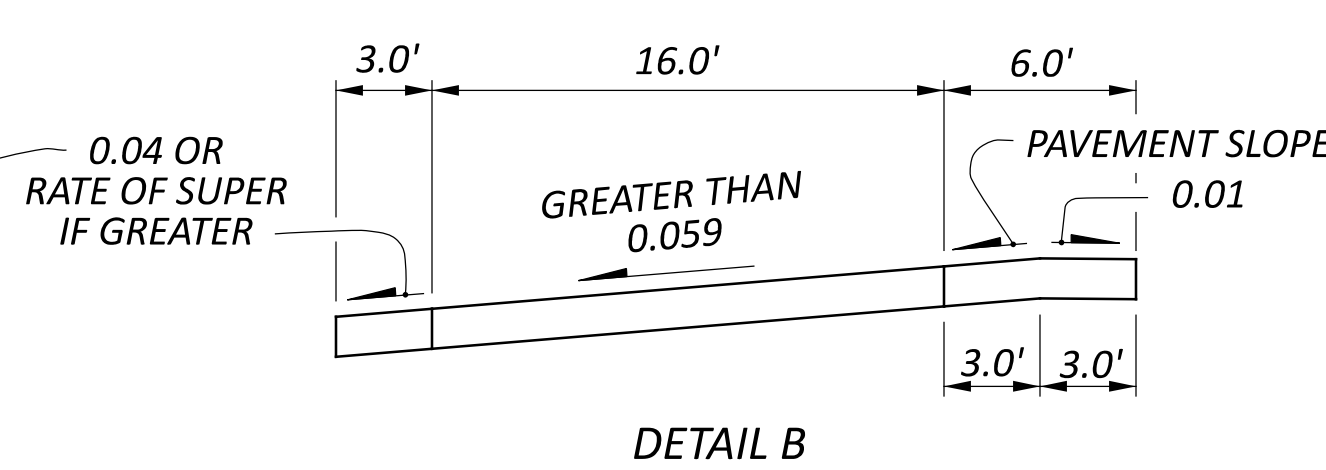
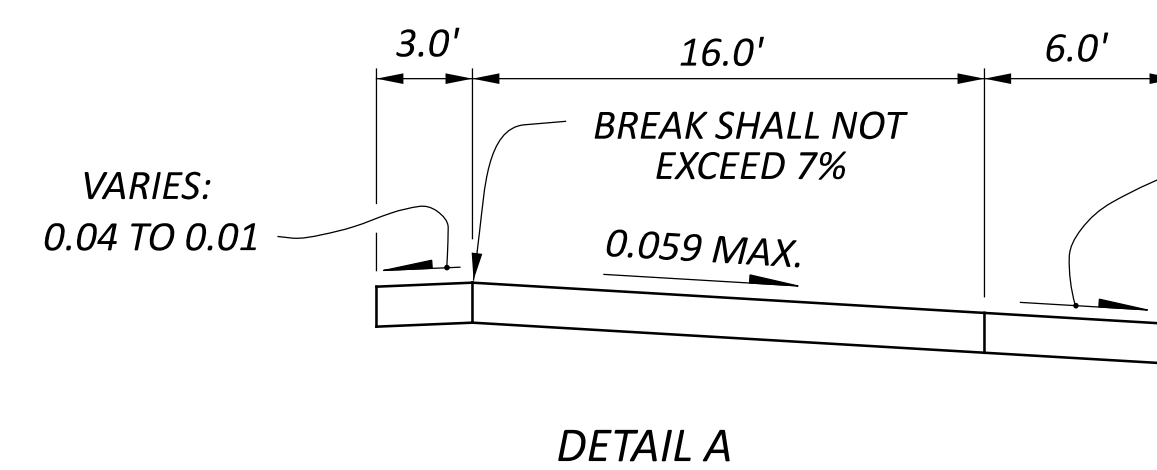
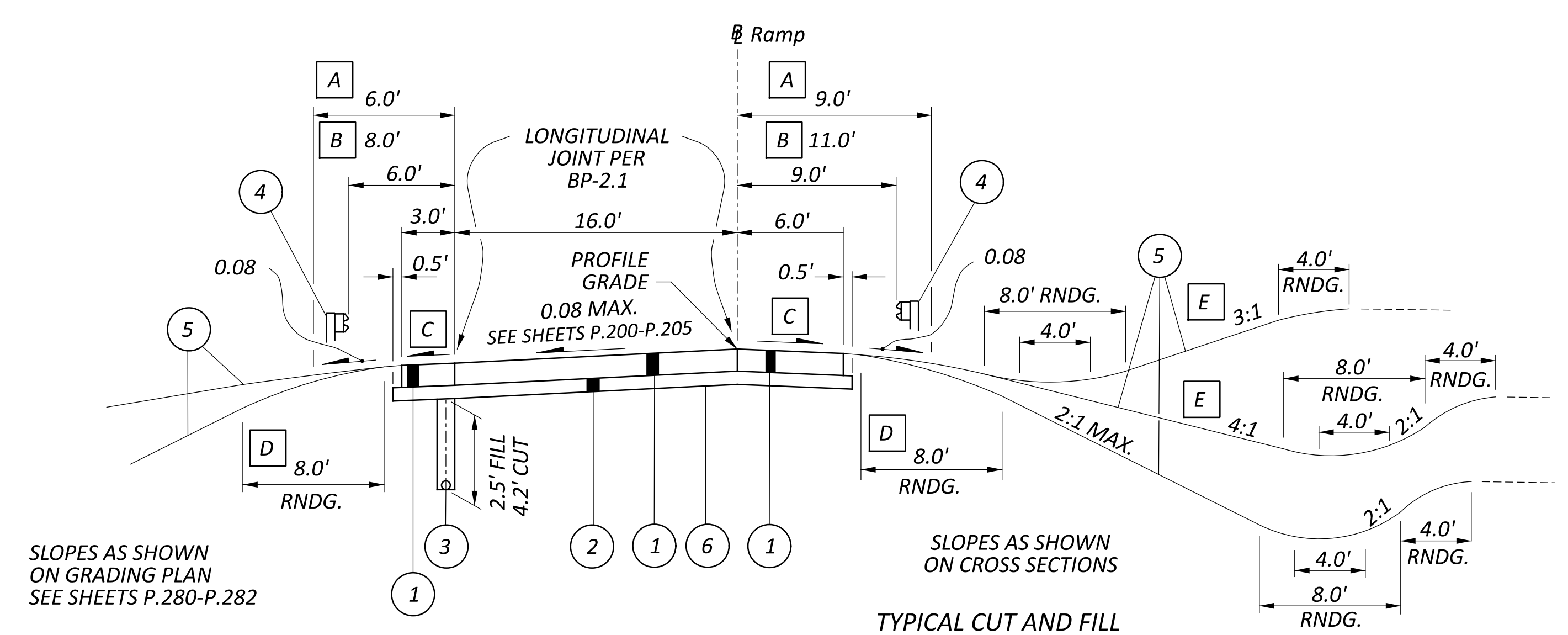
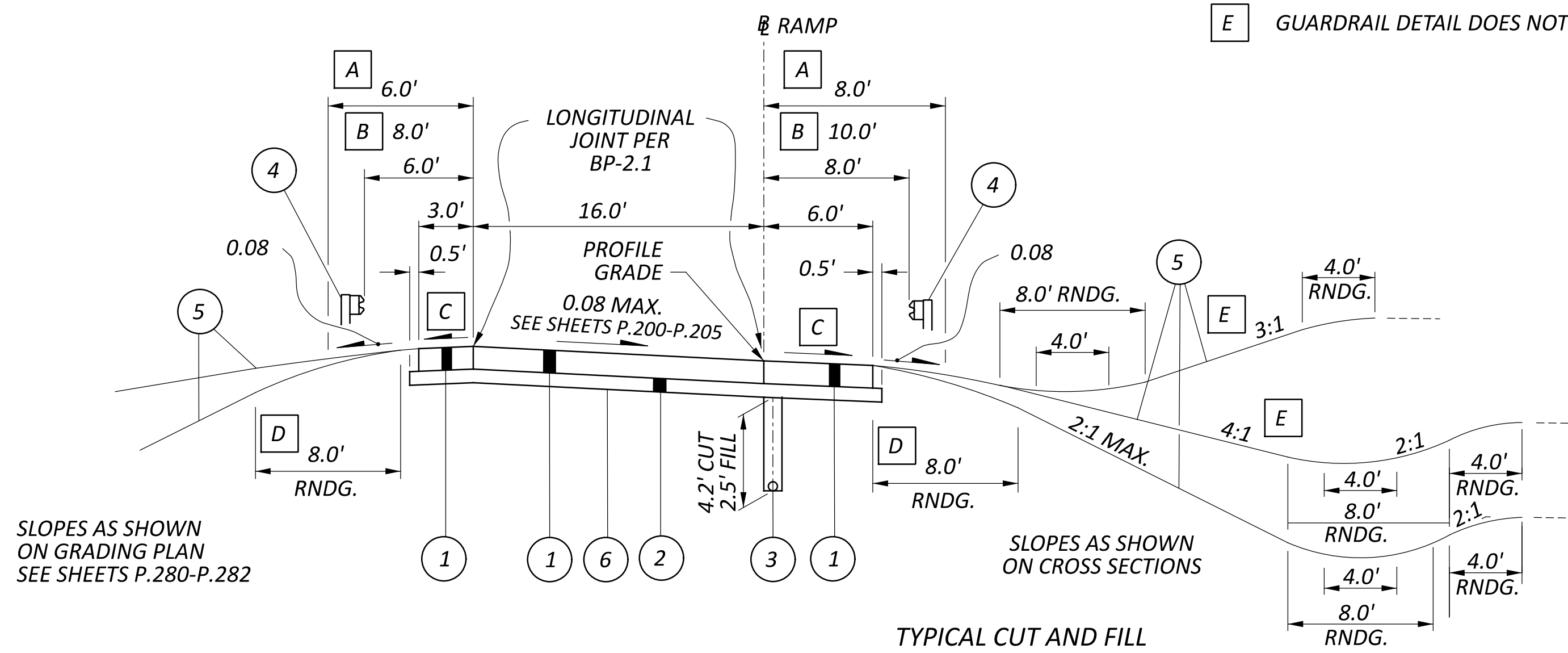


- A** WHEN FORESLOPE IS 6:1 OR FLATTER
- B** FOR GUARDRAIL SECTIONS AND NON-GUARDRAIL SECTIONS WITH FORESLOPE STEEPER THAN 6:1
- C** SEE DETAILS "A" AND "B"
- D** 4' ROUNDING ON GUARDRAIL SECTIONS; NO ROUNDING REQUIRED WHEN FORESLOPE IS 6:1 OR FLATTER.
- E** GUARDRAIL DETAIL DOES NOT APPLY



FOR LEGEND, SEE SHEET P.9

TYPICAL SECTIONS
 RAMPS A, B, C, D, E, & F

MAD-86-10.64

MODEL: SP1304-6b PAPER SIZE: 34x22 (in.) DATE: 1/17/2025 TIME: 8:00:00 AM
 pw:\chicof-pw.bentley.com\chicofdot-pw-02\Documents\03_Standards\Sample Plans\02_Working\SP1304-6b.dgn

DESIGN AGENCY

XYZ
 Planning • Engineering • Surveying

DESIGNER
 MHH
 REVIEWER
 PMH 01/17/25
 PROJECT ID
 130406
 SHEET TOTAL
 P.10 306