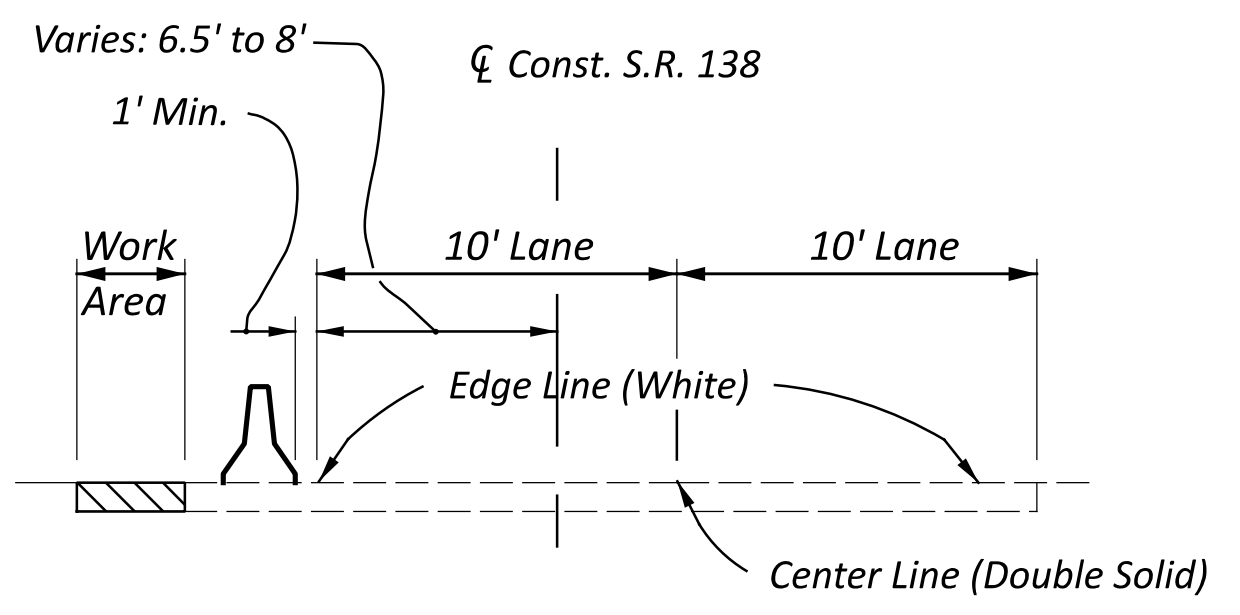
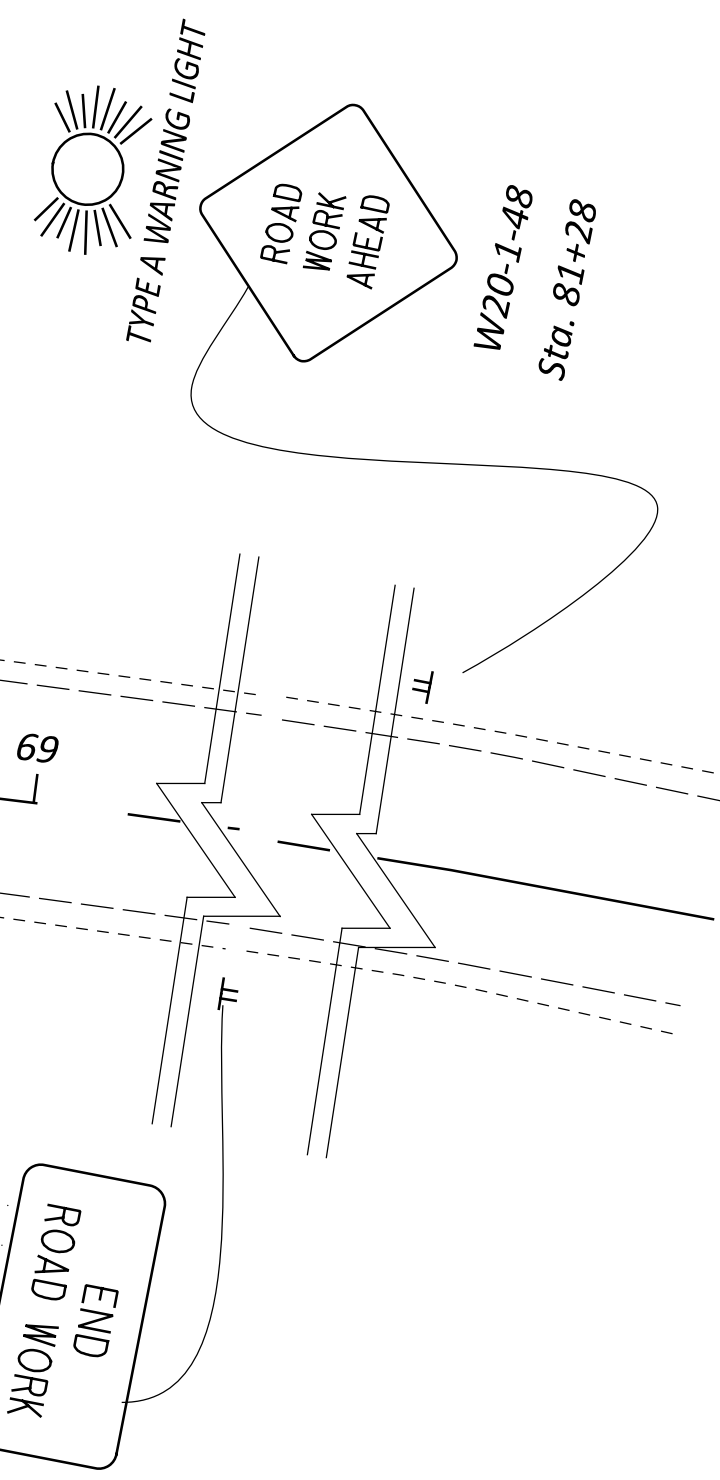
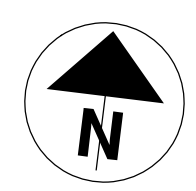
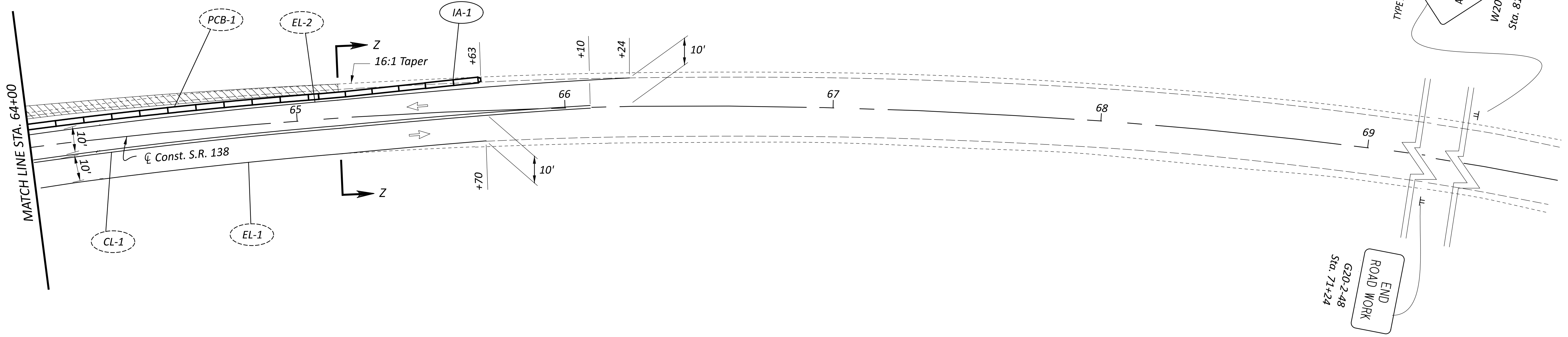


LEGEND

- Portable Barrier, Unanchored
- Area to be Constructed
- Direction of Traffic



REF No.	Station to Station	SIDE	614					622
			REMOVE AND REPLACE IMPACT ATTENUATOR	BARRIER REFLECTOR, TYPE 1 (BIDIRECTIONAL)	OBJECT MARKER, TWO WAY	WORK ZONE CENTER LINE, CLASS 1, 740.06, TYPE 1 (DOUBLE SOLID)	WORK ZONE EDGE LINE, CLASS 1, 6", 704.06, TYPE 1 (WHITE)	PORTABLE BARRIER, UNANCHORED
			EACH	EACH	EACH	MILE	MILE	FT
CL-1	59+00 to 66+10	Rt.				0.13		
EL-1	59+00 to 65+70	Rt.					0.13	
EL-2	59+00 to 66+24	Lt.					0.14	
PCB-1	59+00 to 65+38	Lt.		14	14		638	
IA-1	65+38 to 65+63	Lt.	1					
TOTALS CARRIED TO SUBSUMMARY			1	14	14	0.13	0.27	638



MAINTENANCE OF TRAFFIC PHASE FIVE
STA. 59+00 TO STA. 71+60

DESIGN AGENCY	
DESIGNER	DAN
REVIEWER	DEK 01/17/25
PROJECT ID	130604
SHEET TOTAL	P.44 208