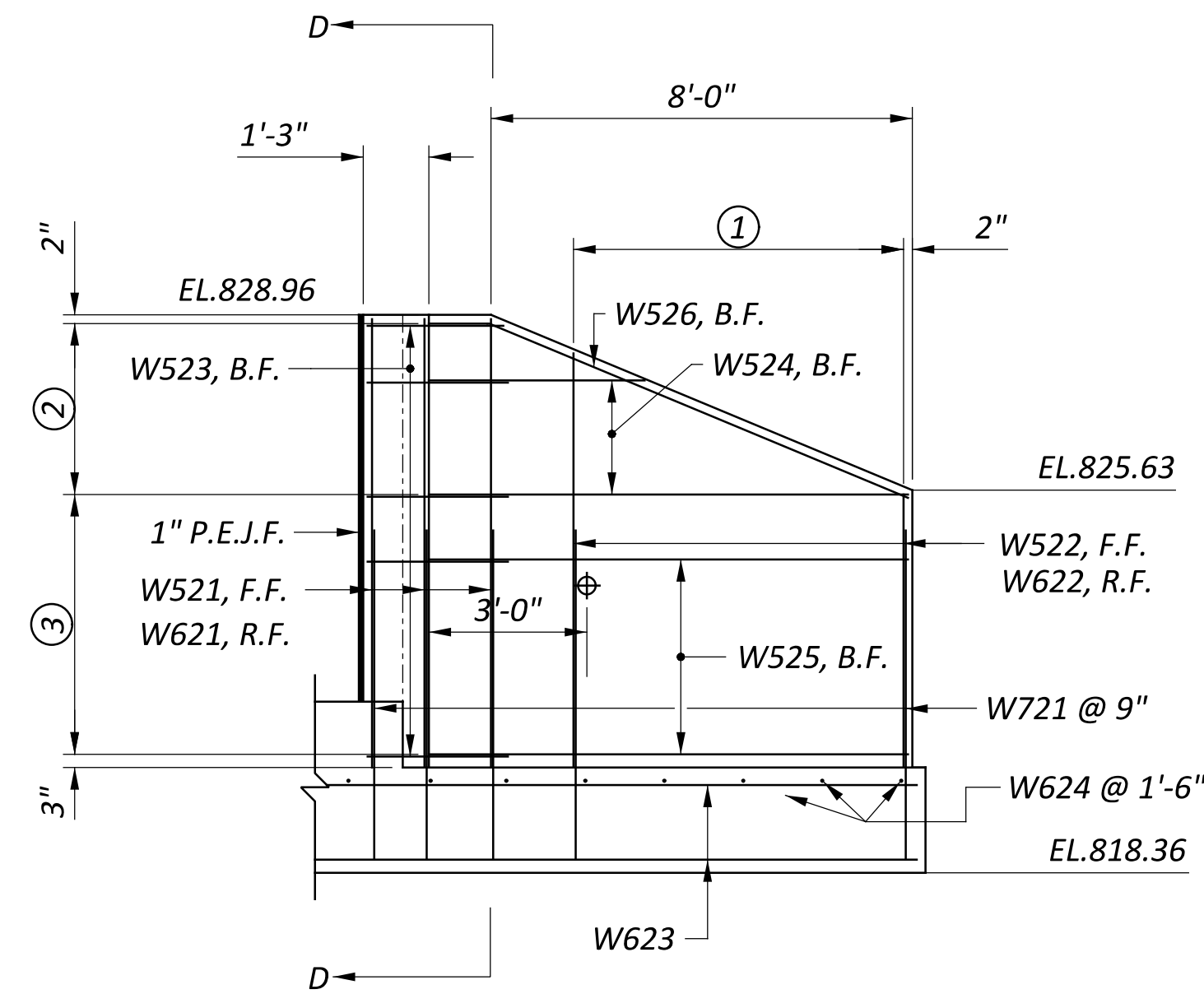


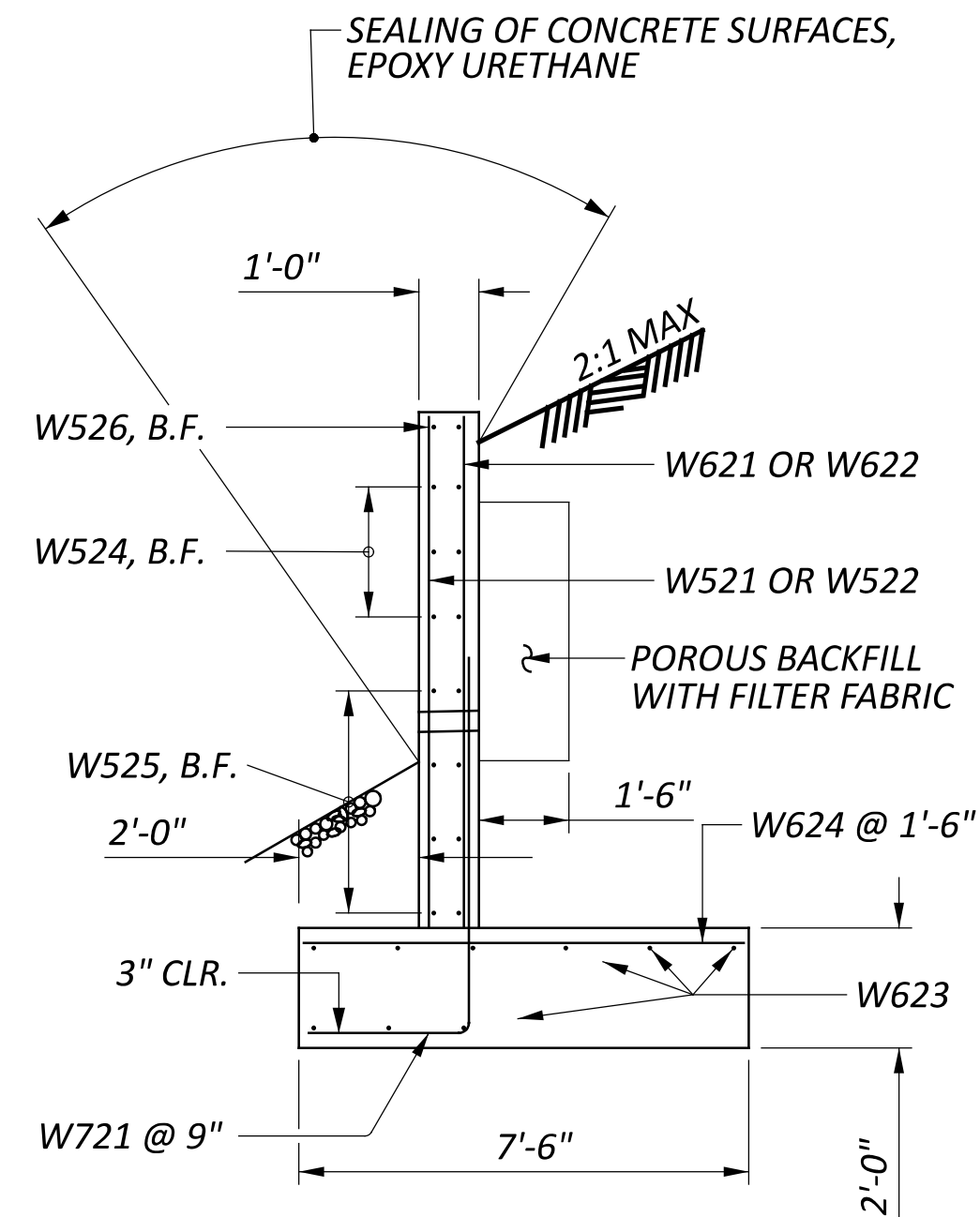
LEGEND:
F.F. = FRONT FACE
R.F. = REAR FACE
B.F. = BOTH FACE



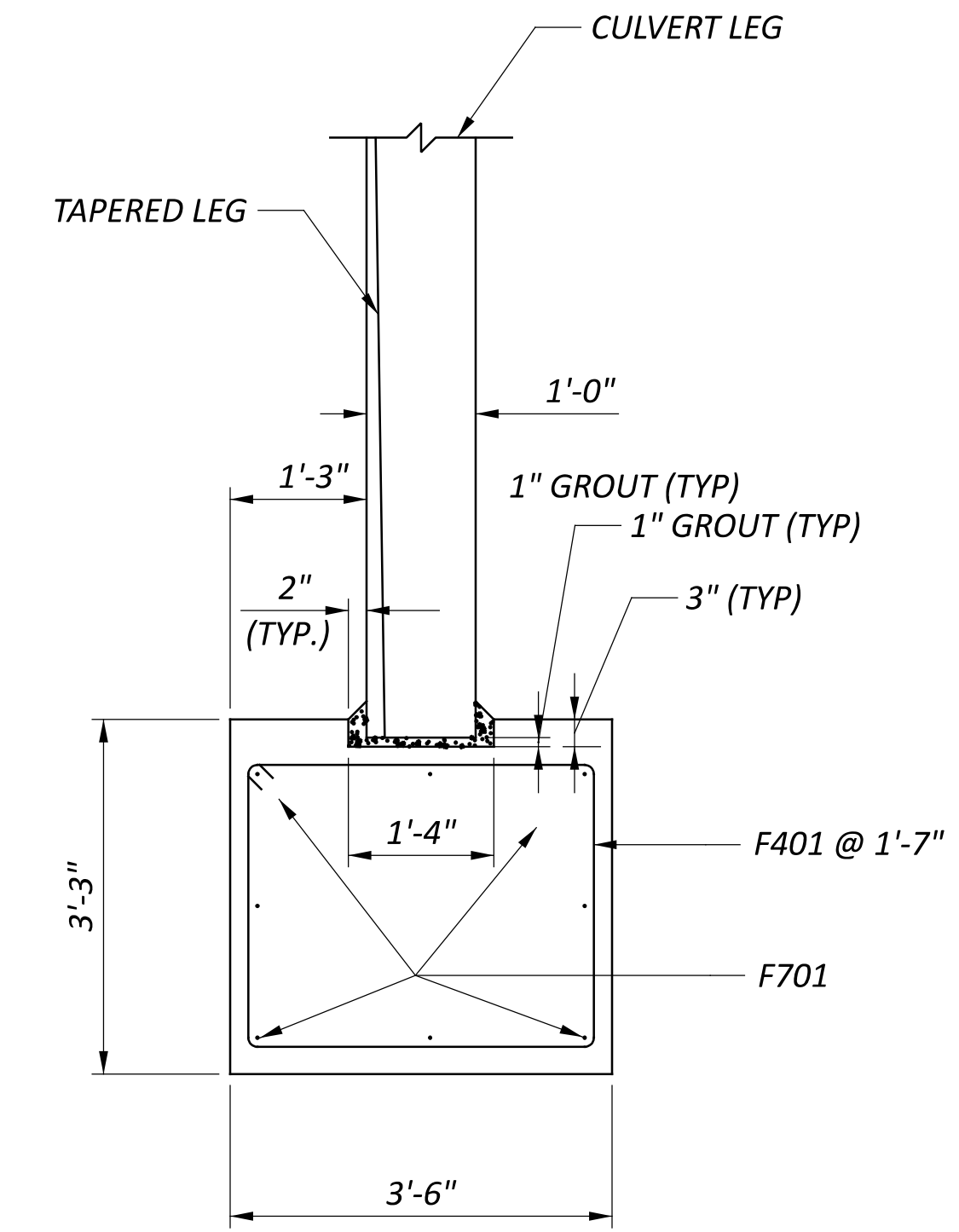
WINGWALL 2 ELEVATION

NOTE: 4" DIA. WEEPHOLE
ELEV. = 823.65

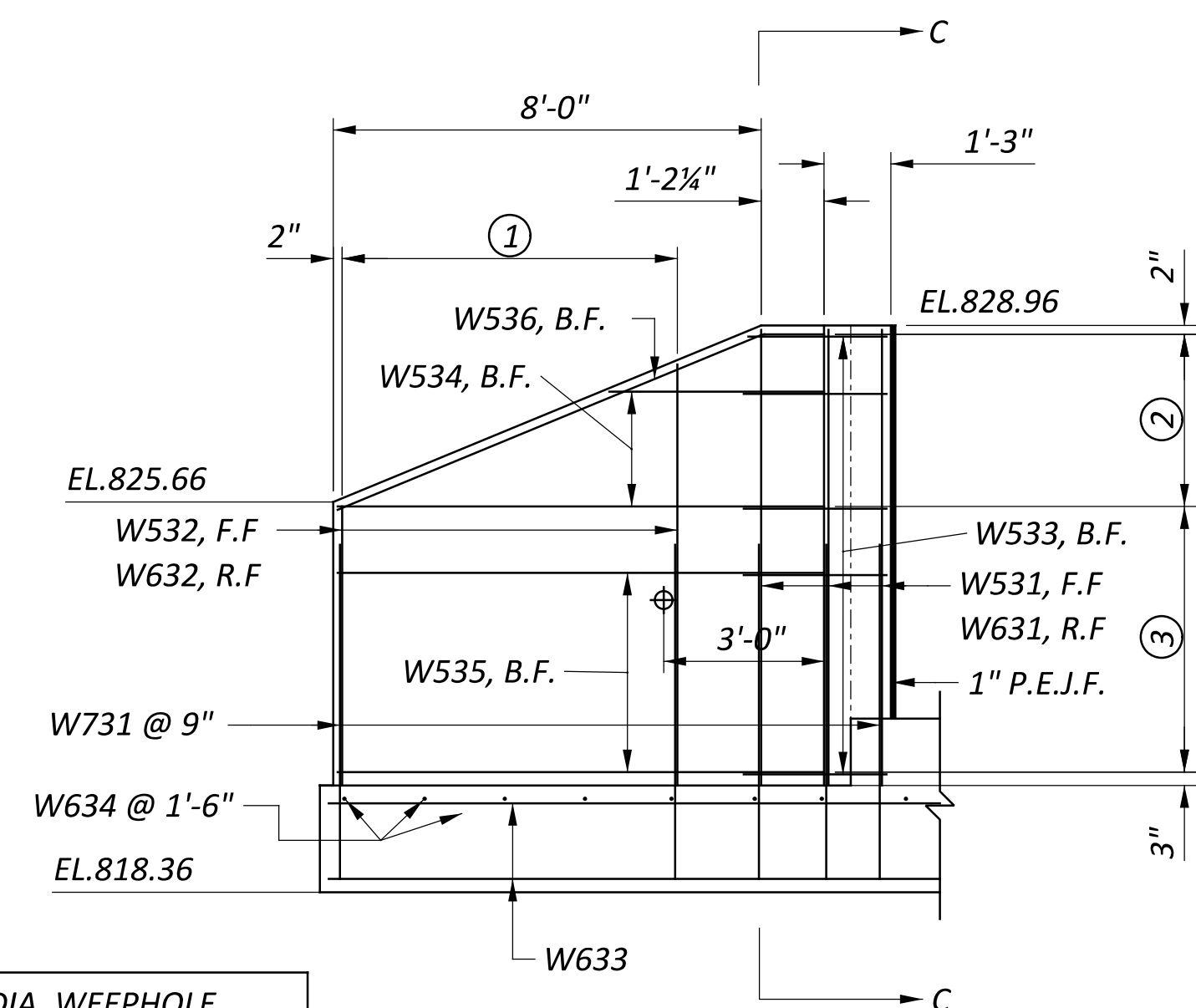
- ① SER. OF 5 @ 1'-6"
- ② 3 SPACES @ 1'-1"
- ③ 4 SPACES @ 1'-2 3/4"



SECTION D-D



CULVERT FOOTING SECTION



WINGWALL 3 ELEVATION

NOTE: 4" DIA. WEEPHOLE
ELEV. = 823.66

- ① SER. OF 5 @ 1'-6"
- ② 3 SPACES @ 1'-0 3/4"
- ③ 4 SPACES @ 1'-3"



SECTION C-C