

SPECIAL PROVISIONS

WATERWAY PERMITS CONDITIONS

C-R-S: D01-BM-FY24

PID: 107768

Date: 12/20/23

1. Waterway Permits Time Restrictions:

Nationwide Permit 3 (Maintenance) is authorized for the following bridge locations under D01-BM-FY24, PID 107768: **VAN-118-5.98 and WYA-199-8.21**. A copy of Nationwide Permit 3 shall be kept at these work sites at all times and made available to all contractors and subcontractors. The permit is effective starting: December 20, 2023. The permit expires: March 14, 2026.

For authorized work in aquatic resources (including streams, wetlands, jurisdictional ditches, captured streams, lakes, ponds), the Department will consider the Contractor’s submission of a reauthorization to the waterway permit expiration date based on project constraints. If more than one permit is authorized for the project, then all permits become invalid once the first permit expires. In order for the request to be considered, the Contractor must submit a justification to the Engineer at least 90 days prior to the waterway permit expiration date. The Engineer will submit the request for a time extension to the Ohio Department of Transportation, Office of Environmental Services, Waterway Permits Unit (ODOT-OES-WPU) for consideration and coordination with the U.S. Army Corps of Engineers (USACE), Ohio Environmental Protection Agency (OEPA), U.S. Coast Guard (USCG), U.S. Fish and Wildlife Service (USFWS), and Ohio Department of Natural Resources (ODNR) as appropriate.

2. Deviations From Permitted Construction Activities:

No deviation from the requirements for work in aquatic resources depicted in the plans, Special Provisions, and/or Working Drawings may be made unless a modification has been submitted to ODOT-OES-WPU and approved by the appropriate agencies (i.e., USACE, OEPA, USCG, ODNR, and USFWS).

For emergency situations resulting in unanticipated impacts to aquatic resources, provide notification (verbal or written) to the Engineer as soon as possible following discovery of the situation. Written notification to the Engineer and notification to the ODOT-OES-WPU (614-466-2159) must be made within 24 hours.

For non-emergency situations, notify the Engineer in writing for submission to the ODOT-OES-WPU (614-466-2159) for consideration and coordination with the appropriate agencies. Notification must be made at least 90 days prior to planned, non-permitted activities. Consideration of the requested deviation is at the discretion of the Director and must be coordinated with the appropriate regulatory agencies.

3. In-Stream Work Restrictions:

Work in the following aquatic resources is further restricted as follows:

Stream Name/Description	Location	Work restriction dates (No in-stream work permitted)
Town Creek	VAN-118-5.98	None
UNT to Little Tymochtee Creek	WYA-199-8.21	None

UNT = unnamed tributary stream

*Restriction dates do not apply if the stream has been dewatered prior to April 15.

In-stream work has been defined as the placement and/or removal of fill materials (temporary or permanent) below ordinary high water of a stream. Examples of “fill” include, but are not limited to: bridge piers, abutments, culverts, rock channel protection, scour protection, and temporary access fills.

Fills placed within a stream identified in the above table (outside of the work restriction dates) can continue to be worked from during the work restriction dates, but cannot be expanded, removed, or otherwise modified (below ordinary high water) until once again outside of the work restriction dates.

4. Materials:

Materials utilized in or adjacent to aquatic resources for temporary or permanent fill or bank protection shall consist of suitable material free from toxic contaminants in other than trace quantities. Asphalt products are specifically excluded for use as fill. Chromated Copper Arsenate (CCA), creosote, and other pressure treated lumber shall not be used in structures that are placed in aquatic resources.

5. Cultural Resources:

Per CMS 107.10, if archeological sites, historical sites, or human remains are discovered, cease all work in the immediate area and notify the Engineer who will immediately contact the ODOT-District Environmental Coordinator and ODOT-OES-Cultural Resource Section at 614-466-2159. In the event of human remains are identified by OES-Cultural Resources Section, the Engineer shall also contact the Van Wert County Sheriff’s Office at 419-238-3866 or the Wyandot County Sheriff’s Office at 419-294-2362.

6. Aquatic Resource Demarcation:

The table below includes detailed fill quantities authorized within the aquatic resources. Exhibits showing aquatic resources authorized for impact are attached to these Special Provisions. Aquatic resources not authorized for impact by these Special Provisions shall be demarcated in the field as per SS 832 prior to site disturbance. The fence shall remain in place and be maintained throughout the construction process. Following the completion of the project, the fence and posts shall be removed.

Resource ID	Resource Location	Impact Location	Temporary Impact Amount	Permanent Impact Amount	Total Impact Amount
Town Creek	VAN-118-5.98	STA 317+91-318+13	113 feet (0.06 acre)	60 feet (0.03 acre)	113 feet (0.06 acre)
UNT to Little Tymochtee Creek	WYA-199-8.21	N/A	40 feet (0.012 acre)	0 feet (0 acre)	40 feet (0.012 acre)
Wetland 1	WYA-199-8.21	N/A	0	0.004	0.004
Wetland 2	WYA-199-8.21	N/A	0	0.005	0.005

7. Spill containment:

Provide and Maintain an Oil Spill Kit with a minimum capacity of 65 gallons. The Spill Kit shall contain:

- 6 - 3 in. X 8 ft. Oil only socks
- 4 - 18 in. X18 in. Oil only pillows
- 2 - 5 in. X 10ft. Booms
- 50 - 16in. X 20 in. Oil only pads
- 10- Disposable Bags
- 1 - 65 Gallon drum with lid

- 25 pounds of Granular Oil Absorbent

The Oil Spill Kit shall be located within 150 feet of any equipment working in a stream or wetland. The oil Spill Kit shall be maintained for the life of the contract. Any materials utilized during the project will be replaced within 48 hours. All costs associated with furnishing and maintaining the above referenced spill containment kit is incidental to work.

8. Blasting:

State law requires notification to the Ohio Department of Natural Resources should blasting be required within or near stream channels (See ORC 1533.58 & CMS 107.09). Notify the Engineer, in writing, a minimum of 30 days in advance of blasting, for submission to ODOT-OES-WPU (614-466-2159) for coordination with ODNR.

9. Project Inspection:

Inspection of Work may include inspection by representatives of other government agencies or railroad corporations that pay a portion of the cost of the Work or regulate the Work through State and Federal law. Comments from the representatives of these agencies shall be directed to the Engineer who will immediately contact the ODOT-District Environmental Coordinator and ODOT-OES-WPU at 614-466-2159.

10. Temporary Access Fills:

Special Provisions Notes:

Definitions:

Hydraulic Opening

The cross-sectional area allowing an unimpeded discharge equal to twice the highest monthly flow without producing a rise in the backwater above the Ordinary High Water Mark (OHWM).

Standard Temporary Discharge

Discharge equal to twice the *highest monthly flow* without producing a rise in the backwater above the OHWM. The U.S. Geologic Service publication “Techniques for estimating Selected Streamflow Characteristics of Rural Unregulated Streams in Ohio” provides equations that estimate monthly flow for Ohio Waterways These flows are also available in a web application by USGS StreamStats, (<https://water.usgs.gov/osw/streamstats/ohio.html>). The highest monthly flow is the highest monthly mean discharge occurring in a 12-month period from January to December.

Average Monthly Flow

The average monthly flow represents the estimated “normal” flow.

Temporary Access Fills (TAFs)

Include, but are not limited to, dewatering fills, causeways, cofferdams, access pads, temporary bridges, etc. below the OHWM.

Requirements

21 calendar days prior to the initiation of any in-stream work, provide the Engineer with Working Drawings that include:

- Plan view drawing (50 scale or less) showing the location of all TAFs proposed for use on the project
- Scaled cross section and profile drawing showing the OHWM and the proposed hydraulic opening.
- Identify the minimum diameter size, placement location and thickness of non-erodible Dumped Rock Fill material on the plan and profile.
- Calculations analyzing the hydraulic impacts of the TAF on the waterway. Include in the calculations an analysis of the hydraulic opening sized adequately to pass the Standard Temporary Discharge without producing a rise in backwater above the OHWM. Include, in the analysis, calculated channel velocities adjacent to the TAF, culvert exit velocities, calculated headwater and tailwater elevations, and any additional appropriate calculations to assess potential impacts to the waterway during normal and anticipated high flow (twice the highest monthly flow) events.
- A description of all temporary material to be placed below the OHWM elevation.
- A description of the installation and staging of all temporary fill over the life of the contract.
- Identify the protection methods and/or structural Best Management Practices for minimizing impacts to the waterway.
- Volume of temporary fill below the OHWM elevation.
- A description of the diversion ditches, equipment, conduits or means for maintaining normal flows in the waterway.
- A description of the removal of all temporary fill and restoration of the channel and all areas impacted by the TAFs.
- A schedule outlining the timing of the placement and removal of all temporary fill.
- Have competent individuals prepare and check the Working Drawings and hydraulic calculations. Provide a cover sheet containing the preparer(s) and checker(s): First Name, Last Name and Initials. The preparer(s) and checker(s) shall not be the same individual. Have an Ohio Registered Engineer review, approve, sign, seal and date the Working Drawings and hydraulic calculations according to ORC 4733 and OAC 4733-35. Include the following statement on the Working Drawings: “These Working Drawings were prepared in compliance with the terms of these Special Provisions and all contract documents.”

Do not begin in-stream work until the Engineer has accepted the Working Drawings and hydraulic calculations.

The design and construction of the Contractor’s TAF must minimize impacts to water bodies, stream banks, stream beds, and riparian zones to the maximum extent practicable.

Fording of waterways and other aquatic resources is prohibited.

Construct TAFs in such a manner that will maintain flows, minimize upstream flooding, and avoid overtopping the TAF on a regular basis. ***TAFs shall be designed and constructed so that the hydraulic opening provides capacity for a discharge equal to twice the highest monthly flow without producing a rise in the backwater above the (OHWM).***

If the Contractor proposes a TAF which does not meet all the requirements of these Special Provisions, the Contractor must submit a request in writing for a modified TAF to the Engineer. The request must include all Working Drawings and hydraulic calculations required by these Special Provisions. The Department makes no guarantee to grant the request. The Contractor’s proposed TAF request will be coordinated by OES with the USACE and the OEPA, as appropriate. The time frame allowed for the coordination of the contractor’s proposed TAF will be a minimum of 60 days.

Installation of any temporary fill without appropriate authorization is strictly prohibited. All direct coordination with the USACE and/or OEPA will be performed through OES.

TAFs Construction and Payment

A full width causeway is not permitted for Town Creek (VAN-118-5.98). Maintain an unobstructed channel width of 8-feet in Town Creek at all times.

Begin planning and installing causeways and access fills as early in construction as possible to avoid conflicts with these Special Provisions or other environmental commitments that have been included in the construction plans.

TAFs in Streams and Rivers may include, but are not limited to, causeways, cofferdams, access pads, sheet piling, temporary bridges, etc. The Contractor must make every attempt to minimize disturbance to waterbodies, stream banks, stream beds and riparian zones during the construction, maintenance, and removal of the TAF. Construct the TAFs as narrow as practical. Install in-stream conduits parallel to the stream banks. Make the TAFs in shallow areas rather than deep pools where possible. Minimize clearing, grubbing, and excavation of stream banks, and approach sections. Construct the TAFs as to not cause erosion or allow sediment deposits in the waterway.

Prior to the initiation of any in-stream work, establish a monument upstream of the proposed TAF to visually monitor the water elevation in the waterway where the fill is permitted. Maintain the monument throughout the project. Provide a visual mark on the monument that identifies the elevation 1 foot above the OHWM. Ensure that the monument can be read from the bank of the waterway. Have this elevation set and certified by an Ohio Registered Surveyor. All costs associated with furnishing and maintaining the above referenced monument is incidental to the work.

Should the surface water elevation exceed the elevation 1 foot above OHWM, the Department will compensate the Contractor for repair of any resulting damage to the TAF up to the elevation of 1 foot above the OHWM, except as noted. The Department will recognize this event as an excusable, non-compensable delay in accordance with Section 108.06 B. of the Construction & Materials Specifications.

Follow the requirements in Item 502 for Structures for Maintaining Traffic and in Item 503 for Cofferdams and Excavation Bracing and any modifications to these items as shown in the plans. The Department will not pay for repair and maintenance of TAFs associated with Items 502 and 503 as a result of surface water elevation exceeding 1 foot above the OHWM. Compensation for damages associated with waterway flows will be provided as described in Items 502 and 503.

Construct the TAFs, not including Items 502 and 503, to a water elevation at least 1 foot (0.3 m) above the OHWM. If more than one-third the width of the stream is filled, then use culvert pipes to allow the movement of aquatic life. Ensure that any ponding of water behind the TAF will not damage property, flood roadways, or threaten human health and safety.

The following minimum requirements apply to TAFs where culverts are used.

- A. Furnish culverts on the existing stream bottom.
- B. Avoid a drop in water elevation at the downstream end of the culvert that would result in an adverse impact to the waterway.
- C. Furnish a sufficient number of culverts in addition to stream openings to provide a discharge equal to twice the highest monthly flow without producing a rise in the backwater above the OHWM.
- D. Furnish culverts with a minimum diameter of 18 inches (0.5 m).

All TAFs must be constructed of suitable materials. Causeways and access fills must be encapsulated with clean, non-erodible, nontoxic Dumped Rock Fill, Type A, B, C, or D, meeting the requirements of C&MS 703.19.B. Causeways and access fills in Town Creek (VAN-118-5.98) must be encapsulated with clean, non-erodible, nontoxic Dumped Rock Fill, Type A, B, or C, meeting the requirements of C&MS 703.19.B. Utilize appropriately sized Dumped Rock Fill determined by the Contractor's engineer for encapsulating the sides of the TAF. Encapsulate all sides of the TAF with the non-erodible material. For causeways, contractors may use clean aggregate meeting C&MS 703.01 Size Number 1 and 2 for creating

a working surface above the OHWM. Extend the non-erodible encapsulating material to at least the elevation of the top of the working surface. Extend clean aggregate up the slope from the original stream bank for 50 feet (10 m) to remove erodible material and prevent tracking from equipment onto the TAF.

When the work requiring TAF is complete, all portions of the TAF (including all rock and culverts) will be removed in its entirety. Do not dispose of TAF material in other aquatic resources or where erosion into another aquatic resource is possible. The stream bottom affected by the TAFs will be restored to its pre-construction elevations. The TAFs will not be paid as a separate item but will be included by the Contractor as part of the total project cost.

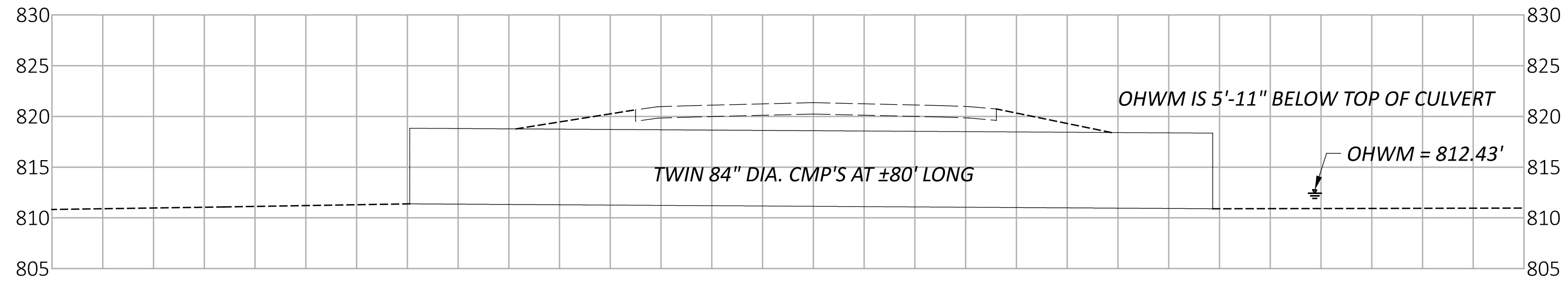
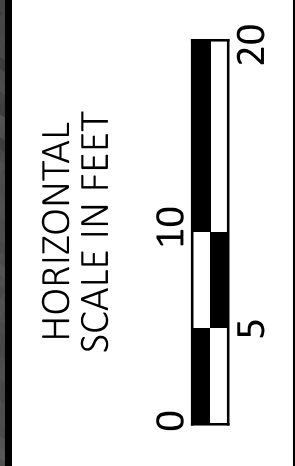
Unless specific TAF compensation is included in the plans, all environmental protection and control associated with the authorized activities, are incidental to the work within the boundaries of the aquatic resources.

11. Excavation Activities:

Excavated material will be placed at an upland site and disposed of in such a manner that sediment and runoff to streams and other aquatic resources is controlled and minimized. Additionally, no more than incidental fallback into aquatic resources is permitted during the excavation process. If any changes to the proposed work are deemed necessary, notify the Engineer who will immediately contact the ODOT-District Environmental Coordinator and ODOT-OES-WPU at 614-466-2159.

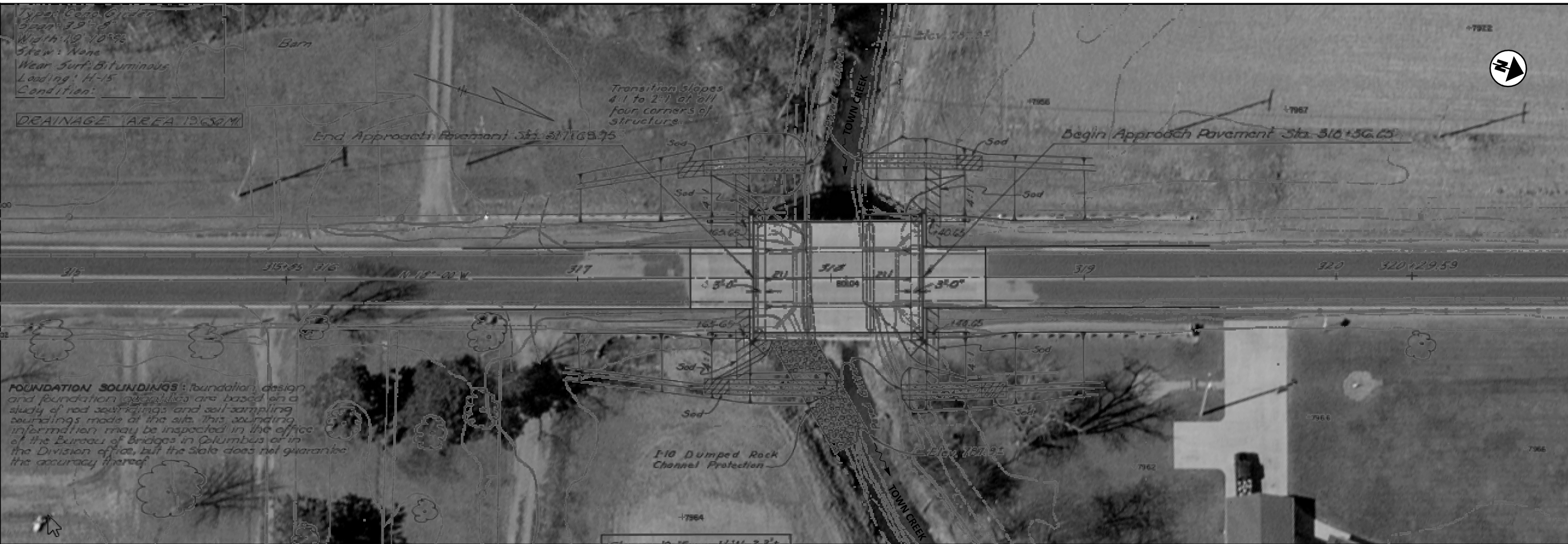
12. Demolition Debris:

The intentional discharge of demolition debris from any structure (including but not limited to bridges, culverts, abutments, wing walls, piers) is not authorized for this project. If any demolition debris inadvertently falls into aquatic resources, it must be removed immediately. Notify the Engineer immediately in writing of any inadvertent fill discharged into aquatic resources. The Engineer will immediately contact ODOT-OES-WPU at 614-466-2159 if any unintentional discharge occurs.

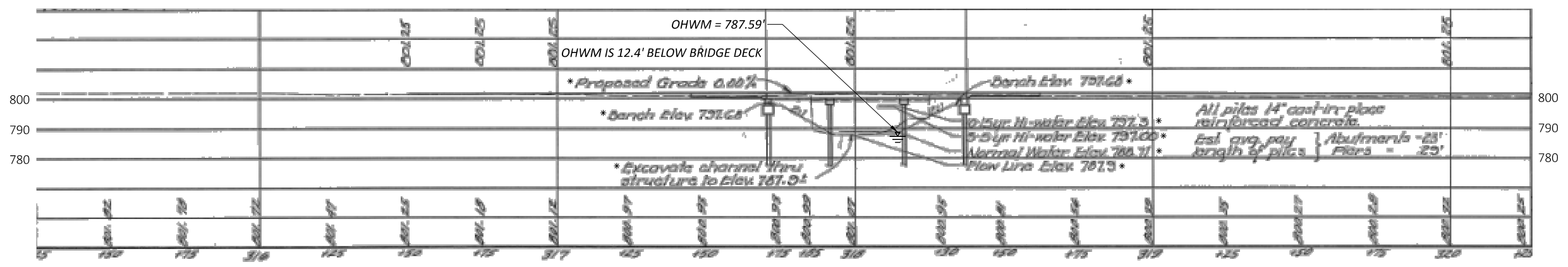


ENVIRONMENTAL SITE PLAN
 BRIDGE NO. WYA-199-08.21
 OVER UT TO LITTLE TYMOCHTEE CREEK

SFN	
8803218	
DESIGN AGENCY	
DESIGNER	CHECKER
MJK	XXX
REVIEWER	
XXX MM-DD-YY	
PROJECT ID	
107768	
SUBSET	TOTAL
0	0
SHEET	TOTAL
P.0	0



FOUNDATION SOUNDINGS: foundation design and foundation quantities are based on a study of rod soundings and soil sampling soundings made at the site. This sounding information may be inspected in the office of the Bureau of Bridges in Columbus or in the Division office, but the State does not guarantee the accuracy thereof.



*TO ADJUST EXISTING NOTED ELEVATIONS FROM NAVD29 TO NAVD88 (PROJECT DATUM) SUBTRACT 0.55± FROM THE NOTED ELEVATION

ENVIRONMENTAL SITE PLAN
 BRIDGE NO. VAN-118-05.98
 OVER TOWN CREEK

SFN	
8101868	
DESIGN AGENCY	
DESIGNER	CHECKER
MJK	XXX
REVIEWER	
XXX MM-DD-YY	
PROJECT ID	
107768	
SUBSET	TOTAL
0	0
SHEET	TOTAL
P.0	0