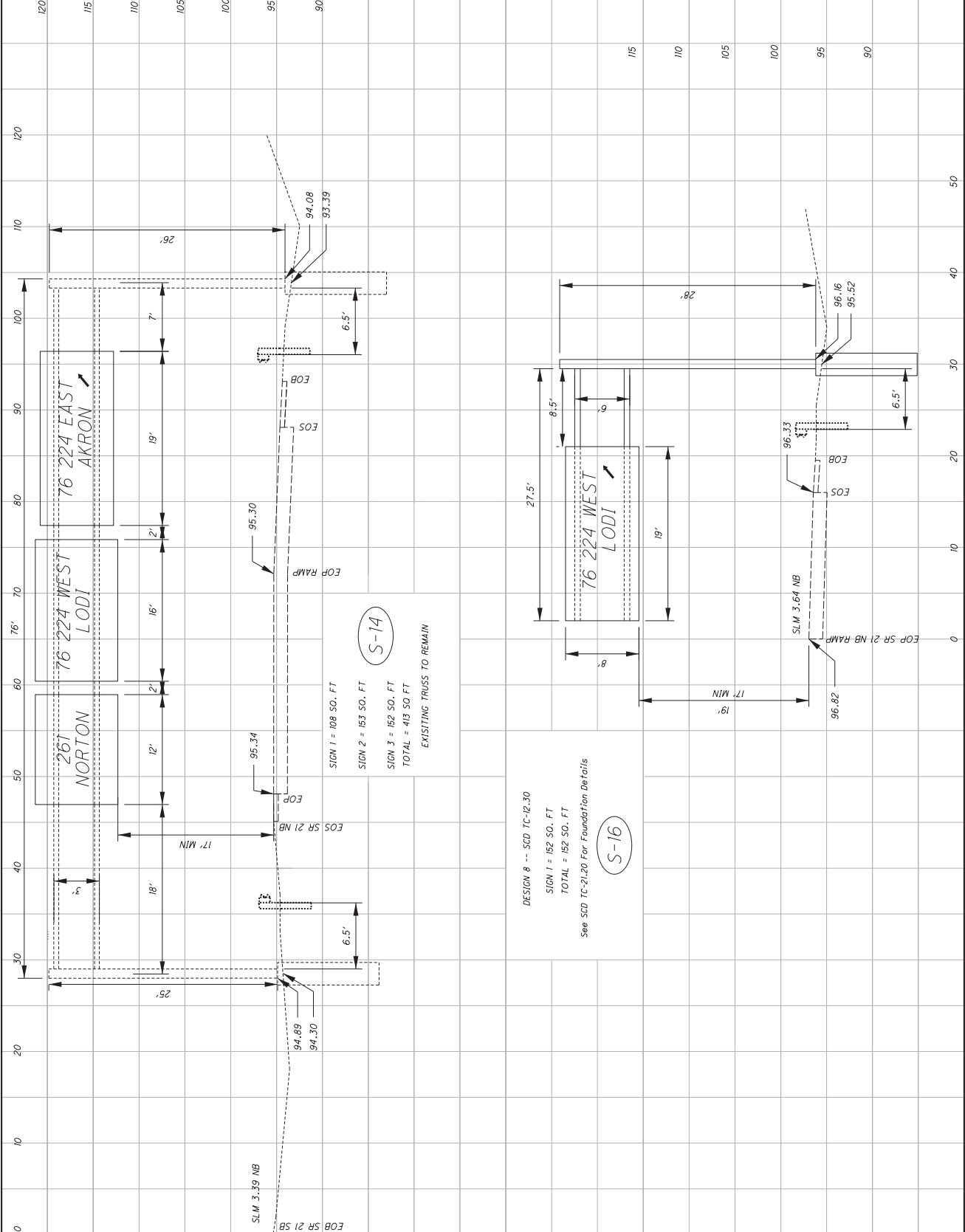
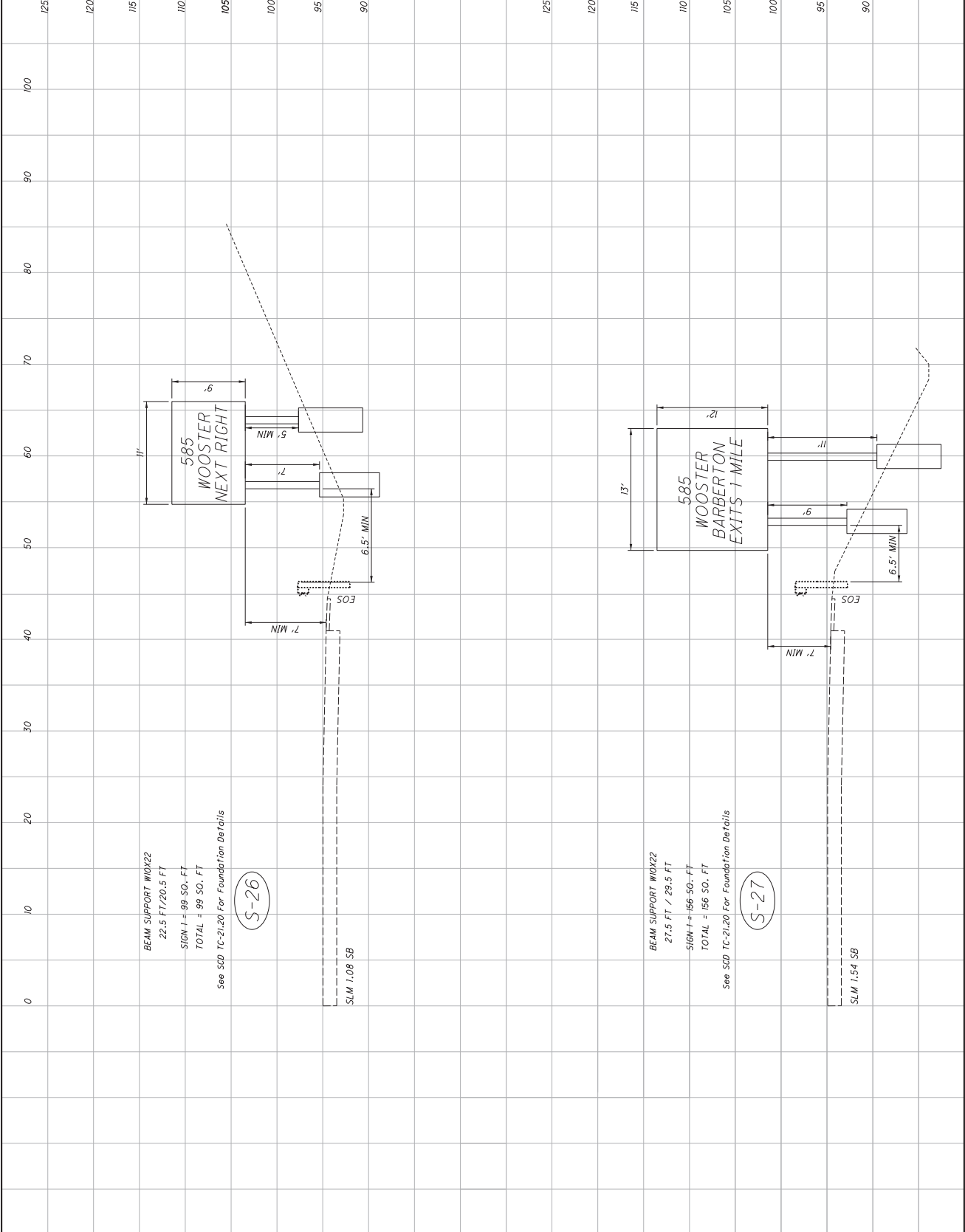


END AREA	VOLUME	
	CUT	FILL
120		
115		
110		
105		
100		
95		
90		



SEEDING	END SO.	WIDTH	YPS.

END AREA	VOLUME	
	CUT	FILL



BEAM SUPPORT W10X22
22.5 FT / 20.5 FT
SIGN H = 99 SO. FT
TOTAL = 99 SO. FT
See SCD Tc-21.20 For Foundation Details

S-26

SLM 1.08 SB

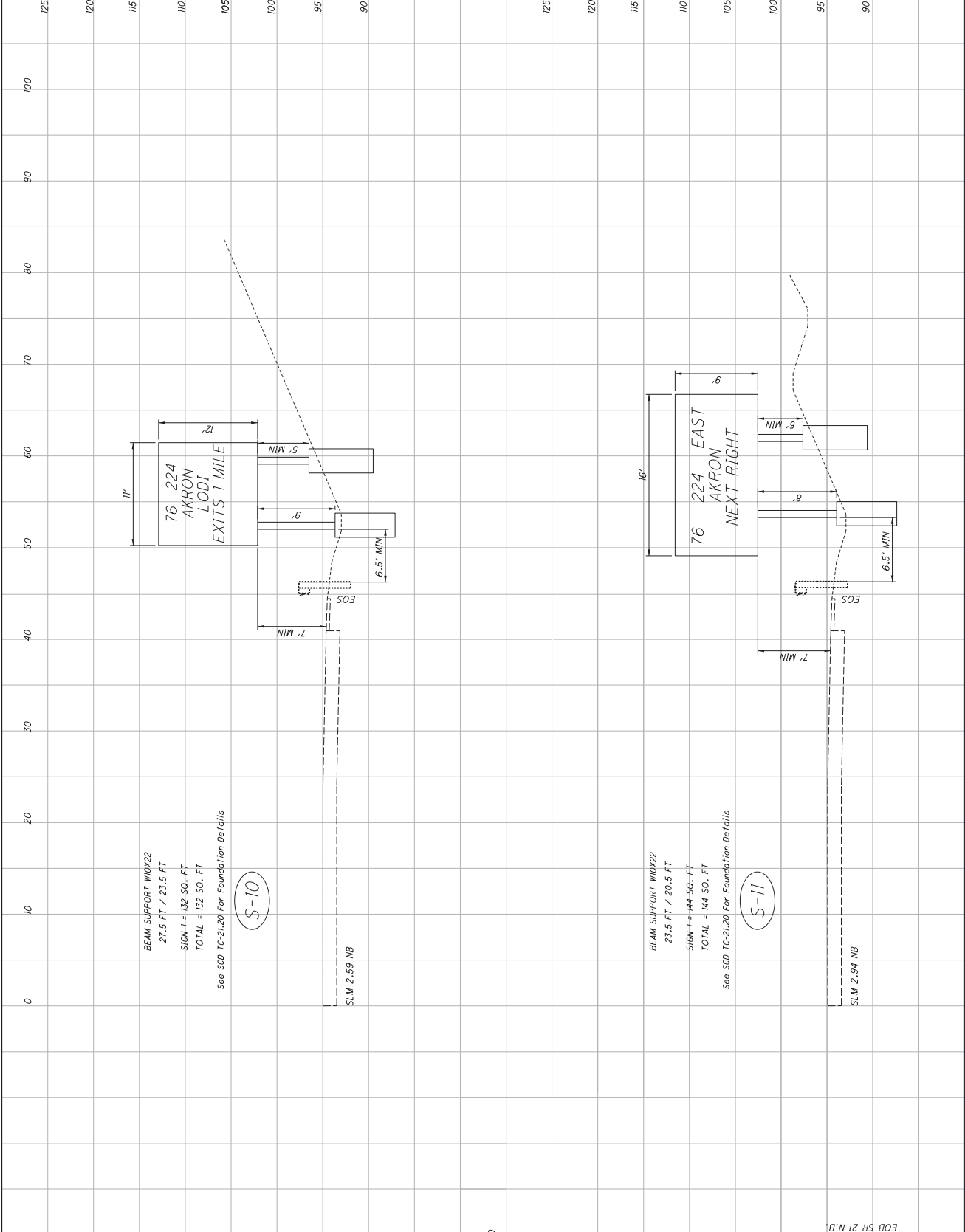
BEAM SUPPORT W10X22
27.5 FT / 29.5 FT
SIGN H = 166 SO. FT
TOTAL = 166 SO. FT
See SCD Tc-21.20 For Foundation Details

S-27

SLM 1.54 SB

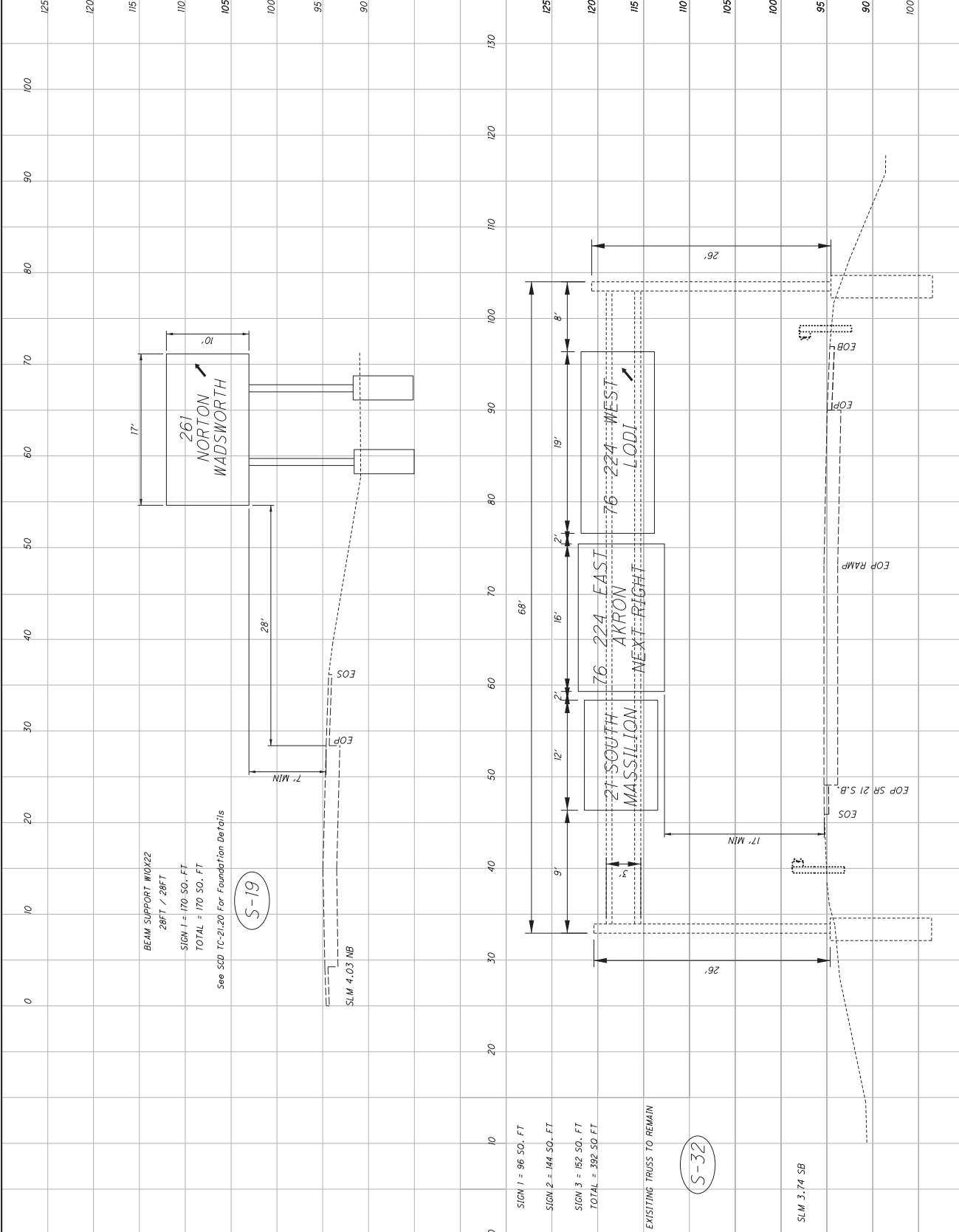
SEEDING	END	SO.	WIDTH	YDS.

END AREA	VOLUME	
	CUT	FILL



SEEDING	END	SO.	WIDTH	YDS.

END AREA	VOLUME	
	CUT	FILL



BEAM SUPPORT W/0X22
28FT / 28FT
SIGN 1 = 170 SQ. FT
TOTAL = 170 SQ. FT
See SCD Tc-21.20 For Foundation Details

S-19

SLM 4.03 NB

SIGN 1 = 96 SQ. FT
SIGN 2 = 144 SQ. FT
SIGN 3 = 162 SQ. FT
TOTAL = 392 SQ. FT

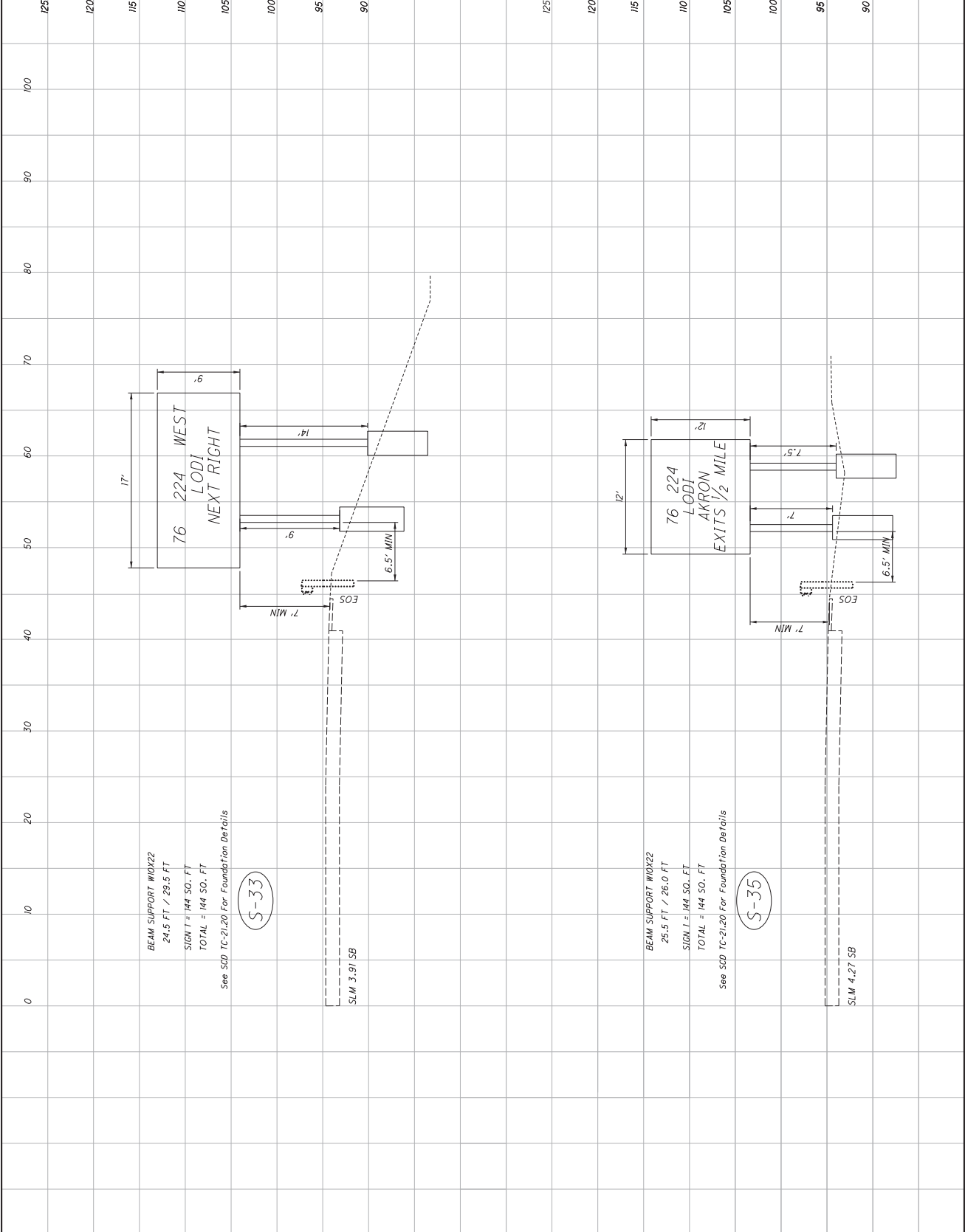
EXISTING TRUSS TO REMAIN

S-32

SLM 3.74 SB

SEEDING	END	SO.	WIDTH	YRS.

END AREA	VOLUME	
	CUT	FILL



BEAM SUPPORT W10X22
24.5 FT / 29.5 FT
SIGN I = 144 SQ. FT
TOTAL = 144 SQ. FT
See SCD Tc-21.20 For Foundation Details

S-33

SLM 3.91 SB

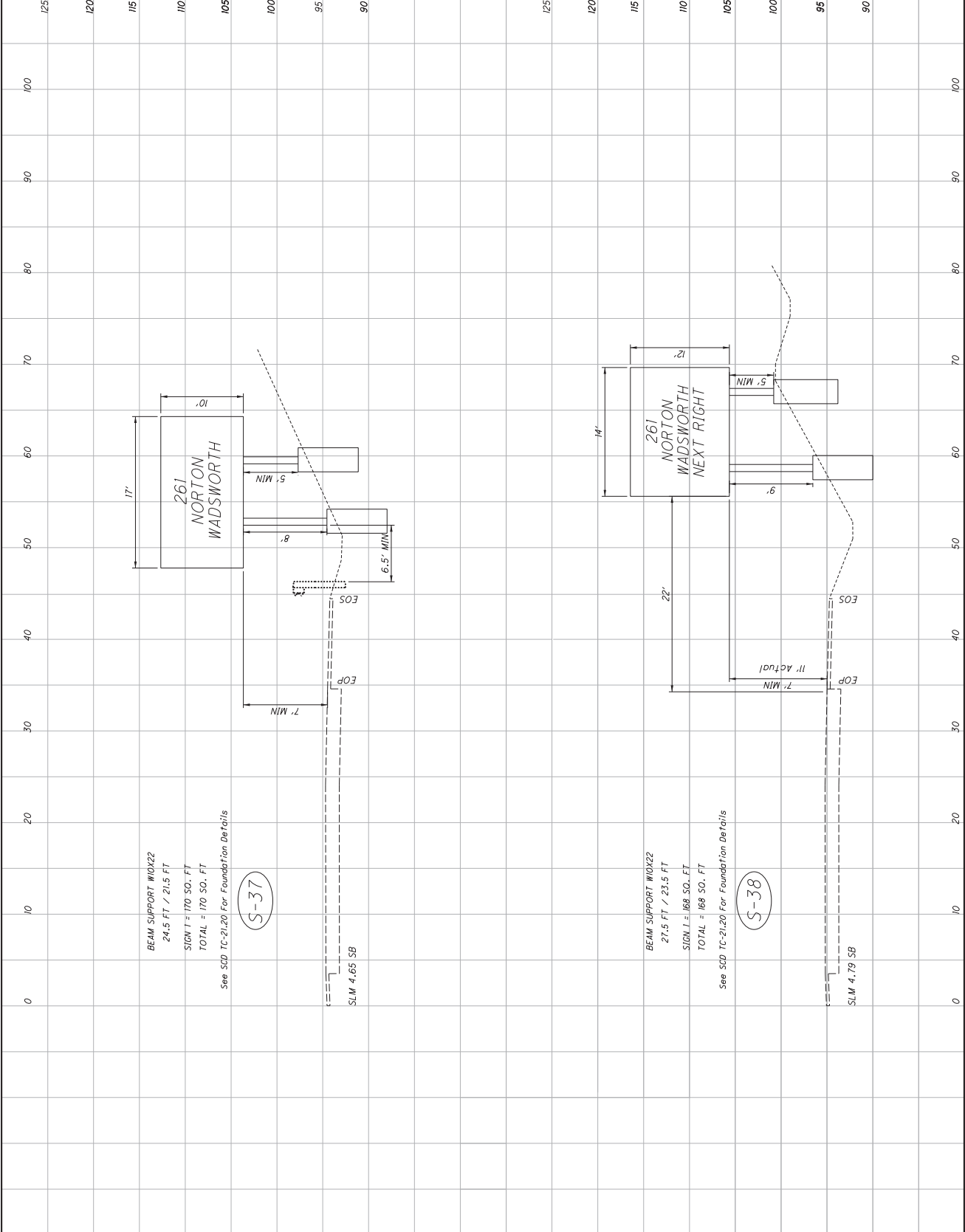
BEAM SUPPORT W10X22
25.5 FT / 26.0 FT
SIGN I = 144 SQ. FT
TOTAL = 144 SQ. FT
See SCD Tc-21.20 For Foundation Details

S-35

SLM 4.27 SB

SEEDING	END	SO.	WIDTH	YRS.

END AREA	VOLUME	
	CUT	FILL



BEAM SUPPORT W10X22
24.5 FT / 21.5 FT
SIGN I = 170 SQ. FT
TOTAL = 170 SQ. FT

See SCD Tc-21.20 For Foundation Details

S-37

SLM 4.65 SB

BEAM SUPPORT W10X22
27.5 FT / 23.5 FT
SIGN I = 168 SQ. FT
TOTAL = 168 SQ. FT

See SCD Tc-21.20 For Foundation Details

S-38

SLM 4.79 SB

SEEDING	END	SO.	VOLS.
WIDTH			