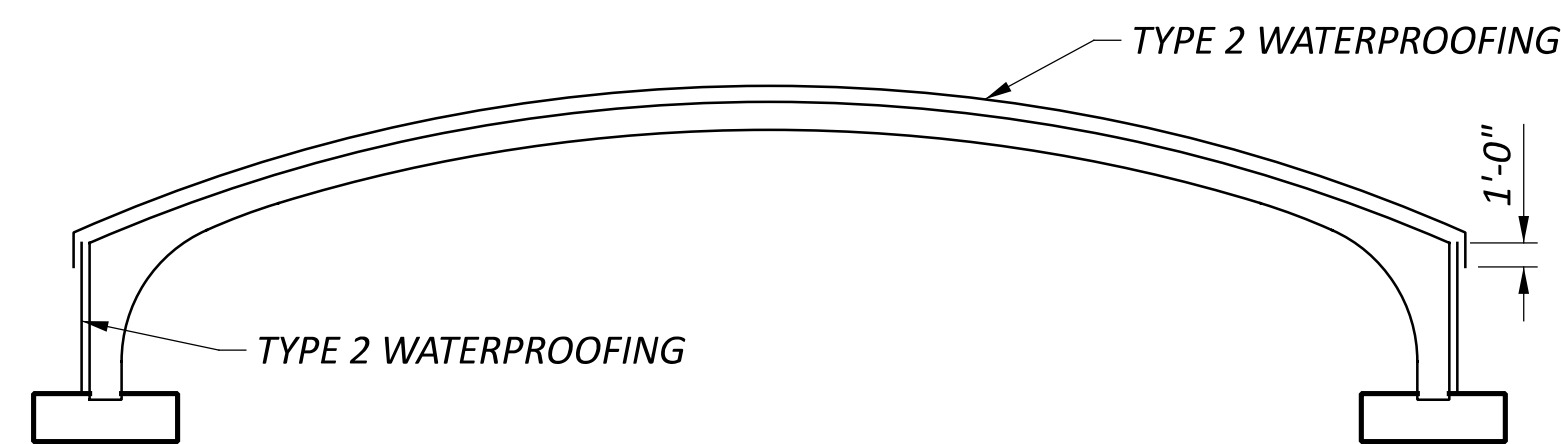


**LIMITS OF STRUCTURAL BACKFILL**

\* FOR FILL HEIGHTS LESS THAN 2 FEET, LIMIT OF STRUCTURAL BACKFILL SHALL BE BOTTOM OF SUBGRADE LINE.

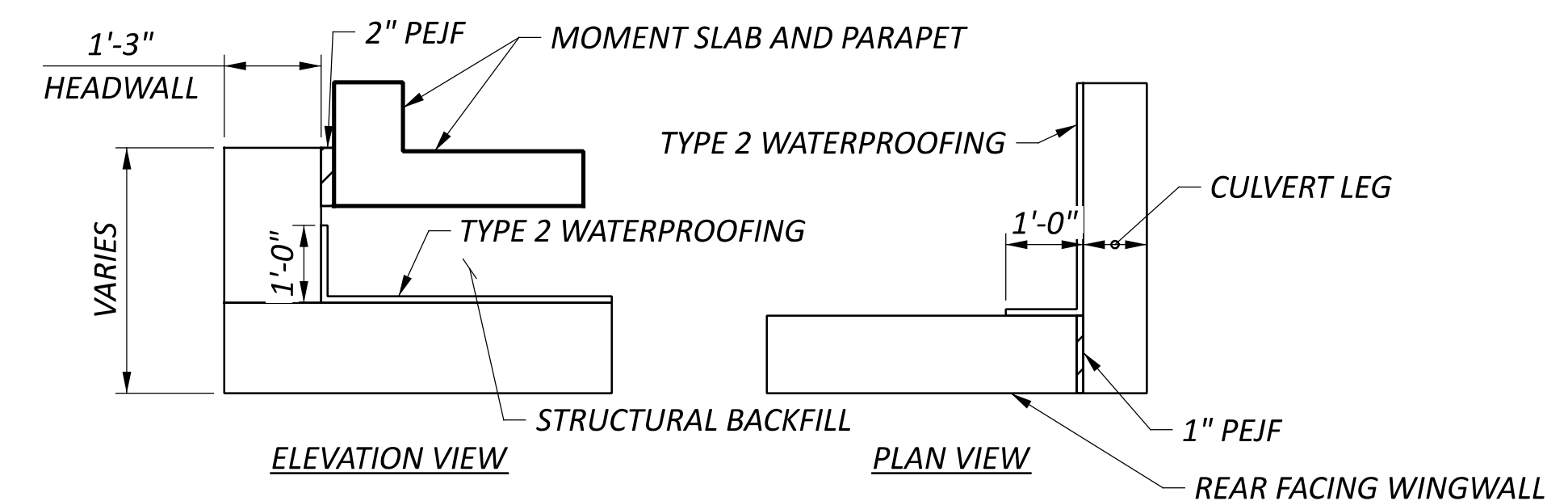
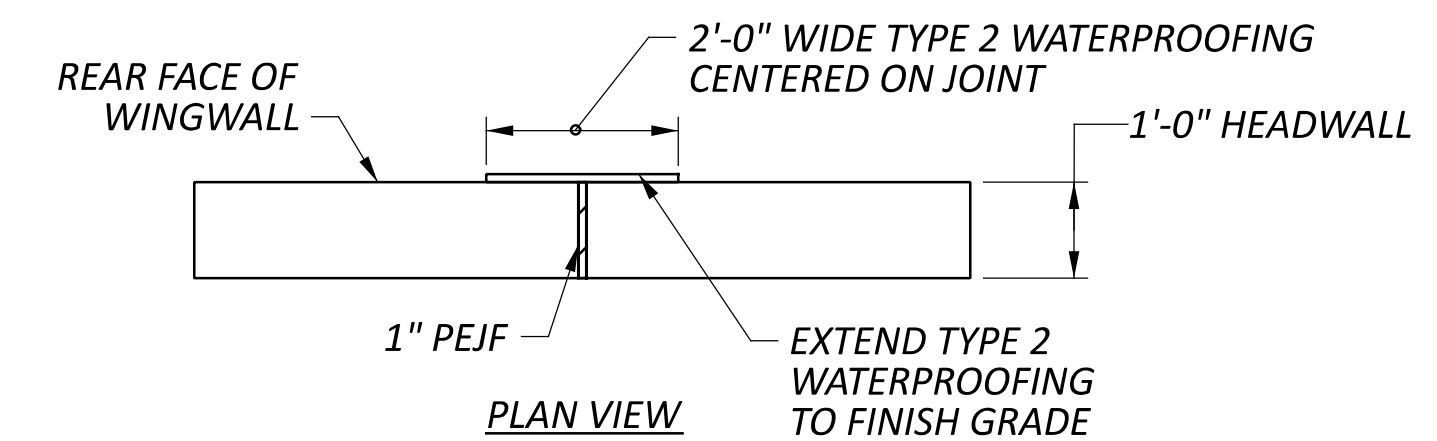


**CULVERT WATERPROOFING DETAIL**

**ESTIMATED QUANTITIES**

ITEM	EXT	QUANTITY	UNIT	DESCRIPTION	SHEET
202	11203	1	LS	PORTIONS OF STRUCTURE REMOVED, OVER 20 FOOT SPAN, AS PER PLAN	2/20
202	22900	189	SY	APPROACH SLAB REMOVED	
* 203	10000	1,101	CY	EXCAVATION	
* 203	20001	933	CY	EMBANKMENT, AS PER PLAN	2/20
* 203	35120	463	CY	GRANULAR MATERIAL, TYPE C	
503	11101	1	LS	COFFERDAMS AND EXCAVATION BRACING, AS PER PLAN	2/20
503	21300	1	LS	UNCLASSIFIED EXCAVATION	
505	11100	1	LS	PILE DRIVING EQUIPMENT MOBILIZATION	
507	00600	1,620	FT	14" CAST-IN-PLACE REINFORCED CONCRETE PILES, DRIVEN	2/20
507	00650	1,800	FT	14" CAST-IN-PLACE REINFORCED CONCRETE PILES, FURNISHED	
509	10000	40,318	LB	EPOXY COATED REINFORCING STEEL	
509	30020	1,750	FT	NO. 4 DEFORMED GFRP REINFORCEMENT	
511	34448	92	CY	CLASS QC2 CONCRETE, BRIDGE DECK (PARAPET)	15/20, 18/20
511	46010	46	CY	CLASS QC1 CONCRETE, RETAINING/WINGWALL NOT INCLUDING FOOTING	
511	46510	75	CY	CLASS QC1 CONCRETE, FOOTING	
511	46610	26	CY	CLASS QC1 CONCRETE, HEADWALL	
512	10050	127	SY	SEALING OF CONCRETE SURFACES (NON-EPOXY)	
512	10100	335	SY	SEALING OF CONCRETE SURFACES (EPOXY-URETHANE)	
512	33000	391	SY	TYPE 2 WATERPROOFING	
515	30000	80	FT	HIGH EARLY STRENGTH KEYWAY GROUT	
516	13600	21	SF	1" PREFORMED EXPANSION JOINT FILLER	
516	13900	326	SF	2" PREFORMED EXPANSION JOINT FILLER	
516	14000	7	SF	PREFORMED EXPANSION JOINT FILLER, MISC: 3" THICK	2/20
517	75120	107	FT	RAILING (CONCRETE PARAPET WITH TWIN STEEL TUBE RAILING)	
518	21200	33	CY	POROUS BACKFILL WITH GEOTEXTILE FABRIC	
518	40000	126	FT	6" PERFORATED CORRUGATED PLASTIC PIPE	
518	40010	46	FT	6" NON-PERFORATED CORRUGATED PLASTIC PIPE, INCLUDING SPECIALS	
523	20000	1	EACH	DYNAMIC LOAD TESTING	
SPECIAL	53013000	555	SF	FORM LINER	2/20
601	32100	202	CY	ROCK CHANNEL PROTECTION, TYPE B WITH FILTER	
611	71001	40	FT	CONDUIT, TYPE A, PRECAST REINFORCED CONCRETE ARCH SECTIONS, AS PER PLAN, 54'-0" SPAN x 11'-0" RISE	2/20

\* NOTE: 203 ITEMS HAVE BEEN CARRIED TO THE ROADWAY SECTION OF THE GENERAL SUMMARY.



REVISED  
 3/23/26

SFN

4561430

DESIGN AGENCY



DESIGNER: CML  
 CHECKER: PES

REVIEWER

TML 10/28/25

PROJECT ID

104789

SUBSET TOTAL

3 20

SHEET TOTAL

27 50