



P. O. Box 2628
Whitehouse, Ohio 43571

Phone: 419-877-0400
Fax: 419-877-1140

www.garciasurveyors.com

Job Name: LWC-23 (105899)

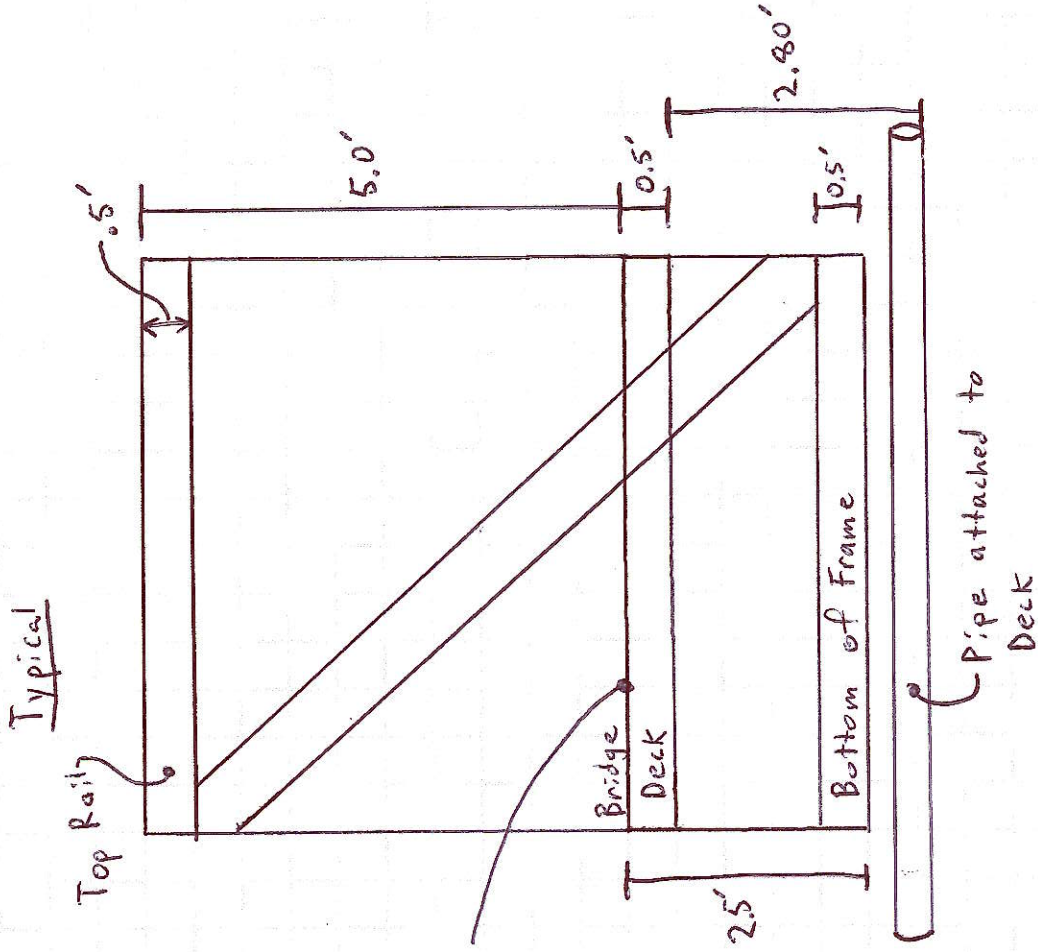
Job Number: 214504582

Sheet No. _____ of _____ Scale

Calculated by: _____ Date: _____

Checked by: _____ Date: _____

Remarks: Pedestrian Bridge



All survey shots
taken on this
surface



P. O. Box 2628
Whitehouse, Ohio 43571

Phone: 419-877-0400
Fax: 419-877-1140

www.garciasurveyors.com

Job Name: LUC-23 (105889)
Job Number: 214504582
Sheet No. _____ of _____ Scale _____
Calculated by: _____ Date: _____
Checked by: _____ Date: _____
Remarks: Golf Course Bridge

Typical

all Survey Shots
taken on this surface

