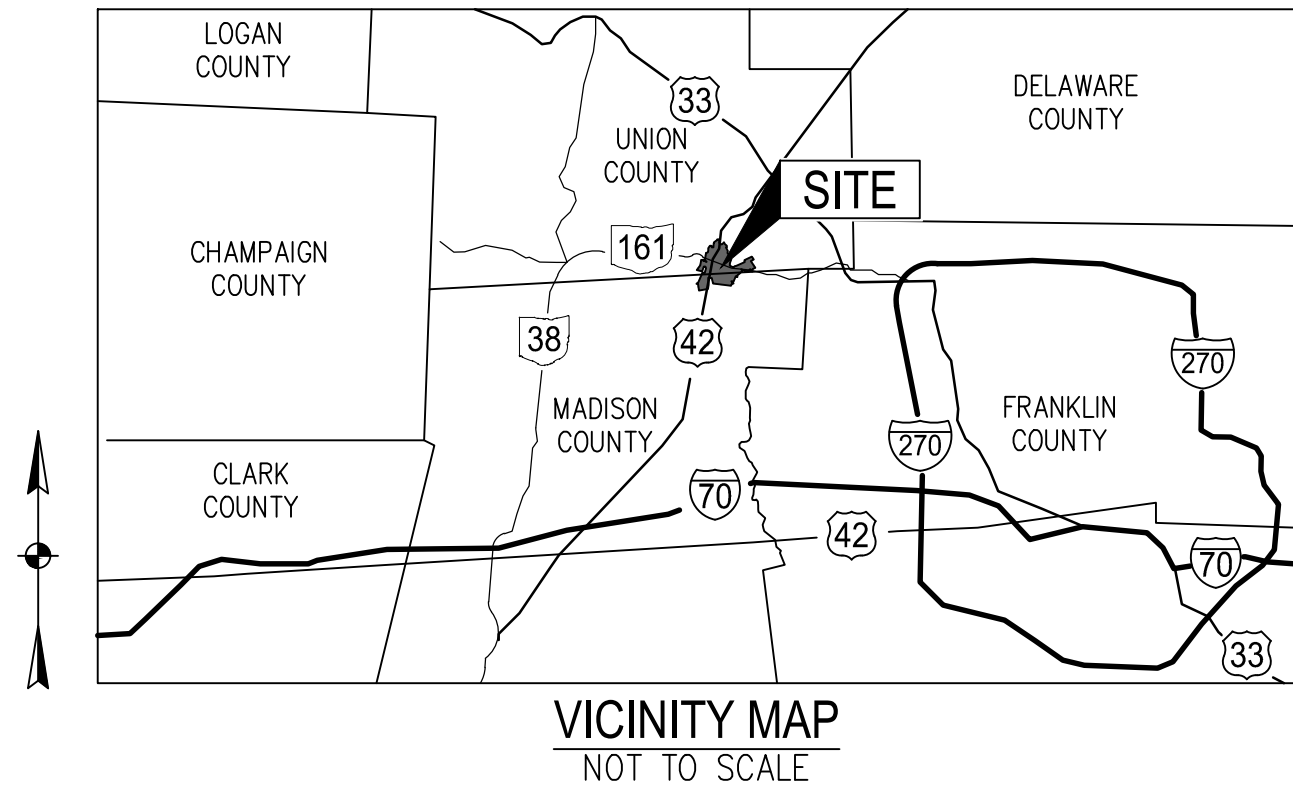


THE VILLAGE OF PLAIN CITY, OHIO MAPLE STREET TEMPORARY BRIDGE REPAIR



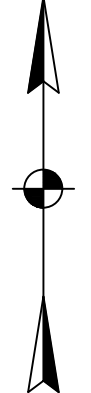
ENGINEER
 RANDY L. VANTILBURG, P.E.
 1160 DUBLIN ROAD, SUITE 100
 COLUMBUS, OH 43215
 TEL: (614) 441-4222
 FAX: (614) 441-4222
 RVANTILBURG@MANNIKSMITHGROUP.COM

1160 DUBLIN ROAD SUITE 100 COLUMBUS, OH 43215 TEL: (614) 441-4222 FAX: (614) 441-4222	PROJECT DATE: 11/11/2022 PROJECT NO: P2040047 DRAWN BY: JSB CHECKED BY: RJS
---	--

SHEET INDEX

TITLE SHEET.....	1
PLAN AND DETAILS.....	2

PROJECT SCOPE
 TEMPORARY BRIDGE REPAIRS THAT PERMIT OPENING OF THE BRIDGE WITH REDUCED LOAD LIMITS PRIOR TO 2025 BRIDGE REPLACEMENT



GENERAL NOTES

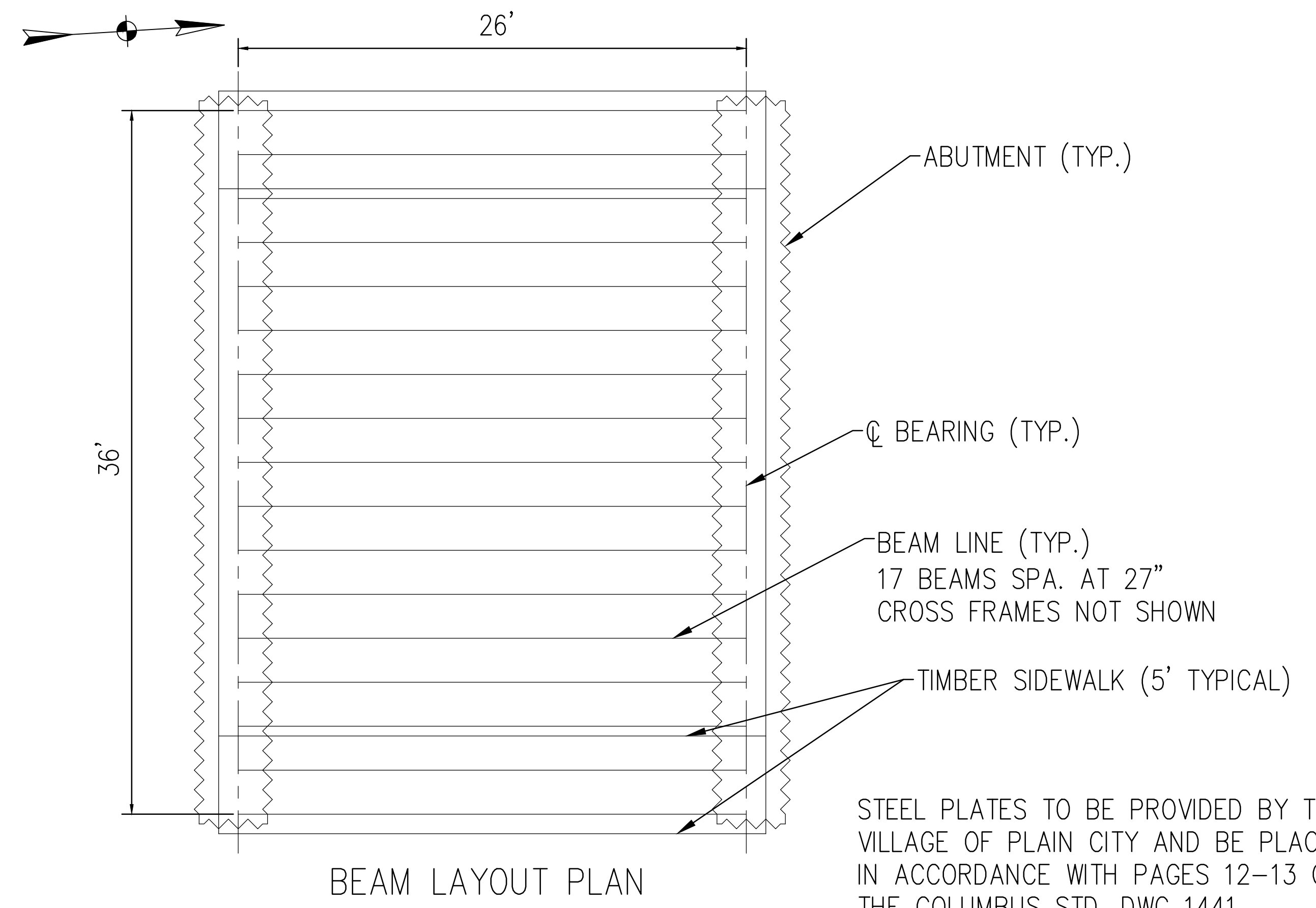
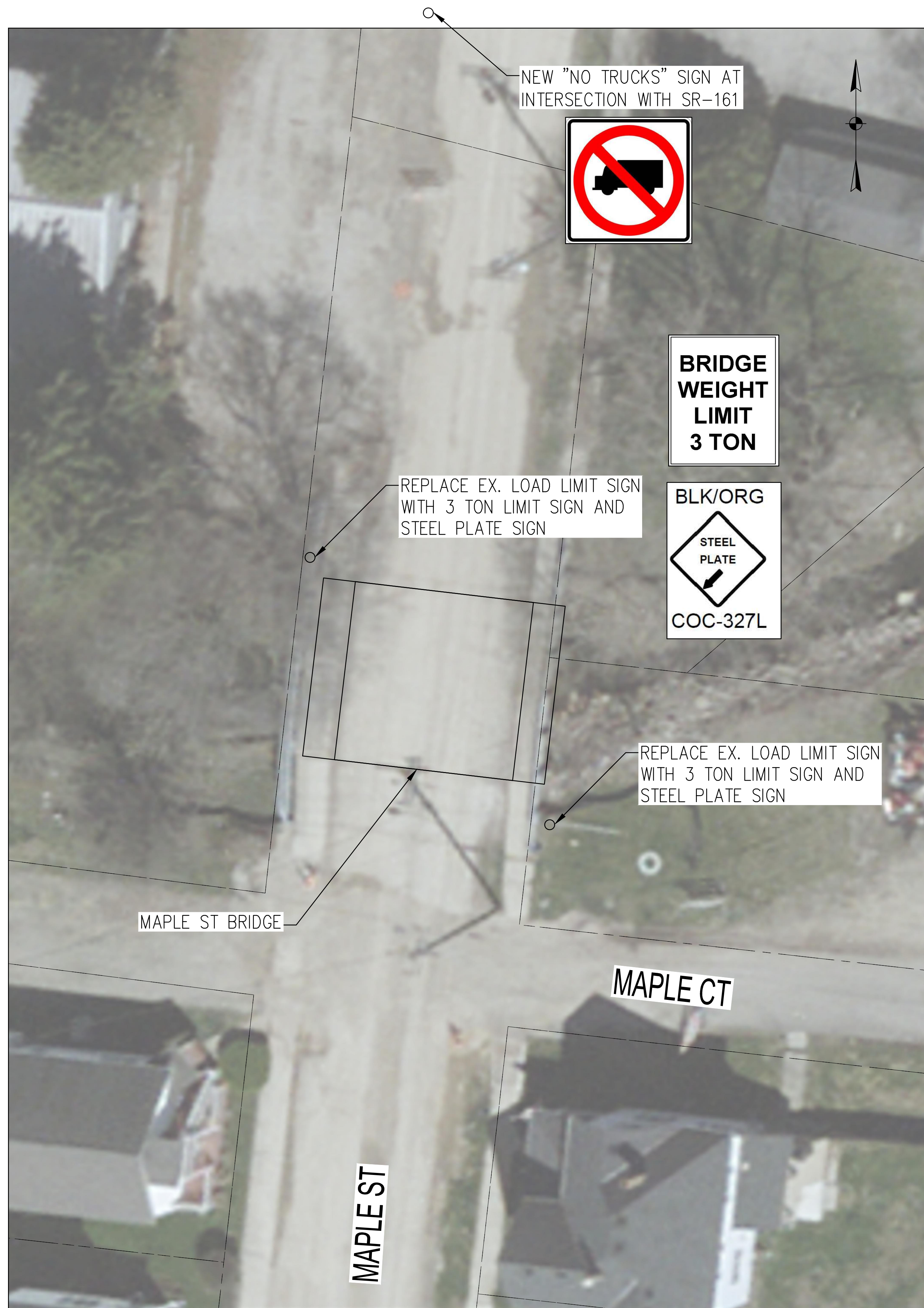
1. THIS PROJECT WILL PROVIDE TEMPORARY SUPPORT FOR DEFICIENT BEAMS ALONG WITH A LOAD REDUCTION IN ORDER TO OPEN THE BRIDGE TO LOCAL NON-TRUCK TRAFFIC. THE CONTRACTOR SHALL NOTIFY THE ENGINEER UPON COMPLETION OF THE PROJECT AND BE PRESENT FOR THE INSPECTION PRIOR TO LEAVING THE SITE.
2. THE VILLAGE, ENGINEER, AND/OR THEIR REPRESENTATIVES RESERVE THE RIGHT TO APPROVE THE ASPHALT AROUND THE METAL PLATES TO ENSURE A SMOOTH RISE ACROSS THE BRIDGE. THE ASPHALT SHALL BE AS PER CITY OF COLUMBUS CMS ITEM NUMBER 441, ASPHALT SURFACE COURSE, TYPE 1, (448), PG64-22.
3. THE PROJECT WILL BE PAID FOR UNDER THE LUMP SUM PRICE BID FOR ALL WORK SHOWN ON THESE PLANS INCLUDING ALL MATERIALS AND LABOR, MOBILIZATION AND SITE CLEANUP. THE CONTRACTOR SHALL BE ASSESSED A DISINCENTIVE COST OF \$1,000 PER DAY FOR EACH DAY PAST THE COMPLETION DATE SHOWN IN THE BID DOCUMENTS UNTIL PROJECT COMPLETION HAS BEEN ACHIEVED.

W:\Projects\Projects_P1\12040047\CAD\ASSETS\SP2040047_BRIDGE_REPAIR.dwg, printed 11/11/2022 7:51 PM by jrdavis

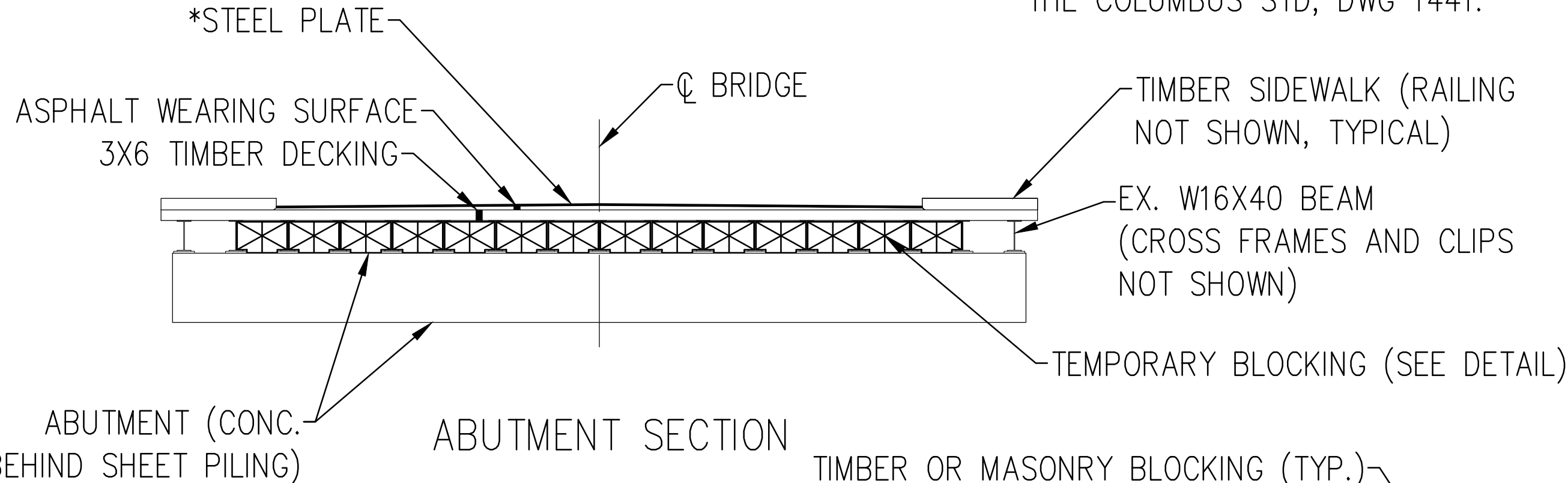
SITE DEVELOPMENT PLANS FOR
**MAPLE STREET BRIDGE
 TEMPORARY REPAIRS**
 PLAIN CITY, OH

TITLE SHEET

V:\Projects\Projects\1720\0407\CAD\SHETS\PS\0407_Bridge_Repairs.dwg, printed 11/11/2022, 8:04 PM by jrbarnes

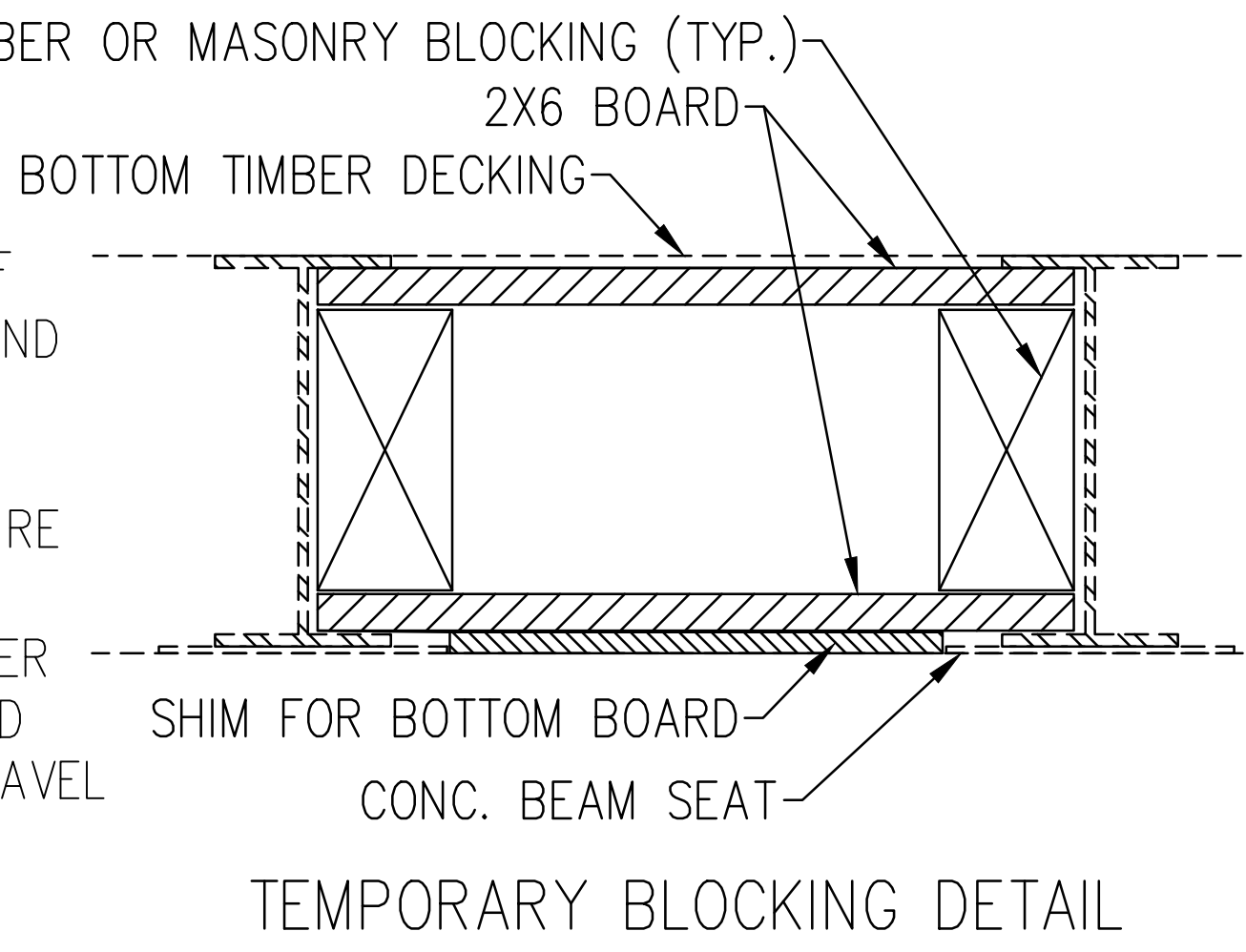


STEEL PLATES TO BE PROVIDED BY THE VILLAGE OF PLAIN CITY AND BE PLACED IN ACCORDANCE WITH PAGES 12-13 OF THE COLUMBUS STD, DWG 1441.

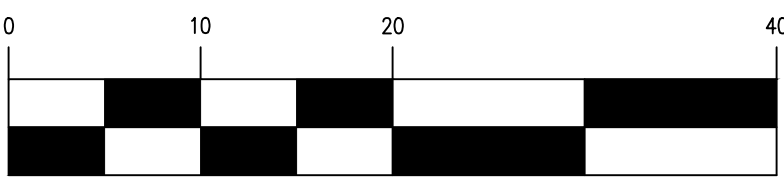


NOTES:

- CLEAN UP BRIDGE BEAM SEATS AND BOTTOMS OF TOP FLANGES OF ALL LOOSE MATERIAL/DEBRIS AND DISPOSE OF MATERIAL OFF SITE.
- PLACE TIMBER/MASONRY BLOCKING BETWEEN INTERIOR BEAMS AS SHOWN. USE SHIMS TO ENSURE TIGHT FIT.
- PLACE STEEL PLATES (PROVIDED BY OTHERS) OVER BRIDGE JOINTS. USE ASPHALT FOR LEVELING AND AT THE TRAFFIC EDGES TO PROMOTE SMOOTH TRAVEL AFTER PLATE INSTALLATION.
- ERECT SIGNS AS SHOWN (THREE LOCATIONS).
- VILLAGE OF PLAIN CITY WILL OPEN BRIDGE TO TRAFFIC AFTER INSPECTION.



NOTES: PROVIDE TEMPORARY BLOCKING AND STEEL PLATES ON BOTH ABUTMENTS. TIMBER SHALL BE PRESSURE TREATED PINE OR APPROVED EQUAL.



NO.	DATE	BY	DESCRIPTION

1160 DUBLIN ROAD
SUITE 100
COLUMBUS, OH 43215
TEL: 614.441.4222
FAX: 614.888.7340

PROJECT NO: P204047
DRAWN BY: JSB
CHECKED BY: RJS

11/11/2022

TECHNICAL SKILL: CREATIVE SPIRIT.

Mannik Smith GROUP
www.MannikSmithGroup.com

PREPARED FOR:
VILLAGE OF PLAIN CITY
THE VILLAGE OF PLAIN CITY
800 VILLAGE BOULEVARD
PLAIN CITY, OH 43064

SITE DEVELOPMENT PLANS FOR
MAPLE STREET BRIDGE
TEMPORARY REPAIRS
PLAIN CITY, OH

PLAN DETAILS

2 / 2