

STATE OF OHIO  
DEPARTMENT OF HIGHWAYS

FED. RD. DIV. NO.	STATE	PROJ. NO.	TYPE FUNDS
2	OHIO	STATE	

1
9

SUMMIT COUNTY  
CITY OF AKRON OHIO  
AKRON EXPRESSWAY SYSTEM  
SUM - 5 - 11.00

# AKRON EXPRESSWAY SYSTEM

SUM-5-11.00  
SUMMIT COUNTY  
CITY OF AKRON

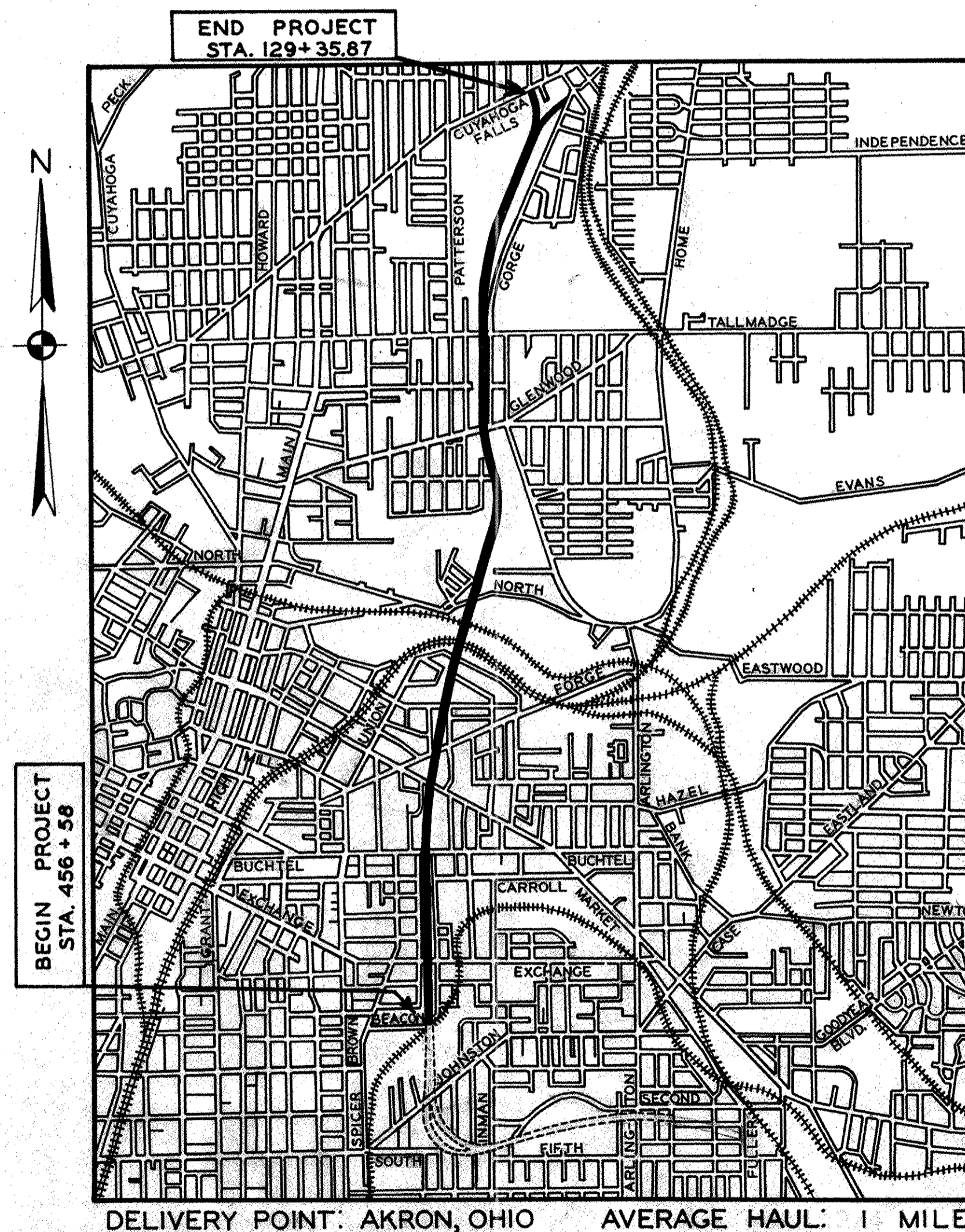
351B

### INDEX OF SHEETS

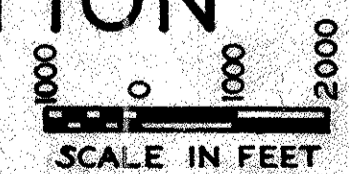
TITLE PAGE	-----	1
FENCE DETAILS & GENERAL SUMMARY	-----	2
FENCE PLANS	-----	3-9

### LINE DATA

BEGIN PROJECT	-----	STA. 456 + 58
EQUATION (AT E. MARKET ST.)	-----	STA. 499 + 91.06 BACK =
		STA. 0 - 08.94 AHEAD
END PROJECT	-----	STA. 129 + 35.87
NET LENGTH OF PROJECT =		17,277.87 LIN. FT. OR 3.272 MILES



### LOCATION PLAN



THE STANDARD SPECIFICATIONS OF THE STATE OF OHIO, DEPARTMENT OF HIGHWAYS, INCLUDING CHANGES AND SUPPLEMENTAL SPECIFICATIONS, LISTED IN THE PROPOSAL, SHALL GOVERN THIS IMPROVEMENT.

THE RIGHT OF WAY FOR THIS IMPROVEMENT WILL BE PROVIDED BY THE STATE OF OHIO.

I HEREBY APPROVE THESE PLANS AND DECLARE THAT THE MAKING OF THIS IMPROVEMENT WILL NOT REQUIRE THE CLOSING OF THE HIGHWAY TO TRAFFIC AND THAT PROVISIONS FOR THE MAINTENANCE AND SAFETY OF TRAFFIC WILL BE AS SET FORTH ON THE PLANS AND ESTIMATES.

APPROVED  
DATE 6-2-1955  
APPROVED  
DATE 6-3-1955  
APPROVED  
DATE 6-28-55  
APPROVED  
DATE  
APPROVED  
DATE 6-16-55  
APPROVED  
DATE 6-16-55  
APPROVED  
DATE 6-28-55  
APPROVED  
DATE 6-30-55

*Leslie W. ...*  
DIRECTOR OF PUBLIC SERVICE, CITY OF AKRON  
*W. R. ...*  
DIVISION DEPUTY DIRECTOR  
*John D. ...*  
DEPUTY DIRECTOR OF PLANNING AND PROGRAMMING  
-----  
ENGINEER OF BRIDGES  
*W. B. ...*  
ENGINEER OF LOCATION AND DESIGN  
*H. ...*  
DEPUTY DIRECTOR OF DESIGN AND CONSTRUCTION  
*V. ...*  
FIRST ASSISTANT DIRECTOR  
*S. ...*  
DIRECTOR OF HIGHWAYS

CONSTRUCTION BUREAU  
FEB 21 1957  
GROUND PHOTOLAB

STANDARD DRAWINGS
NONE

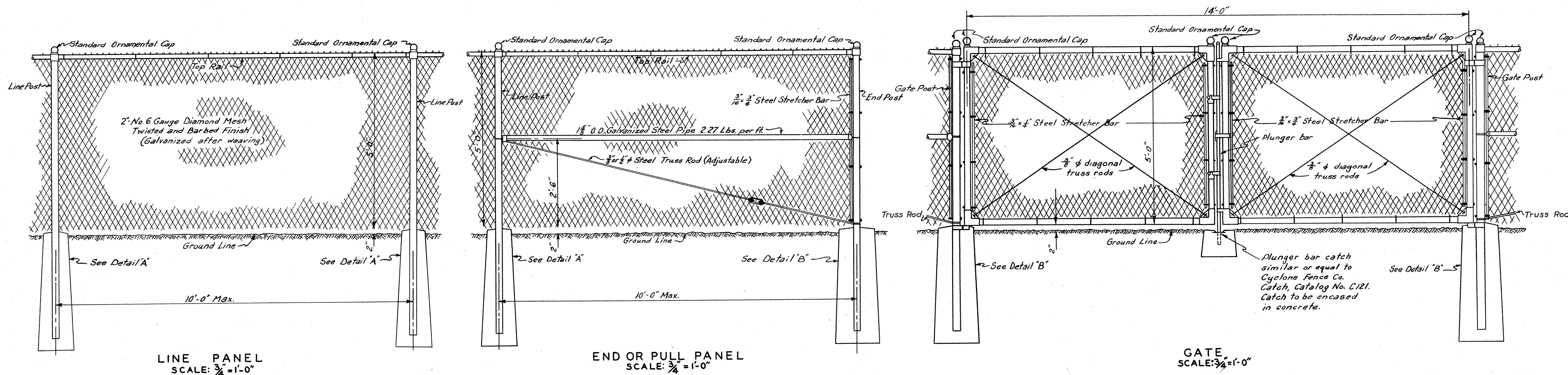
SCALE PLAN 1" = 50'

SUPPLEMENTAL SPECIFICATIONS
18 REV. 9-20-54

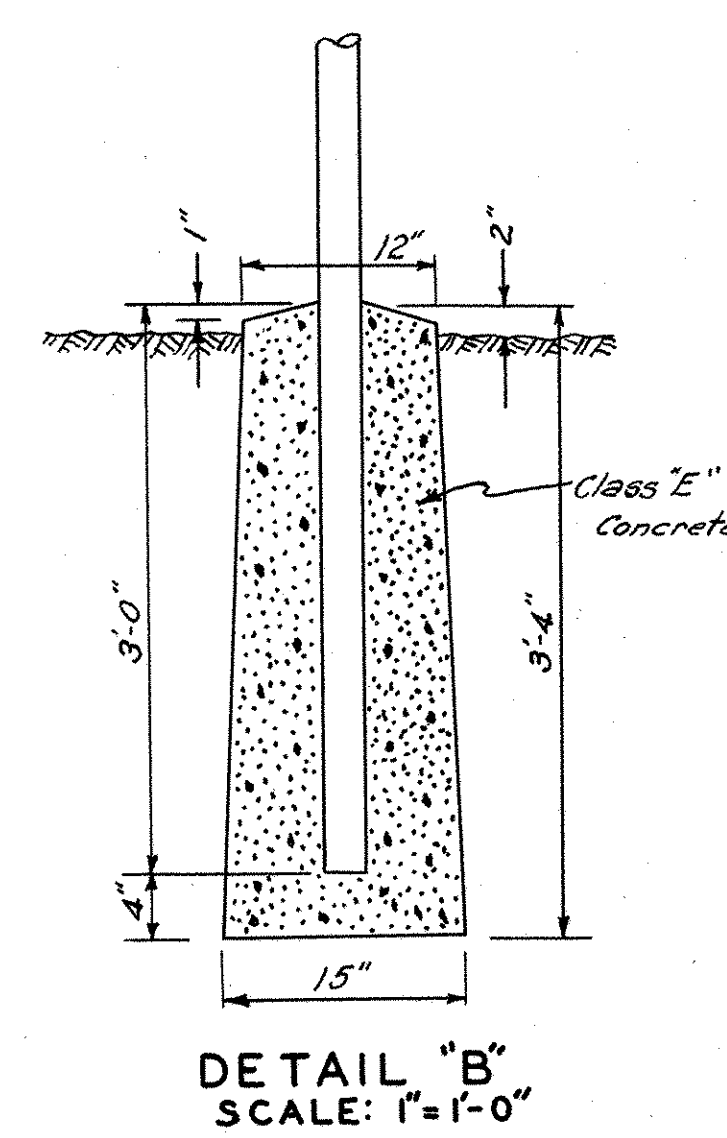
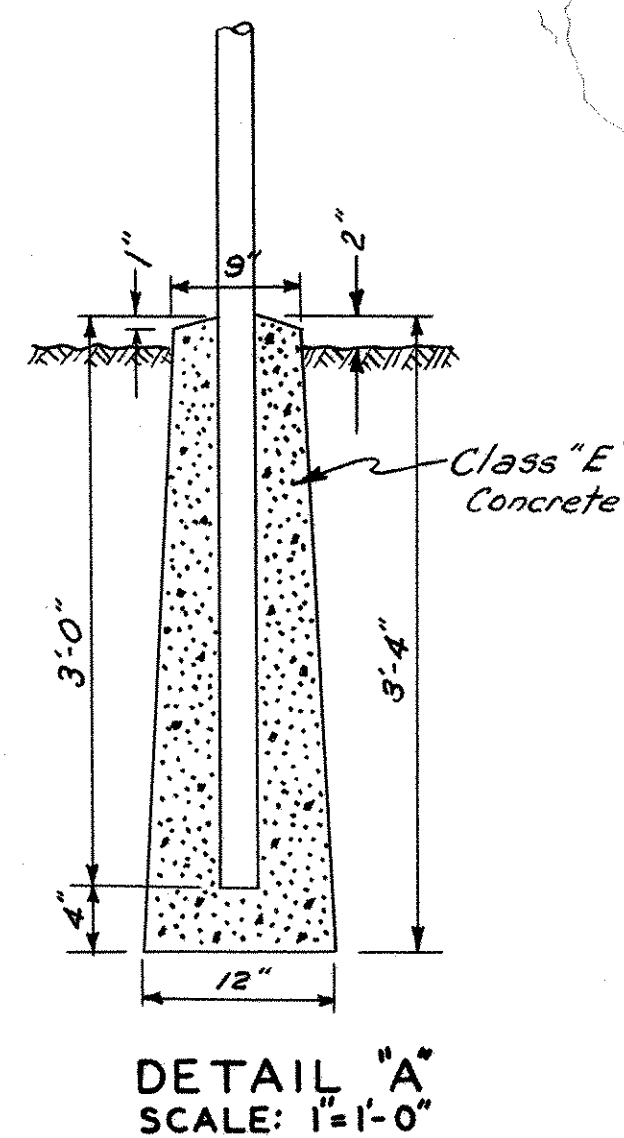
FILE NO.	SUMMIT COUNTY
	SEC. SUM-5-11.00
	DATE OF LETTING _____, 1955
	CONTRACT NO. _____



## TYPE - FENCE CONSTRUCTION



GENERAL SUMMARY				
ITEM NO.	QUANTITY	UNIT	DESCRIPTION	
SS-18	29,755	LIN. FT.	FENCE TYPE "C" WITH ROUND POSTS AND RAIL, AS PER PLAN	
SS-18	3	EACH	FENCE GATES, TYPE "C" (DOUBLE GATE FOR 14'-0" OPENING) AS PER PLAN	



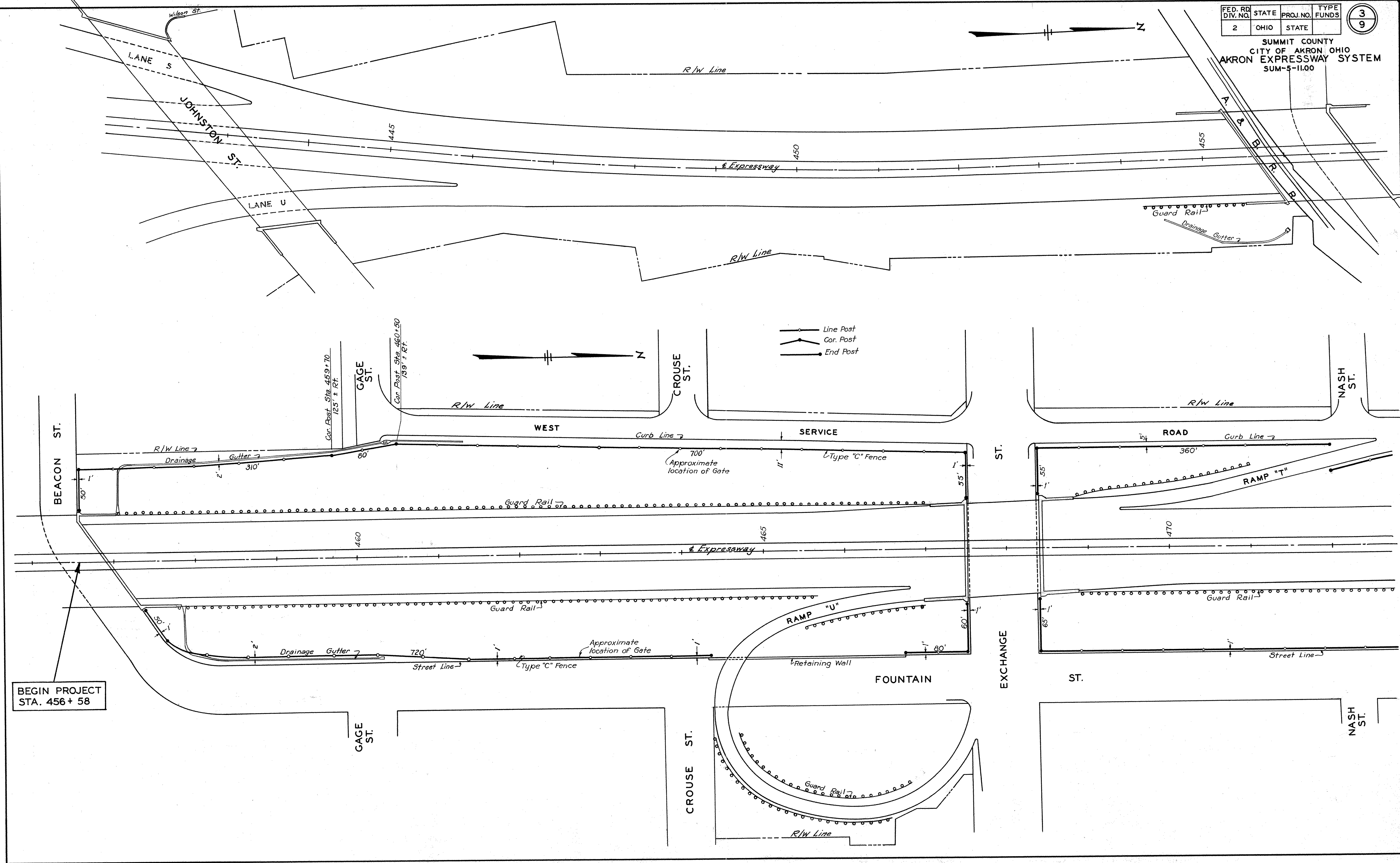
**Notes:**

1. All fencing to be Type C, chain link with round posts and rails.
2. All gates shall be provided with an approved lock.
3. For dimensions and weights of posts and rails, See Supplemental Specification No. 18.
4. For additional information regarding hinges, latches, stretcher bars, truss rods, etc., See Supplemental Specification No. 18.
5. The fence shall not be erected until after five (5) days from the time of setting the posts in concrete if cement meeting the requirements of Sec. M-1.1 is used or until after three (3) days if cement meeting the requirements of Sec. M-1.2 is used.
6. A pull panel shall be placed on each side of all corner or angle posts where the change in alignment of the fence exceeds five (5) degrees.
7. The footing for all angle or corner posts where the change in alignment of the fence exceeds five degrees shall be constructed as shown in Detail "B".
8. The plans indicate the locations of gates as approximate. The Engineer shall decide the exact location for each at the time of erection.

FED. RD. DIV. NO.	STATE	PROJ. NO.	TYPE FUNDS
2	OHIO	STATE	

3  
9

SUMMIT COUNTY  
CITY OF AKRON OHIO  
AKRON EXPRESSWAY SYSTEM  
SUM-5-11.00

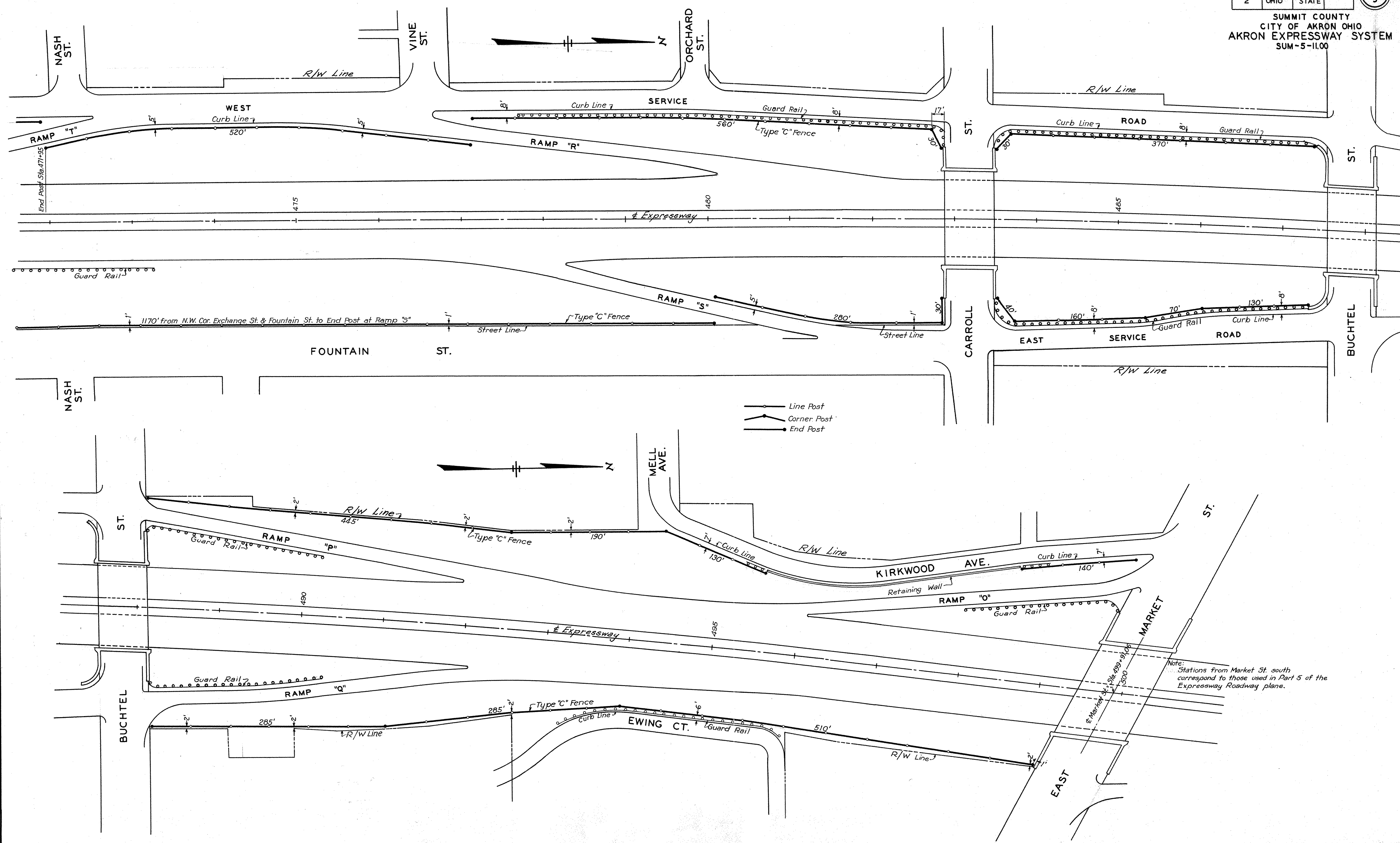


BEGIN PROJECT  
STA. 456 + 58

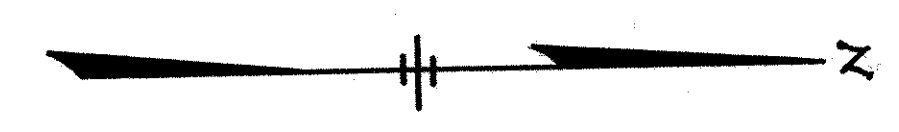


FED. RD. DIV. NO.	STATE	PROJ. NO.	TYPE FUNDS
2	OHIO	STATE	

SUMMIT COUNTY  
CITY OF AKRON OHIO  
AKRON EXPRESSWAY SYSTEM  
SUM-5-11.00



- Line Post
- △— Corner Post
- End Post

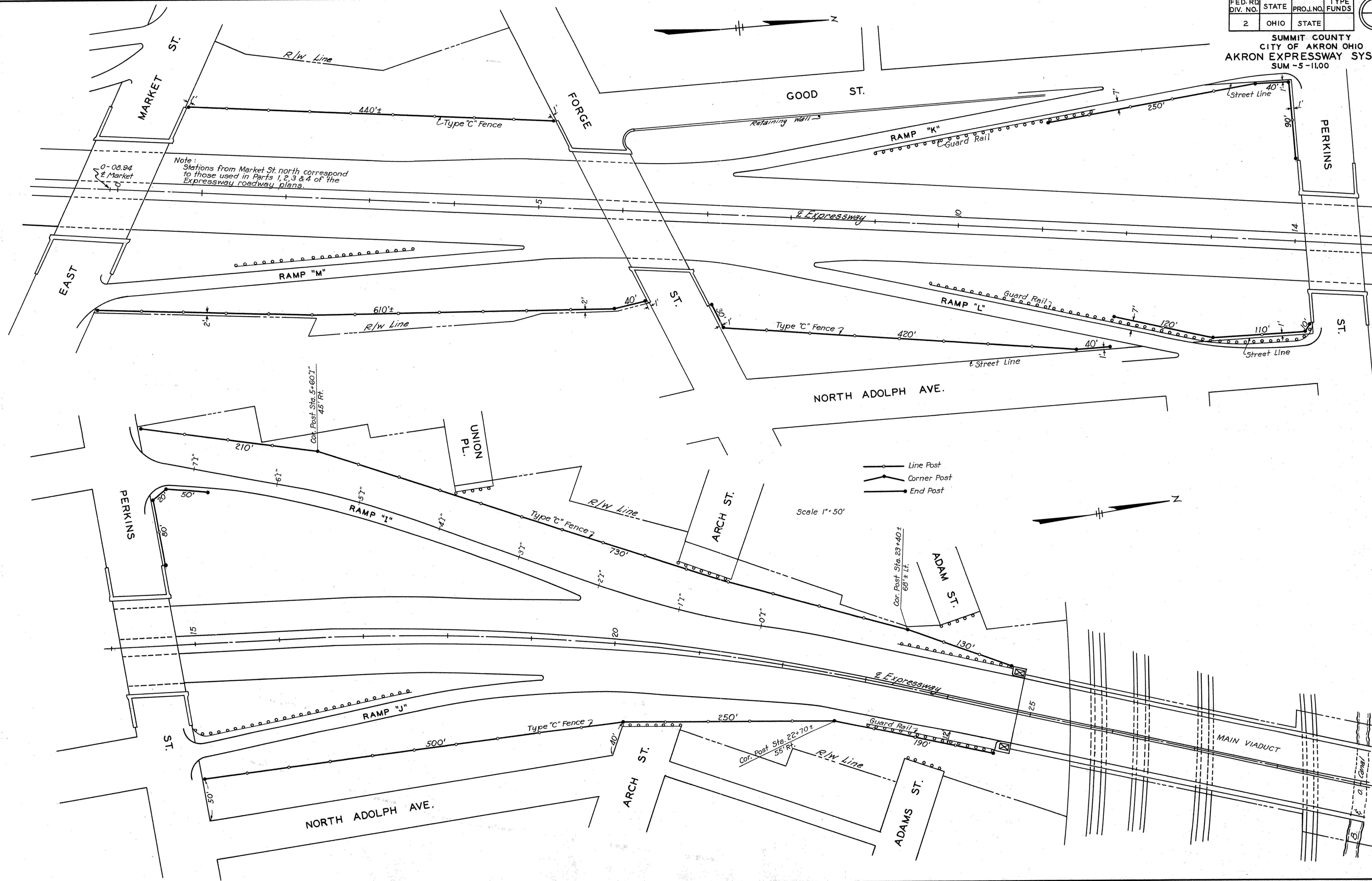


Note: Stations from Market St. south correspond to those used in Part 5 of the Expressway Roadway plans.

FED. RD. DIV. NO.	STATE	PROJ. NO.	TYPE FUNDS
2	OHIO	STATE	

5  
9

SUMMIT COUNTY  
CITY OF AKRON OHIO  
AKRON EXPRESSWAY SYSTEM  
SUM -5 -11.00



Note:  
Stations from Market St. north correspond  
to those used in Parts 1, 2, 3 & 4 of the  
Expressway roadway plans.

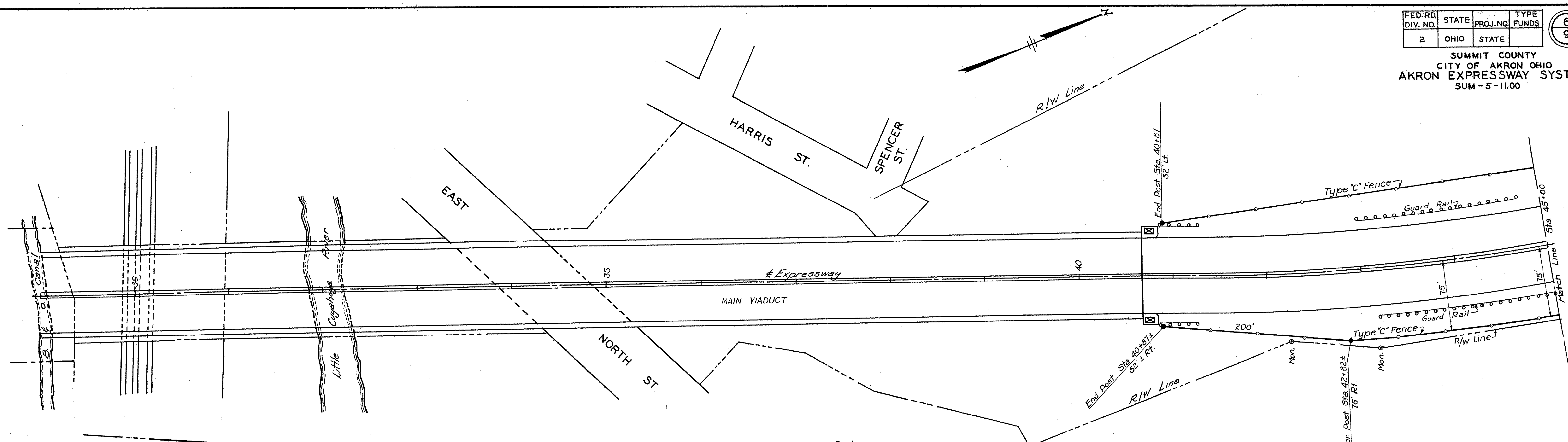
- Line Post
- ▲— Corner Post
- End Post

Scale 1" = 50'

FED. RD. DIV. NO.	STATE	PROJ. NO.	TYPE FUNDS
2	OHIO	STATE	

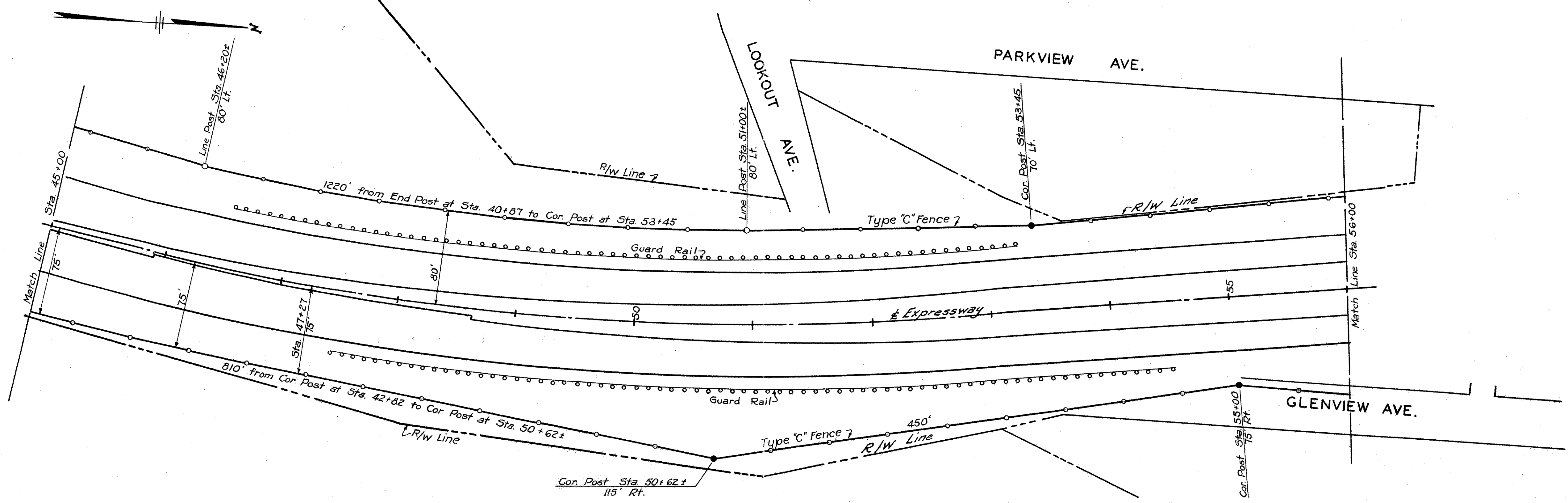
6  
9

SUMMIT COUNTY  
CITY OF AKRON OHIO  
AKRON EXPRESSWAY SYSTEM  
SUM-5-11.00



- Line Post
- ▲— Corner Post
- End Post

Scale 1" = 50'

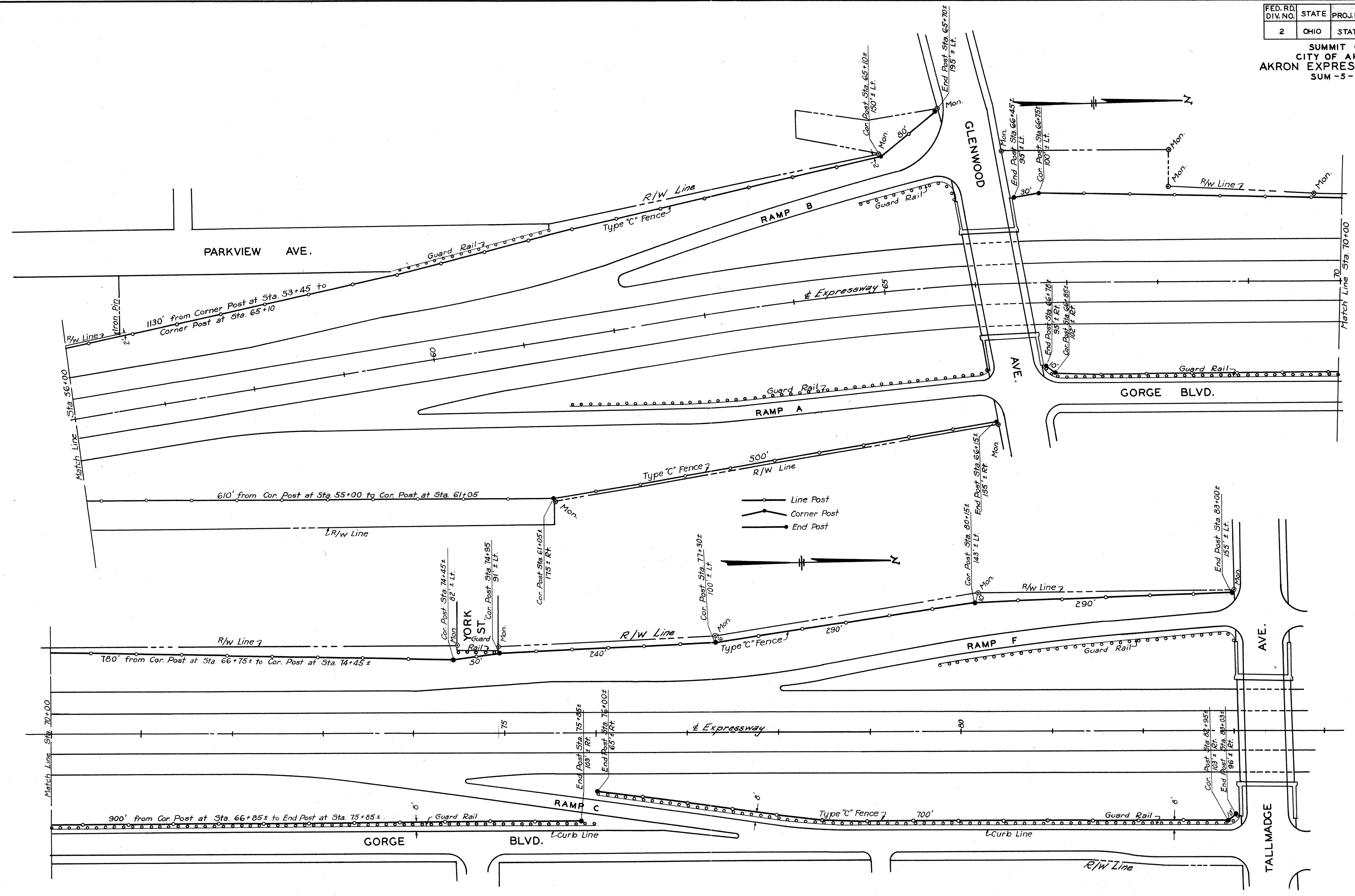




FED. RD. DIV. NO.	STATE	PROJ. NO.	TYPE FUNDS
2	OHIO	STATE	

7  
9

SUMMIT COUNTY  
CITY OF AKRON OHIO  
AKRON EXPRESSWAY SYSTEM  
SUM-5-11.00

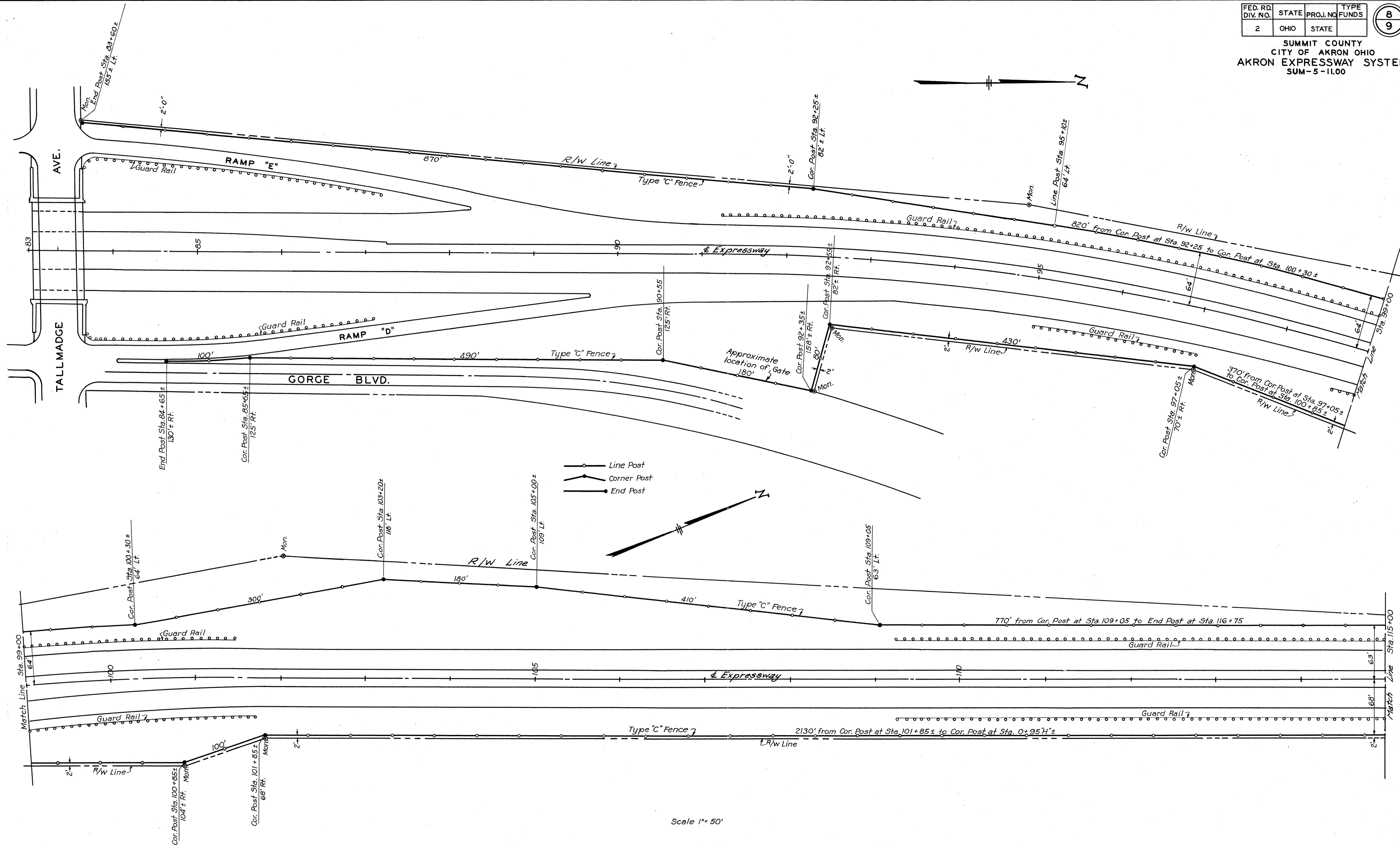


Scale 1"=50'

FED. RD. DIV. NO.	STATE	PROJ. NO.	TYPE FUNDS
2	OHIO	STATE	

8  
9

SUMMIT COUNTY  
CITY OF AKRON OHIO  
AKRON EXPRESSWAY SYSTEM  
SUM-5-11.00



Scale 1" = 50'



FED. RD DIV. NO.	STATE	PROJ. NO.	TYPE FUNDS
2	OHIO	STATE	

9  
9

SUMMIT COUNTY  
CITY OF AKRON OHIO  
AKRON EXPRESSWAY SYSTEM  
SUM-5-11.00

