

4036

4

MICROFILMED
MAY 24 1968
GROUND PHOTO LAB

RE MICROFILMED
APR 8 1965

APR 8 1965
MAY 24 1968

FED. RD. DIVISION	STATE	PROJECT
2	OHIO	F-1042(15)

1/21

MICROFILMED
MAY 24 1968
GROUND PHOTO LAB
OTTAWA COUNTY
OTT-2-28.41
ERIE COUNTY
ERI-2-0.00

STATE OF OHIO

DEPARTMENT OF HIGHWAYS

OTT-2-28.41 ERI-2-0.00

OTTAWA COUNTY & ERIE COUNTY DANBURY & MARGARETTA TOWNSHIPS

1963 SPECIFICATIONS.

The standard specifications of the State of Ohio, Department of Highways, including changes and supplemental specifications listed in the proposal shall govern this improvement.

The right of way for this improvement will be provided by the State of Ohio.

I hereby approve these plans and declare that the making of this improvement will not require the closing to traffic of the highway and that provisions for the maintenance and safety of traffic will be as set forth on the plans and estimates.

INDEX OF SHEETS

TITLE SHEET.....	1
GENERAL PLAN AND ELEVATION.....	2
GENERAL NOTES.....	3
GENERAL NOTES AND ESTIMATED QUANTITIES.....	4
BORING LOGS.....	5-6
REINFORCING STEEL LIST.....	7
ABUTMENT DETAILS.....	8
WINGWALL AND APPROACH SLAB DETAILS.....	9
PIER DETAILS.....	10
FENDER DETAILS.....	11
FRAMING PLAN.....	12
GIRDER DETAILS.....	13
BRIDGE CROSS SECTIONS.....	14
SLAB REINFORCING.....	15-17
SCUPPER AND BEARING SHOE DETAILS.....	18
EXPANSION DAM DETAILS.....	19
ELECTRICAL DETAILS.....	20-21

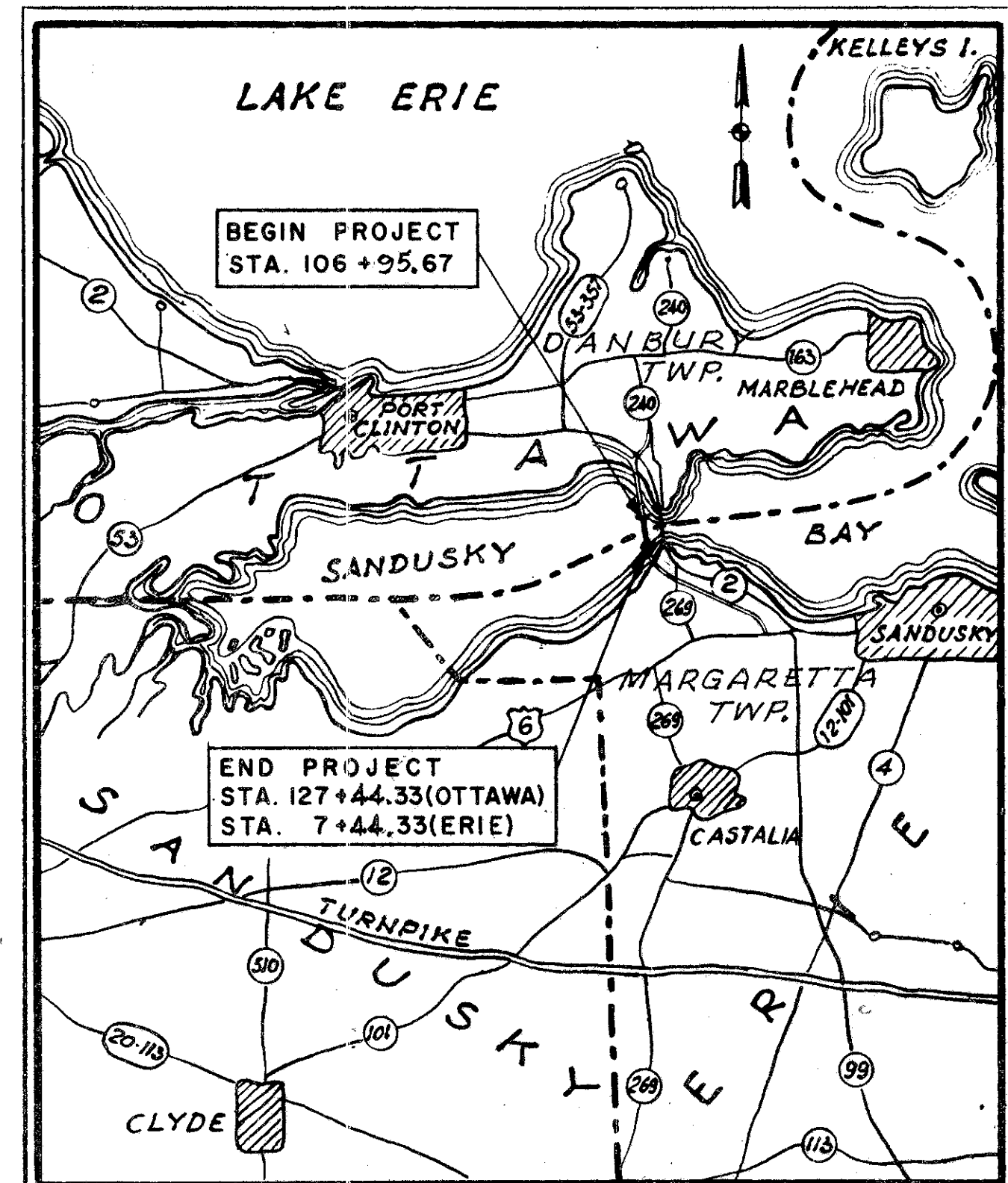
STANDARD DRAWINGS

AR-1-57	4-2-62
I-15 No.2A	8-17-60
FACI-1	3-8-63
FACI-2	3-8-63

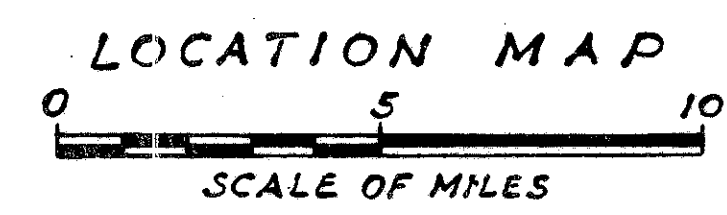
SUPPLEMENTAL SPECIFICATIONS

S-101	7-12-62
S-105	REV. 1-22-62

Sheet No. 3 revised 10-25-63



Delivery Point, Danbury, Ohio Average Haul from Siding 0.9 Mi.
 Delivery Point, Bay Bridge, Ohio Average Haul from Siding 2.1 Mi.



LINE DATA

BEGIN PROJECT & WORK.....	STA. 106+95.67 (OTTAWA)
END PROJECT & WORK.....	STA. 127+44.33 (OTTAWA)=7+44.33 (ERIE)
GROSS LENGTH OF PROJECT.....	2048.66 Lin. Ft.
ADDITIONS OR DEDUCTIONS - NONE	
NET LENGTH OF PROJECT & WORK.....	2048.66 Lin. Ft. OR 0.368 MILE

LENGTH OF PROJECT & WORK, OTTAWA CO., STA. 106+95.67 TO STA. 120+00 = 1304.33 LIN. FT. OR 0.247 MI.
 LENGTH OF PROJECT & WORK, ERIE CO., STA. 120+00 TO STA. 127+44.33 = 744.33 LIN. FT. OR 0.140 MI.

Approved: [Signature]
 Date: 5-21-63 Division Deputy Director.

Approved: [Signature]
 Date: 7-11-63 Engineer of Bridges.

Approved: [Signature]
 Date: 7-15-63 Engineer of Location and Design.

Approved: [Signature]
 Date: 7-16-63 Deputy Director of Design and Construction.

Approved: [Signature]
 Date: 2-15-63 Deputy Director of Right of Way.

Approved: [Signature]
 Date: 7-17-63 Deputy Director of Planning and Programming.

Approved: _____
 Date: _____ First Assistant Director.

Approved: [Signature]
 Date: 7/17/63 Director of Highways.

MICROFILMED
MAY 24 1968
GROUND PHOTO LAB

MICROFILMED
MAY 24 1968
GROUND PHOTO LAB

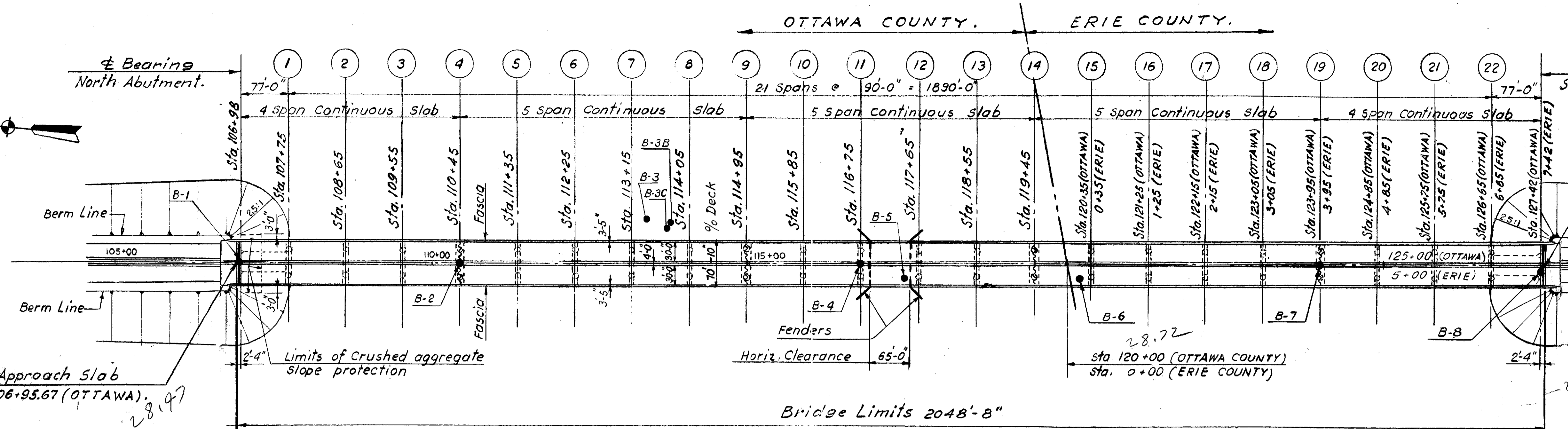
DEPARTMENT OF COMMERCE BUREAU OF PUBLIC ROADS	
APPROVED	
DIVISION ENGINEER	DATE

MICROFILMEL
APR 8 1985

FED. RD. DIVISION	STATE	PROJECT
2	OHIO	F-1042(15)

2
21

OTTAWA COUNTY
OTT-2-28.41
ERIE COUNTY
ERI-2-0.00



Marker will be furnished and erected on the right by the State prior to acceptance of this improvement.

BEGIN PROJECT & WORK
STA. 106+95.67

R.V.C. Sta. 108+20
EL. 605.80

P L A N

R.V.I. Sta. 117+20
EL. 632.80
V.C. = 1800'

END PROJECT & WORK
STA. 127+44.33

R.V.T.
Sta. 126+20 (OTTAWA)
Sta. 6+20 (ERIE)
EL. 605.80

Basin Approach Slab
Sta. 127+44.33 (OTTAWA)
7+44.33 (ERIE)

Profile Grade Line

Proposed S.R. 2
S. 4°-57'-10" E.

Profile Grade Line

Marker will be furnished and erected on the left by the State prior to acceptance of this improvement.

EXISTING STRUCTURE

Type: Lift span - riveted plate Girders on reinforced concrete Substructure.

Span: 60'-0" clear

Vert. Clearance: 64'-7" L.W. Vert. Cl.

Length: 2039'

Roadway: 24'-0"

Skew: 0°

Date Built: 1929

PROPOSED STRUCTURE

Type: Superstructure, Prestressed concrete Beams simply supported for D.L. and continuous, composite for L.L. and superimposed D.L.

Substructure: solid reinforced concrete Shafts with reinforced concrete Cap. Stub Abutments on steel Piles.

Vert. Clearance: 43'-0" L.W. Vert. Cl.

Spans: 77'-21 @ 90'-77"

Bridge Limits: 2048'-8"

Roadway: 64'-0" f/f of 2'-3" safety curbs with 4'-0" median

Load Frequency: CF = 400 (For Design of Slab only)

Skew: 0°

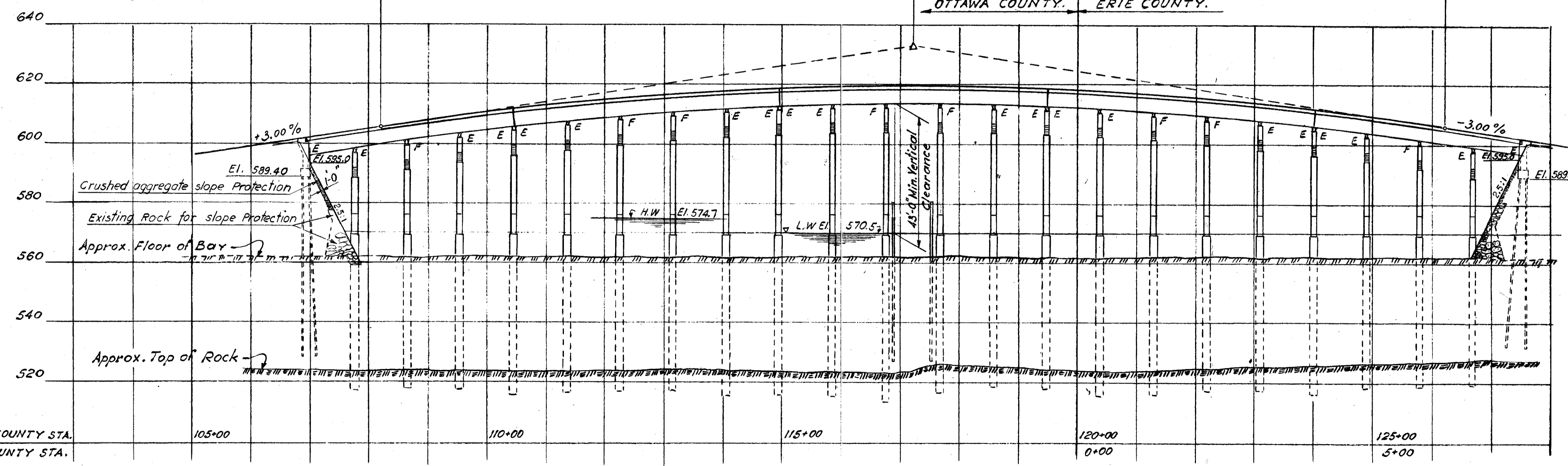
Wearing Surface: 1" Monolithic Concrete

Approach Slabs: 25'-0" (Not a part of this contract)

Alignment: Tangent

Superelevation: Normal Crown

Live Load: S 20-60



E L E V A T I O N

FOUNDATION SOUNDINGS: Foundation design and foundation quantities are based on a study of soil-sampling soundings made at the site. This sounding information, the accuracy of which the State does not guarantee, may be examined in the office of the Bureau of Bridges in Columbus or in the Division office.

NOTES: For General Notes, See Sheets No. 3 and 4

Parapet and Railing shown on Sheets 15, 16 & 17

E - denotes Expansion Bearing Shoe.

F - denotes Fixed Bearing Shoe.

• - denotes Boring.

⑦ - denotes Pier.

Estimated average pay length of 128P53 Piles:

North Abutment - 63 ft.

South Abutment - 59 ft.

SANDUSKY BAY BRIDGE
BR. No. OTT-2-2904
OTTAWA COUNTY & ERIE COUNTY
GENERAL PLAN AND ELEVATION

E. LIONEL PAVLO
CONSULTING ENGINEER
NEW YORK, N.Y.

DESIGNED BY:	DRAWN BY:	CHECKED BY:	REVIEWED DATE
G.T.	M.S.	N.I.	8/16/62

GENERAL NOTES

DESIGN SPECIFICATIONS: This structure conforms to the requirements of "Design Specifications for Highway Structures" of the State of Ohio, Department of Highways, dated September 1, 1957, together with current revisions thereof.

REFERENCE is made to Standard Drawings and Supplemental Specifications as listed on Sheet No. 1.

ELEVATIONS: All elevations are in feet and refer to mean tide at New York City.

CONCRETE DECK PLACING: In order to facilitate water curing of the concrete of the deck slab, the placing of concrete shall progress upgrade. The slab shall be poured continuously from expansion joint to expansion joint and no construction joints shall be permitted.

MACHINE FINISH: At the Contractor's option, the concrete bridge deck may be finished by the use of a finishing machine.

WATER-REDUCING, SET-RETARDING ADMIXTURES shall be furnished and incorporated into the concrete for the bridge superstructure in accordance with Item 5-101 "Water-Reducing, Set-Retarding Admixtures For Concrete."

WELDING of structural steel shall be "Class A" except as otherwise shown. Welds shown as field welds may, at the option of the Contractor, be made in the shop. Class "B" welds are shown thus:



GUARD RAIL: Shall be painted white in accordance with Section I-15.07 of the Construction and Material Specifications.

WROUGHT IRON protection sleeves shall be standard plate in accordance with ASTM Specifications A-42 "Wrought Iron Plates." Painting of sleeves shall be in accordance with 5-29.08. Payment for painting shall be included in the contract unit price bid per pound for Item 5-7 "Wrought Iron Sleeves For Piers."

SHOP PAINTING STEEL: The surface preparation of all steel, requiring shop painting as per Plans and Specifications, shall be accomplished by blast cleaning or power tool cleaning, except as noted in the Specifications regarding the use of chromate primers.

ABUTMENT PILES: Shall be driven to firm contact with bedrock using a pile hammer of not less than 15,000 ft. lbs. energy rating. Firm contact will be considered as attained when the bearing capacity according to the formula in Sec. 5-18.05 is not less than 60 tons per pile and the pile tips have penetrated to bedrock. According to the borings, bedrock is at Elevation 529 for the North Abutment and at Elevation 533 for the South Abutment.

FOR FENDER TIMBER PILE details see Sheet No. 11.

FOUNDATION BEARING PRESSURE: Shafts are designed for a maximum bearing pressure of 25 tons per square foot at the bottom of the shaft.

Care must be taken in the placement of piles and/or caissons through the rock dike to avoid displacement of the slope protection material.

Any cofferdams required for the construction of piers above Elevation 569.0' are included in the bid price per cubic yard for Item 5-1 "Class 'C' Concrete Piers," above elevation 569.0'.

FIELD OFFICE: The Contractor shall, in accordance with Sec. 5-0.01(b), provide, for the exclusive use of the State's employees, a suitable field office having a minimum of 500 sq. ft. of floor space. The Contractor shall have a telephone installed and maintained and shall provide and install wiring and outlets suitable for connecting electric lights and office equipment in the field office and provide 110 volt alternating current during the construction of this project.

The field office shall be located on the south shore of the bay, at the discretion of the Engineer, where it is accessible to a highway and shall remain in one location for the duration of the project.

The Contractor shall provide and maintain docking facilities for two (2) 14 foot boats and one (1) 16 foot by 8 foot pontoon barge at a location acceptable to the Engineer. The docking facilities shall be considered as part of the field office.

MAINTENANCE AND PROTECTION OF NAVIGATION

The Contractor shall conduct his Work in conformity with the requirements of the Corps of Engineers, U.S. Army, the United States Coast Guard and all other Authorities having jurisdiction, so as not to obstruct or endanger navigation. The Contractor shall assume all obligations of these requirements as apply to his Work.

The Contractor shall secure from said Authorities all necessary permits for the construction of any temporary items of his plant within the navigable portion of the bay, including all wharves, docks, falsework, staging, anchoring devices and the disposal of excavated materials, and for the occupancy of the bay by his plant during the construction of the permanent Work, and shall at all times keep these Authorities fully informed regarding the location of his plant, equipment, and construction work, so that he can keep navigators of the bay informed relative to the location of such obstructions. All temporary structures in the bay shall be promptly removed upon completion of the work to the satisfaction of the Authorities.

The Contractor will be required to conduct his Work in such manner as to obstruct navigation as little as possible, and in case the Contractor's plant so obstructs the bay as to make difficult or endanger the passage of vessels, said plant shall be promptly moved on the approach of any vessel to such an extent as may be necessary to afford a practicable passage.

The Contractor shall display signal lights and conduct his operations in accordance with the General Regulations of the Department Of The Army and of the Coast Guard governing lights and day signals to be displayed.

Should the Contractor during the progress of the Work sink, lose, or throw overboard any material, plant, machinery or equipment which may be dangerous to or obstruct navigation, he shall forthwith recover or remove such obstructions.

The Contractor shall give immediate notice to the proper Authorities of such obstructions and if required, he shall, under the direction of such Authorities, mark or buoy such obstructions until they are removed.

The Contractor shall obtain from the proper Authorities all permits and licenses necessary to carry on his Work, shall pay any fees or charges required, and shall be responsible for conducting his operations in accordance with the provisions of such permits. Copies of all permits, as secured, shall be filed with the Engineer.

All of the above shall be paid for at the lump sum price bid for Item I-3, Maintaining Traffic, As Per Plan.

ITEM 5-1, SPECIAL, PIER SHAFTS UP TO ELEVATION 569.0

DESCRIPTION: This Item shall consist of furnishing all labor, equipment and materials (except reinforcing steel) necessary to construct the pier shafts up to elevation 569.0 in accordance with the Plans, these Specifications and applicable sections of the Construction and Material Specifications.

Included in this Item shall be work casings or enclosures including their driving or drilling, cofferdams and their construction, all forms and bracing, pumping, excavation and disposal of all encountered materials, ventilation of shaft, in-shaft conveyance for Engineer and Inspectors, sand backfill and any additional material or labor necessary to complete this Item.

MATERIALS: Concrete shall be Class "C" in accordance with Section 5-1 of the Construction and Material Specifications, and shall be placed in the dry unless, in the opinion of the Director, the conditions require that a seal coat be placed underwater.

CONSTRUCTION METHODS: The Plans show the final construction required. Excavation for and construction of the pier shafts shall be accomplished by any suitable means, subject to the approval of the Director, but such approval will not relieve the Contractor of the responsibility for the satisfactory performance of his methods and the completion of this item.

The excavation should be protected at all times by sheet piling, steel casing or driving shell of sufficient strength to withstand the pressure of the surrounding soil and hydrostatic pressure.

Each shaft shall be adequately ventilated and the shaft head shall be attended at all times when workmen, Engineers or Inspectors are within it.

If the top of undisturbed bedrock (Elevation A, sheet #10) is determined by the Engineer to vary from that shown on the Plans, the total depth of excavation shall be changed to provide a depth into undisturbed bedrock corresponding with Depth "H."

After an excavation is completed, the hole shall be pumped dry for inspection by the Engineer. Any loose or shattered rock or other material shall be removed. After the Engineer approves the excavation, construction of the pier shaft may proceed.

The pier shaft concrete shall be placed against undisturbed rock for the full depth of the socket and in one continuous operation from the bottom of the shaft to Elevation 569.0 unless a seal coat is required. In case of emergency shut downs, construction joints shall be formed in accordance with the requirements of the Construction and Material Specifications.

Driving shells or steel casings of plan diameter may be left in place in the finished structure from top of rock to Elevation 569.0.

Any excavation outside the plan diameter of the pier shafts above the top of rock shall be backfilled with sand meeting the requirements of Section M-2 of the Construction and Material Specifications.

METHOD OF MEASUREMENT: The total pier shaft quantity to be paid for shall be the number of cubic yards of concrete computed from the plan diameter of the shaft and on the length of the shaft actually placed and accepted up to Elevation 569.0. No deduction will be made for the volume of the reinforcing steel.

BASIS OF PAYMENT: The quantity measured as provided above shall be paid for at the contract unit price bid per cubic yard of concrete for "Item 5-1, Special, Pier Shafts up to Elevation 569.0." This compensation shall constitute full payment for all material (other than reinforcing steel), labor, cofferdams, equipment and incidentals necessary to complete the shafts in accordance with the Plans.

Reinforcing steel will be paid for as "Item 5-4, Reinforcing Steel."

CONSTRUCTION LAYOUT STAKES: See note in proposal describing the work included in this lump sum pay item.

ITEM 5-13, BRIDGE TIMBER FOR FENDERS

MATERIAL: All timber shall be pressure creosoted white oak, red oak or cypress, square edge and sound.

ITEM 5-18 TIMBER PILES - FENDERS

All timber piles shall be pressure creosoted white oak, red oak or cypress.

The unit price bid for "timber piles, creosoted" shall also include the cost of 3/8" #6 x 19 galvanized cable and clamps, any steel driving points required, and the holes through piles (including pressure treatment of holes) for attachments to the piling.

FEDERAL AID CONSTRUCTION IDENTIFICATION SIGNS: The Contractor shall furnish, erect, maintain and subsequently remove Federal Aid Construction Identification sign at the same location as the existing sign for the Causeway Construction (approximate Sta. 13+20, Ramp "B" of OTT-2-27.36; ERI-2-0.15).

The sign shall be in accordance with design N-44(2) 102 on Standard Drawing FACI-1 and mounted in accordance with Standard Drawing FACI-2. For additional details see note in proposal.

SANDUSKY BAY BRIDGE
BR. No. OTT-2-2904
OTTAWA COUNTY & ERIE COUNTY
GENERAL NOTES

E. LIONEL PAVLO
CONSULTING ENGINEER
NEW YORK, N.Y.

Revised - 10-25-63

DESIGNED BY:	DRAWN BY:	CHECKED BY:	REVIEWED:	DATE:
H. B.	A. B.	G. T.	E. L. P.	12/19/62

GENERAL NOTES (ELECTRICAL)

FED. RD. DIVISION	STATE	PROJECT
2	OHIO	F-1042(15)

OTTAWA COUNTY
OTT-2-28.41
ERIE COUNTY
ERI-2-0.00

ITEM S-25, SPECIAL, NAVIGATION AND FENDER LIGHTING SYSTEM

DESCRIPTION: The Work under this Item shall consist of furnishing all labor, equipment and materials (except conduit and junction boxes) necessary for the installation of a complete and operating navigation and fender lighting system in accordance with the Plans, these Specifications, ITEM S-25 of the Construction and Material Specifications, in full compliance with the requirements of the local utility company, the United States Coast Guard, Corps of Engineers, all governing codes and ordinances and as directed by the Engineer.

MATERIALS: All materials shall be as called for on the Plans or approved equal.
All cable for this system shall be copper, NEC TYPE RHW, Neoprene sheath, 600-volt insulation.

CONSTRUCTION METHODS: In addition to the requirements of the Construction and Material Specifications, the Contractor shall make all necessary arrangements with the local utility company for the final connection and energizing of the system and pay for all power, permits and fees incidental therefor. He shall conduct, at his own expense, all necessary tests as may be required by all authorities concerned and pay for all power consumed prior to the acceptance of the Work by the Engineer.

All steel shall be painted in accordance with item S-8 of the Construction and Material Specifications.
The Contractor shall be required to furnish and install all materials necessary for the proper completion of the Work even if such materials are not specifically covered by the Plans and Specifications.

BASIS OF PAYMENT: This item shall be paid for at the contract lump sum price bid for ITEM S-25, Special, Navigation and Fender Lighting System which price and payment shall constitute full compensation for furnishing all materials, except as provided below, labor, equipment, tools and incidentals necessary to perform the work, according to the Plans and Specifications, complete in place, operating and accepted by the Engineer.

Conduit and junction boxes shall be paid for under their respective items.

ITEM S-25, SPECIAL, ANCHOR BOLTS FOR FUTURE LIGHTING STANDARDS

DESCRIPTION: The Work under this item shall consist of furnishing all labor, material and equipment necessary for the installation of the anchor bolts for future lighting standards in accordance with the Plans and these Specifications.

MATERIALS: Washers, nuts and plates shall meet the Specifications of ASTM A-242 with resistance to atmospheric corrosion four times greater than ASTM A-7 steel. Anchor bolts shall be fabricated from steel A131 C1035. Hot rolled special quality, minimum yield strength 46000 P.S.I. This specification is identical to ASTM A-107 Grade 1035, Special Quality.

All other material shown on the Plans incidental to the setting and protection of the bolts shall be good commercial grade and acceptable to the Engineer.

CONSTRUCTION METHODS: All anchor bolts shall be set plumb and by means of template prior to placing of concrete. Contractor shall submit shop drawings showing complete installation of the bolts for the approval of the Engineer prior to ordering any materials.

METHOD OF MEASUREMENT AND BASIS OF PAYMENT: Anchor bolts will be paid for by the actual number of anchor bolt assemblies for future lighting standards placed in the structure and accepted by the Engineer. This quantity shall be measured and paid for at the contract unit price bid for "ITEM S-25, Special, Anchor Bolt Assemblies for Future Lighting Standards" which price shall constitute full compensation for all materials, including steel plates, #0 ground wire, pipe sleeves, washers, nuts, bolt protection and all labor, equipment and incidentals necessary to complete the work.

ELECTRICAL GROUNDS FOR FUTURE LIGHT STANDARDS: A #0 bare copper wire shall be encased in curb or parapet concrete at each anchor bolt assembly. One end shall be fastened to an anchor bolt of the assembly the other to the 2" conduit from the junction box. Fastening may be accomplished by using approved clamps or exothermic welds. Welding shall not be applied to any surface required to be galvanized.

ITEM S-25, SPECIAL, CAST IRON JUNCTION BOX, 24"X18"X10" (galv.)

ITEM S-25, SPECIAL, CAST IRON JUNCTION BOX, 12"X10"X8" (galv.)

ITEM S-25, SPECIAL, CAST IRON JUNCTION BOX, 10"X10"X6" (galv.)

DESCRIPTION: The Work under these Items shall consist of furnishing and installing cast iron junction boxes of the size specified in accordance with the Plans, these Specifications, Item S-25 of the Construction and Material Specifications and as directed by the Engineer.

MATERIALS: 24"X18"X10" cast iron junction boxes shall be O.Z. Electrical Manufacturing Company Catalog No. YR 241810; 12"X10"X8" boxes shall be same manufacturer, Catalog No. YR 121008; 10"X10"X6" boxes shall be same manufacturer, Catalog No. YH 101006; or equivalent styles and sizes as manufactured by "Spring City" or approved equal.

All nuts, screws and bolts for the boxes shall be stainless steel. All conduits shall be equipped with locknuts and grounding bushings. Bushings shall have a nonmetallic insulating ring as manufactured by Thomas & Betts, the O.Z. Manufacturing Company or an approved equal.

METHOD OF MEASUREMENTS: The cast iron junction boxes to be paid for will be the actual number of each size of box in place, complete and accepted.

BASIS OF PAYMENT: The number of boxes, measured as provided above, shall be paid for at the contract unit price bid for each size of box which price and payment shall constitute full compensation for furnishing all materials, including all conduit connections to boxes, labor, equipment and tools necessary to complete each of the Items.

ITEM S-25, SPECIAL, 2" DIAMETER GALVANIZED STEEL CONDUIT

DESCRIPTION: The Work under this Item shall consist of furnishing and installing 2" dia. galvanized steel conduit and all other appurtenances to the conduit system including but not limited to flexible bronze hose, conduit expansion devices, excavation and backfilling, concrete, necessary fittings and drag wire in accordance with the Plans, these Specifications and Item S-25 of the Construction and Material Specifications.

MATERIALS AND CONSTRUCTION METHODS: The 2" galvanized steel conduit shall conform to Federal Specification WW-C-581. (Welded, zinc coated, after threading)

Flexible bronze hose shall be as manufactured by American Metal Hose Company or American Brass Company or approved equal complete with threaded couplings for connection to the rigid conduit.

Where conduits pass through an expansion section in the structure or where otherwise required, an expansion fitting as manufactured by O.Z. Manufacturing Co., Type AX, or equivalent style as manufactured by "Spring City" or approved equal shall be used. Care shall be exercised to see that no concrete comes in contact with the free riding end of the conduit at the expansion fitting.

All conduit for the future lighting system shall be provided with #10 AWG galvanized steel drag wire.

All concrete for encasing conduit buried in ground shall be Concrete Class "C".

All exposed conduit shall be supported by approved conduit clamps, malleable galvanized iron straps (secured by screws or bolts) or other approved supports.

METHOD OF MEASUREMENT: This Work will be measured for payment by the actual number of linear feet of conduit, complete and accepted and measured in place along the centerline of the conduit. The measured length shall be from end to end through all flexible bronze hose, expansion devices, and fittings.

BASIS OF PAYMENT: The Work will be paid for at the contract unit price bid per linear foot for "Item S-25, Special, 2" Diameter Galvanized Steel Conduit" which price shall include all materials, including bronze hose, drag wire, expansion devices, bonding jumpers, fittings, concrete, excavation and backfilling, and all equipment, tools, labor, and work incidental thereof.

ESTIMATED QUANTITIES							
ITEM	TOTAL	UNIT	DESCRIPTION	SUPERST	PIERS	ABUTS	GEN'L
E-2	426	Cu. Yds.	Excavation for Structures, unclassified			426	
S-1	299	Cu. Yds.	Class "E" Concrete, Abutments			299	
S-1	3669	Cu. Yds.	Class "C" Concrete, Piers above Elevation 569.0		3669		
S-1	3356	Cu. Yds.	Special, Pier shafts up to Elevation 569.0, as per plan		3356		
S-1	5108	Cu. Yds.	Class "C" Concrete, Superstructure (incl. diaphragms)	5108			
S-3	16	Lin. Ft.	Waterproofing, Premolded Sealing Strip			16	
S-4	2786936	Lbs.	Reinforcing Steel	1548182	218423	19331	
S-7	122210	Lbs.	Structural Steel, Expansion Joints & Gutters	122210			
S-7	120300	Lbs.	Wrought Iron Sleeves for Piers		120300		
S-7	100	Each	Expansion Bearing Device (EB-1), including painting	100			
S-7	100	Each	Expansion Bearing Device (EB-2), including painting	100			
S-7	80	Each	Fixed Bearing Device (FB-1), including painting	80			
S-8	122210	Lbs.	Field Painting of Structural Steel	122210			
S-13	17.725	M.B.F.	Bridge Timber Fenders (Creosoted)				17.725
S-14	4153	Lin. Ft.	Railing (Aluminum Rail Supports & Concrete Parapet)	4086		67	
S-14	2044	Lin. Ft.	Guard Rail (Type I-15.11 Double-faced with Galvanized Steel Posts & Bolts)		2044		
S-16	Lump	Sum	First Test Pile - Steel				Lump
S-18	3482	Lin. Ft.	Steel Piles, 12 BP53			3482	
S-18	6320	Lin. Ft.	Timber Piles, Creosoted assemblies				6320
S-25	Lump	Sum	Special Navigation and Fender Lighting System				Lump
S-25	32	Each	Special, Anchor Bolt for Future Lighting Standards	32			
S-25	8	Each	Special, Cast Iron Junction Box, 24"X18"X10" (galv.)	8			
S-25	30	Each	Special, Cast Iron Junction Box, 12"X10"X8" (galv.)	28	2		
S-25	10	Each	Special, Cast Iron Junction Box, 10"X10"X6" (galv.)		10		
S-25	340	Lin. Ft.	Special, 2" Diameter Galvanized Wrought Iron Conduit		340		
S-29	64	Cu. Yds.	Porous Backfill			64	
S-29	272	Each	Scuppers, including Supports	272			
S-101	5108	Each	Water-Reducing, Set-Retarding Admixtures	5108			
S-105	130	Each	Prestressed Concrete Bridge Members (G1)				130
S-105	80	Each	Prestressed Concrete Bridge Members (G2)				80
S-105	20	Each	Prestressed Concrete Bridge Members (G3)				20
I-10	658	Sq. Yds.	Crushed Aggregate Slope Protection				658
S-25	5560	Lin. Ft.	2" dia. galv. steel conduit, as per plan	5450		110	
S-25	Lump	Sum	Electrical grounding system for conduit				Lump
S-25	2	Each	Steel Conduit Support Bracket, Galvanized		2		
I-3	Lump	Lump	Maintaining Traffic, As Per Plan				Lump
	Lump	Lump	Construction Layout Stakes				Lump

ELECTRICAL GROUNDS FOR CONDUIT SYSTEM: shall consist of #0 bare copper wires fastened to a steel piles, extending up thru abutment concrete and fastened to the conduit. A separate #0 wire shall be used to ground each run of conduit passing thru the North Abutment. Fastening of ground wire may be accomplished by use of approved clamps or exothermic welds. Also included in this item will be the #0 ground wires (set 20) that is encased in piers 11 & 12. Exothermic welding shall not be used on any surface required to be galvanized.

ITEM S-25, SPECIAL 2" DIA. GALVANIZED WROUGHT IRON CONDUIT
All conduit mounted on timber fenders shall be 2" galvanized wrought iron conduit, Class "A" - Standard Weight, in conformance with Federal Specification WW-P-44 1b. Pipe - Wrought Iron (Welded, Zinc coated - After Threading).

SANDUSKY BAY BRIDGE
BR. No. OTT-2-2904
OTTAWA COUNTY & ERIE COUNTY
GENERAL NOTES AND
ESTIMATED QUANTITIES

E. LIONEL PAVLO
CONSULTING ENGINEER
NEW YORK, N.Y.

DESIGNED BY: G.T. DRAWN BY: A.B. CHECKED BY: N.I. REVIEWED: 8.2.8 DATE: 12/19/62

OTTAWA COUNTY
OTT-2-28.41
ERIE COUNTY
ERI-2-0.00

BORING No. 1
STATION 106+98 C

ELEV.	Blows on Sampler				Boring Log	Sample No.	Ohio Group Designation	Description
	0"-6"	6"-12"	12"-18"	18"-24"				
572.17								Water
562.33								
558.17		1/18"				1	A-6a	Silt & Clay
553.17		1/18"				2	A-6b	Silty Clay
547.17		1/12"	1			3	A-4a	Sandy Silt
545.17	3	2	3			4a		
543.17	1	2	3			4b		
542.17		1/12"	2			A-3a		Coarse & Fine Sand
538.17	3	4	4			4c		
535.17	32	76	51			5	A-4a	Sandy Silt
530.17	36	38	52			6	A-4a	Sandy Silt
528.67								
525.67	19	15	27			6B	A-6b	Silty Clay
524.07								Broken Limestone
520.67						R-1	A-6b	Silty Clay
517.17						R-2		Broken & Disintegrated Limestone with vertical and horizontal seams
516.42						R-3		
515.42						R-4		
511.67						R-5		
507.67						R-6		
505.17						R-7		
500.17						R-8		Limestone 91.5% Recovery

BORING No. 2
STATION 110+45 C

ELEV.	Blows on Sampler				Boring Log	Sample No.	Ohio Group Designation	Description
	0"-6"	6"-12"	12"-18"	18"-24"				
571.92								Water
561.76								
559.43		Failed				1A	A-5	Elastic Silt & Clay
557.91		1/18"				1	A-4a	Sandy Silt
553.0	4	4	3			2	A-4b	Silt
551.42		Pressed				3	A-5	Fine Sand
548.92	4	5	6			4	A-6a	Silt & Clay
541.92		Pressed				5	A-6b	Silty Clay
540.17	5	4	4			6	A-6c	Silty Clay
536.09		Pressed				7	A-6c	Silty Clay
529.25	50	90	110			8	A-4a	Sandy Silt
518.32								Limestone 86.6% Recovery
513.32								Broken Limestone 96.6% Recovery

BORING No. 3 & 3A
STATION 113+43 63' Lt.

ELEV.	Blows on Sampler				Boring Log	Sample No.	Ohio Group Designation	Description
	0"-6"	6"-12"	12"-18"	18"-24"				
572.17								Water
561.67								
558.17		1/18"				1	A-3a	Coarse & Fine Sand
556.17		Pressed				2	A-4a	Sandy Silt
551.17	2	4	8			3	A-3	Fine Sand
548.67								Coarse & Fine Sand
547.17		Pressed				4	A-6b	Silty Clay
536.17	1	2	2			5	A-7-6	Clay
535.17	3	13	52			6	A-6a	Silt & Clay
531.67								Silty Clay
527.17	22	38	85			7	A-6b	Silty Clay
525.50	31	39	72			8	A-6b	Silty Clay
525.00						R-1		Broken Limestone Limestone-60% Recovery
519.00						R-1		Broken Limestone 30% Recovery
515.00						R-2		Broken Limestone 13.2% Recovery
						R-3		
						R-4		

BORING NOTES:

Casing (I.D.) - 4" Soil Sampler - 3" Shelby Tube
 3" N.X. - 1.375" Hausel & Split Spoon
 Hammer Weight - 300 lbs. Hammer Weight - 140 lbs.
 Hammer Fall - 24" Hammer Fall - 30"
 Rock Core Diameter - 2" & 1 1/2" Sampling Method - 3" Shelby Pressed
 R = Coring Run. Hausel & Split Spoon-Driven

SUMMARY OF SAMPLES TAKEN

Boring Number	FOOTAGE			Recovered Rock	SAMPLES TAKEN		Total
	Overburden Drilled (ft.-in.)	Rock Cored (ft.-in.)	Jar		Hausel	Shelby	
					Tubes		
1	50' 6"	24' 6"	13' 11"	4	2	-	6
2	51' 6"	10' 0"	9' 2"	3	2	3	8
3	53' 6"	5' 0"	0' 4"	6	-	2	8
3A	48' 6"	11' 6"	5' 3"	-	-	-	-
3B	46' 10"	5' 0"	1' 2"	5	-	2	7
3C	45' 6"	30' 6"	21' 10"	4	1	2	7
4	52' 0"	10' 0"	9' 8"	3	3	1	7
5	46' 4"	10' 8"	10' 0"	3	3	1	7
6	51' 3"	12' 9"	11' 10"	3	3	1	7
7	48' 6"	9' 6"	6' 8"	3	3	1	7
7A	48' 2"	17' 4"	4' 1"	5	1	1	7
8	45' 6"	10' 0"	9' 8"	4	2	2	8
TOTAL	588' 1"	156' 9"	103' 7"	43	20	16	79

Boring Number	Natural Moisture Content	Grain-size Analysis Sieving and Hydrometer	Grain-size Analysis Sieving Only	Sets of Atterberg Limits (LL, PL, PI)	Unconfined Compression Tests	Triaxial Compression Tests
2	10	7	1	7	2	1
3	11	7	2	6	-	1
3A	-	-	-	-	-	-
3B	8	7	1	6	-	-
3C	7	6	-	5	1	-
4	7	7	-	7	3	-
5	9	4	-	4	3	1
6	9	4	-	4	3	1
7	7	4	-	4	3	-
7A	9	7	-	7	1	-
8	10	6	1	6	1	1
TOTAL	93	62	6	59	19	6

The tests were carried out in accordance with the prescribed procedure of the American Society for Testing Materials. Soil legend and classification in accordance with chart established by Ohio State Highway Department Soil Testing Laboratory. For Location of Borings see Sheet No. 2

BORING No. 3B
STATION 113+78 58' Lt.

ELEV.	Blows on Sampler				Boring Log	Sample No.	Ohio Group Designation	Description
	0"-6"	6"-12"	12"-18"	18"-24"				
571.92								Water
561.42								
557.42		1/18"				1	A-4b	Silt
555.42		Pressed				2	A-3a	Coarse & Fine Sand
549.42	6	11	16			3	A-3a	Coarse & Fine Sand
541.92	2	3	4			4	A-6b	Silty Clay
537.42		Pressed				5	A-7-6	Clay
534.92	3	4	11			6	A-4a	Sandy Silt
528.92	80	180/2"				7	A-4a	Sandy Silt
523.08						R-1		Small Fragments Limestone

BORING No. 3C
STATION 113+74 54' Lt.

ELEV.	Blows on Sampler				Boring Log	Sample No.	Ohio Group Designation	Description
	0"-6"	6"-12"	12"-18"	18"-24"				
572.25								Water
561.85								
558.25		1/18"				1	A-7-5	Elastic Clay
553.25	2	6	10			2	A-2-4	Gravel Fragment with Sand & Silt
546.75	12	14	9			3	A-3	Fine Sand
545.25	4	4	6			4	A-7-6	Clay
536.75		Pressed				5	A-7-6	Clay
535.25		Pressed				6	A-6b	Silty Clay
534.25	22	78	100/4"			7	A-6b	Silty Clay
530.75								Broken Limestone-16.4%
529.75								
525.75						R-1	A-6b	Silty Clay
519.75						R-2		Broken Limestone 34.5% Recovery
514.75						R-3		Limestone 70% Recovery
509.75						R-4		Limestone 90.9% Recovery
504.25						R-5		Limestone 86.4% Recovery
499.75						R-6		Limestone 100% Recovery

BORING No. 4
STATION 116+75 C

ELEV.	Blows on Sampler				Boring Log	Sample No.	Ohio Group Designation	Description
	0"-6"	6"-12"	12"-18"	18"-24"				
571.92								Water
561.92								
557.92		2	4			1	A-6a	Silt & Clay
552.67	8	10	13			2	A-7-6	Clay
550.92	4	4	4			3	A-6b	Silty Clay
540.92		Pressed				4	A-7-6	Clay
536.92	4	5	6			5	A-6a	Silt & Clay
526.42	38	61	150/3"			6A	A-4a	Sandy Silt
522.92	150	-	-			7		Broken Limestone
517.92						R-1		Limestone 97% Recovery
512.92						R-2		Limestone 98.4% Recovery

SANDUSKY BAY BRIDGE
BR. No. OTT-2-2904
OTTAWA COUNTY & ERIE COUNTY
BORING LOGS

E. LIONEL PAVLO
CONSULTING ENGINEER
NEW YORK, N.Y.

DESIGNED BY: M.K. DRAWN BY: P.R. CHECKED BY: M.K. REVIEWED: DATE: 8/2/82 12/19/82

MICROFILMED
APR 8 1985

FED. RD. DIVISION	STATE	PROJECT
2	OHIO	F-1042(15)

6
21

OTTAWA COUNTY
OTT-2-28.41
ERIE COUNTY
ERI-2-0.00

BORING No. 5 STATION 117+50 28' Rt.							
ELEV.	Blows on Sampler			Boring Log	Sample No.	Ohio Group Designation	Description
	0"-6"	6"-12"	12"-18"				
572.08				▽			Water
562.00							
559.58	1	2	3		1	A-7-6	Clay
552.08	8	11	12		2	A-6b	Silty Clay
547.58	6	7	9		3	A-6b	Silty Clay
541.92	Pressed				4	A-6a	Silt & Clay
537.41	Pilled				5	A-6b	Silty Clay
529.58	18	38	66		6	A-8-4	Gravel & Stone Fragments with Sand & Silt
523.08					R-1		Limestone 91% Recovery
518.08					R-2		Limestone 96.6% Recovery

BORING No. 6 STATION 120+29 17' Rt.							
ELEV.	Blows on Sampler			Boring Log	Sample No.	Ohio Group Designation	Description
	0"-6"	6"-12"	12"-18"				
572.17				▽			Water
561.57							
557.17	2	2	3		1	A-7-6	Clay
552.17	3	4	7		2	A-6a	Silt & Clay
547.67	3	4	4		3	A-6b	Silty Clay
545.17	Pressed				4	A-6b	
536.59	2	2	2		5	A-6b	Silty Clay
535.17	30	56	77		6	A-6a	
527.34	56	65	70		7	A-6a	Silt & Clay
525.67	100/8"				8	A-3a	Coarse & Fine Sand
519.17					R-1		Broken Limestone 87.6% Recovery
					R-2		Limestone 95.8% Recovery
511.17					R-3		Limestone 95.8% Recovery

BORING No. 7 STATION 123+96 2' Lt.							
ELEV.	Blows on Sampler			Boring Log	Sample No.	Ohio Group Designation	Description
	0"-6"	6"-12"	12"-18"				
572.17				▽			Water
562.17							
558.67	1/12"				1	A-7-6	Clay
552.17	3	5	6		2	A-6b	
547.67	3	4	5		3	A-6b	
542.67	2	2	2		4	A-6b	Silty Clay
536.67	Pressed				5	A-6b	
533.42	3	3	4		6	A-6a	Silt & Clay
528.67	55	132	-		7	A-6b	Silty Clay
523.17					R-1 R-2 R-3		Broken Limestone-50% 87.5% Recovery 93.8% Recovery

BORING No. 7A STATION 123+96 2' Rt.							
ELEV.	Blows on Sampler			Boring Log	Sample No.	Ohio Group Designation	Description
	0"-6"	6"-12"	12"-18"				
572.00				▽			Water
562.00							
558.00	1/12"				1	A-7-6	
553.00	Pressed				2	A-7-6	Clay
550.00							
547.00	4	4	5		3	A-6b	Silty Clay
545.00	1	1	2		4	A-7-6	
540.00	1	1	1		5	A-7-6	Clay
536.50							
533.33	4	5	6		6	A-6a	Silt & Clay
529.25	56	115	-		7	A-6b	Silty Clay
525.00					R-1		Broken Limestone 90.8% Recovery
522.00					R-2		Broken Limestone 80.3% Recovery
519.50					R-3		
514.50					R-4		Limestone
509.50					R-5		

BORING No. 8 STATION 127+43 4' Rt.							
ELEV.	Blows on Sampler			Boring Log	Sample No.	Ohio Group Designation	Description
	0"-6"	6"-12"	12"-18"				
572.13				▽			Water
562.88							
560.88	1/12"				1	A-7-6	Clay
555.17	Pressed				2	A-7-6	
548.63	4	6	8		3	A-6b	Silt & Clay
544.63	Pressed				4	A-6b	Clay
540.63	1	2	2		5	A-6b	
536.63	4	6	11		6	A-6b	Silty Clay
534.13	11	17	100		7	A-6b	
531.63	14	14	16		7A		
529.63	27	83	100/1"		8	A-1a	Gravel & Stone Fragments
524.63					R-1		Limestone 93.4% Recovery
519.63					R-2		Limestone 100% Recovery

For Boring Notes and Sample Summary, See Sheet No. 5
For Location of Borings see Sheet No. 2

SANDUSKY BAY BRIDGE
BR. No. OTT-2-2904
OTTAWA COUNTY & ERIE COUNTY
BORING LOGS

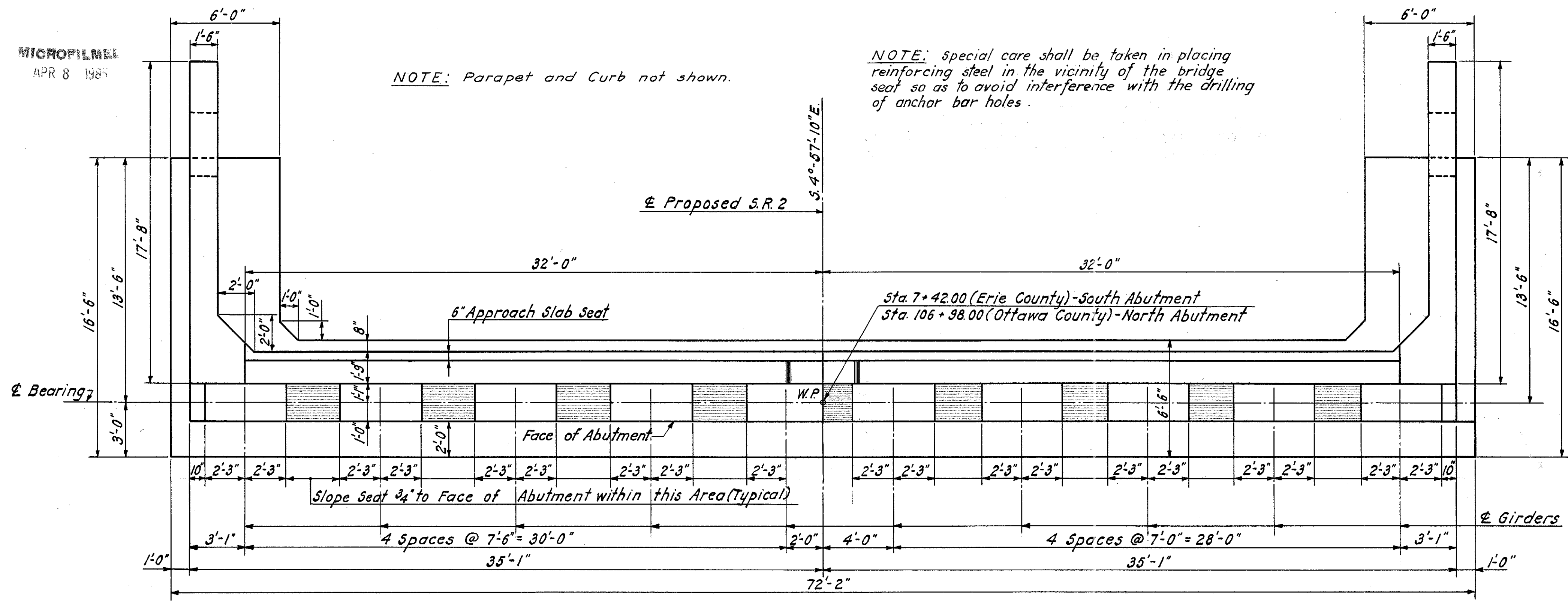
E. LIONEL PAVLO
CONSULTING ENGINEER
NEW YORK, N. Y.

DESIGNED BY:	DRAWN BY:	CHECKED BY:	REVIEWED:	DATE:
M. K.	P. R.	M. K.	E. L. P.	12/19/62

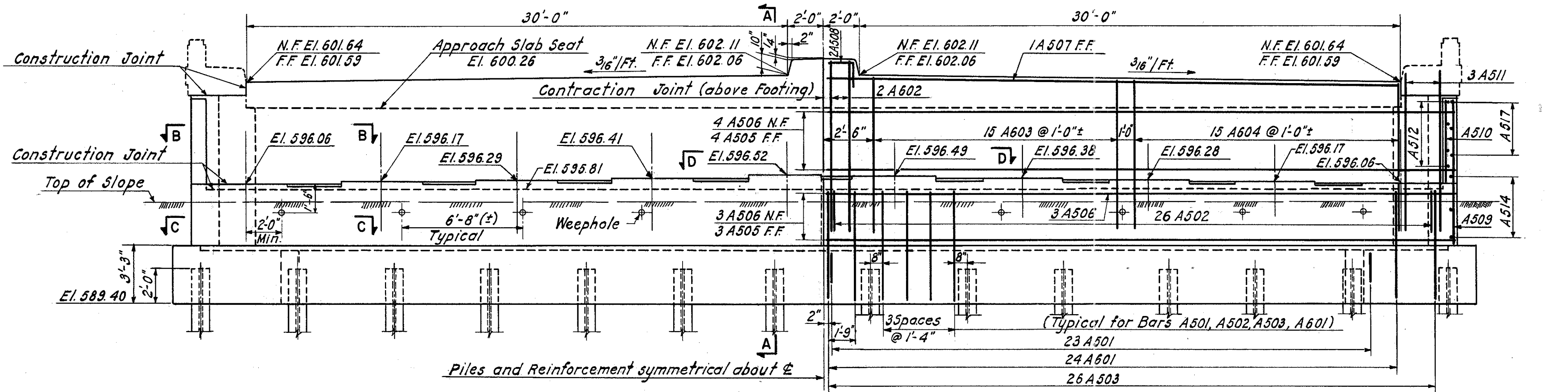
REINFORCING STEEL LIST

SUPERSTRUCTURE					ABUTMENTS					PIERS																																																																																																																																																																																																																																																																																																																																																																																																																																																																																																																																																																																																																																																																																																																																																																																																																																																																																																																																																																																																																																																																																																																																																																																																																																																																																																																																																																																																																							
MARK	NO.	LENGTH	WEIGHT	Shp.	BENDING DIAGRAMS	MARK	NO.	LENGTH	WEIGHT	Shp.	BENDING DIAGRAMS	MARK	NO.	LENGTH	WEIGHT	Shp.	BENDING DIAGRAMS																																																																																																																																																																																																																																																																																																																																																																																																																																																																																																																																																																																																																																																																																																																																																																																																																																																																																																																																																																																																																																																																																																																																																																																																																																																																																																																																																																																																																
S 401	2728	5'-10"	10630	B		A 501	92	8'-11"	856	B		P 501	924	12'-5"	11966	B																																																																																																																																																																																																																																																																																																																																																																																																																																																																																																																																																																																																																																																																																																																																																																																																																																																																																																																																																																																																																																																																																																																																																																																																																																																																																																																																																																																																																	
S 402	1364	5'-5"	4935	B		S 403	1364	3'-7"	3265	B		S 404	2728	3'-7"	6530	B		S 405	1364	3'-2"	2886	B	S 501	3062	5'-9"	18364	B		A 505	28	33'-2"	369	S		P 505	1024	13'-2"	20471	B		S 502	32	2'-8"	*	S	S 503	32	16'-5"	*	S	S 504	336	20'-7"	*	S	S 505	304	15'-7"	*	S	S 506	160	9'-1"	1516	B		A 506	40	34'-2"	1425	S		P 506	1570	21'-9"	35616	B		S 507	736	9'-1"	6973	B	S 508	132	7'-7"	1513	B	S 509	1104	7'-7"	8732	B	S 510	736	5'-2"	3966	S	S 511	592	5'-8"	3499	S		A 507	4	31'-8"	132	S		P 507	264	4'-2"	1147	B		S 512	1168	6'-0"	7309	S	S 513	1168	6'-6"	7918	S	S 514	1728	3'-0"	5407	B	S 515	864	11'-9"	10588	B	S 516	144	4'-8"	701	S		A 508	8	2'-10"	24	B		P 508	880	6'-5"	5890	B		S 517	48	6'-1"	305	B	S 518	64	3'-9"	250	B	S 519	132	8'-7"	1719	B	S 520	128	6'-6"	868	B	S 521	64	11'-10"	790	B		A 509	16	7'-9"	129	S		P 601	176	15'-1"	3987	B		S 522	64	5'-11"	335	B	S 601	2879	35'-10"	154952	S		A 510	8	4'-5"	37	S		P 602	176	35'-4"	3340	S		S 602	2879	33'-10"	146304	S	S 603	2646	21'-0"	83460	S	S 604	36	14'-0"	757	S	S 605	576	35'-6"	30713	S	S 606	32	16'-6"	745	S		A 511	12	7'-11"	99	S		P 603	88	32'-3"	4263	S		S 607	8	3'-3"	39	S	S 608	492	6'-0"	4434	S	S 609	2116	10'-0"	31782	S	S 610	3744	37'-6"	210881	S	S 611	420	13'-10"	8727	S		A 512	24	3'-10"	96	S		P 1001	220	24'-0"	22720	S		S 612	2304	32'-0"	110739	S	S 701	2849	35'-10"	208670	S		A 513	48	9'-4"	487	S		P 1101	220	38'-10"	45391	B		S 702	2849	33'-10"	197023	S	S 801	888	4'-4"	10274	S		A 514	12	13'-2"	165	S		P 1102	220	32'-10"	38377	B		S 802	592	6'-0"	9484	S	S 803	592	6'-6"	10274	S	S 901	480	30'-0"	48960	S		A 515	12	9'-0"	113	S		P 1103	528	20'-0"	56105	S		S 1001	918	21'-0"	82953	S	S 1002	420	30'-0"	34218	S	S 1003	36	14'-0"	2169	S	S 1101	180	21'-0"	20083	S	S 1102	72	30'-0"	11476	S		A 516	24	5'-6"	138	S		P 1104	220	44'-0"	51430	S		S 801	888	4'-4"	10274	S	S 802	592	6'-0"	9484	S	S 803	592	6'-6"	10274	S	S 901	480	30'-0"	48960	S	S 1001	918	21'-0"	82953	S		A 517	12	19'-5"	243	S		P 1105	1144	17'-0"	103327	S		S 1002	420	30'-0"	34218	S	S 1003	36	14'-0"	2169	S	S 1101	180	21'-0"	20083	S	S 1102	72	30'-0"	11476	S	S 1101	180	21'-0"	20083	S		A 518	8	8'-7"	72	B		P 1106	1144	13'-3"	80534	S		S 1102	72	30'-0"	11476	S	S 1101	180	21'-0"	20083	S	S 1102	72	30'-0"	11476	S	S 1101	180	21'-0"	20083	S	S 1102	72	30'-0"	11476	S		A 519	4	8'-11"	37	B		P 1107	104	13'-0"	7183	S		S 1101	180	21'-0"	20083	S	S 1102	72	30'-0"	11476	S	S 1101	180	21'-0"	20083	S	S 1102	72	30'-0"	11476	S	S 1101	180	21'-0"	20083	S		A 520	4	10'-1"	42	B		P 1108	104	15'-9"	8703	S		S 1102	72	30'-0"	11476	S	S 1101	180	21'-0"	20083	S	S 1102	72	30'-0"	11476	S	S 1101	180	21'-0"	20083	S	S 1102	72	30'-0"	11476	S		A 521	4	11'-1"	46	B		P 1109	104	18'-0"	9946	S		S 1101	180	21'-0"	20083	S	S 1102	72	30'-0"	11476	S	S 1101	180	21'-0"	20083	S	S 1102	72	30'-0"	11476	S	S 1101	180	21'-0"	20083	S		A 522	12	4'-7"	57	B		P 1110	104	20'-3"	11189	S		S 1102	72	30'-0"	11476	S	S 1101	180	21'-0"	20083	S	S 1102	72	30'-0"	11476	S	S 1101	180	21'-0"	20083	S	S 1102	72	30'-0"	11476	S		A 523	16	5'-11"	99	B		P 1111	176	22'-6"	21039	S		S 1101	180	21'-0"	20083	S	S 1102	72	30'-0"	11476	S	S 1101	180	21'-0"	20083	S	S 1102	72	30'-0"	11476	S	S 1101	180	21'-0"	20083	S		A 524	12	6'-5"	90	B		P 1112	104	25'-2"	13908	S		S 1102	72	30'-0"	11476	S	S 1101	180	21'-0"	20083	S	S 1102	72	30'-0"	11476	S	S 1101	180	21'-0"	20083	S	S 1102	72	30'-0"	11476	S		A 525	16	6'-9"	113	B		P 1113	176	25'-6"	23845	S		S 1101	180	21'-0"	20083	S	S 1102	72	30'-0"	11476	S	S 1101	180	21'-0"	20083	S	S 1102	72	30'-0"	11476	S	S 1101	180	21'-0"	20083	S		A 526	24	17'-1"	428	S		P 1114	176	26'-6"	24780	S		S 1102	72	30'-0"	11476	S	S 1101	180	21'-0"	20083	S	S 1102	72	30'-0"	11476	S	S 1101	180	21'-0"	20083	S	S 1102	72	30'-0"	11476	S		A 527	4	12'-6"	52	S		P 1115	104	27'-1"	14963	S		S 1101	180	21'-0"	20083	S	S 1102	72	30'-0"	11476	S	S 1101	180	21'-0"	20083	S	S 1102	72	30'-0"	11476	S	S 1101	180	21'-0"	20083	S		A 528	48	6'-11"	346	B		P 1116	104	27'-9"	15333	S		S 1102	72	30'-0"	11476	S	S 1101	180	21'-0"	20083	S	S 1102	72	30'-0"	11476	S	S 1101	180	21'-0"	20083	S	S 1102	72	30'-0"	11476	S		A 529	16	17'-1"	*	S		P 1117	2024	32'-0"	344112	S		S 1101	180	21'-0"	20083	S	S 1102	72	30'-0"	11476	S	S 1101	180	21'-0"	20083	S	S 1102	72	30'-0"	11476	S	S 1101	180	21'-0"	20083	S		A 601	36	13'-2"	1899	B		P 1118	88	29'-6"	13793	S		S 1102	72	30'-0"	11476	S	S 1101	180	21'-0"	20083	S	S 1102	72	30'-0"	11476	S	S 1101	180	21'-0"	20083	S	S 1102	72	30'-0"	11476	S		A 602	8	21'-1"	253	B		P 1119	176	28'-6"	26650	S		S 1101	180	21'-0"	20083	S	S 1102	72	30'-0"	11476	S	S 1101	180	21'-0"	20083	S	S 1102	72	30'-0"	11476	S	S 1101	180	21'-0"	20083	S		A 603	60	19'-6"	1797	B		P 1120	192	26'-2"	26693	S		S 1102	72	30'-0"	11476	S	S 1101	180	21'-0"	20083	S	S 1102	72	30'-0"	11476	S	S 1101	180	21'-0"	20083	S	S 1102	72	30'-0"	11476	S		A 604	60	18'-11"	1705	B		P 1121	88	25'-0"	11689	S		S 1101	180	21'-0"	20083	S	S 1102	72	30'-0"	11476	S	S 1101	180	21'-0"	20083	S	S 1102	72	30'-0"	11476	S	S 1101	180	21'-0"	20083	S		A 605	32	9'-4"	449	B		P 1122	264	24'-6"	34364	S		S 1102	72	30'-0"	11476	S	S 1101	180	21'-0"	20083	S	S 1102	72	30'-0"	11476	S	S 1101	180	21'-0"	20083	S	S 1102	72	30'-0"	11476	S		A 606	44	5'-4"	352	B																																																																																																																																																																																																																																																																			
S 403	1364	3'-7"	3265	B		S 404	2728	3'-7"	6530	B		S 405	1364	3'-2"	2886	B		S 501	3062	5'-9"	18364	B		A 505	28	33'-2"	369		S		P 505	1024	13'-2"		20471	B		S 502	32		2'-8"	*	S	S 503	32	16'-5"	*	S	S 504	336	20'-7"	*	S	S 505	304	15'-7"	*	S	S 506	160	9'-1"	1516	B		A 506		40	34'-2"	1425	S			P 506	1570	21'-9"	35616	B			S 507	736	9'-1"	6973	B	S 508	132	7'-7"	1513	B	S 509	1104	7'-7"	8732	B	S 510	736	5'-2"	3966	S	S 511	592	5'-8"	3499		S		A 507	4	31'-8"		132	S		P 507	264		4'-2"	1147	B		S 512	1168	6'-0"	7309	S	S 513	1168	6'-6"	7918	S	S 514	1728	3'-0"	5407	B	S 515	864	11'-9"	10588	B	S 516		144	4'-8"	701	S			A 508	8	2'-10"	24	B			P 508	880	6'-5"	5890	B		S 517	48	6'-1"	305	B	S 518	64	3'-9"	250	B	S 519	132	8'-7"	1719	B	S 520	128	6'-6"		868	B	S 521	64	11'-10"		790	B		A 509	16		7'-9"	129	S		P 601	176	15'-1"	3987	B			S 522	64	5'-11"	335	B		S 601	2879	35'-10"	154952	S			A 510	8	4'-5"	37	S		P 602	176	35'-4"	3340	S		S 602	2879	33'-10"	146304	S	S 603	2646	21'-0"	83460	S	S 604	36		14'-0"	757	S	S 605	576		35'-6"	30713	S	S 606	32		16'-6"	745	S		A 511	12	7'-11"	99	S		P 603	88	32'-3"	4263	S		S 607	8	3'-3"	39	S	S 608	492	6'-0"	4434		S	S 609	2116	10'-0"	31782		S	S 610	3744	37'-6"	210881		S	S 611	420	13'-10"	8727	S		A 512	24	3'-10"		96	S		P 1001	220		24'-0"	22720	S		S 612		2304	32'-0"	110739	S	S 701	2849	35'-10"	208670	S			A 513	48	9'-4"	487	S			P 1101	220	38'-10"	45391		B		S 702	2849	33'-10"	197023	S	S 801	888	4'-4"	10274	S		A 514	12		13'-2"	165	S		P 1102		220	32'-10"	38377	B			S 802	592	6'-0"	9484	S	S 803	592	6'-6"	10274	S	S 901	480	30'-0"	48960	S		A 515	12	9'-0"	113	S		P 1103	528	20'-0"		56105	S		S 1001	918		21'-0"	82953	S	S 1002	420		30'-0"	34218	S	S 1003	36	14'-0"	2169	S	S 1101	180	21'-0"	20083	S	S 1102	72	30'-0"	11476	S		A 516	24	5'-6"	138	S			P 1104	220	44'-0"	51430	S			S 801	888	4'-4"	10274		S	S 802	592	6'-0"	9484	S	S 803	592	6'-6"	10274	S	S 901	480	30'-0"	48960	S	S 1001	918	21'-0"	82953	S		A 517	12	19'-5"		243	S		P 1105	1144		17'-0"	103327	S		S 1002		420	30'-0"	34218	S	S 1003	36	14'-0"	2169	S	S 1101	180	21'-0"	20083	S	S 1102	72	30'-0"	11476	S	S 1101	180	21'-0"	20083	S			A 518	8	8'-7"	72	B			P 1106	1144	13'-3"	80534		S		S 1102	72	30'-0"	11476	S	S 1101	180	21'-0"	20083	S	S 1102	72	30'-0"	11476	S	S 1101	180	21'-0"	20083	S	S 1102	72	30'-0"		11476	S		A 519	4		8'-11"	37	B		P 1107		104	13'-0"	7183	S		S 1101	180	21'-0"	20083	S	S 1102	72	30'-0"	11476	S	S 1101	180	21'-0"	20083	S	S 1102	72	30'-0"	11476	S		S 1101	180	21'-0"	20083	S			A 520	4	10'-1"	42		B		P 1108	104	15'-9"	8703	S		S 1102	72	30'-0"	11476	S	S 1101	180	21'-0"	20083	S	S 1102	72	30'-0"	11476	S	S 1101	180		21'-0"	20083	S	S 1102	72		30'-0"	11476	S		A 521		4	11'-1"	46	B		P 1109	104	18'-0"	9946	S		S 1101	180	21'-0"	20083	S	S 1102	72	30'-0"	11476	S	S 1101	180	21'-0"	20083		S	S 1102	72	30'-0"	11476		S	S 1101	180	21'-0"	20083		S		A 522	12	4'-7"	57	B		P 1110	104	20'-3"	11189	S		S 1102	72	30'-0"	11476	S	S 1101	180	21'-0"	20083	S	S 1102		72	30'-0"	11476	S	S 1101		180	21'-0"	20083	S	S 1102		72	30'-0"	11476	S		A 523	16	5'-11"	99	B		P 1111	176	22'-6"	21039	S		S 1101	180	21'-0"	20083	S	S 1102	72	30'-0"		11476	S	S 1101	180	21'-0"		20083	S	S 1102	72	30'-0"		11476	S	S 1101	180	21'-0"	20083	S		A 524	12	6'-5"	90	B		P 1112	104	25'-2"	13908	S		S 1102	72	30'-0"	11476	S		S 1101	180	21'-0"	20083	S		S 1102	72	30'-0"	11476	S		S 1101	180	21'-0"	20083	S	S 1102	72	30'-0"	11476	S		A 525	16	6'-9"	113	B		P 1113	176	25'-6"	23845	S		S 1101	180		21'-0"	20083	S	S 1102	72		30'-0"	11476	S	S 1101	180		21'-0"	20083	S	S 1102	72	30'-0"	11476	S	S 1101	180	21'-0"	20083	S		A 526	24	17'-1"	428	S		P 1114	176	26'-6"	24780	S			S 1102	72	30'-0"	11476		S	S 1101	180	21'-0"	20083		S	S 1102	72	30'-0"	11476	S	S 1101	180	21'-0"	20083	S	S 1102	72	30'-0"	11476	S		A 527	4	12'-6"	52	S		P 1115	104		27'-1"	14963	S		S 1101		180	21'-0"	20083	S	S 1102		72	30'-0"	11476	S	S 1101	180	21'-0"	20083	S	S 1102	72	30'-0"	11476	S	S 1101	180	21'-0"	20083	S		A 528	48	6'-11"	346	B			P 1116	104	27'-9"	15333		S		S 1102	72	30'-0"		11476	S	S 1101	180	21'-0"	20083	S	S 1102	72	30'-0"	11476	S	S 1101	180	21'-0"	20083	S	S 1102	72	30'-0"	11476	S		A 529	16		17'-1"	*	S		P 1117		2024	32'-0"	344112	S			S 1101	180	21'-0"	20083	S	S 1102	72	30'-0"	11476	S	S 1101	180	21'-0"	20083	S	S 1102	72	30'-0"	11476	S	S 1101	180	21'-0"	20083	S			A 601	36	13'-2"	1899		B		P 1118	88	29'-6"		13793	S		S 1102	72	30'-0"	11476	S	S 1101	180	21'-0"	20083	S	S 1102	72	30'-0"	11476	S	S 1101	180	21'-0"	20083	S	S 1102	72		30'-0"	11476	S		A 602		8	21'-1"	253	B			P 1119	176	28'-6"	26650	S		S 1101	180	21'-0"	20083	S	S 1102	72	30'-0"	11476	S	S 1101	180	21'-0"	20083	S	S 1102	72	30'-0"	11476		S	S 1101	180	21'-0"	20083		S		A 603	60	19'-6"		1797	B		P 1120	192	26'-2"	26693	S		S 1102	72	30'-0"	11476	S	S 1101	180	21'-0"	20083	S	S 1102	72	30'-0"	11476	S	S 1101		180	21'-0"	20083	S	S 1102		72	30'-0"	11476	S		A 604	60	18'-11"	1705	B		P 1121	88	25'-0"	11689	S		S 1101	180	21'-0"	20083	S	S 1102	72	30'-0"	11476	S	S 1101	180	21'-0"	20083	S	S 1102	72	30'-0"	11476	S	S 1101	180	21'-0"	20083	S		A 605	32	9'-4"	449	B		P 1122	264	24'-6"	34364	S		S 1102	72	30'-0"	11476	S	S 1101	180	21'-0"	20083	S	S 1102	72	30'-0"	11476	S	S 1101	180	21'-0"	20083	S	S 1102	72	30'-0"	11476	S		A 606	44	5'-4"	352	B																																																																																																																																																																												
S 404	2728	3'-7"	6530	B		S 405	1364	3'-2"	2886	B		S 501	3062	5'-9"	18364	B			A 505	28	33'-2"	369		S		P 505	1024		13'-2"		20471	B			S 502	32		2'-8"	*		S	S 503	32	16'-5"	*	S	S 504	336	20'-7"	*	S	S 505	304	15'-7"	*	S	S 506	160	9'-1"	1516	B		A 506		40		34'-2"	1425	S				P 506	1570	21'-9"	35616	B				S 507	736	9'-1"	6973	B	S 508	132	7'-7"	1513	B	S 509	1104	7'-7"	8732	B	S 510	736	5'-2"	3966	S	S 511	592	5'-8"		3499		S		A 507		4	31'-8"		132	S			P 507	264		4'-2"	1147	B		S 512	1168	6'-0"	7309	S	S 513	1168	6'-6"	7918	S	S 514	1728	3'-0"	5407	B	S 515	864		11'-9"	10588	B	S 516			144	4'-8"	701	S				A 508	8	2'-10"	24	B			P 508	880	6'-5"	5890	B		S 517	48	6'-1"	305	B	S 518	64	3'-9"	250	B	S 519		132	8'-7"	1719	B	S 520		128	6'-6"		868	B		S 521	64	11'-10"		790	B		A 509	16			7'-9"	129	S		P 601		176	15'-1"	3987	B				S 522	64	5'-11"	335	B		S 601	2879	35'-10"	154952	S			A 510	8	4'-5"	37	S		P 602	176	35'-4"	3340	S			S 602	2879	33'-10"	146304		S	S 603	2646	21'-0"	83460		S	S 604	36		14'-0"	757	S	S 605	576		35'-6"	30713	S	S 606	32		16'-6"	745	S		A 511	12	7'-11"	99	S			P 603	88	32'-3"	4263		S		S 607	8	3'-3"		39	S	S 608	492	6'-0"	4434		S	S 609	2116		10'-0"	31782		S	S 610		3744	37'-6"	210881		S		S 611	420	13'-10"	8727	S		A 512	24	3'-10"			96	S		P 1001	220			24'-0"	22720	S			S 612		2304	32'-0"	110739	S	S 701	2849	35'-10"	208670	S			A 513	48		9'-4"	487	S				P 1101	220	38'-10"	45391			B		S 702	2849	33'-10"	197023	S	S 801	888	4'-4"	10274	S		A 514	12		13'-2"	165	S		P 1102		220	32'-10"	38377		B			S 802	592		6'-0"	9484	S	S 803	592		6'-6"	10274	S	S 901	480	30'-0"	48960	S		A 515	12	9'-0"	113	S		P 1103	528	20'-0"		56105	S		S 1001	918			21'-0"	82953	S	S 1002	420			30'-0"	34218	S	S 1003		36	14'-0"	2169	S	S 1101	180	21'-0"	20083	S	S 1102	72	30'-0"	11476	S		A 516	24	5'-6"	138	S			P 1104	220	44'-0"		51430	S			S 801		888	4'-4"	10274		S		S 802	592	6'-0"	9484	S	S 803	592	6'-6"	10274	S	S 901	480	30'-0"	48960	S	S 1001	918	21'-0"	82953	S		A 517	12	19'-5"			243	S		P 1105	1144			17'-0"	103327	S			S 1002		420	30'-0"	34218	S	S 1003	36	14'-0"	2169	S	S 1101	180	21'-0"	20083	S	S 1102	72	30'-0"	11476	S	S 1101	180	21'-0"	20083		S			A 518	8		8'-7"	72	B				P 1106	1144	13'-3"	80534		S		S 1102	72	30'-0"	11476	S	S 1101	180	21'-0"	20083	S	S 1102	72	30'-0"	11476	S	S 1101	180	21'-0"		20083	S	S 1102	72	30'-0"			11476	S		A 519		4		8'-11"	37	B		P 1107		104	13'-0"	7183	S		S 1101	180	21'-0"	20083	S	S 1102	72	30'-0"	11476	S	S 1101	180		21'-0"	20083	S	S 1102	72		30'-0"	11476	S		S 1101		180	21'-0"	20083	S			A 520	4	10'-1"	42		B		P 1108	104	15'-9"	8703	S		S 1102	72	30'-0"	11476	S	S 1101		180	21'-0"	20083	S	S 1102		72	30'-0"	11476	S	S 1101		180		21'-0"	20083	S	S 1102	72		30'-0"	11476	S		A 521		4	11'-1"	46	B		P 1109	104	18'-0"	9946	S			S 1101	180	21'-0"	20083	S		S 1102	72	30'-0"	11476	S		S 1101	180	21'-0"	20083		S	S 1102	72	30'-0"	11476		S	S 1101	180	21'-0"	20083		S		A 522	12	4'-7"	57	B			P 1110	104	20'-3"	11189	S			S 1102	72	30'-0"	11476		S	S 1101	180	21'-0"	20083	S	S 1102		72	30'-0"	11476	S	S 1101		180	21'-0"	20083	S	S 1102		72	30'-0"	11476	S			A 523	16	5'-11"	99	B			P 1111	176	22'-6"	21039		S		S 1101	180	21'-0"	20083	S	S 1102	72	30'-0"		11476	S	S 1101	180	21'-0"		20083	S	S 1102	72	30'-0"		11476	S		S 1101	180	21'-0"	20083	S			A 524	12	6'-5"	90		B		P 1112	104	25'-2"	13908	S		S 1102	72	30'-0"	11476	S		S 1101	180	21'-0"	20083	S		S 1102	72	30'-0"	11476	S			S 1101	180	21'-0"	20083		S	S 1102	72	30'-0"	11476		S		A 525	16	6'-9"	113	B		P 1113	176	25'-6"	23845	S		S 1101	180		21'-0"	20083	S	S 1102	72		30'-0"	11476		S	S 1101	180		21'-0"		20083	S	S 1102	72	30'-0"		11476	S	S 1101	180	21'-0"	20083	S		A 526	24	17'-1"	428	S		P 1114	176	26'-6"	24780	S			S 1102	72	30'-0"	11476			S	S 1101	180	21'-0"		20083		S	S 1102	72		30'-0"	11476	S	S 1101	180	21'-0"	20083	S	S 1102	72	30'-0"	11476	S		A 527	4	12'-6"	52	S		P 1115	104		27'-1"	14963		S		S 1101		180		21'-0"	20083	S	S 1102			72	30'-0"	11476	S	S 1101	180	21'-0"	20083	S	S 1102	72	30'-0"	11476	S	S 1101	180	21'-0"	20083	S		A 528	48	6'-11"	346	B				P 1116	104	27'-9"		15333		S		S 1102		72	30'-0"		11476	S	S 1101	180	21'-0"	20083	S	S 1102	72	30'-0"	11476	S	S 1101	180	21'-0"	20083	S	S 1102	72	30'-0"	11476	S			A 529	16		17'-1"		*	S		P 1117			2024	32'-0"	344112	S			S 1101	180	21'-0"	20083	S	S 1102	72	30'-0"	11476	S	S 1101	180	21'-0"	20083	S	S 1102	72	30'-0"	11476		S	S 1101	180	21'-0"	20083		S			A 601	36		13'-2"	1899		B		P 1118	88	29'-6"		13793	S		S 1102	72	30'-0"	11476	S	S 1101	180	21'-0"	20083	S	S 1102	72	30'-0"		11476	S	S 1101	180	21'-0"		20083	S	S 1102	72		30'-0"	11476	S		A 602		8	21'-1"	253	B			P 1119	176	28'-6"	26650	S		S 1101	180	21'-0"	20083	S	S 1102	72	30'-0"	11476	S	S 1101	180	21'-0"	20083	S	S 1102	72	30'-0"	11476		S	S 1101	180	21'-0"	20083		S		A 603	60	19'-6"		1797	B		P 1120	192	26'-2"	26693	S		S 1102	72	30'-0"	11476	S	S 1101	180	21'-0"	20083	S	S 1102	72	30'-0"	11476	S	S 1101		180	21'-0"	20083	S	S 1102		72	30'-0"	11476	S		A 604	60	18'-11"	1705	B		P 1121	88	25'-0"	11689	S		S 1101	180	21'-0"	20083	S	S 1102	72	30'-0"	11476	S	S 1101	180	21'-0"	20083	S	S 1102	72	30'-0"	11476	S	S 1101	180	21'-0"	20083	S		A 605	32	9'-4"	449	B		P 1122	264	24'-6"	34364	S		S 1102	72	30'-0"	11476	S	S 1101	180	21'-0"	20083	S	S 1102	72	30'-0"	11476	S	S 1101	180	21'-0"	20083	S	S 1102	72	30'-0"	11476	S		A 606	44	5'-4"	352	B																																																																																					
S 405	1364	3'-2"	2886	B		S 501	3062	5'-9"	18364	B			A 505	28	33'-2"	369			S		P 505	1024		13'-2"		20471	B				S 502	32			2'-8"	*		S	S 503		32	16'-5"	*	S	S 504	336	20'-7"	*	S	S 505	304	15'-7"	*	S	S 506	160	9'-1"	1516	B		A 506		40		34'-2"		1425	S					P 506	1570	21'-9"	35616	B					S 507	736	9'-1"	6973	B	S 508	132	7'-7"	1513	B	S 509	1104	7'-7"	8732	B	S 510	736	5'-2"	3966	S	S 511	592		5'-8"		3499		S			A 507		4	31'-8"			132	S			P 507	264		4'-2"	1147	B		S 512	1168	6'-0"	7309	S	S 513	1168	6'-6"	7918	S	S 514	1728	3'-0"		5407	B	S 515	864			11'-9"	10588	B	S 516				144	4'-8"	701	S				A 508	8	2'-10"	24	B			P 508	880	6'-5"	5890	B		S 517	48	6'-1"	305		B	S 518	64	3'-9"	250		B	S 519		132	8'-7"		1719	B	S 520		128	6'-6"		868	B			S 521	64	11'-10"		790		B		A 509	16				7'-9"	129	S		P 601		176	15'-1"	3987	B				S 522	64	5'-11"	335	B		S 601	2879	35'-10"	154952	S				A 510	8	4'-5"		37	S		P 602	176		35'-4"	3340	S			S 602	2879	33'-10"	146304		S	S 603	2646	21'-0"	83460		S	S 604	36		14'-0"	757	S	S 605	576			35'-6"	30713	S	S 606		32		16'-6"	745	S			A 511	12	7'-11"	99	S			P 603	88		32'-3"	4263		S			S 607	8	3'-3"		39		S	S 608	492	6'-0"	4434		S	S 609	2116			10'-0"	31782		S	S 610			3744	37'-6"	210881			S		S 611	420	13'-10"	8727	S		A 512	24	3'-10"			96	S			P 1001	220				24'-0"	22720	S				S 612		2304	32'-0"	110739	S	S 701	2849	35'-10"	208670	S			A 513	48		9'-4"	487	S				P 1101	220	38'-10"		45391			B			S 702	2849	33'-10"	197023	S		S 801	888	4'-4"	10274	S		A 514	12		13'-2"	165	S		P 1102		220	32'-10"	38377		B			S 802	592			6'-0"	9484	S	S 803	592			6'-6"	10274	S	S 901		480	30'-0"	48960	S		A 515	12	9'-0"	113	S		P 1103	528	20'-0"		56105	S		S 1001	918			21'-0"	82953	S		S 1002	420			30'-0"		34218	S	S 1003		36		14'-0"	2169	S	S 1101	180	21'-0"	20083	S	S 1102	72	30'-0"	11476	S		A 516	24	5'-6"	138	S			P 1104	220	44'-0"			51430	S			S 801			888	4'-4"	10274			S		S 802	592	6'-0"	9484	S	S 803	592	6'-6"	10274	S	S 901	480	30'-0"	48960	S	S 1001	918	21'-0"	82953	S		A 517	12		19'-5"			243	S			P 1105	1144				17'-0"	103327	S			S 1002		420	30'-0"	34218	S	S 1003	36	14'-0"	2169	S	S 1101	180	21'-0"	20083	S	S 1102	72	30'-0"	11476		S	S 1101	180	21'-0"	20083			S			A 518		8		8'-7"	72	B				P 1106	1144	13'-3"	80534		S		S 1102	72	30'-0"	11476	S	S 1101	180	21'-0"	20083	S		S 1102	72	30'-0"	11476	S		S 1101	180	21'-0"		20083		S	S 1102	72	30'-0"			11476	S		A 519		4		8'-11"	37	B		P 1107		104	13'-0"	7183	S		S 1101		180	21'-0"	20083	S	S 1102		72	30'-0"	11476	S	S 1101		180		21'-0"	20083	S	S 1102	72		30'-0"	11476	S		S 1101		180	21'-0"	20083	S			A 520	4	10'-1"	42			B		P 1108	104	15'-9"		8703	S		S 1102	72		30'-0"	11476	S	S 1101		180	21'-0"	20083	S	S 1102		72	30'-0"	11476	S	S 1101		180		21'-0"	20083	S	S 1102	72			30'-0"	11476	S		A 521			4	11'-1"	46	B			P 1109	104	18'-0"	9946	S			S 1101	180	21'-0"	20083	S		S 1102	72	30'-0"	11476	S		S 1101	180	21'-0"	20083			S	S 1102	72	30'-0"	11476			S	S 1101	180	21'-0"		20083		S		A 522	12	4'-7"	57	B			P 1110	104	20'-3"	11189	S			S 1102	72	30'-0"	11476		S	S 1101		180	21'-0"	20083	S	S 1102			72	30'-0"	11476	S		S 1101		180	21'-0"	20083	S	S 1102		72	30'-0"	11476	S			A 523	16	5'-11"	99	B			P 1111	176	22'-6"	21039			S		S 1101	180		21'-0"	20083	S	S 1102	72		30'-0"		11476	S	S 1101	180	21'-0"		20083	S	S 1102	72	30'-0"		11476	S		S 1101	180	21'-0"	20083	S			A 524		12	6'-5"	90		B			P 1112	104	25'-2"	13908		S		S 1102	72	30'-0"	11476	S		S 1101	180	21'-0"	20083	S		S 1102	72	30'-0"	11476	S			S 1101	180	21'-0"	20083			S	S 1102	72	30'-0"		11476		S		A 525		16	6'-9"	113	B		P 1113	176	25'-6"	23845	S		S 1101	180		21'-0"	20083	S	S 1102	72		30'-0"	11476		S	S 1101		180		21'-0"		20083		S	S 1102	72	30'-0"			11476	S	S 1101	180	21'-0"	20083	S		A 526	24	17'-1"	428	S		P 1114	176	26'-6"	24780	S			S 1102	72	30'-0"	11476				S	S 1101	180		21'-0"		20083		S		S 1102	72		30'-0"	11476	S	S 1101	180	21'-0"	20083	S	S 1102	72	30'-0"	11476	S		A 527	4	12'-6"	52	S		P 1115	104			27'-1"	14963		S			S 1101		180			21'-0"	20083	S	S 1102			72	30'-0"	11476	S	S 1101	180	21'-0"	20083	S	S 1102	72	30'-0"	11476	S	S 1101	180	21'-0"	20083	S			A 528	48	6'-11"	346		B				P 1116		104	27'-9"		15333		S		S 1102		72	30'-0"		11476	S	S 1101	180	21'-0"	20083	S	S 1102	72	30'-0"	11476	S	S 1101		180	21'-0"	20083	S	S 1102		72	30'-0"	11476	S			A 529	16		17'-1"		*	S		P 1117			2024	32'-0"	344112	S			S 1101	180	21'-0"	20083	S	S 1102	72	30'-0"	11476	S	S 1101	180	21'-0"	20083	S	S 1102	72	30'-0"	11476		S	S 1101	180	21'-0"	20083		S			A 601	36		13'-2"	1899		B		P 1118	88	29'-6"		13793	S		S 1102	72	30'-0"	11476	S	S 1101	180	21'-0"	20083	S	S 1102	72	30'-0"		11476	S	S 1101	180	21'-0"		20083	S	S 1102	72		30'-0"	11476	S		A 602		8	21'-1"	253	B			P 1119	176	28'-6"	26650	S		S 1101	180	21'-0"	20083	S	S 1102	72	30'-0"	11476	S	S 1101	180	21'-0"	20083	S	S 1102	72	30'-0"	11476		S	S 1101	180	21'-0"	20083		S		A 603	60	19'-6"		1797	B		P 1120	192	26'-2"	26693	S		S 1102	72	30'-0"	11476	S	S 1101	180	21'-0"	20083	S	S 1102	72	30'-0"	11476	S	S 1101		180	21'-0"	20083	S	S 1102		72	30'-0"	11476	S		A 604	60	18'-11"	1705	B		P 1121	88	25'-0"	11689	S		S 1101	180	21'-0"	20083	S	S 1102	72	30'-0"	11476	S	S 1101	180	21'-0"	20083	S	S 1102	72	30'-0"	11476	S	S 1101	180	21'-0"	20083	S		A 605	32	9'-4"	449	B		P 1122	264	24'-6"	34364	S		S 1102	72	30'-0"	11476	S	S 1101	180	21'-0"	20083	S	S 1102	72	30'-0"	11476	S	S 1101	180	21'-0"	20083	S	S 1102	72	30'-0"	11476	S		A 606	44	5'-4"
S 501	3062	5'-9"	18364	B		A 505	28	33'-2"	369	S			P 505	1024	13'-2"	20471	B																																																																																																																																																																																																																																																																																																																																																																																																																																																																																																																																																																																																																																																																																																																																																																																																																																																																																																																																																																																																																																																																																																																																																																																																																																																																																																																																																																																																																
S 502	32	2'-8"	*	S		S 503	32	16'-5"	*	S			S 504	336	20'-7"	*	S				S 505	304		15'-7"		*	S	S 506			160	9'-1"		1516	B			A 506	40	34'-2"	1425	S		P 506	1570	21'-9"	35616	B		S 507	736	9'-1"	6973	B	S 508	132	7'-7"	1513	B		S 509		1104		7'-7"	8732	B	S 510				736	5'-2"	3966	S	S 511	592	5'-8"				3499	S		A 507	4	31'-8"	132	S		P 507	264	4'-2"	1147	B		S 512	1168	6'-0"	7309	S	S 513	1168	6'-6"	7918		S		S 514	1728		3'-0"		5407	B	S 515		864	11'-9"			10588	B		S 516	144	4'-8"		701	S		A 508	8	2'-10"	24	B		P 508	880	6'-5"	5890	B		S 517	48	6'-1"		305	B	S 518	64	3'-9"		250		B	S 519	132	8'-7"				1719	B	S 520	128	6'-6"			868	B	S 521	64	11'-10"		790	B		A 509	16	7'-9"	129	S		P 601	176	15'-1"	3987		B		S 522	64	5'-11"	335		B	S 601		2879	35'-10"		154952	S		A 510		8	4'-5"	37		S			P 602		176	35'-4"	3340		S			S 602	2879	33'-10"				146304	S	S 603	2646	21'-0"		83460	S	S 604	36	14'-0"	757			S	S 605	576	35'-6"	30713	S		S 606	32	16'-6"	745	S				A 511	12	7'-11"	99		S		P 603	88	32'-3"		4263	S			S 607	8	3'-3"	39	S	S 608		492	6'-0"	4434	S	S 609	2116		10'-0"	31782	S	S 610		3744	37'-6"	210881	S	S 611			420	13'-10"	8727	S			A 512		24	3'-10"	96	S			P 1001	220	24'-0"	22720	S			S 612	2304	32'-0"		110739	S	S 701		2849	35'-10"	208670		S		A 513		48	9'-4"		487	S		P 1101	220		38'-10"	45391	B				S 702	2849		33'-10"	197023			S	S 801	888	4'-4"			10274	S			A 514	12	13'-2"	165	S		P 1102	220			32'-10"	38377		B		S 802				592	6'-0"	9484	S	S 803			592		6'-6"	10274	S	S 901	480	30'-0"	48960	S		A 515	12	9'-0"		113	S			P 1103	528		20'-0"		56105	S			S 1001			918	21'-0"		82953	S	S 1002	420	30'-0"	34218	S		S 1003	36	14'-0"	2169	S	S 1101	180	21'-0"	20083		S	S 1102	72	30'-0"	11476		S		A 516		24	5'-6"		138	S				P 1104	220	44'-0"	51430	S				S 801	888	4'-4"	10274		S	S 802	592	6'-0"	9484	S	S 803	592	6'-6"	10274	S	S 901	480	30'-0"	48960		S	S 1001	918	21'-0"	82953			S		A 517		12	19'-5"	243			S			P 1105	1144	17'-0"		103327	S			S 1002	420	30'-0"	34218	S	S 1003	36	14'-0"	2169	S	S 1101	180	21'-0"	20083	S	S 1102	72	30'-0"	11476		S	S 1101	180	21'-0"			20083	S			A 518	8			8'-7"	72	B				P 1106		1144	13'-3"	80534	S		S 1102	72	30'-0"	11476	S	S 1101	180	21'-0"	20083	S	S 1102	72	30'-0"	11476	S	S 1101	180	21'-0"	20083	S		S 1102			72	30'-0"	11476		S		A 519				4	8'-11"	37	B				P 1107	104	13'-0"	7183	S		S 1101	180	21'-0"	20083	S	S 1102	72	30'-0"	11476	S	S 1101	180	21'-0"	20083		S	S 1102	72	30'-0"	11476	S			S 1101	180		21'-0"		20083		S		A 520		4		10'-1"	42	B			P 1108	104	15'-9"	8703	S		S 1102	72	30'-0"	11476	S	S 1101	180	21'-0"	20083		S	S 1102	72	30'-0"	11476		S	S 1101	180		21'-0"		20083	S	S 1102	72			30'-0"	11476	S			A 521	4		11'-1"	46	B		P 1109	104		18'-0"	9946	S		S 1101	180	21'-0"		20083	S	S 1102	72	30'-0"		11476	S	S 1101	180	21'-0"		20083		S	S 1102	72	30'-0"	11476		S	S 1101	180	21'-0"		20083	S			A 522	12	4'-7"	57		B		P 1110	104	20'-3"			11189	S		S 1102	72		30'-0"	11476	S	S 1101	180		21'-0"	20083	S	S 1102		72	30'-0"	11476	S	S 1101	180	21'-0"		20083	S	S 1102	72	30'-0"	11476		S			A 523	16	5'-11"	99			B		P 1111	176	22'-6"			21039	S		S 1101		180	21'-0"	20083	S	S 1102	72	30'-0"	11476	S		S 1101	180	21'-0"	20083	S	S 1102		72	30'-0"	11476	S	S 1101		180	21'-0"	20083	S				A 524	12	6'-5"	90			B		P 1112	104	25'-2"		13908		S		S 1102	72	30'-0"	11476	S	S 1101	180	21'-0"		20083	S	S 1102	72	30'-0"		11476	S	S 1101	180	21'-0"		20083	S		S 1102	72	30'-0"	11476	S				A 525	16	6'-9"	113		B			P 1113	176	25'-6"	23845	S			S 1101	180	21'-0"	20083	S		S 1102	72	30'-0"	11476	S		S 1101	180	21'-0"	20083	S			S 1102	72	30'-0"	11476	S		S 1101	180	21'-0"	20083	S			A 526		24	17'-1"	428	S		P 1114		176	26'-6"	24780	S			S 1102	72		30'-0"	11476	S	S 1101	180		21'-0"	20083		S	S 1102	72	30'-0"		11476		S	S 1101	180	21'-0"	20083	S		S 1102	72	30'-0"	11476	S		A 527	4		12'-6"	52	S		P 1115		104	27'-1"	14963	S				S 1101	180	21'-0"	20083	S			S 1102	72	30'-0"	11476	S		S 1101		180	21'-0"	20083	S		S 1102	72	30'-0"	11476	S	S 1101	180	21'-0"	20083	S		A 528	48		6'-11"	346	B		P 1116		104	27'-9"	15333		S			S 1102	72		30'-0"		11476		S	S 1101	180	21'-0"	20083			S	S 1102	72	30'-0"	11476	S	S 1101	180	21'-0"	20083	S	S 1102	72	30'-0"	11476	S		A 529	16	17'-1"		*	S		P 1117	2024	32'-0"				344112	S		S 1101		180		21'-0"		20083		S	S 1102		72	30'-0"	11476	S	S 1101	180	21'-0"	20083	S	S 1102	72	30'-0"	11476	S	S 1101	180	21'-0"	20083	S		A 601	36	13'-2"	1899			B			P 1118		88	29'-6"		13793			S		S 1102	72			30'-0"	11476	S	S 1101	180	21'-0"	20083	S	S 1102	72	30'-0"	11476	S	S 1101	180	21'-0"	20083	S	S 1102		72	30'-0"	11476	S			A 602			8	21'-1"		253	B				P 1119	176	28'-6"		26650	S			S 1101	180	21'-0"	20083	S	S 1102	72	30'-0"	11476	S	S 1101	180		21'-0"	20083	S	S 1102	72		30'-0"	11476	S	S 1101		180	21'-0"	20083		S			A 603	60	19'-6"			1797	B		P 1120	192		26'-2"	26693	S		S 1102	72	30'-0"	11476	S	S 1101	180	21'-0"	20083	S	S 1102	72	30'-0"	11476	S		S 1101	180	21'-0"	20083	S		S 1102		72	30'-0"	11476		S			A 604	60	18'-11"	1705	B			P 1121	88	25'-0"	11689	S		S 1101	180	21'-0"	20083	S	S 1102	72	30'-0"	11476		S	S 1101	180	21'-0"	20083		S	S 1102	72	30'-0"		11476	S	S 1101	180	21'-0"		20083	S		A 605	32		9'-4"	449	B		P 1122	264	24'-6"	34364	S		S 1102	72	30'-0"	11476	S	S 1101	180	21'-0"	20083	S	S 1102	72	30'-0"	11476	S		S 1101	180	21'-0"	20083	S		S 1102	72	30'-0"	11476	S			A 606	44	5'-4"	352	B																							
S 503	32	16'-5"	*	S		S 504	336	20'-7"	*	S			S 505	304	15'-7"	*	S				S 506	160	9'-1"	1516		B		A 506		40	34'-2"	1425		S			P 506	1570	21'-9"	35616	B			S 507	736	9'-1"	6973	B		S 508	132	7'-7"	1513	B	S 509	1104	7'-7"	8732	B		S 510		736	5'-2"	3966	S	S 511	592			5'-8"	3499	S		A 507	4	31'-8"	132	S				P 507		264	4'-2"	1147	B			S 512	1168	6'-0"	7309	S		S 513	1168	6'-6"	7918	S	S 514	1728	3'-0"	5407	B	S 515		864	11'-9"		10588	B	S 516	144	4'-8"		701	S			A 508	8		2'-10"	24	B			P 508		880	6'-5"	5890	B			S 517	48	6'-1"	305	B		S 518	64	3'-9"	250	B	S 519	132	8'-7"	1719		B	S 520	128	6'-6"	868	B		S 521		64	11'-10"	790	B				A 509	16	7'-9"	129	S			P 601		176	15'-1"	3987	B			S 522	64	5'-11"	335	B	S 601		2879	35'-10"	154952	S		A 510	8		4'-5"	37	S		P 602		176		35'-4"	3340	S					S 602	2879	33'-10"	146304	S		S 603	2646		21'-0"	83460	S		S 604		36	14'-0"	757	S	S 605		576	35'-6"	30713	S	S 606	32			16'-6"	745	S		A 511	12		7'-11"	99	S		P 603		88		32'-3"	4263	S		S 607	8		3'-3"	39	S	S 608	492	6'-0"			4434	S	S 609	2116	10'-0"	31782		S	S 610	3744	37'-6"	210881	S		S 611	420	13'-10"	8727		S		A 512	24	3'-10"	96		S		P 1001	220		24'-0"	22720		S		S 612	2304	32'-0"		110739	S	S 701	2849	35'-10"			208670	S		A 513	48	9'-4"	487		S		P 1101	220	38'-10"		45391		B		S 702	2849	33'-10"		197023	S		S 801	888	4'-4"		10274		S			A 514	12	13'-2"		165	S		P 1102		220	32'-10"	38377			B		S 802	592	6'-0"		9484	S			S 803	592	6'-6"	10274		S			S 901	480	30'-0"	48960	S			A 515	12		9'-0"	113	S		P 1103	528	20'-0"	56105		S		S 1001		918	21'-0"			82953	S		S 1002		420	30'-0"		34218	S			S 1003	36	14'-0"	2169	S	S 1101	180	21'-0"	20083	S	S 1102	72	30'-0"	11476	S		A 516	24	5'-6"	138		S		P 1104	220	44'-0"		51430		S			S 801		888	4'-4"		10274		S	S 802	592	6'-0"	9484	S			S 803	592	6'-6"	10274	S	S 901	480	30'-0"	48960	S	S 1001	918	21'-0"	82953	S		A 517	12	19'-5"	243		S		P 1105	1144	17'-0"			103327		S		S 1002	420	30'-0"			34218		S	S 1003	36	14'-0"		2169	S	S 1101		180	21'-0"	20083	S	S 1102	72	30'-0"	11476	S	S 1101	180	21'-0"	20083	S		A 518	8	8'-7"	72		B		P 1106	1144		13'-3"	80534	S				S 1102	72		30'-0"	11476	S			S 1101	180		21'-0"	20083	S	S 1102		72	30'-0"	11476	S	S 1101	180	21'-0"	20083	S	S 1102	72	30'-0"	11476	S		A 519	4	8'-11"	37	B		P 1107			104	13'-0"	7183	S			S 1101			180	21'-0"	20083	S	S 1102				72	30'-0"	11476	S	S 1101		180	21'-0"	20083	S	S 1102	72	30'-0"	11476	S	S 1101	180	21'-0"	20083	S		A 520	4	10'-1"	42	B		P 1108		104	15'-9"		8703	S			S 1102		72		30'-0"		11476	S	S 1101			180	21'-0"	20083	S	S 1102		72	30'-0"	11476	S	S 1101	180	21'-0"	20083	S	S 1102	72	30'-0"	11476	S		A 521	4	11'-1"	46		B		P 1109	104	18'-0"	9946			S		S 1101			180	21'-0"		20083	S	S 1102		72	30'-0"		11476	S	S 1101		180	21'-0"	20083	S	S 1102	72	30'-0"	11476	S	S 1101	180	21'-0"	20083	S		A 522	12		4'-7"	57	B		P 1110		104	20'-3"	11189	S			S 1102			72	30'-0"	11476	S		S 1101		180	21'-0"	20083		S	S 1102	72		30'-0"	11476	S	S 1101	180	21'-0"	20083	S	S 1102	72	30'-0"	11476	S			A 523	16	5'-11"	99	B			P 1111	176	22'-6"	21039	S			S 1101			180	21'-0"	20083	S		S 1102	72		30'-0"	11476	S	S 1101		180	21'-0"		20083	S	S 1102	72	30'-0"	11476	S	S 1101	180	21'-0"	20083		S		A 524	12	6'-5"	90		B		P 1112	104	25'-2"		13908	S		S 1102		72		30'-0"	11476	S	S 1101	180		21'-0"		20083	S	S 1102	72	30'-0"		11476		S	S 1101	180	21'-0"	20083	S	S 1102	72		30'-0"	11476	S		A 525		16	6'-9"	113	B			P 1113	176	25'-6"	23845	S		S 1101	180	21'-0"			20083	S	S 1102	72	30'-0"	11476			S	S 1101	180	21'-0"	20083			S	S 1102	72	30'-0"	11476		S	S 1101	180	21'-0"	20083		S		A 526	24	17'-1"	428		S		P 1114	176	26'-6"	24780	S		S 1102	72	30'-0"		11476	S		S 1101	180	21'-0"	20083		S		S 1102	72	30'-0"	11476			S	S 1101		180	21'-0"	20083	S	S 1102		72	30'-0"	11476	S		A 527	4		12'-6"	52	S		P 1115	104	27'-1"	14963	S		S 1101	180	21'-0"	20083		S	S 1102		72	30'-0"	11476		S		S 1101	180	21'-0"	20083				S	S 1102	72	30'-0"	11476	S		S 1101	180	21'-0"	20083	S		A 528		48	6'-11"	346	B		P 1116	104	27'-9"	15333	S		S 1102	72	30'-0"	11476		S	S 1101		180	21'-0"	20083		S		S 1102	72	30'-0"		11476		S	S 1101	180		21'-0"		20083	S	S 1102	72	30'-0"	11476	S			A 529	16	17'-1"	*	S		P 1117	2024	32'-0"	344112	S		S 1101	180	21'-0"	20083		S	S 1102	72		30'-0"	11476		S	S 1101	180	21'-0"			20083	S		S 1102	72	30'-0"		11476		S	S 1101	180	21'-0"		20083	S		A 601	36	13'-2"	1899	B		P 1118	88	29'-6"	13793	S		S 1102	72	30'-0"	11476		S	S 1101	180	21'-0"	20083		S			S 1102	72	30'-0"	11476		S		S 1101	180		21'-0"	20083			S	S 1102	72	30'-0"	11476	S		A 602	8	21'-1"	253	B		P 1119	176	28'-6"	26650	S		S 1101	180	21'-0"	20083	S		S 1102	72			30'-0"	11476	S	S 1101	180				21'-0"	20083	S		S 1102	72			30'-0"	11476	S	S 1101	180	21'-0"	20083	S		A 603	60	19'-6"	1797	B		P 1120	192	26'-2"	26693	S		S 1102	72		30'-0"	11476	S		S 1101			180	21'-0"	20083			S	S 1102		72	30'-0"		11476	S	S 1101		180	21'-0"	20083	S	S 1102	72	30'-0"	11476	S		A 604	60	18'-11"	1705	B			P 1121	88	25'-0"	11689		S			S 1101	180		21'-0"			20083	S	S 1102	72	30'-0"			11476	S	S 1101	180	21'-0"		20083	S	S 1102	72	30'-0"	11476	S	S 1101	180		21'-0"	20083	S		A 605		32	9'-4"	449	B			P 1122	264	24'-6"	34364		S			S 1102	72		30'-0"	11476	S		S 1101	180	21'-0"	20083	S		S 1102	72	30'-0"	11476	S	S 1101	180	21'-0"	20083	S	S 1102	72	30'-0"	11476	S			A 606	44	5'-4"	352		B																																		
S 504	336	20'-7"	*	S		S 505	304	15'-7"	*	S			S 506	160	9'-1"	1516	B				A 506	40	34'-2"	1425	S			P 506		1570	21'-9"	35616	B				S 507	736	9'-1"	6973	B			S 508	132	7'-7"	1513	B		S 509	1104	7'-7"	8732	B	S 510	736	5'-2"	3966	S		S 511	592	5'-8"	3499	S		A 507	4		31'-8"	132	S			P 507	264	4'-2"	1147	B				S 512		1168	6'-0"	7309	S			S 513	1168	6'-6"	7918	S		S 514	1728	3'-0"	5407	B	S 515	864	11'-9"	10588	B	S 516	144	4'-8"	701		S		A 508	8	2'-10"	24	B				P 508	880	6'-5"	5890	B				S 517		48	6'-1"	305	B			S 518	64	3'-9"	250	B		S 519	132	8'-7"	1719	B	S 520	128	6'-6"	868	B	S 521	64	11'-10"	790	B			A 509	16	7'-9"	129	S			P 601		176	15'-1"	3987	B				S 522		64	5'-11"	335	B			S 601	2879	35'-10"	154952	S			A 510	8	4'-5"	37		S		P 602	176	35'-4"	3340		S			S 602	2879	33'-10"	146304				S	S 603	2646	21'-0"	83460	S		S 604	36		14'-0"	757	S		S 605	576	35'-6"	30713	S	S 606	32	16'-6"	745	S		A 511	12	7'-11"	99		S		P 603		88	32'-3"		4263	S			S 607		8		3'-3"	39	S		S 608	492		6'-0"	4434	S	S 609	2116	10'-0"		31782	S	S 610	3744	37'-6"	210881	S	S 611	420	13'-10"	8727	S		A 512	24	3'-10"	96	S			P 1001		220	24'-0"	22720	S				S 612	2304		32'-0"	110739		S		S 701	2849	35'-10"		208670	S		A 513	48		9'-4"	487	S			P 1101	220	38'-10"	45391	B			S 702	2849		33'-10"	197023	S		S 801	888	4'-4"		10274	S			A 514	12	13'-2"	165		S				P 1102	220	32'-10"	38377	B				S 802	592	6'-0"	9484		S		S 803	592	6'-6"		10274	S		S 901	480	30'-0"	48960	S			A 515		12	9'-0"	113	S			P 1103	528	20'-0"		56105	S			S 1001	918	21'-0"	82953		S		S 1002		420	30'-0"	34218		S	S 1003		36	14'-0"	2169	S		S 1101	180		21'-0"	20083	S	S 1102	72	30'-0"	11476	S		A 516	24	5'-6"	138	S		P 1104		220	44'-0"	51430	S				S 801	888	4'-4"		10274		S	S 802		592		6'-0"	9484	S	S 803		592	6'-6"	10274	S	S 901	480	30'-0"		48960	S	S 1001	918	21'-0"	82953	S		A 517	12	19'-5"	243	S		P 1105		1144	17'-0"	103327	S				S 1002	420	30'-0"		34218	S		S 1003		36	14'-0"	2169	S		S 1101		180	21'-0"	20083	S	S 1102	72	30'-0"	11476		S	S 1101	180	21'-0"	20083	S		A 518	8	8'-7"	72	B		P 1106		1144	13'-3"	80534	S				S 1102	72	30'-0"	11476	S	S 1101				180	21'-0"	20083	S	S 1102	72			30'-0"	11476	S	S 1101	180	21'-0"	20083		S	S 1102	72	30'-0"	11476	S		A 519	4	8'-11"	37	B		P 1107		104	13'-0"	7183	S			S 1101		180	21'-0"	20083	S	S 1102			72	30'-0"		11476	S	S 1101	180	21'-0"	20083			S	S 1102	72	30'-0"	11476		S	S 1101	180	21'-0"	20083	S		A 520	4	10'-1"	42	B		P 1108		104	15'-9"	8703	S			S 1102	72	30'-0"	11476		S	S 1101		180	21'-0"		20083		S	S 1102	72	30'-0"	11476			S	S 1101	180	21'-0"	20083		S	S 1102	72	30'-0"	11476	S		A 521	4	11'-1"	46	B		P 1109		104	18'-0"	9946	S		S 1101		180	21'-0"	20083	S	S 1102		72		30'-0"		11476	S	S 1101		180	21'-0"	20083		S	S 1102		72	30'-0"	11476		S	S 1101	180	21'-0"	20083	S		A 522	12	4'-7"	57	B		P 1110		104	20'-3"	11189	S		S 1102		72	30'-0"	11476	S	S 1101	180			21'-0"	20083		S	S 1102	72	30'-0"		11476		S	S 1101	180		21'-0"	20083	S		S 1102	72	30'-0"	11476	S		A 523	16	5'-11"	99	B		P 1111	176		22'-6"	21039	S		S 1101		180	21'-0"	20083	S	S 1102	72		30'-0"	11476			S	S 1101	180	21'-0"		20083	S		S 1102	72	30'-0"	11476		S	S 1101		180	21'-0"	20083	S		A 524	12	6'-5"	90	B		P 1112	104		25'-2"	13908	S		S 1102	72		30'-0"	11476	S	S 1101	180	21'-0"		20083		S		S 1102	72	30'-0"	11476	S		S 1101		180	21'-0"	20083	S	S 1102		72		30'-0"	11476	S		A 525	16	6'-9"	113	B		P 1113	176		25'-6"	23845	S		S 1101	180		21'-0"	20083	S	S 1102	72	30'-0"		11476	S	S 1101			180	21'-0"	20083	S	S 1102	72			30'-0"	11476	S	S 1101	180			21'-0"	20083	S		A 526	24	17'-1"	428	S		P 1114	176	26'-6"		24780	S		S 1102	72	30'-0"		11476	S	S 1101	180	21'-0"		20083	S	S 1102		72	30'-0"		11476	S	S 1101	180		21'-0"		20083	S	S 1102	72			30'-0"	11476	S		A 527	4	12'-6"	52	S		P 1115	104	27'-1"		14963	S		S 1101	180	21'-0"		20083	S	S 1102	72	30'-0"		11476	S	S 1101	180		21'-0"	20083		S	S 1102	72		30'-0"		11476	S	S 1101	180		21'-0"		20083	S		A 528	48	6'-11"	346	B		P 1116	104	27'-9"		15333	S		S 1102	72	30'-0"		11476	S	S 1101	180	21'-0"		20083	S	S 1102	72		30'-0"	11476		S	S 1101	180		21'-0"		20083	S	S 1102	72	30'-0"		11476	S			A 529	16	17'-1"	*	S		P 1117	2024	32'-0"	344112		S		S 1101	180	21'-0"		20083	S	S 1102	72	30'-0"		11476	S	S 1101	180		21'-0"	20083	S		S 1102	72		30'-0"	11476	S	S 1101	180		21'-0"	20083		S		A 601	36	13'-2"		1899	B		P 1118	88	29'-6"	13793		S		S 1102	72	30'-0"		11476	S	S 1101	180	21'-0"		20083	S	S 1102	72		30'-0"	11476	S	S 1101	180		21'-0"		20083	S	S 1102	72	30'-0"		11476	S		A 602		8	21'-1"		253	B		P 1119	176	28'-6"	26650		S		S 1101	180	21'-0"		20083	S	S 1102	72	30'-0"		11476	S	S 1101	180	21'-0"		20083	S	S 1102		72	30'-0"	11476	S	S 1101	180			21'-0"	20083	S		A 603	60			19'-6"	1797	B		P 1120	192	26'-2"	26693		S		S 1102	72	30'-0"		11476	S	S 1101	180	21'-0"		20083	S	S 1102	72	30'-0"	11476		S	S 1101		180	21'-0"	20083		S	S 1102	72		30'-0"	11476		S		A 604		60	18'-11"	1705	B		P 1121	88	25'-0"	11689		S		S 1101	180	21'-0"	20083		S	S 1102	72	30'-0"	11476	S			S 1101	180	21'-0"	20083			S	S 1102	72	30'-0"	11476			S	S 1101	180	21'-0"	20083		S		A 605	32	9'-4"	449	B		P 1122	264	24'-6"	34364	S			S 1102	72	30'-0"	11476	S			S 1101	180	21'-0"	20083		S			S 1102	72		30'-0"	11476	S		S 1101	180	21'-0"	20083	S		S 1102	72	30'-0"	11476	S		A 606	44	5'-4"	352	B																																														
S 505	304	15'-7"	*	S		S 506	160	9'-1"	1516	B			A 506	40	34'-2"	1425	S				P 506	1570	21'-9"	35616	B				S 507	736	9'-1"	6973	B				S 508	132	7'-7"	1513	B			S 509	1104	7'-7"	8732	B		S 510	736	5'-2"	3966	S	S 511	592	5'-8"	3499	S		A 507	4	31'-8"	132	S			P 507	264	4'-2"	1147	B				S 512	1168	6'-0"	7309		S		S 513		1168	6'-6"	7918	S			S 514	1728	3'-0"	5407	B		S 515	864	11'-9"	10588	B	S 516	144	4'-8"	701	S		A 508	8	2'-10"	24	B			P 508	880	6'-5"	5890			B		S 517	48	6'-1"	305		B		S 518		64	3'-9"	250	B			S 519	132	8'-7"	1719	B		S 520	128	6'-6"	868	B	S 521	64	11'-10"	790	B		A 509	16	7'-9"	129		S		P 601	176	15'-1"	3987			B		S 522	64	5'-11"	335		B		S 601		2879	35'-10"	154952	S				A 510	8	4'-5"	37			S		P 602	176		35'-4"		3340	S		S 602		2879			33'-10"	146304	S	S 603	2646			21'-0"	83460	S	S 604	36	14'-0"	757	S	S 605		576	35'-6"	30713	S	S 606	32	16'-6"	745	S		A 511	12	7'-11"	99		S		P 603	88	32'-3"	4263		S			S 607	8	3'-3"	39			S		S 608	492	6'-0"	4434	S		S 609	2116		10'-0"	31782	S	S 610	3744	37'-6"		210881	S	S 611	420	13'-10"	8727	S		A 512	24	3'-10"	96		S		P 1001	220	24'-0"		22720	S			S 612	2304	32'-0"	110739			S	S 701		2849	35'-10"	208670	S			A 513	48		9'-4"	487		S			P 1101	220	38'-10"			45391	B		S 702	2849			33'-10"	197023		S	S 801	888		4'-4"	10274	S			A 514	12		13'-2"	165	S			P 1102		220		32'-10"	38377	B		S 802			592	6'-0"	9484	S	S 803		592		6'-6"	10274	S		S 901	480	30'-0"	48960	S		A 515	12			9'-0"	113	S		P 1103	528			20'-0"	56105	S		S 1001	918			21'-0"	82953	S	S 1002		420		30'-0"	34218	S	S 1003	36		14'-0"	2169	S	S 1101	180	21'-0"	20083		S	S 1102	72	30'-0"	11476	S		A 516	24	5'-6"	138		S		P 1104	220	44'-0"		51430		S		S 801	888	4'-4"			10274	S	S 802	592	6'-0"		9484	S		S 803	592	6'-6"	10274	S	S 901		480	30'-0"	48960	S	S 1001	918	21'-0"		82953	S		A 517	12	19'-5"	243		S		P 1105	1144	17'-0"		103327		S		S 1002	420	30'-0"			34218	S	S 1003	36	14'-0"	2169		S		S 1101	180	21'-0"	20083	S	S 1102		72	30'-0"	11476	S	S 1101	180	21'-0"	20083		S		A 518	8	8'-7"	72		B		P 1106	1144	13'-3"		80534		S		S 1102	72	30'-0"			11476	S	S 1101	180	21'-0"	20083		S		S 1102	72	30'-0"	11476	S	S 1101		180	21'-0"	20083	S	S 1102	72	30'-0"	11476		S		A 519	4	8'-11"	37		B		P 1107	104	13'-0"		7183		S		S 1101	180			21'-0"	20083	S	S 1102	72	30'-0"	11476			S	S 1101	180	21'-0"	20083	S	S 1102	72	30'-0"		11476	S	S 1101	180	21'-0"	20083		S		A 520	4	10'-1"	42		B		P 1108	104	15'-9"		8703		S		S 1102	72			30'-0"	11476	S	S 1101	180	21'-0"	20083		S	S 1102		72	30'-0"	11476	S	S 1101	180	21'-0"		20083	S	S 1102	72	30'-0"	11476		S		A 521	4	11'-1"	46		B		P 1109	104	18'-0"		9946		S		S 1101	180		21'-0"		20083	S	S 1102	72	30'-0"	11476	S		S 1101		180	21'-0"	20083	S	S 1102	72	30'-0"		11476	S	S 1101	180	21'-0"	20083		S		A 522	12	4'-7"	57		B		P 1110	104	20'-3"		11189		S		S 1102	72		30'-0"		11476	S	S 1101	180	21'-0"	20083	S		S 1102	72		30'-0"	11476	S	S 1101	180	21'-0"		20083	S	S 1102	72	30'-0"	11476	S			A 523	16	5'-11"	99		B		P 1111	176	22'-6"		21039	S			S 1101	180		21'-0"		20083	S	S 1102	72	30'-0"	11476		S	S 1101	180		21'-0"	20083	S	S 1102	72	30'-0"	11476		S	S 1101	180	21'-0"	20083	S			A 524	12	6'-5"	90		B		P 1112	104	25'-2"		13908	S			S 1102	72		30'-0"	11476		S	S 1101	180	21'-0"	20083	S		S 1102	72	30'-0"		11476	S	S 1101	180	21'-0"	20083	S		S 1102	72	30'-0"	11476	S		A 525		16	6'-9"	113		B		P 1113	176	25'-6"		23845	S			S 1101	180		21'-0"	20083		S	S 1102	72	30'-0"	11476	S		S 1101	180	21'-0"	20083		S	S 1102	72	30'-0"	11476	S		S 1101	180	21'-0"	20083	S			A 526	24	17'-1"	428		S		P 1114	176	26'-6"		24780	S			S 1102	72		30'-0"	11476	S		S 1101	180	21'-0"	20083	S		S 1102	72	30'-0"		11476	S	S 1101	180	21'-0"	20083	S		S 1102	72	30'-0"	11476	S			A 527	4	12'-6"	52		S		P 1115	104	27'-1"		14963	S			S 1101	180		21'-0"	20083	S		S 1102	72	30'-0"	11476	S		S 1101	180	21'-0"	20083		S	S 1102	72	30'-0"	11476	S		S 1101	180	21'-0"	20083	S			A 528	48	6'-11"	346		B		P 1116	104	27'-9"		15333	S			S 1102	72		30'-0"	11476	S		S 1101	180	21'-0"	20083	S		S 1102	72	30'-0"	11476		S	S 1101	180	21'-0"	20083	S		S 1102	72	30'-0"	11476	S		A 529		16	17'-1"		*	S		P 1117	2024	32'-0"		344112	S		S 1101		180		21'-0"	20083	S		S 1102	72	30'-0"	11476	S		S 1101	180	21'-0"	20083		S	S 1102	72	30'-0"	11476	S		S 1101	180	21'-0"	20083	S		A 601	36		13'-2"		1899	B		P 1118	88	29'-6"		13793	S		S 1102		72		30'-0"	11476	S		S 1101	180	21'-0"	20083	S		S 1102	72	30'-0"	11476		S	S 1101	180	21'-0"	20083	S	S 1102		72	30'-0"	11476	S		A 602	8	21'-1"		253		B		P 1119	176	28'-6"		26650	S		S 1101		180		21'-0"	20083	S		S 1102	72	30'-0"	11476	S		S 1101	180	21'-0"	20083	S		S 1102	72	30'-0"	11476	S	S 1101	180	21'-0"	20083	S			A 603	60	19'-6"		1797	B			P 1120	192	26'-2"		26693	S		S 1102		72		30'-0"	11476	S		S 1101	180	21'-0"	20083	S		S 1102	72	30'-0"	11476	S	S 1101	180	21'-0"	20083		S	S 1102	72	30'-0"	11476	S			A 604	60	18'-11"	1705		B			P 1121	88	25'-0"		11689	S		S 1101		180		21'-0"	20083	S	S 1102		72	30'-0"	11476	S	S 1101	180	21'-0"		20083	S	S 1102	72		30'-0"	11476	S	S 1101	180	21'-0"	20083		S		A 605	32	9'-4"		449		B		P 1122	264	24'-6"		34364	S		S 1102	72			30'-0"	11476	S	S 1101	180	21'-0"		20083	S	S 1102	72	30'-0"	11476			S	S 1101	180	21'-0"	20083	S		S 1102	72	30'-0"	11476	S			A 606	44	5'-4"	352		B																																																		
S 506	160	9'-1"	1516	B		A 506	40	34'-2"	1425	S			P 506	1570	21'-9"	35616	B																																																																																																																																																																																																																																																																																																																																																																																																																																																																																																																																																																																																																																																																																																																																																																																																																																																																																																																																																																																																																																																																																																																																																																																																																																																																																																																																																																																																																
S 507	736	9'-1"	6973	B		S 508	132	7'-7"	1513	B			S 509	1104	7'-7"	8732	B				S 510	736	5'-2"	3966	S				S 511	592	5'-8"	3499	S				A 507	4	31'-8"	132	S			P 507	264	4'-2"	1147	B		S 512	1168	6'-0"	7309	S	S 513	1168	6'-6"	7918	S		S 514	1728	3'-0"	5407	B			S 515	864	11'-9"	10588	B				S 516	144	4'-8"	701		S			A 508	8	2'-10"	24	B			P 508	880	6'-5"	5890	B		S 517	48	6'-1"	305	B	S 518	64	3'-9"	250	B		S 519	132	8'-7"	1719	B			S 520	128	6'-6"	868			B		S 521	64	11'-10"	790		B			A 509	16	7'-9"	129	S			P 601	176	15'-1"	3987	B		S 522	64	5'-11"	335	B	S 601	2879	35'-10"	154952	S			A 510	8	4'-5"		37		S		P 602	176			35'-4"		3340	S		S 602		2879		33'-10"	146304	S	S 603	2646	21'-0"		83460		S	S 604	36	14'-0"		757	S		S 605	576		35'-6"		30713	S		S 606		32	16'-6"		745	S		A 511	12		7'-11"	99	S		P 603	88	32'-3"	4263	S		S 607	8	3'-3"	39	S	S 608	492	6'-0"	4434	S		S 609	2116	10'-0"	31782		S		S 610	3744	37'-6"	210881		S			S 611	420	13'-10"	8727			S		A 512	24	3'-10"	96	S			P 1001	220	24'-0"	22720	S		S 612	2304	32'-0"	110739	S	S 701	2849	35'-10"	208670	S			A 513	48	9'-4"		487		S		P 1101		220	38'-10"			45391	B		S 702			2849	33'-10"	197023	S	S 801	888	4'-4"			10274	S		A 514	12		13'-2"		165	S		P 1102			220	32'-10"		38377	B				S 802	592	6'-0"	9484	S		S 803	592	6'-6"	10274		S	S 901		480	30'-0"	48960		S			A 515		12	9'-0"	113		S				P 1103	528	20'-0"	56105	S			S 1001	918	21'-0"	82953	S	S 1002	420	30'-0"	34218		S	S 1003	36		14'-0"	2169	S		S 1101	180			21'-0"	20083	S		S 1102	72			30'-0"	11476	S		A 516	24		5'-6"	138	S		P 1104	220	44'-0"	51430	S		S 801	888	4'-4"	10274	S	S 802	592	6'-0"	9484	S		S 803	592	6'-6"	10274		S		S 901	480	30'-0"		48960		S		S 1001	918	21'-0"			82953	S		A 517	12	19'-5"	243	S			P 1105	1144	17'-0"	103327	S		S 1002	420	30'-0"	34218	S	S 1003	36	14'-0"	2169	S		S 1101	180	21'-0"	20083		S		S 1102	72	30'-0"		11476		S		S 1101	180	21'-0"			20083	S		A 518	8	8'-7"	72	B			P 1106	1144	13'-3"	80534	S		S 1102	72	30'-0"	11476	S	S 1101	180	21'-0"	20083	S		S 1102	72	30'-0"	11476		S		S 1101	180	21'-0"		20083		S		S 1102	72	30'-0"			11476	S		A 519	4	8'-11"	37	B			P 1107	104	13'-0"	7183	S		S 1101	180	21'-0"	20083	S	S 1102	72	30'-0"	11476	S		S 1101	180	21'-0"	20083		S		S 1102	72	30'-0"		11476		S		S 1101	180			21'-0"	20083	S		A 520	4	10'-1"		42	B		P 1108	104	15'-9"	8703	S		S 1102	72	30'-0"	11476	S	S 1101	180	21'-0"	20083	S		S 1102	72	30'-0"	11476		S		S 1101	180	21'-0"		20083		S		S 1102	72			30'-0"	11476	S		A 521	4	11'-1"		46	B		P 1109	104	18'-0"	9946	S		S 1101	180	21'-0"	20083	S	S 1102	72	30'-0"	11476	S		S 1101	180	21'-0"	20083		S		S 1102	72	30'-0"		11476		S		S 1101	180		21'-0"		20083	S		A 522	12	4'-7"	57		B		P 1110	104	20'-3"	11189	S		S 1102	72	30'-0"	11476	S	S 1101	180	21'-0"	20083	S		S 1102	72	30'-0"	11476		S		S 1101	180	21'-0"		20083		S		S 1102	72		30'-0"		11476	S		A 523	16	5'-11"	99		B		P 1111	176	22'-6"	21039	S		S 1101	180	21'-0"	20083	S	S 1102	72	30'-0"	11476	S		S 1101	180	21'-0"	20083		S		S 1102	72	30'-0"		11476	S			S 1101	180		21'-0"		20083	S		A 524	12	6'-5"		90	B		P 1112	104	25'-2"	13908	S		S 1102	72	30'-0"	11476	S	S 1101	180	21'-0"	20083		S	S 1102	72	30'-0"	11476		S		S 1101	180	21'-0"		20083	S			S 1102	72		30'-0"	11476		S		A 525	16	6'-9"	113		B		P 1113	176	25'-6"	23845	S		S 1101	180	21'-0"	20083	S	S 1102	72	30'-0"	11476		S	S 1101	180	21'-0"	20083		S		S 1102	72	30'-0"		11476	S			S 1101	180		21'-0"	20083		S		A 526	24	17'-1"	428		S		P 1114	176	26'-6"	24780	S		S 1102	72	30'-0"	11476	S	S 1101	180	21'-0"	20083		S	S 1102	72	30'-0"	11476		S		S 1101	180	21'-0"		20083	S			S 1102	72		30'-0"	11476	S			A 527	4	12'-6"	52		S		P 1115	104	27'-1"	14963	S		S 1101	180	21'-0"	20083	S	S 1102	72	30'-0"	11476		S	S 1101	180	21'-0"	20083		S		S 1102	72	30'-0"		11476	S			S 1101	180		21'-0"	20083	S			A 528	48	6'-11"	346		B		P 1116	104	27'-9"	15333	S		S 1102	72	30'-0"	11476	S	S 1101	180	21'-0"	20083		S	S 1102	72	30'-0"	11476		S		S 1101	180	21'-0"		20083	S			S 1102	72		30'-0"	11476	S			A 529	16	17'-1"	*		S		P 1117	2024	32'-0"	344112	S		S 1101	180	21'-0"	20083	S	S 1102	72	30'-0"	11476		S	S 1101	180	21'-0"		20083	S		S 1102	72	30'-0"		11476	S		S 1101		180		21'-0"	20083	S			A 601	36	13'-2"	1899		B		P 1118	88	29'-6"	13793	S		S 1102	72	30'-0"	11476	S	S 1101	180	21'-0"	20083		S	S 1102	72	30'-0"		11476	S		S 1101	180	21'-0"		20083	S		S 1102		72		30'-0"	11476	S			A 602	8	21'-1"	253		B		P 1119	176	28'-6"	26650	S		S 1101	180	21'-0"	20083	S	S 1102	72	30'-0"	11476		S	S 1101	180		21'-0"	20083	S		S 1102	72	30'-0"		11476	S		S 1101		180		21'-0"	20083	S			A 603	60	19'-6"	1797		B		P 1120	192	26'-2"	26693	S		S 1102	72	30'-0"	11476	S	S 1101	180	21'-0"	20083		S	S 1102	72		30'-0"	11476		S	S 1101	180	21'-0"		20083	S		S 1102		72		30'-0"	11476	S			A 604	60	18'-11"	1705		B		P 1121	88	25'-0"	11689	S		S 1101	180	21'-0"	20083	S	S 1102	72	30'-0"		11476	S	S 1101	180	21'-0"		20083	S		S 1102	72	30'-0"		11476	S		S 1101		180		21'-0"	20083	S			A 605	32	9'-4"	449	B		P 1122		264	24'-6"	34364	S		S 1102	72	30'-0"	11476	S	S 1101	180	21'-0"	20083		S	S 1102	72	30'-0"	11476		S		S 1101	180	21'-0"		20083	S		S 1102	72			30'-0"	11476	S		A 606	44		5'-4"	352	B																																																																											
S 508	132	7'-7"	1513	B		S 509	1104	7'-7"	8732	B			S 510	736	5'-2"	3966	S				S 511	592	5'-8"	3499	S				A 507	4	31'-8"	132	S				P 507	264	4'-2"	1147	B			S 512	1168	6'-0"	7309	S		S 513	1168	6'-6"	7918	S	S 514	1728	3'-0"	5407	B		S 515	864	11'-9"	10588	B			S 516	144	4'-8"	701	S				A 508	8	2'-10"	24		B			P 508	880	6'-5"	5890	B			S 517	48	6'-1"	305	B		S 518	64	3'-9"	250	B	S 519	132	8'-7"	1719	B		S 520	128	6'-6"	868	B			S 521	64	11'-10"	790		B			A 509	16	7'-9"	129		S			P 601	176	15'-1"	3987	B			S 522	64	5'-11"	335	B		S 601	2879	35'-10"	154952	S		A 510	8	4'-5"	37			S		P 602		176		35'-4"		3340	S			S 602		2879	33'-10"		146304		S	S 603	2646	21'-0"	83460	S	S 604	36	14'-0"	757		S	S 605	576	35'-6"		30713	S		S 606	32	16'-6"	745		S			A 511	12	7'-11"	99		S			P 603	88	32'-3"	4263	S			S 607	8	3'-3"	39	S		S 608	492	6'-0"	4434	S	S 609	2116	10'-0"	31782	S		S 610	3744	37'-6"	210881		S		S 611	420	13'-10"	8727		S			A 512	24	3'-10"	96		S			P 1001	220	24'-0"	22720	S			S 612	2304	32'-0"	110739	S		S 701	2849	35'-10"	208670	S		A 513	48	9'-4"	487			S		P 1101		220		38'-10"		45391		B		S 702		2849	33'-10"		197023		S	S 801	888	4'-4"	10274	S		A 514	12		13'-2"	165		S			P 1102		220	32'-10"		38377	B			S 802		592	6'-0"	9484			S	S 803	592	6'-6"	10274	S	S 901	480	30'-0"	48960		S			A 515	12	9'-0"		113		S			P 1103	528	20'-0"		56105	S				S 1001	918	21'-0"	82953		S	S 1002	420	30'-0"	34218	S	S 1003	36	14'-0"	2169		S	S 1101	180		21'-0"	20083	S		S 1102	72		30'-0"	11476	S			A 516	24		5'-6"	138	S			P 1104	220	44'-0"	51430	S			S 801	888	4'-4"	10274	S		S 802	592	6'-0"	9484	S	S 803	592	6'-6"	10274	S		S 901	480	30'-0"	48960		S		S 1001	918	21'-0"		82953	S			A 517	12	19'-5"		243	S			P 1105	1144	17'-0"	103327	S			S 1002	420	30'-0"	34218	S		S 1003	36	14'-0"	2169	S	S 1101	180	21'-0"	20083	S		S 1102	72	30'-0"	11476		S		S 1101	180	21'-0"		20083	S			A 518	8	8'-7"		72	B			P 1106	1144	13'-3"	80534	S			S 1102	72	30'-0"	11476	S		S 1101	180	21'-0"	20083	S	S 1102	72	30'-0"	11476	S		S 1101	180	21'-0"	20083		S		S 1102	72	30'-0"		11476	S			A 519	4	8'-11"		37	B			P 1107	104	13'-0"	7183	S			S 1101	180	21'-0"	20083	S		S 1102	72	30'-0"	11476	S	S 1101	180	21'-0"	20083	S		S 1102	72	30'-0"	11476		S		S 1101	180	21'-0"		20083	S			A 520	4		10'-1"	42	B			P 1108	104	15'-9"	8703	S			S 1102	72	30'-0"	11476	S		S 1101	180	21'-0"	20083	S	S 1102	72	30'-0"	11476	S		S 1101	180	21'-0"	20083		S		S 1102	72	30'-0"		11476	S			A 521	4		11'-1"	46	B			P 1109	104	18'-0"	9946	S			S 1101	180	21'-0"	20083	S		S 1102	72	30'-0"	11476	S	S 1101	180	21'-0"	20083	S		S 1102	72	30'-0"	11476		S		S 1101	180	21'-0"		20083	S			A 522	12		4'-7"	57	B			P 1110	104	20'-3"	11189	S			S 1102	72	30'-0"	11476	S		S 1101	180	21'-0"	20083	S	S 1102	72	30'-0"	11476	S		S 1101	180	21'-0"	20083		S		S 1102	72	30'-0"		11476	S			A 523	16		5'-11"	99	B			P 1111	176	22'-6"	21039	S			S 1101	180	21'-0"	20083	S		S 1102	72	30'-0"	11476	S	S 1101	180	21'-0"	20083	S		S 1102	72	30'-0"	11476		S		S 1101	180	21'-0"		20083	S			A 524	12		6'-5"	90	B			P 1112	104	25'-2"	13908	S			S 1102	72	30'-0"	11476	S		S 1101	180	21'-0"	20083	S	S 1102	72	30'-0"	11476		S	S 1101	180	21'-0"	20083		S		S 1102	72	30'-0"		11476	S			A 525	16		6'-9"	113	B			P 1113	176	25'-6"	23845	S			S 1101	180	21'-0"	20083	S		S 1102	72	30'-0"	11476	S	S 1101	180	21'-0"	20083		S	S 1102	72	30'-0"	11476		S		S 1101	180	21'-0"		20083	S			A 526	24		17'-1"	428	S			P 1114	176	26'-6"	24780	S			S 1102	72	30'-0"	11476	S		S 1101	180	21'-0"	20083	S	S 1102	72	30'-0"	11476		S	S 1101	180	21'-0"	20083		S		S 1102	72	30'-0"		11476	S			A 527	4		12'-6"	52	S			P 1115	104	27'-1"	14963	S			S 1101	180	21'-0"	20083	S		S 1102	72	30'-0"	11476	S	S 1101	180	21'-0"	20083		S	S 1102	72	30'-0"	11476		S		S 1101	180	21'-0"		20083	S			A 528	48		6'-11"	346	B			P 1116	104	27'-9"	15333	S			S 1102	72	30'-0"	11476	S		S 1101	180	21'-0"	20083	S	S 1102	72	30'-0"	11476		S	S 1101	180	21'-0"	20083		S		S 1102	72	30'-0"		11476	S			A 529	16		17'-1"	*	S			P 1117	2024	32'-0"	344112	S			S 1101	180	21'-0"	20083	S		S 1102	72	30'-0"	11476	S	S 1101	180	21'-0"	20083		S	S 1102	72	30'-0"		11476	S		S 1101	180	21'-0"		20083	S			A 601	36		13'-2"	1899	B			P 1118	88	29'-6"	13793	S			S 1102	72	30'-0"	11476	S		S 1101	180	21'-0"	20083	S	S 1102	72	30'-0"	11476		S	S 1101	180	21'-0"		20083	S		S 1102	72	30'-0"		11476	S			A 602	8		21'-1"	253	B			P 1119	176	28'-6"	26650	S			S 1101	180	21'-0"	20083	S		S 1102	72	30'-0"	11476	S	S 1101	180	21'-0"	20083		S	S 1102	72		30'-0"	11476	S		S 1101	180	21'-0"		20083	S			A 603	60		19'-6"	1797	B			P 1120	192	26'-2"	26693	S			S 1102	72	30'-0"	11476	S		S 1101	180	21'-0"	20083	S	S 1102	72	30'-0"	11476		S	S 1101	180		21'-0"	20083		S	S 1102	72	30'-0"		11476	S			A 604	60		18'-11"	1705	B			P 1121	88	25'-0"	11689	S			S 1101	180	21'-0"	20083	S		S 1102	72	30'-0"	11476	S	S 1101	180	21'-0"		20083	S	S 1102	72	30'-0"		11476	S		S 1101	180	21'-0"		20083	S			A 605	32		9'-4"	449	B			P 1122	264	24'-6"	34364	S			S 1102	72	30'-0"	11476	S		S 1101	180	21'-0"	20083	S	S 1102	72	30'-0"	11476		S	S 1101	180	21'-0"	20083		S		S 1102	72	30'-0"		11476	S			A 606	44		5'-4"	352	B																																																																																		
S 509	1104	7'-7"	8732	B		S 510	736	5'-2"	3966	S			S 511	592	5'-8"	3499	S				A 507	4	31'-8"	132	S				P 507	264	4'-2"	1147	B				S 512	1168	6'-0"	7309	S			S 513	1168	6'-6"	7918	S		S 514	1728	3'-0"	5407	B	S 515	864	11'-9"	10588	B		S 516	144	4'-8"	701	S			A 508	8	2'-10"	24	B				P 508	880	6'-5"	5890	B				S 517	48	6'-1"	305	B			S 518	64	3'-9"	250	B		S 519	132	8'-7"	1719	B	S 520	128	6'-6"	868	B		S 521	64	11'-10"	790	B			A 509	16	7'-9"	129	S				P 601	176	15'-1"	3987	B				S 522	64	5'-11"	335	B			S 601	2879	35'-10"	154952	S			A 510	8	4'-5"	37		S		P 602	176			35'-4"		3340	S			S 602		2879	33'-10"	146304		S		S 603	2646		21'-0"	83460	S	S 604	36	14'-0"	757	S	S 605	576	35'-6"	30713		S	S 606	32	16'-6"	745	S			A 511	12	7'-11"	99	S				P 603	88	32'-3"	4263	S				S 607	8	3'-3"	39	S			S 608	492	6'-0"	4434	S		S 609	2116	10'-0"	31782	S	S 610	3744	37'-6"	210881	S		S 611	420	13'-10"	8727	S			A 512	24	3'-10"	96	S				P 1001	220	24'-0"	22720	S				S 612	2304	32'-0"	110739	S			S 701	2849	35'-10"	208670	S			A 513	48	9'-4"	487		S		P 1101	220			38'-10"		45391	B			S 702		2849	33'-10"	197023		S		S 801	888		4'-4"	10274	S		A 514	12	13'-2"	165		S			P 1102	220		32'-10"		38377	B			S 802		592	6'-0"	9484		S		S 803	592	6'-6"	10274		S	S 901	480	30'-0"	48960	S		A 515	12	9'-0"		113		S		P 1103	528		20'-0"		56105		S		S 1001	918		21'-0"	82953	S			S 1002	420	30'-0"	34218		S	S 1003	36	14'-0"	2169	S	S 1101	180	21'-0"	20083		S	S 1102	72	30'-0"	11476	S			A 516	24	5'-6"	138	S				P 1104	220	44'-0"	51430	S				S 801	888	4'-4"	10274	S			S 802	592	6'-0"	9484	S		S 803	592	6'-6"	10274	S	S 901	480	30'-0"	48960	S		S 1001	918	21'-0"	82953	S			A 517	12	19'-5"	243	S				P 1105	1144	17'-0"	103327	S				S 1002	420	30'-0"	34218	S			S 1003	36	14'-0"	2169	S		S 1101	180	21'-0"	20083	S	S 1102	72	30'-0"	11476	S		S 1101	180	21'-0"	20083	S			A 518	8	8'-7"	72	B				P 1106	1144	13'-3"	80534	S				S 1102	72	30'-0"	11476	S			S 1101	180	21'-0"	20083	S		S 1102	72	30'-0"	11476	S	S 1101	180	21'-0"	20083	S		S 1102	72	30'-0"	11476	S			A 519	4	8'-11"	37	B				P 1107	104	13'-0"	7183	S				S 1101	180	21'-0"	20083	S			S 1102	72	30'-0"	11476	S		S 1101	180	21'-0"	20083	S	S 1102	72	30'-0"	11476	S		S 1101	180	21'-0"	20083	S			A 520	4	10'-1"	42	B				P 1108	104	15'-9"	8703	S				S 1102	72	30'-0"	11476	S			S 1101	180	21'-0"	20083	S		S 1102	72	30'-0"	11476	S	S 1101	180	21'-0"	20083	S		S 1102	72	30'-0"	11476	S			A 521	4	11'-1"	46	B				P 1109	104	18'-0"	9946	S				S 1101	180	21'-0"	20083	S			S 1102	72	30'-0"	11476	S		S 1101	180	21'-0"	20083	S	S 1102	72	30'-0"	11476	S		S 1101	180	21'-0"	20083	S			A 522	12	4'-7"	57	B				P 1110	104	20'-3"	11189	S				S 1102	72	30'-0"	11476	S			S 1101	180	21'-0"	20083	S		S 1102	72	30'-0"	11476	S	S 1101	180	21'-0"	20083	S		S 1102	72	30'-0"	11476	S			A 523	16	5'-11"	99	B				P 1111	176	22'-6"	21039	S				S 1101	180	21'-0"	20083	S			S 1102	72	30'-0"	11476	S		S 1101	180	21'-0"	20083	S	S 1102	72	30'-0"	11476	S		S 1101	180	21'-0"	20083	S			A 524	12	6'-5"	90	B				P 1112	104	25'-2"	13908	S				S 1102	72	30'-0"	11476	S			S 1101	180	21'-0"	20083	S		S 1102	72	30'-0"	11476	S	S 1101	180	21'-0"	20083		S	S 1102	72	30'-0"	11476	S			A 525	16	6'-9"	113	B				P 1113	176	25'-6"	23845	S				S 1101	180	21'-0"	20083	S			S 1102	72	30'-0"	11476	S		S 1101	180	21'-0"	20083	S	S 1102	72	30'-0"	11476		S	S 1101	180	21'-0"	20083	S			A 526	24	17'-1"	428	S				P 1114	176	26'-6"	24780	S				S 1102	72	30'-0"	11476	S			S 1101	180	21'-0"	20083	S		S 1102	72	30'-0"	11476	S	S 1101	180	21'-0"	20083		S	S 1102	72	30'-0"	11476	S			A 527	4	12'-6"	52	S				P 1115	104	27'-1"	14963	S				S 1101	180	21'-0"	20083	S			S 1102	72	30'-0"	11476	S		S 1101	180	21'-0"	20083	S	S 1102	72	30'-0"	11476		S	S 1101	180	21'-0"	20083	S			A 528	48	6'-11"	346	B				P 1116	104	27'-9"	15333	S				S 1102	72	30'-0"	11476	S			S 1101	180	21'-0"	20083	S		S 1102	72	30'-0"	11476	S	S 1101	180	21'-0"	20083		S	S 1102	72	30'-0"	11476	S			A 529	16	17'-1"	*	S				P 1117	2024	32'-0"	344112	S				S 1101	180	21'-0"	20083	S			S 1102	72	30'-0"	11476	S		S 1101	180	21'-0"	20083	S	S 1102	72	30'-0"	11476		S	S 1101	180	21'-0"	20083	S			A 601	36	13'-2"	1899	B				P 1118	88	29'-6"	13793	S				S 1102	72	30'-0"	11476	S			S 1101	180	21'-0"	20083	S		S 1102	72	30'-0"	11476	S	S 1101	180	21'-0"	20083		S	S 1102	72	30'-0"	11476	S			A 602	8	21'-1"	253	B				P 1119	176	28'-6"	26650	S				S 1101	180	21'-0"	20083	S			S 1102	72	30'-0"	11476	S		S 1101	180	21'-0"	20083	S	S 1102	72	30'-0"	11476		S	S 1101	180	21'-0"	20083	S			A 603	60	19'-6"	1797	B				P 1120	192	26'-2"	26693	S				S 1102	72	30'-0"	11476	S			S 1101	180	21'-0"	20083	S		S 1102	72	30'-0"	11476	S	S 1101	180	21'-0"	20083		S	S 1102	72	30'-0"	11476	S			A 604	60	18'-11"	1705	B				P 1121	88	25'-0"	11689	S				S 1101	180	21'-0"	20083	S			S 1102	72	30'-0"	11476	S		S 1101	180	21'-0"	20083	S	S 1102	72	30'-0"		11476	S	S 1101	180	21'-0"	20083	S			A 605	32	9'-4"	449	B				P 1122	264	24'-6"	34364	S				S 1102	72	30'-0"	11476	S			S 1101	180	21'-0"	20083	S		S 1102	72	30'-0"	11476	S	S 1101	180	21'-0"	20083		S	S 1102	72	30'-0"	11476	S			A 606	44	5'-4"	352	B																																																																																											
S 510	736	5'-2"	3966	S		S 511	592	5'-8"	3499	S			A 507	4	31'-8"	132	S				P 507	264	4'-2"	1147	B				S 512	1168	6'-0"	7309	S				S 513	1168	6'-6"	7918	S			S 514	1728	3'-0"	5407	B		S 515	864	11'-9"	10588	B	S 516	144	4'-8"	701	S		A 508	8	2'-10"	24	B			P 508	880	6'-5"	5890	B				S 517	48	6'-1"	305	B				S 518	64	3'-9"	250	B			S 519	132	8'-7"	1719	B		S 520	128	6'-6"	868	B	S 521	64	11'-10"	790	B		A 509	16	7'-9"	129	S			P 601	176	15'-1"	3987	B				S 522	64	5'-11"	335	B				S 601	2879	35'-10"	154952	S				A 510	8	4'-5"	37			S		P 602	176		35'-4"		3340	S			S 602		2879	33'-10"		146304	S		S 603	2646	21'-0"		83460	S	S 604	36		14'-0"	757	S	S 605	576	35'-6"	30713	S	S 606	32	16'-6"	745	S		A 511	12	7'-11"	99	S			P 603	88	32'-3"	4263	S				S 607	8	3'-3"	39	S				S 608	492	6'-0"	4434	S			S 609	2116	10'-0"	31782	S		S 610	3744	37'-6"	210881	S	S 611	420	13'-10"	8727	S		A 512	24	3'-10"	96	S			P 1001	220	24'-0"	22720	S				S 612	2304	32'-0"	110739	S				S 701	2849	35'-10"	208670	S				A 513	48	9'-4"	487			S		P 1101	220		38'-10"		45391	B			S 702		2849	33'-10"		197023	S		S 801	888	4'-4"		10274	S		A 514		12	13'-2"	165		S		P 1102	220		32'-10"		38377	B			S 802		592	6'-0"	9484		S		S 803	592	6'-6"		10274	S	S 901	480	30'-0"	48960		S		A 515	12	9'-0"	113		S		P 1103	528	20'-0"		56105		S		S 1001	918		21'-0"		82953		S	S 1002	420	30'-0"	34218	S			S 1003	36	14'-0"	2169		S	S 1101	180	21'-0"	20083	S	S 1102	72	30'-0"	11476	S		A 516	24	5'-6"	138	S			P 1104	220	44'-0"	51430	S				S 801	888	4'-4"	10274	S				S 802	592	6'-0"	9484	S			S 803	592	6'-6"	10274	S		S 901	480	30'-0"	48960	S	S 1001	918	21'-0"	82953	S		A 517	12	19'-5"	243	S			P 1105	1144	17'-0"	103327	S				S 1002	420	30'-0"	34218	S				S 1003	36	14'-0"	2169	S			S 1101	180	21'-0"	20083	S		S 1102	72	30'-0"	11476	S	S 1101	180	21'-0"	20083	S		A 518	8	8'-7"	72	B			P 1106	1144	13'-3"	80534	S				S 1102	72	30'-0"	11476	S				S 1101	180	21'-0"	20083	S			S 1102	72	30'-0"	11476	S		S 1101	180	21'-0"	20083	S	S 1102	72	30'-0"	11476	S		A 519	4	8'-11"	37	B			P 1107	104	13'-0"	7183	S				S 1101	180	21'-0"	20083	S				S 1102	72	30'-0"	11476	S			S 1101	180	21'-0"	20083	S		S 1102	72	30'-0"	11476	S	S 1101	180	21'-0"	20083	S		A 520	4	10'-1"	42	B			P 1108	104	15'-9"	8703	S				S 1102	72	30'-0"	11476	S				S 1101	180	21'-0"	20083	S			S 1102	72	30'-0"	11476	S		S 1101	180	21'-0"	20083	S	S 1102	72	30'-0"	11476	S		A 521	4	11'-1"	46	B			P 1109	104	18'-0"	9946	S				S 1101	180	21'-0"	20083	S				S 1102	72	30'-0"	11476	S			S 1101	180	21'-0"	20083	S		S 1102	72	30'-0"	11476	S	S 1101	180	21'-0"	20083	S		A 522	12	4'-7"	57	B			P 1110	104	20'-3"	11189	S				S 1102	72	30'-0"	11476	S				S 1101	180	21'-0"	20083	S			S 1102	72	30'-0"	11476	S		S 1101	180	21'-0"	20083	S	S 1102	72	30'-0"	11476	S		A 523	16	5'-11"	99	B			P 1111	176	22'-6"	21039	S				S 1101	180	21'-0"	20083	S				S 1102	72	30'-0"	11476	S			S 1101	180	21'-0"	20083	S		S 1102	72	30'-0"	11476	S	S 1101	180	21'-0"	20083	S		A 524	12	6'-5"	90	B			P 1112	104	25'-2"	13908	S				S 1102	72	30'-0"	11476	S				S 1101	180	21'-0"	20083	S			S 1102	72	30'-0"	11476	S		S 1101	180	21'-0"	20083	S	S 1102	72	30'-0"	11476	S		A 525	16	6'-9"	113	B			P 1113	176	25'-6"	23845	S				S 1101	180	21'-0"	20083	S				S 1102	72	30'-0"	11476	S			S 1101	180	21'-0"	20083	S		S 1102	72	30'-0"	11476	S	S 1101	180	21'-0"	20083	S		A 526	24	17'-1"	428	S			P 1114	176	26'-6"	24780	S				S 1102	72	30'-0"	11476	S				S 1101	180	21'-0"	20083	S			S 1102	72	30'-0"	11476	S		S 1101	180	21'-0"	20083	S	S 1102	72	30'-0"	11476	S		A 527	4	12'-6"	52	S			P 1115	104	27'-1"	14963	S				S 1101	180	21'-0"	20083	S				S 1102	72	30'-0"	11476	S			S 1101	180	21'-0"	20083	S		S 1102	72	30'-0"	11476	S	S 1101	180	21'-0"	20083	S		A 528	48	6'-11"	346	B			P 1116	104	27'-9"	15333	S				S 1102	72	30'-0"	11476	S				S 1101	180	21'-0"	20083	S			S 1102	72	30'-0"	11476	S		S 1101	180	21'-0"	20083	S	S 1102	72	30'-0"	11476	S		A 529	16	17'-1"	*	S			P 1117	2024	32'-0"	344112	S				S 1101	180	21'-0"	20083	S				S 1102	72	30'-0"	11476	S			S 1101	180	21'-0"	20083	S		S 1102	72	30'-0"	11476	S	S 1101	180	21'-0"	20083	S		A 601	36	13'-2"	1899	B			P 1118	88	29'-6"	13793	S				S 1102	72	30'-0"	11476	S				S 1101	180	21'-0"	20083	S			S 1102	72	30'-0"	11476	S		S 1101	180	21'-0"	20083	S	S 1102	72	30'-0"	11476	S		A 602	8	21'-1"	253	B			P 1119	176	28'-6"	26650	S				S 1101	180	21'-0"	20083	S				S 1102	72	30'-0"	11476	S			S 1101	180	21'-0"	20083	S		S 1102	72	30'-0"	11476	S	S 1101	180	21'-0"	20083	S		A 603	60	19'-6"	1797	B			P 1120	192	26'-2"	26693	S				S 1102	72	30'-0"	11476	S				S 1101	180	21'-0"	20083	S			S 1102	72	30'-0"	11476	S		S 1101	180	21'-0"	20083	S	S 1102	72	30'-0"	11476	S		A 604	60	18'-11"	1705	B			P 1121	88	25'-0"	11689	S				S 1101	180	21'-0"	20083	S				S 1102	72	30'-0"	11476	S			S 1101	180	21'-0"	20083	S		S 1102	72	30'-0"	11476	S	S 1101	180	21'-0"	20083	S		A 605	32	9'-4"	449	B			P 1122	264	24'-6"	34364	S				S 1102	72	30'-0"	11476	S				S 1101	180	21'-0"	20083	S			S 1102	72	30'-0"	11476	S		S 1101	180	21'-0"	20083	S	S 1102	72	30'-0"	11476	S		A 606	44	5'-4"	352	B																																																																																																		
S 511	592	5'-8"	3499	S		A 507	4	31'-8"	132	S			P 507	264	4'-2"	1147	B																																																																																																																																																																																																																																																																																																																																																																																																																																																																																																																																																																																																																																																																																																																																																																																																																																																																																																																																																																																																																																																																																																																																																																																																																																																																																																																																																																																																																
S 512	1168	6'-0"	7309	S		S 513	1168	6'-6"	7918	S			S 514	1728	3'-0"	5407	B				S 515	864	11'-9"	10588	B				S 516	144	4'-8"	701	S				A 508	8	2'-10"	24	B			P 508	880	6'-5"	5890	B		S 517	48	6'-1"	305	B	S 518	64	3'-9"	250	B		S 519	132	8'-7"	1719	B			S 520	128	6'-6"	868	B				S 521	64	11'-10"	790	B				A 509	16	7'-9"	129	S			P 601	176	15'-1"	3987	B		S 522	64	5'-11"	335	B	S 601	2879	35'-10"	154952	S			A 510	8	4'-5"	37			S		P 602	176	35'-4"				3340	S		S 602	2879			33'-10"	146304	S	S 603	2646	21'-0"		83460		S	S 604	36	14'-0"	757		S		S 605	576		35'-6"		30713	S		S 606	32		16'-6"	745		S		A 511	12	7'-11"	99		S		P 603	88	32'-3"	4263	S		S 607	8	3'-3"	39	S	S 608	492	6'-0"	4434	S		S 609	2116	10'-0"	31782	S			S 610	3744	37'-6"	210881	S				S 611	420	13'-10"	8727	S				A 512	24	3'-10"	96	S			P 1001	220	24'-0"	22720	S		S 612	2304	32'-0"	110739	S	S 701	2849	35'-10"	208670	S			A 513	48	9'-4"	487			S		P 1101	220	38'-10"				45391	B		S 702	2849			33'-10"	197023	S	S 801	888	4'-4"		10274		S		A 514	12	13'-2"		165		S			P 1102		220	32'-10"		38377	B			S 802		592	6'-0"	9484	S	S 803	592		6'-6"	10274		S	S 901	480	30'-0"	48960		S			A 515		12		9'-0"	113		S			P 1103	528	20'-0"		56105	S		S 1001	918		21'-0"	82953	S	S 1002	420	30'-0"	34218	S		S 1003	36	14'-0"	2169		S		S 1101	180	21'-0"		20083		S		S 1102	72	30'-0"	11476		S			A 516	24	5'-6"	138	S			P 1104	220	44'-0"	51430	S		S 801	888	4'-4"	10274	S	S 802	592	6'-0"	9484	S		S 803	592	6'-6"	10274	S			S 901	480	30'-0"	48960	S				S 1001	918	21'-0"	82953	S				A 517	12	19'-5"	243	S			P 1105	1144	17'-0"	103327	S		S 1002	420	30'-0"	34218	S	S 1003	36	14'-0"	2169	S		S 1101	180	21'-0"	20083	S			S 1102	72	30'-0"	11476	S				S 1101	180	21'-0"	20083	S				A 518	8	8'-7"	72	B			P 1106	1144	13'-3"	80534	S		S 1102	72	30'-0"	11476	S	S 1101	180	21'-0"	20083	S		S 1102	72	30'-0"	11476	S			S 1101	180	21'-0"	20083	S				S 1102	72	30'-0"	11476	S				A 519	4	8'-11"	37	B			P 1107	104	13'-0"	7183	S		S 1101	180	21'-0"	20083	S	S 1102	72	30'-0"	11476	S		S 1101	180	21'-0"	20083	S			S 1102	72	30'-0"	11476	S				S 1101	180	21'-0"	20083	S				A 520	4	10'-1"	42	B			P 1108	104	15'-9"	8703	S		S 1102	72	30'-0"	11476	S	S 1101	180	21'-0"	20083	S		S 1102	72	30'-0"	11476	S			S 1101	180	21'-0"	20083	S				S 1102	72	30'-0"	11476	S				A 521	4	11'-1"	46	B			P 1109	104	18'-0"	9946	S		S 1101	180	21'-0"	20083	S	S 1102	72	30'-0"	11476	S		S 1101	180	21'-0"	20083	S			S 1102	72	30'-0"	11476	S				S 1101	180	21'-0"	20083	S				A 522	12	4'-7"	57	B			P 1110	104	20'-3"	11189	S		S 1102	72	30'-0"	11476	S	S 1101	180	21'-0"	20083	S		S 1102	72	30'-0"	11476	S			S 1101	180	21'-0"	20083	S				S 1102	72	30'-0"	11476	S				A 523	16	5'-11"	99	B			P 1111	176	22'-6"	21039	S		S 1101	180	21'-0"	20083	S	S 1102	72	30'-0"	11476	S		S 1101	180	21'-0"	20083	S			S 1102	72	30'-0"	11476	S				S 1101	180	21'-0"	20083	S				A 524	12	6'-5"	90	B			P 1112	104	25'-2"	13908	S		S 1102	72	30'-0"	11476	S	S 1101	180	21'-0"	20083	S		S 1102	72	30'-0"	11476	S			S 1101	180	21'-0"	20083	S				S 1102	72	30'-0"	11476	S				A 525	16	6'-9"	113	B			P 1113	176	25'-6"	23845	S		S 1101	180	21'-0"	20083	S	S 1102	72	30'-0"	11476	S		S 1101	180	21'-0"	20083	S			S 1102	72	30'-0"	11476	S				S 1101	180	21'-0"	20083	S				A 526	24	17'-1"	428	S			P 1114	176	26'-6"	24780	S		S 1102	72	30'-0"	11476	S	S 1101	180	21'-0"	20083	S		S 1102	72	30'-0"	11476	S			S 1101	180	21'-0"	20083	S				S 1102	72	30'-0"	11476	S				A 527	4	12'-6"	52	S			P 1115	104	27'-1"	14963	S		S 1101	180	21'-0"	20083	S	S 1102	72	30'-0"	11476	S		S 1101	180	21'-0"	20083	S			S 1102	72	30'-0"	11476	S				S 1101	180	21'-0"	20083	S				A 528	48	6'-11"	346	B			P 1116	104	27'-9"	15333	S		S 1102	72	30'-0"	11476	S	S 1101	180	21'-0"	20083	S		S 1102	72	30'-0"	11476	S			S 1101	180	21'-0"	20083	S				S 1102	72	30'-0"	11476	S				A 529	16	17'-1"	*	S			P 1117	2024	32'-0"	344112	S		S 1101	180	21'-0"	20083	S	S 1102	72	30'-0"	11476	S		S 1101	180	21'-0"	20083	S			S 1102	72	30'-0"	11476	S				S 1101	180	21'-0"	20083	S				A 601	36	13'-2"	1899	B			P 1118	88	29'-6"	13793	S		S 1102	72	30'-0"	11476	S	S 1101	180	21'-0"	20083	S		S 1102	72	30'-0"	11476	S			S 1101	180	21'-0"	20083	S				S 1102	72	30'-0"	11476	S				A 602	8	21'-1"	253	B			P 1119	176	28'-6"	26650	S		S 1101	180	21'-0"	20083	S	S 1102	72	30'-0"	11476	S		S 1101	180	21'-0"	20083	S			S 1102	72	30'-0"	11476	S				S 1101	180	21'-0"	20083	S				A 603	60	19'-6"	1797	B			P 1120	192	26'-2"	26693	S		S 1102	72	30'-0"	11476	S	S 1101	180	21'-0"	20083	S		S 1102	72	30'-0"	11476	S			S 1101	180	21'-0"	20083	S				S 1102	72	30'-0"	11476	S				A 604	60	18'-11"	1705	B			P 1121	88	25'-0"	11689	S		S 1101	180	21'-0"	20083	S	S 1102	72	30'-0"	11476	S		S 1101	180	21'-0"	20083	S			S 1102	72	30'-0"	11476	S				S 1101	180	21'-0"	20083	S				A 605	32	9'-4"	449	B			P 1122	264	24'-6"	34364	S		S 1102	72	30'-0"	11476	S	S 1101	180	21'-0"	20083	S		S 1102	72	30'-0"	11476	S			S 1101	180	21'-0"	20083	S				S 1102	72	30'-0"	11476	S				A 606	44	5'-4"	352	B																																																																																																																										
S 513	1168	6'-6"	7918	S		S 514	1728	3'-0"	5407	B			S 515	864	11'-9"	10588	B				S 516	144	4'-8"	701	S				A 508	8	2'-10"	24	B				P 508	880	6'-5"	5890	B			S 517	48	6'-1"	305	B		S 518	64	3'-9"	250	B	S 519	132	8'-7"	1719	B		S 520	128	6'-6"	868	B			S 521	64	11'-10"	790	B				A 509	16	7'-9"	129	S				P 601	176	15'-1"	3987	B			S 522	64	5'-11"	335	B		S 601	2879	35'-10"	154952	S		A 510	8	4'-5"	37			S		P 602	176			35'-4"		3340	S			S 602		2879	33'-10"		146304	S		S 603	2646	21'-0"	83460	S	S 604	36	14'-0"	757		S	S 605	576	35'-6"	30713		S		S 606	32	16'-6"	745		S			A 511	12	7'-11"	99	S				P 603	88	32'-3"	4263	S			S 607	8	3'-3"	39	S		S 608	492	6'-0"	4434	S	S 609	2116	10'-0"	31782	S		S 610	3744	37'-6"	210881	S			S 611	420	13'-10"	8727	S				A 512	24	3'-10"	96	S				P 1001	220	24'-0"	22720	S			S 612	2304	32'-0"	110739	S		S 701	2849	35'-10"	208670	S		A 513	48	9'-4"	487			S		P 1101	220			38'-10"		45391	B			S 702		2849	33'-10"		197023	S		S 801	888	4'-4"	10274	S		A 514	12	13'-2"		165		S		P 1102		220		32'-10"		38377	B			S 802		592	6'-0"	9484		S		S 803	592	6'-6"	10274	S	S 901	480	30'-0"	48960		S		A 515	12	9'-0"		113			S		P 1103		528	20'-0"		56105		S		S 1001	918		21'-0"	82953		S	S 1002	420	30'-0"	34218	S	S 1003	36	14'-0"	2169	S		S 1101	180	21'-0"	20083		S		S 1102	72	30'-0"	11476	S				A 516	24	5'-6"	138	S				P 1104	220	44'-0"	51430	S			S 801	888	4'-4"	10274	S		S 802	592	6'-0"	9484	S	S 803	592	6'-6"	10274	S		S 901	480	30'-0"	48960	S			S 1001	918	21'-0"	82953	S				A 517	12	19'-5"	243	S				P 1105	1144	17'-0"	103327	S			S 1002	420	30'-0"	34218	S		S 1003	36	14'-0"	2169	S	S 1101	180	21'-0"	20083	S		S 1102	72	30'-0"	11476	S			S 1101	180	21'-0"	20083	S				A 518	8	8'-7"	72	B				P 1106	1144	13'-3"	80534	S			S 1102	72	30'-0"	11476	S		S 1101	180	21'-0"	20083	S	S 1102	72	30'-0"	11476	S		S 1101	180	21'-0"	20083	S			S 1102	72	30'-0"	11476	S				A 519	4	8'-11"	37	B				P 1107	104	13'-0"	7183	S			S 1101	180	21'-0"	20083	S		S 1102	72	30'-0"	11476	S	S 1101	180	21'-0"	20083	S		S 1102	72	30'-0"	11476	S			S 1101	180	21'-0"	20083	S				A 520	4	10'-1"	42	B				P 1108	104	15'-9"	8703	S			S 1102	72	30'-0"	11476	S		S 1101	180	21'-0"	20083	S	S 1102	72	30'-0"	11476	S		S 1101	180	21'-0"	20083	S			S 1102	72	30'-0"	11476	S				A 521	4	11'-1"	46	B				P 1109	104	18'-0"	9946	S			S 1101	180	21'-0"	20083	S		S 1102	72	30'-0"	11476	S	S 1101	180	21'-0"	20083	S		S 1102	72	30'-0"	11476	S			S 1101	180	21'-0"	20083	S				A 522	12	4'-7"	57	B				P 1110	104	20'-3"	11189	S			S 1102	72	30'-0"	11476	S		S 1101	180	21'-0"	20083	S	S 1102	72	30'-0"	11476	S		S 1101	180	21'-0"	20083	S			S 1102	72	30'-0"	11476	S				A 523	16	5'-11"	99	B				P 1111	176	22'-6"	21039	S			S 1101	180	21'-0"	20083	S		S 1102	72	30'-0"	11476	S	S 1101	180	21'-0"	20083	S		S 1102	72	30'-0"	11476	S			S 1101	180	21'-0"	20083	S				A 524	12	6'-5"	90	B				P 1112	104	25'-2"	13908	S			S 1102	72	30'-0"	11476	S		S 1101	180	21'-0"	20083	S	S 1102	72	30'-0"	11476	S		S 1101	180	21'-0"	20083	S			S 1102	72	30'-0"	11476	S				A 525	16	6'-9"	113	B				P 1113	176	25'-6"	23845	S			S 1101	180	21'-0"	20083	S		S 1102	72	30'-0"	11476	S	S 1101	180	21'-0"	20083	S		S 1102	72	30'-0"	11476	S			S 1101	180	21'-0"	20083	S				A 526	24	17'-1"	428	S				P 1114	176	26'-6"	24780	S			S 1102	72	30'-0"	11476	S		S 1101	180	21'-0"	20083	S	S 1102	72	30'-0"	11476	S		S 1101	180	21'-0"	20083	S			S 1102	72	30'-0"	11476	S				A 527	4	12'-6"	52	S				P 1115	104	27'-1"	14963	S			S 1101	180	21'-0"	20083	S		S 1102	72	30'-0"	11476	S	S 1101	180	21'-0"	20083	S		S 1102	72	30'-0"	11476	S			S 1101	180	21'-0"	20083	S				A 528	48	6'-11"	346	B				P 1116	104	27'-9"	15333	S			S 1102	72	30'-0"	11476	S		S 1101	180	21'-0"	20083	S	S 1102	72	30'-0"	11476	S		S 1101	180	21'-0"	20083	S			S 1102	72	30'-0"	11476	S				A 529	16	17'-1"	*	S				P 1117	2024	32'-0"	344112	S			S 1101	180	21'-0"	20083	S		S 1102	72	30'-0"	11476	S	S 1101	180	21'-0"	20083	S		S 1102	72	30'-0"	11476	S			S 1101	180	21'-0"	20083	S				A 601	36	13'-2"	1899	B				P 1118	88	29'-6"	13793	S			S 1102	72	30'-0"	11476	S		S 1101	180	21'-0"	20083	S	S 1102	72	30'-0"	11476	S		S 1101	180	21'-0"	20083	S			S 1102	72	30'-0"	11476	S				A 602	8	21'-1"	253	B				P 1119	176	28'-6"	26650	S			S 1101	180	21'-0"	20083	S		S 1102	72	30'-0"	11476	S	S 1101	180	21'-0"	20083	S		S 1102	72	30'-0"	11476	S			S 1101	180	21'-0"	20083	S				A 603	60	19'-6"	1797	B				P 1120	192	26'-2"	26693	S			S 1102	72	30'-0"	11476	S		S 1101	180	21'-0"	20083	S	S 1102	72	30'-0"	11476	S		S 1101	180	21'-0"	20083	S			S 1102	72	30'-0"	11476	S				A 604	60	18'-11"	1705	B				P 1121	88	25'-0"	11689	S			S 1101	180	21'-0"	20083	S		S 1102	72	30'-0"	11476	S	S 1101	180	21'-0"	20083	S		S 1102	72	30'-0"	11476	S			S 1101	180	21'-0"	20083	S				A 605	32	9'-4"	449	B				P 1122	264	24'-6"	34364	S			S 1102	72	30'-0"	11476	S		S 1101	180	21'-0"	20083	S	S 1102	72	30'-0"	11476	S		S 1101	180	21'-0"	20083	S			S 1102	72	30'-0"	11476	S				A 606	44	5'-4"	352	B																																																																																																																																		
S 514	1728	3'-0"	5407	B		S 515	864	11'-9"	10588	B			S 516	144	4'-8"	701	S				A 508	8	2'-10"	24	B				P 508	880	6'-5"	5890	B				S 517	48	6'-1"	305	B			S 518	64	3'-9"	250	B		S 519	132	8'-7"	1719	B	S 520	128	6'-6"	868	B		S 521	64	11'-10"	790	B			A 509	16	7'-9"	129	S				P 601	176	15'-1"	3987	B				S 522	64	5'-11"	335	B			S 601	2879	35'-10"	154952	S			A 510	8	4'-5"	37		S		P 602	176			35'-4"		3340	S			S 602		2879	33'-10"		146304	S		S 603	2646		21'-0"	83460	S	S 604	36	14'-0"	757	S	S 605	576	35'-6"	30713		S	S 606	32	16'-6"	745	S			A 511	12	7'-11"	99	S				P 603	88	32'-3"	4263	S				S 607	8	3'-3"	39	S			S 608	492	6'-0"	4434	S		S 609	2116	10'-0"	31782	S	S 610	3744	37'-6"	210881	S		S 611	420	13'-10"	8727	S			A 512	24	3'-10"	96	S				P 1001	220	24'-0"	22720	S				S 612	2304	32'-0"	110739	S			S 701	2849	35'-10"	208670	S			A 513	48	9'-4"	487		S		P 1101	220			38'-10"		45391	B			S 702		2849	33'-10"		197023	S		S 801	888		4'-4"	10274	S		A 514	12	13'-2"	165		S		P 1102		220		32'-10"		38377	B			S 802		592	6'-0"	9484		S		S 803	592	6'-6"		10274	S	S 901	480	30'-0"	48960	S		A 515	12	9'-0"		113		S		P 1103	528	20'-0"			56105		S		S 1001	918		21'-0"		82953		S	S 1002	420	30'-0"	34218		S	S 1003	36	14'-0"	2169	S	S 1101	180	21'-0"	20083	S		S 1102	72	30'-0"	11476	S			A 516	24	5'-6"	138	S				P 1104	220	44'-0"	51430	S				S 801	888	4'-4"	10274	S			S 802	592	6'-0"	9484	S		S 803	592	6'-6"	10274	S	S 901	480	30'-0"	48960	S		S 1001	918	21'-0"	82953	S			A 517	12	19'-5"	243	S				P 1105	1144	17'-0"	103327	S				S 1002	420	30'-0"	34218	S			S 1003	36	14'-0"	2169	S		S 1101	180	21'-0"	20083	S	S 1102	72	30'-0"	11476	S		S 1101	180	21'-0"	20083	S			A 518	8	8'-7"	72	B				P 1106	1144	13'-3"	80534	S				S 1102	72	30'-0"	11476	S			S 1101	180	21'-0"	20083	S		S 1102	72	30'-0"	11476	S	S 1101	180	21'-0"	20083	S		S 1102	72	30'-0"	11476	S			A 519	4	8'-11"	37	B				P 1107	104	13'-0"	7183	S				S 1101	180	21'-0"	20083	S			S 1102	72	30'-0"	11476	S		S 1101	180	21'-0"	20083	S	S 1102	72	30'-0"	11476	S		S 1101	180	21'-0"	20083	S			A 520	4	10'-1"	42	B				P 1108	104	15'-9"	8703	S				S 1102	72	30'-0"	11476	S			S 1101	180	21'-0"	20083	S		S 1102	72	30'-0"	11476	S	S 1101	180	21'-0"	20083	S		S 1102	72	30'-0"	11476	S			A 521	4	11'-1"	46	B				P 1109	104	18'-0"	9946	S				S 1101	180	21'-0"	20083	S			S 1102	72	30'-0"	11476	S		S 1101	180	21'-0"	20083	S	S 1102	72	30'-0"	11476	S		S 1101	180	21'-0"	20083	S			A 522	12	4'-7"	57	B				P 1110	104	20'-3"	11189	S				S 1102	72	30'-0"	11476	S			S 1101	180	21'-0"	20083	S		S 1102	72	30'-0"	11476	S	S 1101	180	21'-0"	20083	S		S 1102	72	30'-0"	11476	S			A 523	16	5'-11"	99	B				P 1111	176	22'-6"	21039	S				S 1101	180	21'-0"	20083	S			S 1102	72	30'-0"	11476	S		S 1101	180	21'-0"	20083	S	S 1102	72	30'-0"	11476	S		S 1101	180	21'-0"	20083	S			A 524	12	6'-5"	90	B				P 1112	104	25'-2"	13908	S				S 1102	72	30'-0"	11476	S			S 1101	180	21'-0"	20083	S		S 1102	72	30'-0"	11476	S	S 1101	180	21'-0"	20083	S		S 1102	72	30'-0"	11476	S			A 525	16	6'-9"	113	B				P 1113	176	25'-6"	23845	S				S 1101	180	21'-0"	20083	S			S 1102	72	30'-0"	11476	S		S 1101	180	21'-0"	20083	S	S 1102	72	30'-0"	11476	S		S 1101	180	21'-0"	20083	S			A 526	24	17'-1"	428	S				P 1114	176	26'-6"	24780	S				S 1102	72	30'-0"	11476	S			S 1101	180	21'-0"	20083	S		S 1102	72	30'-0"	11476	S	S 1101	180	21'-0"	20083	S		S 1102	72	30'-0"	11476	S			A 527	4	12'-6"	52	S				P 1115	104	27'-1"	14963	S				S 1101	180	21'-0"	20083	S			S 1102	72	30'-0"	11476	S		S 1101	180	21'-0"	20083	S	S 1102	72	30'-0"	11476	S		S 1101	180	21'-0"	20083	S			A 528	48	6'-11"	346	B				P 1116	104	27'-9"	15333	S				S 1102	72	30'-0"	11476	S			S 1101	180	21'-0"	20083	S		S 1102	72	30'-0"	11476	S	S 1101	180	21'-0"	20083	S		S 1102	72	30'-0"	11476	S			A 529	16	17'-1"	*	S				P 1117	2024	32'-0"	344112	S				S 1101	180	21'-0"	20083	S			S 1102	72	30'-0"	11476	S		S 1101	180	21'-0"	20083	S	S 1102	72	30'-0"	11476	S		S 1101	180	21'-0"	20083	S			A 601	36	13'-2"	1899	B				P 1118	88	29'-6"	13793	S				S 1102	72	30'-0"	11476	S			S 1101	180	21'-0"	20083	S		S 1102	72	30'-0"	11476	S	S 1101	180	21'-0"	20083	S		S 1102	72	30'-0"	11476	S			A 602	8	21'-1"	253	B				P 1119	176	28'-6"	26650	S				S 1101	180	21'-0"	20083	S			S 1102	72	30'-0"	11476	S		S 1101	180	21'-0"	20083	S	S 1102	72	30'-0"	11476	S		S 1101	180	21'-0"	20083	S			A 603	60	19'-6"	1797	B				P 1120	192	26'-2"	26693	S				S 1102	72	30'-0"	11476	S			S 1101	180	21'-0"	20083	S		S 1102	72	30'-0"	11476	S	S 1101	180	21'-0"	20083	S		S 1102	72	30'-0"	11476	S			A 604	60	18'-11"	1705	B				P 1121	88	25'-0"	11689	S				S 1101	180	21'-0"	20083	S			S 1102	72	30'-0"	11476	S		S 1101	180	21'-0"	20083	S	S 1102	72	30'-0"	11476	S		S 1101	180	21'-0"	20083	S			A 605	32	9'-4"	449	B				P 1122	264	24'-6"	34364	S				S 1102	72	30'-0"	11476	S			S 1101	180	21'-0"	20083	S		S 1102	72	30'-0"	11476	S	S 1101	180	21'-0"	20083	S		S 1102	72	30'-0"	11476	S			A 606	44	5'-4"	352	B																																																																																																																																										
S 515	864	11'-9"	10588	B		S 516	144	4'-8"	701	S			A 508	8	2'-10"	24	B				P 508	880	6'-5"	5890	B				S 517	48	6'-1"	305	B				S 518	64	3'-9"	250	B			S 519	132	8'-7"	1719	B		S 520	128	6'-6"	868	B	S 521	64	11'-10"	790	B		A 509	16	7'-9"	129	S			P 601	176	15'-1"	3987	B				S 522	64	5'-11"	335	B				S 601	2879	35'-10"	154952	S				A 510	8	4'-5"	37			S		P 602	176		35'-4"		3340	S			S 602		2879	33'-10"		146304	S		S 603	2646		21'-0"	83460	S	S 604	36		14'-0"	757	S	S 605	576	35'-6"	30713	S	S 606	32	16'-6"	745	S		A 511	12	7'-11"	99	S			P 603	88	32'-3"	4263	S				S 607	8	3'-3"	39	S				S 608	492	6'-0"	4434	S			S 609	2116	10'-0"	31782	S		S 610	3744	37'-6"	210881	S	S 611	420	13'-10"	8727	S		A 512	24	3'-10"	96	S			P 1001	220	24'-0"	22720	S				S 612	2304	32'-0"	110739	S				S 701	2849	35'-10"	208670	S				A 513	48	9'-4"	487			S		P 1101	220		38'-10"		45391	B			S 702		2849	33'-10"		197023	S		S 801	888		4'-4"	10274	S		A 514		12	13'-2"	165		S		P 1102	220		32'-10"		38377	B			S 802		592	6'-0"		9484	S		S 803	592	6'-6"		10274	S	S 901	480	30'-0"		48960	S		A 515	12	9'-0"	113		S		P 1103	528	20'-0"		56105		S		S 1001	918		21'-0"		82953		S	S 1002	420	30'-0"		34218		S	S 1003	36	14'-0"	2169		S	S 1101	180	21'-0"	20083	S	S 1102	72	30'-0"	11476	S		A 516	24	5'-6"	138	S			P 1104	220	44'-0"	51430	S				S 801	888	4'-4"	10274	S				S 802	592	6'-0"	9484	S			S 803	592	6'-6"	10274	S		S 901	480	30'-0"	48960	S	S 1001	918	21'-0"	82953	S		A 517	12	19'-5"	243	S			P 1105	1144	17'-0"	103327	S				S 1002	420	30'-0"	34218	S				S 1003	36	14'-0"	2169	S			S 1101	180	21'-0"	20083	S		S 1102	72	30'-0"	11476	S	S 1101	180	21'-0"	20083	S		A 518	8	8'-7"	72	B			P 1106	1144	13'-3"	80534	S				S 1102	72	30'-0"	11476	S				S 1101	180	21'-0"	20083	S			S 1102	72	30'-0"	11476	S		S 1101	180	21'-0"	20083	S	S 1102	72	30'-0"	11476	S		A 519	4	8'-11"	37	B			P 1107	104	13'-0"	7183	S				S 1101	180	21'-0"	20083	S				S 1102	72	30'-0"	11476	S			S 1101	180	21'-0"	20083	S		S 1102	72	30'-0"	11476	S	S 1101	180	21'-0"	20083	S		A 520	4	10'-1"	42	B			P 1108	104	15'-9"	8703	S				S 1102	72	30'-0"	11476	S				S 1101	180	21'-0"	20083	S			S 1102	72	30'-0"	11476	S		S 1101	180	21'-0"	20083	S	S 1102	72	30'-0"	11476	S		A 521	4	11'-1"	46	B			P 1109	104	18'-0"	9946	S				S 1101	180	21'-0"	20083	S				S 1102	72	30'-0"	11476	S			S 1101	180	21'-0"	20083	S		S 1102	72	30'-0"	11476	S	S 1101	180	21'-0"	20083	S		A 522	12	4'-7"	57	B			P 1110	104	20'-3"	11189	S				S 1102	72	30'-0"	11476	S				S 1101	180	21'-0"	20083	S			S 1102	72	30'-0"	11476	S		S 1101	180	21'-0"	20083	S	S 1102	72	30'-0"	11476	S		A 523	16	5'-11"	99	B			P 1111	176	22'-6"	21039	S				S 1101	180	21'-0"	20083	S				S 1102	72	30'-0"	11476	S			S 1101	180	21'-0"	20083	S		S 1102	72	30'-0"	11476	S	S 1101	180	21'-0"	20083	S		A 524	12	6'-5"	90	B			P 1112	104	25'-2"	13908	S				S 1102	72	30'-0"	11476	S				S 1101	180	21'-0"	20083	S			S 1102	72	30'-0"	11476	S		S 1101	180	21'-0"	20083	S	S 1102	72	30'-0"	11476	S		A 525	16	6'-9"	113	B			P 1113	176	25'-6"	23845	S				S 1101	180	21'-0"	20083	S				S 1102	72	30'-0"	11476	S			S 1101	180	21'-0"	20083	S		S 1102	72	30'-0"	11476	S	S 1101	180	21'-0"	20083	S		A 526	24	17'-1"	428	S			P 1114	176	26'-6"	24780	S				S 1102	72	30'-0"	11476	S				S 1101	180	21'-0"	20083	S			S 1102	72	30'-0"	11476	S		S 1101	180	21'-0"	20083	S	S 1102	72	30'-0"	11476	S		A 527	4	12'-6"	52	S			P 1115	104	27'-1"	14963	S				S 1101	180	21'-0"	20083	S				S 1102	72	30'-0"	11476	S			S 1101	180	21'-0"	20083	S		S 1102	72	30'-0"	11476	S	S 1101	180	21'-0"	20083	S		A 528	48	6'-11"	346	B			P 1116	104	27'-9"	15333	S				S 1102	72	30'-0"	11476	S				S 1101	180	21'-0"	20083	S			S 1102	72	30'-0"	11476	S		S 1101	180	21'-0"	20083	S	S 1102	72	30'-0"	11476	S		A 529	16	17'-1"	*	S			P 1117	2024	32'-0"	344112	S				S 1101	180	21'-0"	20083	S				S 1102	72	30'-0"	11476	S			S 1101	180	21'-0"	20083	S		S 1102	72	30'-0"	11476	S	S 1101	180	21'-0"	20083	S		A 601	36	13'-2"	1899	B			P 1118	88	29'-6"	13793	S				S 1102	72	30'-0"	11476	S				S 1101	180	21'-0"	20083	S			S 1102	72	30'-0"	11476	S		S 1101	180	21'-0"	20083	S	S 1102	72	30'-0"	11476	S		A 602	8	21'-1"	253	B			P 1119	176	28'-6"	26650	S				S 1101	180	21'-0"	20083	S				S 1102	72	30'-0"	11476	S			S 1101	180	21'-0"	20083	S		S 1102	72	30'-0"	11476	S	S 1101	180	21'-0"	20083	S		A 603	60	19'-6"	1797	B			P 1120	192	26'-2"	26693	S				S 1102	72	30'-0"	11476	S				S 1101	180	21'-0"	20083	S			S 1102	72	30'-0"	11476	S		S 1101	180	21'-0"	20083	S	S 1102	72	30'-0"	11476	S		A 604	60	18'-11"	1705	B			P 1121	88	25'-0"	11689	S				S 1101	180	21'-0"	20083	S				S 1102	72	30'-0"	11476	S			S 1101	180	21'-0"	20083	S		S 1102	72	30'-0"	11476	S	S 1101	180	21'-0"	20083	S		A 605	32	9'-4"	449	B			P 1122	264	24'-6"	34364	S				S 1102	72	30'-0"	11476	S				S 1101	180	21'-0"	20083	S			S 1102	72	30'-0"	11476	S		S 1101	180	21'-0"	20083	S	S 1102	72	30'-0"	11476	S		A 606	44	5'-4"	352	B																																																																																																																																																	
S 516	144	4'-8"	701	S		A 508	8	2'-10"	24	B			P 508	880	6'-5"	5890	B																																																																																																																																																																																																																																																																																																																																																																																																																																																																																																																																																																																																																																																																																																																																																																																																																																																																																																																																																																																																																																																																																																																																																																																																																																																																																																																																																																																																																
S 517	48	6'-1"	305	B		S 518	64	3'-9"	250	B			S 519	132	8'-7"	1719	B				S 520	128	6'-6"	868	B				S 521	64	11'-10"	790	B				A 509	16	7'-9"	129	S			P 601	176	15'-1"	3987	B		S 522	64	5'-11"	335	B	S 601	2879	35'-10"	154952	S			A 510	8	4'-5"	37			S		P 602	176	35'-4"				3340	S		S 602	2879			33'-10"	146304	S	S 603	2646	21'-0"		83460		S	S 604	36	14'-0"	757		S		S 605	576		35'-6"		30713	S		S 606	32		16'-6"	745		S		A 511	12	7'-11"		99	S		P 603	88	32'-3"	4263	S		S 607	8	3'-3"	39	S	S 608	492	6'-0"	4434	S		S 609	2116	10'-0"	31782	S			S 610	3744	37'-6"	210881	S				S 611	420	13'-10"	8727	S				A 512	24	3'-10"	96	S			P 1001	220	24'-0"	22720	S		S 612	2304	32'-0"	110739	S	S 701	2849	35'-10"	208670	S			A 513	48	9'-4"	487			S		P 1101	220	38'-10"				45391	B		S 702	2849			33'-10"	197023	S	S 801	888	4'-4"		10274		S		A 514	12	13'-2"		165		S			P 1102		220	32'-10"		38377	B			S 802		592	6'-0"	9484	S	S 803		592	6'-6"	10274		S	S 901	480	30'-0"	48960		S			A 515		12		9'-0"	113		S			P 1103	528		20'-0"	56105	S		S 1001	918		21'-0"	82953	S	S 1002	420	30'-0"	34218	S		S 1003	36	14'-0"	2169		S		S 1101	180	21'-0"		20083		S		S 1102	72	30'-0"	11476		S			A 516	24	5'-6"	138	S			P 1104	220	44'-0"	51430	S		S 801	888	4'-4"	10274	S	S 802	592	6'-0"	9484	S		S 803	592	6'-6"	10274	S			S 901	480	30'-0"	48960	S				S 1001	918	21'-0"	82953	S				A 517	12	19'-5"	243	S			P 1105	1144	17'-0"	103327	S		S 1002	420	30'-0"	34218	S	S 1003	36	14'-0"	2169	S		S 1101	180	21'-0"	20083	S			S 1102	72	30'-0"	11476	S				S 1101	180	21'-0"	20083	S				A 518	8	8'-7"	72	B			P 1106	1144	13'-3"	80534	S		S 1102	72	30'-0"	11476	S	S 1101	180	21'-0"	20083	S		S 1102	72	30'-0"	11476	S			S 1101	180	21'-0"	20083	S				S 1102	72	30'-0"	11476	S				A 519	4	8'-11"	37	B			P 1107	104	13'-0"	7183	S		S 1101	180	21'-0"	20083	S	S 1102	72	30'-0"	11476	S		S 1101	180	21'-0"	20083	S			S 1102	72	30'-0"	11476	S				S 1101	180	21'-0"	20083	S				A 520	4	10'-1"	42	B			P 1108	104	15'-9"	8703	S		S 1102	72	30'-0"	11476	S	S 1101	180	21'-0"	20083	S		S 1102	72	30'-0"	11476	S			S 1101	180	21'-0"	20083	S				S 1102	72	30'-0"	11476	S				A 521	4	11'-1"	46	B			P 1109	104	18'-0"	9946	S		S 1101	180	21'-0"	20083	S	S 1102	72	30'-0"	11476	S		S 1101	180	21'-0"	20083	S			S 1102	72	30'-0"	11476	S				S 1101	180	21'-0"	20083	S				A 522	12	4'-7"	57	B			P 1110	104	20'-3"	11189	S		S 1102	72	30'-0"	11476	S	S 1101	180	21'-0"	20083	S		S 1102	72	30'-0"	11476	S			S 1101	180	21'-0"	20083	S				S 1102	72	30'-0"	11476	S				A 523	16	5'-11"	99	B			P 1111	176	22'-6"	21039	S		S 1101	180	21'-0"	20083	S	S 1102	72	30'-0"	11476	S		S 1101	180	21'-0"	20083	S			S 1102	72	30'-0"	11476	S				S 1101	180	21'-0"	20083	S				A 524	12	6'-5"	90	B			P 1112	104	25'-2"	13908	S		S 1102	72	30'-0"	11476	S	S 1101	180	21'-0"	20083	S		S 1102	72	30'-0"	11476	S			S 1101	180	21'-0"	20083	S				S 1102	72	30'-0"	11476	S				A 525	16	6'-9"	113	B			P 1113	176	25'-6"	23845	S		S 1101	180	21'-0"	20083	S	S 1102	72	30'-0"	11476	S		S 1101	180	21'-0"	20083	S			S 1102	72	30'-0"	11476	S				S 1101	180	21'-0"	20083	S				A 526	24	17'-1"	428	S			P 1114	176	26'-6"	24780	S		S 1102	72	30'-0"	11476	S	S 1101	180	21'-0"	20083	S		S 1102	72	30'-0"	11476	S			S 1101	180	21'-0"	20083	S				S 1102	72	30'-0"	11476	S				A 527	4	12'-6"	52	S			P 1115	104	27'-1"	14963	S		S 1101	180	21'-0"	20083	S	S 1102	72	30'-0"	11476	S		S 1101	180	21'-0"	20083	S			S 1102	72	30'-0"	11476	S				S 1101	180	21'-0"	20083	S				A 528	48	6'-11"	346	B			P 1116	104	27'-9"	15333	S		S 1102	72	30'-0"	11476	S	S 1101	180	21'-0"	20083	S		S 1102	72	30'-0"	11476	S			S 1101	180	21'-0"	20083	S				S 1102	72	30'-0"	11476	S				A 529	16	17'-1"	*	S			P 1117	2024	32'-0"	344112	S		S 1101	180	21'-0"	20083	S	S 1102	72	30'-0"	11476	S		S 1101	180	21'-0"	20083	S			S 1102	72	30'-0"	11476	S				S 1101	180	21'-0"	20083	S				A 601	36	13'-2"	1899	B			P 1118	88	29'-6"	13793	S		S 1102	72	30'-0"	11476	S	S 1101	180	21'-0"	20083	S		S 1102	72	30'-0"	11476	S			S 1101	180	21'-0"	20083	S				S 1102	72	30'-0"	11476	S				A 602	8	21'-1"	253	B			P 1119	176	28'-6"	26650	S		S 1101	180	21'-0"	20083	S	S 1102	72	30'-0"	11476	S		S 1101	180	21'-0"	20083	S			S 1102	72	30'-0"	11476	S				S 1101	180	21'-0"	20083	S				A 603	60	19'-6"	1797	B			P 1120	192	26'-2"	26693	S		S 1102	72	30'-0"	11476	S	S 1101	180	21'-0"	20083	S		S 1102	72	30'-0"	11476	S			S 1101	180	21'-0"	20083	S				S 1102	72	30'-0"	11476	S				A 604	60	18'-11"	1705	B			P 1121	88	25'-0"	11689	S		S 1101	180	21'-0"	20083	S	S 1102	72	30'-0"	11476	S		S 1101	180	21'-0"	20083	S			S 1102	72	30'-0"	11476	S				S 1101	180	21'-0"	20083	S				A 605	32	9'-4"	449	B			P 1122	264	24'-6"	34364	S		S 1102	72	30'-0"	11476	S	S 1101	180	21'-0"	20083	S		S 1102	72	30'-0"	11476	S			S 1101	180	21'-0"	20083	S				S 1102	72	30'-0"	11476	S				A 606	44	5'-4"	352	B																																																																																																																																																																									
S 518	64	3'-9"	250	B		S 519	132	8'-7"	1719	B			S 520	128	6'-6"	868	B				S 521	64	11'-10"	790	B				A 509	16	7'-9"	129	S				P 601	176	15'-1"	3987	B			S 522	64	5'-11"	335	B		S 601	2879	35'-10"	154952	S		A 510	8	4'-5"	37			S		P 602	176			35'-4"		3340	S			S 602		2879	33'-10"		146304	S		S 603	2646	21'-0"	83460	S	S 604	36	14'-0"	757		S	S 605	576	35'-6"	30713		S		S 606	32	16'-6"	745		S			A 511	12	7'-11"	99	S				P 603	88	32'-3"	4263	S			S 607	8	3'-3"	39	S		S 608	492	6'-0"	4434	S	S 609	2116	10'-0"	31782	S		S 610	3744	37'-6"	210881	S			S 611	420	13'-10"	8727	S				A 512	24	3'-10"	96	S				P 1001	220	24'-0"	22720	S			S 612	2304	32'-0"	110739	S		S 701	2849	35'-10"	208670	S		A 513	48	9'-4"	487			S		P 1101	220			38'-10"		45391	B			S 702		2849	33'-10"		197023	S		S 801	888	4'-4"	10274	S		A 514	12	13'-2"		165		S		P 1102		220		32'-10"		38377	B			S 802		592	6'-0"	9484		S		S 803	592	6'-6"	10274	S	S 901	480	30'-0"	48960		S		A 515	12	9'-0"		113			S		P 1103		528	20'-0"		56105		S		S 1001		918	21'-0"	82953		S	S 1002	420	30'-0"	34218	S	S 1003	36	14'-0"	2169	S		S 1101	180	21'-0"	20083		S		S 1102	72	30'-0"	11476	S				A 516	24	5'-6"	138	S				P 1104	220	44'-0"	51430	S			S 801	888	4'-4"	10274	S		S 802	592	6'-0"	9484	S	S 803	592	6'-6"	10274	S		S 901	480	30'-0"	48960	S			S 1001	918	21'-0"	82953	S				A 517	12	19'-5"	243	S				P 1105	1144	17'-0"	103327	S			S 1002	420	30'-0"	34218	S		S 1003	36	14'-0"	2169	S	S 1101	180	21'-0"	20083	S		S 1102	72	30'-0"	11476	S			S 1101	180	21'-0"	20083	S				A 518	8	8'-7"	72	B				P 1106	1144	13'-3"	80534	S			S 1102	72	30'-0"	11476	S		S 1101	180	21'-0"	20083	S	S 1102	72	30'-0"	11476	S		S 1101	180	21'-0"	20083	S			S 1102	72	30'-0"	11476	S				A 519	4	8'-11"	37	B				P 1107	104	13'-0"	7183	S			S 1101	180	21'-0"	20083	S		S 1102	72	30'-0"	11476	S	S 1101	180	21'-0"	20083	S		S 1102	72	30'-0"	11476	S			S 1101	180	21'-0"	20083	S				A 520	4	10'-1"	42	B				P 1108	104	15'-9"	8703	S			S 1102	72	30'-0"	11476	S		S 1101	180	21'-0"	20083	S	S 1102	72	30'-0"	11476	S		S 1101	180	21'-0"	20083	S			S 1102	72	30'-0"	11476	S				A 521	4	11'-1"	46	B				P 1109	104	18'-0"	9946	S			S 1101	180	21'-0"	20083	S		S 1102	72	30'-0"	11476	S	S 1101	180	21'-0"	20083	S		S 1102	72	30'-0"	11476	S			S 1101	180	21'-0"	20083	S				A 522	12	4'-7"	57	B				P 1110	104	20'-3"	11189	S			S 1102	72	30'-0"	11476	S		S 1101	180	21'-0"	20083	S	S 1102	72	30'-0"	11476	S		S 1101	180	21'-0"	20083	S			S 1102	72	30'-0"	11476	S				A 523	16	5'-11"	99	B				P 1111	176	22'-6"	21039	S			S 1101	180	21'-0"	20083	S		S 1102	72	30'-0"	11476	S	S 1101	180	21'-0"	20083	S		S 1102	72	30'-0"	11476	S			S 1101	180	21'-0"	20083	S				A 524	12	6'-5"	90	B				P 1112	104	25'-2"	13908	S			S 1102	72	30'-0"	11476	S		S 1101	180	21'-0"	20083	S	S 1102	72	30'-0"	11476	S		S 1101	180	21'-0"	20083	S			S 1102	72	30'-0"	11476	S				A 525	16	6'-9"	113	B				P 1113	176	25'-6"	23845	S			S 1101	180	21'-0"	20083	S		S 1102	72	30'-0"	11476	S	S 1101	180	21'-0"	20083	S		S 1102	72	30'-0"	11476	S			S 1101	180	21'-0"	20083	S				A 526	24	17'-1"	428	S				P 1114	176	26'-6"	24780	S			S 1102	72	30'-0"	11476	S		S 1101	180	21'-0"	20083	S	S 1102	72	30'-0"	11476	S		S 1101	180	21'-0"	20083	S			S 1102	72	30'-0"	11476	S				A 527	4	12'-6"	52	S				P 1115	104	27'-1"	14963	S			S 1101	180	21'-0"	20083	S		S 1102	72	30'-0"	11476	S	S 1101	180	21'-0"	20083	S		S 1102	72	30'-0"	11476	S			S 1101	180	21'-0"	20083	S				A 528	48	6'-11"	346	B				P 1116	104	27'-9"	15333	S			S 1102	72	30'-0"	11476	S		S 1101	180	21'-0"	20083	S	S 1102	72	30'-0"	11476	S		S 1101	180	21'-0"	20083	S			S 1102	72	30'-0"	11476	S				A 529	16	17'-1"	*	S				P 1117	2024	32'-0"	344112	S			S 1101	180	21'-0"	20083	S		S 1102	72	30'-0"	11476	S	S 1101	180	21'-0"	20083	S		S 1102	72	30'-0"	11476	S			S 1101	180	21'-0"	20083	S				A 601	36	13'-2"	1899	B				P 1118	88	29'-6"	13793	S			S 1102	72	30'-0"	11476	S		S 1101	180	21'-0"	20083	S	S 1102	72	30'-0"	11476	S		S 1101	180	21'-0"	20083	S			S 1102	72	30'-0"	11476	S				A 602	8	21'-1"	253	B				P 1119	176	28'-6"	26650	S			S 1101	180	21'-0"	20083	S		S 1102	72	30'-0"	11476	S	S 1101	180	21'-0"	20083	S		S 1102	72	30'-0"	11476	S			S 1101	180	21'-0"	20083	S				A 603	60	19'-6"	1797	B				P 1120	192	26'-2"	26693	S			S 1102	72	30'-0"	11476	S		S 1101	180	21'-0"	20083	S	S 1102	72	30'-0"	11476	S		S 1101	180	21'-0"	20083	S			S 1102	72	30'-0"	11476	S				A 604	60	18'-11"	1705	B				P 1121	88	25'-0"	11689	S			S 1101	180	21'-0"	20083	S		S 1102	72	30'-0"	11476	S	S 1101	180	21'-0"	20083	S		S 1102	72	30'-0"	11476	S			S 1101	180	21'-0"	20083	S				A 605	32	9'-4"	449	B				P 1122	264	24'-6"	34364	S			S 1102	72	30'-0"	11476	S		S 1101	180	21'-0"	20083	S	S 1102	72	30'-0"	11476	S		S 1101	180	21'-0"	20083	S			S 1102	72	30'-0"	11476	S				A 606	44	5'-4"	352	B																																																																																																																																																																																	
S 519	132	8'-7"	1719	B		S 520	128	6'-6"	868	B			S 521	64	11'-10"	790	B				A 509	16	7'-9"	129	S				P 601	176	15'-1"	3987	B				S 522	64	5'-11"	335	B			S 601	2879	35'-10"	154952	S			A 510	8	4'-5"	37		S		P 602	176			35'-4"		3340	S			S 602		2879	33'-10"		146304	S		S 603	2646		21'-0"	83460	S	S 604	36	14'-0"	757	S	S 605	576	35'-6"	30713		S	S 606	32	16'-6"	745	S			A 511	12	7'-11"	99	S				P 603	88	32'-3"	4263	S				S 607	8	3'-3"	39	S			S 608	492	6'-0"	4434	S		S 609	2116	10'-0"	31782	S	S 610	3744	37'-6"	210881	S		S 611	420	13'-10"	8727	S			A 512	24	3'-10"	96	S				P 1001	220	24'-0"	22720	S				S 612	2304	32'-0"	110739	S			S 701	2849	35'-10"	208670	S			A 513	48	9'-4"	487		S		P 1101	220			38'-10"		45391	B			S 702		2849	33'-10"		197023	S		S 801	888		4'-4"	10274	S		A 514	12	13'-2"	165		S		P 1102		220		32'-10"		38377	B			S 802		592	6'-0"	9484		S		S 803	592	6'-6"		10274	S	S 901	480	30'-0"	48960	S		A 515	12	9'-0"		113		S		P 1103	528	20'-0"			56105		S		S 1001	918		21'-0"		82953		S	S 1002	420	30'-0"	34218		S	S 1003	36	14'-0"	2169	S	S 1101	180	21'-0"	20083	S		S 1102	72	30'-0"	11476	S			A 516	24	5'-6"	138	S				P 1104	220	44'-0"	51430	S				S 801	888	4'-4"	10274	S			S 802	592	6'-0"	9484	S		S 803	592	6'-6"	10274	S	S 901	480	30'-0"	48960	S		S 1001	918	21'-0"	82953	S			A 517	12	19'-5"	243	S				P 1105	1144	17'-0"	103327	S				S 1002	420	30'-0"	34218	S			S 1003	36	14'-0"	2169	S		S 1101	180	21'-0"	20083	S	S 1102	72	30'-0"	11476	S		S 1101	180	21'-0"	20083	S			A 518	8	8'-7"	72	B				P 1106	1144	13'-3"	80534	S				S 1102	72	30'-0"	11476	S			S 1101	180	21'-0"	20083	S		S 1102	72	30'-0"	11476	S	S 1101	180	21'-0"	20083	S		S 1102	72	30'-0"	11476	S			A 519	4	8'-11"	37	B				P 1107	104	13'-0"	7183	S				S 1101	180	21'-0"	20083	S			S 1102	72	30'-0"	11476	S		S 1101	180	21'-0"	20083	S	S 1102	72	30'-0"	11476	S		S 1101	180	21'-0"	20083	S			A 520	4	10'-1"	42	B				P 1108	104	15'-9"	8703	S				S 1102	72	30'-0"	11476	S			S 1101	180	21'-0"	20083	S		S 1102	72	30'-0"	11476	S	S 1101	180	21'-0"	20083	S		S 1102	72	30'-0"	11476	S			A 521	4	11'-1"	46	B				P 1109	104	18'-0"	9946	S				S 1101	180	21'-0"	20083	S			S 1102	72	30'-0"	11476	S		S 1101	180	21'-0"	20083	S	S 1102	72	30'-0"	11476	S		S 1101	180	21'-0"	20083	S			A 522	12	4'-7"	57	B				P 1110	104	20'-3"	11189	S				S 1102	72	30'-0"	11476	S			S 1101	180	21'-0"	20083	S		S 1102	72	30'-0"	11476	S	S 1101	180	21'-0"	20083	S		S 1102	72	30'-0"	11476	S			A 523	16	5'-11"	99	B				P 1111	176	22'-6"	21039	S				S 1101	180	21'-0"	20083	S			S 1102	72	30'-0"	11476	S		S 1101	180	21'-0"	20083	S	S 1102	72	30'-0"	11476	S		S 1101	180	21'-0"	20083	S			A 524	12	6'-5"	90	B				P 1112	104	25'-2"	13908	S				S 1102	72	30'-0"	11476	S			S 1101	180	21'-0"	20083	S		S 1102	72	30'-0"	11476	S	S 1101	180	21'-0"	20083	S		S 1102	72	30'-0"	11476	S			A 525	16	6'-9"	113	B				P 1113	176	25'-6"	23845	S				S 1101	180	21'-0"	20083	S			S 1102	72	30'-0"	11476	S		S 1101	180	21'-0"	20083	S	S 1102	72	30'-0"	11476	S		S 1101	180	21'-0"	20083	S			A 526	24	17'-1"	428	S				P 1114	176	26'-6"	24780	S				S 1102	72	30'-0"	11476	S			S 1101	180	21'-0"	20083	S		S 1102	72	30'-0"	11476	S	S 1101	180	21'-0"	20083	S		S 1102	72	30'-0"	11476	S			A 527	4	12'-6"	52	S				P 1115	104	27'-1"	14963	S				S 1101	180	21'-0"	20083	S			S 1102	72	30'-0"	11476	S		S 1101	180	21'-0"	20083	S	S 1102	72	30'-0"	11476	S		S 1101	180	21'-0"	20083	S			A 528	48	6'-11"	346	B				P 1116	104	27'-9"	15333	S				S 1102	72	30'-0"	11476	S			S 1101	180	21'-0"	20083	S		S 1102	72	30'-0"	11476	S	S 1101	180	21'-0"	20083	S		S 1102	72	30'-0"	11476	S			A 529	16	17'-1"	*	S				P 1117	2024	32'-0"	344112	S				S 1101	180	21'-0"	20083	S			S 1102	72	30'-0"	11476	S		S 1101	180	21'-0"	20083	S	S 1102	72	30'-0"	11476	S		S 1101	180	21'-0"	20083	S			A 601	36	13'-2"	1899	B				P 1118	88	29'-6"	13793	S				S 1102	72	30'-0"	11476	S			S 1101	180	21'-0"	20083	S		S 1102	72	30'-0"	11476	S	S 1101	180	21'-0"	20083	S		S 1102	72	30'-0"	11476	S			A 602	8	21'-1"	253	B				P 1119	176	28'-6"	26650	S				S 1101	180	21'-0"	20083	S			S 1102	72	30'-0"	11476	S		S 1101	180	21'-0"	20083	S	S 1102	72	30'-0"	11476	S		S 1101	180	21'-0"	20083	S			A 603	60	19'-6"	1797	B				P 1120	192	26'-2"	26693	S				S 1102	72	30'-0"	11476	S			S 1101	180	21'-0"	20083	S		S 1102	72	30'-0"	11476	S	S 1101	180	21'-0"	20083	S		S 1102	72	30'-0"	11476	S			A 604	60	18'-11"	1705	B				P 1121	88	25'-0"	11689	S				S 1101	180	21'-0"	20083	S			S 1102	72	30'-0"	11476	S		S 1101	180	21'-0"	20083	S	S 1102	72	30'-0"	11476	S		S 1101	180	21'-0"	20083	S			A 605	32	9'-4"	449	B				P 1122	264	24'-6"	34364	S				S 1102	72	30'-0"	11476	S			S 1101	180	21'-0"	20083	S		S 1102	72	30'-0"	11476	S	S 1101	180	21'-0"	20083	S		S 1102	72	30'-0"	11476	S			A 606	44	5'-4"	352	B																																																																																																																																																																																									
S 520	128	6'-6"	868	B		S 521	64	11'-10"	790	B			A 509	16	7'-9"	129	S				P 601	176	15'-1"	3987	B				S 522	64	5'-11"	335	B				S 601	2879	35'-10"	154952	S				A 510	8	4'-5"	37			S		P 602	176		35'-4"		3340	S			S 602		2879	33'-10"		146304	S		S 603	2646		21'-0"	83460	S	S 604	36		14'-0"	757	S	S 605	576	35'-6"	30713	S	S 606	32	16'-6"	745	S		A 511	12	7'-11"	99	S			P 603	88	32'-3"	4263	S				S 607	8	3'-3"	39	S				S 608	492	6'-0"	4434	S			S 609	2116	10'-0"	31782	S		S 610	3744	37'-6"	210881	S	S 611	420	13'-10"	8727	S		A 512	24	3'-10"	96	S			P 1001	220	24'-0"	22720	S				S 612	2304	32'-0"	110739	S				S 701	2849	35'-10"	208670	S				A 513	48	9'-4"	487			S		P 1101	220		38'-10"		45391	B			S 702		2849	33'-10"		197023	S		S 801	888		4'-4"	10274	S		A 514		12	13'-2"	165		S		P 1102	220		32'-10"		38377	B			S 802		592	6'-0"		9484	S		S 803	592	6'-6"		10274	S	S 901	480	30'-0"		48960	S		A 515	12	9'-0"	113		S		P 1103	528	20'-0"		56105		S		S 1001	918		21'-0"		82953		S	S 1002	420	30'-0"		34218		S	S 1003	36	14'-0"	2169		S	S 1101	180	21'-0"	20083	S	S 1102	72	30'-0"	11476	S		A 516	24	5'-6"	138	S			P 1104	220	44'-0"	51430	S				S 801	888	4'-4"	10274	S				S 802	592	6'-0"	9484	S			S 803	592	6'-6"	10274	S		S 901	480	30'-0"	48960	S	S 1001	918	21'-0"	82953	S		A 517	12	19'-5"	243	S			P 1105	1144	17'-0"	103327	S				S 1002	420	30'-0"	34218	S				S 1003	36	14'-0"	2169	S			S 1101	180	21'-0"	20083	S		S 1102	72	30'-0"	11476	S	S 1101	180	21'-0"	20083	S		A 518	8	8'-7"	72	B			P 1106	1144	13'-3"	80534	S				S 1102	72	30'-0"	11476	S				S 1101	180	21'-0"	20083	S			S 1102	72	30'-0"	11476	S		S 1101	180	21'-0"	20083	S	S 1102	72	30'-0"	11476	S		A 519	4	8'-11"	37	B			P 1107	104	13'-0"	7183	S				S 1101	180	21'-0"	20083	S				S 1102	72	30'-0"	11476	S			S 1101	180	21'-0"	20083	S		S 1102	72	30'-0"	11476	S	S 1101	180	21'-0"	20083	S		A 520	4	10'-1"	42	B			P 1108	104	15'-9"	8703	S				S 1102	72	30'-0"	11476	S				S 1101	180	21'-0"	20083	S			S 1102	72	30'-0"	11476	S		S 1101	180	21'-0"	20083	S	S 1102	72	30'-0"	11476	S		A 521	4	11'-1"	46	B			P 1109	104	18'-0"	9946	S				S 1101	180	21'-0"	20083	S				S 1102	72	30'-0"	11476	S			S 1101	180	21'-0"	20083	S		S 1102	72	30'-0"	11476	S	S 1101	180	21'-0"	20083	S		A 522	12	4'-7"	57	B			P 1110	104	20'-3"	11189	S				S 1102	72	30'-0"	11476	S				S 1101	180	21'-0"	20083	S			S 1102	72	30'-0"	11476	S		S 1101	180	21'-0"	20083	S	S 1102	72	30'-0"	11476	S		A 523	16	5'-11"	99	B			P 1111	176	22'-6"	21039	S				S 1101	180	21'-0"	20083	S				S 1102	72	30'-0"	11476	S			S 1101	180	21'-0"	20083	S		S 1102	72	30'-0"	11476	S	S 1101	180	21'-0"	20083	S		A 524	12	6'-5"	90	B			P 1112	104	25'-2"	13908	S				S 1102	72	30'-0"	11476	S				S 1101	180	21'-0"	20083	S			S 1102	72	30'-0"	11476	S		S 1101	180	21'-0"	20083	S	S 1102	72	30'-0"	11476	S		A 525	16	6'-9"	113	B			P 1113	176	25'-6"	23845	S				S 1101	180	21'-0"	20083	S				S 1102	72	30'-0"	11476	S			S 1101	180	21'-0"	20083	S		S 1102	72	30'-0"	11476	S	S 1101	180	21'-0"	20083	S		A 526	24	17'-1"	428	S			P 1114	176	26'-6"	24780	S				S 1102	72	30'-0"	11476	S				S 1101	180	21'-0"	20083	S			S 1102	72	30'-0"	11476	S		S 1101	180	21'-0"	20083	S	S 1102	72	30'-0"	11476	S		A 527	4	12'-6"	52	S			P 1115	104	27'-1"	14963	S				S 1101	180	21'-0"	20083	S				S 1102	72	30'-0"	11476	S			S 1101	180	21'-0"	20083	S		S 1102	72	30'-0"	11476	S	S 1101	180	21'-0"	20083	S		A 528	48	6'-11"	346	B			P 1116	104	27'-9"	15333	S				S 1102	72	30'-0"	11476	S				S 1101	180	21'-0"	20083	S			S 1102	72	30'-0"	11476	S		S 1101	180	21'-0"	20083	S	S 1102	72	30'-0"	11476	S		A 529	16	17'-1"	*	S			P 1117	2024	32'-0"	344112	S				S 1101	180	21'-0"	20083	S				S 1102	72	30'-0"	11476	S			S 1101	180	21'-0"	20083	S		S 1102	72	30'-0"	11476	S	S 1101	180	21'-0"	20083	S		A 601	36	13'-2"	1899	B			P 1118	88	29'-6"	13793	S				S 1102	72	30'-0"	11476	S				S 1101	180	21'-0"	20083	S			S 1102	72	30'-0"	11476	S		S 1101	180	21'-0"	20083	S	S 1102	72	30'-0"	11476	S		A 602	8	21'-1"	253	B			P 1119	176	28'-6"	26650	S				S 1101	180	21'-0"	20083	S				S 1102	72	30'-0"	11476	S			S 1101	180	21'-0"	20083	S		S 1102	72	30'-0"	11476	S	S 1101	180	21'-0"	20083	S		A 603	60	19'-6"	1797	B			P 1120	192	26'-2"	26693	S				S 1102	72	30'-0"	11476	S				S 1101	180	21'-0"	20083	S			S 1102	72	30'-0"	11476	S		S 1101	180	21'-0"	20083	S	S 1102	72	30'-0"	11476	S		A 604	60	18'-11"	1705	B			P 1121	88	25'-0"	11689	S				S 1101	180	21'-0"	20083	S				S 1102	72	30'-0"	11476	S			S 1101	180	21'-0"	20083	S		S 1102	72	30'-0"	11476	S	S 1101	180	21'-0"	20083	S		A 605	32	9'-4"	449	B			P 1122	264	24'-6"	34364	S				S 1102	72	30'-0"	11476	S				S 1101	180	21'-0"	20083	S			S 1102	72	30'-0"	11476	S		S 1101	180	21'-0"	20083	S	S 1102	72	30'-0"	11476	S		A 606	44	5'-4"	352	B																																																																																																																																																																																																
S 521	64	11'-10"	790	B		A 509	16	7'-9"	129	S			P 601	176	15'-1"	3987	B																																																																																																																																																																																																																																																																																																																																																																																																																																																																																																																																																																																																																																																																																																																																																																																																																																																																																																																																																																																																																																																																																																																																																																																																																																																																																																																																																																																																																
S 522	64	5'-11"	335	B		S 601	2879	35'-10"	154952	S				A 510	8	4'-5"	37				S		P 602	176	35'-4"				3340	S		S 602	2879			33'-10"	146304	S	S 603	2646	21'-0"		83460		S	S 604	36	14'-0"	757		S		S 605	576		35'-6"		30713	S		S 606	32		16'-6"	745		S		A 511	12	7'-11"		99	S		P 603	88	32'-3"	4263	S		S 607	8	3'-3"	39	S	S 608	492	6'-0"	4434	S		S 609	2116	10'-0"	31782	S			S 610	3744	37'-6"	210881	S				S 611	420	13'-10"	8727	S				A 512	24	3'-10"	96	S			P 1001	220	24'-0"	22720	S		S 612	2304	32'-0"	110739	S	S 701	2849	35'-10"	208670	S			A 513	48	9'-4"	487			S		P 1101	220	38'-10"				45391	B		S 702	2849			33'-10"	197023	S	S 801	888	4'-4"		10274		S		A 514	12	13'-2"		165		S			P 1102		220	32'-10"		38377	B			S 802		592	6'-0"	9484	S	S 803		592	6'-6"	10274		S	S 901	480	30'-0"	48960		S			A 515		12		9'-0"	113		S			P 1103	528		20'-0"	56105	S		S 1001	918		21'-0"	82953	S	S 1002	420	30'-0"	34218	S		S 1003	36	14'-0"	2169		S		S 1101	180	21'-0"		20083		S		S 1102	72	30'-0"	11476		S			A 516	24	5'-6"	138	S			P 1104	220	44'-0"	51430	S		S 801	888	4'-4"	10274	S	S 802	592	6'-0"	9484	S		S 803	592	6'-6"	10274	S			S 901	480	30'-0"	48960	S				S 1001	918	21'-0"	82953	S				A 517	12	19'-5"	243	S			P 1105	1144	17'-0"	103327	S		S 1002	420	30'-0"	34218	S	S 1003	36	14'-0"	2169	S		S 1101	180	21'-0"	20083	S			S 1102	72	30'-0"	11476	S				S 1101	180	21'-0"	20083	S				A 518	8	8'-7"	72	B			P 1106	1144	13'-3"	80534	S		S 1102	72	30'-0"	11476	S	S 1101	180	21'-0"	20083	S		S 1102	72	30'-0"	11476	S			S 1101	180	21'-0"	20083	S				S 1102	72	30'-0"	11476	S				A 519	4	8'-11"	37	B			P 1107	104	13'-0"	7183	S		S 1101	180	21'-0"	20083	S	S 1102	72	30'-0"	11476	S		S 1101	180	21'-0"	20083	S			S 1102	72	30'-0"	11476	S				S 1101	180	21'-0"	20083	S				A 520	4	10'-1"	42	B			P 1108	104	15'-9"	8703	S		S 1102	72	30'-0"	11476	S	S 1101	180	21'-0"	20083	S		S 1102	72	30'-0"	11476	S			S 1101	180	21'-0"	20083	S				S 1102	72	30'-0"	11476	S				A 521	4	11'-1"	46	B			P 1109	104	18'-0"	9946	S		S 1101	180	21'-0"	20083	S	S 1102	72	30'-0"	11476	S		S 1101	180	21'-0"	20083	S			S 1102	72	30'-0"	11476	S				S 1101	180	21'-0"	20083	S				A 522	12	4'-7"	57	B			P 1110	104	20'-3"	11189	S		S 1102	72	30'-0"	11476	S	S 1101	180	21'-0"	20083	S		S 1102	72	30'-0"	11476	S			S 1101	180	21'-0"	20083	S				S 1102	72	30'-0"	11476	S				A 523	16	5'-11"	99	B			P 1111	176	22'-6"	21039	S		S 1101	180	21'-0"	20083	S	S 1102	72	30'-0"	11476	S		S 1101	180	21'-0"	20083	S			S 1102	72	30'-0"	11476	S				S 1101	180	21'-0"	20083	S				A 524	12	6'-5"	90	B			P 1112	104	25'-2"	13908	S		S 1102	72	30'-0"	11476	S	S 1101	180	21'-0"	20083	S		S 1102	72	30'-0"	11476	S			S 1101	180	21'-0"	20083	S				S 1102	72	30'-0"	11476	S				A 525	16	6'-9"	113	B			P 1113	176	25'-6"	23845	S		S 1101	180	21'-0"	20083	S	S 1102	72	30'-0"	11476	S		S 1101	180	21'-0"	20083	S			S 1102	72	30'-0"	11476	S				S 1101	180	21'-0"	20083	S				A 526	24	17'-1"	428	S			P 1114	176	26'-6"	24780	S		S 1102	72	30'-0"	11476	S	S 1101	180	21'-0"	20083	S		S 1102	72	30'-0"	11476	S			S 1101	180	21'-0"	20083	S				S 1102	72	30'-0"	11476	S				A 527	4	12'-6"	52	S			P 1115	104	27'-1"	14963	S		S 1101	180	21'-0"	20083	S	S 1102	72	30'-0"	11476	S		S 1101	180	21'-0"	20083	S			S 1102	72	30'-0"	11476	S				S 1101	180	21'-0"	20083	S				A 528	48	6'-11"	346	B			P 1116	104	27'-9"	15333	S		S 1102	72	30'-0"	11476	S	S 1101	180	21'-0"	20083	S		S 1102	72	30'-0"	11476	S			S 1101	180	21'-0"	20083	S				S 1102	72	30'-0"	11476	S				A 529	16	17'-1"	*	S			P 1117	2024	32'-0"	344112	S		S 1101	180	21'-0"	20083	S	S 1102	72	30'-0"	11476	S		S 1101	180	21'-0"	20083	S			S 1102	72	30'-0"	11476	S				S 1101	180	21'-0"	20083	S				A 601	36	13'-2"	1899	B			P 1118	88	29'-6"	13793	S		S 1102	72	30'-0"	11476	S	S 1101	180	21'-0"	20083	S		S 1102	72	30'-0"	11476	S			S 1101	180	21'-0"	20083	S				S 1102	72	30'-0"	11476	S				A 602	8	21'-1"	253	B			P 1119	176	28'-6"	26650	S		S 1101	180	21'-0"	20083	S	S 1102	72	30'-0"	11476	S		S 1101	180	21'-0"	20083	S			S 1102	72	30'-0"	11476	S				S 1101	180	21'-0"	20083	S				A 603	60	19'-6"	1797	B			P 1120	192	26'-2"	26693	S		S 1102	72	30'-0"	11476	S	S 1101	180	21'-0"	20083	S		S 1102	72	30'-0"	11476	S			S 1101	180	21'-0"	20083	S				S 1102	72	30'-0"	11476	S				A 604	60	18'-11"	1705	B			P 1121	88	25'-0"	11689	S		S 1101	180	21'-0"	20083	S	S 1102	72	30'-0"	11476	S		S 1101	180	21'-0"	20083	S			S 1102	72	30'-0"	11476	S				S 1101	180	21'-0"	20083	S				A 605	32	9'-4"	449	B			P 1122	264	24'-6"	34364	S		S 1102	72	30'-0"	11476	S	S 1101	180	21'-0"	20083	S		S 1102	72	30'-0"	11476	S			S 1101	180	21'-0"	20083	S				S 1102	72	30'-0"	11476	S				A 606	44	5'-4"	352	B																																																																																																																																																																																																																								
S 601	2879	35'-10"	154952	S			A 510	8	4'-5"	37				S		P 602	176				35'-4"		3340	S																																																																																																																																																																																																																																																																																																																																																																																																																																																																																																																																																																																																																																																																																																																																																																																																																																																																																																																																																																																																																																																																																																																																																																																																																																																																																																																																																																																																									
S 602	2879	33'-10"	146304	S			S 603	2646	21'-0"	83460				S		S 604	36	14'-0"			757		S	S 605		576	35'-6"		30713	S		S 606	32	16'-6"	745	S		A 511	12	7'-11"	99	S			P 603	88	32'-3"	4263	S		S 607		8	3'-3"	39	S	S 608	492	6'-0"		4434	S	S 609	2116	10'-0"	31782	S		S 610	3744	37'-6"	210881	S	S 611		420	13'-10"	8727	S			A 512	24	3'-10"	96	S		P 1001	220	24'-0"	22720		S		S 612	2304	32'-0"	110739		S	S 701	2849	35'-10"	208670	S			A 513	48	9'-4"	487	S		P 1101		220	38'-10"	45391	B		S 702		2849	33'-10"	197023	S	S 801		888	4'-4"	10274	S		A 514	12	13'-2"	165	S				P 1102	220	32'-10"	38377		B			S 802	592	6'-0"	9484		S	S 803		592	6'-6"	10274	S	S 901	480	30'-0"	48960	S		A 515	12		9'-0"		113	S		P 1103	528		20'-0"		56105	S		S 1001	918		21'-0"	82953	S		S 1002	420	30'-0"	34218	S	S 1003	36	14'-0"	2169	S	S 1101		180	21'-0"	20083	S	S 1102	72	30'-0"			11476	S		A 516	24	5'-6"		138		S		P 1104	220	44'-0"	51430	S			S 801	888	4'-4"	10274	S	S 802	592	6'-0"	9484	S		S 803	592	6'-6"	10274	S	S 901		480	30'-0"	48960	S	S 1001	918	21'-0"		82953	S		A 517	12	19'-5"	243		S		P 1105	1144	17'-0"	103327		S		S 1002	420	30'-0"		34218	S	S 1003	36	14'-0"	2169	S	S 1101	180	21'-0"		20083	S	S 1102	72	30'-0"	11476		S	S 1101	180	21'-0"	20083	S			A 518	8	8'-7"	72	B		P 1106		1144	13'-3"	80534	S		S 1102		72	30'-0"	11476	S	S 1101		180	21'-0"	20083	S	S 1102	72	30'-0"	11476	S	S 1101		180	21'-0"	20083	S	S 1102	72		30'-0"	11476	S		A 519	4	8'-11"		37	B		P 1107	104	13'-0"	7183		S		S 1101	180	21'-0"		20083	S	S 1102	72	30'-0"	11476		S	S 1101	180	21'-0"	20083	S	S 1102	72	30'-0"	11476		S	S 1101	180	21'-0"	20083	S			A 520	4	10'-1"	42	B			P 1108	104	15'-9"	8703	S		S 1102		72	30'-0"	11476	S	S 1101	180		21'-0"	20083	S	S 1102	72		30'-0"	11476	S	S 1101	180	21'-0"	20083	S	S 1102	72		30'-0"	11476	S		A 521	4		11'-1"	46	B		P 1109	104	18'-0"		9946	S		S 1101	180	21'-0"	20083		S	S 1102	72	30'-0"	11476	S		S 1101	180	21'-0"	20083	S		S 1102	72	30'-0"	11476	S	S 1101	180	21'-0"	20083	S			A 522	12	4'-7"	57	B			P 1110	104	20'-3"	11189	S			S 1102	72	30'-0"	11476	S	S 1101	180		21'-0"	20083	S	S 1102	72	30'-0"		11476	S	S 1101	180	21'-0"		20083	S	S 1102	72	30'-0"	11476	S		A 523	16		5'-11"	99	B		P 1111	176		22'-6"	21039	S		S 1101	180	21'-0"		20083	S	S 1102	72	30'-0"	11476	S		S 1101	180	21'-0"	20083	S	S 1102		72	30'-0"	11476	S	S 1101		180	21'-0"	20083	S		A 524	12	6'-5"	90	B			P 1112	104	25'-2"	13908	S			S 1102	72	30'-0"	11476	S	S 1101		180	21'-0"	20083	S	S 1102	72	30'-0"		11476	S	S 1101	180	21'-0"	20083		S	S 1102	72	30'-0"	11476		S		A 525	16	6'-9"	113	B		P 1113	176		25'-6"	23845	S		S 1101	180		21'-0"	20083	S	S 1102	72	30'-0"	11476		S	S 1101	180	21'-0"	20083	S	S 1102		72	30'-0"	11476	S	S 1101	180		21'-0"	20083	S		A 526		24	17'-1"	428	S		P 1114	176	26'-6"	24780	S			S 1102	72	30'-0"	11476	S		S 1101	180	21'-0"	20083	S	S 1102	72		30'-0"	11476	S	S 1101	180	21'-0"	20083		S	S 1102	72	30'-0"	11476	S			A 527	4	12'-6"	52		S		P 1115	104	27'-1"	14963	S		S 1101	180		21'-0"	20083	S	S 1102	72	30'-0"		11476	S	S 1101	180	21'-0"	20083	S		S 1102	72	30'-0"	11476	S	S 1101	180		21'-0"	20083	S		A 528	48		6'-11"	346	B		P 1116		104	27'-9"	15333	S		S 1102	72	30'-0"	11476	S		S 1101	180	21'-0"	20083	S	S 1102		72	30'-0"	11476	S	S 1101	180	21'-0"		20083	S	S 1102	72	30'-0"	11476	S			A 529	16	17'-1"	*	S			P 1117	2024	32'-0"	344112		S		S 1101	180	21'-0"	20083	S	S 1102	72	30'-0"		11476	S	S 1101	180	21'-0"	20083		S	S 1102	72	30'-0"	11476	S	S 1101		180	21'-0"	20083	S		A 601	36		13'-2"	1899	B		P 1118	88		29'-6"	13793	S		S 1102		72	30'-0"	11476	S	S 1101	180	21'-0"	20083	S	S 1102		72	30'-0"	11476	S	S 1101	180		21'-0"	20083	S	S 1102	72	30'-0"	11476		S		A 602	8	21'-1"	253	B			P 1119	176	28'-6"	26650	S			S 1101	180	21'-0"	20083		S	S 1102	72	30'-0"	11476	S	S 1101	180	21'-0"	20083		S	S 1102	72	30'-0"	11476	S		S 1101	180	21'-0"	20083	S			A 603	60	19'-6"	1797	B		P 1120	192		26'-2"	26693	S		S 1102	72		30'-0"	11476	S	S 1101	180		21'-0"	20083	S	S 1102	72	30'-0"	11476	S	S 1101	180		21'-0"	20083	S	S 1102	72	30'-0"		11476	S		A 604	60	18'-11"		1705	B		P 1121	88	25'-0"	11689	S			S 1101	180	21'-0"	20083	S		S 1102	72	30'-0"	11476	S		S 1101	180	21'-0"	20083	S	S 1102	72	30'-0"	11476	S		S 1101	180	21'-0"	20083	S			A 605	32	9'-4"	449	B			P 1122	264	24'-6"	34364	S		S 1102	72		30'-0"	11476	S	S 1101	180	21'-0"		20083	S	S 1102	72	30'-0"		11476	S	S 1101	180	21'-0"	20083	S	S 1102	72	30'-0"		11476	S		A 606	44	5'-4"		352	B																																																																																																																																																																																																																																																																																																																																									
S 603	2646	21'-0"	83460	S			S 604	36	14'-0"	757		S		S 605		576	35'-6"	30713		S	S 606		32	16'-6"		745	S		A 511	12		7'-11"	99	S		P 603		88	32'-3"	4263	S			S 607	8	3'-3"	39	S	S 608		492	6'-0"	4434	S	S 609	2116	10'-0"	31782	S	S 610	3744	37'-6"	210881	S	S 611	420	13'-10"		8727	S		A 512	24	3'-10"		96	S		P 1001			220	24'-0"	22720	S			S 612	2304	32'-0"	110739	S	S 701		2849	35'-10"	208670	S		A 513	48	9'-4"	487	S			P 1101	220	38'-10"	45391	B			S 702		2849	33'-10"	197023	S		S 801		888	4'-4"	10274	S			A 514	12	13'-2"	165		S		P 1102	220	32'-10"	38377			B		S 802	592	6'-0"	9484			S	S 803	592	6'-6"	10274	S	S 901		480	30'-0"	48960	S		A 515	12	9'-0"	113		S		P 1103	528		20'-0"	56105		S		S 1001	918		21'-0"	82953		S	S 1002	420	30'-0"	34218	S		S 1003	36	14'-0"	2169	S	S 1101	180	21'-0"	20083	S	S 1102	72	30'-0"	11476	S		A 516	24	5'-6"	138		S			P 1104	220	44'-0"	51430	S				S 801	888	4'-4"	10274	S			S 802	592	6'-0"	9484	S	S 803	592	6'-6"	10274	S	S 901	480	30'-0"	48960	S	S 1001	918	21'-0"	82953	S		A 517	12	19'-5"	243	S		P 1105		1144	17'-0"	103327	S				S 1002	420	30'-0"	34218		S		S 1003	36	14'-0"		2169	S	S 1101	180	21'-0"	20083	S	S 1102	72	30'-0"	11476	S	S 1101	180	21'-0"	20083	S		A 518	8	8'-7"	72	B			P 1106	1144	13'-3"	80534	S			S 1102		72	30'-0"	11476	S		S 1101		180	21'-0"	20083	S	S 1102		72	30'-0"	11476	S	S 1101	180	21'-0"	20083	S	S 1102	72	30'-0"	11476	S		A 519	4	8'-11"	37	B			P 1107	104	13'-0"	7183	S			S 1101	180	21'-0"	20083		S		S 1102	72	30'-0"		11476	S	S 1101	180	21'-0"	20083		S	S 1102	72	30'-0"	11476	S	S 1101	180	21'-0"	20083	S		A 520	4	10'-1"	42	B			P 1108	104	15'-9"	8703	S			S 1102	72	30'-0"	11476	S		S 1101		180	21'-0"	20083	S	S 1102	72		30'-0"	11476	S	S 1101	180		21'-0"	20083	S	S 1102	72	30'-0"	11476	S		A 521	4	11'-1"	46	B			P 1109	104	18'-0"	9946	S			S 1101	180	21'-0"	20083	S		S 1102	72	30'-0"	11476		S	S 1101	180	21'-0"	20083	S		S 1102	72	30'-0"	11476	S		S 1101	180	21'-0"	20083	S		A 522	12	4'-7"	57	B			P 1110	104	20'-3"	11189	S			S 1102	72	30'-0"	11476		S	S 1101	180	21'-0"	20083	S	S 1102	72		30'-0"	11476	S	S 1101	180	21'-0"		20083	S	S 1102	72	30'-0"		11476	S		A 523	16	5'-11"	99		B		P 1111	176	22'-6"	21039		S		S 1101	180	21'-0"	20083		S	S 1102	72	30'-0"	11476	S	S 1101	180	21'-0"	20083	S		S 1102	72	30'-0"	11476	S	S 1101		180	21'-0"	20083	S			A 524	12	6'-5"	90		B		P 1112	104	25'-2"	13908		S		S 1102	72	30'-0"	11476		S	S 1101	180	21'-0"	20083	S	S 1102	72	30'-0"	11476	S	S 1101	180	21'-0"		20083	S	S 1102	72	30'-0"	11476		S		A 525	16	6'-9"		113		B		P 1113	176	25'-6"		23845	S		S 1101	180	21'-0"		20083	S	S 1102	72	30'-0"	11476	S	S 1101	180	21'-0"	20083	S	S 1102	72	30'-0"	11476	S	S 1101		180	21'-0"	20083	S		A 526		24	17'-1"	428		S			P 1114	176	26'-6"		24780	S		S 1102	72	30'-0"		11476	S	S 1101	180	21'-0"	20083	S	S 1102	72	30'-0"	11476	S	S 1101	180	21'-0"	20083	S	S 1102	72	30'-0"	11476		S		A 527	4	12'-6"	52			S		P 1115	104		27'-1"		14963	S		S 1101	180		21'-0"	20083	S	S 1102	72	30'-0"	11476	S	S 1101	180	21'-0"	20083	S	S 1102	72	30'-0"	11476	S	S 1101	180	21'-0"	20083	S		A 528		48	6'-11"	346		B			P 1116	104	27'-9"		15333		S		S 1102	72		30'-0"	11476	S	S 1101	180	21'-0"	20083	S	S 1102	72	30'-0"	11476	S	S 1101	180	21'-0"	20083	S	S 1102	72	30'-0"	11476	S		A 529	16	17'-1"	*			S		P 1117	2024	32'-0"			344112	S		S 1101		180		21'-0"	20083	S	S 1102	72	30'-0"	11476	S	S 1101	180	21'-0"	20083	S	S 1102	72	30'-0"	11476	S	S 1101	180	21'-0"	20083	S		A 601	36	13'-2"	1899		B			P 1118	88	29'-6"		13793	S			S 1102	72		30'-0"		11476	S	S 1101	180	21'-0"	20083	S	S 1102	72	30'-0"	11476	S	S 1101	180	21'-0"	20083	S	S 1102	72	30'-0"	11476	S		A 602	8	21'-1"	253		B		P 1119	176	28'-6"			26650	S		S 1101	180			21'-0"	20083	S	S 1102		72	30'-0"	11476	S	S 1101	180	21'-0"	20083	S	S 1102	72	30'-0"	11476	S	S 1101	180	21'-0"	20083	S		A 603	60	19'-6"		1797	B		P 1120	192	26'-2"		26693	S			S 1102	72		30'-0"	11476		S	S 1101	180	21'-0"	20083		S	S 1102	72	30'-0"	11476	S	S 1101	180	21'-0"	20083	S	S 1102	72	30'-0"	11476	S		A 604	60	18'-11"		1705	B		P 1121	88	25'-0"		11689	S		S 1101	180			21'-0"	20083	S	S 1102	72		30'-0"	11476	S	S 1101	180		21'-0"	20083	S	S 1102	72	30'-0"	11476	S	S 1101	180	21'-0"	20083	S		A 605	32		9'-4"	449	B		P 1122	264		24'-6"	34364	S		S 1102	72		30'-0"	11476		S	S 1101	180	21'-0"	20083	S		S 1102	72	30'-0"	11476	S		S 1101	180	21'-0"	20083	S	S 1102	72	30'-0"	11476	S		A 606	44		5'-4"	352	B																																																																																																																																																																																																																																																																																																																																												
S 604	36	14'-0"	757	S	S 605		576	35'-6"	30713	S	S 606	32		16'-6"		745	S		A 511	12	7'-11"		99	S			P 603		88	32'-3"		4263	S			S 607		8	3'-3"	39	S			S 608	492	6'-0"	4434	S	S 609		2116	10'-0"	31782	S	S 610	3744	37'-6"	210881	S	S 611	420	13'-10"	8727	S		A 512	24		3'-10"	96		S		P 1001		220	24'-0"		22720			S		S 612	2304			32'-0"	110739	S	S 701	2849	35'-10"		208670	S		A 513		48	9'-4"	487	S				P 1101	220	38'-10"	45391	B					S 702	2849	33'-10"	197023		S		S 801	888	4'-4"	10274			S		A 514	12		13'-2"		165	S		P 1102			220		32'-10"	38377	B				S 802	592	6'-0"	9484	S	S 803	592		6'-6"	10274	S	S 901		480	30'-0"	48960	S				A 515	12		9'-0"	113		S			P 1103		528	20'-0"		56105	S		S 1001	918	21'-0"		82953	S	S 1002	420	30'-0"	34218	S	S 1003	36	14'-0"	2169	S	S 1101	180	21'-0"		20083	S	S 1102	72		30'-0"			11476	S		A 516	24				5'-6"	138	S		P 1104			220	44'-0"	51430	S		S 801	888	4'-4"	10274	S	S 802	592	6'-0"	9484	S	S 803	592	6'-6"	10274	S		S 901	480	30'-0"	48960	S		S 1001		918	21'-0"	82953	S					A 517	12	19'-5"		243		S		P 1105		1144	17'-0"	103327	S		S 1002	420	30'-0"	34218	S	S 1003	36	14'-0"	2169	S	S 1101	180		21'-0"	20083	S	S 1102	72			30'-0"	11476	S	S 1101	180			21'-0"		20083	S		A 518		8		8'-7"	72	B		P 1106		1144	13'-3"	80534	S		S 1102	72	30'-0"	11476	S	S 1101	180	21'-0"	20083		S	S 1102	72	30'-0"	11476			S	S 1101	180	21'-0"	20083			S	S 1102	72	30'-0"		11476		S		A 519		4	8'-11"	37	B		P 1107		104	13'-0"	7183	S		S 1101	180	21'-0"	20083	S	S 1102		72	30'-0"	11476	S	S 1101			180	21'-0"	20083	S	S 1102			72	30'-0"	11476	S	S 1101		180		21'-0"	20083	S		A 520	4		10'-1"	42	B		P 1108		104	15'-9"	8703	S		S 1102	72	30'-0"		11476	S	S 1101	180	21'-0"			20083	S	S 1102	72	30'-0"			11476	S	S 1101	180	21'-0"		20083	S	S 1102	72		30'-0"	11476	S		A 521	4		11'-1"	46	B		P 1109		104	18'-0"	9946	S			S 1101	180	21'-0"	20083	S			S 1102	72	30'-0"	11476	S			S 1101	180	21'-0"	20083		S	S 1102	72	30'-0"	11476	S	S 1101	180		21'-0"	20083	S		A 522	12		4'-7"	57	B		P 1110		104	20'-3"		11189	S		S 1102		72		30'-0"	11476	S	S 1101		180		21'-0"	20083	S	S 1102		72	30'-0"	11476	S	S 1101	180	21'-0"	20083	S	S 1102	72		30'-0"	11476	S		A 523	16		5'-11"	99	B				P 1111	176	22'-6"	21039		S			S 1101	180	21'-0"		20083		S	S 1102	72	30'-0"		11476	S	S 1101	180	21'-0"	20083	S	S 1102	72	30'-0"	11476	S	S 1101	180		21'-0"	20083	S		A 524	12		6'-5"		90	B			P 1112		104		25'-2"	13908	S			S 1102		72	30'-0"	11476		S	S 1101	180	21'-0"	20083	S	S 1102	72	30'-0"	11476	S	S 1101	180	21'-0"	20083	S	S 1102	72		30'-0"	11476	S			A 525		16	6'-9"	113		B				P 1113	176		25'-6"	23845		S		S 1101		180	21'-0"	20083	S	S 1102	72	30'-0"	11476	S	S 1101	180	21'-0"	20083	S	S 1102	72	30'-0"	11476	S	S 1101	180		21'-0"		20083	S		A 526			24		17'-1"	428		S			P 1114		176	26'-6"		24780	S		S 1102	72	30'-0"	11476	S	S 1101	180	21'-0"	20083	S	S 1102	72	30'-0"	11476	S	S 1101	180	21'-0"	20083	S		S 1102		72	30'-0"	11476		S				A 527	4		12'-6"		52		S			P 1115	104	27'-1"	14963	S		S 1101	180	21'-0"	20083	S	S 1102	72	30'-0"	11476	S	S 1101	180	21'-0"	20083	S	S 1102	72		30'-0"	11476	S	S 1101			180		21'-0"	20083	S				A 528		48		6'-11"		346	B		P 1116	104	27'-9"	15333	S		S 1102	72	30'-0"	11476	S	S 1101	180	21'-0"	20083	S	S 1102	72	30'-0"	11476		S	S 1101	180	21'-0"		20083			S	S 1102	72		30'-0"	11476			S			A 529		16	17'-1"	*	S		P 1117	2024	32'-0"	344112	S		S 1101	180	21'-0"	20083	S	S 1102	72	30'-0"	11476	S	S 1101		180	21'-0"	20083	S		S 1102		72	30'-0"	11476			S	S 1101		180	21'-0"			20083	S		A 601		36	13'-2"	1899	B		P 1118	88	29'-6"	13793	S		S 1102	72	30'-0"	11476	S	S 1101	180	21'-0"		20083	S	S 1102		72	30'-0"		11476	S	S 1101		180	21'-0"			20083	S		S 1102	72		30'-0"	11476	S		A 602		8	21'-1"	253	B		P 1119	176	28'-6"	26650	S		S 1101	180	21'-0"	20083	S		S 1102	72	30'-0"		11476	S		S 1101	180	21'-0"		20083	S		S 1102	72			30'-0"	11476	S	S 1101	180		21'-0"	20083	S		A 603		60	19'-6"	1797	B		P 1120	192	26'-2"	26693	S		S 1102	72		30'-0"	11476		S	S 1101	180		21'-0"	20083		S	S 1102	72		30'-0"	11476		S	S 1101		180	21'-0"	20083	S	S 1102	72		30'-0"	11476	S		A 604		60	18'-11"	1705	B		P 1121	88	25'-0"	11689	S			S 1101		180	21'-0"	20083		S	S 1102		72	30'-0"	11476	S	S 1101	180	21'-0"	20083	S	S 1102	72	30'-0"		11476	S	S 1101	180	21'-0"	20083		S		A 605	32	9'-4"		449	B		P 1122	264	24'-6"	34364	S		S 1102	72	30'-0"	11476	S	S 1101	180	21'-0"	20083	S	S 1102	72	30'-0"	11476	S	S 1101	180	21'-0"	20083	S	S 1102	72	30'-0"	11476		S		A 606	44	5'-4"	352		B																																																																																																																																																																																																																																																																				
S 605	576	35'-6"	30713	S	S 606		32	16'-6"	745	S		A 511	12	7'-11"		99	S			P 603	88	32'-3"	4263	S					S 607	8	3'-3"	39	S			S 608		492	6'-0"	4434	S			S 609	2116	10'-0"	31782	S	S 610		3744	37'-6"	210881	S	S 611	420	13'-10"	8727	S		A 512	24	3'-10"	96		S		P 1001	220	24'-0"		22720		S		S 612	2304		32'-0"		110739	S		S 701	2849			35'-10"	208670	S		A 513	48		9'-4"	487		S			P 1101	220	38'-10"				45391	B		S 702	2849				33'-10"	197023	S	S 801	888		4'-4"	10274	S		A 514	12		13'-2"	165		S			P 1102		220	32'-10"		38377	B				S 802	592	6'-0"		9484		S	S 803	592	6'-6"	10274	S	S 901	480	30'-0"	48960	S			A 515	12	9'-0"	113				S		P 1103	528	20'-0"		56105			S		S 1001	918		21'-0"	82953		S	S 1002	420	30'-0"	34218	S	S 1003	36	14'-0"	2169	S	S 1101	180	21'-0"	20083	S	S 1102	72	30'-0"		11476	S		A 516	24	5'-6"			138	S			P 1104	220			44'-0"	51430	S			S 801		888	4'-4"	10274	S		S 802	592	6'-0"	9484	S	S 803	592	6'-6"	10274	S	S 901	480	30'-0"	48960	S		S 1001	918	21'-0"	82953	S				A 517	12	19'-5"	243	S					P 1105	1144	17'-0"	103327		S			S 1002	420	30'-0"	34218	S		S 1003	36	14'-0"	2169	S	S 1101	180	21'-0"	20083	S	S 1102	72		30'-0"	11476	S	S 1101	180			21'-0"	20083	S		A 518			8	8'-7"	72	B				P 1106	1144	13'-3"	80534	S			S 1102	72	30'-0"	11476	S		S 1101	180	21'-0"	20083	S	S 1102	72	30'-0"	11476		S	S 1101	180	21'-0"	20083			S	S 1102	72	30'-0"	11476			S		A 519	4	8'-11"	37		B			P 1107	104	13'-0"	7183	S			S 1101	180	21'-0"	20083	S		S 1102	72	30'-0"	11476	S	S 1101		180	21'-0"	20083	S	S 1102			72	30'-0"	11476	S	S 1101			180	21'-0"	20083	S			A 520	4	10'-1"	42	B			P 1108	104	15'-9"	8703	S			S 1102	72	30'-0"	11476	S		S 1101	180	21'-0"		20083	S	S 1102	72	30'-0"			11476	S	S 1101	180	21'-0"			20083	S	S 1102	72	30'-0"		11476	S		A 521	4	11'-1"	46	B			P 1109	104	18'-0"	9946	S			S 1101	180	21'-0"	20083	S			S 1102	72	30'-0"	11476	S			S 1101	180	21'-0"	20083	S			S 1102	72	30'-0"	11476		S	S 1101	180	21'-0"	20083	S		A 522	12	4'-7"	57	B			P 1110	104	20'-3"	11189	S			S 1102	72	30'-0"		11476	S		S 1101		180		21'-0"	20083	S	S 1102		72		30'-0"	11476	S	S 1101		180	21'-0"	20083	S	S 1102	72	30'-0"	11476	S		A 523	16	5'-11"	99	B			P 1111	176	22'-6"	21039	S				S 1101	180	21'-0"	20083		S			S 1102	72	30'-0"		11476		S	S 1101	180	21'-0"		20083	S	S 1102	72	30'-0"	11476	S	S 1101	180	21'-0"	20083	S		A 524	12	6'-5"	90	B			P 1112	104	25'-2"		13908	S			S 1102		72		30'-0"	11476	S			S 1101		180	21'-0"	20083		S	S 1102	72	30'-0"	11476	S	S 1101	180	21'-0"	20083	S	S 1102	72	30'-0"	11476	S		A 525	16	6'-9"	113	B				P 1113	176	25'-6"	23845		S				S 1101	180		21'-0"	20083		S		S 1102		72	30'-0"	11476	S	S 1101	180	21'-0"	20083	S	S 1102	72	30'-0"	11476	S	S 1101	180	21'-0"	20083	S		A 526	24	17'-1"		428	S			P 1114		176		26'-6"	24780	S				S 1102		72	30'-0"		11476	S		S 1101	180	21'-0"	20083	S	S 1102	72	30'-0"	11476	S	S 1101	180	21'-0"	20083	S	S 1102	72	30'-0"	11476	S			A 527	4	12'-6"	52		S				P 1115	104		27'-1"	14963	S					S 1101	180	21'-0"	20083	S		S 1102	72	30'-0"	11476	S	S 1101	180	21'-0"	20083	S	S 1102	72	30'-0"	11476	S	S 1101	180		21'-0"	20083	S		A 528		48		6'-11"	346	B				P 1116		104	27'-9"	15333		S			S 1102	72	30'-0"	11476	S		S 1101	180	21'-0"	20083	S	S 1102	72	30'-0"	11476	S	S 1101	180	21'-0"	20083		S	S 1102	72	30'-0"		11476		S		A 529	16		17'-1"	*	S					P 1117	2024	32'-0"	344112	S			S 1101	180	21'-0"	20083	S		S 1102	72	30'-0"	11476	S	S 1101	180	21'-0"	20083	S	S 1102		72	30'-0"	11476	S		S 1101		180	21'-0"	20083	S			A 601		36	13'-2"	1899		B			P 1118	88	29'-6"	13793	S			S 1102	72	30'-0"	11476	S		S 1101	180	21'-0"	20083	S	S 1102	72	30'-0"		11476	S	S 1101		180	21'-0"		20083	S	S 1102		72	30'-0"	11476		S			A 602	8	21'-1"	253	B			P 1119	176	28'-6"	26650	S			S 1101	180	21'-0"	20083	S		S 1102	72	30'-0"	11476	S		S 1101	180	21'-0"		20083	S		S 1102	72	30'-0"		11476	S		S 1101	180	21'-0"		20083	S		A 603	60	19'-6"	1797	B			P 1120	192	26'-2"	26693	S			S 1102	72	30'-0"	11476	S		S 1101	180		21'-0"	20083		S	S 1102	72		30'-0"	11476		S	S 1101	180		21'-0"	20083		S	S 1102	72	30'-0"	11476	S		A 604	60	18'-11"	1705	B			P 1121	88	25'-0"	11689	S			S 1101	180	21'-0"	20083	S			S 1102		72	30'-0"	11476		S	S 1101		180	21'-0"	20083	S	S 1102	72	30'-0"	11476	S	S 1101	180	21'-0"	20083	S		A 605	32	9'-4"	449	B			P 1122	264	24'-6"	34364	S			S 1102	72	30'-0"	11476	S		S 1101	180	21'-0"	20083	S	S 1102	72	30'-0"	11476	S	S 1101	180	21'-0"	20083	S	S 1102	72	30'-0"	11476	S		A 606	44	5'-4"	352	B																																																																																																																																																																																																																																																																											
S 606	32	16'-6"	745	S		A 511	12	7'-11"	99	S			P 603	88	32'-3"	4263	S																																																																																																																																																																																																																																																																																																																																																																																																																																																																																																																																																																																																																																																																																																																																																																																																																																																																																																																																																																																																																																																																																																																																																																																																																																																																																																																																																																																																																
S 607	8	3'-3"	39	S		S 608	492	6'-0"	4434	S			S 609	2116	10'-0"	31782	S				S 610	3744	37'-6"	210881	S				S 611	420	13'-10"	8727	S				A 512	24	3'-10"	96	S			P 1001	220	24'-0"	22720	S		S 612	2304	32'-0"	110739	S	S 701	2849	35'-10"	208670	S			A 513	48	9'-4"		487		S		P 1101		220		38'-10"		45391	B			S 702	2849	33'-10"		197023	S		S 801	888	4'-4"	10274		S		A 514	12	13'-2"		165			S		P 1102			220	32'-10"	38377		B			S 802		592	6'-0"	9484	S	S 803	592	6'-6"	10274	S		S 901	480		30'-0"	48960		S			A 515		12	9'-0"		113	S				P 1103	528	20'-0"		56105	S		S 1001	918	21'-0"	82953	S	S 1002	420	30'-0"	34218	S			S 1003	36	14'-0"	2169	S			S 1101		180	21'-0"	20083	S	S 1102			72		30'-0"	11476	S		A 516		24	5'-6"	138	S		P 1104	220	44'-0"	51430	S		S 801	888	4'-4"	10274	S	S 802	592	6'-0"		9484	S		S 803	592	6'-6"		10274	S	S 901			480	30'-0"		48960	S	S 1001	918			21'-0"	82953	S		A 517	12		19'-5"	243	S		P 1105	1144	17'-0"	103327	S		S 1002	420	30'-0"	34218	S		S 1003	36	14'-0"	2169	S			S 1101	180	21'-0"	20083	S	S 1102		72			30'-0"	11476	S	S 1101	180	21'-0"			20083	S		A 518	8		8'-7"	72	B		P 1106	1144	13'-3"	80534	S		S 1102	72		30'-0"	11476	S	S 1101	180		21'-0"	20083	S	S 1102		72		30'-0"	11476	S	S 1101	180			21'-0"	20083	S	S 1102	72	30'-0"			11476	S		A 519	4		8'-11"	37	B		P 1107	104	13'-0"	7183	S			S 1101	180	21'-0"	20083		S	S 1102	72	30'-0"	11476	S		S 1101	180		21'-0"	20083	S	S 1102	72	30'-0"			11476	S	S 1101	180	21'-0"			20083	S		A 520	4		10'-1"	42	B		P 1108	104		15'-9"	8703	S		S 1102		72	30'-0"	11476	S	S 1101	180	21'-0"		20083	S	S 1102	72		30'-0"	11476	S	S 1101	180	21'-0"			20083	S	S 1102	72	30'-0"			11476	S		A 521	4		11'-1"	46	B			P 1109	104	18'-0"	9946	S			S 1101	180	21'-0"	20083	S		S 1102	72	30'-0"	11476	S	S 1101	180	21'-0"		20083	S	S 1102	72	30'-0"			11476	S	S 1101	180	21'-0"			20083	S		A 522	12			4'-7"	57	B		P 1110	104		20'-3"	11189	S		S 1102	72		30'-0"	11476	S	S 1101	180	21'-0"	20083	S	S 1102	72	30'-0"		11476	S	S 1101	180	21'-0"			20083	S	S 1102	72	30'-0"			11476	S			A 523	16		5'-11"	99	B			P 1111	176	22'-6"	21039	S			S 1101	180	21'-0"	20083	S	S 1102	72	30'-0"	11476	S	S 1101	180	21'-0"		20083	S	S 1102	72	30'-0"			11476	S	S 1101	180	21'-0"				20083	S		A 524	12	6'-5"			90	B		P 1112	104		25'-2"	13908	S		S 1102	72	30'-0"	11476	S	S 1101	180	21'-0"	20083	S	S 1102	72	30'-0"		11476	S	S 1101	180	21'-0"			20083	S	S 1102		72	30'-0"			11476	S			A 525	16	6'-9"	113		B			P 1113	176	25'-6"	23845	S		S 1101	180	21'-0"	20083	S	S 1102	72	30'-0"	11476	S	S 1101	180	21'-0"		20083	S	S 1102	72	30'-0"				11476	S	S 1101	180	21'-0"	20083				S		A 526	24	17'-1"		428		S		P 1114	176	26'-6"	24780	S		S 1102	72	30'-0"	11476	S	S 1101	180	21'-0"	20083	S	S 1102	72	30'-0"		11476	S	S 1101		180	21'-0"			20083	S	S 1102		72	30'-0"	11476		S				A 527	4	12'-6"	52	S			P 1115	104	27'-1"	14963	S		S 1101	180	21'-0"	20083	S	S 1102	72	30'-0"	11476	S	S 1101	180	21'-0"			20083	S	S 1102	72	30'-0"	11476				S	S 1101	180	21'-0"	20083	S					A 528	48	6'-11"	346	B			P 1116	104	27'-9"	15333	S		S 1102	72	30'-0"	11476	S	S 1101	180	21'-0"	20083	S		S 1102	72	30'-0"		11476	S	S 1101		180	21'-0"	20083		S		S 1102		72	30'-0"	11476	S				A 529	16	17'-1"	*	S			P 1117	2024	32'-0"	344112	S		S 1101	180	21'-0"	20083	S	S 1102	72		30'-0"	11476	S	S 1101	180	21'-0"		20083		S	S 1102	72	30'-0"	11476	S				S 1101	180	21'-0"	20083	S				A 601	36	13'-2"	1899	B			P 1118	88	29'-6"	13793	S		S 1102	72	30'-0"	11476		S	S 1101	180	21'-0"	20083	S		S 1102	72	30'-0"	11476	S		S 1101		180	21'-0"	20083	S	S 1102			72	30'-0"	11476	S				A 602	8	21'-1"	253	B			P 1119	176	28'-6"	26650	S		S 1101		180	21'-0"	20083	S	S 1102	72		30'-0"	11476	S	S 1101	180	21'-0"	20083		S		S 1102	72	30'-0"	11476	S	S 1101			180	21'-0"	20083	S				A 603	60	19'-6"	1797	B			P 1120	192	26'-2"	26693		S		S 1102	72	30'-0"	11476		S	S 1101	180	21'-0"	20083	S		S 1102	72	30'-0"	11476	S	S 1101		180	21'-0"	20083	S	S 1102			72	30'-0"	11476	S				A 604	60	18'-11"	1705	B			P 1121		88	25'-0"	11689	S		S 1101		180	21'-0"	20083	S	S 1102	72		30'-0"	11476	S	S 1101	180	21'-0"	20083	S	S 1102		72	30'-0"	11476	S	S 1101			180	21'-0"	20083	S				A 605	32	9'-4"	449	B				P 1122	264	24'-6"	34364		S		S 1102	72	30'-0"	11476	S	S 1101	180	21'-0"	20083	S	S 1102	72	30'-0"	11476	S		S 1101	180	21'-0"	20083	S			S 1102	72	30'-0"	11476	S				A 606	44	5'-4"	352		B																																																																																																																																																																																																																																																																																																				
S 608	492	6'-0"	4434	S		S 609	2116	10'-0"	31782	S			S 610	3744	37'-6"	210881	S				S 611	420	13'-10"	8727	S				A 512	24	3'-10"	96	S				P 1001	220	24'-0"	22720	S			S 612	2304	32'-0"	110739	S		S 701	2849	35'-10"	208670	S		A 513	48	9'-4"	487			S		P 1101		220		38'-10"		45391	B			S 702		2849	33'-10"	197023		S	S 801	888		4'-4"	10274	S		A 514	12	13'-2"		165		S		P 1102		220	32'-10"		38377		B			S 802	592	6'-0"		9484		S	S 803		592	6'-6"	10274	S	S 901	480	30'-0"	48960	S			A 515	12	9'-0"	113		S				P 1103	528	20'-0"		56105	S				S 1001	918	21'-0"		82953	S		S 1002	420	30'-0"	34218	S	S 1003	36	14'-0"	2169	S		S 1101	180	21'-0"	20083	S	S 1102		72	30'-0"		11476	S		A 516	24	5'-6"		138		S		P 1104		220		44'-0"	51430	S			S 801	888	4'-4"	10274	S		S 802	592	6'-0"	9484	S	S 803	592	6'-6"	10274	S	S 901		480	30'-0"	48960	S	S 1001	918	21'-0"			82953	S		A 517	12	19'-5"	243			S		P 1105		1144	17'-0"		103327	S			S 1002	420	30'-0"	34218	S		S 1003	36	14'-0"	2169	S	S 1101	180	21'-0"	20083	S	S 1102	72		30'-0"	11476	S	S 1101	180	21'-0"	20083	S				A 518	8	8'-7"	72	B				P 1106		1144	13'-3"		80534	S			S 1102	72	30'-0"	11476	S		S 1101	180	21'-0"	20083	S	S 1102	72	30'-0"	11476	S	S 1101	180	21'-0"		20083	S	S 1102	72	30'-0"	11476	S				A 519	4	8'-11"	37	B				P 1107		104	13'-0"		7183	S			S 1101	180	21'-0"	20083	S	S 1102		72	30'-0"	11476	S	S 1101	180	21'-0"	20083	S	S 1102	72	30'-0"	11476	S		S 1101	180	21'-0"	20083	S				A 520	4	10'-1"	42	B				P 1108		104	15'-9"		8703	S			S 1102	72	30'-0"	11476	S	S 1101		180	21'-0"	20083	S	S 1102	72	30'-0"	11476	S	S 1101	180	21'-0"	20083	S		S 1102	72	30'-0"	11476	S				A 521	4	11'-1"	46	B				P 1109		104	18'-0"		9946	S		S 1101		180	21'-0"	20083	S	S 1102	72		30'-0"	11476	S	S 1101	180	21'-0"	20083	S	S 1102	72	30'-0"	11476	S	S 1101		180	21'-0"	20083	S				A 522	12	4'-7"	57	B				P 1110		104	20'-3"		11189	S		S 1102		72	30'-0"	11476	S	S 1101	180		21'-0"	20083	S	S 1102	72	30'-0"	11476	S	S 1101	180	21'-0"	20083	S	S 1102		72	30'-0"	11476	S				A 523	16	5'-11"	99	B				P 1111		176	22'-6"	21039		S		S 1101	180		21'-0"	20083	S	S 1102	72	30'-0"		11476	S	S 1101	180	21'-0"	20083	S	S 1102	72	30'-0"	11476	S	S 1101		180	21'-0"	20083	S				A 524	12	6'-5"	90	B				P 1112	104		25'-2"	13908	S			S 1102	72		30'-0"	11476	S	S 1101	180	21'-0"		20083	S	S 1102	72	30'-0"	11476	S	S 1101	180	21'-0"	20083	S	S 1102		72	30'-0"	11476	S				A 525	16	6'-9"	113	B				P 1113	176		25'-6"	23845	S		S 1101		180	21'-0"		20083	S	S 1102	72	30'-0"		11476	S	S 1101	180	21'-0"	20083	S	S 1102	72	30'-0"	11476	S	S 1101		180	21'-0"	20083	S			A 526		24	17'-1"	428	S		P 1114		176		26'-6"		24780	S		S 1102	72		30'-0"		11476	S	S 1101	180	21'-0"		20083	S	S 1102	72	30'-0"	11476	S	S 1101	180	21'-0"	20083	S	S 1102		72	30'-0"	11476	S		A 527			4	12'-6"	52	S		P 1115	104		27'-1"			14963	S		S 1101	180	21'-0"			20083	S	S 1102	72	30'-0"		11476	S	S 1101	180	21'-0"	20083	S	S 1102	72	30'-0"	11476	S	S 1101	180		21'-0"	20083	S		A 528	48	6'-11"			346	B		P 1116	104	27'-9"	15333				S		S 1102	72	30'-0"			11476	S	S 1101	180	21'-0"		20083	S	S 1102	72	30'-0"	11476	S	S 1101	180	21'-0"	20083	S	S 1102	72		30'-0"	11476	S		A 529	16	17'-1"		*		S		P 1117	2024	32'-0"	344112				S		S 1101	180	21'-0"			20083	S	S 1102	72	30'-0"		11476	S	S 1101	180	21'-0"	20083	S	S 1102	72	30'-0"	11476	S	S 1101	180	21'-0"	20083		S		A 601	36	13'-2"	1899	B				P 1118	88	29'-6"	13793				S		S 1102	72	30'-0"			11476	S	S 1101	180	21'-0"		20083	S	S 1102	72	30'-0"	11476	S	S 1101	180	21'-0"	20083	S	S 1102	72	30'-0"	11476	S			A 602	8	21'-1"	253	B				P 1119	176	28'-6"	26650				S		S 1101	180	21'-0"			20083	S	S 1102	72	30'-0"		11476	S	S 1101	180	21'-0"	20083	S	S 1102	72	30'-0"	11476	S	S 1101	180	21'-0"	20083	S			A 603	60	19'-6"	1797	B				P 1120	192	26'-2"	26693				S		S 1102	72	30'-0"			11476	S	S 1101	180	21'-0"	20083		S	S 1102	72	30'-0"	11476	S	S 1101	180	21'-0"	20083	S	S 1102	72	30'-0"	11476	S		A 604		60	18'-11"	1705	B				P 1121	88	25'-0"	11689				S		S 1101	180	21'-0"			20083	S	S 1102	72	30'-0"	11476		S	S 1101	180	21'-0"	20083	S	S 1102	72	30'-0"	11476	S	S 1101	180	21'-0"	20083	S		A 605		32	9'-4"	449	B				P 1122	264	24'-6"	34364				S		S 1102	72	30'-0"	11476			S	S 1101	180	21'-0"	20083	S		S 1102	72	30'-0"	11476	S	S 1101	180	21'-0"	20083	S	S 1102	72	30'-0"	11476	S			A 606	44	5'-4"	352			B																																																																																																																																																																																																																																																																																																																	
S 609	2116	10'-0"	31782	S		S 610	3744	37'-6"	210881	S			S 611	420	13'-10"	8727	S				A 512	24	3'-10"	96	S				P 1001	220	24'-0"	22720	S				S 612	2304	32'-0"	110739	S			S 701	2849	35'-10"	208670	S			A 513	48	9'-4"	487		S		P 1101	220			38'-10"		45391	B			S 702		2849	33'-10"		197023	S		S 801	888	4'-4"		10274	S		A 514	12	13'-2"	165		S		P 1102		220		32'-10"		38377	B		S 802		592		6'-0"	9484		S	S 803	592		6'-6"		10274	S	S 901	480	30'-0"	48960	S		A 515	12	9'-0"	113			S		P 1103	528	20'-0"	56105				S		S 1001	918	21'-0"	82953				S	S 1002	420	30'-0"	34218	S		S 1003	36	14'-0"	2169	S	S 1101	180	21'-0"	20083	S		S 1102	72	30'-0"	11476	S		A 516	24	5'-6"		138	S			P 1104	220	44'-0"	51430		S				S 801	888	4'-4"	10274	S			S 802	592	6'-0"	9484	S		S 803	592	6'-6"	10274	S	S 901	480	30'-0"	48960	S	S 1001		918	21'-0"	82953	S		A 517	12	19'-5"		243	S			P 1105	1144	17'-0"	103327		S				S 1002	420	30'-0"	34218	S			S 1003	36	14'-0"	2169	S		S 1101	180	21'-0"	20083	S	S 1102	72	30'-0"	11476	S	S 1101	180		21'-0"	20083	S		A 518	8	8'-7"	72	B				P 1106	1144	13'-3"	80534	S					S 1102	72	30'-0"	11476	S			S 1101	180	21'-0"	20083	S		S 1102	72	30'-0"	11476	S	S 1101	180	21'-0"	20083	S	S 1102	72	30'-0"		11476	S		A 519	4	8'-11"	37	B				P 1107	104	13'-0"	7183	S					S 1101	180	21'-0"	20083	S			S 1102	72	30'-0"	11476	S	S 1101		180	21'-0"	20083	S	S 1102	72	30'-0"	11476	S	S 1101	180	21'-0"	20083	S			A 520	4	10'-1"	42		B			P 1108	104	15'-9"	8703	S					S 1102	72	30'-0"	11476	S			S 1101	180	21'-0"	20083	S	S 1102		72	30'-0"	11476	S	S 1101	180	21'-0"	20083	S	S 1102	72	30'-0"	11476	S			A 521	4	11'-1"	46		B			P 1109	104	18'-0"	9946	S					S 1101	180	21'-0"	20083	S		S 1102		72	30'-0"	11476	S	S 1101	180		21'-0"	20083	S	S 1102	72	30'-0"	11476	S	S 1101	180	21'-0"	20083	S			A 522	12	4'-7"	57		B			P 1110	104	20'-3"	11189	S					S 1102	72	30'-0"	11476	S		S 1101		180	21'-0"	20083	S	S 1102	72		30'-0"	11476	S	S 1101	180	21'-0"	20083	S	S 1102	72	30'-0"	11476	S			A 523	16	5'-11"	99		B			P 1111	176	22'-6"	21039	S					S 1101	180	21'-0"	20083	S		S 1102	72		30'-0"	11476	S	S 1101	180	21'-0"		20083	S	S 1102	72	30'-0"	11476	S	S 1101	180	21'-0"	20083	S			A 524	12	6'-5"	90		B			P 1112	104	25'-2"	13908	S				S 1102		72	30'-0"	11476		S	S 1101	180		21'-0"	20083	S	S 1102	72	30'-0"		11476	S	S 1101	180	21'-0"	20083	S	S 1102	72	30'-0"	11476	S			A 525	16	6'-9"	113		B			P 1113	176	25'-6"	23845		S			S 1101		180	21'-0"	20083		S	S 1102	72	30'-0"		11476	S	S 1101	180	21'-0"		20083	S	S 1102	72	30'-0"	11476	S	S 1101	180	21'-0"	20083	S			A 526	24	17'-1"	428		S			P 1114	176	26'-6"	24780		S			S 1102	72		30'-0"	11476		S	S 1101	180	21'-0"		20083	S	S 1102	72	30'-0"		11476	S	S 1101	180	21'-0"	20083	S	S 1102	72	30'-0"	11476	S			A 527	4	12'-6"	52		S			P 1115	104	27'-1"	14963		S			S 1101	180		21'-0"	20083		S	S 1102	72	30'-0"		11476	S	S 1101	180	21'-0"		20083	S	S 1102	72	30'-0"	11476	S	S 1101	180	21'-0"	20083	S		A 528		48	6'-11"	346		B		P 1116		104	27'-9"	15333		S		S 1102	72		30'-0"		11476		S	S 1101	180	21'-0"		20083	S	S 1102	72	30'-0"		11476	S	S 1101	180	21'-0"	20083	S	S 1102	72	30'-0"	11476	S		A 529		16	17'-1"	*		S		P 1117		2024	32'-0"	344112		S		S 1101	180			21'-0"	20083		S	S 1102	72	30'-0"		11476	S	S 1101	180	21'-0"		20083	S	S 1102	72	30'-0"	11476	S	S 1101	180	21'-0"	20083	S		A 601	36	13'-2"		1899		B		P 1118	88	29'-6"		13793		S		S 1102	72			30'-0"	11476		S	S 1101	180	21'-0"		20083	S	S 1102	72	30'-0"		11476	S	S 1101	180	21'-0"	20083	S	S 1102	72	30'-0"	11476	S		A 602	8	21'-1"	253			B		P 1119	176	28'-6"			26650	S		S 1101	180			21'-0"	20083		S	S 1102	72	30'-0"		11476	S	S 1101	180	21'-0"		20083	S	S 1102	72	30'-0"	11476	S	S 1101	180	21'-0"	20083	S		A 603	60	19'-6"	1797			B		P 1120	192	26'-2"			26693	S		S 1102	72			30'-0"	11476		S	S 1101	180	21'-0"		20083	S	S 1102	72	30'-0"	11476		S	S 1101	180	21'-0"	20083	S	S 1102	72	30'-0"	11476	S		A 604	60	18'-11"	1705		B			P 1121	88	25'-0"			11689	S		S 1101	180			21'-0"	20083		S	S 1102	72	30'-0"		11476	S	S 1101	180	21'-0"	20083		S	S 1102	72	30'-0"	11476	S	S 1101	180	21'-0"	20083	S		A 605	32	9'-4"	449		B			P 1122	264	24'-6"			34364	S		S 1102	72			30'-0"	11476		S	S 1101	180	21'-0"	20083		S	S 1102	72	30'-0"	11476	S		S 1101	180	21'-0"	20083	S	S 1102	72	30'-0"	11476	S		A 606	44	5'-4"	352			B																																																																																																																																																																																																																																																																																																																							
S 610	3744	37'-6"	210881	S		S 611	420	13'-10"	8727	S			A 512	24	3'-10"	96	S				P 1001	220	24'-0"	22720	S				S 612	2304	32'-0"	110739	S				S 701	2849	35'-10"	208670	S				A 513	48	9'-4"	487			S		P 1101	220		38'-10"		45391	B			S 702		2849	33'-10"		197023	S		S 801	888		4'-4"	10274	S		A 514	12		13'-2"	165		S		P 1102	220		32'-10"		38377	B			S 802		592	6'-0"		9484	S	S 803		592	6'-6"		10274	S	S 901	480	30'-0"		48960	S		A 515	12	9'-0"	113		S		P 1103	528	20'-0"		56105		S		S 1001	918	21'-0"			82953		S	S 1002	420	30'-0"		34218		S	S 1003	36	14'-0"	2169	S		S 1101	180	21'-0"	20083	S	S 1102	72	30'-0"	11476	S		A 516	24	5'-6"	138	S			P 1104	220	44'-0"	51430	S				S 801	888	4'-4"	10274	S				S 802	592	6'-0"	9484	S			S 803	592	6'-6"	10274	S		S 901	480	30'-0"	48960	S	S 1001	918	21'-0"	82953	S		A 517	12	19'-5"	243	S			P 1105	1144	17'-0"	103327	S				S 1002	420	30'-0"	34218	S				S 1003	36	14'-0"	2169	S			S 1101	180	21'-0"	20083	S		S 1102	72	30'-0"	11476	S	S 1101	180	21'-0"	20083	S		A 518	8	8'-7"	72	B			P 1106	1144	13'-3"	80534	S				S 1102	72	30'-0"	11476	S				S 1101	180	21'-0"	20083	S			S 1102	72	30'-0"	11476	S		S 1101	180	21'-0"	20083	S	S 1102	72	30'-0"	11476	S		A 519	4	8'-11"	37	B			P 1107	104	13'-0"	7183	S				S 1101	180	21'-0"	20083	S				S 1102	72	30'-0"	11476	S			S 1101	180	21'-0"	20083	S	S 1102		72	30'-0"	11476	S	S 1101	180	21'-0"	20083	S		A 520	4	10'-1"	42	B			P 1108	104	15'-9"		8703	S			S 1102	72	30'-0"	11476	S				S 1101	180	21'-0"	20083	S			S 1102	72	30'-0"	11476	S	S 1101		180	21'-0"	20083	S	S 1102	72	30'-0"	11476	S		A 521	4	11'-1"	46	B			P 1109	104	18'-0"		9946	S			S 1101	180	21'-0"	20083	S				S 1102	72	30'-0"	11476	S		S 1101		180	21'-0"	20083	S	S 1102	72		30'-0"	11476	S	S 1101	180	21'-0"	20083	S		A 522	12	4'-7"	57		B		P 1110	104	20'-3"		11189	S			S 1102	72	30'-0"	11476	S				S 1101	180	21'-0"	20083	S		S 1102		72	30'-0"	11476	S	S 1101	180		21'-0"	20083	S	S 1102	72	30'-0"	11476	S		A 523	16	5'-11"	99		B		P 1111	176	22'-6"		21039	S			S 1101	180	21'-0"	20083	S				S 1102	72	30'-0"	11476	S		S 1101	180		21'-0"	20083	S	S 1102	72	30'-0"		11476	S	S 1101	180	21'-0"	20083	S		A 524	12	6'-5"	90		B		P 1112	104	25'-2"		13908	S			S 1102	72	30'-0"	11476		S		S 1101		180	21'-0"	20083		S	S 1102	72		30'-0"	11476	S	S 1101	180	21'-0"		20083	S	S 1102	72	30'-0"	11476	S		A 525	16	6'-9"	113		B		P 1113	176	25'-6"		23845	S			S 1101	180	21'-0"		20083	S		S 1102		72	30'-0"	11476		S	S 1101	180	21'-0"		20083	S	S 1102	72	30'-0"		11476	S	S 1101	180	21'-0"	20083	S		A 526	24	17'-1"	428		S		P 1114	176	26'-6"		24780		S		S 1102	72	30'-0"		11476	S		S 1101	180		21'-0"	20083		S	S 1102	72	30'-0"		11476	S	S 1101	180	21'-0"		20083	S	S 1102	72	30'-0"	11476	S		A 527	4	12'-6"	52		S		P 1115	104	27'-1"		14963		S		S 1101	180	21'-0"		20083		S	S 1102	72		30'-0"	11476		S	S 1101	180	21'-0"		20083	S	S 1102	72	30'-0"		11476	S	S 1101	180	21'-0"	20083	S		A 528	48	6'-11"	346		B		P 1116	104	27'-9"		15333		S		S 1102	72	30'-0"		11476		S	S 1101	180	21'-0"		20083		S	S 1102	72	30'-0"		11476	S	S 1101	180	21'-0"		20083	S	S 1102	72	30'-0"	11476	S		A 529	16	17'-1"	*		S		P 1117	2024	32'-0"		344112		S		S 1101	180	21'-0"		20083		S	S 1102		72	30'-0"	11476		S	S 1101	180	21'-0"		20083	S	S 1102	72	30'-0"		11476	S	S 1101	180	21'-0"	20083	S		A 601	36	13'-2"	1899		B		P 1118	88	29'-6"		13793		S		S 1102	72	30'-0"		11476		S	S 1101		180	21'-0"	20083		S	S 1102	72	30'-0"		11476	S	S 1101	180	21'-0"		20083	S	S 1102	72	30'-0"	11476	S		A 602	8	21'-1"	253		B		P 1119	176	28'-6"		26650		S		S 1101		180	21'-0"	20083		S	S 1102		72	30'-0"	11476		S	S 1101	180	21'-0"		20083	S	S 1102	72	30'-0"		11476	S	S 1101	180	21'-0"	20083	S		A 603	60	19'-6"	1797		B		P 1120	192		26'-2"	26693		S		S 1102		72	30'-0"	11476		S	S 1101		180	21'-0"	20083		S	S 1102	72	30'-0"		11476	S	S 1101	180	21'-0"	20083		S	S 1102	72	30'-0"	11476	S		A 604	60	18'-11"	1705		B		P 1121	88		25'-0"	11689		S		S 1101		180	21'-0"	20083		S	S 1102		72	30'-0"	11476		S	S 1101	180	21'-0"		20083	S	S 1102	72	30'-0"	11476		S	S 1101	180	21'-0"	20083	S		A 605	32	9'-4"	449		B		P 1122	264		24'-6"	34364		S		S 1102		72	30'-0"	11476		S	S 1101		180	21'-0"	20083		S	S 1102	72	30'-0"	11476		S	S 1101	180	21'-0"	20083	S		S 1102	72	30'-0"	11476	S		A 606	44	5'-4"	352		B																																																																																																																																																																																																																																																																																																																													
S 611	420	13'-10"	8727	S		A 512	24	3'-10"	96	S			P 1001	220	24'-0"	22720	S																																																																																																																																																																																																																																																																																																																																																																																																																																																																																																																																																																																																																																																																																																																																																																																																																																																																																																																																																																																																																																																																																																																																																																																																																																																																																																																																																																																																																
S 612	2304	32'-0"	110739	S		S 701	2849	35'-10"	208670	S				A 513	48	9'-4"	487				S		P 1101	220	38'-10"				45391	B		S 702	2849			33'-10"	197023	S	S 801	888	4'-4"		10274		S		A 514	12	13'-2"		165		S			P 1102		220	32'-10"		38377	B			S 802		592	6'-0"	9484	S	S 803		592	6'-6"	10274		S	S 901	480	30'-0"	48960		S			A 515		12		9'-0"	113		S			P 1103	528		20'-0"	56105	S		S 1001	918		21'-0"	82953	S	S 1002	420	30'-0"	34218	S		S 1003	36	14'-0"	2169		S		S 1101	180	21'-0"		20083		S		S 1102	72	30'-0"	11476		S			A 516	24	5'-6"	138	S			P 1104	220	44'-0"	51430	S		S 801	888	4'-4"	10274	S	S 802	592	6'-0"	9484	S		S 803	592	6'-6"	10274	S			S 901	480	30'-0"	48960	S				S 1001	918	21'-0"	82953	S				A 517	12	19'-5"	243	S			P 1105	1144	17'-0"	103327	S		S 1002	420	30'-0"	34218	S	S 1003	36	14'-0"	2169	S		S 1101	180	21'-0"	20083	S			S 1102	72	30'-0"	11476	S				S 1101	180	21'-0"	20083	S				A 518	8	8'-7"	72	B			P 1106	1144	13'-3"	80534	S		S 1102	72	30'-0"	11476	S	S 1101	180	21'-0"	20083	S		S 1102	72	30'-0"	11476	S			S 1101	180	21'-0"	20083	S				S 1102	72	30'-0"	11476	S				A 519	4	8'-11"	37	B			P 1107	104	13'-0"	7183	S		S 1101	180	21'-0"	20083	S	S 1102	72	30'-0"	11476	S		S 1101	180	21'-0"	20083	S			S 1102	72	30'-0"	11476	S				S 1101	180	21'-0"	20083	S				A 520	4	10'-1"	42	B			P 1108	104	15'-9"	8703	S		S 1102	72	30'-0"	11476	S	S 1101	180	21'-0"	20083	S		S 1102	72	30'-0"	11476	S			S 1101	180	21'-0"		20083	S			S 1102	72	30'-0"	11476	S				A 521	4	11'-1"	46	B			P 1109	104	18'-0"	9946	S		S 1101	180	21'-0"	20083	S	S 1102	72	30'-0"	11476	S		S 1101	180	21'-0"	20083	S			S 1102	72	30'-0"		11476	S			S 1101	180	21'-0"	20083	S				A 522	12	4'-7"	57	B			P 1110	104	20'-3"	11189	S		S 1102	72	30'-0"	11476	S	S 1101	180	21'-0"	20083	S		S 1102	72	30'-0"	11476		S		S 1101	180	21'-0"		20083	S			S 1102	72	30'-0"	11476	S				A 523	16	5'-11"	99	B			P 1111	176	22'-6"	21039	S		S 1101	180	21'-0"	20083	S	S 1102	72	30'-0"	11476	S		S 1101	180	21'-0"	20083		S		S 1102	72	30'-0"		11476	S			S 1101	180	21'-0"	20083	S				A 524	12	6'-5"	90	B			P 1112	104	25'-2"	13908	S		S 1102	72	30'-0"	11476	S	S 1101	180	21'-0"	20083	S		S 1102	72	30'-0"	11476		S		S 1101	180	21'-0"		20083	S			S 1102	72	30'-0"	11476		S			A 525	16	6'-9"	113		B		P 1113	176	25'-6"	23845	S		S 1101	180	21'-0"	20083	S	S 1102	72	30'-0"	11476	S		S 1101	180	21'-0"	20083		S		S 1102	72	30'-0"		11476	S			S 1101	180	21'-0"		20083	S			A 526	24	17'-1"	428		S		P 1114	176	26'-6"	24780	S		S 1102	72	30'-0"	11476	S	S 1101	180	21'-0"	20083	S		S 1102	72	30'-0"	11476		S		S 1101	180	21'-0"		20083		S		S 1102	72	30'-0"		11476	S			A 527	4	12'-6"	52		S		P 1115	104	27'-1"	14963	S		S 1101	180	21'-0"	20083	S	S 1102	72	30'-0"	11476	S		S 1101	180	21'-0"	20083		S		S 1102	72	30'-0"		11476		S		S 1101	180	21'-0"		20083		S		A 528	48	6'-11"	346		B		P 1116	104	27'-9"	15333	S		S 1102	72	30'-0"	11476	S	S 1101	180	21'-0"	20083	S		S 1102	72	30'-0"	11476		S		S 1101	180	21'-0"		20083		S		S 1102	72	30'-0"		11476		S		A 529	16	17'-1"	*		S		P 1117	2024	32'-0"	344112	S		S 1101	180	21'-0"	20083	S	S 1102	72	30'-0"	11476	S		S 1101	180	21'-0"	20083		S		S 1102	72	30'-0"		11476		S		S 1101	180	21'-0"		20083		S		A 601	36	13'-2"	1899		B		P 1118	88	29'-6"	13793	S		S 1102	72	30'-0"	11476	S	S 1101	180	21'-0"	20083	S		S 1102	72	30'-0"	11476		S		S 1101	180	21'-0"		20083		S		S 1102	72	30'-0"		11476		S		A 602	8	21'-1"	253		B		P 1119	176	28'-6"	26650	S		S 1101	180	21'-0"	20083	S	S 1102	72	30'-0"	11476	S		S 1101	180	21'-0"	20083		S		S 1102	72	30'-0"		11476		S		S 1101		180	21'-0"	20083		S		A 603	60	19'-6"	1797		B		P 1120	192	26'-2"	26693	S		S 1102	72	30'-0"	11476	S	S 1101	180	21'-0"	20083	S		S 1102	72	30'-0"	11476		S		S 1101	180		21'-0"	20083		S		S 1102		72	30'-0"	11476		S		A 604	60	18'-11"	1705		B		P 1121	88	25'-0"	11689	S		S 1101	180	21'-0"	20083	S	S 1102	72	30'-0"	11476	S		S 1101	180	21'-0"	20083		S		S 1102	72		30'-0"	11476		S		S 1101		180	21'-0"	20083		S		A 605	32	9'-4"	449		B		P 1122	264	24'-6"	34364	S		S 1102	72	30'-0"	11476	S	S 1101	180	21'-0"	20083	S		S 1102	72	30'-0"	11476		S		S 1101	180		21'-0"	20083		S		S 1102		72	30'-0"	11476		S		A 606	44	5'-4"	352		B																																																																																																																																																																																																																																																																																																																																																					
S 701	2849	35'-10"	208670	S			A 513	48	9'-4"	487				S		P 1101	220				38'-10"		45391	B																																																																																																																																																																																																																																																																																																																																																																																																																																																																																																																																																																																																																																																																																																																																																																																																																																																																																																																																																																																																																																																																																																																																																																																																																																																																																																																																																																																																									
S 702	2849	33'-10"	197023	S			S 801	888	4'-4"	10274				S			A 514	12			13'-2"		165	S				P 1102	220	32'-10"		38377	B		S 802	592	6'-0"	9484	S	S 803	592	6'-6"	10274		S		S 901	480	30'-0"	48960	S				A 515	12	9'-0"	113	S			P 1103	528		20'-0"	56105	S		S 1001	918	21'-0"	82953	S	S 1002	420		30'-0"	34218	S	S 1003	36	14'-0"	2169			S	S 1101	180	21'-0"	20083	S		S 1102		72	30'-0"	11476	S		A 516	24		5'-6"	138	S		P 1104	220	44'-0"	51430	S		S 801		888	4'-4"	10274	S	S 802	592		6'-0"	9484	S	S 803	592	6'-6"	10274		S	S 901	480	30'-0"	48960	S	S 1001		918	21'-0"	82953	S		A 517		12	19'-5"	243	S			P 1105	1144	17'-0"	103327	S		S 1002	420	30'-0"	34218		S	S 1003	36	14'-0"	2169	S		S 1101	180	21'-0"	20083	S	S 1102	72		30'-0"	11476	S	S 1101	180	21'-0"	20083		S		A 518	8	8'-7"	72		B		P 1106	1144	13'-3"		80534	S		S 1102	72	30'-0"	11476	S	S 1101	180		21'-0"	20083	S	S 1102	72	30'-0"		11476	S	S 1101	180	21'-0"	20083	S		S 1102	72	30'-0"	11476	S		A 519		4	8'-11"	37	B		P 1107		104	13'-0"	7183	S			S 1101	180	21'-0"	20083	S	S 1102	72	30'-0"	11476	S		S 1101	180	21'-0"	20083	S	S 1102		72	30'-0"	11476	S	S 1101	180	21'-0"		20083	S		A 520	4	10'-1"	42		B		P 1108	104	15'-9"	8703		S		S 1102	72	30'-0"		11476	S	S 1101	180	21'-0"	20083	S	S 1102	72	30'-0"		11476	S	S 1101	180	21'-0"	20083		S	S 1102	72	30'-0"	11476	S			A 521	4	11'-1"	46	B		P 1109		104	18'-0"	9946	S		S 1101		180	21'-0"	20083	S	S 1102		72	30'-0"	11476	S	S 1101	180	21'-0"	20083	S	S 1102		72	30'-0"	11476	S	S 1101	180		21'-0"	20083	S		A 522	12	4'-7"		57	B		P 1110	104	20'-3"	11189		S		S 1102	72	30'-0"	11476		S	S 1101	180	21'-0"	20083		S	S 1102	72	30'-0"	11476	S	S 1101	180	21'-0"	20083		S	S 1102	72	30'-0"	11476	S			A 523	16	5'-11"	99	B			P 1111	176	22'-6"	21039	S		S 1101		180	21'-0"	20083	S	S 1102	72		30'-0"	11476	S	S 1101	180		21'-0"	20083	S	S 1102	72	30'-0"	11476	S	S 1101	180		21'-0"	20083	S		A 524	12		6'-5"	90	B		P 1112	104	25'-2"		13908	S		S 1102	72	30'-0"	11476		S	S 1101	180	21'-0"	20083	S		S 1102	72	30'-0"	11476	S		S 1101	180	21'-0"	20083	S	S 1102	72	30'-0"	11476	S			A 525	16	6'-9"	113	B			P 1113	176	25'-6"	23845	S			S 1101	180	21'-0"	20083	S	S 1102	72		30'-0"	11476	S	S 1101	180	21'-0"		20083	S	S 1102	72	30'-0"		11476	S	S 1101	180	21'-0"	20083	S		A 526	24		17'-1"	428	S		P 1114	176		26'-6"	24780	S		S 1102	72	30'-0"		11476	S	S 1101	180	21'-0"	20083	S		S 1102	72	30'-0"	11476	S	S 1101		180	21'-0"	20083	S	S 1102		72	30'-0"	11476	S		A 527	4	12'-6"	52	S			P 1115	104	27'-1"	14963	S			S 1101	180	21'-0"	20083	S	S 1102		72	30'-0"	11476	S	S 1101	180	21'-0"		20083	S	S 1102	72	30'-0"	11476		S	S 1101	180	21'-0"	20083		S		A 528	48	6'-11"	346	B		P 1116	104		27'-9"	15333	S		S 1102	72		30'-0"	11476	S	S 1101	180	21'-0"	20083		S	S 1102	72	30'-0"	11476	S	S 1101		180	21'-0"	20083	S	S 1102	72		30'-0"	11476	S		A 529		16	17'-1"	*	S		P 1117	2024	32'-0"	344112	S			S 1101	180	21'-0"	20083	S		S 1102	72	30'-0"	11476	S	S 1101	180		21'-0"	20083	S	S 1102	72	30'-0"	11476		S	S 1101	180	21'-0"	20083	S			A 601	36	13'-2"	1899		B		P 1118	88	29'-6"	13793	S		S 1102	72		30'-0"	11476	S	S 1101	180	21'-0"		20083	S	S 1102	72	30'-0"	11476	S		S 1101	180	21'-0"	20083	S	S 1102	72		30'-0"	11476	S		A 602	8		21'-1"	253	B		P 1119		176	28'-6"	26650	S		S 1101	180	21'-0"	20083	S		S 1102	72	30'-0"	11476	S	S 1101		180	21'-0"	20083	S	S 1102	72	30'-0"		11476	S	S 1101	180	21'-0"	20083	S			A 603	60	19'-6"	1797	B			P 1120	192	26'-2"	26693		S		S 1102	72	30'-0"	11476	S	S 1101	180	21'-0"		20083	S	S 1102	72	30'-0"	11476		S	S 1101	180	21'-0"	20083	S	S 1102		72	30'-0"	11476	S		A 604	60		18'-11"	1705	B		P 1121	88		25'-0"	11689	S		S 1101		180	21'-0"	20083	S	S 1102	72	30'-0"	11476	S	S 1101		180	21'-0"	20083	S	S 1102	72		30'-0"	11476	S	S 1101	180	21'-0"	20083		S		A 605	32	9'-4"	449	B			P 1122	264	24'-6"	34364	S			S 1102	72	30'-0"	11476		S	S 1101	180	21'-0"	20083	S	S 1102	72	30'-0"	11476		S	S 1101	180	21'-0"	20083	S		S 1102	72	30'-0"	11476	S		A 606		44	5'-4"	352	B																																																																																																																																																																																																																																																																																																																																																																																																																																																													
S 801	888	4'-4"	10274	S				A 514	12	13'-2"	165			S				P 1102	220		32'-10"		38377	B																																																																																																																																																																																																																																																																																																																																																																																																																																																																																																																																																																																																																																																																																																																																																																																																																																																																																																																																																																																																																																																																																																																																																																																																																																																																																																																																																																																																									
S 802	592	6'-0"	9484	S	S 803			592	6'-6"	10274	S	S 901		480				30'-0"	48960	S			A 515	12				9'-0"	113	S			P 1103		528	20'-0"	56105	S		S 1001	918	21'-0"	82953	S	S 1002		420	30'-0"	34218	S	S 1003	36			14'-0"	2169	S	S 1101	180	21'-0"		20083	S		S 1102	72	30'-0"		11476	S		A 516	24	5'-6"	138	S		P 1104	220	44'-0"	51430	S		S 801		888	4'-4"	10274	S	S 802	592	6'-0"	9484		S	S 803	592	6'-6"		10274	S		S 901	480	30'-0"		48960	S	S 1001	918	21'-0"		82953	S		A 517	12	19'-5"	243	S		P 1105	1144	17'-0"	103327	S		S 1002	420	30'-0"	34218	S	S 1003	36	14'-0"	2169		S	S 1101	180	21'-0"		20083		S	S 1102	72	30'-0"			11476	S	S 1101	180	21'-0"		20083	S		A 518	8	8'-7"	72	B		P 1106	1144	13'-3"	80534	S		S 1102	72	30'-0"	11476	S	S 1101	180	21'-0"	20083	S	S 1102	72		30'-0"		11476	S	S 1101	180		21'-0"		20083	S	S 1102		72	30'-0"		11476	S		A 519	4	8'-11"	37	B		P 1107	104	13'-0"	7183	S		S 1101	180	21'-0"	20083	S	S 1102	72	30'-0"	11476	S	S 1101	180	21'-0"		20083		S	S 1102	72	30'-0"		11476		S	S 1101	180	21'-0"			20083	S		A 520	4	10'-1"	42	B		P 1108	104	15'-9"	8703	S		S 1102	72	30'-0"	11476	S	S 1101	180	21'-0"	20083	S	S 1102	72	30'-0"		11476	S	S 1101	180		21'-0"		20083	S	S 1102	72		30'-0"		11476	S			A 521	4	11'-1"	46	B		P 1109	104	18'-0"	9946	S		S 1101	180	21'-0"	20083	S	S 1102	72	30'-0"	11476	S	S 1101	180		21'-0"	20083	S	S 1102	72	30'-0"		11476		S	S 1101	180	21'-0"		20083		S		A 522	12	4'-7"		57	B		P 1110	104	20'-3"	11189	S		S 1102	72	30'-0"	11476	S	S 1101	180	21'-0"	20083	S	S 1102	72		30'-0"	11476	S	S 1101	180	21'-0"		20083	S	S 1102	72		30'-0"		11476	S		A 523		16	5'-11"	99	B			P 1111	176	22'-6"	21039	S		S 1101	180	21'-0"	20083	S	S 1102	72	30'-0"	11476	S	S 1101	180		21'-0"	20083	S	S 1102	72		30'-0"	11476	S	S 1101	180	21'-0"		20083		S		A 524	12	6'-5"	90		B		P 1112	104	25'-2"		13908	S		S 1102	72	30'-0"	11476	S	S 1101	180	21'-0"	20083	S	S 1102		72	30'-0"	11476	S	S 1101	180		21'-0"	20083	S	S 1102	72	30'-0"		11476	S		A 525		16	6'-9"	113	B		P 1113		176	25'-6"	23845	S			S 1101	180	21'-0"	20083	S	S 1102	72	30'-0"	11476	S	S 1101		180	21'-0"	20083	S	S 1102	72		30'-0"	11476	S	S 1101	180		21'-0"	20083	S		A 526	24	17'-1"	428		S		P 1114	176	26'-6"	24780		S		S 1102	72	30'-0"		11476	S	S 1101	180	21'-0"	20083	S		S 1102	72	30'-0"	11476	S	S 1101		180	21'-0"	20083	S	S 1102	72		30'-0"	11476	S		A 527	4	12'-6"	52	S		P 1115		104	27'-1"	14963	S		S 1101		180	21'-0"	20083	S	S 1102		72	30'-0"	11476	S		S 1101	180	21'-0"	20083	S	S 1102		72	30'-0"	11476	S	S 1101	180		21'-0"	20083	S		A 528	48	6'-11"	346	B		P 1116	104	27'-9"	15333		S		S 1102	72	30'-0"	11476		S	S 1101	180	21'-0"	20083		S		S 1102	72	30'-0"	11476	S		S 1101	180	21'-0"	20083	S	S 1102		72	30'-0"	11476	S		A 529	16	17'-1"	*	S		P 1117	2024	32'-0"	344112	S		S 1101		180	21'-0"	20083	S	S 1102	72		30'-0"	11476	S		S 1101		180	21'-0"	20083	S		S 1102	72	30'-0"	11476	S	S 1101		180	21'-0"	20083	S		A 601	36	13'-2"	1899	B		P 1118	88	29'-6"	13793	S		S 1102	72	30'-0"	11476		S	S 1101	180	21'-0"	20083	S			S 1102	72	30'-0"	11476		S		S 1101	180	21'-0"	20083	S		S 1102	72	30'-0"	11476	S		A 602	8	21'-1"	253	B		P 1119	176	28'-6"	26650	S		S 1101	180	21'-0"	20083	S	S 1102	72		30'-0"	11476	S		S 1101	180		21'-0"	20083	S		S 1102		72	30'-0"	11476	S		S 1101	180	21'-0"	20083	S		A 603	60	19'-6"	1797	B		P 1120	192	26'-2"	26693	S		S 1102	72	30'-0"	11476	S	S 1101	180	21'-0"	20083	S			S 1102	72	30'-0"	11476	S			S 1101	180	21'-0"	20083		S		S 1102	72	30'-0"	11476	S		A 604	60	18'-11"	1705	B		P 1121	88	25'-0"	11689	S		S 1101	180	21'-0"	20083	S	S 1102	72	30'-0"	11476	S		S 1101	180		21'-0"	20083	S		S 1102	72		30'-0"	11476	S		S 1101		180	21'-0"	20083	S		A 605	32	9'-4"	449	B		P 1122	264	24'-6"	34364	S		S 1102	72	30'-0"	11476	S	S 1101	180	21'-0"	20083	S		S 1102	72	30'-0"	11476	S			S 1101	180	21'-0"	20083	S			S 1102	72	30'-0"	11476		S		A 606	44	5'-4"	352	B																																																																																																																																																																																																																																																																																																																																																																																																																																																																																				
S 803	592	6'-6"	10274	S	S 901			480	30'-0"	48960	S		A 515	12				9'-0"	113	S			P 1103	528				20'-0"	56105	S			S 1001		918	21'-0"	82953	S		S 1002	420	30'-0"	34218	S	S 1003	36	14'-0"	2169	S	S 1101	180	21'-0"		20083	S	S 1102	72	30'-0"	11476	S			A 516	24	5'-6"	138	S			P 1104		220	44'-0"	51430	S			S 801	888	4'-4"	10274	S		S 802	592	6'-0"	9484	S	S 803	592	6'-6"	10274	S	S 901	480	30'-0"	48960	S		S 1001	918	21'-0"	82953	S			A 517	12	19'-5"	243	S			P 1105		1144	17'-0"	103327	S			S 1002	420	30'-0"	34218	S		S 1003	36	14'-0"	2169	S	S 1101	180	21'-0"	20083	S	S 1102	72	30'-0"	11476		S	S 1101	180	21'-0"	20083	S			A 518	8	8'-7"	72	B			P 1106		1144	13'-3"	80534	S			S 1102	72	30'-0"	11476	S		S 1101	180	21'-0"	20083	S	S 1102	72	30'-0"	11476	S	S 1101	180	21'-0"	20083		S	S 1102	72	30'-0"	11476	S			A 519	4	8'-11"	37	B			P 1107		104	13'-0"	7183	S			S 1101	180	21'-0"	20083	S		S 1102	72	30'-0"	11476	S	S 1101	180	21'-0"	20083	S	S 1102	72	30'-0"		11476	S	S 1101	180	21'-0"	20083		S		A 520	4	10'-1"	42		B		P 1108		104	15'-9"	8703	S			S 1102	72	30'-0"	11476	S		S 1101	180	21'-0"	20083	S	S 1102	72	30'-0"	11476	S	S 1101	180	21'-0"		20083	S	S 1102	72	30'-0"	11476		S		A 521	4	11'-1"	46		B			P 1109	104	18'-0"	9946	S			S 1101	180	21'-0"	20083	S		S 1102	72	30'-0"	11476	S	S 1101	180	21'-0"	20083	S	S 1102	72		30'-0"	11476	S	S 1101	180	21'-0"		20083	S		A 522	12	4'-7"		57	B			P 1110	104	20'-3"	11189	S			S 1102	72	30'-0"	11476	S		S 1101	180	21'-0"	20083	S	S 1102	72	30'-0"	11476	S	S 1101	180		21'-0"	20083	S	S 1102	72	30'-0"		11476	S		A 523	16	5'-11"		99	B			P 1111	176	22'-6"	21039	S			S 1101	180	21'-0"	20083	S		S 1102	72	30'-0"	11476	S	S 1101	180	21'-0"	20083	S	S 1102	72		30'-0"	11476	S	S 1101	180		21'-0"	20083	S		A 524	12		6'-5"	90	B			P 1112	104	25'-2"	13908	S			S 1102	72	30'-0"	11476	S		S 1101	180	21'-0"	20083	S	S 1102	72	30'-0"	11476	S	S 1101		180	21'-0"	20083	S	S 1102	72		30'-0"	11476	S		A 525	16		6'-9"	113		B		P 1113	176	25'-6"	23845		S		S 1101	180	21'-0"	20083		S	S 1102	72	30'-0"	11476	S	S 1101	180	21'-0"	20083	S	S 1102		72	30'-0"	11476	S	S 1101	180		21'-0"	20083	S		A 526		24	17'-1"	428		S		P 1114	176	26'-6"	24780		S		S 1102	72	30'-0"	11476		S	S 1101	180	21'-0"	20083	S	S 1102	72	30'-0"	11476	S		S 1101	180	21'-0"	20083	S	S 1102		72	30'-0"	11476	S		A 527		4	12'-6"	52		S		P 1115	104	27'-1"		14963	S		S 1101	180	21'-0"		20083	S	S 1102	72	30'-0"	11476	S	S 1101	180	21'-0"	20083	S		S 1102	72	30'-0"	11476	S	S 1101		180	21'-0"	20083	S		A 528		48	6'-11"	346		B		P 1116	104	27'-9"		15333	S		S 1102	72	30'-0"		11476	S	S 1101	180	21'-0"	20083	S	S 1102	72	30'-0"	11476	S		S 1101	180	21'-0"	20083	S		S 1102	72	30'-0"	11476	S			A 529	16	17'-1"	*		S		P 1117	2024	32'-0"		344112	S		S 1101	180		21'-0"	20083	S	S 1102	72	30'-0"	11476	S	S 1101	180	21'-0"	20083		S	S 1102	72	30'-0"	11476	S		S 1101	180	21'-0"	20083	S			A 601	36	13'-2"	1899		B		P 1118	88	29'-6"		13793	S		S 1102	72		30'-0"	11476	S	S 1101	180	21'-0"	20083	S	S 1102	72	30'-0"	11476		S	S 1101	180	21'-0"	20083	S		S 1102	72	30'-0"	11476	S			A 602	8	21'-1"	253		B		P 1119	176	28'-6"		26650	S		S 1101	180		21'-0"	20083	S	S 1102	72	30'-0"	11476	S	S 1101	180	21'-0"		20083	S	S 1102	72	30'-0"	11476		S	S 1101	180	21'-0"	20083	S			A 603	60	19'-6"	1797		B		P 1120	192	26'-2"		26693	S		S 1102	72		30'-0"	11476	S	S 1101	180	21'-0"	20083	S	S 1102	72	30'-0"		11476	S	S 1101	180	21'-0"	20083		S	S 1102	72	30'-0"	11476	S			A 604	60	18'-11"	1705		B		P 1121	88	25'-0"		11689	S		S 1101	180		21'-0"	20083	S	S 1102	72	30'-0"	11476	S	S 1101	180		21'-0"	20083	S	S 1102	72	30'-0"		11476	S	S 1101	180	21'-0"	20083		S		A 605	32	9'-4"	449		B		P 1122	264	24'-6"		34364	S		S 1102	72		30'-0"	11476	S	S 1101	180	21'-0"	20083	S	S 1102	72		30'-0"	11476	S	S 1101	180	21'-0"		20083	S	S 1102	72	30'-0"	11476		S		A 606	44	5'-4"	352		B																																																																																																																																																																																																																																																																																																																																																																																																																																																																																								
S 901	480	30'-0"	48960	S		A 515		12	9'-0"	113	S			P 1103	528			20'-0"	56105	S																																																																																																																																																																																																																																																																																																																																																																																																																																																																																																																																																																																																																																																																																																																																																																																																																																																																																																																																																																																																																																																																																																																																																																																																																																																																																																																																																																																																													
S 1001	918	21'-0"	82953	S		S 1002		420	30'-0"	34218	S			S 1003	36	14'-0"		2169	S	S 1101				180	21'-0"	20083		S	S 1102	72			30'-0"	11476	S		A 516	24		5'-6"	138	S		P 1104	220	44'-0"	51430	S		S 801	888	4'-4"	10274	S	S 802	592	6'-0"	9484	S	S 803	592		6'-6"	10274	S	S 901	480	30'-0"		48960		S	S 1001	918	21'-0"			82953	S		A 517	12		19'-5"	243	S		P 1105	1144	17'-0"	103327	S		S 1002	420	30'-0"	34218	S	S 1003	36	14'-0"	2169	S	S 1101		180	21'-0"	20083	S	S 1102	72	30'-0"		11476		S	S 1101	180	21'-0"			20083	S		A 518	8		8'-7"	72	B		P 1106	1144	13'-3"	80534	S		S 1102	72	30'-0"	11476	S	S 1101	180	21'-0"	20083	S	S 1102	72		30'-0"	11476	S	S 1101	180	21'-0"		20083		S	S 1102	72	30'-0"			11476	S		A 519	4		8'-11"	37	B		P 1107	104	13'-0"	7183	S		S 1101	180	21'-0"	20083	S	S 1102	72	30'-0"	11476	S	S 1101	180		21'-0"	20083	S	S 1102	72	30'-0"		11476		S	S 1101	180	21'-0"			20083	S		A 520	4		10'-1"	42	B		P 1108	104	15'-9"	8703	S		S 1102	72	30'-0"	11476	S	S 1101	180	21'-0"	20083	S	S 1102	72		30'-0"	11476	S	S 1101	180	21'-0"		20083		S	S 1102	72	30'-0"			11476	S		A 521	4		11'-1"	46	B		P 1109	104	18'-0"	9946	S		S 1101	180	21'-0"	20083	S	S 1102	72	30'-0"	11476	S	S 1101	180		21'-0"	20083	S	S 1102	72	30'-0"			11476	S	S 1101	180	21'-0"			20083	S		A 522	12		4'-7"	57	B		P 1110	104	20'-3"	11189	S		S 1102	72	30'-0"	11476	S	S 1101	180	21'-0"	20083	S	S 1102	72		30'-0"	11476	S	S 1101	180	21'-0"			20083	S	S 1102	72	30'-0"			11476	S		A 523	16		5'-11"	99	B		P 1111	176	22'-6"	21039	S		S 1101	180	21'-0"	20083	S	S 1102	72	30'-0"	11476	S	S 1101	180		21'-0"	20083	S	S 1102	72	30'-0"			11476	S	S 1101	180	21'-0"			20083	S		A 524	12		6'-5"	90	B		P 1112	104	25'-2"	13908	S		S 1102	72	30'-0"	11476	S	S 1101	180	21'-0"	20083	S	S 1102	72		30'-0"	11476	S	S 1101	180	21'-0"			20083	S	S 1102	72	30'-0"			11476	S		A 525	16		6'-9"	113	B		P 1113	176	25'-6"	23845	S		S 1101	180	21'-0"	20083	S	S 1102	72	30'-0"	11476	S	S 1101	180		21'-0"	20083	S	S 1102	72		30'-0"		11476	S	S 1101	180		21'-0"		20083	S		A 526		24	17'-1"	428	S		P 1114	176	26'-6"	24780	S		S 1102	72	30'-0"	11476	S	S 1101	180	21'-0"	20083	S	S 1102	72		30'-0"	11476	S	S 1101	180		21'-0"		20083	S	S 1102	72		30'-0"		11476	S		A 527		4	12'-6"	52	S		P 1115	104	27'-1"	14963	S		S 1101	180	21'-0"	20083	S	S 1102	72	30'-0"	11476	S	S 1101	180		21'-0"	20083	S	S 1102	72		30'-0"		11476	S	S 1101		180	21'-0"		20083	S			A 528	48	6'-11"	346	B		P 1116	104	27'-9"	15333	S		S 1102	72	30'-0"	11476	S	S 1101	180	21'-0"	20083	S	S 1102	72		30'-0"	11476	S	S 1101	180		21'-0"		20083	S	S 1102		72	30'-0"		11476	S			A 529	16	17'-1"	*	S		P 1117	2024	32'-0"	344112	S		S 1101	180	21'-0"	20083	S	S 1102	72	30'-0"	11476	S	S 1101	180		21'-0"	20083	S	S 1102	72		30'-0"		11476	S	S 1101		180	21'-0"		20083	S			A 601	36	13'-2"	1899	B		P 1118	88	29'-6"	13793	S		S 1102	72	30'-0"	11476	S	S 1101	180	21'-0"	20083	S	S 1102	72		30'-0"	11476	S	S 1101	180		21'-0"		20083	S	S 1102		72	30'-0"		11476	S			A 602	8	21'-1"	253	B		P 1119	176	28'-6"	26650	S		S 1101	180	21'-0"	20083	S	S 1102	72	30'-0"	11476	S	S 1101	180	21'-0"		20083	S	S 1102	72		30'-0"		11476	S	S 1101		180	21'-0"		20083	S			A 603	60	19'-6"	1797	B		P 1120	192	26'-2"	26693	S		S 1102	72	30'-0"	11476	S	S 1101	180	21'-0"	20083	S	S 1102	72	30'-0"		11476	S	S 1101	180		21'-0"		20083	S	S 1102		72	30'-0"		11476	S			A 604	60	18'-11"	1705	B		P 1121	88	25'-0"	11689	S		S 1101	180	21'-0"	20083	S	S 1102	72	30'-0"	11476	S	S 1101	180	21'-0"		20083	S	S 1102	72		30'-0"		11476	S	S 1101		180	21'-0"		20083	S			A 605	32	9'-4"	449	B		P 1122	264	24'-6"	34364	S		S 1102	72	30'-0"	11476	S	S 1101	180	21'-0"	20083	S	S 1102	72	30'-0"		11476	S	S 1101	180		21'-0"		20083	S	S 1102		72	30'-0"		11476	S			A 606	44	5'-4"	352	B																																																																																																																																																																																																																																																																																																																																																																																																																																																																																																																			
S 1002	420	30'-0"	34218	S		S 1003	36	14'-0"	2169	S	S 1101			180	21'-0"	20083	S	S 1102	72	30'-0"				11476	S		A 516	24	5'-6"	138			S		P 1104		220	44'-0"		51430	S			S 801	888	4'-4"	10274	S		S 802	592	6'-0"	9484	S	S 803	592	6'-6"	10274	S	S 901	480		30'-0"	48960	S	S 1001	918	21'-0"		82953		S		A 517	12			19'-5"	243		S			P 1105	1144	17'-0"		103327	S		S 1002	420		30'-0"	34218	S	S 1003	36	14'-0"	2169	S	S 1101	180	21'-0"		20083	S	S 1102	72	30'-0"	11476	S		S 1101		180	21'-0"	20083	S				A 518		8	8'-7"		72	B			P 1106	1144	13'-3"	80534	S			S 1102	72	30'-0"	11476	S	S 1101	180	21'-0"	20083	S	S 1102		72	30'-0"	11476	S	S 1101	180		21'-0"		20083	S	S 1102	72			30'-0"	11476		S			A 519	4	8'-11"		37	B		P 1107	104		13'-0"	7183	S		S 1101	180	21'-0"	20083	S	S 1102	72	30'-0"		11476	S	S 1101	180	21'-0"	20083		S		S 1102	72	30'-0"	11476			S	S 1101		180	21'-0"		20083	S			A 520	4	10'-1"	42	B			P 1108	104	15'-9"	8703	S		S 1102	72	30'-0"	11476	S		S 1101	180	21'-0"	20083	S	S 1102		72		30'-0"	11476	S	S 1101			180	21'-0"		20083	S		S 1102	72	30'-0"		11476	S		A 521	4		11'-1"	46	B		P 1109	104	18'-0"	9946	S		S 1101	180		21'-0"	20083	S	S 1102	72	30'-0"			11476	S	S 1101	180	21'-0"			20083	S		S 1102	72		30'-0"	11476	S		S 1101	180	21'-0"	20083	S			A 522	12	4'-7"	57	B		P 1110	104	20'-3"	11189	S			S 1102	72	30'-0"	11476	S			S 1101	180	21'-0"	20083	S			S 1102	72		30'-0"	11476		S	S 1101	180		21'-0"	20083	S	S 1102	72		30'-0"	11476	S		A 523	16	5'-11"	99	B		P 1111	176		22'-6"	21039	S		S 1101	180			21'-0"	20083	S	S 1102	72			30'-0"	11476		S	S 1101		180	21'-0"	20083		S	S 1102	72	30'-0"	11476		S	S 1101	180	21'-0"	20083	S		A 524	12	6'-5"	90	B			P 1112	104	25'-2"	13908	S				S 1102	72	30'-0"	11476			S	S 1101		180	21'-0"		20083	S	S 1102		72	30'-0"	11476	S	S 1101		180	21'-0"	20083	S	S 1102	72	30'-0"	11476	S		A 525	16		6'-9"	113	B		P 1113		176		25'-6"	23845	S			S 1101		180	21'-0"		20083		S	S 1102	72	30'-0"		11476	S	S 1101	180	21'-0"		20083	S	S 1102	72	30'-0"	11476	S	S 1101	180	21'-0"	20083	S			A 526	24	17'-1"	428		S			P 1114	176	26'-6"		24780		S			S 1102		72	30'-0"	11476	S		S 1101	180	21'-0"	20083	S		S 1102	72	30'-0"	11476	S	S 1101	180	21'-0"	20083	S	S 1102	72		30'-0"	11476	S		A 527		4		12'-6"	52	S			P 1115		104	27'-1"			14963	S		S 1101	180		21'-0"	20083	S	S 1102	72		30'-0"	11476	S	S 1101	180	21'-0"	20083	S	S 1102	72	30'-0"	11476		S	S 1101	180	21'-0"	20083		S			A 528	48		6'-11"	346		B				P 1116	104	27'-9"	15333	S			S 1102	72	30'-0"	11476		S	S 1101	180	21'-0"	20083	S	S 1102	72	30'-0"	11476	S	S 1101		180	21'-0"	20083	S	S 1102		72		30'-0"	11476	S			A 529		16	17'-1"			*	S		P 1117	2024		32'-0"	344112	S		S 1101		180	21'-0"	20083	S	S 1102	72	30'-0"	11476	S	S 1101	180	21'-0"		20083	S	S 1102	72	30'-0"		11476		S	S 1101	180		21'-0"	20083		S				A 601	36	13'-2"	1899	B			P 1118	88	29'-6"	13793		S		S 1102	72	30'-0"	11476	S	S 1101	180	21'-0"	20083	S	S 1102		72	30'-0"	11476	S		S 1101		180	21'-0"	20083		S	S 1102		72	30'-0"			11476	S		A 602	8		21'-1"	253	B		P 1119		176	28'-6"	26650	S		S 1101	180	21'-0"	20083	S	S 1102	72	30'-0"		11476	S	S 1101	180		21'-0"		20083	S	S 1102		72	30'-0"		11476	S			S 1101	180	21'-0"	20083	S			A 603	60	19'-6"	1797		B		P 1120	192	26'-2"	26693	S		S 1102	72	30'-0"	11476	S		S 1101	180	21'-0"	20083		S		S 1102	72	30'-0"		11476	S		S 1101	180			21'-0"	20083	S	S 1102	72		30'-0"	11476	S		A 604		60	18'-11"	1705	B		P 1121	88	25'-0"	11689	S		S 1101	180		21'-0"	20083	S	S 1102		72		30'-0"	11476	S		S 1101	180		21'-0"	20083			S	S 1102	72	30'-0"	11476		S	S 1101	180	21'-0"	20083	S		A 605	32	9'-4"	449	B		P 1122	264	24'-6"	34364	S			S 1102	72	30'-0"	11476		S		S 1101	180	21'-0"		20083	S	S 1102	72	30'-0"	11476	S	S 1101	180	21'-0"	20083	S	S 1102	72	30'-0"	11476	S		A 606	44	5'-4"	352	B																																																																																																																																																																																																																																																																																																																																																																																																																																																												
S 1003	36	14'-0"	2169	S		S 1101	180	21'-0"	20083	S	S 1102			72	30'-0"	11476	S		A 516	24	5'-6"			138	S			P 1104	220	44'-0"		51430	S				S 801	888	4'-4"	10274	S			S 802	592	6'-0"	9484	S		S 803	592	6'-6"	10274	S	S 901	480	30'-0"	48960	S	S 1001	918		21'-0"	82953	S		A 517	12		19'-5"	243	S			P 1105		1144	17'-0"	103327		S			S 1002	420	30'-0"		34218	S		S 1003	36		14'-0"	2169	S	S 1101	180	21'-0"	20083	S	S 1102	72	30'-0"		11476	S	S 1101	180	21'-0"	20083	S			A 518	8	8'-7"	72	B				P 1106		1144	13'-3"	80534	S				S 1102	72	30'-0"	11476	S			S 1101	180	21'-0"	20083	S	S 1102	72	30'-0"	11476	S	S 1101		180	21'-0"	20083	S	S 1102	72		30'-0"	11476	S		A 519	4		8'-11"	37	B				P 1107	104	13'-0"	7183		S			S 1101	180		21'-0"	20083	S		S 1102	72	30'-0"	11476	S	S 1101	180	21'-0"		20083	S	S 1102	72	30'-0"	11476		S	S 1101	180	21'-0"	20083	S			A 520	4		10'-1"	42	B		P 1108			104	15'-9"	8703	S				S 1102	72	30'-0"	11476	S		S 1101	180	21'-0"	20083	S		S 1102	72	30'-0"	11476	S	S 1101		180	21'-0"	20083	S	S 1102	72		30'-0"	11476	S			A 521	4	11'-1"	46	B			P 1109		104	18'-0"		9946	S			S 1101	180	21'-0"	20083	S		S 1102	72		30'-0"	11476	S	S 1101	180	21'-0"		20083	S	S 1102	72	30'-0"	11476		S	S 1101	180		21'-0"	20083	S		A 522	12		4'-7"	57	B		P 1110			104	20'-3"	11189	S			S 1102	72	30'-0"	11476	S			S 1101	180	21'-0"	20083	S		S 1102	72	30'-0"	11476	S	S 1101		180	21'-0"	20083		S	S 1102	72	30'-0"	11476	S			A 523	16	5'-11"	99		B		P 1111		176	22'-6"	21039	S			S 1101	180		21'-0"	20083	S		S 1102	72	30'-0"		11476	S	S 1101	180	21'-0"	20083		S	S 1102		72	30'-0"	11476	S	S 1101	180		21'-0"	20083	S		A 524		12	6'-5"	90	B		P 1112		104	25'-2"	13908	S				S 1102	72	30'-0"	11476	S	S 1101			180	21'-0"	20083	S	S 1102		72	30'-0"		11476	S	S 1101	180	21'-0"	20083		S	S 1102	72	30'-0"	11476		S		A 525	16	6'-9"	113	B		P 1113		176	25'-6"		23845	S			S 1101	180	21'-0"		20083	S	S 1102		72	30'-0"		11476	S		S 1101	180	21'-0"	20083	S	S 1102		72	30'-0"	11476	S	S 1101		180	21'-0"	20083	S		A 526	24	17'-1"	428	S		P 1114			176	26'-6"	24780	S		S 1102			72	30'-0"	11476	S	S 1101		180			21'-0"	20083	S	S 1102	72	30'-0"		11476	S	S 1101	180	21'-0"		20083	S	S 1102	72	30'-0"	11476	S		A 527	4	12'-6"	52		S		P 1115		104	27'-1"	14963		S		S 1101	180		21'-0"		20083	S		S 1102	72	30'-0"		11476	S		S 1101	180	21'-0"	20083	S		S 1102	72	30'-0"	11476	S	S 1101	180	21'-0"	20083	S		A 528		48	6'-11"	346	B		P 1116	104			27'-9"	15333	S		S 1102		72			30'-0"	11476	S	S 1101	180	21'-0"			20083	S	S 1102	72		30'-0"	11476	S	S 1101	180	21'-0"	20083	S	S 1102	72	30'-0"	11476		S		A 529	16	17'-1"	*	S			P 1117	2024	32'-0"		344112		S		S 1101		180	21'-0"		20083	S		S 1102	72	30'-0"		11476		S	S 1101	180	21'-0"	20083	S	S 1102	72	30'-0"	11476	S	S 1101		180	21'-0"	20083	S		A 601	36		13'-2"	1899	B		P 1118	88		29'-6"		13793		S		S 1102	72	30'-0"			11476	S	S 1101	180		21'-0"		20083	S	S 1102	72	30'-0"	11476	S	S 1101	180	21'-0"	20083		S	S 1102	72	30'-0"	11476	S			A 602	8	21'-1"	253	B			P 1119	176		28'-6"	26650		S			S 1101	180	21'-0"		20083		S	S 1102	72	30'-0"		11476	S	S 1101	180	21'-0"	20083	S	S 1102		72	30'-0"	11476	S	S 1101	180		21'-0"	20083	S		A 603	60		19'-6"	1797	B			P 1120	192	26'-2"	26693			S		S 1102	72		30'-0"		11476	S	S 1101	180	21'-0"		20083	S	S 1102	72	30'-0"		11476	S	S 1101	180	21'-0"	20083		S	S 1102	72	30'-0"	11476	S			A 604	60		18'-11"	1705	B		P 1121		88	25'-0"	11689		S			S 1101	180	21'-0"		20083	S	S 1102	72	30'-0"		11476	S		S 1101	180	21'-0"	20083	S	S 1102		72	30'-0"	11476	S	S 1101	180		21'-0"	20083	S			A 605	32	9'-4"	449		B		P 1122	264	24'-6"	34364		S		S 1102	72	30'-0"		11476	S	S 1101	180	21'-0"			20083	S	S 1102	72	30'-0"	11476		S	S 1101	180	21'-0"	20083	S	S 1102	72	30'-0"	11476	S		A 606	44	5'-4"	352	B																																																																																																																																																																																																																																																																																																																																																																																																																																																																						
S 1101	180	21'-0"	20083	S		S 1102	72	30'-0"	11476	S		A 516		24	5'-6"	138	S			P 1104	220	44'-0"		51430	S				S 801	888	4'-4"	10274	S				S 802	592	6'-0"	9484	S			S 803	592	6'-6"	10274	S		S 901	480	30'-0"	48960	S	S 1001	918	21'-0"	82953	S		A 517	12	19'-5"	243	S			P 1105	1144	17'-0"	103327	S				S 1002	420	30'-0"	34218		S			S 1003	36	14'-0"		2169	S		S 1101	180		21'-0"	20083	S	S 1102	72	30'-0"	11476	S	S 1101	180	21'-0"	20083	S		A 518	8	8'-7"	72	B			P 1106	1144	13'-3"	80534	S				S 1102		72	30'-0"	11476	S				S 1101	180	21'-0"	20083	S			S 1102	72	30'-0"	11476	S	S 1101	180	21'-0"	20083	S	S 1102	72	30'-0"	11476	S		A 519	4	8'-11"	37	B			P 1107	104	13'-0"	7183	S					S 1101	180	21'-0"	20083		S			S 1102	72		30'-0"	11476	S		S 1101	180	21'-0"	20083	S	S 1102	72	30'-0"	11476	S	S 1101	180	21'-0"	20083	S		A 520	4	10'-1"	42	B		P 1108		104	15'-9"		8703	S			S 1102			72	30'-0"	11476	S				S 1101	180	21'-0"	20083	S		S 1102	72	30'-0"	11476	S	S 1101	180	21'-0"	20083	S	S 1102	72	30'-0"	11476	S		A 521	4	11'-1"	46	B		P 1109			104	18'-0"	9946	S				S 1101		180	21'-0"		20083	S			S 1102	72	30'-0"	11476	S		S 1101	180	21'-0"	20083	S	S 1102	72	30'-0"	11476	S	S 1101	180	21'-0"	20083	S		A 522	12	4'-7"	57		B		P 1110		104	20'-3"		11189	S			S 1102			72	30'-0"	11476	S			S 1101	180	21'-0"	20083	S	S 1102		72	30'-0"	11476	S	S 1101	180	21'-0"	20083	S	S 1102	72	30'-0"	11476	S		A 523		16	5'-11"	99	B		P 1111			176	22'-6"	21039	S				S 1101		180	21'-0"	20083	S			S 1102	72	30'-0"	11476	S	S 1101		180	21'-0"	20083	S	S 1102	72	30'-0"	11476	S	S 1101	180	21'-0"	20083		S		A 524	12	6'-5"	90		B		P 1112		104		25'-2"	13908	S			S 1102		72	30'-0"	11476	S		S 1101		180	21'-0"	20083	S	S 1102	72	30'-0"		11476	S	S 1101	180	21'-0"	20083	S	S 1102		72	30'-0"	11476	S		A 525		16	6'-9"	113	B			P 1113		176	25'-6"	23845	S			S 1101		180	21'-0"	20083	S	S 1102			72	30'-0"	11476	S	S 1101	180	21'-0"		20083	S	S 1102	72	30'-0"		11476	S	S 1101	180	21'-0"	20083		S		A 526	24	17'-1"		428	S		P 1114		176	26'-6"	24780	S			S 1102	72		30'-0"	11476	S	S 1101		180	21'-0"		20083	S	S 1102	72	30'-0"	11476	S			S 1101	180	21'-0"	20083	S	S 1102		72	30'-0"	11476	S			A 527	4	12'-6"	52	S		P 1115		104	27'-1"	14963	S		S 1101		180		21'-0"	20083	S	S 1102	72		30'-0"	11476		S	S 1101	180	21'-0"		20083	S	S 1102		72	30'-0"		11476	S	S 1101	180	21'-0"		20083	S		A 528	48	6'-11"	346	B		P 1116		104	27'-9"	15333	S		S 1102		72	30'-0"	11476		S	S 1101	180		21'-0"	20083	S			S 1102	72	30'-0"	11476	S	S 1101			180	21'-0"	20083	S		S 1102	72	30'-0"	11476	S		A 529	16	17'-1"	*	S		P 1117	2024		32'-0"	344112	S		S 1101	180		21'-0"	20083	S		S 1102	72	30'-0"		11476		S	S 1101		180	21'-0"		20083	S	S 1102		72		30'-0"	11476	S	S 1101	180	21'-0"	20083	S		A 601	36	13'-2"	1899	B		P 1118	88		29'-6"	13793	S		S 1102	72		30'-0"	11476	S	S 1101		180		21'-0"		20083	S	S 1102			72	30'-0"	11476	S		S 1101		180	21'-0"	20083	S	S 1102	72	30'-0"	11476	S		A 602	8	21'-1"	253	B		P 1119	176	28'-6"		26650	S		S 1101	180	21'-0"		20083	S		S 1102	72		30'-0"			11476	S	S 1101		180		21'-0"	20083	S	S 1102		72	30'-0"	11476	S	S 1101	180	21'-0"	20083	S		A 603	60	19'-6"	1797	B		P 1120	192	26'-2"		26693	S		S 1102	72	30'-0"			11476	S	S 1101	180			21'-0"		20083	S		S 1102		72	30'-0"	11476	S	S 1101		180	21'-0"	20083	S	S 1102	72	30'-0"	11476	S		A 604	60	18'-11"	1705	B		P 1121	88	25'-0"	11689		S			S 1101	180	21'-0"		20083		S	S 1102	72		30'-0"			11476	S	S 1101		180	21'-0"	20083	S	S 1102		72	30'-0"	11476	S	S 1101	180	21'-0"	20083	S		A 605	32	9'-4"	449	B		P 1122	264	24'-6"	34364			S		S 1102	72		30'-0"		11476	S	S 1101	180		21'-0"		20083	S	S 1102		72	30'-0"	11476	S	S 1101		180	21'-0"	20083	S	S 1102	72	30'-0"	11476	S		A 606	44	5'-4"	352	B																																																																																																																																																																																																																																																																																																																																																																																																																																																																																
S 1102	72	30'-0"	11476	S		A 516	24	5'-6"	138	S			P 1104	220	44'-0"	51430	S																																																																																																																																																																																																																																																																																																																																																																																																																																																																																																																																																																																																																																																																																																																																																																																																																																																																																																																																																																																																																																																																																																																																																																																																																																																																																																																																																																																																																
S 801	888	4'-4"	10274	S		S 802	592	6'-0"	9484	S			S 803	592	6'-6"	10274	S				S 901	480	30'-0"	48960	S				S 1001	918	21'-0"	82953	S				A 517	12	19'-5"	243	S			P 1105	1144	17'-0"	103327	S		S 1002	420	30'-0"	34218	S	S 1003	36	14'-0"	2169	S		S 1101	180	21'-0"	20083	S			S 1102	72	30'-0"	11476	S				S 1101	180	21'-0"	20083	S				A 518	8	8'-7"	72	B			P 1106	1144	13'-3"	80534	S		S 1102	72	30'-0"	11476	S	S 1101	180	21'-0"	20083	S		S 1102	72	30'-0"	11476	S			S 1101	180	21'-0"	20083	S				S 1102	72	30'-0"	11476	S				A 519	4	8'-11"	37	B		P 1107		104	13'-0"	7183	S		S 1101	180	21'-0"	20083	S	S 1102	72	30'-0"	11476	S		S 1101	180	21'-0"	20083	S			S 1102	72	30'-0"	11476	S		S 1101			180	21'-0"	20083	S		A 520			4	10'-1"	42	B		P 1108		104	15'-9"	8703	S		S 1102	72	30'-0"	11476	S	S 1101	180	21'-0"	20083	S		S 1102	72	30'-0"	11476	S		S 1101		180	21'-0"	20083	S	S 1102			72		30'-0"	11476	S		A 521		4		11'-1"	46	B		P 1109		104	18'-0"	9946	S		S 1101	180	21'-0"	20083	S	S 1102	72	30'-0"	11476	S		S 1101	180	21'-0"	20083	S		S 1102	72		30'-0"	11476	S	S 1101		180		21'-0"		20083	S		A 522	12			4'-7"	57	B		P 1110		104	20'-3"	11189	S		S 1102	72	30'-0"	11476	S	S 1101	180	21'-0"	20083	S		S 1102	72	30'-0"	11476	S	S 1101		180		21'-0"	20083	S	S 1102	72			30'-0"	11476		S		A 523	16			5'-11"	99	B		P 1111	176		22'-6"	21039	S		S 1101	180	21'-0"	20083	S	S 1102	72	30'-0"	11476	S		S 1101	180	21'-0"	20083	S	S 1102		72	30'-0"		11476	S	S 1101	180	21'-0"			20083		S		A 524	12			6'-5"	90	B		P 1112	104		25'-2"	13908	S		S 1102	72	30'-0"	11476	S	S 1101	180	21'-0"	20083	S	S 1102		72	30'-0"	11476	S	S 1101	180		21'-0"		20083	S	S 1102	72	30'-0"			11476		S		A 525	16		6'-9"		113	B		P 1113	176	25'-6"	23845		S		S 1101	180	21'-0"	20083	S	S 1102	72	30'-0"	11476	S	S 1101		180	21'-0"	20083	S	S 1102	72		30'-0"	11476		S	S 1101	180	21'-0"			20083		S		A 526	24	17'-1"			428	S		P 1114	176	26'-6"	24780		S		S 1102	72	30'-0"	11476	S	S 1101	180	21'-0"	20083	S	S 1102	72		30'-0"	11476	S	S 1101	180	21'-0"		20083		S	S 1102	72	30'-0"			11476	S			A 527	4	12'-6"		52	S			P 1115	104	27'-1"	14963	S			S 1101	180	21'-0"	20083	S	S 1102	72	30'-0"	11476	S	S 1101	180		21'-0"	20083	S	S 1102	72	30'-0"		11476		S	S 1101	180	21'-0"		20083		S			A 528	48	6'-11"	346		B			P 1116	104	27'-9"	15333	S		S 1102	72		30'-0"	11476	S	S 1101	180	21'-0"	20083	S	S 1102	72	30'-0"		11476	S	S 1101	180	21'-0"		20083		S	S 1102	72	30'-0"		11476		S		A 529		16	17'-1"	*		S		P 1117		2024	32'-0"	344112	S		S 1101	180	21'-0"		20083	S	S 1102	72	30'-0"	11476	S	S 1101	180	21'-0"		20083	S	S 1102	72	30'-0"		11476	S		S 1101	180	21'-0"		20083	S			A 601	36		13'-2"	1899	B			P 1118	88	29'-6"		13793	S		S 1102	72	30'-0"		11476	S	S 1101	180	21'-0"	20083	S	S 1102	72	30'-0"		11476	S	S 1101	180	21'-0"		20083	S		S 1102	72	30'-0"		11476	S			A 602	8	21'-1"		253	B			P 1119	176	28'-6"	26650		S		S 1101	180	21'-0"	20083		S	S 1102	72	30'-0"	11476	S	S 1101	180	21'-0"		20083	S	S 1102	72	30'-0"		11476	S	S 1101		180	21'-0"		20083	S			A 603	60	19'-6"	1797	B				P 1120	192	26'-2"	26693		S		S 1102	72	30'-0"	11476		S	S 1101	180	21'-0"	20083	S	S 1102	72	30'-0"		11476	S	S 1101	180	21'-0"		20083	S	S 1102		72	30'-0"		11476	S		A 604		60	18'-11"	1705	B			P 1121		88	25'-0"	11689	S			S 1101	180	21'-0"	20083		S	S 1102	72	30'-0"	11476	S	S 1101	180	21'-0"		20083	S	S 1102	72	30'-0"		11476	S	S 1101	180		21'-0"		20083	S		A 605		32	9'-4"	449	B			P 1122	264		24'-6"	34364	S			S 1102	72	30'-0"	11476		S	S 1101	180	21'-0"	20083	S	S 1102	72	30'-0"		11476	S	S 1101	180	21'-0"		20083	S	S 1102	72	30'-0"		11476		S		A 606	44		5'-4"	352	B																																																																																																																																																																																																																																																																																																																																																																																																																																																																																																													
S 802	592	6'-0"	9484	S		S 803	592	6'-6"	10274	S			S 901	480	30'-0"	48960	S				S 1001	918	21'-0"	82953	S				A 517	12	19'-5"	243	S				P 1105	1144	17'-0"	103327	S			S 1002	420	30'-0"	34218	S		S 1003	36	14'-0"	2169	S	S 1101	180	21'-0"	20083	S		S 1102	72	30'-0"	11476	S			S 1101	180	21'-0"	20083	S				A 518	8	8'-7"	72	B				P 1106	1144	13'-3"	80534	S			S 1102	72	30'-0"	11476	S		S 1101	180	21'-0"	20083	S	S 1102	72	30'-0"	11476	S		S 1101	180	21'-0"	20083	S			S 1102	72	30'-0"	11476	S				A 519	4	8'-11"	37	B				P 1107	104	13'-0"	7183	S			S 1101	180	21'-0"	20083	S		S 1102	72	30'-0"	11476	S	S 1101	180	21'-0"	20083	S		S 1102	72	30'-0"	11476	S			S 1101	180	21'-0"	20083	S				A 520	4	10'-1"	42	B				P 1108	104	15'-9"	8703	S			S 1102	72	30'-0"	11476	S		S 1101	180	21'-0"	20083	S	S 1102	72	30'-0"	11476	S		S 1101	180	21'-0"	20083	S		S 1102		72	30'-0"	11476	S				A 521	4	11'-1"	46	B				P 1109	104	18'-0"	9946	S			S 1101	180	21'-0"	20083	S		S 1102	72	30'-0"	11476	S	S 1101	180	21'-0"	20083	S		S 1102	72	30'-0"	11476	S		S 1101	180		21'-0"	20083	S			A 522		12	4'-7"	57	B			P 1110		104	20'-3"	11189	S			S 1102	72	30'-0"	11476	S		S 1101	180	21'-0"	20083	S	S 1102	72	30'-0"	11476	S		S 1101	180	21'-0"	20083	S	S 1102		72		30'-0"	11476	S		A 523			16	5'-11"	99	B			P 1111		176	22'-6"	21039	S			S 1101	180	21'-0"	20083	S		S 1102	72	30'-0"	11476	S	S 1101	180	21'-0"	20083	S		S 1102	72	30'-0"	11476	S	S 1101		180	21'-0"		20083	S		A 524	12			6'-5"	90	B			P 1112		104	25'-2"	13908	S			S 1102	72	30'-0"	11476	S		S 1101	180	21'-0"	20083	S	S 1102	72	30'-0"	11476	S	S 1101		180	21'-0"	20083	S	S 1102	72		30'-0"		11476	S		A 525	16			6'-9"	113	B			P 1113		176	25'-6"	23845	S			S 1101	180	21'-0"	20083	S		S 1102	72	30'-0"	11476	S	S 1101	180	21'-0"	20083	S	S 1102		72	30'-0"	11476	S	S 1101	180		21'-0"	20083		S		A 526	24			17'-1"	428	S			P 1114	176		26'-6"	24780	S			S 1102	72	30'-0"	11476	S		S 1101	180	21'-0"	20083	S	S 1102	72	30'-0"	11476	S	S 1101	180		21'-0"	20083	S	S 1102	72	30'-0"		11476		S		A 527	4			12'-6"	52	S			P 1115	104		27'-1"	14963	S			S 1101	180	21'-0"	20083		S	S 1102	72	30'-0"	11476	S	S 1101	180	21'-0"	20083	S	S 1102	72		30'-0"	11476	S	S 1101	180	21'-0"		20083		S		A 528	48		6'-11"		346	B			P 1116	104	27'-9"		15333		S		S 1102	72	30'-0"	11476		S	S 1101	180	21'-0"	20083	S	S 1102	72	30'-0"	11476	S	S 1101	180	21'-0"		20083	S	S 1102	72	30'-0"		11476		S		A 529	16		17'-1"		*		S		P 1117	2024	32'-0"		344112		S		S 1101	180	21'-0"	20083		S	S 1102	72	30'-0"	11476	S	S 1101	180	21'-0"	20083	S	S 1102	72	30'-0"		11476	S	S 1101	180	21'-0"		20083	S			A 601	36		13'-2"	1899			B		P 1118	88	29'-6"	13793			S		S 1102	72	30'-0"	11476		S	S 1101	180	21'-0"	20083	S	S 1102	72	30'-0"	11476	S	S 1101	180	21'-0"		20083	S	S 1102	72	30'-0"		11476	S			A 602	8		21'-1"	253			B		P 1119	176	28'-6"	26650			S		S 1101	180	21'-0"	20083		S	S 1102	72	30'-0"	11476	S	S 1101	180	21'-0"	20083	S	S 1102	72	30'-0"		11476	S	S 1101	180	21'-0"		20083	S			A 603	60		19'-6"	1797			B		P 1120	192	26'-2"	26693			S		S 1102	72	30'-0"	11476		S	S 1101	180	21'-0"	20083	S	S 1102	72	30'-0"	11476	S	S 1101	180	21'-0"		20083	S	S 1102	72	30'-0"		11476	S			A 604	60		18'-11"	1705		B			P 1121	88	25'-0"		11689	S			S 1101	180	21'-0"	20083		S	S 1102	72	30'-0"	11476	S	S 1101	180	21'-0"	20083	S	S 1102	72	30'-0"		11476	S	S 1101	180	21'-0"		20083	S		A 605		32		9'-4"	449		B			P 1122	264	24'-6"		34364	S			S 1102	72	30'-0"	11476		S	S 1101	180	21'-0"	20083	S	S 1102	72	30'-0"	11476	S	S 1101	180	21'-0"		20083	S	S 1102	72	30'-0"		11476	S		A 606	44		5'-4"		352		B																																																																																																																																																																																																																																																																																																																																																																																																																																																																																																																		
S 803	592	6'-6"	10274	S		S 901	480	30'-0"	48960	S			S 1001	918	21'-0"	82953	S				A 517	12	19'-5"	243	S				P 1105	1144	17'-0"	103327	S				S 1002	420	30'-0"	34218	S			S 1003	36	14'-0"	2169	S		S 1101	180	21'-0"	20083	S	S 1102	72	30'-0"	11476	S		S 1101	180	21'-0"	20083	S			A 518	8	8'-7"	72	B				P 1106	1144	13'-3"	80534	S				S 1102	72	30'-0"	11476	S			S 1101	180	21'-0"	20083	S		S 1102	72	30'-0"	11476	S	S 1101	180	21'-0"	20083	S		S 1102	72	30'-0"	11476	S			A 519	4	8'-11"	37	B				P 1107	104	13'-0"	7183	S				S 1101	180	21'-0"	20083	S			S 1102	72	30'-0"	11476	S		S 1101	180	21'-0"	20083	S	S 1102	72	30'-0"	11476	S		S 1101	180	21'-0"	20083	S			A 520	4	10'-1"	42	B				P 1108	104	15'-9"	8703	S				S 1102	72	30'-0"	11476	S			S 1101	180	21'-0"	20083	S		S 1102	72	30'-0"	11476	S	S 1101	180	21'-0"	20083	S		S 1102	72	30'-0"	11476	S			A 521	4	11'-1"	46	B				P 1109	104	18'-0"	9946	S				S 1101	180	21'-0"	20083	S			S 1102	72	30'-0"	11476	S		S 1101	180	21'-0"	20083	S	S 1102	72	30'-0"	11476	S		S 1101	180	21'-0"	20083	S			A 522	12	4'-7"	57	B				P 1110	104	20'-3"	11189	S				S 1102	72	30'-0"	11476	S			S 1101	180	21'-0"	20083	S		S 1102	72	30'-0"	11476	S	S 1101	180	21'-0"	20083	S		S 1102	72	30'-0"	11476	S			A 523	16	5'-11"	99	B				P 1111	176	22'-6"	21039	S				S 1101	180	21'-0"	20083	S			S 1102	72	30'-0"	11476	S		S 1101	180	21'-0"	20083	S	S 1102	72	30'-0"	11476	S		S 1101	180	21'-0"	20083	S			A 524	12	6'-5"	90	B			P 1112		104	25'-2"	13908	S				S 1102	72	30'-0"	11476	S			S 1101	180	21'-0"	20083	S		S 1102	72	30'-0"	11476	S	S 1101	180	21'-0"	20083	S	S 1102		72	30'-0"	11476	S		A 525		16	6'-9"	113	B			P 1113		176	25'-6"	23845	S				S 1101	180	21'-0"	20083	S			S 1102	72	30'-0"	11476	S		S 1101	180	21'-0"	20083	S	S 1102	72	30'-0"	11476	S	S 1101		180	21'-0"	20083	S		A 526		24	17'-1"	428	S			P 1114		176	26'-6"	24780	S				S 1102	72	30'-0"	11476	S			S 1101	180	21'-0"	20083	S		S 1102	72	30'-0"	11476	S	S 1101	180	21'-0"	20083	S	S 1102	72		30'-0"	11476	S		A 527	4		12'-6"	52	S			P 1115		104	27'-1"	14963	S				S 1101	180	21'-0"	20083	S			S 1102	72	30'-0"	11476		S	S 1101	180	21'-0"	20083	S	S 1102	72	30'-0"	11476	S	S 1101	180		21'-0"	20083	S		A 528	48		6'-11"	346	B			P 1116		104	27'-9"	15333	S				S 1102	72	30'-0"	11476		S		S 1101	180	21'-0"	20083		S	S 1102	72	30'-0"	11476	S	S 1101	180	21'-0"	20083	S	S 1102	72	30'-0"		11476	S		A 529	16		17'-1"	*	S			P 1117		2024	32'-0"	344112		S			S 1101	180	21'-0"	20083		S		S 1102	72	30'-0"	11476		S	S 1101	180	21'-0"	20083	S	S 1102	72	30'-0"	11476	S	S 1101	180	21'-0"		20083	S		A 601	36		13'-2"	1899	B			P 1118		88	29'-6"	13793		S			S 1102	72	30'-0"	11476		S		S 1101	180	21'-0"	20083		S	S 1102	72	30'-0"	11476	S	S 1101	180	21'-0"	20083	S	S 1102	72	30'-0"		11476	S		A 602	8		21'-1"	253	B			P 1119		176	28'-6"	26650		S			S 1101	180	21'-0"		20083	S		S 1102	72	30'-0"	11476		S	S 1101	180	21'-0"	20083	S	S 1102	72	30'-0"	11476	S	S 1101	180	21'-0"		20083	S		A 603	60		19'-6"	1797		B		P 1120		192	26'-2"		26693	S			S 1102	72	30'-0"		11476	S		S 1101	180	21'-0"	20083		S	S 1102	72	30'-0"	11476	S	S 1101	180	21'-0"	20083	S	S 1102	72	30'-0"		11476	S		A 604	60		18'-11"	1705		B		P 1121		88	25'-0"		11689	S			S 1101	180		21'-0"	20083	S		S 1102	72	30'-0"	11476		S	S 1101	180	21'-0"	20083	S	S 1102	72	30'-0"	11476	S	S 1101	180	21'-0"		20083	S		A 605	32		9'-4"	449		B		P 1122		264	24'-6"		34364	S			S 1102	72		30'-0"	11476		S	S 1101	180	21'-0"	20083		S	S 1102	72	30'-0"	11476	S	S 1101	180	21'-0"	20083	S	S 1102	72	30'-0"		11476	S		A 606	44		5'-4"	352		B																																																																																																																																																																																																																																																																																																																																																																																																																																																																																																																									
S 901	480	30'-0"	48960	S		S 1001	918	21'-0"	82953	S			A 517	12	19'-5"	243	S				P 1105	1144	17'-0"	103327	S				S 1002	420	30'-0"	34218	S				S 1003	36	14'-0"	2169	S			S 1101	180	21'-0"	20083	S		S 1102	72	30'-0"	11476	S	S 1101	180	21'-0"	20083	S		A 518	8	8'-7"	72	B			P 1106	1144	13'-3"	80534	S				S 1102	72	30'-0"	11476	S				S 1101	180	21'-0"	20083	S			S 1102	72	30'-0"	11476	S		S 1101	180	21'-0"	20083	S	S 1102	72	30'-0"	11476	S		A 519	4	8'-11"	37	B			P 1107	104	13'-0"	7183	S				S 1101	180	21'-0"	20083	S				S 1102	72	30'-0"	11476	S			S 1101	180	21'-0"	20083	S		S 1102	72	30'-0"	11476	S	S 1101	180	21'-0"	20083	S		A 520	4	10'-1"	42	B			P 1108	104	15'-9"	8703	S				S 1102	72	30'-0"	11476	S				S 1101	180	21'-0"	20083	S			S 1102	72	30'-0"	11476	S		S 1101	180	21'-0"	20083	S	S 1102	72	30'-0"	11476	S		A 521	4	11'-1"	46	B			P 1109	104	18'-0"	9946	S				S 1101	180	21'-0"	20083	S				S 1102	72	30'-0"	11476	S			S 1101	180	21'-0"	20083	S		S 1102	72	30'-0"	11476	S	S 1101	180	21'-0"	20083	S		A 522	12	4'-7"	57	B			P 1110	104	20'-3"	11189	S				S 1102	72	30'-0"	11476	S				S 1101	180	21'-0"	20083	S			S 1102	72	30'-0"	11476	S		S 1101	180	21'-0"	20083	S	S 1102	72	30'-0"	11476	S		A 523	16	5'-11"	99	B			P 1111	176	22'-6"	21039	S				S 1101	180	21'-0"	20083	S				S 1102	72	30'-0"	11476	S			S 1101	180	21'-0"	20083	S		S 1102	72	30'-0"	11476	S	S 1101	180	21'-0"	20083	S		A 524	12	6'-5"	90	B			P 1112	104	25'-2"	13908	S				S 1102	72	30'-0"	11476	S				S 1101	180	21'-0"	20083	S			S 1102	72	30'-0"	11476	S		S 1101	180	21'-0"	20083	S	S 1102	72	30'-0"	11476	S		A 525	16	6'-9"	113	B			P 1113	176	25'-6"	23845	S				S 1101	180	21'-0"	20083	S				S 1102	72	30'-0"	11476	S			S 1101	180	21'-0"	20083	S		S 1102	72	30'-0"	11476	S	S 1101	180	21'-0"	20083	S		A 526	24	17'-1"	428	S			P 1114	176	26'-6"	24780	S				S 1102	72	30'-0"	11476	S				S 1101	180	21'-0"	20083	S			S 1102	72	30'-0"	11476	S		S 1101	180	21'-0"	20083	S	S 1102	72	30'-0"	11476	S		A 527	4	12'-6"	52	S			P 1115	104	27'-1"	14963	S				S 1101	180	21'-0"	20083	S				S 1102	72	30'-0"	11476	S			S 1101	180	21'-0"	20083		S	S 1102	72	30'-0"	11476	S	S 1101	180	21'-0"	20083	S		A 528	48	6'-11"	346	B			P 1116	104	27'-9"	15333	S				S 1102	72	30'-0"	11476	S				S 1101	180	21'-0"	20083		S		S 1102	72	30'-0"	11476		S	S 1101	180	21'-0"	20083	S	S 1102	72	30'-0"	11476	S		A 529	16	17'-1"	*	S			P 1117	2024	32'-0"	344112	S				S 1101	180	21'-0"	20083		S			S 1102	72	30'-0"	11476		S		S 1101	180	21'-0"	20083		S	S 1102	72	30'-0"	11476	S	S 1101	180	21'-0"	20083	S		A 601	36	13'-2"	1899	B			P 1118	88	29'-6"	13793	S				S 1102	72	30'-0"	11476		S			S 1101	180	21'-0"	20083		S		S 1102	72	30'-0"	11476		S	S 1101	180	21'-0"	20083	S	S 1102	72	30'-0"	11476	S		A 602	8	21'-1"	253	B			P 1119	176	28'-6"	26650	S				S 1101	180	21'-0"	20083		S			S 1102	72	30'-0"		11476	S		S 1101	180	21'-0"	20083		S	S 1102	72	30'-0"	11476	S	S 1101	180	21'-0"	20083	S		A 603	60	19'-6"	1797	B			P 1120	192	26'-2"	26693		S			S 1102	72	30'-0"		11476	S			S 1101	180	21'-0"		20083	S		S 1102	72	30'-0"	11476		S	S 1101	180	21'-0"	20083	S	S 1102	72	30'-0"	11476	S		A 604	60	18'-11"	1705	B			P 1121	88	25'-0"	11689		S			S 1101	180	21'-0"		20083	S			S 1102	72		30'-0"	11476	S		S 1101	180	21'-0"	20083		S	S 1102	72	30'-0"	11476	S	S 1101	180	21'-0"	20083	S		A 605	32	9'-4"	449	B			P 1122	264	24'-6"	34364		S			S 1102	72	30'-0"		11476	S			S 1101	180		21'-0"	20083		S	S 1102	72	30'-0"	11476		S	S 1101	180	21'-0"	20083	S	S 1102	72	30'-0"	11476	S		A 606	44	5'-4"	352	B																																																																																																																																																																																																																																																																																																																																																																																																																																																																																																																																	
S 1001	918	21'-0"	82953	S		A 517	12	19'-5"	243	S			P 1105	1144	17'-0"	103327	S																																																																																																																																																																																																																																																																																																																																																																																																																																																																																																																																																																																																																																																																																																																																																																																																																																																																																																																																																																																																																																																																																																																																																																																																																																																																																																																																																																																																																
S 1002	420	30'-0"	34218	S		S 1003	36	14'-0"	2169	S			S 1101	180	21'-0"	20083	S				S 1102	72	30'-0"	11476	S				S 1101	180	21'-0"	20083	S				A 518	8	8'-7"	72	B			P 1106	1144	13'-3"	80534	S		S 1102	72	30'-0"	11476	S	S 1101	180	21'-0"	20083	S		S 1102	72	30'-0"	11476	S			S 1101	180	21'-0"	20083	S				S 1102	72	30'-0"	11476	S				A 519	4	8'-11"	37	B			P 1107	104	13'-0"	7183	S		S 1101	180	21'-0"	20083	S	S 1102	72	30'-0"	11476	S		S 1101	180	21'-0"	20083	S			S 1102	72	30'-0"	11476	S				S 1101	180	21'-0"	20083	S				A 520	4	10'-1"	42	B			P 1108	104	15'-9"	8703	S		S 1102	72	30'-0"	11476	S	S 1101	180	21'-0"	20083	S		S 1102	72	30'-0"	11476	S			S 1101	180	21'-0"	20083	S				S 1102	72	30'-0"	11476	S				A 521	4	11'-1"	46	B			P 1109	104	18'-0"	9946	S		S 1101	180	21'-0"	20083	S	S 1102	72	30'-0"	11476	S		S 1101	180	21'-0"	20083	S			S 1102	72	30'-0"	11476	S				S 1101	180	21'-0"	20083	S				A 522	12	4'-7"	57	B			P 1110	104	20'-3"	11189	S		S 1102	72	30'-0"	11476	S	S 1101	180	21'-0"	20083	S		S 1102	72	30'-0"	11476	S			S 1101	180	21'-0"	20083	S				S 1102	72	30'-0"	11476	S				A 523	16	5'-11"	99	B			P 1111	176	22'-6"	21039	S		S 1101	180	21'-0"	20083	S	S 1102	72	30'-0"	11476	S		S 1101	180	21'-0"	20083	S			S 1102	72	30'-0"	11476	S				S 1101	180	21'-0"	20083	S				A 524	12	6'-5"	90	B			P 1112	104	25'-2"	13908	S		S 1102	72	30'-0"	11476	S	S 1101	180	21'-0"	20083	S		S 1102	72	30'-0"	11476	S			S 1101	180	21'-0"	20083	S				S 1102	72	30'-0"	11476	S				A 525	16	6'-9"	113	B			P 1113	176	25'-6"	23845	S		S 1101	180	21'-0"	20083	S	S 1102	72	30'-0"	11476	S		S 1101	180	21'-0"	20083	S			S 1102	72	30'-0"	11476	S				S 1101	180	21'-0"	20083	S				A 526	24	17'-1"	428	S			P 1114	176	26'-6"	24780	S		S 1102	72	30'-0"	11476	S	S 1101	180	21'-0"	20083	S		S 1102	72	30'-0"	11476	S			S 1101	180	21'-0"	20083	S				S 1102	72	30'-0"	11476	S				A 527	4	12'-6"	52	S			P 1115	104	27'-1"	14963	S		S 1101	180	21'-0"	20083	S	S 1102	72	30'-0"	11476	S		S 1101	180	21'-0"	20083	S			S 1102	72	30'-0"	11476	S				S 1101	180	21'-0"	20083	S				A 528	48	6'-11"	346	B			P 1116	104	27'-9"	15333	S		S 1102	72	30'-0"	11476	S	S 1101	180	21'-0"	20083	S		S 1102	72	30'-0"	11476	S			S 1101	180	21'-0"	20083	S				S 1102	72	30'-0"	11476	S				A 529	16	17'-1"	*	S			P 1117	2024	32'-0"	344112	S		S 1101	180	21'-0"	20083	S	S 1102	72	30'-0"	11476	S		S 1101	180	21'-0"	20083	S			S 1102	72	30'-0"	11476	S				S 1101	180	21'-0"	20083	S				A 601	36	13'-2"	1899	B			P 1118	88	29'-6"	13793	S		S 1102	72	30'-0"	11476	S	S 1101	180	21'-0"	20083	S		S 1102	72	30'-0"	11476	S			S 1101	180	21'-0"	20083	S				S 1102	72	30'-0"	11476	S				A 602	8	21'-1"	253	B			P 1119	176	28'-6"	26650	S		S 1101	180	21'-0"	20083	S	S 1102	72	30'-0"	11476	S		S 1101	180	21'-0"	20083	S			S 1102	72	30'-0"	11476	S				S 1101	180	21'-0"	20083	S				A 603	60	19'-6"	1797	B			P 1120	192	26'-2"	26693	S		S 1102	72	30'-0"	11476	S	S 1101	180	21'-0"	20083	S		S 1102	72	30'-0"	11476	S			S 1101	180	21'-0"	20083		S			S 1102	72	30'-0"	11476	S				A 604	60	18'-11"	1705	B			P 1121	88	25'-0"	11689	S		S 1101	180	21'-0"	20083	S	S 1102	72	30'-0"	11476	S		S 1101	180	21'-0"	20083	S			S 1102	72	30'-0"	11476		S			S 1101	180	21'-0"	20083	S				A 605	32	9'-4"	449	B			P 1122	264	24'-6"	34364	S		S 1102	72	30'-0"	11476	S	S 1101	180	21'-0"	20083	S		S 1102	72	30'-0"	11476	S			S 1101	180	21'-0"	20083		S			S 1102	72	30'-0"	11476	S				A 606	44	5'-4"	352	B																																																																																																																																																																																																																																																																																																																																																																																																																																																																																																																																																									
S 1003	36	14'-0"	2169	S		S 1101	180	21'-0"	20083	S			S 1102	72	30'-0"	11476	S				S 1101	180	21'-0"	20083	S				A 518	8	8'-7"	72	B				P 1106	1144	13'-3"	80534	S			S 1102	72	30'-0"	11476	S		S 1101	180	21'-0"	20083	S	S 1102	72	30'-0"	11476	S		S 1101	180	21'-0"	20083	S			S 1102	72	30'-0"	11476	S				A 519	4	8'-11"	37	B				P 1107	104	13'-0"	7183	S			S 1101	180	21'-0"	20083	S		S 1102	72	30'-0"	11476	S	S 1101	180	21'-0"	20083	S		S 1102	72	30'-0"	11476	S			S 1101	180	21'-0"	20083	S				A 520	4	10'-1"	42	B				P 1108	104	15'-9"	8703	S			S 1102	72	30'-0"	11476	S		S 1101	180	21'-0"	20083	S	S 1102	72	30'-0"	11476	S		S 1101	180	21'-0"	20083	S			S 1102	72	30'-0"	11476	S				A 521	4	11'-1"	46	B				P 1109	104	18'-0"	9946	S			S 1101	180	21'-0"	20083	S		S 1102	72	30'-0"	11476	S	S 1101	180	21'-0"	20083	S		S 1102	72	30'-0"	11476	S			S 1101	180	21'-0"	20083	S				A 522	12	4'-7"	57	B				P 1110	104	20'-3"	11189	S			S 1102	72	30'-0"	11476	S		S 1101	180	21'-0"	20083	S	S 1102	72	30'-0"	11476	S		S 1101	180	21'-0"	20083	S			S 1102	72	30'-0"	11476	S				A 523	16	5'-11"	99	B				P 1111	176	22'-6"	21039	S			S 1101	180	21'-0"	20083	S		S 1102	72	30'-0"	11476	S	S 1101	180	21'-0"	20083	S		S 1102	72	30'-0"	11476	S			S 1101	180	21'-0"	20083	S				A 524	12	6'-5"	90	B				P 1112	104	25'-2"	13908	S			S 1102	72	30'-0"	11476	S		S 1101	180	21'-0"	20083	S	S 1102	72	30'-0"	11476	S		S 1101	180	21'-0"	20083	S			S 1102	72	30'-0"	11476	S				A 525	16	6'-9"	113	B				P 1113	176	25'-6"	23845	S			S 1101	180	21'-0"	20083	S		S 1102	72	30'-0"	11476	S	S 1101	180	21'-0"	20083	S		S 1102	72	30'-0"	11476	S			S 1101	180	21'-0"	20083	S				A 526	24	17'-1"	428	S				P 1114	176	26'-6"	24780	S			S 1102	72	30'-0"	11476	S		S 1101	180	21'-0"	20083	S	S 1102	72	30'-0"	11476	S		S 1101	180	21'-0"	20083	S			S 1102	72	30'-0"	11476	S				A 527	4	12'-6"	52	S				P 1115	104	27'-1"	14963	S			S 1101	180	21'-0"	20083	S		S 1102	72	30'-0"	11476	S	S 1101	180	21'-0"	20083	S		S 1102	72	30'-0"	11476	S			S 1101	180	21'-0"	20083	S				A 528	48	6'-11"	346	B				P 1116	104	27'-9"	15333	S			S 1102	72	30'-0"	11476	S		S 1101	180	21'-0"	20083	S	S 1102	72	30'-0"	11476	S		S 1101	180	21'-0"	20083	S			S 1102	72	30'-0"	11476	S				A 529	16	17'-1"	*	S				P 1117	2024	32'-0"	344112	S			S 1101	180	21'-0"	20083	S		S 1102	72	30'-0"	11476	S	S 1101	180	21'-0"	20083	S		S 1102	72	30'-0"	11476	S			S 1101	180	21'-0"	20083	S				A 601	36	13'-2"	1899	B				P 1118	88	29'-6"	13793	S			S 1102	72	30'-0"	11476	S		S 1101	180	21'-0"	20083	S	S 1102	72	30'-0"	11476	S		S 1101	180	21'-0"	20083	S			S 1102	72	30'-0"	11476	S				A 602	8	21'-1"	253	B				P 1119	176	28'-6"	26650	S			S 1101	180	21'-0"	20083	S		S 1102	72	30'-0"	11476	S	S 1101	180	21'-0"	20083	S		S 1102	72	30'-0"	11476	S			S 1101	180	21'-0"	20083	S				A 603	60	19'-6"	1797	B				P 1120	192	26'-2"	26693	S			S 1102	72	30'-0"	11476	S		S 1101	180	21'-0"	20083	S	S 1102	72	30'-0"	11476	S		S 1101	180	21'-0"	20083	S			S 1102	72	30'-0"	11476	S				A 604	60	18'-11"	1705	B				P 1121	88	25'-0"	11689	S			S 1101	180	21'-0"	20083	S		S 1102	72	30'-0"	11476	S	S 1101	180	21'-0"	20083	S		S 1102	72	30'-0"	11476	S			S 1101	180	21'-0"	20083	S				A 605	32	9'-4"	449	B				P 1122	264	24'-6"	34364	S			S 1102	72	30'-0"	11476	S		S 1101	180	21'-0"	20083	S	S 1102	72	30'-0"	11476	S		S 1101	180	21'-0"	20083	S			S 1102	72	30'-0"	11476	S				A 606	44	5'-4"	352	B																																																																																																																																																																																																																																																																																																																																																																																																																																																																																																																																																																	
S 1101	180	21'-0"	20083	S		S 1102	72	30'-0"	11476	S			S 1101	180	21'-0"	20083	S				A 518	8	8'-7"	72	B				P 1106	1144	13'-3"	80534	S				S 1102	72	30'-0"	11476	S			S 1101	180	21'-0"	20083	S		S 1102	72	30'-0"	11476	S	S 1101	180	21'-0"	20083	S		S 1102	72	30'-0"	11476	S			A 519	4	8'-11"	37	B				P 1107	104	13'-0"	7183	S				S 1101	180	21'-0"	20083	S			S 1102	72	30'-0"	11476	S		S 1101	180	21'-0"	20083	S	S 1102	72	30'-0"	11476	S		S 1101	180	21'-0"	20083	S			A 520	4	10'-1"	42	B				P 1108	104	15'-9"	8703	S				S 1102	72	30'-0"	11476	S			S 1101	180	21'-0"	20083	S		S 1102	72	30'-0"	11476	S	S 1101	180	21'-0"	20083	S		S 1102	72	30'-0"	11476	S			A 521	4	11'-1"	46	B				P 1109	104	18'-0"	9946	S				S 1101	180	21'-0"	20083	S			S 1102	72	30'-0"	11476	S		S 1101	180	21'-0"	20083	S	S 1102	72	30'-0"	11476	S		S 1101	180	21'-0"	20083	S			A 522	12	4'-7"	57	B				P 1110	104	20'-3"	11189	S				S 1102	72	30'-0"	11476	S			S 1101	180	21'-0"	20083	S		S 1102	72	30'-0"	11476	S	S 1101	180	21'-0"	20083	S		S 1102	72	30'-0"	11476	S			A 523	16	5'-11"	99	B				P 1111	176	22'-6"	21039	S				S 1101	180	21'-0"	20083	S			S 1102	72	30'-0"	11476	S		S 1101	180	21'-0"	20083	S	S 1102	72	30'-0"	11476	S		S 1101	180	21'-0"	20083	S			A 524	12	6'-5"	90	B				P 1112	104	25'-2"	13908	S				S 1102	72	30'-0"	11476	S			S 1101	180	21'-0"	20083	S		S 1102	72	30'-0"	11476	S	S 1101	180	21'-0"	20083	S		S 1102	72	30'-0"	11476	S			A 525	16	6'-9"	113	B				P 1113	176	25'-6"	23845	S				S 1101	180	21'-0"	20083	S			S 1102	72	30'-0"	11476	S		S 1101	180	21'-0"	20083	S	S 1102	72	30'-0"	11476	S		S 1101	180	21'-0"	20083	S			A 526	24	17'-1"	428	S				P 1114	176	26'-6"	24780	S				S 1102	72	30'-0"	11476	S			S 1101	180	21'-0"	20083	S		S 1102	72	30'-0"	11476	S	S 1101	180	21'-0"	20083	S		S 1102	72	30'-0"	11476	S			A 527	4	12'-6"	52	S				P 1115	104	27'-1"	14963	S				S 1101	180	21'-0"	20083	S			S 1102	72	30'-0"	11476	S		S 1101	180	21'-0"	20083	S	S 1102	72	30'-0"	11476	S		S 1101	180	21'-0"	20083	S			A 528	48	6'-11"	346	B				P 1116	104	27'-9"	15333	S				S 1102	72	30'-0"	11476	S			S 1101	180	21'-0"	20083	S		S 1102	72	30'-0"	11476	S	S 1101	180	21'-0"	20083	S		S 1102	72	30'-0"	11476	S			A 529	16	17'-1"	*	S				P 1117	2024	32'-0"	344112	S				S 1101	180	21'-0"	20083	S			S 1102	72	30'-0"	11476	S		S 1101	180	21'-0"	20083	S	S 1102	72	30'-0"	11476	S		S 1101	180	21'-0"	20083	S			A 601	36	13'-2"	1899	B				P 1118	88	29'-6"	13793	S				S 1102	72	30'-0"	11476	S			S 1101	180	21'-0"	20083	S		S 1102	72	30'-0"	11476	S	S 1101	180	21'-0"	20083	S		S 1102	72	30'-0"	11476	S			A 602	8	21'-1"	253	B				P 1119	176	28'-6"	26650	S				S 1101	180	21'-0"	20083	S			S 1102	72	30'-0"	11476	S		S 1101	180	21'-0"	20083	S	S 1102	72	30'-0"	11476	S		S 1101	180	21'-0"	20083	S			A 603	60	19'-6"	1797	B				P 1120	192	26'-2"	26693	S				S 1102	72	30'-0"	11476	S			S 1101	180	21'-0"	20083	S		S 1102	72	30'-0"	11476	S	S 1101	180	21'-0"	20083	S		S 1102	72	30'-0"	11476	S			A 604	60	18'-11"	1705	B				P 1121	88	25'-0"	11689	S				S 1101	180	21'-0"	20083	S			S 1102	72	30'-0"	11476	S		S 1101	180	21'-0"	20083	S	S 1102	72	30'-0"	11476	S		S 1101	180	21'-0"	20083	S			A 605	32	9'-4"	449	B				P 1122	264	24'-6"	34364	S				S 1102	72	30'-0"	11476	S			S 1101	180	21'-0"	20083	S		S 1102	72	30'-0"	11476	S	S 1101	180	21'-0"	20083	S		S 1102	72	30'-0"	11476	S			A 606	44	5'-4"	352	B																																																																																																																																																																																																																																																																																																																																																																																																																																																																																																																																																																									
S 1102	72	30'-0"	11476	S		S 1101	180	21'-0"	20083	S			A 518	8	8'-7"	72	B				P 1106	1144	13'-3"	80534	S				S 1102	72	30'-0"	11476	S				S 1101	180	21'-0"	20083	S			S 1102	72	30'-0"	11476	S		S 1101	180	21'-0"	20083	S	S 1102	72	30'-0"	11476	S		A 519	4	8'-11"	37	B			P 1107	104	13'-0"	7183	S				S 1101	180	21'-0"	20083	S				S 1102	72	30'-0"	11476	S			S 1101	180	21'-0"	20083	S		S 1102	72	30'-0"	11476	S	S 1101	180	21'-0"	20083	S		A 520	4	10'-1"	42	B			P 1108	104	15'-9"	8703	S				S 1102	72	30'-0"	11476	S				S 1101	180	21'-0"	20083	S			S 1102	72	30'-0"	11476	S		S 1101	180	21'-0"	20083	S	S 1102	72	30'-0"	11476	S		A 521	4	11'-1"	46	B			P 1109	104	18'-0"	9946	S				S 1101	180	21'-0"	20083	S				S 1102	72	30'-0"	11476	S			S 1101	180	21'-0"	20083	S		S 1102	72	30'-0"	11476	S	S 1101	180	21'-0"	20083	S		A 522	12	4'-7"	57	B			P 1110	104	20'-3"	11189	S				S 1102	72	30'-0"	11476	S				S 1101	180	21'-0"	20083	S			S 1102	72	30'-0"	11476	S		S 1101	180	21'-0"	20083	S	S 1102	72	30'-0"	11476	S		A 523	16	5'-11"	99	B			P 1111	176	22'-6"	21039	S				S 1101	180	21'-0"	20083	S				S 1102	72	30'-0"	11476	S			S 1101	180	21'-0"	20083	S		S 1102	72	30'-0"	11476	S	S 1101	180	21'-0"	20083	S		A 524	12	6'-5"	90	B			P 1112	104	25'-2"	13908	S				S 1102	72	30'-0"	11476	S				S 1101	180	21'-0"	20083	S			S 1102	72	30'-0"	11476	S		S 1101	180	21'-0"	20083	S	S 1102	72	30'-0"	11476	S		A 525	16	6'-9"	113	B			P 1113	176	25'-6"	23845	S				S 1101	180	21'-0"	20083	S				S 1102	72	30'-0"	11476	S			S 1101	180	21'-0"	20083	S		S 1102	72	30'-0"	11476	S	S 1101	180	21'-0"	20083	S		A 526	24	17'-1"	428	S			P 1114	176	26'-6"	24780	S				S 1102	72	30'-0"	11476	S				S 1101	180	21'-0"	20083	S			S 1102	72	30'-0"	11476	S		S 1101	180	21'-0"	20083	S	S 1102	72	30'-0"	11476	S		A 527	4	12'-6"	52	S			P 1115	104	27'-1"	14963	S				S 1101	180	21'-0"	20083	S				S 1102	72	30'-0"	11476	S			S 1101	180	21'-0"	20083	S		S 1102	72	30'-0"	11476	S	S 1101	180	21'-0"	20083	S		A 528	48	6'-11"	346	B			P 1116	104	27'-9"	15333	S				S 1102	72	30'-0"	11476	S				S 1101	180	21'-0"	20083	S			S 1102	72	30'-0"	11476	S		S 1101	180	21'-0"	20083	S	S 1102	72	30'-0"	11476	S		A 529	16	17'-1"	*	S			P 1117	2024	32'-0"	344112	S				S 1101	180	21'-0"	20083	S				S 1102	72	30'-0"	11476	S			S 1101	180	21'-0"	20083	S		S 1102	72	30'-0"	11476	S	S 1101	180	21'-0"	20083	S		A 601	36	13'-2"	1899	B			P 1118	88	29'-6"	13793	S				S 1102	72	30'-0"	11476	S				S 1101	180	21'-0"	20083	S			S 1102	72	30'-0"	11476	S		S 1101	180	21'-0"	20083	S	S 1102	72	30'-0"	11476	S		A 602	8	21'-1"	253	B			P 1119	176	28'-6"	26650	S				S 1101	180	21'-0"	20083	S				S 1102	72	30'-0"	11476	S			S 1101	180	21'-0"	20083	S		S 1102	72	30'-0"	11476	S	S 1101	180	21'-0"	20083	S		A 603	60	19'-6"	1797	B			P 1120	192	26'-2"	26693	S				S 1102	72	30'-0"	11476	S				S 1101	180	21'-0"	20083	S			S 1102	72	30'-0"	11476	S		S 1101	180	21'-0"	20083	S	S 1102	72	30'-0"	11476	S		A 604	60	18'-11"	1705	B			P 1121	88	25'-0"	11689	S				S 1101	180	21'-0"	20083	S				S 1102	72	30'-0"	11476	S			S 1101	180	21'-0"	20083	S		S 1102	72	30'-0"	11476	S	S 1101	180	21'-0"	20083	S		A 605	32	9'-4"	449	B			P 1122	264	24'-6"	34364	S				S 1102	72	30'-0"	11476	S				S 1101	180	21'-0"	20083	S			S 1102	72	30'-0"	11476	S		S 1101	180	21'-0"	20083	S	S 1102	72	30'-0"	11476	S		A 606	44	5'-4"	352	B																																																																																																																																																																																																																																																																																																																																																																																																																																																																																																																																																																																
S 1101	180	21'-0"	20083	S		A 518	8	8'-7"	72	B			P 1106	1144	13'-3"	80534	S																																																																																																																																																																																																																																																																																																																																																																																																																																																																																																																																																																																																																																																																																																																																																																																																																																																																																																																																																																																																																																																																																																																																																																																																																																																																																																																																																																																																																
S 1102	72	30'-0"	11476	S		S 1101	180	21'-0"	20083	S			S 1102	72	30'-0"	11476	S				S 1101	180	21'-0"	20083	S				S 1102	72	30'-0"	11476	S				A 519	4	8'-11"	37	B			P 1107	104	13'-0"	7183	S		S 1101	180	21'-0"	20083	S	S 1102	72	30'-0"	11476	S		S 1101	180	21'-0"	20083	S			S 1102	72	30'-0"	11476	S				S 1101	180	21'-0"	20083	S				A 520	4	10'-1"	42	B			P 1108	104	15'-9"	8703	S		S 1102	72	30'-0"	11476	S	S 1101	180	21'-0"	20083	S		S 1102	72	30'-0"	11476	S			S 1101	180	21'-0"	20083	S				S 1102	72	30'-0"	11476	S				A 521	4	11'-1"	46	B			P 1109	104	18'-0"	9946	S		S 1101	180	21'-0"	20083	S	S 1102	72	30'-0"	11476	S		S 1101	180	21'-0"	20083	S			S 1102	72	30'-0"	11476	S				S 1101	180	21'-0"	20083	S				A 522	12	4'-7"	57	B			P 1110	104	20'-3"	11189	S		S 1102	72	30'-0"	11476	S	S 1101	180	21'-0"	20083	S		S 1102	72	30'-0"	11476	S			S 1101	180	21'-0"	20083	S				S 1102	72	30'-0"	11476	S				A 523	16	5'-11"	99	B			P 1111	176	22'-6"	21039	S		S 1101	180	21'-0"	20083	S	S 1102	72	30'-0"	11476	S		S 1101	180	21'-0"	20083	S			S 1102	72	30'-0"	11476	S				S 1101	180	21'-0"	20083	S				A 524	12	6'-5"	90	B			P 1112	104	25'-2"	13908	S		S 1102	72	30'-0"	11476	S	S 1101	180	21'-0"	20083	S		S 1102	72	30'-0"	11476	S			S 1101	180	21'-0"	20083	S				S 1102	72	30'-0"	11476	S				A 525	16	6'-9"	113	B			P 1113	176	25'-6"	23845	S		S 1101	180	21'-0"	20083	S	S 1102	72	30'-0"	11476	S		S 1101	180	21'-0"	20083	S			S 1102	72	30'-0"	11476	S				S 1101	180	21'-0"	20083	S				A 526	24	17'-1"	428	S			P 1114	176	26'-6"	24780	S		S 1102	72	30'-0"	11476	S	S 1101	180	21'-0"	20083	S		S 1102	72	30'-0"	11476	S			S 1101	180	21'-0"	20083	S				S 1102	72	30'-0"	11476	S				A 527	4	12'-6"	52	S			P 1115	104	27'-1"	14963	S		S 1101	180	21'-0"	20083	S	S 1102	72	30'-0"	11476	S		S 1101	180	21'-0"	20083	S			S 1102	72	30'-0"	11476	S				S 1101	180	21'-0"	20083	S				A 528	48	6'-11"	346	B			P 1116	104	27'-9"	15333	S		S 1102	72	30'-0"	11476	S	S 1101	180	21'-0"	20083	S		S 1102	72	30'-0"	11476	S			S 1101	180	21'-0"	20083	S				S 1102	72	30'-0"	11476	S				A 529	16	17'-1"	*	S			P 1117	2024	32'-0"	344112	S		S 1101	180	21'-0"	20083	S	S 1102	72	30'-0"	11476	S		S 1101	180	21'-0"	20083	S			S 1102	72	30'-0"	11476	S				S 1101	180	21'-0"	20083	S				A 601	36	13'-2"	1899	B			P 1118	88	29'-6"	13793	S		S 1102	72	30'-0"	11476	S	S 1101	180	21'-0"	20083	S		S 1102	72	30'-0"	11476	S			S 1101	180	21'-0"	20083	S				S 1102	72	30'-0"	11476	S				A 602	8	21'-1"	253	B			P 1119	176	28'-6"	26650	S		S 1101	180	21'-0"	20083	S	S 1102	72	30'-0"	11476	S		S 1101	180	21'-0"	20083	S			S 1102	72	30'-0"	11476	S				S 1101	180	21'-0"	20083	S				A 603	60	19'-6"	1797	B			P 1120	192	26'-2"	26693	S		S 1102	72	30'-0"	11476	S	S 1101	180	21'-0"	20083	S		S 1102	72	30'-0"	11476	S			S 1101	180	21'-0"	20083	S				S 1102	72	30'-0"	11476	S				A 604	60	18'-11"	1705	B			P 1121	88	25'-0"	11689	S		S 1101	180	21'-0"	20083	S	S 1102	72	30'-0"	11476	S		S 1101	180	21'-0"	20083	S			S 1102	72	30'-0"	11476	S				S 1101	180	21'-0"	20083	S				A 605	32	9'-4"	449	B			P 1122	264	24'-6"	34364	S		S 1102	72	30'-0"	11476	S	S 1101	180	21'-0"	20083	S		S 1102	72	30'-0"	11476	S			S 1101	180	21'-0"	20083	S				S 1102	72	30'-0"	11476	S				A 606	44	5'-4"	352	B																																																																																																																																																																																																																																																																																																																																																																																																																																																																																																																																																																																																								
S 1101	180	21'-0"	20083	S		S 1102	72	30'-0"	11476	S			S 1101	180	21'-0"	20083	S				S 1102	72	30'-0"	11476	S				A 519	4	8'-11"	37	B				P 1107	104	13'-0"	7183	S			S 1101	180	21'-0"	20083	S		S 1102	72	30'-0"	11476	S	S 1101	180	21'-0"	20083	S		S 1102	72	30'-0"	11476	S			S 1101	180	21'-0"	20083	S				A 520	4	10'-1"	42	B				P 1108	104	15'-9"	8703	S			S 1102	72	30'-0"	11476	S		S 1101	180	21'-0"	20083	S	S 1102	72	30'-0"	11476	S		S 1101	180	21'-0"	20083	S			S 1102	72	30'-0"	11476	S				A 521	4	11'-1"	46	B				P 1109	104	18'-0"	9946	S			S 1101	180	21'-0"	20083	S		S 1102	72	30'-0"	11476	S	S 1101	180	21'-0"	20083	S		S 1102	72	30'-0"	11476	S			S 1101	180	21'-0"	20083	S				A 522	12	4'-7"	57	B				P 1110	104	20'-3"	11189	S			S 1102	72	30'-0"	11476	S		S 1101	180	21'-0"	20083	S	S 1102	72	30'-0"	11476	S		S 1101	180	21'-0"	20083	S			S 1102	72	30'-0"	11476	S				A 523	16	5'-11"	99	B				P 1111	176	22'-6"	21039	S			S 1101	180	21'-0"	20083	S		S 1102	72	30'-0"	11476	S	S 1101	180	21'-0"	20083	S		S 1102	72	30'-0"	11476	S			S 1101	180	21'-0"	20083	S				A 524	12	6'-5"	90	B				P 1112	104	25'-2"	13908	S			S 1102	72	30'-0"	11476	S		S 1101	180	21'-0"	20083	S	S 1102	72	30'-0"	11476	S		S 1101	180	21'-0"	20083	S			S 1102	72	30'-0"	11476	S				A 525	16	6'-9"	113	B				P 1113	176	25'-6"	23845	S			S 1101	180	21'-0"	20083	S		S 1102	72	30'-0"	11476	S	S 1101	180	21'-0"	20083	S		S 1102	72	30'-0"	11476	S			S 1101	180	21'-0"	20083	S				A 526	24	17'-1"	428	S				P 1114	176	26'-6"	24780	S			S 1102	72	30'-0"	11476	S		S 1101	180	21'-0"	20083	S	S 1102	72	30'-0"	11476	S		S 1101	180	21'-0"	20083	S			S 1102	72	30'-0"	11476	S				A 527	4	12'-6"	52	S				P 1115	104	27'-1"	14963	S			S 1101	180	21'-0"	20083	S		S 1102	72	30'-0"	11476	S	S 1101	180	21'-0"	20083	S		S 1102	72	30'-0"	11476	S			S 1101	180	21'-0"	20083	S				A 528	48	6'-11"	346	B				P 1116	104	27'-9"	15333	S			S 1102	72	30'-0"	11476	S		S 1101	180	21'-0"	20083	S	S 1102	72	30'-0"	11476	S		S 1101	180	21'-0"	20083	S			S 1102	72	30'-0"	11476	S				A 529	16	17'-1"	*	S				P 1117	2024	32'-0"	344112	S			S 1101	180	21'-0"	20083	S		S 1102	72	30'-0"	11476	S	S 1101	180	21'-0"	20083	S		S 1102	72	30'-0"	11476	S			S 1101	180	21'-0"	20083	S				A 601	36	13'-2"	1899	B				P 1118	88	29'-6"	13793	S			S 1102	72	30'-0"	11476	S		S 1101	180	21'-0"	20083	S	S 1102	72	30'-0"	11476	S		S 1101	180	21'-0"	20083	S			S 1102	72	30'-0"	11476	S				A 602	8	21'-1"	253	B				P 1119	176	28'-6"	26650	S			S 1101	180	21'-0"	20083	S		S 1102	72	30'-0"	11476	S	S 1101	180	21'-0"	20083	S		S 1102	72	30'-0"	11476	S			S 1101	180	21'-0"	20083	S				A 603	60	19'-6"	1797	B				P 1120	192	26'-2"	26693	S			S 1102	72	30'-0"	11476	S		S 1101	180	21'-0"	20083	S	S 1102	72	30'-0"	11476	S		S 1101	180	21'-0"	20083	S			S 1102	72	30'-0"	11476	S				A 604	60	18'-11"	1705	B				P 1121	88	25'-0"	11689	S			S 1101	180	21'-0"	20083	S		S 1102	72	30'-0"	11476	S	S 1101	180	21'-0"	20083	S		S 1102	72	30'-0"	11476	S			S 1101	180	21'-0"	20083	S				A 605	32	9'-4"	449	B				P 1122	264	24'-6"	34364	S			S 1102	72	30'-0"	11476	S		S 1101	180	21'-0"	20083	S	S 1102	72	30'-0"	11476	S		S 1101	180	21'-0"	20083	S			S 1102	72	30'-0"	11476	S				A 606	44	5'-4"	352	B																																																																																																																																																																																																																																																																																																																																																																																																																																																																																																																																																																																																																
S 1102	72	30'-0"	11476	S		S 1101	180	21'-0"	20083	S			S 1102	72	30'-0"	11476	S				A 519	4	8'-11"	37	B				P 1107	104	13'-0"	7183	S				S 1101	180	21'-0"	20083	S			S 1102	72	30'-0"	11476	S		S 1101	180	21'-0"	20083	S	S 1102	72	30'-0"	11476	S		S 1101	180	21'-0"	20083	S			A 520	4	10'-1"	42	B				P 1108	104	15'-9"	8703	S				S 1102	72	30'-0"	11476	S			S 1101	180	21'-0"	20083	S		S 1102	72	30'-0"	11476	S	S 1101	180	21'-0"	20083	S		S 1102	72	30'-0"	11476	S			A 521	4	11'-1"	46	B				P 1109	104	18'-0"	9946	S				S 1101	180	21'-0"	20083	S			S 1102	72	30'-0"	11476	S		S 1101	180	21'-0"	20083	S	S 1102	72	30'-0"	11476	S		S 1101	180	21'-0"	20083	S			A 522	12	4'-7"	57	B				P 1110	104	20'-3"	11189	S				S 1102	72	30'-0"	11476	S			S 1101	180	21'-0"	20083	S		S 1102	72	30'-0"	11476	S	S 1101	180	21'-0"	20083	S		S 1102	72	30'-0"	11476	S			A 523	16	5'-11"	99	B				P 1111	176	22'-6"	21039	S				S 1101	180	21'-0"	20083	S			S 1102	72	30'-0"	11476	S		S 1101	180	21'-0"	20083	S	S 1102	72	30'-0"	11476	S		S 1101	180	21'-0"	20083	S			A 524	12	6'-5"	90	B				P 1112	104	25'-2"	13908	S				S 1102	72	30'-0"	11476	S			S 1101	180	21'-0"	20083	S		S 1102	72	30'-0"	11476	S	S 1101	180	21'-0"	20083	S		S 1102	72	30'-0"	11476	S			A 525	16	6'-9"	113	B				P 1113	176	25'-6"	23845	S				S 1101	180	21'-0"	20083	S			S 1102	72	30'-0"	11476	S		S 1101	180	21'-0"	20083	S	S 1102	72	30'-0"	11476	S		S 1101	180	21'-0"	20083	S			A 526	24	17'-1"	428	S				P 1114	176	26'-6"	24780	S				S 1102	72	30'-0"	11476	S			S 1101	180	21'-0"	20083	S		S 1102	72	30'-0"	11476	S	S 1101	180	21'-0"	20083	S		S 1102	72	30'-0"	11476	S			A 527	4	12'-6"	52	S				P 1115	104	27'-1"	14963	S				S 1101	180	21'-0"	20083	S			S 1102	72	30'-0"	11476	S		S 1101	180	21'-0"	20083	S	S 1102	72	30'-0"	11476	S		S 1101	180	21'-0"	20083	S			A 528	48	6'-11"	346	B				P 1116	104	27'-9"	15333	S				S 1102	72	30'-0"	11476	S			S 1101	180	21'-0"	20083	S		S 1102	72	30'-0"	11476	S	S 1101	180	21'-0"	20083	S		S 1102	72	30'-0"	11476	S			A 529	16	17'-1"	*	S				P 1117	2024	32'-0"	344112	S				S 1101	180	21'-0"	20083	S			S 1102	72	30'-0"	11476	S		S 1101	180	21'-0"	20083	S	S 1102	72	30'-0"	11476	S		S 1101	180	21'-0"	20083	S			A 601	36	13'-2"	1899	B				P 1118	88	29'-6"	13793	S				S 1102	72	30'-0"	11476	S			S 1101	180	21'-0"	20083	S		S 1102	72	30'-0"	11476	S	S 1101	180	21'-0"	20083	S		S 1102	72	30'-0"	11476	S			A 602	8	21'-1"	253	B				P 1119	176	28'-6"	26650	S				S 1101	180	21'-0"	20083	S			S 1102	72	30'-0"	11476	S		S 1101	180	21'-0"	20083	S	S 1102	72	30'-0"	11476	S		S 1101	180	21'-0"	20083	S			A 603	60	19'-6"	1797	B				P 1120	192	26'-2"	26693	S				S 1102	72	30'-0"	11476	S			S 1101	180	21'-0"	20083	S		S 1102	72	30'-0"	11476	S	S 1101	180	21'-0"	20083	S		S 1102	72	30'-0"	11476	S			A 604	60	18'-11"	1705	B				P 1121	88	25'-0"	11689	S				S 1101	180	21'-0"	20083	S			S 1102	72	30'-0"	11476	S		S 1101	180	21'-0"	20083	S	S 1102	72	30'-0"	11476	S		S 1101	180	21'-0"	20083	S			A 605	32	9'-4"	449	B				P 1122	264	24'-6"	34364	S				S 1102	72	30'-0"	11476	S			S 1101	180	21'-0"	20083	S		S 1102	72	30'-0"	11476	S	S 1101	180	21'-0"	20083	S		S 1102	72	30'-0"	11476	S			A 606	44	5'-4"	352	B																																																																																																																																																																																																																																																																																																																																																																																																																																																																																																																																																																																																																								
S 1101	180	21'-0"	20083	S		S 1102	72	30'-0"	11476	S			A 519	4	8'-11"	37	B				P 1107	104	13'-0"	7183	S				S 1101	180	21'-0"	20083	S				S 1102	72	30'-0"	11476	S			S 1101	180	21'-0"	20083	S		S 1102	72	30'-0"	11476	S	S 1101	180	21'-0"	20083	S		A 520	4	10'-1"	42	B			P 1108	104	15'-9"	8703	S				S 1102	72	30'-0"	11476	S				S 1101	180	21'-0"	20083	S			S 1102	72	30'-0"	11476	S		S 1101	180	21'-0"	20083	S	S 1102	72	30'-0"	11476	S		A 521	4	11'-1"	46	B			P 1109	104	18'-0"	9946	S				S 1101	180	21'-0"	20083	S				S 1102	72	30'-0"	11476	S			S 1101	180	21'-0"	20083	S		S 1102	72	30'-0"	11476	S	S 1101	180	21'-0"	20083	S		A 522	12	4'-7"	57	B			P 1110	104	20'-3"	11189	S				S 1102	72	30'-0"	11476	S				S 1101	180	21'-0"	20083	S			S 1102	72	30'-0"	11476	S		S 1101	180	21'-0"	20083	S	S 1102	72	30'-0"	11476	S		A 523	16	5'-11"	99	B			P 1111	176	22'-6"	21039	S				S 1101	180	21'-0"	20083	S				S 1102	72	30'-0"	11476	S			S 1101	180	21'-0"	20083	S		S 1102	72	30'-0"	11476	S	S 1101	180	21'-0"	20083	S		A 524	12	6'-5"	90	B			P 1112	104	25'-2"	13908	S				S 1102	72	30'-0"	11476	S				S 1101	180	21'-0"	20083	S			S 1102	72	30'-0"	11476	S		S 1101	180	21'-0"	20083	S	S 1102	72	30'-0"	11476	S		A 525	16	6'-9"	113	B			P 1113	176	25'-6"	23845	S				S 1101	180	21'-0"	20083	S				S 1102	72	30'-0"	11476	S			S 1101	180	21'-0"	20083	S		S 1102	72	30'-0"	11476	S	S 1101	180	21'-0"	20083	S		A 526	24	17'-1"	428	S			P 1114	176	26'-6"	24780	S				S 1102	72	30'-0"	11476	S				S 1101	180	21'-0"	20083	S			S 1102	72	30'-0"	11476	S		S 1101	180	21'-0"	20083	S	S 1102	72	30'-0"	11476	S		A 527	4	12'-6"	52	S			P 1115	104	27'-1"	14963	S				S 1101	180	21'-0"	20083	S				S 1102	72	30'-0"	11476	S			S 1101	180	21'-0"	20083	S		S 1102	72	30'-0"	11476	S	S 1101	180	21'-0"	20083	S		A 528	48	6'-11"	346	B			P 1116	104	27'-9"	15333	S				S 1102	72	30'-0"	11476	S				S 1101	180	21'-0"	20083	S			S 1102	72	30'-0"	11476	S		S 1101	180	21'-0"	20083	S	S 1102	72	30'-0"	11476	S		A 529	16	17'-1"	*	S			P 1117	2024	32'-0"	344112	S				S 1101	180	21'-0"	20083	S				S 1102	72	30'-0"	11476	S			S 1101	180	21'-0"	20083	S		S 1102	72	30'-0"	11476	S	S 1101	180	21'-0"	20083	S		A 601	36	13'-2"	1899	B			P 1118	88	29'-6"	13793	S				S 1102	72	30'-0"	11476	S				S 1101	180	21'-0"	20083	S			S 1102	72	30'-0"	11476	S		S 1101	180	21'-0"	20083	S	S 1102	72	30'-0"	11476	S		A 602	8	21'-1"	253	B			P 1119	176	28'-6"	26650	S				S 1101	180	21'-0"	20083	S				S 1102	72	30'-0"	11476	S			S 1101	180	21'-0"	20083	S		S 1102	72	30'-0"	11476	S	S 1101	180	21'-0"	20083	S		A 603	60	19'-6"	1797	B			P 1120	192	26'-2"	26693	S				S 1102	72	30'-0"	11476	S				S 1101	180	21'-0"	20083	S			S 1102	72	30'-0"	11476	S		S 1101	180	21'-0"	20083	S	S 1102	72	30'-0"	11476	S		A 604	60	18'-11"	1705	B			P 1121	88	25'-0"	11689	S				S 1101	180	21'-0"	20083	S				S 1102	72	30'-0"	11476	S			S 1101	180	21'-0"	20083	S		S 1102	72	30'-0"	11476	S	S 1101	180	21'-0"	20083	S		A 605	32	9'-4"	449	B			P 1122	264	24'-6"	34364	S				S 1102	72	30'-0"	11476	S				S 1101	180	21'-0"	20083	S			S 1102	72	30'-0"	11476	S		S 1101	180	21'-0"	20083	S	S 1102	72	30'-0"	11476	S		A 606	44	5'-4"	352	B																																																																																																																																																																																																																																																																																																																																																																																																																																																																																																																																																																																																																															
S 1102	72	30'-0"	11476	S		A 519	4	8'-11"	37	B			P 1107	104	13'-0"	7183	S																																																																																																																																																																																																																																																																																																																																																																																																																																																																																																																																																																																																																																																																																																																																																																																																																																																																																																																																																																																																																																																																																																																																																																																																																																																																																																																																																																																																																
S 1101	180	21'-0"	20083	S		S 1102	72	30'-0"	11476	S			S 1101	180	21'-0"	20083	S				S 1102	72	30'-0"	11476	S				S 1101	180	21'-0"	20083	S				A 520	4	10'-1"	42	B			P 1108	104	15'-9"	8703	S		S 1102	72	30'-0"	11476	S	S 1101	180	21'-0"	20083	S		S 1102	72	30'-0"	11476	S			S 1101	180	21'-0"	20083	S				S 1102	72	30'-0"	11476	S				A 521	4	11'-1"	46	B			P 1109	104	18'-0"	9946	S		S 1101	180	21'-0"	20083	S	S 1102	72	30'-0"	11476	S		S 1101	180	21'-0"	20083	S			S 1102	72	30'-0"	11476	S				S 1101	180	21'-0"	20083	S				A 522	12	4'-7"	57	B			P 1110	104	20'-3"	11189	S		S 1102	72	30'-0"	11476	S	S 1101	180	21'-0"	20083	S		S 1102	72	30'-0"	11476	S			S 1101	180	21'-0"	20083	S				S 1102	72	30'-0"	11476	S				A 523	16	5'-11"	99	B			P 1111	176	22'-6"	21039	S		S 1101	180	21'-0"	20083	S	S 1102	72	30'-0"	11476	S		S 1101	180	21'-0"	20083	S			S 1102	72	30'-0"	11476	S				S 1101	180	21'-0"	20083	S				A 524	12	6'-5"	90	B			P 1112	104	25'-2"	13908	S		S 1102	72	30'-0"	11476	S	S 1101	180	21'-0"	20083	S		S 1102	72	30'-0"	11476	S			S 1101	180	21'-0"	20083	S				S 1102	72	30'-0"	11476	S				A 525	16	6'-9"	113	B			P 1113	176	25'-6"	23845	S		S 1101	180	21'-0"	20083	S	S 1102	72	30'-0"	11476	S		S 1101	180	21'-0"	20083	S			S 1102	72	30'-0"	11476	S				S 1101	180	21'-0"	20083	S				A 526	24	17'-1"	428	S			P 1114	176	26'-6"	24780	S		S 1102	72	30'-0"	11476	S	S 1101	180	21'-0"	20083	S		S 1102	72	30'-0"	11476	S			S 1101	180	21'-0"	20083	S				S 1102	72	30'-0"	11476	S				A 527	4	12'-6"	52	S			P 1115	104	27'-1"	14963	S		S 1101	180	21'-0"	20083	S	S 1102	72	30'-0"	11476	S		S 1101	180	21'-0"	20083	S			S 1102	72	30'-0"	11476	S				S 1101	180	21'-0"	20083	S				A 528	48	6'-11"	346	B			P 1116	104	27'-9"	15333	S		S 1102	72	30'-0"	11476	S	S 1101	180	21'-0"	20083	S		S 1102	72	30'-0"	11476	S			S 1101	180	21'-0"	20083	S				S 1102	72	30'-0"	11476	S				A 529	16	17'-1"	*	S			P 1117	2024	32'-0"	344112	S		S 1101	180	21'-0"	20083	S	S 1102	72	30'-0"	11476	S		S 1101	180	21'-0"	20083	S			S 1102	72	30'-0"	11476	S				S 1101	180	21'-0"	20083	S				A 601	36	13'-2"	1899	B			P 1118	88	29'-6"	13793	S		S 1102	72	30'-0"	11476	S	S 1101	180	21'-0"	20083	S		S 1102	72	30'-0"	11476	S			S 1101	180	21'-0"	20083	S				S 1102	72	30'-0"	11476	S				A 602	8	21'-1"	253	B			P 1119	176	28'-6"	26650	S		S 1101	180	21'-0"	20083	S	S 1102	72	30'-0"	11476	S		S 1101	180	21'-0"	20083	S			S 1102	72	30'-0"	11476	S				S 1101	180	21'-0"	20083	S				A 603	60	19'-6"	1797	B			P 1120	192	26'-2"	26693	S		S 1102	72	30'-0"	11476	S	S 1101	180	21'-0"	20083	S		S 1102	72	30'-0"	11476	S			S 1101	180	21'-0"	20083	S				S 1102	72	30'-0"	11476	S				A 604	60	18'-11"	1705	B			P 1121	88	25'-0"	11689	S		S 1101	180	21'-0"	20083	S	S 1102	72	30'-0"	11476	S		S 1101	180	21'-0"	20083	S			S 1102	72	30'-0"	11476	S				S 1101	180	21'-0"	20083	S				A 605	32	9'-4"	449	B			P 1122	264	24'-6"	34364	S		S 1102	72	30'-0"	11476	S	S 1101	180	21'-0"	20083	S		S 1102	72	30'-0"	11476	S			S 1101	180	21'-0"	20083	S				S 1102	72	30'-0"	11476	S				A 606	44	5'-4"	352	B																																																																																																																																																																																																																																																																																																																																																																																																																																																																																																																																																																																																																																																							
S 1102	72	30'-0"	11476	S		S 1101	180	21'-0"	20083	S			S 1102	72	30'-0"	11476	S				S 1101	180	21'-0"	20083	S				A 520	4	10'-1"	42	B				P 1108	104	15'-9"	8703	S			S 1102	72	30'-0"	11476	S		S 1101	180	21'-0"	20083	S	S 1102	72	30'-0"	11476	S		S 1101	180	21'-0"	20083	S			S 1102	72	30'-0"	11476	S				A 521	4	11'-1"	46	B				P 1109	104	18'-0"	9946	S			S 1101	180	21'-0"	20083	S		S 1102	72	30'-0"	11476	S	S 1101	180	21'-0"	20083	S		S 1102	72	30'-0"	11476	S			S 1101	180	21'-0"	20083	S				A 522	12	4'-7"	57	B				P 1110	104	20'-3"	11189	S			S 1102	72	30'-0"	11476	S		S 1101	180	21'-0"	20083	S	S 1102	72	30'-0"	11476	S		S 1101	180	21'-0"	20083	S			S 1102	72	30'-0"	11476	S				A 523	16	5'-11"	99	B				P 1111	176	22'-6"	21039	S			S 1101	180	21'-0"	20083	S		S 1102	72	30'-0"	11476	S	S 1101	180	21'-0"	20083	S		S 1102	72	30'-0"	11476	S			S 1101	180	21'-0"	20083	S				A 524	12	6'-5"	90	B				P 1112	104	25'-2"	13908	S			S 1102	72	30'-0"	11476	S		S 1101	180	21'-0"	20083	S	S 1102	72	30'-0"	11476	S		S 1101	180	21'-0"	20083	S			S 1102	72	30'-0"	11476	S				A 525	16	6'-9"	113	B				P 1113	176	25'-6"	23845	S			S 1101	180	21'-0"	20083	S		S 1102	72	30'-0"	11476	S	S 1101	180	21'-0"	20083	S		S 1102	72	30'-0"	11476	S			S 1101	180	21'-0"	20083	S				A 526	24	17'-1"	428	S				P 1114	176	26'-6"	24780	S			S 1102	72	30'-0"	11476	S		S 1101	180	21'-0"	20083	S	S 1102	72	30'-0"	11476	S		S 1101	180	21'-0"	20083	S			S 1102	72	30'-0"	11476	S				A 527	4	12'-6"	52	S				P 1115	104	27'-1"	14963	S			S 1101	180	21'-0"	20083	S		S 1102	72	30'-0"	11476	S	S 1101	180	21'-0"	20083	S		S 1102	72	30'-0"	11476	S			S 1101	180	21'-0"	20083	S				A 528	48	6'-11"	346	B				P 1116	104	27'-9"	15333	S			S 1102	72	30'-0"	11476	S		S 1101	180	21'-0"	20083	S	S 1102	72	30'-0"	11476	S		S 1101	180	21'-0"	20083	S			S 1102	72	30'-0"	11476	S				A 529	16	17'-1"	*	S				P 1117	2024	32'-0"	344112	S			S 1101	180	21'-0"	20083	S		S 1102	72	30'-0"	11476	S	S 1101	180	21'-0"	20083	S		S 1102	72	30'-0"	11476	S			S 1101	180	21'-0"	20083	S				A 601	36	13'-2"	1899	B				P 1118	88	29'-6"	13793	S			S 1102	72	30'-0"	11476	S		S 1101	180	21'-0"	20083	S	S 1102	72	30'-0"	11476	S		S 1101	180	21'-0"	20083	S			S 1102	72	30'-0"	11476	S				A 602	8	21'-1"	253	B				P 1119	176	28'-6"	26650	S			S 1101	180	21'-0"	20083	S		S 1102	72	30'-0"	11476	S	S 1101	180	21'-0"	20083	S		S 1102	72	30'-0"	11476	S			S 1101	180	21'-0"	20083	S				A 603	60	19'-6"	1797	B				P 1120	192	26'-2"	26693	S			S 1102	72	30'-0"	11476	S		S 1101	180	21'-0"	20083	S	S 1102	72	30'-0"	11476	S		S 1101	180	21'-0"	20083	S			S 1102	72	30'-0"	11476	S				A 604	60	18'-11"	1705	B				P 1121	88	25'-0"	11689	S			S 1101	180	21'-0"	20083	S		S 1102	72	30'-0"	11476	S	S 1101	180	21'-0"	20083	S		S 1102	72	30'-0"	11476	S			S 1101	180	21'-0"	20083	S				A 605	32	9'-4"	449	B				P 1122	264	24'-6"	34364	S			S 1102	72	30'-0"	11476	S		S 1101	180	21'-0"	20083	S	S 1102	72	30'-0"	11476	S		S 1101	180	21'-0"	20083	S			S 1102	72	30'-0"	11476	S				A 606	44	5'-4"	352	B																																																																																																																																																																																																																																																																																																																																																																																																																																																																																																																																																																																																																																																															
S 1101	180	21'-0"	20083	S		S 1102	72	30'-0"	11476	S			S 1101	180	21'-0"	20083	S				A 520	4	10'-1"	42	B				P 1108	104	15'-9"	8703	S				S 1102	72	30'-0"	11476	S			S 1101	180	21'-0"	20083	S		S 1102	72	30'-0"	11476	S	S 1101	180	21'-0"	20083	S		S 1102	72	30'-0"	11476	S			A 521	4	11'-1"	46	B				P 1109	104	18'-0"	9946	S				S 1101	180	21'-0"	20083	S			S 1102	72	30'-0"	11476	S		S 1101	180	21'-0"	20083	S	S 1102	72	30'-0"	11476	S		S 1101	180	21'-0"	20083	S			A 522	12	4'-7"	57	B				P 1110	104	20'-3"	11189	S				S 1102	72	30'-0"	11476	S			S 1101	180	21'-0"	20083	S		S 1102	72	30'-0"	11476	S	S 1101	180	21'-0"	20083	S		S 1102	72	30'-0"	11476	S			A 523	16	5'-11"	99	B				P 1111	176	22'-6"	21039	S				S 1101	180	21'-0"	20083	S			S 1102	72	30'-0"	11476	S		S 1101	180	21'-0"	20083	S	S 1102	72	30'-0"	11476	S		S 1101	180	21'-0"	20083	S			A 524	12	6'-5"	90	B				P 1112	104	25'-2"	13908	S				S 1102	72	30'-0"	11476	S			S 1101	180	21'-0"	20083	S		S 1102	72	30'-0"	11476	S	S 1101	180	21'-0"	20083	S		S 1102	72	30'-0"	11476	S			A 525	16	6'-9"	113	B				P 1113	176	25'-6"	23845	S				S 1101	180	21'-0"	20083	S			S 1102	72	30'-0"	11476	S		S 1101	180	21'-0"	20083	S	S 1102	72	30'-0"	11476	S		S 1101	180	21'-0"	20083	S			A 526	24	17'-1"	428	S				P 1114	176	26'-6"	24780	S				S 1102	72	30'-0"	11476	S			S 1101	180	21'-0"	20083	S		S 1102	72	30'-0"	11476	S	S 1101	180	21'-0"	20083	S		S 1102	72	30'-0"	11476	S			A 527	4	12'-6"	52	S				P 1115	104	27'-1"	14963	S				S 1101	180	21'-0"	20083	S			S 1102	72	30'-0"	11476	S		S 1101	180	21'-0"	20083	S	S 1102	72	30'-0"	11476	S		S 1101	180	21'-0"	20083	S			A 528	48	6'-11"	346	B				P 1116	104	27'-9"	15333	S				S 1102	72	30'-0"	11476	S			S 1101	180	21'-0"	20083	S		S 1102	72	30'-0"	11476	S	S 1101	180	21'-0"	20083	S		S 1102	72	30'-0"	11476	S			A 529	16	17'-1"	*	S				P 1117	2024	32'-0"	344112	S				S 1101	180	21'-0"	20083	S			S 1102	72	30'-0"	11476	S		S 1101	180	21'-0"	20083	S	S 1102	72	30'-0"	11476	S		S 1101	180	21'-0"	20083	S			A 601	36	13'-2"	1899	B				P 1118	88	29'-6"	13793	S				S 1102	72	30'-0"	11476	S			S 1101	180	21'-0"	20083	S		S 1102	72	30'-0"	11476	S	S 1101	180	21'-0"	20083	S		S 1102	72	30'-0"	11476	S			A 602	8	21'-1"	253	B				P 1119	176	28'-6"	26650	S				S 1101	180	21'-0"	20083	S			S 1102	72	30'-0"	11476	S		S 1101	180	21'-0"	20083	S	S 1102	72	30'-0"	11476	S		S 1101	180	21'-0"	20083	S			A 603	60	19'-6"	1797	B				P 1120	192	26'-2"	26693	S				S 1102	72	30'-0"	11476	S			S 1101	180	21'-0"	20083	S		S 1102	72	30'-0"	11476	S	S 1101	180	21'-0"	20083	S		S 1102	72	30'-0"	11476	S			A 604	60	18'-11"	1705	B				P 1121	88	25'-0"	11689	S				S 1101	180	21'-0"	20083	S			S 1102	72	30'-0"	11476	S		S 1101	180	21'-0"	20083	S	S 1102	72	30'-0"	11476	S		S 1101	180	21'-0"	20083	S			A 605	32	9'-4"	449	B				P 1122	264	24'-6"	34364	S				S 1102	72	30'-0"	11476	S			S 1101	180	21'-0"	20083	S		S 1102	72	30'-0"	11476	S	S 1101	180	21'-0"	20083	S		S 1102	72	30'-0"	11476	S			A 606	44	5'-4"	352	B																																																																																																																																																																																																																																																																																																																																																																																																																																																																																																																																																																																																																																																																							
S 1102	72	30'-0"	11476	S		S 1101	180	21'-0"	20083	S			A 520	4	10'-1"	42	B				P 1108	104	15'-9"	8703	S				S 1102	72	30'-0"	11476	S				S 1101	180	21'-0"	20083	S			S 1102	72	30'-0"	11476	S		S 1101	180	21'-0"	20083	S	S 1102	72	30'-0"	11476	S		A 521	4	11'-1"	46	B			P 1109	104	18'-0"	9946	S				S 1101	180	21'-0"	20083	S				S 1102	72	30'-0"	11476	S			S 1101	180	21'-0"	20083	S		S 1102	72	30'-0"	11476	S	S 1101	180	21'-0"	20083	S		A 522	12	4'-7"	57	B			P 1110	104	20'-3"	11189	S				S 1102	72	30'-0"	11476	S				S 1101	180	21'-0"	20083	S			S 1102	72	30'-0"	11476	S		S 1101	180	21'-0"	20083	S	S 1102	72	30'-0"	11476	S		A 523	16	5'-11"	99	B			P 1111	176	22'-6"	21039	S				S 1101	180	21'-0"	20083	S				S 1102	72	30'-0"	11476	S			S 1101	180	21'-0"	20083	S		S 1102	72	30'-0"	11476	S	S 1101	180	21'-0"	20083	S		A 524	12	6'-5"	90	B			P 1112	104	25'-2"	13908	S				S 1102	72	30'-0"	11476	S				S 1101	180	21'-0"	20083	S			S 1102	72	30'-0"	11476	S		S 1101	180	21'-0"	20083	S	S 1102	72	30'-0"	11476	S		A 525	16	6'-9"	113	B			P 1113	176	25'-6"	23845	S				S 1101	180	21'-0"	20083	S				S 1102	72	30'-0"	11476	S			S 1101	180	21'-0"	20083	S		S 1102	72	30'-0"	11476	S	S 1101	180	21'-0"	20083	S		A 526	24	17'-1"	428	S			P 1114	176	26'-6"	24780	S				S 1102	72	30'-0"	11476	S				S 1101	180	21'-0"	20083	S			S 1102	72	30'-0"	11476	S		S 1101	180	21'-0"	20083	S	S 1102	72	30'-0"	11476	S		A 527	4	12'-6"	52	S			P 1115	104	27'-1"	14963	S				S 1101	180	21'-0"	20083	S				S 1102	72	30'-0"	11476	S			S 1101	180	21'-0"	20083	S		S 1102	72	30'-0"	11476	S	S 1101	180	21'-0"	20083	S		A 528	48	6'-11"	346	B			P 1116	104	27'-9"	15333	S				S 1102	72	30'-0"	11476	S				S 1101	180	21'-0"	20083	S			S 1102	72	30'-0"	11476	S		S 1101	180	21'-0"	20083	S	S 1102	72	30'-0"	11476	S		A 529	16	17'-1"	*	S			P 1117	2024	32'-0"	344112	S				S 1101	180	21'-0"	20083	S				S 1102	72	30'-0"	11476	S			S 1101	180	21'-0"	20083	S		S 1102	72	30'-0"	11476	S	S 1101	180	21'-0"	20083	S		A 601	36	13'-2"	1899	B			P 1118	88	29'-6"	13793	S				S 1102	72	30'-0"	11476	S				S 1101	180	21'-0"	20083	S			S 1102	72	30'-0"	11476	S		S 1101	180	21'-0"	20083	S	S 1102	72	30'-0"	11476	S		A 602	8	21'-1"	253	B			P 1119	176	28'-6"	26650	S				S 1101	180	21'-0"	20083	S				S 1102	72	30'-0"	11476	S			S 1101	180	21'-0"	20083	S		S 1102	72	30'-0"	11476	S	S 1101	180	21'-0"	20083	S		A 603	60	19'-6"	1797	B			P 1120	192	26'-2"	26693	S				S 1102	72	30'-0"	11476	S				S 1101	180	21'-0"	20083	S			S 1102	72	30'-0"	11476	S		S 1101	180	21'-0"	20083	S	S 1102	72	30'-0"	11476	S		A 604	60	18'-11"	1705	B			P 1121	88	25'-0"	11689	S				S 1101	180	21'-0"	20083	S				S 1102	72	30'-0"	11476	S			S 1101	180	21'-0"	20083	S		S 1102	72	30'-0"	11476	S	S 1101	180	21'-0"	20083	S		A 605	32	9'-4"	449	B			P 1122	264	24'-6"	34364	S				S 1102	72	30'-0"	11476	S				S 1101	180	21'-0"	20083	S			S 1102	72	30'-0"	11476	S		S 1101	180	21'-0"	20083	S	S 1102	72	30'-0"	11476	S		A 606	44	5'-4"	352	B																																																																																																																																																																																																																																																																																																																																																																																																																																																																																																																																																																																																																																																																														
S 1101	180	21'-0"	20083	S		A 520	4	10'-1"	42	B			P 1108	104	15'-9"	8703	S																																																																																																																																																																																																																																																																																																																																																																																																																																																																																																																																																																																																																																																																																																																																																																																																																																																																																																																																																																																																																																																																																																																																																																																																																																																																																																																																																																																																																
S 1102	72	30'-0"	11476	S		S 1101	180	21'-0"	20083	S			S 1102	72	30'-0"	11476	S				S 1101	180	21'-0"	20083	S				S 1102	72	30'-0"	11476	S				A 521	4	11'-1"	46	B			P 1109	104	18'-0"	9946	S		S 1101	180	21'-0"	20083	S	S 1102	72	30'-0"	11476	S		S 1101	180	21'-0"	20083	S			S 1102	72	30'-0"	11476	S				S 1101	180	21'-0"	20083	S				A 522	12	4'-7"	57	B			P 1110	104	20'-3"	11189	S		S 1102	72	30'-0"	11476	S	S 1101	180	21'-0"	20083	S		S 1102	72	30'-0"	11476	S			S 1101	180	21'-0"	20083	S				S 1102	72	30'-0"	11476	S				A 523	16	5'-11"	99	B			P 1111	176	22'-6"	21039	S		S 1101	180	21'-0"	20083	S	S 1102	72	30'-0"	11476	S		S 1101	180	21'-0"	20083	S			S 1102	72	30'-0"	11476	S				S 1101	180	21'-0"	20083	S				A 524	12	6'-5"	90	B			P 1112	104	25'-2"	13908	S		S 1102	72	30'-0"	11476	S	S 1101	180	21'-0"	20083	S		S 1102	72	30'-0"	11476	S			S 1101	180	21'-0"	20083	S				S 1102	72	30'-0"	11476	S				A 525	16	6'-9"	113	B			P 1113	176	25'-6"	23845	S		S 1101	180	21'-0"	20083	S	S 1102	72	30'-0"	11476	S		S 1101	180	21'-0"	20083	S			S 1102	72	30'-0"	11476	S				S 1101	180	21'-0"	20083	S				A 526	24	17'-1"	428	S			P 1114	176	26'-6"	24780	S		S 1102	72	30'-0"	11476	S	S 1101	180	21'-0"	20083	S		S 1102	72	30'-0"	11476	S			S 1101	180	21'-0"	20083	S				S 1102	72	30'-0"	11476	S				A 527	4	12'-6"	52	S			P 1115	104	27'-1"	14963	S		S 1101	180	21'-0"	20083	S	S 1102	72	30'-0"	11476	S		S 1101	180	21'-0"	20083	S			S 1102	72	30'-0"	11476	S				S 1101	180	21'-0"	20083	S				A 528	48	6'-11"	346	B			P 1116	104	27'-9"	15333	S		S 1102	72	30'-0"	11476	S	S 1101	180	21'-0"	20083	S		S 1102	72	30'-0"	11476	S			S 1101	180	21'-0"	20083	S				S 1102	72	30'-0"	11476	S				A 529	16	17'-1"	*	S			P 1117	2024	32'-0"	344112	S		S 1101	180	21'-0"	20083	S	S 1102	72	30'-0"	11476	S		S 1101	180	21'-0"	20083	S			S 1102	72	30'-0"	11476	S				S 1101	180	21'-0"	20083	S				A 601	36	13'-2"	1899	B			P 1118	88	29'-6"	13793	S		S 1102	72	30'-0"	11476	S	S 1101	180	21'-0"	20083	S		S 1102	72	30'-0"	11476	S			S 1101	180	21'-0"	20083	S				S 1102	72	30'-0"	11476	S				A 602	8	21'-1"	253	B			P 1119	176	28'-6"	26650	S		S 1101	180	21'-0"	20083	S	S 1102	72	30'-0"	11476	S		S 1101	180	21'-0"	20083	S			S 1102	72	30'-0"	11476	S				S 1101	180	21'-0"	20083	S				A 603	60	19'-6"	1797	B			P 1120	192	26'-2"	26693	S		S 1102	72	30'-0"	11476	S	S 1101	180	21'-0"	20083	S		S 1102	72	30'-0"	11476	S			S 1101	180	21'-0"	20083	S				S 1102	72	30'-0"	11476	S				A 604	60	18'-11"	1705	B			P 1121	88	25'-0"	11689	S		S 1101	180	21'-0"	20083	S	S 1102	72	30'-0"	11476	S		S 1101	180	21'-0"	20083	S			S 1102	72	30'-0"	11476	S				S 1101	180	21'-0"	20083	S				A 605	32	9'-4"	449	B			P 1122	264	24'-6"	34364	S		S 1102	72	30'-0"	11476	S	S 1101	180	21'-0"	20083	S		S 1102	72	30'-0"	11476	S			S 1101	180	21'-0"	20083	S				S 1102	72	30'-0"	11476	S				A 606	44	5'-4"	352	B																																																																																																																																																																																																																																																																																																																																																																																																																																																																																																																																																																																																																																																																																																						
S 1101	180	21'-0"	20083	S		S 1102	72	30'-0"	11476	S			S 1101	180	21'-0"	20083	S				S 1102	72	30'-0"	11476	S				A 521	4	11'-1"	46	B				P 1109	104	18'-0"	9946	S			S 1101	180	21'-0"	20083	S		S 1102	72	30'-0"	11476	S	S 1101	180	21'-0"	20083	S		S 1102	72	30'-0"	11476	S			S 1101	180	21'-0"	20083	S				A 522	12	4'-7"	57	B				P 1110	104	20'-3"	11189	S			S 1102	72	30'-0"	11476	S		S 1101	180	21'-0"	20083	S	S 1102	72	30'-0"	11476	S		S 1101	180	21'-0"	20083	S			S 1102	72	30'-0"	11476	S				A 523	16	5'-11"	99	B				P 1111	176	22'-6"	21039	S			S 1101	180	21'-0"	20083	S		S 1102	72	30'-0"	11476	S	S 1101	180	21'-0"	20083	S		S 1102	72	30'-0"	11476	S			S 1101	180	21'-0"	20083	S				A 524	12	6'-5"	90	B				P 1112	104	25'-2"	13908	S			S 1102	72	30'-0"	11476	S		S 1101	180	21'-0"	20083	S	S 1102	72	30'-0"	11476	S		S 1101	180	21'-0"	20083	S			S 1102	72	30'-0"	11476	S				A 525	16	6'-9"	113	B				P 1113	176	25'-6"	23845	S			S 1101	180	21'-0"	20083	S		S 1102	72	30'-0"	11476	S	S 1101	180	21'-0"	20083	S		S 1102	72	30'-0"	11476	S			S 1101	180	21'-0"	20083	S				A 526	24	17'-1"	428	S				P 1114	176	26'-6"	24780	S			S 1102	72	30'-0"	11476	S		S 1101	180	21'-0"	20083	S	S 1102	72	30'-0"	11476	S		S 1101	180	21'-0"	20083	S			S 1102	72	30'-0"	11476	S				A 527	4	12'-6"	52	S				P 1115	104	27'-1"	14963	S			S 1101	180	21'-0"	20083	S		S 1102	72	30'-0"	11476	S	S 1101	180	21'-0"	20083	S		S 1102	72	30'-0"	11476	S			S 1101	180	21'-0"	20083	S				A 528	48	6'-11"	346	B				P 1116	104	27'-9"	15333	S			S 1102	72	30'-0"	11476	S		S 1101	180	21'-0"	20083	S	S 1102	72	30'-0"	11476	S		S 1101	180	21'-0"	20083	S			S 1102	72	30'-0"	11476	S				A 529	16	17'-1"	*	S				P 1117	2024	32'-0"	344112	S			S 1101	180	21'-0"	20083	S		S 1102	72	30'-0"	11476	S	S 1101	180	21'-0"	20083	S		S 1102	72	30'-0"	11476	S			S 1101	180	21'-0"	20083	S				A 601	36	13'-2"	1899	B				P 1118	88	29'-6"	13793	S			S 1102	72	30'-0"	11476	S		S 1101	180	21'-0"	20083	S	S 1102	72	30'-0"	11476	S		S 1101	180	21'-0"	20083	S			S 1102	72	30'-0"	11476	S				A 602	8	21'-1"	253	B				P 1119	176	28'-6"	26650	S			S 1101	180	21'-0"	20083	S		S 1102	72	30'-0"	11476	S	S 1101	180	21'-0"	20083	S		S 1102	72	30'-0"	11476	S			S 1101	180	21'-0"	20083	S				A 603	60	19'-6"	1797	B				P 1120	192	26'-2"	26693	S			S 1102	72	30'-0"	11476	S		S 1101	180	21'-0"	20083	S	S 1102	72	30'-0"	11476	S		S 1101	180	21'-0"	20083	S			S 1102	72	30'-0"	11476	S				A 604	60	18'-11"	1705	B				P 1121	88	25'-0"	11689	S			S 1101	180	21'-0"	20083	S		S 1102	72	30'-0"	11476	S	S 1101	180	21'-0"	20083	S		S 1102	72	30'-0"	11476	S			S 1101	180	21'-0"	20083	S				A 605	32	9'-4"	449	B				P 1122	264	24'-6"	34364	S			S 1102	72	30'-0"	11476	S		S 1101	180	21'-0"	20083	S	S 1102	72	30'-0"	11476	S		S 1101	180	21'-0"	20083	S			S 1102	72	30'-0"	11476	S				A 606	44	5'-4"	352	B																																																																																																																																																																																																																																																																																																																																																																																																																																																																																																																																																																																																																																																																																																														
S 1102	72	30'-0"	11476	S		S 1101	180	21'-0"	20083	S			S 1102	72	30'-0"	11476	S				A 521	4	11'-1"	46	B				P 1109	104	18'-0"	9946	S				S 1101	180	21'-0"	20083	S			S 1102	72	30'-0"	11476	S		S 1101	180	21'-0"	20083	S	S 1102	72	30'-0"	11476	S		S 1101	180	21'-0"	20083	S			A 522	12	4'-7"	57	B				P 1110	104	20'-3"	11189	S				S 1102	72	30'-0"	11476	S			S 1101	180	21'-0"	20083	S		S 1102	72	30'-0"	11476	S	S 1101	180	21'-0"	20083	S		S 1102	72	30'-0"	11476	S			A 523	16	5'-11"	99	B				P 1111	176	22'-6"	21039	S				S 1101	180	21'-0"	20083	S			S 1102	72	30'-0"	11476	S		S 1101	180	21'-0"	20083	S	S 1102	72	30'-0"	11476	S		S 1101	180	21'-0"	20083	S			A 524	12	6'-5"	90	B				P 1112	104	25'-2"	13908	S				S 1102	72	30'-0"	11476	S			S 1101	180	21'-0"	20083	S		S 1102	72	30'-0"	11476	S	S 1101	180	21'-0"	20083	S		S 1102	72	30'-0"	11476	S			A 525	16	6'-9"	113	B				P 1113	176	25'-6"	23845	S				S 1101	180	21'-0"	20083	S			S 1102	72	30'-0"	11476	S		S 1101	180	21'-0"	20083	S	S 1102	72	30'-0"	11476	S		S 1101	180	21'-0"	20083	S			A 526	24	17'-1"	428	S				P 1114	176	26'-6"	24780	S				S 1102	72	30'-0"	11476	S			S 1101	180	21'-0"	20083	S		S 1102	72	30'-0"	11476	S	S 1101	180	21'-0"	20083	S		S 1102	72	30'-0"	11476	S			A 527	4	12'-6"	52	S				P 1115	104	27'-1"	14963	S				S 1101	180	21'-0"	20083	S			S 1102	72	30'-0"	11476	S		S 1101	180	21'-0"	20083	S	S 1102	72	30'-0"	11476	S		S 1101	180	21'-0"	20083	S			A 528	48	6'-11"	346	B				P 1116	104	27'-9"	15333	S				S 1102	72	30'-0"	11476	S			S 1101	180	21'-0"	20083	S		S 1102	72	30'-0"	11476	S	S 1101	180	21'-0"	20083	S		S 1102	72	30'-0"	11476	S			A 529	16	17'-1"	*	S				P 1117	2024	32'-0"	344112	S				S 1101	180	21'-0"	20083	S			S 1102	72	30'-0"	11476	S		S 1101	180	21'-0"	20083	S	S 1102	72	30'-0"	11476	S		S 1101	180	21'-0"	20083	S			A 601	36	13'-2"	1899	B				P 1118	88	29'-6"	13793	S				S 1102	72	30'-0"	11476	S			S 1101	180	21'-0"	20083	S		S 1102	72	30'-0"	11476	S	S 1101	180	21'-0"	20083	S		S 1102	72	30'-0"	11476	S			A 602	8	21'-1"	253	B				P 1119	176	28'-6"	26650	S				S 1101	180	21'-0"	20083	S			S 1102	72	30'-0"	11476	S		S 1101	180	21'-0"	20083	S	S 1102	72	30'-0"	11476	S		S 1101	180	21'-0"	20083	S			A 603	60	19'-6"	1797	B				P 1120	192	26'-2"	26693	S				S 1102	72	30'-0"	11476	S			S 1101	180	21'-0"	20083	S		S 1102	72	30'-0"	11476	S	S 1101	180	21'-0"	20083	S		S 1102	72	30'-0"	11476	S			A 604	60	18'-11"	1705	B				P 1121	88	25'-0"	11689	S				S 1101	180	21'-0"	20083	S			S 1102	72	30'-0"	11476	S		S 1101	180	21'-0"	20083	S	S 1102	72	30'-0"	11476	S		S 1101	180	21'-0"	20083	S			A 605	32	9'-4"	449	B				P 1122	264	24'-6"	34364	S				S 1102	72	30'-0"	11476	S			S 1101	180	21'-0"	20083	S		S 1102	72	30'-0"	11476	S	S 1101	180	21'-0"	20083	S		S 1102	72	30'-0"	11476	S			A 606	44	5'-4"	352	B																																																																																																																																																																																																																																																																																																																																																																																																																																																																																																																																																																																																																																																																																																																						
S 1101	180	21'-0"	20083	S		S 1102	72	30'-0"	11476	S			A 521	4	11'-1"	46	B				P 1109	104	18'-0"	9946	S				S 1101	180	21'-0"	20083	S				S 1102	72	30'-0"	11476	S			S 1101	180	21'-0"	20083	S		S 1102	72	30'-0"	11476	S	S 1101	180	21'-0"	20083	S		A 522	12	4'-7"	57	B			P 1110	104	20'-3"	11189	S				S 1102	72	30'-0"	11476	S				S 1101	180	21'-0"	20083	S			S 1102	72	30'-0"	11476	S		S 1101	180	21'-0"	20083	S	S 1102	72	30'-0"	11476	S		A 523	16	5'-11"	99	B			P 1111	176	22'-6"	21039	S				S 1101	180	21'-0"	20083	S				S 1102	72	30'-0"	11476	S			S 1101	180	21'-0"	20083	S		S 1102	72	30'-0"	11476	S	S 1101	180	21'-0"	20083	S		A 524	12	6'-5"	90	B			P 1112	104	25'-2"	13908	S				S 1102	72	30'-0"	11476	S				S 1101	180	21'-0"	20083	S			S 1102	72	30'-0"	11476	S		S 1101	180	21'-0"	20083	S	S 1102	72	30'-0"	11476	S		A 525	16	6'-9"	113	B			P 1113	176	25'-6"	23845	S				S 1101	180	21'-0"	20083	S				S 1102	72	30'-0"	11476	S			S 1101	180	21'-0"	20083	S		S 1102	72	30'-0"	11476	S	S 1101	180	21'-0"	20083	S		A 526	24	17'-1"	428	S			P 1114	176	26'-6"	24780	S				S 1102	72	30'-0"	11476	S				S 1101	180	21'-0"	20083	S			S 1102	72	30'-0"	11476	S		S 1101	180	21'-0"	20083	S	S 1102	72	30'-0"	11476	S		A 527	4	12'-6"	52	S			P 1115	104	27'-1"	14963	S				S 1101	180	21'-0"	20083	S				S 1102	72	30'-0"	11476	S			S 1101	180	21'-0"	20083	S		S 1102	72	30'-0"	11476	S	S 1101	180	21'-0"	20083	S		A 528	48	6'-11"	346	B			P 1116	104	27'-9"	15333	S				S 1102	72	30'-0"	11476	S				S 1101	180	21'-0"	20083	S			S 1102	72	30'-0"	11476	S		S 1101	180	21'-0"	20083	S	S 1102	72	30'-0"	11476	S		A 529	16	17'-1"	*	S			P 1117	2024	32'-0"	344112	S				S 1101	180	21'-0"	20083	S				S 1102	72	30'-0"	11476	S			S 1101	180	21'-0"	20083	S		S 1102	72	30'-0"	11476	S	S 1101	180	21'-0"	20083	S		A 601	36	13'-2"	1899	B			P 1118	88	29'-6"	13793	S				S 1102	72	30'-0"	11476	S				S 1101	180	21'-0"	20083	S			S 1102	72	30'-0"	11476	S		S 1101	180	21'-0"	20083	S	S 1102	72	30'-0"	11476	S		A 602	8	21'-1"	253	B			P 1119	176	28'-6"	26650	S				S 1101	180	21'-0"	20083	S				S 1102	72	30'-0"	11476	S			S 1101	180	21'-0"	20083	S		S 1102	72	30'-0"	11476	S	S 1101	180	21'-0"	20083	S		A 603	60	19'-6"	1797	B			P 1120	192	26'-2"	26693	S				S 1102	72	30'-0"	11476	S				S 1101	180	21'-0"	20083	S			S 1102	72	30'-0"	11476	S		S 1101	180	21'-0"	20083	S	S 1102	72	30'-0"	11476	S		A 604	60	18'-11"	1705	B			P 1121	88	25'-0"	11689	S				S 1101	180	21'-0"	20083	S				S 1102	72	30'-0"	11476	S			S 1101	180	21'-0"	20083	S		S 1102	72	30'-0"	11476	S	S 1101	180	21'-0"	20083	S		A 605	32	9'-4"	449	B			P 1122	264	24'-6"	34364	S				S 1102	72	30'-0"	11476	S				S 1101	180	21'-0"	20083	S			S 1102	72	30'-0"	11476	S		S 1101	180	21'-0"	20083	S	S 1102	72	30'-0"	11476	S		A 606	44	5'-4"	352	B																																																																																																																																																																																																																																																																																																																																																																																																																																																																																																																																																																																																																																																																																																																													
S 1102	72	30'-0"	11476	S		A 521	4	11'-1"	46	B			P 1109	104	18'-0"	9946	S																																																																																																																																																																																																																																																																																																																																																																																																																																																																																																																																																																																																																																																																																																																																																																																																																																																																																																																																																																																																																																																																																																																																																																																																																																																																																																																																																																																																																
S 1101	180	21'-0"	20083	S		S 1102	72	30'-0"	11476	S			S 1101	180	21'-0"	20083	S				S 1102	72	30'-0"	11476	S				S 1101	180	21'-0"	20083	S				A 522	12	4'-7"	57	B			P 1110	104	20'-3"	11189	S		S 1102	72	30'-0"	11476	S	S 1101	180	21'-0"	20083	S		S 1102	72	30'-0"	11476	S			S 1101	180	21'-0"	20083	S				S 1102	72	30'-0"	11476	S				A 523	16	5'-11"	99	B			P 1111	176	22'-6"	21039	S		S 1101	180	21'-0"	20083	S	S 1102	72	30'-0"	11476	S		S 1101	180	21'-0"	20083	S			S 1102	72	30'-0"	11476	S				S 1101	180	21'-0"	20083	S				A 524	12	6'-5"	90	B			P 1112	104	25'-2"	13908	S		S 1102	72	30'-0"	11476	S	S 1101	180	21'-0"	20083	S		S 1102	72	30'-0"	11476	S			S 1101	180	21'-0"	20083	S				S 1102	72	30'-0"	11476	S				A 525	16	6'-9"	113	B			P 1113	176	25'-6"	23845	S		S 1101	180	21'-0"	20083	S	S 1102	72	30'-0"	11476	S		S 1101	180	21'-0"	20083	S			S 1102	72	30'-0"	11476	S				S 1101	180	21'-0"	20083	S				A 526	24	17'-1"	428	S			P 1114	176	26'-6"	24780	S		S 1102	72	30'-0"	11476	S	S 1101	180	21'-0"	20083	S		S 1102	72	30'-0"	11476	S			S 1101	180	21'-0"	20083	S				S 1102	72	30'-0"	11476	S				A 527	4	12'-6"	52	S			P 1115	104	27'-1"	14963	S		S 1101	180	21'-0"	20083	S	S 1102	72	30'-0"	11476	S		S 1101	180	21'-0"	20083	S			S 1102	72	30'-0"	11476	S				S 1101	180	21'-0"	20083	S				A 528	48	6'-11"	346	B			P 1116	104	27'-9"	15333	S		S 1102	72	30'-0"	11476	S	S 1101	180	21'-0"	20083	S		S 1102	72	30'-0"	11476	S			S 1101	180	21'-0"	20083	S				S 1102	72	30'-0"	11476	S				A 529	16	17'-1"	*	S			P 1117	2024	32'-0"	344112	S		S 1101	180	21'-0"	20083	S	S 1102	72	30'-0"	11476	S		S 1101	180	21'-0"	20083	S			S 1102	72	30'-0"	11476	S				S 1101	180	21'-0"	20083	S				A 601	36	13'-2"	1899	B			P 1118	88	29'-6"	13793	S		S 1102	72	30'-0"	11476	S	S 1101	180	21'-0"	20083	S		S 1102	72	30'-0"	11476	S			S 1101	180	21'-0"	20083	S				S 1102	72	30'-0"	11476	S				A 602	8	21'-1"	253	B			P 1119	176	28'-6"	26650	S		S 1101	180	21'-0"	20083	S	S 1102	72	30'-0"	11476	S		S 1101	180	21'-0"	20083	S			S 1102	72	30'-0"	11476	S				S 1101	180	21'-0"	20083	S				A 603	60	19'-6"	1797	B			P 1120	192	26'-2"	26693	S		S 1102	72	30'-0"	11476	S	S 1101	180	21'-0"	20083	S		S 1102	72	30'-0"	11476	S			S 1101	180	21'-0"	20083	S				S 1102	72	30'-0"	11476	S				A 604	60	18'-11"	1705	B			P 1121	88	25'-0"	11689	S		S 1101	180	21'-0"	20083	S	S 1102	72	30'-0"	11476	S		S 1101	180	21'-0"	20083	S			S 1102	72	30'-0"	11476	S				S 1101	180	21'-0"	20083	S				A 605	32	9'-4"	449	B			P 1122	264	24'-6"	34364	S		S 1102	72	30'-0"	11476	S	S 1101	180	21'-0"	20083	S		S 1102	72	30'-0"	11476	S			S 1101	180	21'-0"	20083	S				S 1102	72	30'-0"	11476	S				A 606	44	5'-4"	352	B																																																																																																																																																																																																																																																																																																																																																																																																																																																																																																																																																																																																																																																																																																																																																					
S 1102	72	30'-0"	11476	S		S 1101	180	21'-0"	20083	S			S 1102	72	30'-0"	11476	S				S 1101	180	21'-0"	20083	S				A 522	12	4'-7"	57	B				P 1110	104	20'-3"	11189	S			S 1102	72	30'-0"	11476	S		S 1101	180	21'-0"	20083	S	S 1102	72	30'-0"	11476	S		S 1101	180	21'-0"	20083	S			S 1102	72	30'-0"	11476	S				A 523	16	5'-11"	99	B				P 1111	176	22'-6"	21039	S			S 1101	180	21'-0"	20083	S		S 1102	72	30'-0"	11476	S	S 1101	180	21'-0"	20083	S		S 1102	72	30'-0"	11476	S			S 1101	180	21'-0"	20083	S				A 524	12	6'-5"	90	B				P 1112	104	25'-2"	13908	S			S 1102	72	30'-0"	11476	S		S 1101	180	21'-0"	20083	S	S 1102	72	30'-0"	11476	S		S 1101	180	21'-0"	20083	S			S 1102	72	30'-0"	11476	S				A 525	16	6'-9"	113	B				P 1113	176	25'-6"	23845	S			S 1101	180	21'-0"	20083	S		S 1102	72	30'-0"	11476	S	S 1101	180	21'-0"	20083	S		S 1102	72	30'-0"	11476	S			S 1101	180	21'-0"	20083	S				A 526	24	17'-1"	428	S				P 1114	176	26'-6"	24780	S			S 1102	72	30'-0"	11476	S		S 1101	180	21'-0"	20083	S	S 1102	72	30'-0"	11476	S		S 1101	180	21'-0"	20083	S			S 1102	72	30'-0"	11476	S				A 527	4	12'-6"	52	S				P 1115	104	27'-1"	14963	S			S 1101	180	21'-0"	20083	S		S 1102	72	30'-0"	11476	S	S 1101	180	21'-0"	20083	S		S 1102	72	30'-0"	11476	S			S 1101	180	21'-0"	20083	S				A 528	48	6'-11"	346	B				P 1116	104	27'-9"	15333	S			S 1102	72	30'-0"	11476	S		S 1101	180	21'-0"	20083	S	S 1102	72	30'-0"	11476	S		S 1101	180	21'-0"	20083	S			S 1102	72	30'-0"	11476	S				A 529	16	17'-1"	*	S				P 1117	2024	32'-0"	344112	S			S 1101	180	21'-0"	20083	S		S 1102	72	30'-0"	11476	S	S 1101	180	21'-0"	20083	S		S 1102	72	30'-0"	11476	S			S 1101	180	21'-0"	20083	S				A 601	36	13'-2"	1899	B				P 1118	88	29'-6"	13793	S			S 1102	72	30'-0"	11476	S		S 1101	180	21'-0"	20083	S	S 1102	72	30'-0"	11476	S		S 1101	180	21'-0"	20083	S			S 1102	72	30'-0"	11476	S				A 602	8	21'-1"	253	B				P 1119	176	28'-6"	26650	S			S 1101	180	21'-0"	20083	S		S 1102	72	30'-0"	11476	S	S 1101	180	21'-0"	20083	S		S 1102	72	30'-0"	11476	S			S 1101	180	21'-0"	20083	S				A 603	60	19'-6"	1797	B				P 1120	192	26'-2"	26693	S			S 1102	72	30'-0"	11476	S		S 1101	180	21'-0"	20083	S	S 1102	72	30'-0"	11476	S		S 1101	180	21'-0"	20083	S			S 1102	72	30'-0"	11476	S				A 604	60	18'-11"	1705	B				P 1121	88	25'-0"	11689	S			S 1101	180	21'-0"	20083	S		S 1102	72	30'-0"	11476	S	S 1101	180	21'-0"	20083	S		S 1102	72	30'-0"	11476	S			S 1101	180	21'-0"	20083	S				A 605	32	9'-4"	449	B				P 1122	264	24'-6"	34364	S			S 1102	72	30'-0"	11476	S		S 1101	180	21'-0"	20083	S	S 1102	72	30'-0"	11476	S		S 1101	180	21'-0"	20083	S			S 1102	72	30'-0"	11476	S				A 606	44	5'-4"	352	B																																																																																																																																																																																																																																																																																																																																																																																																																																																																																																																																																																																																																																																																																																																																																													
S 1101	180	21'-0"	20083	S		S 1102	72	30'-0"	11476	S			S 1101	180	21'-0"	20083	S				A 522	12	4'-7"	57	B				P 1110	104	20'-3"	11189	S				S 1102	72	30'-0"	11476	S			S 1101	180	21'-0"	20083	S		S 1102	72	30'-0"	11476	S	S 1101	180	21'-0"	20083	S		S 1102	72	30'-0"	11476	S			A 523	16	5'-11"	99	B				P 1111	176	22'-6"	21039	S				S 1101	180	21'-0"	20083	S			S 1102	72	30'-0"	11476	S		S 1101	180	21'-0"	20083	S	S 1102	72	30'-0"	11476	S		S 1101	180	21'-0"	20083	S			A 524	12	6'-5"	90	B				P 1112	104	25'-2"	13908	S				S 1102	72	30'-0"	11476	S			S 1101	180	21'-0"	20083	S		S 1102	72	30'-0"	11476	S	S 1101	180	21'-0"	20083	S		S 1102	72	30'-0"	11476	S			A 525	16	6'-9"	113	B				P 1113	176	25'-6"	23845	S				S 1101	180	21'-0"	20083	S			S 1102	72	30'-0"	11476	S		S 1101	180	21'-0"	20083	S	S 1102	72	30'-0"	11476	S		S 1101	180	21'-0"	20083	S			A 526	24	17'-1"	428	S				P 1114	176	26'-6"	24780	S				S 1102	72	30'-0"	11476	S			S 1101	180	21'-0"	20083	S		S 1102	72	30'-0"	11476	S	S 1101	180	21'-0"	20083	S		S 1102	72	30'-0"	11476	S			A 527	4	12'-6"	52	S				P 1115	104	27'-1"	14963	S				S 1101	180	21'-0"	20083	S			S 1102	72	30'-0"	11476	S		S 1101	180	21'-0"	20083	S	S 1102	72	30'-0"	11476	S		S 1101	180	21'-0"	20083	S			A 528	48	6'-11"	346	B				P 1116	104	27'-9"	15333	S				S 1102	72	30'-0"	11476	S			S 1101	180	21'-0"	20083	S		S 1102	72	30'-0"	11476	S	S 1101	180	21'-0"	20083	S		S 1102	72	30'-0"	11476	S			A 529	16	17'-1"	*	S				P 1117	2024	32'-0"	344112	S				S 1101	180	21'-0"	20083	S			S 1102	72	30'-0"	11476	S		S 1101	180	21'-0"	20083	S	S 1102	72	30'-0"	11476	S		S 1101	180	21'-0"	20083	S			A 601	36	13'-2"	1899	B				P 1118	88	29'-6"	13793	S				S 1102	72	30'-0"	11476	S			S 1101	180	21'-0"	20083	S		S 1102	72	30'-0"	11476	S	S 1101	180	21'-0"	20083	S		S 1102	72	30'-0"	11476	S			A 602	8	21'-1"	253	B				P 1119	176	28'-6"	26650	S				S 1101	180	21'-0"	20083	S			S 1102	72	30'-0"	11476	S		S 1101	180	21'-0"	20083	S	S 1102	72	30'-0"	11476	S		S 1101	180	21'-0"	20083	S			A 603	60	19'-6"	1797	B				P 1120	192	26'-2"	26693	S				S 1102	72	30'-0"	11476	S			S 1101	180	21'-0"	20083	S		S 1102	72	30'-0"	11476	S	S 1101	180	21'-0"	20083	S		S 1102	72	30'-0"	11476	S			A 604	60	18'-11"	1705	B				P 1121	88	25'-0"	11689	S				S 1101	180	21'-0"	20083	S			S 1102	72	30'-0"	11476	S		S 1101	180	21'-0"	20083	S	S 1102	72	30'-0"	11476	S		S 1101	180	21'-0"	20083	S			A 605	32	9'-4"	449	B				P 1122	264	24'-6"	34364	S				S 1102	72	30'-0"	11476	S			S 1101	180	21'-0"	20083	S		S 1102	72	30'-0"	11476	S	S 1101	180	21'-0"	20083	S		S 1102	72	30'-0"	11476	S			A 606	44	5'-4"	352	B																																																																																																																																																																																																																																																																																																																																																																																																																																																																																																																																																																																																																																																																																																																																																																					
S 1102	72	30'-0"	11476	S		S 1101	180	21'-0"	20083	S			A 522	12	4'-7"	57	B				P 1110	104	20'-3"	11189	S				S 1102	72	30'-0"	11476	S				S 1101	180	21'-0"	20083	S			S 1102	72	30'-0"	11476	S		S 1101	180	21'-0"	20083	S	S 1102	72	30'-0"	11476	S		A 523	16	5'-11"	99	B			P 1111	176	22'-6"	21039	S				S 1101	180	21'-0"	20083	S				S 1102	72	30'-0"	11476	S			S 1101	180	21'-0"	20083	S		S 1102	72	30'-0"	11476	S	S 1101	180	21'-0"	20083	S		A 524	12	6'-5"	90	B			P 1112	104	25'-2"	13908	S				S 1102	72	30'-0"	11476	S				S 1101	180	21'-0"	20083	S			S 1102	72	30'-0"	11476	S		S 1101	180	21'-0"	20083	S	S 1102	72	30'-0"	11476	S		A 525	16	6'-9"	113	B			P 1113	176	25'-6"	23845	S				S 1101	180	21'-0"	20083	S				S 1102	72	30'-0"	11476	S			S 1101	180	21'-0"	20083	S		S 1102	72	30'-0"	11476	S	S 1101	180	21'-0"	20083	S		A 526	24	17'-1"	428	S			P 1114	176	26'-6"	24780	S				S 1102	72	30'-0"	11476	S				S 1101	180	21'-0"	20083	S			S 1102	72	30'-0"	11476	S		S 1101	180	21'-0"	20083	S	S 1102	72	30'-0"	11476	S		A 527	4	12'-6"	52	S			P 1115	104	27'-1"	14963	S				S 1101	180	21'-0"	20083	S				S 1102	72	30'-0"	11476	S			S 1101	180	21'-0"	20083	S		S 1102	72	30'-0"	11476	S	S 1101	180	21'-0"	20083	S		A 528	48	6'-11"	346	B			P 1116	104	27'-9"	15333	S				S 1102	72	30'-0"	11476	S				S 1101	180	21'-0"	20083	S			S 1102	72	30'-0"	11476	S		S 1101	180	21'-0"	20083	S	S 1102	72	30'-0"	11476	S		A 529	16	17'-1"	*	S			P 1117	2024	32'-0"	344112	S				S 1101	180	21'-0"	20083	S				S 1102	72	30'-0"	11476	S			S 1101	180	21'-0"	20083	S		S 1102	72	30'-0"	11476	S	S 1101	180	21'-0"	20083	S		A 601	36	13'-2"	1899	B			P 1118	88	29'-6"	13793	S				S 1102	72	30'-0"	11476	S				S 1101	180	21'-0"	20083	S			S 1102	72	30'-0"	11476	S		S 1101	180	21'-0"	20083	S	S 1102	72	30'-0"	11476	S		A 602	8	21'-1"	253	B			P 1119	176	28'-6"	26650	S				S 1101	180	21'-0"	20083	S				S 1102	72	30'-0"	11476	S			S 1101	180	21'-0"	20083	S		S 1102	72	30'-0"	11476	S	S 1101	180	21'-0"	20083	S		A 603	60	19'-6"	1797	B			P 1120	192	26'-2"	26693	S				S 1102	72	30'-0"	11476	S				S 1101	180	21'-0"	20083	S			S 1102	72	30'-0"	11476	S		S 1101	180	21'-0"	20083	S	S 1102	72	30'-0"	11476	S		A 604	60	18'-11"	1705	B			P 1121	88	25'-0"	11689	S				S 1101	180	21'-0"	20083	S				S 1102	72	30'-0"	11476	S			S 1101	180	21'-0"	20083	S		S 1102	72	30'-0"	11476	S	S 1101	180	21'-0"	20083	S		A 605	32	9'-4"	449	B			P 1122	264	24'-6"	34364	S				S 1102	72	30'-0"	11476	S				S 1101	180	21'-0"	20083	S			S 1102	72	30'-0"	11476	S		S 1101	180	21'-0"	20083	S	S 1102	72	30'-0"	11476	S		A 606	44	5'-4"	352	B																																																																																																																																																																																																																																																																																																																																																																																																																																																																																																																																																																																																																																																																																																																																																																												
S 1101	180	21'-0"	20083	S		A 522	12	4'-7"	57	B			P 1110	104	20'-3"	11189	S																																																																																																																																																																																																																																																																																																																																																																																																																																																																																																																																																																																																																																																																																																																																																																																																																																																																																																																																																																																																																																																																																																																																																																																																																																																																																																																																																																																																																
S 1102	72	30'-0"	11476	S		S 1101	180	21'-0"	20083	S			S 1102	72	30'-0"	11476	S				S 1101	180	21'-0"	20083	S				S 1102	72	30'-0"	11476	S				A 523	16	5'-11"	99	B			P 1111	176	22'-6"	21039	S		S 1101	180	21'-0"	20083	S	S 1102	72	30'-0"	11476	S		S 1101	180	21'-0"	20083	S			S 1102	72	30'-0"	11476	S				S 1101	180	21'-0"	20083	S				A 524	12	6'-5"	90	B			P 1112	104	25'-2"	13908	S		S 1102	72	30'-0"	11476	S	S 1101	180	21'-0"	20083	S		S 1102	72	30'-0"	11476	S			S 1101	180	21'-0"	20083	S				S 1102	72	30'-0"	11476	S				A 525	16	6'-9"	113	B			P 1113	176	25'-6"	23845	S		S 1101	180	21'-0"	20083	S	S 1102	72	30'-0"	11476	S		S 1101	180	21'-0"	20083	S			S 1102	72	30'-0"	11476	S				S 1101	180	21'-0"	20083	S				A 526	24	17'-1"	428	S			P 1114	176	26'-6"	24780	S		S 1102	72	30'-0"	11476	S	S 1101	180	21'-0"	20083	S		S 1102	72	30'-0"	11476	S			S 1101	180	21'-0"	20083	S				S 1102	72	30'-0"	11476	S				A 527	4	12'-6"	52	S			P 1115	104	27'-1"	14963	S		S 1101	180	21'-0"	20083	S	S 1102	72	30'-0"	11476	S		S 1101	180	21'-0"	20083	S			S 1102	72	30'-0"	11476	S				S 1101	180	21'-0"	20083	S				A 528	48	6'-11"	346	B			P 1116	104	27'-9"	15333	S		S 1102	72	30'-0"	11476	S	S 1101	180	21'-0"	20083	S		S 1102	72	30'-0"	11476	S			S 1101	180	21'-0"	20083	S				S 1102	72	30'-0"	11476	S				A 529	16	17'-1"	*	S			P 1117	2024	32'-0"	344112	S		S 1101	180	21'-0"	20083	S	S 1102	72	30'-0"	11476	S		S 1101	180	21'-0"	20083	S			S 1102	72	30'-0"	11476	S				S 1101	180	21'-0"	20083	S				A 601	36	13'-2"	1899	B			P 1118	88	29'-6"	13793	S		S 1102	72	30'-0"	11476	S	S 1101	180	21'-0"	20083	S		S 1102	72	30'-0"	11476	S			S 1101	180	21'-0"	20083	S				S 1102	72	30'-0"	11476	S				A 602	8	21'-1"	253	B			P 1119	176	28'-6"	26650	S		S 1101	180	21'-0"	20083	S	S 1102	72	30'-0"	11476	S		S 1101	180	21'-0"	20083	S			S 1102	72	30'-0"	11476	S				S 1101	180	21'-0"	20083	S				A 603	60	19'-6"	1797	B			P 1120	192	26'-2"	26693	S		S 1102	72	30'-0"	11476	S	S 1101	180	21'-0"	20083	S		S 1102	72	30'-0"	11476	S			S 1101	180	21'-0"	20083	S				S 1102	72	30'-0"	11476	S				A 604	60	18'-11"	1705	B			P 1121	88	25'-0"	11689	S		S 1101	180	21'-0"	20083	S	S 1102	72	30'-0"	11476	S		S 1101	180	21'-0"	20083	S			S 1102	72	30'-0"	11476	S				S 1101	180	21'-0"	20083	S				A 605	32	9'-4"	449	B			P 1122	264	24'-6"	34364	S		S 1102	72	30'-0"	11476	S	S 1101	180	21'-0"	20083	S		S 1102	72	30'-0"	11476	S			S 1101	180	21'-0"	20083	S				S 1102	72	30'-0"	11476	S				A 606	44	5'-4"	352	B																																																																																																																																																																																																																																																																																																																																																																																																																																																																																																																																																																																																																																																																																																																																																																																																				
S 1101	180	21'-0"	20083	S		S 1102	72	30'-0"	11476	S			S 1101	180	21'-0"	20083	S				S 1102	72	30'-0"	11476	S				A 523	16	5'-11"	99	B				P 1111	176	22'-6"	21039	S			S 1101	180	21'-0"	20083	S		S 1102	72	30'-0"	11476	S	S 1101	180	21'-0"	20083	S		S 1102	72	30'-0"	11476	S			S 1101	180	21'-0"	20083	S				A 524	12	6'-5"	90	B				P 1112	104	25'-2"	13908	S			S 1102	72	30'-0"	11476	S		S 1101	180	21'-0"	20083	S	S 1102	72	30'-0"	11476	S		S 1101	180	21'-0"	20083	S			S 1102	72	30'-0"	11476	S				A 525	16	6'-9"	113	B				P 1113	176	25'-6"	23845	S			S 1101	180	21'-0"	20083	S		S 1102	72	30'-0"	11476	S	S 1101	180	21'-0"	20083	S		S 1102	72	30'-0"	11476	S			S 1101	180	21'-0"	20083	S				A 526	24	17'-1"	428	S				P 1114	176	26'-6"	24780	S			S 1102	72	30'-0"	11476	S		S 1101	180	21'-0"	20083	S	S 1102	72	30'-0"	11476	S		S 1101	180	21'-0"	20083	S			S 1102	72	30'-0"	11476	S				A 527	4	12'-6"	52	S				P 1115	104	27'-1"	14963	S			S 1101	180	21'-0"	20083	S		S 1102	72	30'-0"	11476	S	S 1101	180	21'-0"	20083	S		S 1102	72	30'-0"	11476	S			S 1101	180	21'-0"	20083	S				A 528	48	6'-11"	346	B				P 1116	104	27'-9"	15333	S			S 1102	72	30'-0"	11476	S		S 1101	180	21'-0"	20083	S	S 1102	72	30'-0"	11476	S		S 1101	180	21'-0"	20083	S			S 1102	72	30'-0"	11476	S				A 529	16	17'-1"	*	S				P 1117	2024	32'-0"	344112	S			S 1101	180	21'-0"	20083	S		S 1102	72	30'-0"	11476	S	S 1101	180	21'-0"	20083	S		S 1102	72	30'-0"	11476	S			S 1101	180	21'-0"	20083	S				A 601	36	13'-2"	1899	B				P 1118	88	29'-6"	13793	S			S 1102	72	30'-0"	11476	S		S 1101	180	21'-0"	20083	S	S 1102	72	30'-0"	11476	S		S 1101	180	21'-0"	20083	S			S 1102	72	30'-0"	11476	S				A 602	8	21'-1"	253	B				P 1119	176	28'-6"	26650	S			S 1101	180	21'-0"	20083	S		S 1102	72	30'-0"	11476	S	S 1101	180	21'-0"	20083	S		S 1102	72	30'-0"	11476	S			S 1101	180	21'-0"	20083	S				A 603	60	19'-6"	1797	B				P 1120	192	26'-2"	26693	S			S 1102	72	30'-0"	11476	S		S 1101	180	21'-0"	20083	S	S 1102	72	30'-0"	11476	S		S 1101	180	21'-0"	20083	S			S 1102	72	30'-0"	11476	S				A 604	60	18'-11"	1705	B				P 1121	88	25'-0"	11689	S			S 1101	180	21'-0"	20083	S		S 1102	72	30'-0"	11476	S	S 1101	180	21'-0"	20083	S		S 1102	72	30'-0"	11476	S			S 1101	180	21'-0"	20083	S				A 605	32	9'-4"	449	B				P 1122	264	24'-6"	34364	S			S 1102	72	30'-0"	11476	S		S 1101	180	21'-0"	20083	S	S 1102	72	30'-0"	11476	S		S 1101	180	21'-0"	20083	S			S 1102	72	30'-0"	11476	S				A 606	44	5'-4"	352	B																																																																																																																																																																																																																																																																																																																																																																																																																																																																																																																																																																																																																																																																																																																																																																																																												
S 1102	72	30'-0"	11476	S		S 1101	180	21'-0"	20083	S			S 1102	72	30'-0"	11476	S				A 523	16	5'-11"	99	B				P 1111	176	22'-6"	21039	S				S 1101	180	21'-0"	20083	S			S 1102	72	30'-0"	11476	S		S 1101	180	21'-0"	20083	S	S 1102	72	30'-0"	11476	S		S 1101	180	21'-0"	20083	S			A 524	12	6'-5"	90	B				P 1112	104	25'-2"	13908	S				S 1102	72	30'-0"	11476	S			S 1101	180	21'-0"	20083	S		S 1102	72	30'-0"	11476	S	S 1101	180	21'-0"	20083	S		S 1102	72	30'-0"	11476	S			A 525	16	6'-9"	113	B				P 1113	176	25'-6"	23845	S				S 1101	180	21'-0"	20083	S			S 1102	72	30'-0"	11476	S		S 1101	180	21'-0"	20083	S	S 1102	72	30'-0"	11476	S		S 1101	180	21'-0"	20083	S			A 526	24	17'-1"	428	S				P 1114	176	26'-6"	24780	S				S 1102	72	30'-0"	11476	S			S 1101	180	21'-0"	20083	S		S 1102	72	30'-0"	11476	S	S 1101	180	21'-0"	20083	S		S 1102	72	30'-0"	11476	S			A 527	4	12'-6"	52	S				P 1115	104	27'-1"	14963	S				S 1101	180	21'-0"	20083	S			S 1102	72	30'-0"	11476	S		S 1101	180	21'-0"	20083	S	S 1102	72	30'-0"	11476	S		S 1101	180	21'-0"	20083	S			A 528	48	6'-11"	346	B				P 1116	104	27'-9"	15333	S				S 1102	72	30'-0"	11476	S			S 1101	180	21'-0"	20083	S		S 1102	72	30'-0"	11476	S	S 1101	180	21'-0"	20083	S		S 1102	72	30'-0"	11476	S			A 529	16	17'-1"	*	S				P 1117	2024	32'-0"	344112	S				S 1101	180	21'-0"	20083	S			S 1102	72	30'-0"	11476	S		S 1101	180	21'-0"	20083	S	S 1102	72	30'-0"	11476	S		S 1101	180	21'-0"	20083	S			A 601	36	13'-2"	1899	B				P 1118	88	29'-6"	13793	S				S 1102	72	30'-0"	11476	S			S 1101	180	21'-0"	20083	S		S 1102	72	30'-0"	11476	S	S 1101	180	21'-0"	20083	S		S 1102	72	30'-0"	11476	S			A 602	8	21'-1"	253	B				P 1119	176	28'-6"	26650	S				S 1101	180	21'-0"	20083	S			S 1102	72	30'-0"	11476	S		S 1101	180	21'-0"	20083	S	S 1102	72	30'-0"	11476	S		S 1101	180	21'-0"	20083	S			A 603	60	19'-6"	1797	B				P 1120	192	26'-2"	26693	S				S 1102	72	30'-0"	11476	S			S 1101	180	21'-0"	20083	S		S 1102	72	30'-0"	11476	S	S 1101	180	21'-0"	20083	S		S 1102	72	30'-0"	11476	S			A 604	60	18'-11"	1705	B				P 1121	88	25'-0"	11689	S				S 1101	180	21'-0"	20083	S			S 1102	72	30'-0"	11476	S		S 1101	180	21'-0"	20083	S	S 1102	72	30'-0"	11476	S		S 1101	180	21'-0"	20083	S			A 605	32	9'-4"	449	B				P 1122	264	24'-6"	34364	S				S 1102	72	30'-0"	11476	S			S 1101	180	21'-0"	20083	S		S 1102	72	30'-0"	11476	S	S 1101	180	21'-0"	20083	S		S 1102	72	30'-0"	11476	S			A 606	44	5'-4"	352	B																																																																																																																																																																																																																																																																																																																																																																																																																																																																																																																																																																																																																																																																																																																																																																																																																				
S 1101	180	21'-0"	20083	S		S 1102	72	30'-0"	11476	S			A 523	16	5'-11"	99	B				P 1111	176	22'-6"	21039	S				S 1101	180	21'-0"	20083	S				S 1102	72	30'-0"	11476	S			S 1101	180	21'-0"	20083	S		S 1102	72	30'-0"	11476	S	S 1101	180	21'-0"	20083	S		A 524	12	6'-5"	90	B			P 1112	104	25'-2"	13908	S				S 1102	72	30'-0"	11476	S				S 1101	180	21'-0"	20083	S			S 1102	72	30'-0"	11476	S		S 1101	180	21'-0"	20083	S	S 1102	72	30'-0"	11476	S		A 525	16	6'-9"	113	B			P 1113	176	25'-6"	23845	S				S 1101	180	21'-0"	20083	S				S 1102	72	30'-0"	11476	S			S 1101	180	21'-0"	20083	S		S 1102	72	30'-0"	11476	S	S 1101	180	21'-0"	20083	S		A 526	24	17'-1"	428	S			P 1114	176	26'-6"	24780	S				S 1102	72	30'-0"	11476	S				S 1101	180	21'-0"	20083	S			S 1102	72	30'-0"	11476	S		S 1101	180	21'-0"	20083	S	S 1102	72	30'-0"	11476	S		A 527	4	12'-6"	52	S			P 1115	104	27'-1"	14963	S				S 1101	180	21'-0"	20083	S				S 1102	72	30'-0"	11476	S			S 1101	180	21'-0"	20083	S		S 1102	72	30'-0"	11476	S	S 1101	180	21'-0"	20083	S		A 528	48	6'-11"	346	B			P 1116	104	27'-9"	15333	S				S 1102	72	30'-0"	11476	S				S 1101	180	21'-0"	20083	S			S 1102	72	30'-0"	11476	S		S 1101	180	21'-0"	20083	S	S 1102	72	30'-0"	11476	S		A 529	16	17'-1"	*	S			P 1117	2024	32'-0"	344112	S				S 1101	180	21'-0"	20083	S				S 1102	72	30'-0"	11476	S			S 1101	180	21'-0"	20083	S		S 1102	72	30'-0"	11476	S	S 1101	180	21'-0"	20083	S		A 601	36	13'-2"	1899	B			P 1118	88	29'-6"	13793	S				S 1102	72	30'-0"	11476	S				S 1101	180	21'-0"	20083	S			S 1102	72	30'-0"	11476	S		S 1101	180	21'-0"	20083	S	S 1102	72	30'-0"	11476	S		A 602	8	21'-1"	253	B			P 1119	176	28'-6"	26650	S				S 1101	180	21'-0"	20083	S				S 1102	72	30'-0"	11476	S			S 1101	180	21'-0"	20083	S		S 1102	72	30'-0"	11476	S	S 1101	180	21'-0"	20083	S		A 603	60	19'-6"	1797	B			P 1120	192	26'-2"	26693	S				S 1102	72	30'-0"	11476	S				S 1101	180	21'-0"	20083	S			S 1102	72	30'-0"	11476	S		S 1101	180	21'-0"	20083	S	S 1102	72	30'-0"	11476	S		A 604	60	18'-11"	1705	B			P 1121	88	25'-0"	11689	S				S 1101	180	21'-0"	20083	S				S 1102	72	30'-0"	11476	S			S 1101	180	21'-0"	20083	S		S 1102	72	30'-0"	11476	S	S 1101	180	21'-0"	20083	S		A 605	32	9'-4"	449	B			P 1122	264	24'-6"	34364	S				S 1102	72	30'-0"	11476	S				S 1101	180	21'-0"	20083	S			S 1102	72	30'-0"	11476	S		S 1101	180	21'-0"	20083	S	S 1102	72	30'-0"	11476	S		A 606	44	5'-4"	352	B																																																																																																																																																																																																																																																																																																																																																																																																																																																																																																																																																																																																																																																																																																																																																																																																																											
S 1102	72	30'-0"	11476	S		A 523	16	5'-11"	99	B			P 1111	176	22'-6"	21039	S																																																																																																																																																																																																																																																																																																																																																																																																																																																																																																																																																																																																																																																																																																																																																																																																																																																																																																																																																																																																																																																																																																																																																																																																																																																																																																																																																																																																																
S 1101	180	21'-0"	20083	S		S 1102	72	30'-0"	11476	S			S 1101	180	21'-0"	20083	S				S 1102	72	30'-0"	11476	S				S 1101	180	21'-0"	20083	S				A 524	12	6'-5"	90	B			P 1112	104	25'-2"	13908	S		S 1102	72	30'-0"	11476	S	S 1101	180	21'-0"	20083	S		S 1102	72	30'-0"	11476	S			S 1101	180	21'-0"	20083	S				S 1102	72	30'-0"	11476	S				A 525	16	6'-9"	113	B			P 1113	176	25'-6"	23845	S		S 1101	180	21'-0"	20083	S	S 1102	72	30'-0"	11476	S		S 1101	180	21'-0"	20083	S			S 1102	72	30'-0"	11476	S				S 1101	180	21'-0"	20083	S				A 526	24	17'-1"	428	S			P 1114	176	26'-6"	24780	S		S 1102	72	30'-0"	11476	S	S 1101	180	21'-0"	20083	S		S 1102	72	30'-0"	11476	S			S 1101	180	21'-0"	20083	S				S 1102	72	30'-0"	11476	S				A 527	4	12'-6"	52	S			P 1115	104	27'-1"	14963	S		S 1101	180	21'-0"	20083	S	S 1102	72	30'-0"	11476	S		S 1101	180	21'-0"	20083	S			S 1102	72	30'-0"	11476	S				S 1101	180	21'-0"	20083	S				A 528	48	6'-11"	346	B			P 1116	104	27'-9"	15333	S		S 1102	72	30'-0"	11476	S	S 1101	180	21'-0"	20083	S		S 1102	72	30'-0"	11476	S			S 1101	180	21'-0"	20083	S				S 1102	72	30'-0"	11476	S				A 529	16	17'-1"	*	S			P 1117	2024	32'-0"	344112	S		S 1101	180	21'-0"	20083	S	S 1102	72	30'-0"	11476	S		S 1101	180	21'-0"	20083	S			S 1102	72	30'-0"	11476	S				S 1101	180	21'-0"	20083	S				A 601	36	13'-2"	1899	B			P 1118	88	29'-6"	13793	S		S 1102	72	30'-0"	11476	S	S 1101	180	21'-0"	20083	S		S 1102	72	30'-0"	11476	S			S 1101	180	21'-0"	20083	S				S 1102	72	30'-0"	11476	S				A 602	8	21'-1"	253	B			P 1119	176	28'-6"	26650	S		S 1101	180	21'-0"	20083	S	S 1102	72	30'-0"	11476	S		S 1101	180	21'-0"	20083	S			S 1102	72	30'-0"	11476	S				S 1101	180	21'-0"	20083	S				A 603	60	19'-6"	1797	B			P 1120	192	26'-2"	26693	S		S 1102	72	30'-0"	11476	S	S 1101	180	21'-0"	20083	S		S 1102	72	30'-0"	11476	S			S 1101	180	21'-0"	20083	S				S 1102	72	30'-0"	11476	S				A 604	60	18'-11"	1705	B			P 1121	88	25'-0"	11689	S		S 1101	180	21'-0"	20083	S	S 1102	72	30'-0"	11476	S		S 1101	180	21'-0"	20083	S			S 1102	72	30'-0"	11476	S				S 1101	180	21'-0"	20083	S				A 605	32	9'-4"	449	B			P 1122	264	24'-6"	34364	S		S 1102	72	30'-0"	11476	S	S 1101	180	21'-0"	20083	S		S 1102	72	30'-0"	11476	S			S 1101	180	21'-0"	20083	S				S 1102	72	30'-0"	11476	S				A 606	44	5'-4"	352	B																																																																																																																																																																																																																																																																																																																																																																																																																																																																																																																																																																																																																																																																																																																																																																																																																																																			
S 1102	72	30'-0"	11476	S		S 1101	180	21'-0"	20083	S			S 1102	72	30'-0"	11476	S				S 1101	180	21'-0"	20083	S				A 524	12	6'-5"	90	B				P 1112	104	25'-2"	13908	S			S 1102	72	30'-0"	11476	S		S 1101	180	21'-0"	20083	S	S 1102	72	30'-0"	11476	S		S 1101	180	21'-0"	20083	S			S 1102	72	30'-0"	11476	S				A 525	16	6'-9"	113	B				P 1113	176	25'-6"	23845	S			S 1101	180	21'-0"	20083	S		S 1102	72	30'-0"	11476	S	S 1101	180	21'-0"	20083	S		S 1102	72	30'-0"	11476	S			S 1101	180	21'-0"	20083	S				A 526	24	17'-1"	428	S				P 1114	176	26'-6"	24780	S			S 1102	72	30'-0"	11476	S		S 1101	180	21'-0"	20083	S	S 1102	72	30'-0"	11476	S		S 1101	180	21'-0"	20083	S			S 1102	72	30'-0"	11476	S				A 527	4	12'-6"	52	S				P 1115	104	27'-1"	14963	S			S 1101	180	21'-0"	20083	S		S 1102	72	30'-0"	11476	S	S 1101	180	21'-0"	20083	S		S 1102	72	30'-0"	11476	S			S 1101	180	21'-0"	20083	S				A 528	48	6'-11"	346	B				P 1116	104	27'-9"	15333	S			S 1102	72	30'-0"	11476	S		S 1101	180	21'-0"	20083	S	S 1102	72	30'-0"	11476	S		S 1101	180	21'-0"	20083	S			S 1102	72	30'-0"	11476	S				A 529	16	17'-1"	*	S				P 1117	2024	32'-0"	344112	S			S 1101	180	21'-0"	20083	S		S 1102	72	30'-0"	11476	S	S 1101	180	21'-0"	20083	S		S 1102	72	30'-0"	11476	S			S 1101	180	21'-0"	20083	S				A 601	36	13'-2"	1899	B				P 1118	88	29'-6"	13793	S			S 1102	72	30'-0"	11476	S		S 1101	180	21'-0"	20083	S	S 1102	72	30'-0"	11476	S		S 1101	180	21'-0"	20083	S			S 1102	72	30'-0"	11476	S				A 602	8	21'-1"	253	B				P 1119	176	28'-6"	26650	S			S 1101	180	21'-0"	20083	S		S 1102	72	30'-0"	11476	S	S 1101	180	21'-0"	20083	S		S 1102	72	30'-0"	11476	S			S 1101	180	21'-0"	20083	S				A 603	60	19'-6"	1797	B				P 1120	192	26'-2"	26693	S			S 1102	72	30'-0"	11476	S		S 1101	180	21'-0"	20083	S	S 1102	72	30'-0"	11476	S		S 1101	180	21'-0"	20083	S			S 1102	72	30'-0"	11476	S				A 604	60	18'-11"	1705	B				P 1121	88	25'-0"	11689	S			S 1101	180	21'-0"	20083	S		S 1102	72	30'-0"	11476	S	S 1101	180	21'-0"	20083	S		S 1102	72	30'-0"	11476	S			S 1101	180	21'-0"	20083	S				A 605	32	9'-4"	449	B				P 1122	264	24'-6"	34364	S			S 1102	72	30'-0"	11476	S		S 1101	180	21'-0"	20083	S	S 1102	72	30'-0"	11476	S		S 1101	180	21'-0"	20083	S			S 1102	72	30'-0"	11476	S				A 606	44	5'-4"	352	B																																																																																																																																																																																																																																																																																																																																																																																																																																																																																																																																																																																																																																																																																																																																																																																																																																																											
S 1101	180	21'-0"	20083	S		S 1102	72	30'-0"	11476	S			S 1101	180	21'-0"	20083	S				A 524	12	6'-5"	90	B				P 1112	104	25'-2"	13908	S				S 1102	72	30'-0"	11476	S			S 1101	180	21'-0"	20083	S		S 1102	72	30'-0"	11476	S	S 1101	180	21'-0"	20083	S		S 1102	72	30'-0"	11476	S			A 525	16	6'-9"	113	B				P 1113	176	25'-6"	23845	S				S 1101	180	21'-0"	20083	S			S 1102	72	30'-0"	11476	S		S 1101	180	21'-0"	20083	S	S 1102	72	30'-0"	11476	S		S 1101	180	21'-0"	20083	S			A 526	24	17'-1"	428	S				P 1114	176	26'-6"	24780	S				S 1102	72	30'-0"	11476	S			S 1101	180	21'-0"	20083	S		S 1102	72	30'-0"	11476	S	S 1101	180	21'-0"	20083	S		S 1102	72	30'-0"	11476	S			A 527	4	12'-6"	52	S				P 1115	104	27'-1"	14963	S				S 1101	180	21'-0"	20083	S			S 1102	72	30'-0"	11476	S		S 1101	180	21'-0"	20083	S	S 1102	72	30'-0"	11476	S		S 1101	180	21'-0"	20083	S			A 528	48	6'-11"	346	B				P 1116	104	27'-9"	15333	S				S 1102	72	30'-0"	11476	S			S 1101	180	21'-0"	20083	S		S 1102	72	30'-0"	11476	S	S 1101	180	21'-0"	20083	S		S 1102	72	30'-0"	11476	S			A 529	16	17'-1"	*	S				P 1117	2024	32'-0"	344112	S				S 1101	180	21'-0"	20083	S			S 1102	72	30'-0"	11476	S		S 1101	180	21'-0"	20083	S	S 1102	72	30'-0"	11476	S		S 1101	180	21'-0"	20083	S			A 601	36	13'-2"	1899	B				P 1118	88	29'-6"	13793	S				S 1102	72	30'-0"	11476	S			S 1101	180	21'-0"	20083	S		S 1102	72	30'-0"	11476	S	S 1101	180	21'-0"	20083	S		S 1102	72	30'-0"	11476	S			A 602	8	21'-1"	253	B				P 1119	176	28'-6"	26650	S				S 1101	180	21'-0"	20083	S			S 1102	72	30'-0"	11476	S		S 1101	180	21'-0"	20083	S	S 1102	72	30'-0"	11476	S		S 1101	180	21'-0"	20083	S			A 603	60	19'-6"	1797	B				P 1120	192	26'-2"	26693	S				S 1102	72	30'-0"	11476	S			S 1101	180	21'-0"	20083	S		S 1102	72	30'-0"	11476	S	S 1101	180	21'-0"	20083	S		S 1102	72	30'-0"	11476	S			A 604	60	18'-11"	1705	B				P 1121	88	25'-0"	11689	S				S 1101	180	21'-0"	20083	S			S 1102	72	30'-0"	11476	S		S 1101	180	21'-0"	20083	S	S 1102	72	30'-0"	11476	S		S 1101	180	21'-0"	20083	S			A 605	32	9'-4"	449	B				P 1122	264	24'-6"	34364	S				S 1102	72	30'-0"	11476	S			S 1101	180	21'-0"	20083	S		S 1102	72	30'-0"	11476	S	S 1101	180	21'-0"	20083	S		S 1102	72	30'-0"	11476	S			A 606	44	5'-4"	352	B																																																																																																																																																																																																																																																																																																																																																																																																																																																																																																																																																																																																																																																																																																																																																																																																																																																																			
S 1102	72	30'-0"	11476	S		S 1101	180	21'-0"	20083	S			A 524	12	6'-5"	90	B				P 1112	104	25'-2"	13908	S				S 1102	72	30'-0"	11476	S				S 1101	180	21'-0"	20083	S			S 1102	72	30'-0"	11476	S		S 1101	180	21'-0"	20083	S	S 1102	72	30'-0"	11476	S		A 525	16	6'-9"	113	B			P 1113	176	25'-6"	23845	S				S 1101	180	21'-0"	20083	S				S 1102	72	30'-0"	11476	S			S 1101	180	21'-0"	20083	S		S 1102	72	30'-0"	11476	S	S 1101	180	21'-0"	20083	S		A 526	24	17'-1"	428	S			P 1114	176	26'-6"	24780	S				S 1102	72	30'-0"	11476	S				S 1101	180	21'-0"	20083	S			S 1102	72	30'-0"	11476	S		S 1101	180	21'-0"	20083	S	S 1102	72	30'-0"	11476	S		A 527	4	12'-6"	52	S			P 1115	104	27'-1"	14963	S				S 1101	180	21'-0"	20083	S				S 1102	72	30'-0"	11476	S			S 1101	180	21'-0"	20083	S		S 1102	72	30'-0"	11476	S	S 1101	180	21'-0"	20083	S		A 528	48	6'-11"	346	B			P 1116	104	27'-9"	15333	S				S 1102	72	30'-0"	11476	S				S 1101	180	21'-0"	20083	S			S 1102	72	30'-0"	11476	S		S 1101	180	21'-0"	20083	S	S 1102	72	30'-0"	11476	S		A 529	16	17'-1"	*	S			P 1117	2024	32'-0"	344112	S				S 1101	180	21'-0"	20083	S				S 1102	72	30'-0"	11476	S			S 1101	180	21'-0"	20083	S		S 1102	72	30'-0"	11476	S	S 1101	180	21'-0"	20083	S		A 601	36	13'-2"	1899	B			P 1118	88	29'-6"	13793	S				S 1102	72	30'-0"	11476	S				S 1101	180	21'-0"	20083	S			S 1102	72	30'-0"	11476	S		S 1101	180	21'-0"	20083	S	S 1102	72	30'-0"	11476	S		A 602	8	21'-1"	253	B			P 1119	176	28'-6"	26650	S				S 1101	180	21'-0"	20083	S				S 1102	72	30'-0"	11476	S			S 1101	180	21'-0"	20083	S		S 1102	72	30'-0"	11476	S	S 1101	180	21'-0"	20083	S		A 603	60	19'-6"	1797	B			P 1120	192	26'-2"	26693	S				S 1102	72	30'-0"	11476	S				S 1101	180	21'-0"	20083	S			S 1102	72	30'-0"	11476	S		S 1101	180	21'-0"	20083	S	S 1102	72	30'-0"	11476	S		A 604	60	18'-11"	1705	B			P 1121	88	25'-0"	11689	S				S 1101	180	21'-0"	20083	S				S 1102	72	30'-0"	11476	S			S 1101	180	21'-0"	20083	S		S 1102	72	30'-0"	11476	S	S 1101	180	21'-0"	20083	S		A 605	32	9'-4"	449	B			P 1122	264	24'-6"	34364	S				S 1102	72	30'-0"	11476	S				S 1101	180	21'-0"	20083	S			S 1102	72	30'-0"	11476	S		S 1101	180	21'-0"	20083	S	S 1102	72	30'-0"	11476	S		A 606	44	5'-4"	352	B																																																																																																																																																																																																																																																																																																																																																																																																																																																																																																																																																																																																																																																																																																																																																																																																																																																																										
S 1101	180	21'-0"	20083	S		A 524	12	6'-5"	90	B			P 1112	104	25'-2"	13908	S																																																																																																																																																																																																																																																																																																																																																																																																																																																																																																																																																																																																																																																																																																																																																																																																																																																																																																																																																																																																																																																																																																																																																																																																																																																																																																																																																																																																																
S 1102	72	30'-0"	11476	S		S 1101	180	21'-0"	20083	S			S 1102	72	30'-0"	11476	S				S 1101	180	21'-0"	20083	S				S 1102	72	30'-0"	11476	S				A 525	16	6'-9"	113	B			P 1113	176	25'-6"	23845	S		S 1101	180	21'-0"	20083	S	S 1102	72	30'-0"	11476	S		S 1101	180	21'-0"	20083	S			S 1102	72	30'-0"	11476	S				S 1101	180	21'-0"	20083	S				A 526	24	17'-1"	428	S			P 1114	176	26'-6"	24780	S		S 1102	72	30'-0"	11476	S	S 1101	180	21'-0"	20083	S		S 1102	72	30'-0"	11476	S			S 1101	180	21'-0"	20083	S				S 1102	72	30'-0"	11476	S				A 527	4	12'-6"	52	S			P 1115	104	27'-1"	14963	S		S 1101	180	21'-0"	20083	S	S 1102	72	30'-0"	11476	S		S 1101	180	21'-0"	20083	S			S 1102	72	30'-0"	11476	S				S 1101	180	21'-0"	20083	S				A 528	48	6'-11"	346	B			P 1116	104	27'-9"	15333	S		S 1102	72	30'-0"	11476	S	S 1101	180	21'-0"	20083	S		S 1102	72	30'-0"	11476	S			S 1101	180	21'-0"	20083	S				S 1102	72	30'-0"	11476	S				A 529	16	17'-1"	*	S			P 1117	2024	32'-0"	344112	S		S 1101	180	21'-0"	20083	S	S 1102	72	30'-0"	11476	S		S 1101	180	21'-0"	20083	S			S 1102	72	30'-0"	11476	S				S 1101	180	21'-0"	20083	S				A 601	36	13'-2"	1899	B			P 1118	88	29'-6"	13793	S		S 1102	72	30'-0"	11476	S	S 1101	180	21'-0"	20083	S		S 1102	72	30'-0"	11476	S			S 1101	180	21'-0"	20083	S				S 1102	72	30'-0"	11476	S				A 602	8	21'-1"	253	B			P 1119	176	28'-6"	26650	S		S 1101	180	21'-0"	20083	S	S 1102	72	30'-0"	11476	S		S 1101	180	21'-0"	20083	S			S 1102	72	30'-0"	11476	S				S 1101	180	21'-0"	20083	S				A 603	60	19'-6"	1797	B			P 1120	192	26'-2"	26693	S		S 1102	72	30'-0"	11476	S	S 1101	180	21'-0"	20083	S		S 1102	72	30'-0"	11476	S			S 1101	180	21'-0"	20083	S				S 1102	72	30'-0"	11476	S				A 604	60	18'-11"	1705	B			P 1121	88	25'-0"	11689	S		S 1101	180	21'-0"	20083	S	S 1102	72	30'-0"	11476	S		S 1101	180	21'-0"	20083	S			S 1102	72	30'-0"	11476	S				S 1101	180	21'-0"	20083	S				A 605	32	9'-4"	449	B			P 1122	264	24'-6"	34364	S		S 1102	72	30'-0"	11476	S	S 1101	180	21'-0"	20083	S		S 1102	72	30'-0"	11476	S			S 1101	180	21'-0"	20083	S				S 1102	72	30'-0"	11476	S				A 606	44	5'-4"	352	B																																																																																																																																																																																																																																																																																																																																																																																																																																																																																																																																																																																																																																																																																																																																																																																																																																																																																																		
S 1101	180	21'-0"	20083	S		S 1102	72	30'-0"	11476	S			S 1101	180	21'-0"	20083	S				S 1102	72	30'-0"	11476	S				A 525	16	6'-9"	113	B				P 1113	176	25'-6"	23845	S			S 1101	180	21'-0"	20083	S		S 1102	72	30'-0"	11476	S	S 1101	180	21'-0"	20083	S		S 1102	72	30'-0"	11476	S			S 1101	180	21'-0"	20083	S				A 526	24	17'-1"	428	S				P 1114	176	26'-6"	24780	S			S 1102	72	30'-0"	11476	S		S 1101	180	21'-0"	20083	S	S 1102	72	30'-0"	11476	S		S 1101	180	21'-0"	20083	S			S 1102	72	30'-0"	11476	S				A 527	4	12'-6"	52	S				P 1115	104	27'-1"	14963	S			S 1101	180	21'-0"	20083	S		S 1102	72	30'-0"	11476	S	S 1101	180	21'-0"	20083	S		S 1102	72	30'-0"	11476	S			S 1101	180	21'-0"	20083	S				A 528	48	6'-11"	346	B				P 1116	104	27'-9"	15333	S			S 1102	72	30'-0"	11476	S		S 1101	180	21'-0"	20083	S	S 1102	72	30'-0"	11476	S		S 1101	180	21'-0"	20083	S			S 1102	72	30'-0"	11476	S				A 529	16	17'-1"	*	S				P 1117	2024	32'-0"	344112	S			S 1101	180	21'-0"	20083	S		S 1102	72	30'-0"	11476	S	S 1101	180	21'-0"	20083	S		S 1102	72	30'-0"	11476	S			S 1101	180	21'-0"	20083	S				A 601	36	13'-2"	1899	B				P 1118	88	29'-6"	13793	S			S 1102	72	30'-0"	11476	S		S 1101	180	21'-0"	20083	S	S 1102	72	30'-0"	11476	S		S 1101	180	21'-0"	20083	S			S 1102	72	30'-0"	11476	S				A 602	8	21'-1"	253	B				P 1119	176	28'-6"	26650	S			S 1101	180	21'-0"	20083	S		S 1102	72	30'-0"	11476	S	S 1101	180	21'-0"	20083	S		S 1102	72	30'-0"	11476	S			S 1101	180	21'-0"	20083	S				A 603	60	19'-6"	1797	B				P 1120	192	26'-2"	26693	S			S 1102	72	30'-0"	11476	S		S 1101	180	21'-0"	20083	S	S 1102	72	30'-0"	11476	S		S 1101	180	21'-0"	20083	S			S 1102	72	30'-0"	11476	S				A 604	60	18'-11"	1705	B				P 1121	88	25'-0"	11689	S			S 1101	180	21'-0"	20083	S		S 1102	72	30'-0"	11476	S	S 1101	180	21'-0"	20083	S		S 1102	72	30'-0"	11476	S			S 1101	180	21'-0"	20083	S				A 605	32	9'-4"	449	B				P 1122	264	24'-6"	34364	S			S 1102	72	30'-0"	11476	S		S 1101	180	21'-0"	20083	S	S 1102	72	30'-0"	11476	S		S 1101	180	21'-0"	20083	S			S 1102	72	30'-0"	11476	S				A 606	44	5'-4"	352	B																																																																																																																																																																																																																																																																																																																																																																																																																																																																																																																																																																																																																																																																																																																																																																																																																																																																																																										
S 1102	72	30'-0"	11476	S		S 1101	180	21'-0"	20083	S			S 1102	72	30'-0"	11476	S				A 525	16	6'-9"	113	B				P 1113	176	25'-6"	23845	S				S 1101	180	21'-0"	20083	S			S 1102	72	30'-0"	11476	S		S 1101	180	21'-0"	20083	S	S 1102	72	30'-0"	11476	S		S 1101	180	21'-0"	20083	S			A 526	24	17'-1"	428	S				P 1114	176	26'-6"	24780	S				S 1102	72	30'-0"	11476	S			S 1101	180	21'-0"	20083	S		S 1102	72	30'-0"	11476	S	S 1101	180	21'-0"	20083	S		S 1102	72	30'-0"	11476	S			A 527	4	12'-6"	52	S				P 1115	104	27'-1"	14963	S				S 1101	180	21'-0"	20083	S			S 1102	72	30'-0"	11476	S		S 1101	180	21'-0"	20083	S	S 1102	72	30'-0"	11476	S		S 1101	180	21'-0"	20083	S			A 528	48	6'-11"	346	B				P 1116	104	27'-9"	15333	S				S 1102	72	30'-0"	11476	S			S 1101	180	21'-0"	20083	S		S 1102	72	30'-0"	11476	S	S 1101	180	21'-0"	20083	S		S 1102	72	30'-0"	11476	S			A 529	16	17'-1"	*	S				P 1117	2024	32'-0"	344112	S				S 1101	180	21'-0"	20083	S			S 1102	72	30'-0"	11476	S		S 1101	180	21'-0"	20083	S	S 1102	72	30'-0"	11476	S		S 1101	180	21'-0"	20083	S			A 601	36	13'-2"	1899	B				P 1118	88	29'-6"	13793	S				S 1102	72	30'-0"	11476	S			S 1101	180	21'-0"	20083	S		S 1102	72	30'-0"	11476	S	S 1101	180	21'-0"	20083	S		S 1102	72	30'-0"	11476	S			A 602	8	21'-1"	253	B				P 1119	176	28'-6"	26650	S				S 1101	180	21'-0"	20083	S			S 1102	72	30'-0"	11476	S		S 1101	180	21'-0"	20083	S	S 1102	72	30'-0"	11476	S		S 1101	180	21'-0"	20083	S			A 603	60	19'-6"	1797	B				P 1120	192	26'-2"	26693	S				S 1102	72	30'-0"	11476	S			S 1101	180	21'-0"	20083	S		S 1102	72	30'-0"	11476	S	S 1101	180	21'-0"	20083	S		S 1102	72	30'-0"	11476	S			A 604	60	18'-11"	1705	B				P 1121	88	25'-0"	11689	S				S 1101	180	21'-0"	20083	S			S 1102	72	30'-0"	11476	S		S 1101	180	21'-0"	20083	S	S 1102	72	30'-0"	11476	S		S 1101	180	21'-0"	20083	S			A 605	32	9'-4"	449	B				P 1122	264	24'-6"	34364	S				S 1102	72	30'-0"	11476	S			S 1101	180	21'-0"	20083	S		S 1102	72	30'-0"	11476	S	S 1101	180	21'-0"	20083	S		S 1102	72	30'-0"	11476	S			A 606	44	5'-4"	352	B																																																																																																																																																																																																																																																																																																																																																																																																																																																																																																																																																																																																																																																																																																																																																																																																																																																																																																																		
S 1101	180	21'-0"	20083	S		S 1102	72	30'-0"	11476	S			A 525	16	6'-9"	113	B				P 1113	176	25'-6"	23845	S				S 1101	180	21'-0"	20083	S				S 1102	72	30'-0"	11476	S			S 1101	180	21'-0"	20083	S		S 1102	72	30'-0"	11476	S	S 1101	180	21'-0"	20083	S		A 526	24	17'-1"	428	S			P 1114	176	26'-6"	24780	S				S 1102	72	30'-0"	11476	S				S 1101	180	21'-0"	20083	S			S 1102	72	30'-0"	11476	S		S 1101	180	21'-0"	20083	S	S 1102	72	30'-0"	11476	S		A 527	4	12'-6"	52	S			P 1115	104	27'-1"	14963	S				S 1101	180	21'-0"	20083	S				S 1102	72	30'-0"	11476	S			S 1101	180	21'-0"	20083	S		S 1102	72	30'-0"	11476	S	S 1101	180	21'-0"	20083	S		A 528	48	6'-11"	346	B			P 1116	104	27'-9"	15333	S				S 1102	72	30'-0"	11476	S				S 1101	180	21'-0"	20083	S			S 1102	72	30'-0"	11476	S		S 1101	180	21'-0"	20083	S	S 1102	72	30'-0"	11476	S		A 529	16	17'-1"	*	S			P 1117	2024	32'-0"	344112	S				S 1101	180	21'-0"	20083	S				S 1102	72	30'-0"	11476	S			S 1101	180	21'-0"	20083	S		S 1102	72	30'-0"	11476	S	S 1101	180	21'-0"	20083	S		A 601	36	13'-2"	1899	B			P 1118	88	29'-6"	13793	S				S 1102	72	30'-0"	11476	S				S 1101	180	21'-0"	20083	S			S 1102	72	30'-0"	11476	S		S 1101	180	21'-0"	20083	S	S 1102	72	30'-0"	11476	S		A 602	8	21'-1"	253	B			P 1119	176	28'-6"	26650	S				S 1101	180	21'-0"	20083	S				S 1102	72	30'-0"	11476	S			S 1101	180	21'-0"	20083	S		S 1102	72	30'-0"	11476	S	S 1101	180	21'-0"	20083	S		A 603	60	19'-6"	1797	B			P 1120	192	26'-2"	26693	S				S 1102	72	30'-0"	11476	S				S 1101	180	21'-0"	20083	S			S 1102	72	30'-0"	11476	S		S 1101	180	21'-0"	20083	S	S 1102	72	30'-0"	11476	S		A 604	60	18'-11"	1705	B			P 1121	88	25'-0"	11689	S				S 1101	180	21'-0"	20083	S				S 1102	72	30'-0"	11476	S			S 1101	180	21'-0"	20083	S		S 1102	72	30'-0"	11476	S	S 1101	180	21'-0"	20083	S		A 605	32	9'-4"	449	B			P 1122	264	24'-6"	34364	S				S 1102	72	30'-0"	11476	S				S 1101	180	21'-0"	20083	S			S 1102	72	30'-0"	11476	S		S 1101	180	21'-0"	20083	S	S 1102	72	30'-0"	11476	S		A 606	44	5'-4"	352	B																																																																																																																																																																																																																																																																																																																																																																																																																																																																																																																																																																																																																																																																																																																																																																																																																																																																																																																									
S 1102	72	30'-0"	11476	S		A 525	16	6'-9"	113	B			P 1113	176	25'-6"	23845	S																																																																																																																																																																																																																																																																																																																																																																																																																																																																																																																																																																																																																																																																																																																																																																																																																																																																																																																																																																																																																																																																																																																																																																																																																																																																																																																																																																																																																
S 1101	180	21'-0"	20083	S		S 1102	72	30'-0"	11476	S			S 1101	180	21'-0"	20083	S				S 1102	72	30'-0"	11476	S				S 1101	180	21'-0"	20083	S				A 526	24	17'-1"	428	S			P 1114	176	26'-6"	24780	S		S 1102	72	30'-0"	11476	S	S 1101	180	21'-0"	20083	S		S 1102	72	30'-0"	11476	S			S 1101	180	21'-0"	20083	S				S 1102	72	30'-0"	11476	S				A 527	4	12'-6"	52	S			P 1115	104	27'-1"	14963	S		S 1101	180	21'-0"	20083	S	S 1102	72	30'-0"	11476	S		S 1101	180	21'-0"	20083	S			S 1102	72	30'-0"	11476	S				S 1101	180	21'-0"	20083	S				A 528	48	6'-11"	346	B			P 1116	104	27'-9"	15333	S		S 1102	72	30'-0"	11476	S	S 1101	180	21'-0"	20083	S		S 1102	72	30'-0"	11476	S			S 1101	180	21'-0"	20083	S				S 1102	72	30'-0"	11476	S				A 529	16	17'-1"	*	S			P 1117	2024	32'-0"	344112	S		S 1101	180	21'-0"	20083	S	S 1102	72	30'-0"	11476	S		S 1101	180	21'-0"	20083	S			S 1102	72	30'-0"	11476	S				S 1101	180	21'-0"	20083	S				A 601	36	13'-2"	1899	B			P 1118	88	29'-6"	13793	S		S 1102	72	30'-0"	11476	S	S 1101	180	21'-0"	20083	S		S 1102	72	30'-0"	11476	S			S 1101	180	21'-0"	20083	S				S 1102	72	30'-0"	11476	S				A 602	8	21'-1"	253	B			P 1119	176	28'-6"	26650	S		S 1101	180	21'-0"	20083	S	S 1102	72	30'-0"	11476	S		S 1101	180	21'-0"	20083	S			S 1102	72	30'-0"	11476	S				S 1101	180	21'-0"	20083	S				A 603	60	19'-6"	1797	B			P 1120	192	26'-2"	26693	S		S 1102	72	30'-0"	11476	S	S 1101	180	21'-0"	20083	S		S 1102	72	30'-0"	11476	S			S 1101	180	21'-0"	20083	S				S 1102	72	30'-0"	11476	S				A 604	60	18'-11"	1705	B			P 1121	88	25'-0"	11689	S		S 1101	180	21'-0"	20083	S	S 1102	72	30'-0"	11476	S		S 1101	180	21'-0"	20083	S			S 1102	72	30'-0"	11476	S				S 1101	180	21'-0"	20083	S				A 605	32	9'-4"	449	B			P 1122	264	24'-6"	34364	S		S 1102	72	30'-0"	11476	S	S 1101	180	21'-0"	20083	S		S 1102	72	30'-0"	11476	S			S 1101	180	21'-0"	20083	S				S 1102	72	30'-0"	11476	S				A 606	44	5'-4"	352	B																																																																																																																																																																																																																																																																																																																																																																																																																																																																																																																																																																																																																																																																																																																																																																																																																																																																																																																																																	
S 1102	72	30'-0"	11476	S		S 1101	180	21'-0"	20083	S			S 1102	72	30'-0"	11476	S				S 1101	180	21'-0"	20083	S				A 526	24	17'-1"	428	S				P 1114	176	26'-6"	24780	S			S 1102	72	30'-0"	11476	S		S 1101	180	21'-0"	20083	S	S 1102	72	30'-0"	11476	S		S 1101	180	21'-0"	20083	S			S 1102	72	30'-0"	11476	S				A 527	4	12'-6"	52	S				P 1115	104	27'-1"	14963	S			S 1101	180	21'-0"	20083	S		S 1102	72	30'-0"	11476	S	S 1101	180	21'-0"	20083	S		S 1102	72	30'-0"	11476	S			S 1101	180	21'-0"	20083	S				A 528	48	6'-11"	346	B				P 1116	104	27'-9"	15333	S			S 1102	72	30'-0"	11476	S		S 1101	180	21'-0"	20083	S	S 1102	72	30'-0"	11476	S		S 1101	180	21'-0"	20083	S			S 1102	72	30'-0"	11476	S				A 529	16	17'-1"	*	S				P 1117	2024	32'-0"	344112	S			S 1101	180	21'-0"	20083	S		S 1102	72	30'-0"	11476	S	S 1101	180	21'-0"	20083	S		S 1102	72	30'-0"	11476	S			S 1101	180	21'-0"	20083	S				A 601	36	13'-2"	1899	B				P 1118	88	29'-6"	13793	S			S 1102	72	30'-0"	11476	S		S 1101	180	21'-0"	20083	S	S 1102	72	30'-0"	11476	S		S 1101	180	21'-0"	20083	S			S 1102	72	30'-0"	11476	S				A 602	8	21'-1"	253	B				P 1119	176	28'-6"	26650	S			S 1101	180	21'-0"	20083	S		S 1102	72	30'-0"	11476	S	S 1101	180	21'-0"	20083	S		S 1102	72	30'-0"	11476	S			S 1101	180	21'-0"	20083	S				A 603	60	19'-6"	1797	B				P 1120	192	26'-2"	26693	S			S 1102	72	30'-0"	11476	S		S 1101	180	21'-0"	20083	S	S 1102	72	30'-0"	11476	S		S 1101	180	21'-0"	20083	S			S 1102	72	30'-0"	11476	S				A 604	60	18'-11"	1705	B				P 1121	88	25'-0"	11689	S			S 1101	180	21'-0"	20083	S		S 1102	72	30'-0"	11476	S	S 1101	180	21'-0"	20083	S		S 1102	72	30'-0"	11476	S			S 1101	180	21'-0"	20083	S				A 605	32	9'-4"	449	B				P 1122	264	24'-6"	34364	S			S 1102	72	30'-0"	11476	S		S 1101	180	21'-0"	20083	S	S 1102	72	30'-0"	11476	S		S 1101	180	21'-0"	20083	S			S 1102	72	30'-0"	11476	S				A 606	44	5'-4"	352	B																																																																																																																																																																																																																																																																																																																																																																																																																																																																																																																																																																																																																																																																																																																																																																																																																																																																																																																																																									
S 1101	180	21'-0"	20083	S		S 1102	72	30'-0"	11476	S			S 1101	180	21'-0"	20083	S				A 526	24	17'-1"	428	S				P 1114	176	26'-6"	24780	S				S 1102	72	30'-0"	11476	S			S 1101	180	21'-0"	20083	S		S 1102	72	30'-0"	11476	S	S 1101	180	21'-0"	20083	S		S 1102	72	30'-0"	11476	S			A 527	4	12'-6"	52	S				P 1115	104	27'-1"	14963	S				S 1101	180	21'-0"	20083	S			S 1102	72	30'-0"	11476	S		S 1101	180	21'-0"	20083	S	S 1102	72	30'-0"	11476	S		S 1101	180	21'-0"	20083	S			A 528	48	6'-11"	346	B				P 1116	104	27'-9"	15333	S				S 1102	72	30'-0"	11476	S			S 1101	180	21'-0"	20083	S		S 1102	72	30'-0"	11476	S	S 1101	180	21'-0"	20083	S		S 1102	72	30'-0"	11476	S			A 529	16	17'-1"	*	S				P 1117	2024	32'-0"	344112	S				S 1101	180	21'-0"	20083	S			S 1102	72	30'-0"	11476	S		S 1101	180	21'-0"	20083	S	S 1102	72	30'-0"	11476	S		S 1101	180	21'-0"	20083	S			A 601	36	13'-2"	1899	B				P 1118	88	29'-6"	13793	S				S 1102	72	30'-0"	11476	S			S 1101	180	21'-0"	20083	S		S 1102	72	30'-0"	11476	S	S 1101	180	21'-0"	20083	S		S 1102	72	30'-0"	11476	S			A 602	8	21'-1"	253	B				P 1119	176	28'-6"	26650	S				S 1101	180	21'-0"	20083	S			S 1102	72	30'-0"	11476	S		S 1101	180	21'-0"	20083	S	S 1102	72	30'-0"	11476	S		S 1101	180	21'-0"	20083	S			A 603	60	19'-6"	1797	B				P 1120	192	26'-2"	26693	S				S 1102	72	30'-0"	11476	S			S 1101	180	21'-0"	20083	S		S 1102	72	30'-0"	11476	S	S 1101	180	21'-0"	20083	S		S 1102	72	30'-0"	11476	S			A 604	60	18'-11"	1705	B				P 1121	88	25'-0"	11689	S				S 1101	180	21'-0"	20083	S			S 1102	72	30'-0"	11476	S		S 1101	180	21'-0"	20083	S	S 1102	72	30'-0"	11476	S		S 1101	180	21'-0"	20083	S			A 605	32	9'-4"	449	B				P 1122	264	24'-6"	34364	S				S 1102	72	30'-0"	11476	S			S 1101	180	21'-0"	20083	S		S 1102	72	30'-0"	11476	S	S 1101	180	21'-0"	20083	S		S 1102	72	30'-0"	11476	S			A 606	44	5'-4"	352	B																																																																																																																																																																																																																																																																																																																																																																																																																																																																																																																																																																																																																																																																																																																																																																																																																																																																																																																																																																	
S 1102	72	30'-0"	11476	S		S 1101	180	21'-0"	20083	S			A 526	24	17'-1"	428	S				P 1114	176	26'-6"	24780	S				S 1102	72	30'-0"	11476	S				S 1101	180	21'-0"	20083	S			S 1102	72	30'-0"	11476	S		S 1101	180	21'-0"	20083	S	S 1102	72	30'-0"	11476	S		A 527	4	12'-6"	52	S			P 1115	104	27'-1"	14963	S				S 1101	180	21'-0"	20083	S				S 1102	72	30'-0"	11476	S			S 1101	180	21'-0"	20083	S		S 1102	72	30'-0"	11476	S	S 1101	180	21'-0"	20083	S		A 528	48	6'-11"	346	B			P 1116	104	27'-9"	15333	S				S 1102	72	30'-0"	11476	S				S 1101	180	21'-0"	20083	S			S 1102	72	30'-0"	11476	S		S 1101	180	21'-0"	20083	S	S 1102	72	30'-0"	11476	S		A 529	16	17'-1"	*	S			P 1117	2024	32'-0"	344112	S				S 1101	180	21'-0"	20083	S				S 1102	72	30'-0"	11476	S			S 1101	180	21'-0"	20083	S		S 1102	72	30'-0"	11476	S	S 1101	180	21'-0"	20083	S		A 601	36	13'-2"	1899	B			P 1118	88	29'-6"	13793	S				S 1102	72	30'-0"	11476	S				S 1101	180	21'-0"	20083	S			S 1102	72	30'-0"	11476	S		S 1101	180	21'-0"	20083	S	S 1102	72	30'-0"	11476	S		A 602	8	21'-1"	253	B			P 1119	176	28'-6"	26650	S				S 1101	180	21'-0"	20083	S				S 1102	72	30'-0"	11476	S			S 1101	180	21'-0"	20083	S		S 1102	72	30'-0"	11476	S	S 1101	180	21'-0"	20083	S		A 603	60	19'-6"	1797	B			P 1120	192	26'-2"	26693	S				S 1102	72	30'-0"	11476	S				S 1101	180	21'-0"	20083	S			S 1102	72	30'-0"	11476	S		S 1101	180	21'-0"	20083	S	S 1102	72	30'-0"	11476	S		A 604	60	18'-11"	1705	B			P 1121	88	25'-0"	11689	S				S 1101	180	21'-0"	20083	S				S 1102	72	30'-0"	11476	S			S 1101	180	21'-0"	20083	S		S 1102	72	30'-0"	11476	S	S 1101	180	21'-0"	20083	S		A 605	32	9'-4"	449	B			P 1122	264	24'-6"	34364	S				S 1102	72	30'-0"	11476	S				S 1101	180	21'-0"	20083	S			S 1102	72	30'-0"	11476	S		S 1101	180	21'-0"	20083	S	S 1102	72	30'-0"	11476	S		A 606	44	5'-4"	352	B																																																																																																																																																																																																																																																																																																																																																																																																																																																																																																																																																																																																																																																																																																																																																																																																																																																																																																																																																																								
S 1101	180	21'-0"	20083	S		A 526	24	17'-1"	428	S			P 1114	176	26'-6"	24780	S																																																																																																																																																																																																																																																																																																																																																																																																																																																																																																																																																																																																																																																																																																																																																																																																																																																																																																																																																																																																																																																																																																																																																																																																																																																																																																																																																																																																																
S 1102	72	30'-0"	11476	S		S 1101	180	21'-0"	20083	S			S 1102	72	30'-0"	11476	S				S 1101	180	21'-0"	20083	S				S 1102	72	30'-0"	11476	S				A 527	4	12'-6"	52	S			P 1115	104	27'-1"	14963	S		S 1101	180	21'-0"	20083	S	S 1102	72	30'-0"	11476	S		S 1101	180	21'-0"	20083	S			S 1102	72	30'-0"	11476	S				S 1101	180	21'-0"	20083	S				A 528	48	6'-11"	346	B			P 1116	104	27'-9"	15333	S		S 1102	72	30'-0"	11476	S	S 1101	180	21'-0"	20083	S		S 1102	72	30'-0"	11476	S			S 1101	180	21'-0"	20083	S				S 1102	72	30'-0"	11476	S				A 529	16	17'-1"	*	S			P 1117	2024	32'-0"	344112	S		S 1101	180	21'-0"	20083	S	S 1102	72	30'-0"	11476	S		S 1101	180	21'-0"	20083	S			S 1102	72	30'-0"	11476	S				S 1101	180	21'-0"	20083	S				A 601	36	13'-2"	1899	B			P 1118	88	29'-6"	13793	S		S 1102	72	30'-0"	11476	S	S 1101	180	21'-0"	20083	S		S 1102	72	30'-0"	11476	S			S 1101	180	21'-0"	20083	S				S 1102	72	30'-0"	11476	S				A 602	8	21'-1"	253	B			P 1119	176	28'-6"	26650	S		S 1101	180	21'-0"	20083	S	S 1102	72	30'-0"	11476	S		S 1101	180	21'-0"	20083	S			S 1102	72	30'-0"	11476	S				S 1101	180	21'-0"	20083	S				A 603	60	19'-6"	1797	B			P 1120	192	26'-2"	26693	S		S 1102	72	30'-0"	11476	S	S 1101	180	21'-0"	20083	S		S 1102	72	30'-0"	11476	S			S 1101	180	21'-0"	20083	S				S 1102	72	30'-0"	11476	S				A 604	60	18'-11"	1705	B			P 1121	88	25'-0"	11689	S		S 1101	180	21'-0"	20083	S	S 1102	72	30'-0"	11476	S		S 1101	180	21'-0"	20083	S			S 1102	72	30'-0"	11476	S				S 1101	180	21'-0"	20083	S				A 605	32	9'-4"	449	B			P 1122	264	24'-6"	34364	S		S 1102	72	30'-0"	11476	S	S 1101	180	21'-0"	20083	S		S 1102	72	30'-0"	11476	S			S 1101	180	21'-0"	20083	S				S 1102	72	30'-0"	11476	S				A 606	44	5'-4"	352	B																																																																																																																																																																																																																																																																																																																																																																																																																																																																																																																																																																																																																																																																																																																																																																																																																																																																																																																																																																																																
S 1101	180	21'-0"	20083	S		S 1102	72	30'-0"	11476	S			S 1101	180	21'-0"	20083	S				S 1102	72	30'-0"	11476	S				A 527	4	12'-6"	52	S				P 1115	104	27'-1"	14963	S			S 1101	180	21'-0"	20083	S		S 1102	72	30'-0"	11476	S	S 1101	180	21'-0"	20083	S		S 1102	72	30'-0"	11476	S			S 1101	180	21'-0"	20083	S				A 528	48	6'-11"	346	B				P 1116	104	27'-9"	15333	S			S 1102	72	30'-0"	11476	S		S 1101	180	21'-0"	20083	S	S 1102	72	30'-0"	11476	S		S 1101	180	21'-0"	20083	S			S 1102	72	30'-0"	11476	S				A 529	16	17'-1"	*	S				P 1117	2024	32'-0"	344112	S			S 1101	180	21'-0"	20083	S		S 1102	72	30'-0"	11476	S	S 1101	180	21'-0"	20083	S		S 1102	72	30'-0"	11476	S			S 1101	180	21'-0"	20083	S				A 601	36	13'-2"	1899	B				P 1118	88	29'-6"	13793	S			S 1102	72	30'-0"	11476	S		S 1101	180	21'-0"	20083	S	S 1102	72	30'-0"	11476	S		S 1101	180	21'-0"	20083	S			S 1102	72	30'-0"	11476	S				A 602	8	21'-1"	253	B				P 1119	176	28'-6"	26650	S			S 1101	180	21'-0"	20083	S		S 1102	72	30'-0"	11476	S	S 1101	180	21'-0"	20083	S		S 1102	72	30'-0"	11476	S			S 1101	180	21'-0"	20083	S				A 603	60	19'-6"	1797	B				P 1120	192	26'-2"	26693	S			S 1102	72	30'-0"	11476	S		S 1101	180	21'-0"	20083	S	S 1102	72	30'-0"	11476	S		S 1101	180	21'-0"	20083	S			S 1102	72	30'-0"	11476	S				A 604	60	18'-11"	1705	B				P 1121	88	25'-0"	11689	S			S 1101	180	21'-0"	20083	S		S 1102	72	30'-0"	11476	S	S 1101	180	21'-0"	20083	S		S 1102	72	30'-0"	11476	S			S 1101	180	21'-0"	20083	S				A 605	32	9'-4"	449	B				P 1122	264	24'-6"	34364	S			S 1102	72	30'-0"	11476	S		S 1101	180	21'-0"	20083	S	S 1102	72	30'-0"	11476	S		S 1101	180	21'-0"	20083	S			S 1102	72	30'-0"	11476	S				A 606	44	5'-4"	352	B																																																																																																																																																																																																																																																																																																																																																																																																																																																																																																																																																																																																																																																																																																																																																																																																																																																																																																																																																																																																								
S 1102	72	30'-0"	11476	S		S 1101	180	21'-0"	20083	S			S 1102	72	30'-0"	11476	S				A 527	4	12'-6"	52	S				P 1115	104	27'-1"	14963	S				S 1101	180	21'-0"	20083	S			S 1102	72	30'-0"	11476	S		S 1101	180	21'-0"	20083	S	S 1102	72	30'-0"	11476	S		S 1101	180	21'-0"	20083	S			A 528	48	6'-11"	346	B				P 1116	104	27'-9"	15333	S				S 1102	72	30'-0"	11476	S			S 1101	180	21'-0"	20083	S		S 1102	72	30'-0"	11476	S	S 1101	180	21'-0"	20083	S		S 1102	72	30'-0"	11476	S			A 529	16	17'-1"	*	S				P 1117	2024	32'-0"	344112	S				S 1101	180	21'-0"	20083	S			S 1102	72	30'-0"	11476	S		S 1101	180	21'-0"	20083	S	S 1102	72	30'-0"	11476	S		S 1101	180	21'-0"	20083	S			A 601	36	13'-2"	1899	B				P 1118	88	29'-6"	13793	S				S 1102	72	30'-0"	11476	S			S 1101	180	21'-0"	20083	S		S 1102	72	30'-0"	11476	S	S 1101	180	21'-0"	20083	S		S 1102	72	30'-0"	11476	S			A 602	8	21'-1"	253	B				P 1119	176	28'-6"	26650	S				S 1101	180	21'-0"	20083	S			S 1102	72	30'-0"	11476	S		S 1101	180	21'-0"	20083	S	S 1102	72	30'-0"	11476	S		S 1101	180	21'-0"	20083	S			A 603	60	19'-6"	1797	B				P 1120	192	26'-2"	26693	S				S 1102	72	30'-0"	11476	S			S 1101	180	21'-0"	20083	S		S 1102	72	30'-0"	11476	S	S 1101	180	21'-0"	20083	S		S 1102	72	30'-0"	11476	S			A 604	60	18'-11"	1705	B				P 1121	88	25'-0"	11689	S				S 1101	180	21'-0"	20083	S			S 1102	72	30'-0"	11476	S		S 1101	180	21'-0"	20083	S	S 1102	72	30'-0"	11476	S		S 1101	180	21'-0"	20083	S			A 605	32	9'-4"	449	B				P 1122	264	24'-6"	34364	S				S 1102	72	30'-0"	11476	S			S 1101	180	21'-0"	20083	S		S 1102	72	30'-0"	11476	S	S 1101	180	21'-0"	20083	S		S 1102	72	30'-0"	11476	S			A 606	44	5'-4"	352	B																																																																																																																																																																																																																																																																																																																																																																																																																																																																																																																																																																																																																																																																																																																																																																																																																																																																																																																																																																																																																
S 1101	180	21'-0"	20083	S		S 1102	72	30'-0"	11476	S			A 527	4	12'-6"	52	S				P 1115	104	27'-1"	14963	S				S 1101	180	21'-0"	20083	S				S 1102	72	30'-0"	11476	S			S 1101	180	21'-0"	20083	S		S 1102	72	30'-0"	11476	S	S 1101	180	21'-0"	20083	S		A 528	48	6'-11"	346	B			P 1116	104	27'-9"	15333	S				S 1102	72	30'-0"	11476	S				S 1101	180	21'-0"	20083	S			S 1102	72	30'-0"	11476	S		S 1101	180	21'-0"	20083	S	S 1102	72	30'-0"	11476	S		A 529	16	17'-1"	*	S			P 1117	2024	32'-0"	344112	S				S 1101	180	21'-0"	20083	S				S 1102	72	30'-0"	11476	S			S 1101	180	21'-0"	20083	S		S 1102	72	30'-0"	11476	S	S 1101	180	21'-0"	20083	S		A 601	36	13'-2"	1899	B			P 1118	88	29'-6"	13793	S				S 1102	72	30'-0"	11476	S				S 1101	180	21'-0"	20083	S			S 1102	72	30'-0"	11476	S		S 1101	180	21'-0"	20083	S	S 1102	72	30'-0"	11476	S		A 602	8	21'-1"	253	B			P 1119	176	28'-6"	26650	S				S 1101	180	21'-0"	20083	S				S 1102	72	30'-0"	11476	S			S 1101	180	21'-0"	20083	S		S 1102	72	30'-0"	11476	S	S 1101	180	21'-0"	20083	S		A 603	60	19'-6"	1797	B			P 1120	192	26'-2"	26693	S				S 1102	72	30'-0"	11476	S				S 1101	180	21'-0"	20083	S			S 1102	72	30'-0"	11476	S		S 1101	180	21'-0"	20083	S	S 1102	72	30'-0"	11476	S		A 604	60	18'-11"	1705	B			P 1121	88	25'-0"	11689	S				S 1101	180	21'-0"	20083	S				S 1102	72	30'-0"	11476	S			S 1101	180	21'-0"	20083	S		S 1102	72	30'-0"	11476	S	S 1101	180	21'-0"	20083	S		A 605	32	9'-4"	449	B			P 1122	264	24'-6"	34364	S				S 1102	72	30'-0"	11476	S				S 1101	180	21'-0"	20083	S			S 1102	72	30'-0"	11476	S		S 1101	180	21'-0"	20083	S	S 1102	72	30'-0"	11476	S		A 606	44	5'-4"	352	B																																																																																																																																																																																																																																																																																																																																																																																																																																																																																																																																																																																																																																																																																																																																																																																																																																																																																																																																																																																																																							
S 1102	72	30'-0"	11476	S		A 527	4	12'-6"	52	S			P 1115	104	27'-1"	14963	S																																																																																																																																																																																																																																																																																																																																																																																																																																																																																																																																																																																																																																																																																																																																																																																																																																																																																																																																																																																																																																																																																																																																																																																																																																																																																																																																																																																																																
S 1101	180	21'-0"	20083	S		S 1102	72	30'-0"	11476	S			S 1101	180	21'-0"	20083	S				S 1102	72	30'-0"	11476	S				S 1101	180	21'-0"	20083	S				A 528	48	6'-11"	346	B			P 1116	104	27'-9"	15333	S		S 1102	72	30'-0"	11476	S	S 1101	180	21'-0"	20083	S		S 1102	72	30'-0"	11476	S			S 1101	180	21'-0"	20083	S				S 1102	72	30'-0"	11476	S				A 529	16	17'-1"	*	S			P 1117	2024	32'-0"	344112	S		S 1101	180	21'-0"	20083	S	S 1102	72	30'-0"	11476	S		S 1101	180	21'-0"	20083	S			S 1102	72	30'-0"	11476	S				S 1101	180	21'-0"	20083	S				A 601	36	13'-2"	1899	B			P 1118	88	29'-6"	13793	S		S 1102	72	30'-0"	11476	S	S 1101	180	21'-0"	20083	S		S 1102	72	30'-0"	11476	S			S 1101	180	21'-0"	20083	S				S 1102	72	30'-0"	11476	S				A 602	8	21'-1"	253	B			P 1119	176	28'-6"	26650	S		S 1101	180	21'-0"	20083	S	S 1102	72	30'-0"	11476	S		S 1101	180	21'-0"	20083	S			S 1102	72	30'-0"	11476	S				S 1101	180	21'-0"	20083	S				A 603	60	19'-6"	1797	B			P 1120	192	26'-2"	26693	S		S 1102	72	30'-0"	11476	S	S 1101	180	21'-0"	20083	S		S 1102	72	30'-0"	11476	S			S 1101	180	21'-0"	20083	S				S 1102	72	30'-0"	11476	S				A 604	60	18'-11"	1705	B			P 1121	88	25'-0"	11689	S		S 1101	180	21'-0"	20083	S	S 1102	72	30'-0"	11476	S		S 1101	180	21'-0"	20083	S			S 1102	72	30'-0"	11476	S				S 1101	180	21'-0"	20083	S				A 605	32	9'-4"	449	B			P 1122	264	24'-6"	34364	S		S 1102	72	30'-0"	11476	S	S 1101	180	21'-0"	20083	S		S 1102	72	30'-0"	11476	S			S 1101	180	21'-0"	20083	S				S 1102	72	30'-0"	11476	S				A 606	44	5'-4"	352	B																																																																																																																																																																																																																																																																																																																																																																																																																																																																																																																																																																																																																																																																																																																																																																																																																																																																																																																																																																																																																																															
S 1102	72	30'-0"	11476	S		S 1101	180	21'-0"	20083	S			S 1102	72	30'-0"	11476	S				S 1101	180	21'-0"	20083	S				A 528	48	6'-11"	346	B				P 1116	104	27'-9"	15333	S			S 1102	72	30'-0"	11476	S		S 1101	180	21'-0"	20083	S	S 1102	72	30'-0"	11476	S		S 1101	180	21'-0"	20083	S			S 1102	72	30'-0"	11476	S				A 529	16	17'-1"	*	S				P 1117	2024	32'-0"	344112	S			S 1101	180	21'-0"	20083	S		S 1102	72	30'-0"	11476	S	S 1101	180	21'-0"	20083	S		S 1102	72	30'-0"	11476	S			S 1101	180	21'-0"	20083	S				A 601	36	13'-2"	1899	B				P 1118	88	29'-6"	13793	S			S 1102	72	30'-0"	11476	S		S 1101	180	21'-0"	20083	S	S 1102	72	30'-0"	11476	S		S 1101	180	21'-0"	20083	S			S 1102	72	30'-0"	11476	S				A 602	8	21'-1"	253	B				P 1119	176	28'-6"	26650	S			S 1101	180	21'-0"	20083	S		S 1102	72	30'-0"	11476	S	S 1101	180	21'-0"	20083	S		S 1102	72	30'-0"	11476	S			S 1101	180	21'-0"	20083	S				A 603	60	19'-6"	1797	B				P 1120	192	26'-2"	26693	S			S 1102	72	30'-0"	11476	S		S 1101	180	21'-0"	20083	S	S 1102	72	30'-0"	11476	S		S 1101	180	21'-0"	20083	S			S 1102	72	30'-0"	11476	S				A 604	60	18'-11"	1705	B				P 1121	88	25'-0"	11689	S			S 1101	180	21'-0"	20083	S		S 1102	72	30'-0"	11476	S	S 1101	180	21'-0"	20083	S		S 1102	72	30'-0"	11476	S			S 1101	180	21'-0"	20083	S				A 605	32	9'-4"	449	B				P 1122	264	24'-6"	34364	S			S 1102	72	30'-0"	11476	S		S 1101	180	21'-0"	20083	S	S 1102	72	30'-0"	11476	S		S 1101	180	21'-0"	20083	S			S 1102	72	30'-0"	11476	S				A 606	44	5'-4"	352	B																																																																																																																																																																																																																																																																																																																																																																																																																																																																																																																																																																																																																																																																																																																																																																																																																																																																																																																																																																																																																																																							
S 1101	180	21'-0"	20083	S		S 1102	72	30'-0"	11476	S			S 1101	180	21'-0"	20083	S				A 528	48	6'-11"	346	B				P 1116	104	27'-9"	15333	S				S 1102	72	30'-0"	11476	S			S 1101	180	21'-0"	20083	S		S 1102	72	30'-0"	11476	S	S 1101	180	21'-0"	20083	S		S 1102	72	30'-0"	11476	S			A 529	16	17'-1"	*	S				P 1117	2024	32'-0"	344112	S				S 1101	180	21'-0"	20083	S			S 1102	72	30'-0"	11476	S		S 1101	180	21'-0"	20083	S	S 1102	72	30'-0"	11476	S		S 1101	180	21'-0"	20083	S			A 601	36	13'-2"	1899	B				P 1118	88	29'-6"	13793	S				S 1102	72	30'-0"	11476	S			S 1101	180	21'-0"	20083	S		S 1102	72	30'-0"	11476	S	S 1101	180	21'-0"	20083	S		S 1102	72	30'-0"	11476	S			A 602	8	21'-1"	253	B				P 1119	176	28'-6"	26650	S				S 1101	180	21'-0"	20083	S			S 1102	72	30'-0"	11476	S		S 1101	180	21'-0"	20083	S	S 1102	72	30'-0"	11476	S		S 1101	180	21'-0"	20083	S			A 603	60	19'-6"	1797	B				P 1120	192	26'-2"	26693	S				S 1102	72	30'-0"	11476	S			S 1101	180	21'-0"	20083	S		S 1102	72	30'-0"	11476	S	S 1101	180	21'-0"	20083	S		S 1102	72	30'-0"	11476	S			A 604	60	18'-11"	1705	B				P 1121	88	25'-0"	11689	S				S 1101	180	21'-0"	20083	S			S 1102	72	30'-0"	11476	S		S 1101	180	21'-0"	20083	S	S 1102	72	30'-0"	11476	S		S 1101	180	21'-0"	20083	S			A 605	32	9'-4"	449	B				P 1122	264	24'-6"	34364	S				S 1102	72	30'-0"	11476	S			S 1101	180	21'-0"	20083	S		S 1102	72	30'-0"	11476	S	S 1101	180	21'-0"	20083	S		S 1102	72	30'-0"	11476	S			A 606	44	5'-4"	352	B																																																																																																																																																																																																																																																																																																																																																																																																																																																																																																																																																																																																																																																																																																																																																																																																																																																																																																																																																																																																																																																															
S 1102	72	30'-0"	11476	S		S 1101	180	21'-0"	20083	S			A 528	48	6'-11"	346	B				P 1116	104	27'-9"	15333	S				S 1102	72	30'-0"	11476	S				S 1101	180	21'-0"	20083	S			S 1102	72	30'-0"	11476	S		S 1101	180	21'-0"	20083	S	S 1102	72	30'-0"	11476	S		A 529	16	17'-1"	*	S			P 1117	2024	32'-0"	344112	S				S 1101	180	21'-0"	20083	S				S 1102	72	30'-0"	11476	S			S 1101	180	21'-0"	20083	S		S 1102	72	30'-0"	11476	S	S 1101	180	21'-0"	20083	S		A 601	36	13'-2"	1899	B			P 1118	88	29'-6"	13793	S				S 1102	72	30'-0"	11476	S				S 1101	180	21'-0"	20083	S			S 1102	72	30'-0"	11476	S		S 1101	180	21'-0"	20083	S	S 1102	72	30'-0"	11476	S		A 602	8	21'-1"	253	B			P 1119	176	28'-6"	26650	S				S 1101	180	21'-0"	20083	S				S 1102	72	30'-0"	11476	S			S 1101	180	21'-0"	20083	S		S 1102	72	30'-0"	11476	S	S 1101	180	21'-0"	20083	S		A 603	60	19'-6"	1797	B			P 1120	192	26'-2"	26693	S				S 1102	72	30'-0"	11476	S				S 1101	180	21'-0"	20083	S			S 1102	72	30'-0"	11476	S		S 1101	180	21'-0"	20083	S	S 1102	72	30'-0"	11476	S		A 604	60	18'-11"	1705	B			P 1121	88	25'-0"	11689	S				S 1101	180	21'-0"	20083	S				S 1102	72	30'-0"	11476	S			S 1101	180	21'-0"	20083	S		S 1102	72	30'-0"	11476	S	S 1101	180	21'-0"	20083	S		A 605	32	9'-4"	449	B			P 1122	264	24'-6"	34364	S				S 1102	72	30'-0"	11476	S				S 1101	180	21'-0"	20083	S			S 1102	72	30'-0"	11476	S		S 1101	180	21'-0"	20083	S	S 1102	72	30'-0"	11476	S		A 606	44	5'-4"	352	B																																																																																																																																																																																																																																																																																																																																																																																																																																																																																																																																																																																																																																																																																																																																																																																																																																																																																																																																																																																																																																																																						
S 1101	180	21'-0"	20083	S		A 528	48	6'-11"	346	B			P 1116	104	27'-9"	15333	S																																																																																																																																																																																																																																																																																																																																																																																																																																																																																																																																																																																																																																																																																																																																																																																																																																																																																																																																																																																																																																																																																																																																																																																																																																																																																																																																																																																																																
S 1102	72	30'-0"	11476	S		S 1101	180	21'-0"	20083	S			S 1102	72	30'-0"	11476	S				S 1101	180	21'-0"	20083	S				S 1102	72	30'-0"	11476	S				A 529	16	17'-1"	*	S			P 1117	2024	32'-0"	344112	S		S 1101	180	21'-0"	20083	S	S 1102	72	30'-0"	11476	S		S 1101	180	21'-0"	20083	S			S 1102	72	30'-0"	11476	S				S 1101	180	21'-0"	20083	S				A 601	36	13'-2"	1899	B			P 1118	88	29'-6"	13793	S		S 1102	72	30'-0"	11476	S	S 1101	180	21'-0"	20083	S		S 1102	72	30'-0"	11476	S			S 1101	180	21'-0"	20083	S				S 1102	72	30'-0"	11476	S				A 602	8	21'-1"	253	B			P 1119	176	28'-6"	26650	S		S 1101	180	21'-0"	20083	S	S 1102	72	30'-0"	11476	S		S 1101	180	21'-0"	20083	S			S 1102	72	30'-0"	11476	S				S 1101	180	21'-0"	20083	S				A 603	60	19'-6"	1797	B			P 1120	192	26'-2"	26693	S		S 1102	72	30'-0"	11476	S	S 1101	180	21'-0"	20083	S		S 1102	72	30'-0"	11476	S			S 1101	180	21'-0"	20083	S				S 1102	72	30'-0"	11476	S				A 604	60	18'-11"	1705	B			P 1121	88	25'-0"	11689	S		S 1101	180	21'-0"	20083	S	S 1102	72	30'-0"	11476	S		S 1101	180	21'-0"	20083	S			S 1102	72	30'-0"	11476	S				S 1101	180	21'-0"	20083	S				A 605	32	9'-4"	449	B			P 1122	264	24'-6"	34364	S		S 1102	72	30'-0"	11476	S	S 1101	180	21'-0"	20083	S		S 1102	72	30'-0"	11476	S			S 1101	180	21'-0"	20083	S				S 1102	72	30'-0"	11476	S				A 606	44	5'-4"	352	B																																																																																																																																																																																																																																																																																																																																																																																																																																																																																																																																																																																																																																																																																																																																																																																																																																																																																																																																																																																																																																																																																														
S 1101	180	21'-0"	20083	S		S 1102	72	30'-0"	11476	S			S 1101	180	21'-0"	20083	S				S 1102	72	30'-0"	11476	S				A 529	16	17'-1"	*	S				P 1117	2024	32'-0"	344112	S			S 1101	180	21'-0"	20083	S		S 1102	72	30'-0"	11476	S	S 1101	180	21'-0"	20083	S		S 1102	72	30'-0"	11476	S			S 1101	180	21'-0"	20083	S				A 601	36	13'-2"	1899	B				P 1118	88	29'-6"	13793	S			S 1102	72	30'-0"	11476	S		S 1101	180	21'-0"	20083	S	S 1102	72	30'-0"	11476	S		S 1101	180	21'-0"	20083	S			S 1102	72	30'-0"	11476	S				A 602	8	21'-1"	253	B				P 1119	176	28'-6"	26650	S			S 1101	180	21'-0"	20083	S		S 1102	72	30'-0"	11476	S	S 1101	180	21'-0"	20083	S		S 1102	72	30'-0"	11476	S			S 1101	180	21'-0"	20083	S				A 603	60	19'-6"	1797	B				P 1120	192	26'-2"	26693	S			S 1102	72	30'-0"	11476	S		S 1101	180	21'-0"	20083	S	S 1102	72	30'-0"	11476	S		S 1101	180	21'-0"	20083	S			S 1102	72	30'-0"	11476	S				A 604	60	18'-11"	1705	B				P 1121	88	25'-0"	11689	S			S 1101	180	21'-0"	20083	S		S 1102	72	30'-0"	11476	S	S 1101	180	21'-0"	20083	S		S 1102	72	30'-0"	11476	S			S 1101	180	21'-0"	20083	S				A 605	32	9'-4"	449	B				P 1122	264	24'-6"	34364	S			S 1102	72	30'-0"	11476	S		S 1101	180	21'-0"	20083	S	S 1102	72	30'-0"	11476	S		S 1101	180	21'-0"	20083	S			S 1102	72	30'-0"	11476	S				A 606	44	5'-4"	352	B																																																																																																																																																																																																																																																																																																																																																																																																																																																																																																																																																																																																																																																																																																																																																																																																																																																																																																																																																																																																																																																																																																						
S 1102	72	30'-0"	11476	S		S 1101	180	21'-0"	20083	S			S 1102	72	30'-0"	11476	S				A 529	16	17'-1"	*	S				P 1117	2024	32'-0"	344112	S				S 1101	180	21'-0"	20083	S			S 1102	72	30'-0"	11476	S		S 1101	180	21'-0"	20083	S	S 1102	72	30'-0"	11476	S		S 1101	180	21'-0"	20083	S			A 601	36	13'-2"	1899	B				P 1118	88	29'-6"	13793	S				S 1102	72	30'-0"	11476	S			S 1101	180	21'-0"	20083	S		S 1102	72	30'-0"	11476	S	S 1101	180	21'-0"	20083	S		S 1102	72	30'-0"	11476	S			A 602	8	21'-1"	253	B				P 1119	176	28'-6"	26650	S				S 1101	180	21'-0"	20083	S			S 1102	72	30'-0"	11476	S		S 1101	180	21'-0"	20083	S	S 1102	72	30'-0"	11476	S		S 1101	180	21'-0"	20083	S			A 603	60	19'-6"	1797	B				P 1120	192	26'-2"	26693	S				S 1102	72	30'-0"	11476	S			S 1101	180	21'-0"	20083	S		S 1102	72	30'-0"	11476	S	S 1101	180	21'-0"	20083	S		S 1102	72	30'-0"	11476	S			A 604	60	18'-11"	1705	B				P 1121	88	25'-0"	11689	S				S 1101	180	21'-0"	20083	S			S 1102	72	30'-0"	11476	S		S 1101	180	21'-0"	20083	S	S 1102	72	30'-0"	11476	S		S 1101	180	21'-0"	20083	S			A 605	32	9'-4"	449	B				P 1122	264	24'-6"	34364	S				S 1102	72	30'-0"	11476	S			S 1101	180	21'-0"	20083	S		S 1102	72	30'-0"	11476	S	S 1101	180	21'-0"	20083	S		S 1102	72	30'-0"	11476	S			A 606	44	5'-4"	352	B																																																																																																																																																																																																																																																																																																																																																																																																																																																																																																																																																																																																																																																																																																																																																																																																																																																																																																																																																																																																																																																																																																														
S 1101	180	21'-0"	20083	S		S 1102	72	30'-0"	11476	S			A 529	16	17'-1"	*	S				P 1117	2024	32'-0"	344112	S				S 1101	180	21'-0"	20083	S				S 1102	72	30'-0"	11476	S			S 1101	180	21'-0"	20083	S		S 1102	72	30'-0"	11476	S	S 1101	180	21'-0"	20083	S		A 601	36	13'-2"	1899	B			P 1118	88	29'-6"	13793	S				S 1102	72	30'-0"	11476	S				S 1101	180	21'-0"	20083	S			S 1102	72	30'-0"	11476	S		S 1101	180	21'-0"	20083	S	S 1102	72	30'-0"	11476	S		A 602	8	21'-1"	253	B			P 1119	176	28'-6"	26650	S				S 1101	180	21'-0"	20083	S				S 1102	72	30'-0"	11476	S			S 1101	180	21'-0"	20083	S		S 1102	72	30'-0"	11476	S	S 1101	180	21'-0"	20083	S		A 603	60	19'-6"	1797	B			P 1120	192	26'-2"	26693	S				S 1102	72	30'-0"	11476	S				S 1101	180	21'-0"	20083	S			S 1102	72	30'-0"	11476	S		S 1101	180	21'-0"	20083	S	S 1102	72	30'-0"	11476	S		A 604	60	18'-11"	1705	B			P 1121	88	25'-0"	11689	S				S 1101	180	21'-0"	20083	S				S 1102	72	30'-0"	11476	S			S 1101	180	21'-0"	20083	S		S 1102	72	30'-0"	11476	S	S 1101	180	21'-0"	20083	S		A 605	32	9'-4"	449	B			P 1122	264	24'-6"	34364	S				S 1102	72	30'-0"	11476	S				S 1101	180	21'-0"	20083	S			S 1102	72	30'-0"	11476	S		S 1101	180	21'-0"	20083	S	S 1102	72	30'-0"	11476	S		A 606	44	5'-4"	352	B																																																																																																																																																																																																																																																																																																																																																																																																																																																																																																																																																																																																																																																																																																																																																																																																																																																																																																																																																																																																																																																																																																																					
S 1102	72	30'-0"	11476	S		A 529	16	17'-1"	*	S			P 1117	2024	32'-0"	344112	S																																																																																																																																																																																																																																																																																																																																																																																																																																																																																																																																																																																																																																																																																																																																																																																																																																																																																																																																																																																																																																																																																																																																																																																																																																																																																																																																																																																																																
S 1101	180	21'-0"	20083	S		S 1102	72	30'-0"	11476	S			S 1101	180	21'-0"	20083	S				S 1102	72	30'-0"	11476	S				S 1101	180	21'-0"	20083	S				A 601	36	13'-2"	1899	B			P 1118	88	29'-6"	13793	S		S 1102	72	30'-0"	11476	S	S 1101	180	21'-0"	20083	S		S 1102	72	30'-0"	11476	S			S 1101	180	21'-0"	20083	S				S 1102	72	30'-0"	11476	S				A 602	8	21'-1"	253	B			P 1119	176	28'-6"	26650	S		S 1101	180	21'-0"	20083	S	S 1102	72	30'-0"	11476	S		S 1101	180	21'-0"	20083	S			S 1102	72	30'-0"	11476	S				S 1101	180	21'-0"	20083	S				A 603	60	19'-6"	1797	B			P 1120	192	26'-2"	26693	S		S 1102	72	30'-0"	11476	S	S 1101	180	21'-0"	20083	S		S 1102	72	30'-0"	11476	S			S 1101	180	21'-0"	20083	S				S 1102	72	30'-0"	11476	S				A 604	60	18'-11"	1705	B			P 1121	88	25'-0"	11689	S		S 1101	180	21'-0"	20083	S	S 1102	72	30'-0"	11476	S		S 1101	180	21'-0"	20083	S			S 1102	72	30'-0"	11476	S				S 1101	180	21'-0"	20083	S				A 605	32	9'-4"	449	B			P 1122	264	24'-6"	34364	S		S 1102	72	30'-0"	11476	S	S 1101	180	21'-0"	20083	S		S 1102	72	30'-0"	11476	S			S 1101	180	21'-0"	20083	S				S 1102	72	30'-0"	11476	S				A 606	44	5'-4"	352	B																																																																																																																																																																																																																																																																																																																																																																																																																																																																																																																																																																																																																																																																																																																																																																																																																																																																																																																																																																																																																																																																																																																																													
S 1102	72	30'-0"	11476	S		S 1101	180	21'-0"	20083	S			S 1102	72	30'-0"	11476	S				S 1101	180	21'-0"	20083	S				A 601	36	13'-2"	1899	B				P 1118	88	29'-6"	13793	S			S 1102	72	30'-0"	11476	S		S 1101	180	21'-0"	20083	S	S 1102	72	30'-0"	11476	S		S 1101	180	21'-0"	20083	S			S 1102	72	30'-0"	11476	S				A 602	8	21'-1"	253	B				P 1119	176	28'-6"	26650	S			S 1101	180	21'-0"	20083	S		S 1102	72	30'-0"	11476	S	S 1101	180	21'-0"	20083	S		S 1102	72	30'-0"	11476	S			S 1101	180	21'-0"	20083	S				A 603	60	19'-6"	1797	B				P 1120	192	26'-2"	26693	S			S 1102	72	30'-0"	11476	S		S 1101	180	21'-0"	20083	S	S 1102	72	30'-0"	11476	S		S 1101	180	21'-0"	20083	S			S 1102	72	30'-0"	11476	S				A 604	60	18'-11"	1705	B				P 1121	88	25'-0"	11689	S			S 1101	180	21'-0"	20083	S		S 1102	72	30'-0"	11476	S	S 1101	180	21'-0"	20083	S		S 1102	72	30'-0"	11476	S			S 1101	180	21'-0"	20083	S				A 605	32	9'-4"	449	B				P 1122	264	24'-6"	34364	S			S 1102	72	30'-0"	11476	S		S 1101	180	21'-0"	20083	S	S 1102	72	30'-0"	11476	S		S 1101	180	21'-0"	20083	S			S 1102	72	30'-0"	11476	S				A 606	44	5'-4"	352	B																																																																																																																																																																																																																																																																																																																																																																																																																																																																																																																																																																																																																																																																																																																																																																																																																																																																																																																																																																																																																																																																																																																																																					
S 1101	180	21'-0"	20083	S		S 1102	72	30'-0"	11476	S			S 1101	180	21'-0"	20083	S				A 601	36	13'-2"	1899	B				P 1118	88	29'-6"	13793	S				S 1102	72	30'-0"	11476	S			S 1101	180	21'-0"	20083	S		S 1102	72	30'-0"	11476	S	S 1101	180	21'-0"	20083	S		S 1102	72	30'-0"	11476	S			A 602	8	21'-1"	253	B				P 1119	176	28'-6"	26650	S				S 1101	180	21'-0"	20083	S			S 1102	72	30'-0"	11476	S		S 1101	180	21'-0"	20083	S	S 1102	72	30'-0"	11476	S		S 1101	180	21'-0"	20083	S			A 603	60	19'-6"	1797	B				P 1120	192	26'-2"	26693	S				S 1102	72	30'-0"	11476	S			S 1101	180	21'-0"	20083	S		S 1102	72	30'-0"	11476	S	S 1101	180	21'-0"	20083	S		S 1102	72	30'-0"	11476	S			A 604	60	18'-11"	1705	B				P 1121	88	25'-0"	11689	S				S 1101	180	21'-0"	20083	S			S 1102	72	30'-0"	11476	S		S 1101	180	21'-0"	20083	S	S 1102	72	30'-0"	11476	S		S 1101	180	21'-0"	20083	S			A 605	32	9'-4"	449	B				P 1122	264	24'-6"	34364	S				S 1102	72	30'-0"	11476	S			S 1101	180	21'-0"	20083	S		S 1102	72	30'-0"	11476	S	S 1101	180	21'-0"	20083	S		S 1102	72	30'-0"	11476	S			A 606	44	5'-4"	352	B																																																																																																																																																																																																																																																																																																																																																																																																																																																																																																																																																																																																																																																																																																																																																																																																																																																																																																																																																																																																																																																																																																																																																													
S 1102	72	30'-0"	11476	S		S 1101	180	21'-0"	20083	S			A 601	36	13'-2"	1899	B				P 1118	88	29'-6"	13793	S				S 1102	72	30'-0"	11476	S				S 1101	180	21'-0"	20083	S			S 1102	72	30'-0"	11476	S		S 1101	180	21'-0"	20083	S	S 1102	72	30'-0"	11476	S		A 602	8	21'-1"	253	B			P 1119	176	28'-6"	26650	S				S 1101	180	21'-0"	20083	S				S 1102	72	30'-0"	11476	S			S 1101	180	21'-0"	20083	S		S 1102	72	30'-0"	11476	S	S 1101	180	21'-0"	20083	S		A 603	60	19'-6"	1797	B			P 1120	192	26'-2"	26693	S				S 1102	72	30'-0"	11476	S				S 1101	180	21'-0"	20083	S			S 1102	72	30'-0"	11476	S		S 1101	180	21'-0"	20083	S	S 1102	72	30'-0"	11476	S		A 604	60	18'-11"	1705	B			P 1121	88	25'-0"	11689	S				S 1101	180	21'-0"	20083	S				S 1102	72	30'-0"	11476	S			S 1101	180	21'-0"	20083	S		S 1102	72	30'-0"	11476	S	S 1101	180	21'-0"	20083	S		A 605	32	9'-4"	449	B			P 1122	264	24'-6"	34364	S				S 1102	72	30'-0"	11476	S				S 1101	180	21'-0"	20083	S			S 1102	72	30'-0"	11476	S		S 1101	180	21'-0"	20083	S	S 1102	72	30'-0"	11476	S		A 606	44	5'-4"	352	B																																																																																																																																																																																																																																																																																																																																																																																																																																																																																																																																																																																																																																																																																																																																																																																																																																																																																																																																																																																																																																																																																																																																																																				
S 1101	180	21'-0"	20083	S		A 601	36	13'-2"	1899	B			P 1118	88	29'-6"	13793	S																																																																																																																																																																																																																																																																																																																																																																																																																																																																																																																																																																																																																																																																																																																																																																																																																																																																																																																																																																																																																																																																																																																																																																																																																																																																																																																																																																																																																
S 1102	72	30'-0"	11476	S		S 1101	180	21'-0"	20083	S			S 1102	72	30'-0"	11476	S				S 1101	180	21'-0"	20083	S				S 1102	72	30'-0"	11476	S				A 602	8	21'-1"	253	B			P 1119	176	28'-6"	26650	S		S 1101	180	21'-0"	20083	S	S 1102	72	30'-0"	11476	S		S 1101	180	21'-0"	20083	S			S 1102	72	30'-0"	11476	S				S 1101	180	21'-0"	20083	S				A 603	60	19'-6"	1797	B			P 1120	192	26'-2"	26693	S		S 1102	72	30'-0"	11476	S	S 1101	180	21'-0"	20083	S		S 1102	72	30'-0"	11476	S			S 1101	180	21'-0"	20083	S				S 1102	72	30'-0"	11476	S				A 604	60	18'-11"	1705	B			P 1121	88	25'-0"	11689	S		S 1101	180	21'-0"	20083	S	S 1102	72	30'-0"	11476	S		S 1101	180	21'-0"	20083	S			S 1102	72	30'-0"	11476	S				S 1101	180	21'-0"	20083	S				A 605	32	9'-4"	449	B			P 1122	264	24'-6"	34364	S		S 1102	72	30'-0"	11476	S	S 1101	180	21'-0"	20083	S		S 1102	72	30'-0"	11476	S			S 1101	180	21'-0"	20083	S				S 1102	72	30'-0"	11476	S				A 606	44	5'-4"	352	B																																																																																																																																																																																																																																																																																																																																																																																																																																																																																																																																																																																																																																																																																																																																																																																																																																																																																																																																																																																																																																																																																																																																																																																												
S 1101	180	21'-0"	20083	S		S 1102	72	30'-0"	11476	S			S 1101	180	21'-0"	20083	S				S 1102	72	30'-0"	11476	S				A 602	8	21'-1"	253	B				P 1119	176	28'-6"	26650	S			S 1101	180	21'-0"	20083	S		S 1102	72	30'-0"	11476	S	S 1101	180	21'-0"	20083	S		S 1102	72	30'-0"	11476	S			S 1101	180	21'-0"	20083	S				A 603	60	19'-6"	1797	B				P 1120	192	26'-2"	26693	S			S 1102	72	30'-0"	11476	S		S 1101	180	21'-0"	20083	S	S 1102	72	30'-0"	11476	S		S 1101	180	21'-0"	20083	S			S 1102	72	30'-0"	11476	S				A 604	60	18'-11"	1705	B				P 1121	88	25'-0"	11689	S			S 1101	180	21'-0"	20083	S		S 1102	72	30'-0"	11476	S	S 1101	180	21'-0"	20083	S		S 1102	72	30'-0"	11476	S			S 1101	180	21'-0"	20083	S				A 605	32	9'-4"	449	B				P 1122	264	24'-6"	34364	S			S 1102	72	30'-0"	11476	S		S 1101	180	21'-0"	20083	S	S 1102	72	30'-0"	11476	S		S 1101	180	21'-0"	20083	S			S 1102	72	30'-0"	11476	S				A 606	44	5'-4"	352	B																																																																																																																																																																																																																																																																																																																																																																																																																																																																																																																																																																																																																																																																																																																																																																																																																																																																																																																																																																																																																																																																																																																																																																																																				
S 1102	72	30'-0"	11476	S		S 1101	180	21'-0"	20083	S			S 1102	72	30'-0"	11476	S				A 602	8	21'-1"	253	B				P 1119	176	28'-6"	26650	S				S 1101	180	21'-0"	20083	S			S 1102	72	30'-0"	11476	S		S 1101	180	21'-0"	20083	S	S 1102	72	30'-0"	11476	S		S 1101	180	21'-0"	20083	S			A 603	60	19'-6"	1797	B				P 1120	192	26'-2"	26693	S				S 1102	72	30'-0"	11476	S			S 1101	180	21'-0"	20083	S		S 1102	72	30'-0"	11476	S	S 1101	180	21'-0"	20083	S		S 1102	72	30'-0"	11476	S			A 604	60	18'-11"	1705	B				P 1121	88	25'-0"	11689	S				S 1101	180	21'-0"	20083	S			S 1102	72	30'-0"	11476	S		S 1101	180	21'-0"	20083	S	S 1102	72	30'-0"	11476	S		S 1101	180	21'-0"	20083	S			A 605	32	9'-4"	449	B				P 1122	264	24'-6"	34364	S				S 1102	72	30'-0"	11476	S			S 1101	180	21'-0"	20083	S		S 1102	72	30'-0"	11476	S	S 1101	180	21'-0"	20083	S		S 1102	72	30'-0"	11476	S			A 606	44	5'-4"	352	B																																																																																																																																																																																																																																																																																																																																																																																																																																																																																																																																																																																																																																																																																																																																																																																																																																																																																																																																																																																																																																																																																																																																																																																																												
S 1101	180	21'-0"	20083	S		S 1102	72	30'-0"	11476	S			A 602	8	21'-1"	253	B				P 1119	176	28'-6"	26650	S				S 1101	180	21'-0"	20083	S				S 1102	72	30'-0"	11476	S			S 1101	180	21'-0"	20083	S		S 1102	72	30'-0"	11476	S	S 1101	180	21'-0"	20083	S		A 603	60	19'-6"	1797	B			P 1120	192	26'-2"	26693	S				S 1102	72	30'-0"	11476	S				S 1101	180	21'-0"	20083	S			S 1102	72	30'-0"	11476	S		S 1101	180	21'-0"	20083	S	S 1102	72	30'-0"	11476	S		A 604	60	18'-11"	1705	B			P 1121	88	25'-0"	11689	S				S 1101	180	21'-0"	20083	S				S 1102	72	30'-0"	11476	S			S 1101	180	21'-0"	20083	S		S 1102	72	30'-0"	11476	S	S 1101	180	21'-0"	20083	S		A 605	32	9'-4"	449	B			P 1122	264	24'-6"	34364	S				S 1102	72	30'-0"	11476	S				S 1101	180	21'-0"	20083	S			S 1102	72	30'-0"	11476	S		S 1101	180	21'-0"	20083	S	S 1102	72	30'-0"	11476	S		A 606	44	5'-4"	352	B																																																																																																																																																																																																																																																																																																																																																																																																																																																																																																																																																																																																																																																																																																																																																																																																																																																																																																																																																																																																																																																																																																																																																																																																																			
S 1102	72	30'-0"	11476	S		A 602	8	21'-1"	253	B			P 1119	176	28'-6"	26650	S																																																																																																																																																																																																																																																																																																																																																																																																																																																																																																																																																																																																																																																																																																																																																																																																																																																																																																																																																																																																																																																																																																																																																																																																																																																																																																																																																																																																																
S 1101	180	21'-0"	20083	S		S 1102	72	30'-0"	11476	S			S 1101	180	21'-0"	20083	S				S 1102	72	30'-0"	11476	S				S 1101	180	21'-0"	20083	S				A 603	60	19'-6"	1797	B			P 1120	192	26'-2"	26693	S		S 1102	72	30'-0"	11476	S	S 1101	180	21'-0"	20083	S		S 1102	72	30'-0"	11476	S			S 1101	180	21'-0"	20083	S				S 1102	72	30'-0"	11476	S				A 604	60	18'-11"	1705	B			P 1121	88	25'-0"	11689	S		S 1101	180	21'-0"	20083	S	S 1102	72	30'-0"	11476	S		S 1101	180	21'-0"	20083	S			S 1102	72	30'-0"	11476	S				S 1101	180	21'-0"	20083	S				A 605	32	9'-4"	449	B			P 1122	264	24'-6"	34364	S		S 1102	72	30'-0"	11476	S	S 1101	180	21'-0"	20083	S		S 1102	72	30'-0"	11476	S			S 1101	180	21'-0"	20083	S				S 1102	72	30'-0"	11476	S				A 606	44	5'-4"	352	B																																																																																																																																																																																																																																																																																																																																																																																																																																																																																																																																																																																																																																																																																																																																																																																																																																																																																																																																																																																																																																																																																																																																																																																																																																											
S 1102	72	30'-0"	11476	S		S 1101	180	21'-0"	20083	S			S 1102	72	30'-0"	11476	S				S 1101	180	21'-0"	20083	S				A 603	60	19'-6"	1797	B				P 1120	192	26'-2"	26693	S			S 1102	72	30'-0"	11476	S		S 1101	180	21'-0"	20083	S	S 1102	72	30'-0"	11476	S		S 1101	180	21'-0"	20083	S			S 1102	72	30'-0"	11476	S				A 604	60	18'-11"	1705	B				P 1121	88	25'-0"	11689	S			S 1101	180	21'-0"	20083	S		S 1102	72	30'-0"	11476	S	S 1101	180	21'-0"	20083	S		S 1102	72	30'-0"	11476	S			S 1101	180	21'-0"	20083	S				A 605	32	9'-4"	449	B				P 1122	264	24'-6"	34364	S			S 1102	72	30'-0"	11476	S		S 1101	180	21'-0"	20083	S	S 1102	72	30'-0"	11476	S		S 1101	180	21'-0"	20083	S			S 1102	72	30'-0"	11476	S				A 606	44	5'-4"	352	B																																																																																																																																																																																																																																																																																																																																																																																																																																																																																																																																																																																																																																																																																																																																																																																																																																																																																																																																																																																																																																																																																																																																																																																																																																																			
S 1101	180	21'-0"	20083	S		S 1102	72	30'-0"	11476	S			S 1101	180	21'-0"	20083	S				A 603	60	19'-6"	1797	B				P 1120	192	26'-2"	26693	S				S 1102	72	30'-0"	11476	S			S 1101	180	21'-0"	20083	S		S 1102	72	30'-0"	11476	S	S 1101	180	21'-0"	20083	S		S 1102	72	30'-0"	11476	S			A 604	60	18'-11"	1705	B				P 1121	88	25'-0"	11689	S				S 1101	180	21'-0"	20083	S			S 1102	72	30'-0"	11476	S		S 1101	180	21'-0"	20083	S	S 1102	72	30'-0"	11476	S		S 1101	180	21'-0"	20083	S			A 605	32	9'-4"	449	B				P 1122	264	24'-6"	34364	S				S 1102	72	30'-0"	11476	S			S 1101	180	21'-0"	20083	S		S 1102	72	30'-0"	11476	S	S 1101	180	21'-0"	20083	S		S 1102	72	30'-0"	11476	S			A 606	44	5'-4"	352	B																																																																																																																																																																																																																																																																																																																																																																																																																																																																																																																																																																																																																																																																																																																																																																																																																																																																																																																																																																																																																																																																																																																																																																																																																																																											
S 1102	72	30'-0"	11476	S		S 1101	180	21'-0"	20083	S			A 603	60	19'-6"	1797	B				P 1120	192	26'-2"	26693	S				S 1102	72	30'-0"	11476	S				S 1101	180	21'-0"	20083	S			S 1102	72	30'-0"	11476	S		S 1101	180	21'-0"	20083	S	S 1102	72	30'-0"	11476	S		A 604	60	18'-11"	1705	B			P 1121	88	25'-0"	11689	S				S 1101	180	21'-0"	20083	S				S 1102	72	30'-0"	11476	S			S 1101	180	21'-0"	20083	S		S 1102	72	30'-0"	11476	S	S 1101	180	21'-0"	20083	S		A 605	32	9'-4"	449	B			P 1122	264	24'-6"	34364	S				S 1102	72	30'-0"	11476	S				S 1101	180	21'-0"	20083	S			S 1102	72	30'-0"	11476	S		S 1101	180	21'-0"	20083	S	S 1102	72	30'-0"	11476	S		A 606	44	5'-4"	352	B																																																																																																																																																																																																																																																																																																																																																																																																																																																																																																																																																																																																																																																																																																																																																																																																																																																																																																																																																																																																																																																																																																																																																																																																																																																																		
S 1101	180	21'-0"	20083	S		A 603	60	19'-6"	1797	B			P 1120	192	26'-2"	26693	S																																																																																																																																																																																																																																																																																																																																																																																																																																																																																																																																																																																																																																																																																																																																																																																																																																																																																																																																																																																																																																																																																																																																																																																																																																																																																																																																																																																																																
S 1102	72	30'-0"	11476	S		S 1101	180	21'-0"	20083	S			S 1102	72	30'-0"	11476	S				S 1101	180	21'-0"	20083	S				S 1102	72	30'-0"	11476	S				A 604	60	18'-11"	1705	B			P 1121	88	25'-0"	11689	S		S 1101	180	21'-0"	20083	S	S 1102	72	30'-0"	11476	S		S 1101	180	21'-0"	20083	S			S 1102	72	30'-0"	11476	S				S 1101	180	21'-0"	20083	S				A 605	32	9'-4"	449	B			P 1122	264	24'-6"	34364	S		S 1102	72	30'-0"	11476	S	S 1101	180	21'-0"	20083	S		S 1102	72	30'-0"	11476	S			S 1101	180	21'-0"	20083	S				S 1102	72	30'-0"	11476	S				A 606	44	5'-4"	352	B																																																																																																																																																																																																																																																																																																																																																																																																																																																																																																																																																																																																																																																																																																																																																																																																																																																																																																																																																																																																																																																																																																																																																																																																																																																																																										
S 1101	180	21'-0"	20083	S		S 1102	72	30'-0"	11476	S			S 1101	180	21'-0"	20083	S				S 1102	72	30'-0"	11476	S				A 604	60	18'-11"	1705	B				P 1121	88	25'-0"	11689	S			S 1101	180	21'-0"	20083	S		S 1102	72	30'-0"	11476	S	S 1101	180	21'-0"	20083	S		S 1102	72	30'-0"	11476	S			S 1101	180	21'-0"	20083	S				A 605	32	9'-4"	449	B				P 1122	264	24'-6"	34364	S			S 1102	72	30'-0"	11476	S		S 1101	180	21'-0"	20083	S	S 1102	72	30'-0"	11476	S		S 1101	180	21'-0"	20083	S			S 1102	72	30'-0"	11476	S				A 606	44	5'-4"	352	B																																																																																																																																																																																																																																																																																																																																																																																																																																																																																																																																																																																																																																																																																																																																																																																																																																																																																																																																																																																																																																																																																																																																																																																																																																																																																																		
S 1102	72	30'-0"	11476	S		S 1101	180	21'-0"	20083	S			S 1102	72	30'-0"	11476	S				A 604	60	18'-11"	1705	B				P 1121	88	25'-0"	11689	S				S 1101	180	21'-0"	20083	S			S 1102	72	30'-0"	11476	S		S 1101	180	21'-0"	20083	S	S 1102	72	30'-0"	11476	S		S 1101	180	21'-0"	20083	S			A 605	32	9'-4"	449	B				P 1122	264	24'-6"	34364	S				S 1102	72	30'-0"	11476	S			S 1101	180	21'-0"	20083	S		S 1102	72	30'-0"	11476	S	S 1101	180	21'-0"	20083	S		S 1102	72	30'-0"	11476	S			A 606	44	5'-4"	352	B																																																																																																																																																																																																																																																																																																																																																																																																																																																																																																																																																																																																																																																																																																																																																																																																																																																																																																																																																																																																																																																																																																																																																																																																																																																																																																										
S 1101	180	21'-0"	20083	S		S 1102	72	30'-0"	11476	S			A 604	60	18'-11"	1705	B				P 1121	88	25'-0"	11689	S				S 1101	180	21'-0"	20083	S				S 1102	72	30'-0"	11476	S			S 1101	180	21'-0"	20083	S		S 1102	72	30'-0"	11476	S	S 1101	180	21'-0"	20083	S		A 605	32	9'-4"	449	B			P 1122	264	24'-6"	34364	S				S 1102	72	30'-0"	11476	S				S 1101	180	21'-0"	20083	S			S 1102	72	30'-0"	11476	S		S 1101	180	21'-0"	20083	S	S 1102	72	30'-0"	11476	S		A 606	44	5'-4"	352	B																																																																																																																																																																																																																																																																																																																																																																																																																																																																																																																																																																																																																																																																																																																																																																																																																																																																																																																																																																																																																																																																																																																																																																																																																																																																																																																	
S 1102	72	30'-0"	11476	S		A 604	60	18'-11"	1705	B			P 1121	88	25'-0"	11689	S																																																																																																																																																																																																																																																																																																																																																																																																																																																																																																																																																																																																																																																																																																																																																																																																																																																																																																																																																																																																																																																																																																																																																																																																																																																																																																																																																																																																																
S 1101	180	21'-0"	20083	S		S 1102	72	30'-0"	11476	S			S 1101	180	21'-0"	20083	S				S 1102	72	30'-0"	11476	S				S 1101	180	21'-0"	20083	S				A 605	32	9'-4"	449	B			P 1122	264	24'-6"	34364	S		S 1102	72	30'-0"	11476	S	S 1101	180	21'-0"	20083	S		S 1102	72	30'-0"	11476	S			S 1101	180	21'-0"	20083	S				S 1102	72	30'-0"	11476	S				A 606	44	5'-4"	352	B																																																																																																																																																																																																																																																																																																																																																																																																																																																																																																																																																																																																																																																																																																																																																																																																																																																																																																																																																																																																																																																																																																																																																																																																																																																																																																																																									
S 1102	72	30'-0"	11476	S		S 1101	180	21'-0"	20083	S			S 1102	72	30'-0"	11476	S				S 1101	180	21'-0"	20083	S				A 605	32	9'-4"	449	B				P 1122	264	24'-6"	34364	S			S 1102	72	30'-0"	11476	S		S 1101	180	21'-0"	20083	S	S 1102	72	30'-0"	11476	S		S 1101	180	21'-0"	20083	S			S 1102	72	30'-0"	11476	S				A 606	44	5'-4"	352	B																																																																																																																																																																																																																																																																																																																																																																																																																																																																																																																																																																																																																																																																																																																																																																																																																																																																																																																																																																																																																																																																																																																																																																																																																																																																																																																																																	
S 1101	180	21'-0"	20083	S		S 1102	72	30'-0"	11476	S			S 1101	180	21'-0"	20083	S				A 605	32	9'-4"	449	B				P 1122	264	24'-6"	34364	S				S 1102	72	30'-0"	11476	S			S 1101	180	21'-0"	20083	S		S 1102	72	30'-0"	11476	S	S 1101	180	21'-0"	20083	S		S 1102	72	30'-0"	11476	S			A 606	44	5'-4"	352	B																																																																																																																																																																																																																																																																																																																																																																																																																																																																																																																																																																																																																																																																																																																																																																																																																																																																																																																																																																																																																																																																																																																																																																																																																																																																																																																																																									
S 1102	72	30'-0"	11476	S		S 1101	180	21'-0"	20083	S			A 605	32	9'-4"	449	B				P 1122	264	24'-6"	34364	S				S 1102	72	30'-0"	11476	S				S 1101	180	21'-0"	20083	S			S 1102	72	30'-0"	11476	S		S 1101	180	21'-0"	20083	S	S 1102	72	30'-0"	11476	S		A 606	44	5'-4"	352	B																																																																																																																																																																																																																																																																																																																																																																																																																																																																																																																																																																																																																																																																																																																																																																																																																																																																																																																																																																																																																																																																																																																																																																																																																																																																																																																																																																
S 1101	180	21'-0"	20083	S		A 605	32	9'-4"	449	B			P 1122	264	24'-6"	34364	S																																																																																																																																																																																																																																																																																																																																																																																																																																																																																																																																																																																																																																																																																																																																																																																																																																																																																																																																																																																																																																																																																																																																																																																																																																																																																																																																																																																																																
S 1102	72	30'-0"	11476	S		S 1101	180	21'-0"	20083	S			S 1102	72	30'-0"	11476	S				S 1101	180	21'-0"	20083	S				S 1102	72	30'-0"	11476	S				A 606	44	5'-4"	352	B																																																																																																																																																																																																																																																																																																																																																																																																																																																																																																																																																																																																																																																																																																																																																																																																																																																																																																																																																																																																																																																																																																																																																																																																																																																																																																																																																																																								
S 1101	180	21'-0"	20083	S		S 1102	72	30'-0"	11476	S			S 1101	180	21'-0"	20083	S				S 1102	72	30'-0"	11476	S				A 606	44	5'-4"	352	B																																																																																																																																																																																																																																																																																																																																																																																																																																																																																																																																																																																																																																																																																																																																																																																																																																																																																																																																																																																																																																																																																																																																																																																																																																																																																																																																																																																																
S 1102	72	30'-0"	11476	S		S 1101	180	21'-0"	20083	S			S 1102	72	30'-0"	11476	S				A 606	44	5'-4"	352	B																																																																																																																																																																																																																																																																																																																																																																																																																																																																																																																																																																																																																																																																																																																																																																																																																																																																																																																																																																																																																																																																																																																																																																																																																																																																																																																																																																																																								
S 1101	180	21'-0"	20083	S		S 1102	72	30'-0"	11476	S			A 606	44	5'-4"	352	B																																																																																																																																																																																																																																																																																																																																																																																																																																																																																																																																																																																																																																																																																																																																																																																																																																																																																																																																																																																																																																																																																																																																																																																																																																																																																																																																																																																																																
S 1102	72	30'-0"	11476	S		A 606	44	5'-4"	352	B																																																																																																																																																																																																																																																																																																																																																																																																																																																																																																																																																																																																																																																																																																																																																																																																																																																																																																																																																																																																																																																																																																																																																																																																																																																																																																																																																																																																																							

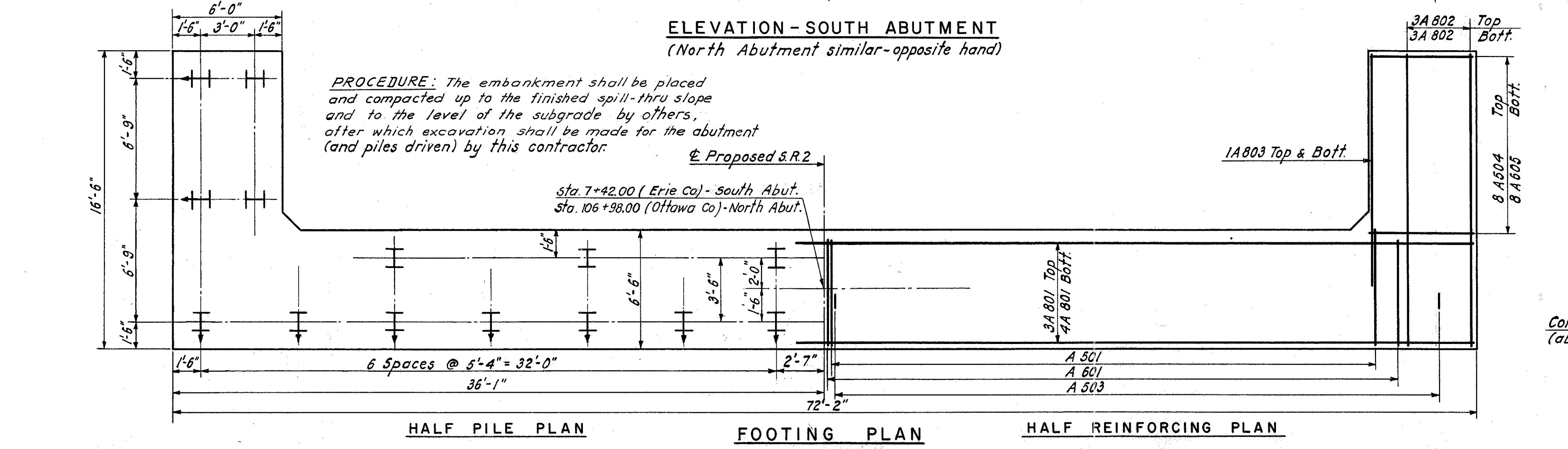
OTTAWA COUNTY
OTT-2-28.41
ERIE COUNTY
ERI-2-0.00



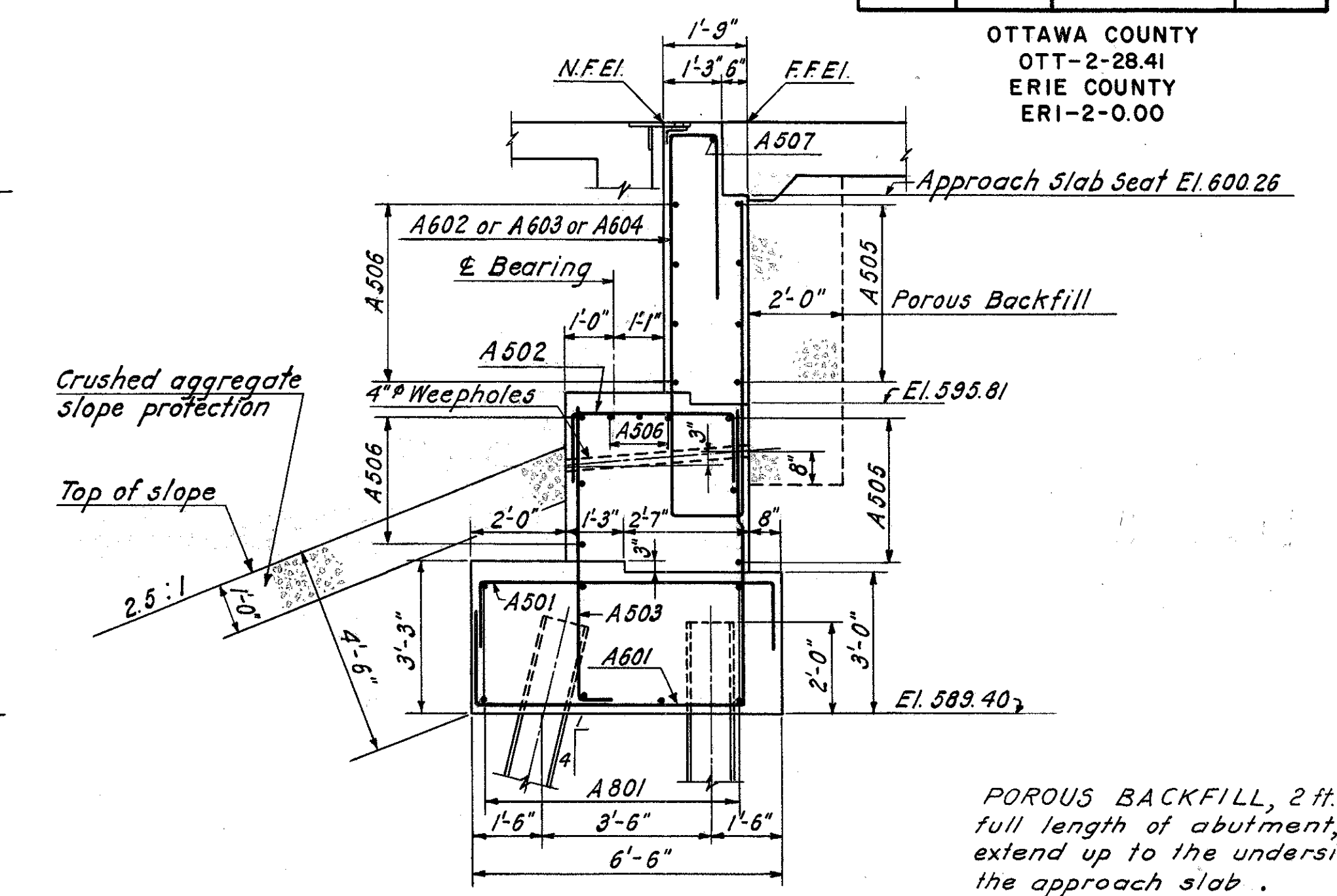
PLAN-SOUTH ABUTMENT
(North Abutment similar-opposite hand)



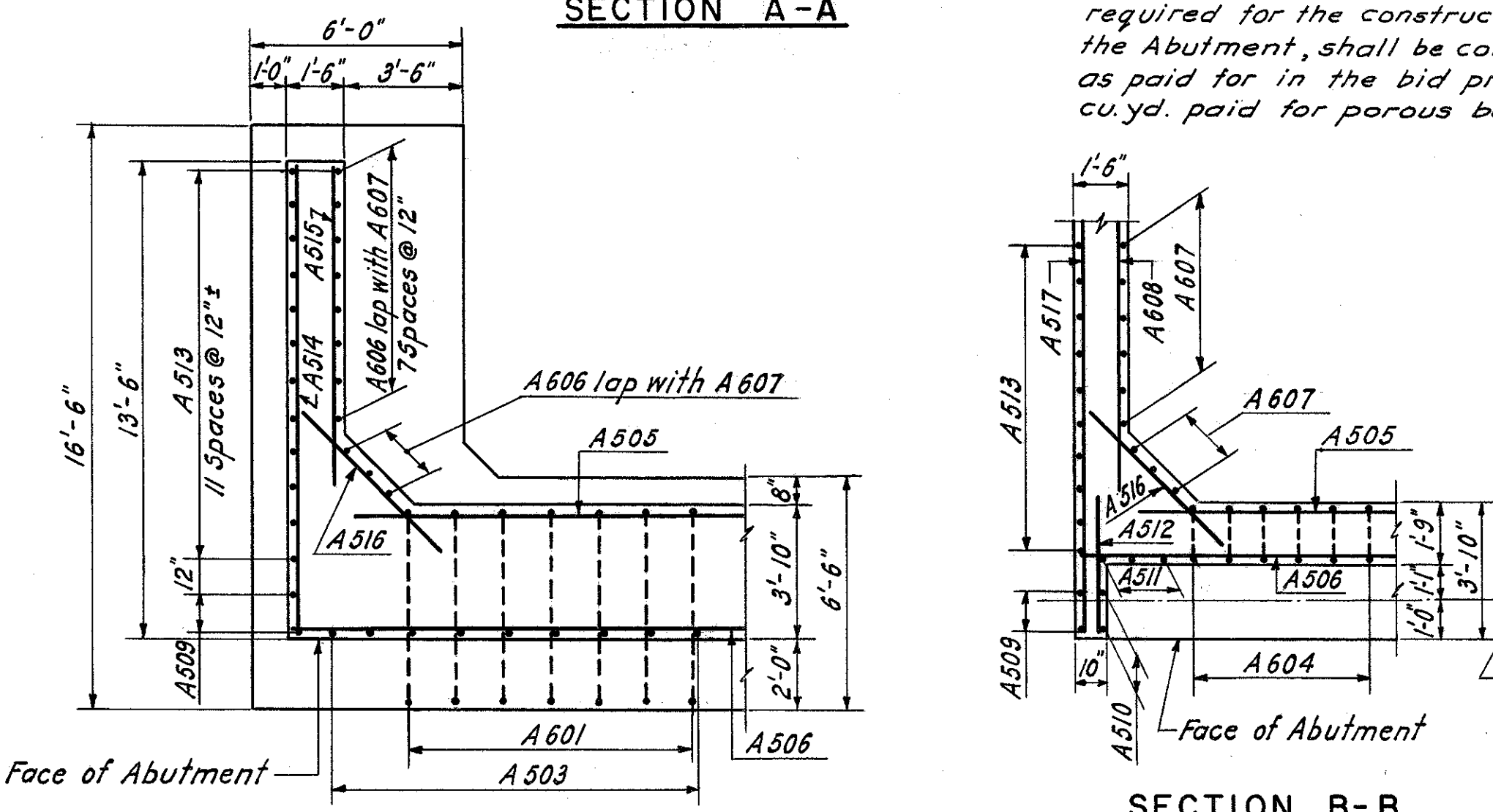
ELEVATION-SOUTH ABUTMENT
(North Abutment similar-opposite hand)



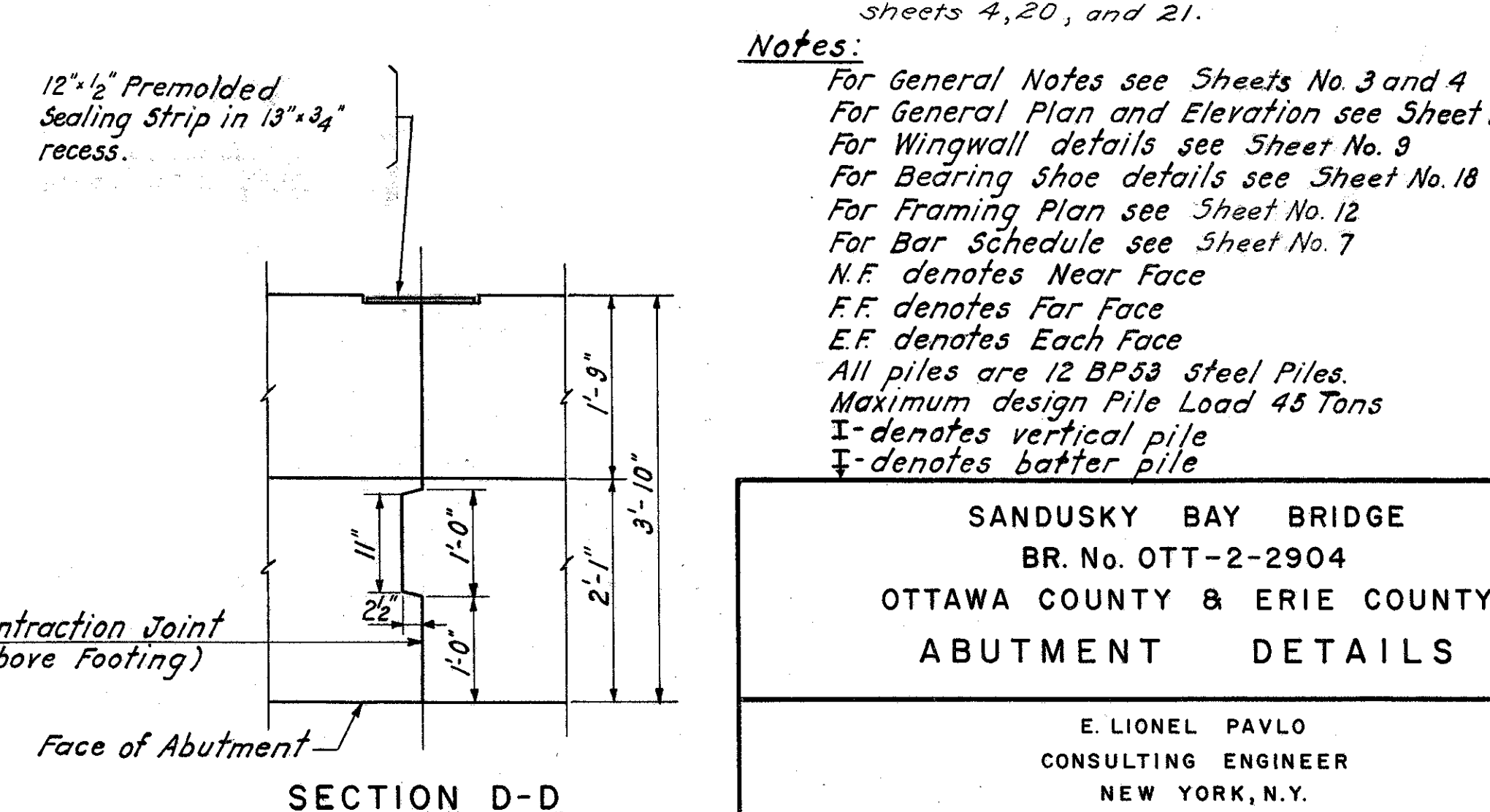
HALF PILE PLAN FOOTING PLAN HALF REINFORCING PLAN



SECTION A-A



SECTION C-C



SECTION D-D

For Electrical notes and details see sheets 4, 20, and 21.

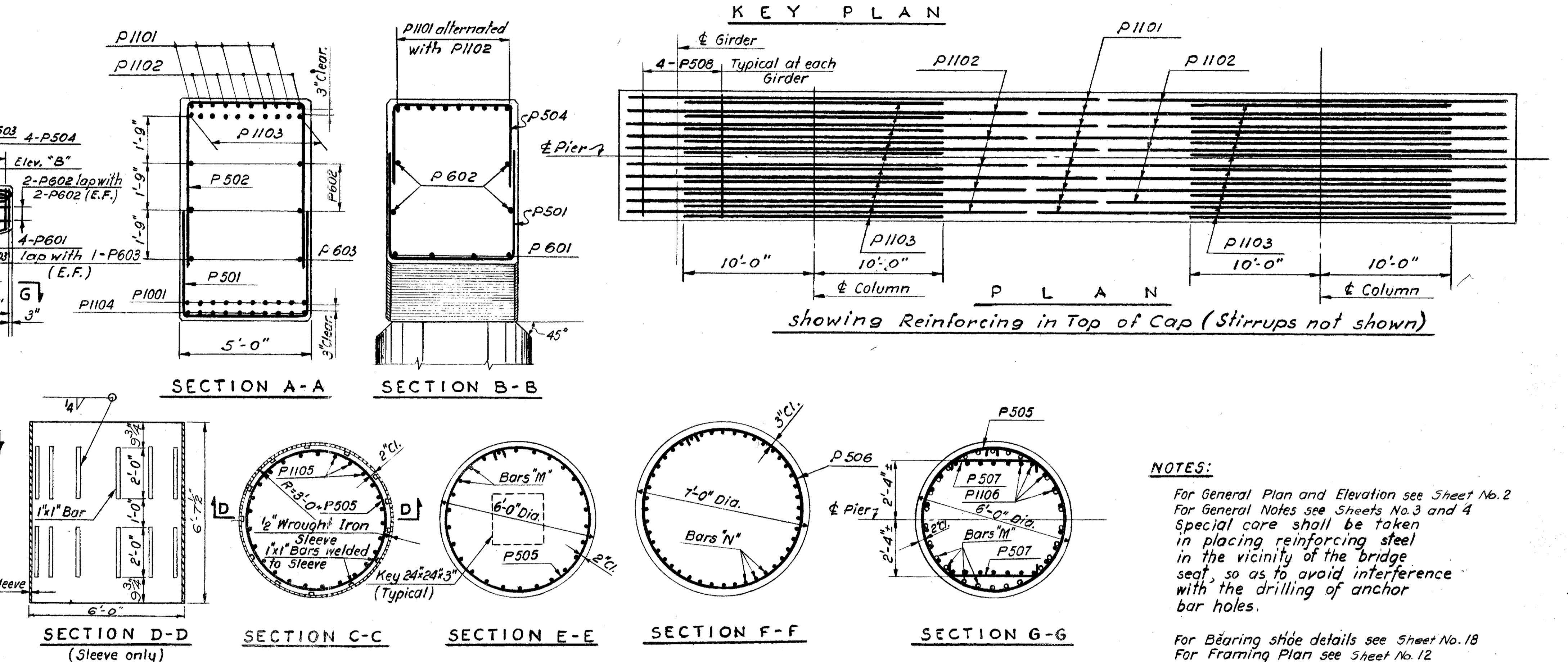
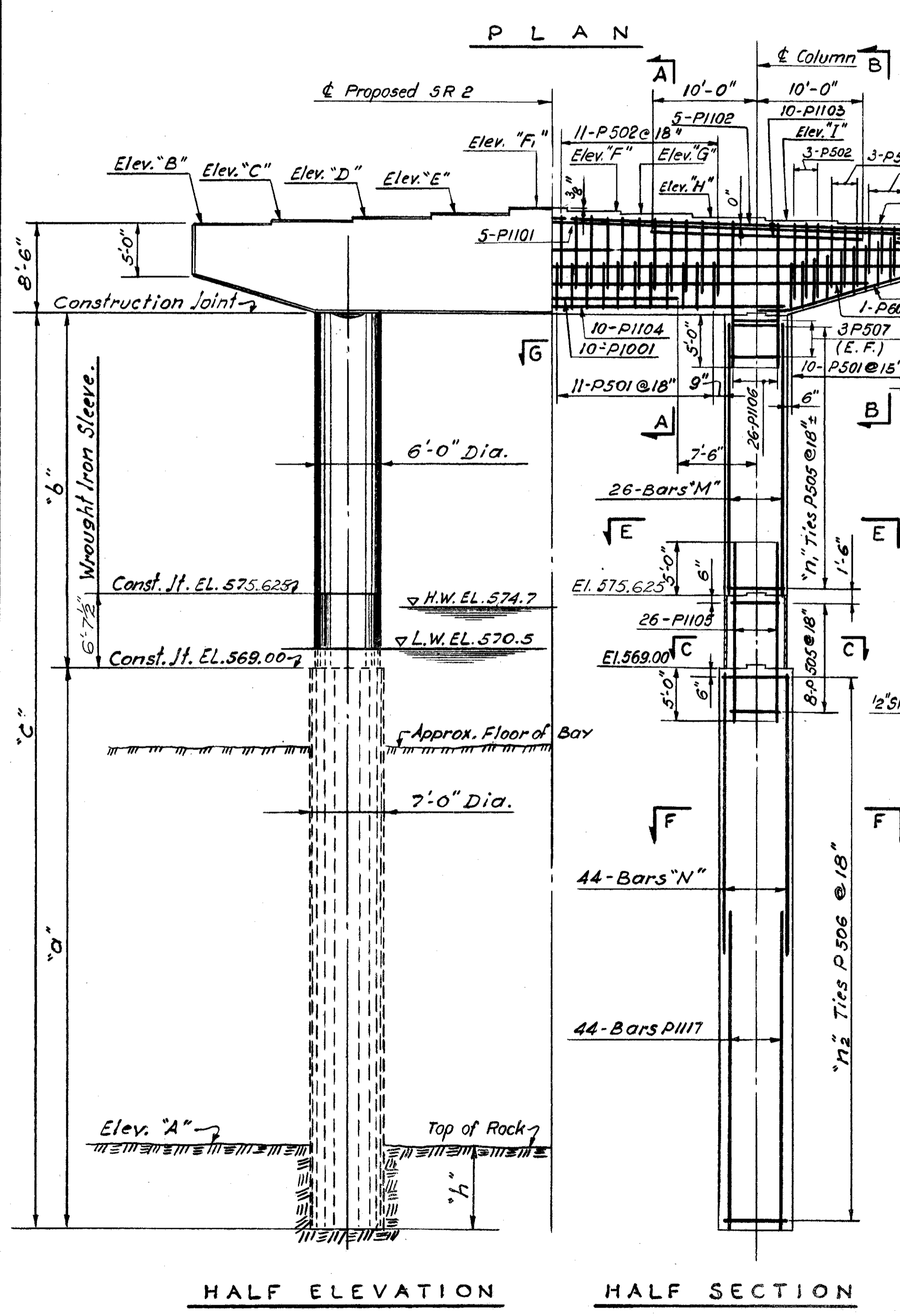
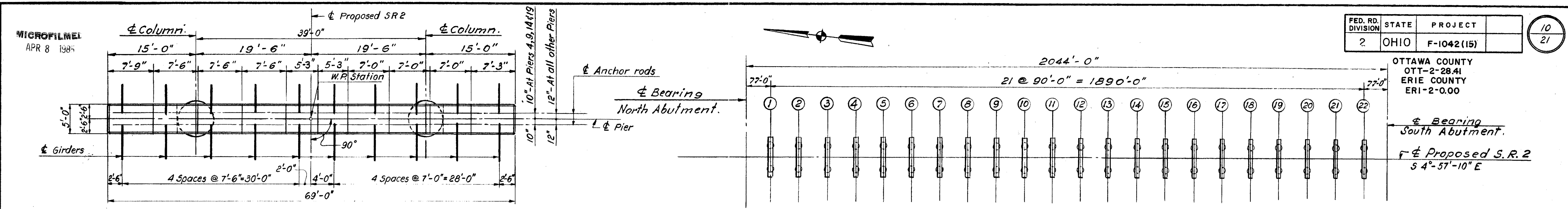
Notes:
 For General Notes see Sheets No. 3 and 4
 For General Plan and Elevation see Sheet No. 2
 For Wingwall details see Sheet No. 3
 For Bearing shoe details see Sheet No. 18
 For Framing Plan see Sheet No. 12
 For Bar Schedule see Sheet No. 7
 N.F. denotes Near Face
 F.F. denotes Far Face
 E.F. denotes Each Face
 All piles are 12 BP53 Steel Piles.
 Maximum design Pile Load 45 Tons
 I- denotes vertical pile
 T- denotes batter pile

SANDUSKY BAY BRIDGE
 BR. No. OTT-2-2904
 OTTAWA COUNTY & ERIE COUNTY
 ABUTMENT DETAILS

E. LIONEL PAVLO
 CONSULTING ENGINEER
 NEW YORK, N.Y.

DESIGNED BY:	DRAWN BY:	CHECKED BY:	REVIEWED:	DATE:
G.T.	A.B.	N.I.	S.L.P.	12/19/68

MICROFILM
APR 8 1985



STATION (Ottawa County)	ELEVATIONS									DIMENSIONS			BAR MARKS		NUMBER OF TIES			
	A	B	C	D	E	F	G	H	I	h	a	b	c	Bars "M"	Bars "N"	"n ₁ "	"n ₂ "	
1	107+75	514.50	598.24	598.36	598.48	598.60	598.68	598.57	598.46	598.35	6'-0"	60'-6"	20'-8 1/2"	81'-2 7/8"	P1107	P1117	9	40
2	108+65	517.00	600.95	601.07	601.19	601.30	601.39	601.28	601.17	601.06	6'-0"	58'-0"	23'-5 3/8"	81'-3 3/8"	P1108	P1118	11	39
3	109+55	520.00	603.34	603.46	603.58	603.70	603.78	603.67	603.56	603.45	6'-0"	55'-0"	25'-10 1/8"	80'-10 1/8"	P1109	P1114	12	37
4	110+45	523.00	605.60	605.72	605.84	605.96	606.04	605.93	605.82	605.71	7'-0"	53'-0"	28'-1 1/4"	81'-1 1/4"	P1110	P1122	14	35
5	111+35	522.00	607.40	607.52	607.64	607.75	607.84	607.73	607.62	607.51	7'-0"	54'-0"	29'-10 3/8"	83'-10 3/8"	P1125	P1113	15	36
6	112+25	521.50	609.06	609.18	609.30	609.42	609.50	609.39	609.28	609.17	7'-0"	54'-6"	31'-6 3/4"	86'-0 3/4"	P1128	P1120	16	36
7	113+15	520.00	610.42	610.53	610.65	610.77	610.86	610.75	610.64	610.53	8'-0"	57'-0"	32'-11"	88'-11"	P1112	P1119	17	38
8	114+05	520.00	611.46	611.58	611.69	611.81	611.90	611.79	611.68	611.57	8'-0"	57'-0"	33'-11 1/2"	90'-11 1/2"	P1120	P1119	18	38
9	114+95	522.00	612.37	612.48	612.60	612.72	612.80	612.69	612.59	612.48	8'-0"	55'-0"	34'-10 1/2"	89'-10 1/2"	P1115	P1114	18	37
10	115+85	523.50	612.82	612.93	613.05	613.17	613.25	613.14	613.03	612.93	8'-0"	53'-6"	35'-3 3/8"	88'-9 3/8"	P1127	P1121	19	36
11	116+75	525.00	613.13	613.25	613.36	613.48	613.57	613.46	613.35	613.24	10'-0"	54'-0"	35'-7 3/8"	89'-7 3/8"	P1116	P1113	19	36
12	117+65	528.00	613.13	613.25	613.36	613.48	613.57	613.46	613.35	613.24	10'-0"	51'-0"	35'-7 1/2"	86'-7 1/2"	P1116	P1111	19	34
13	118+55	526.50	612.82	612.93	613.05	613.17	613.25	613.14	613.03	612.93	8'-0"	50'-6"	35'-3 3/8"	85'-9 3/8"	P1127	P1125	19	34
14	119+45	525.00	612.37	612.48	612.60	612.72	612.80	612.69	612.59	612.48	8'-0"	52'-0"	34'-10 1/2"	86'-10 1/2"	P1115	P1124	18	35
15	120+35	524.00	611.46	611.58	611.69	611.81	611.90	611.79	611.68	611.57	8'-0"	53'-0"	33'-11 1/2"	86'-11 1/2"	P1120	P1122	18	35
16	121+25	524.00	610.42	610.53	610.65	610.77	610.86	610.75	610.64	610.53	8'-0"	53'-0"	32'-11"	85'-11"	P1112	P1122	17	35
17	122+15	524.50	609.06	609.18	609.30	609.42	609.50	609.39	609.28	609.17	8'-0"	52'-6"	31'-6 3/4"	84'-0 3/4"	P1128	P1123	16	35
18	123+05	524.50	607.40	607.52	607.64	607.75	607.84	607.73	607.62	607.51	8'-0"	52'-6"	29'-10 3/8"	82'-4 3/8"	P1125	P1123	15	35
19	123+95	525.00	605.60	605.72	605.84	605.96	606.04	605.93	605.82	605.71	8'-0"	52'-0"	28'-1 1/4"	80'-1 1/4"	P1110	P1124	14	35
20	124+85	526.00	603.34	603.46	603.58	603.70	603.78	603.67	603.56	603.45	8'-0"	51'-0"	25'-10 1/8"	76'-10 1/8"	P1109	P1111	12	34
21	125+75	527.50	600.95	601.07	601.19	601.30	601.39	601.28	601.17	601.06	8'-0"	49'-6"	23'-5 3/8"	72'-11 3/8"	P1108	P1126	11	33
22	126+65	528.50	598.24	598.36	598.48	598.60	598.68	598.57	598.46	598.35	8'-0"	48'-6"	20'-8 1/2"	69'-2 7/8"	P1107	P1103	9	32

Note: Elev. "F₁" is equal to Elev "F" + 3/8"

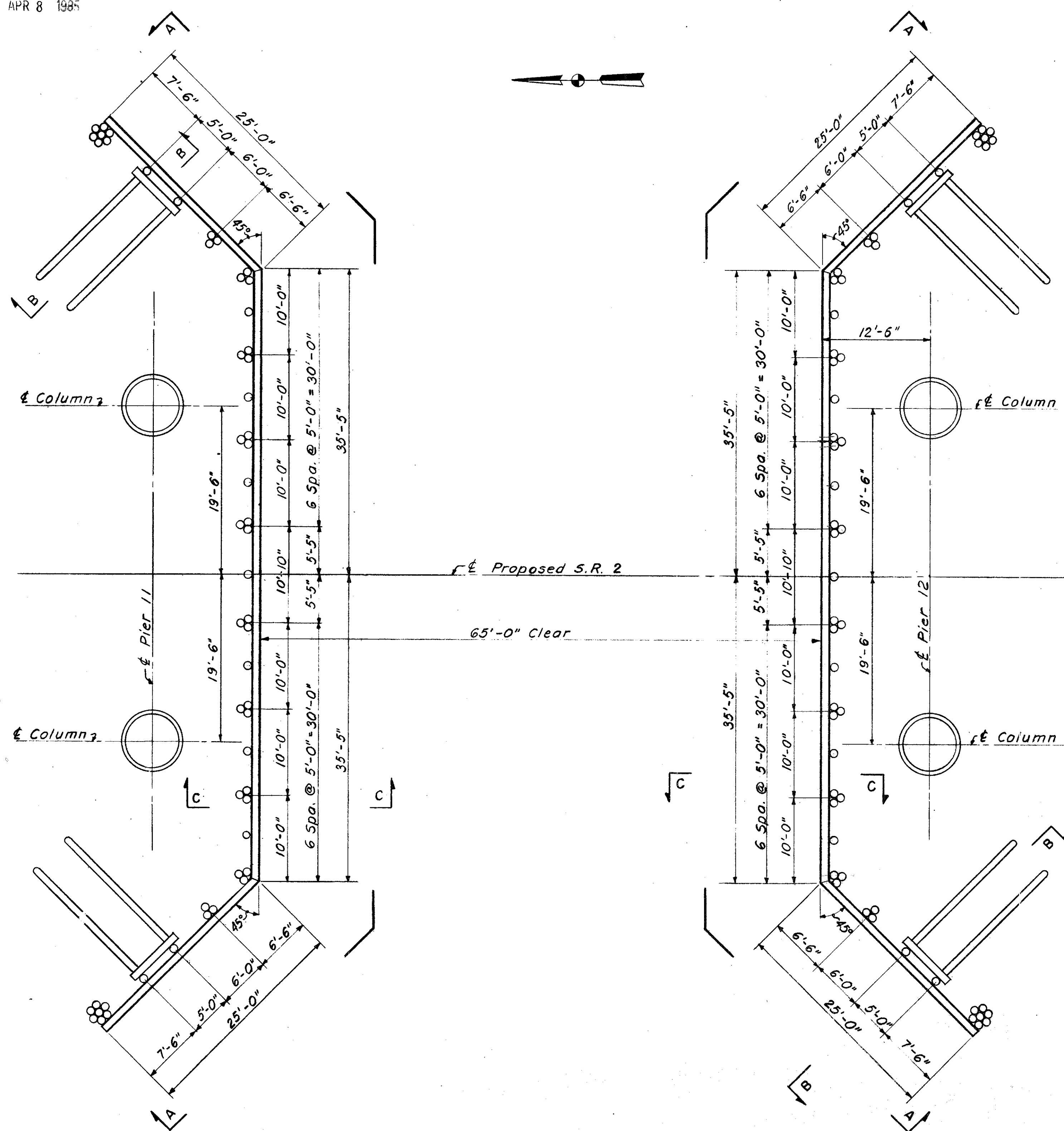
NOTES:
 For General Plan and Elevation see Sheet No. 2
 For General Notes see Sheets No. 3 and 4
 Special care shall be taken in placing reinforcing steel in the vicinity of the bridge seat, so as to avoid interference with the drilling of anchor bar holes.
 For Bearing shoe details see Sheet No. 18
 For Framing Plan see Sheet No. 12
 For electrical details see Sheets No. 20 and 21
 For Bar Schedule see Sheet No. 7
 (E.F.) - Denotes Each Face
 (P) - Denotes P of Pier.

SANDUSKY BAY BRIDGE
 BR. No. OTT-2-2904
OTTAWA COUNTY & ERIE COUNTY
PIER DETAILS

E. LIONEL PAVLO
 CONSULTING ENGINEER
 NEW YORK, N.Y.

DESIGNED BY:	DRAWN BY:	CHECKED BY:	REVIEWED DATE:
G.T.	M.S. & A.S.	N.I.	8/18/62

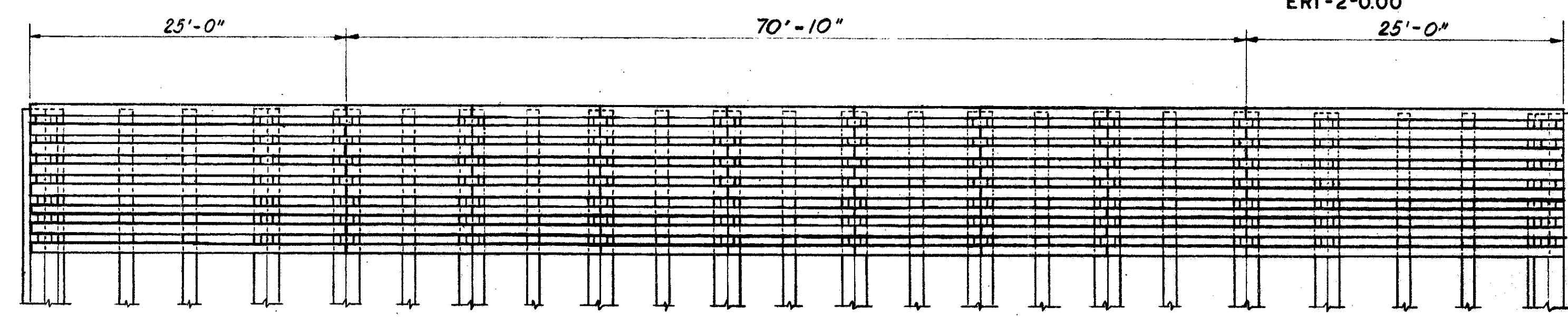
OTTAWA COUNTY
OTT-2-2841
ERIE COUNTY
ERI-2-0.00



PLAN

TIMBER PILES, if necessary to attain the required penetration, shall be supplied with steel driving points of an approved design. The cost of such points shall be included in the unit price bid for S-18, timber piles, crosoted. The tops of all fender piles, including those under the catwalk, shall be protected with pitch-saturated burlap and galvanized sheet iron in accordance with Sec. S-18.08.

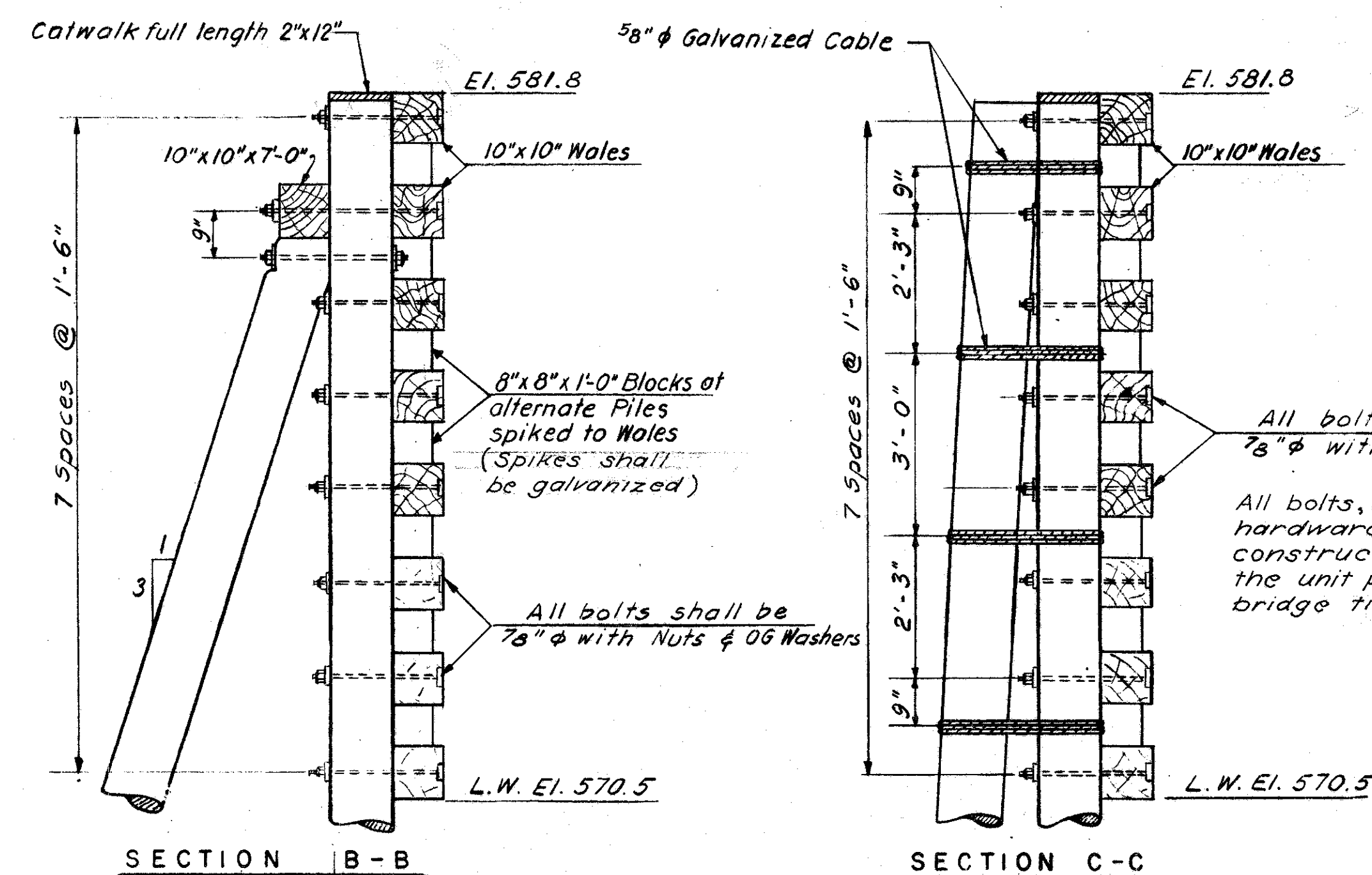
10x10 WALES shall be bolted to one pile in every pile-cluster and at every single pile. At clusters where wales are butt-jointed each abutting end shall be bolted to the pile-cluster. Butt-joints in wales shall occur only at clustered piles and in alternate wales at any specific intermediate pile-cluster.



ELEVATION A-A

2"x12" CATWALK shall be fastened to each pile-cluster and intermediate single piles with 2-1/2"x5" lag screws and Ogee washers. Butt joints shall occur only at pile-clusters.

8"x8"x1'-0" SPACER BLOCKS shall be placed, between wales, at one pile of every pile-cluster and at each single pile of the four wing fenders. Where butt-joints occur in the wales, a spacer block shall be provided under each of the abutting ends.



SECTION B-B

SECTION C-C

Galvanized Cable (5/8" φ, 6x19) shall be of the wire-core type and shall meet the material specifications as set forth in Sec. M-10.32. After the piles are drawn together, the cable shall be securely fastened with malleable-iron two-cable clamps. Two such clamps shall be used for each band (3 turns) of cable; one to secure the top and middle turns, and one to secure the bottom and middle turns to each other. Payment for cable and clamps shall be included in the unit price bid for Item S-18, timber piles, crosoted.

6 Outside Piles to be equally spaced on 6'-0" circle and drawn together at top with minimum 3 turns of 6x19 - 5/8" φ Galvanized cable at El. 571.67; El. 574.67; El. 577.67 and El. 580.67.

DETAIL OF 7-PILE CLUSTER

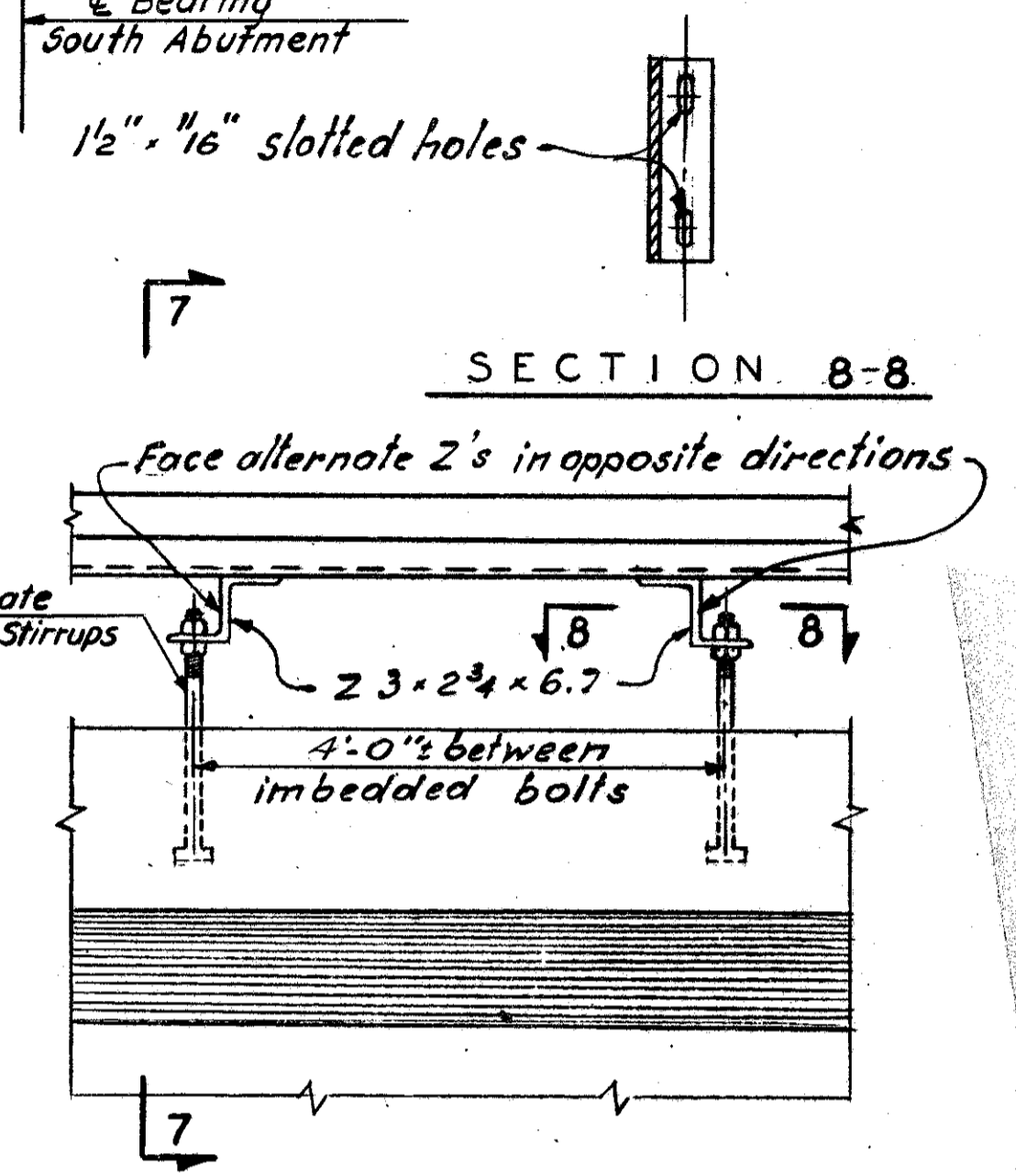
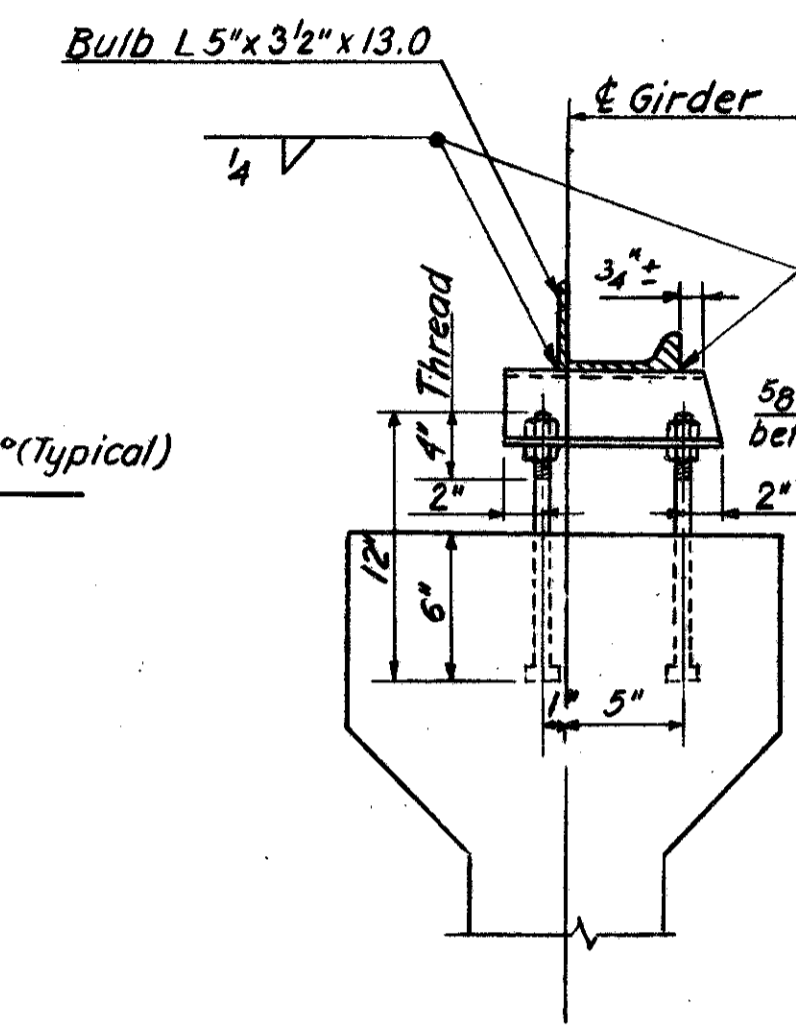
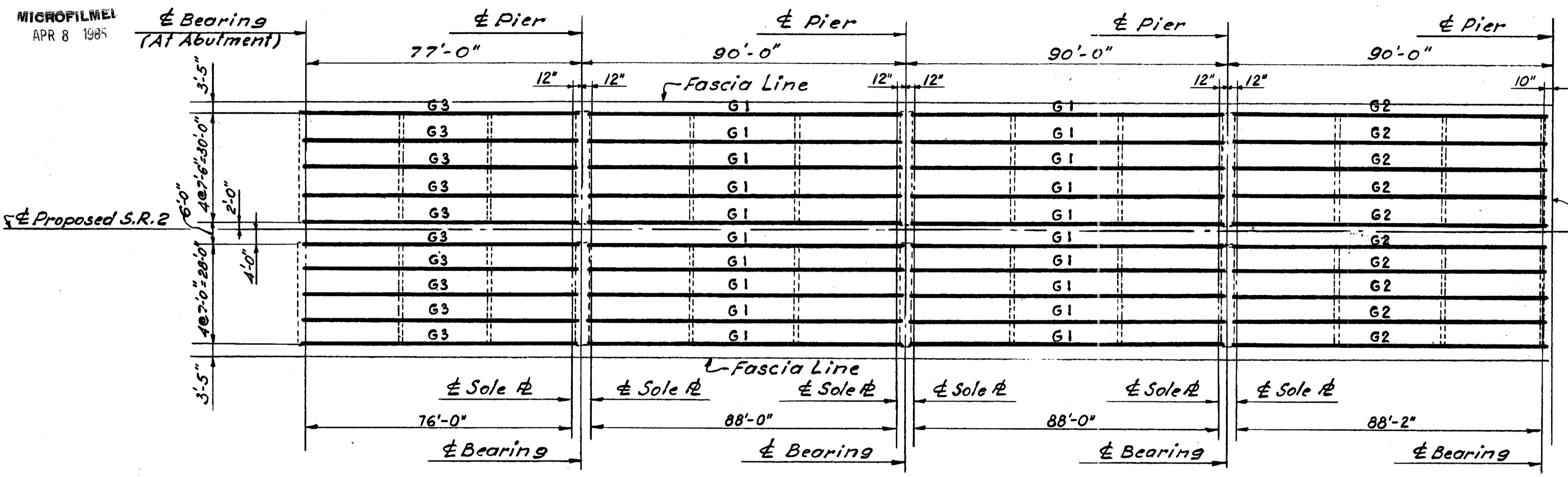
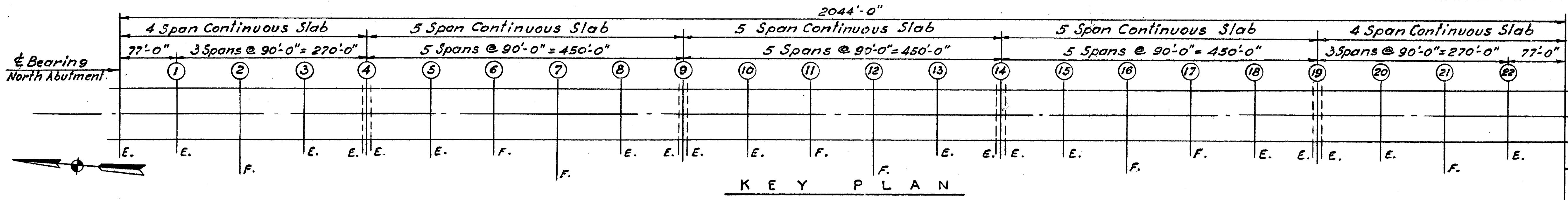
DETAIL OF 3-PILE CLUSTER

Drive Piles on 3'-0" Centers and draw together at top with minimum 3 turns of 6x19 - 5/8" φ Galvanized cable at El. 571.67; El. 574.67; El. 577.67 and El. 580.67

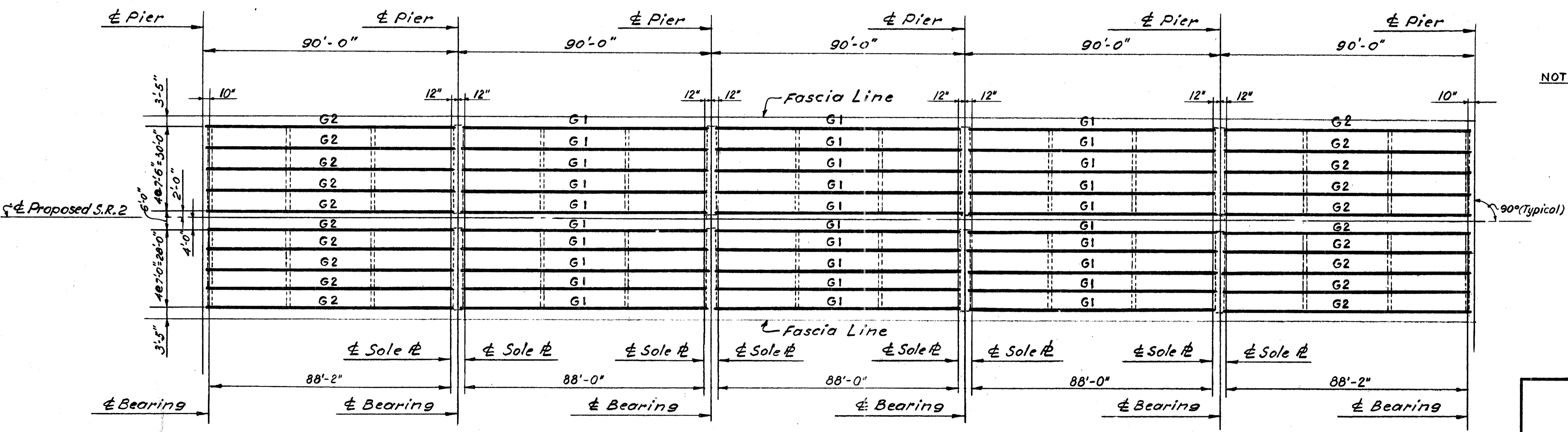
NOTES:
All timber shall be rough-sawn to full dimensions shown on the plans.
All Fender Piles shall be driven to a Minimum Elevation - 530.0
For General Plan and Elevation, See Sheet No. 2
For General Notes, See Sheets No. 3 and 4.
For Electrical details see Sheets No. 20 and 21.

SANDUSKY BAY BRIDGE			
BR. No. OTT-2-2904			
OTTAWA COUNTY & ERIE COUNTY			
FENDER DETAILS			
E. LIONEL PAVLO CONSULTING ENGINEER NEW YORK, N.Y.			
DESIGNED BY: G.T.	DRAWN BY: B. Ch.	CHECKED BY: N. I.	REVIEWED DATE: 12/14/62

OTTAWA COUNTY
OTT-2-2841
ERIE COUNTY
ERI-2-0.00



Gutters shall be accurately adjusted for alignment and grade with allowance for dead load deflection, before concrete is placed.
SUPPORT FOR BULB ANGLE GUTTER
(For Materials, See General Notes)

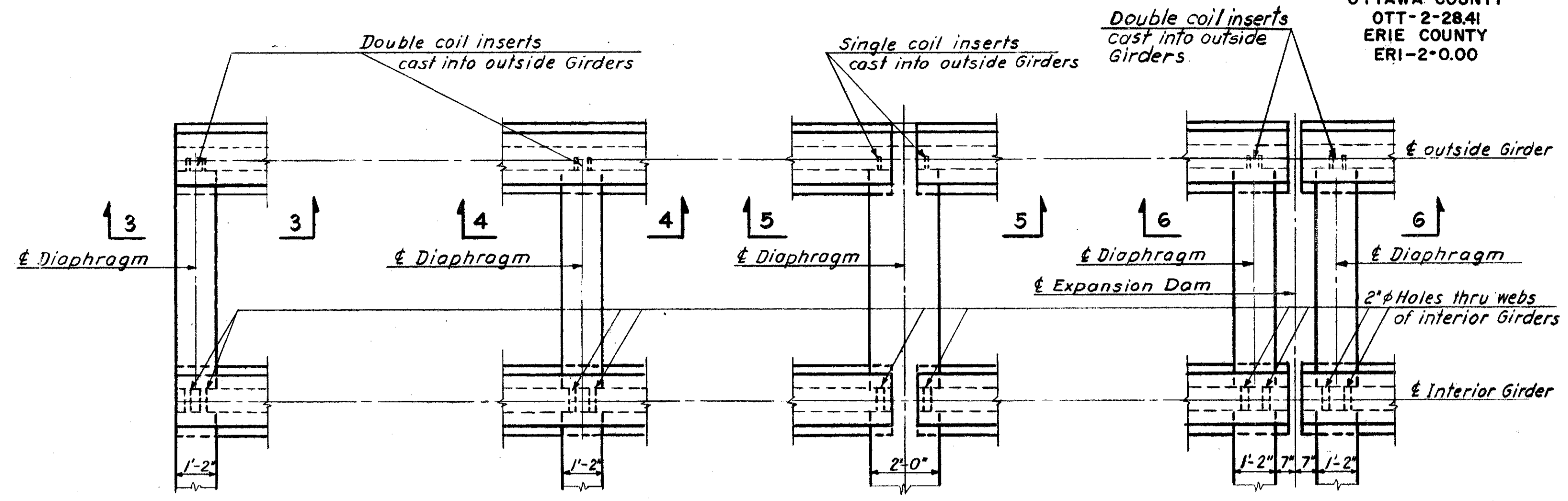
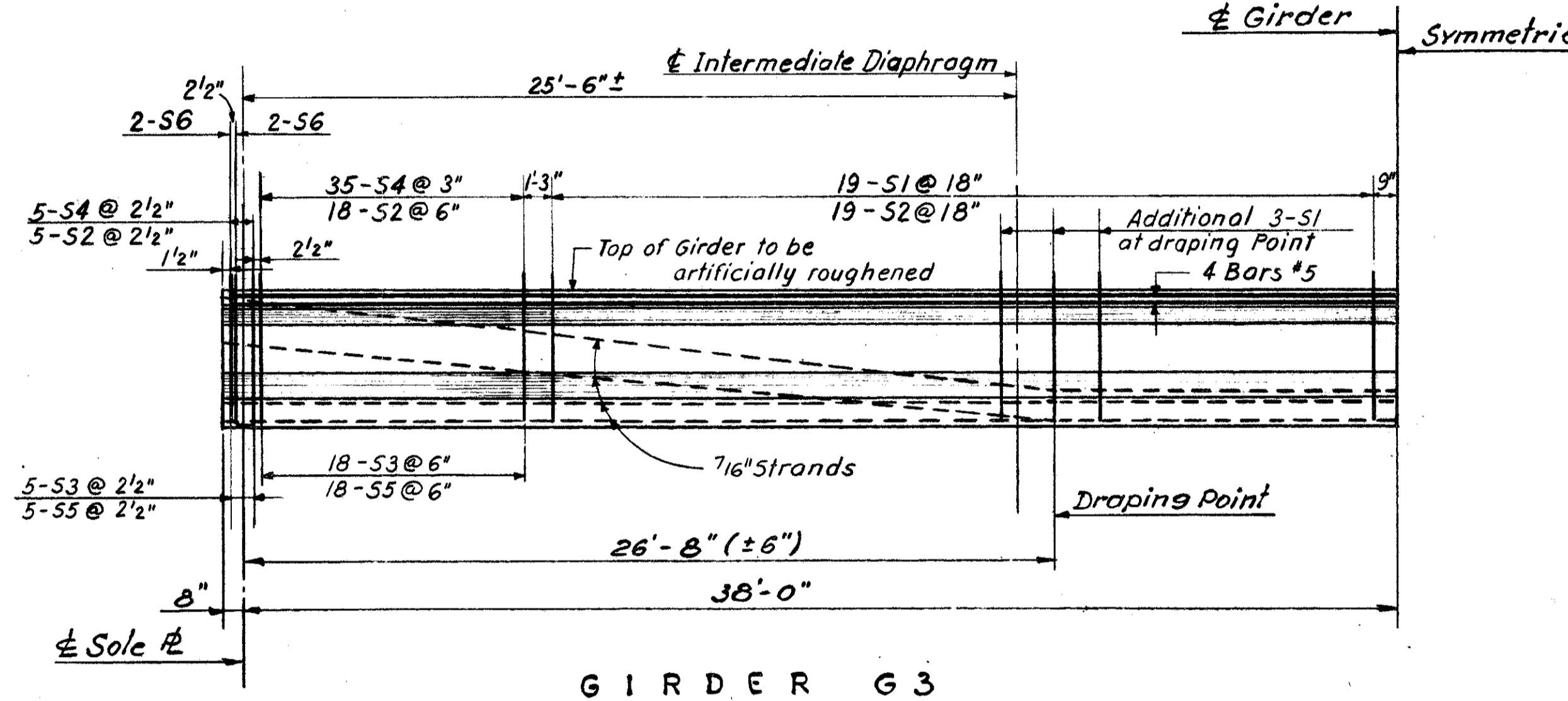
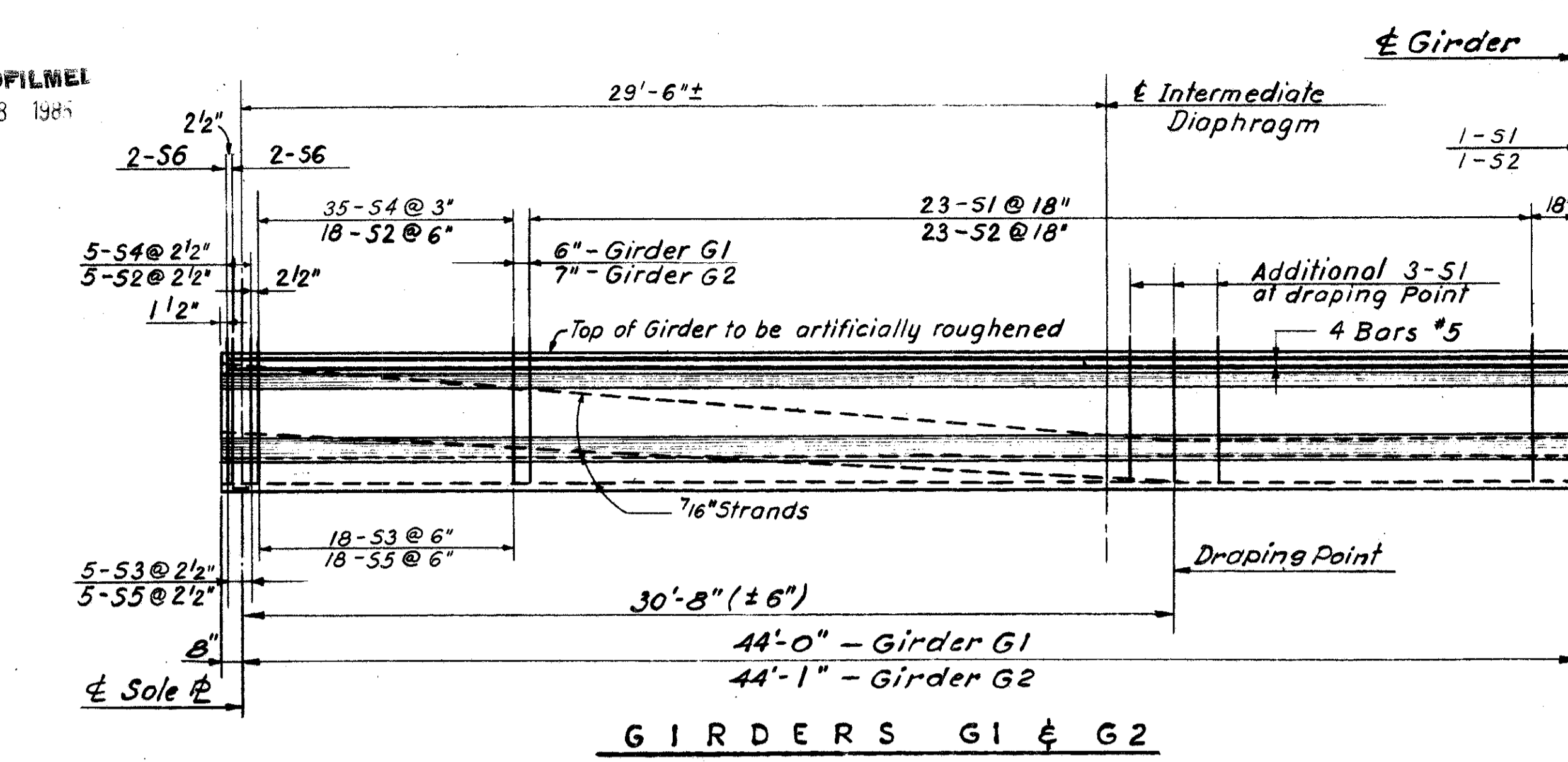


NOTES:
For General Notes see Sheets No. 3 and 4
For Bridge Cross-Section see Sheet No. 14
For Girder Details see Sheet No. 13
For Bearing Shoes see Sheet No. 18
"E" denotes Expansion Bearing
"F" denotes Fixed Bearing
⊕ denotes E of Pier

SANDUSKY BAY BRIDGE			
BR. No. OTT-2-2904			
OTTAWA COUNTY & ERIE COUNTY			
FRAMING PLAN			
E. LIONEL PAVLO CONSULTING ENGINEER. NEW YORK, N.Y.			
DESIGNED BY G.T.	DRAWN BY M.S.	CHECKED BY T.S.S.	REVIEWED DATE 8/17/12/14/62

MICROFILMED
APR 8 1985

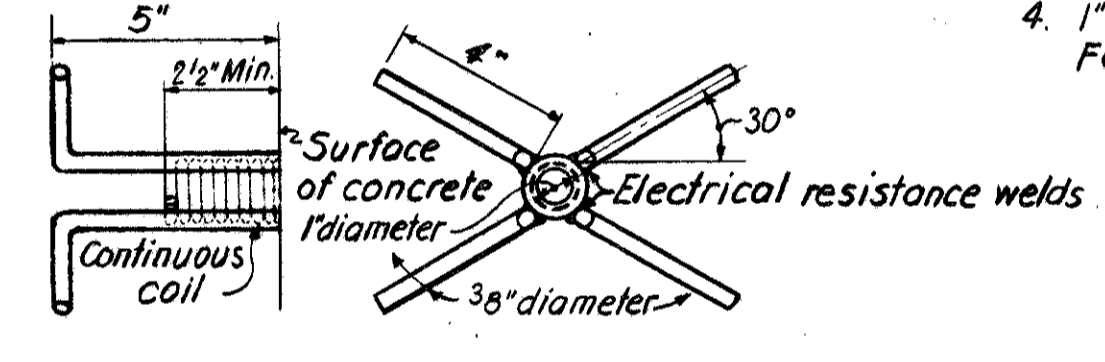
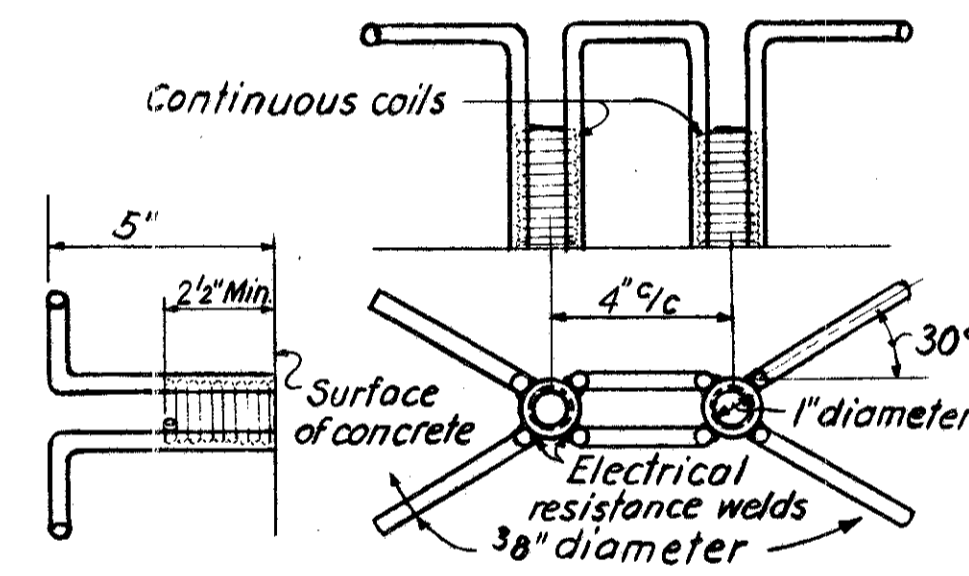
OTTAWA COUNTY
OTT-2-2841
ERIE COUNTY
ERI-2-0.00



PART PLAN OF DIAPHRAGMS

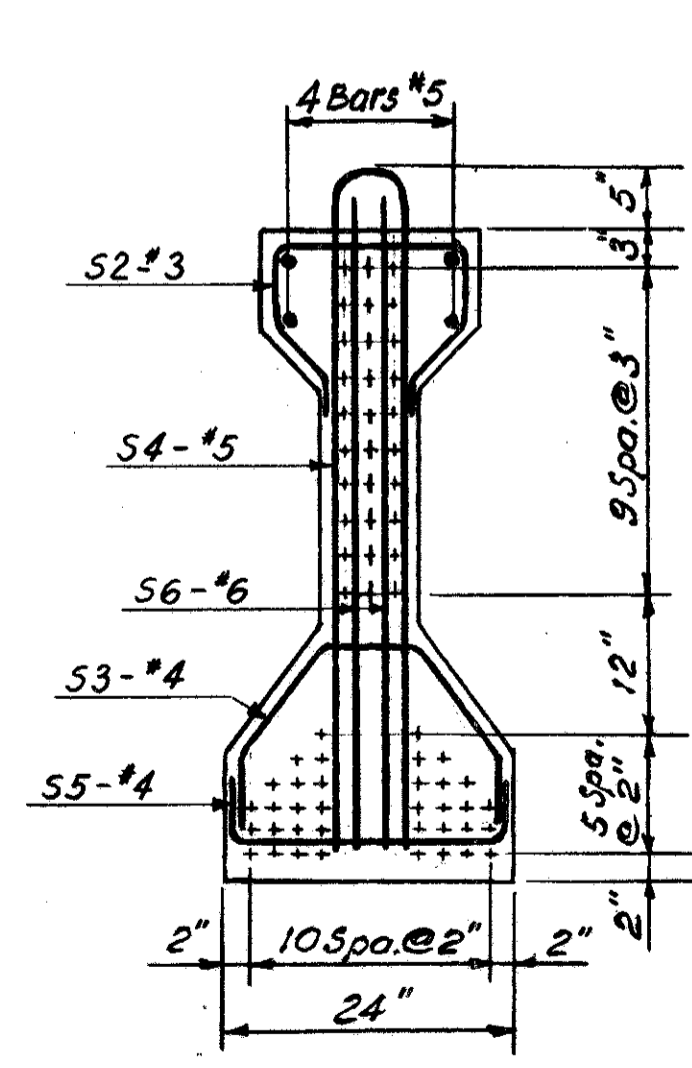
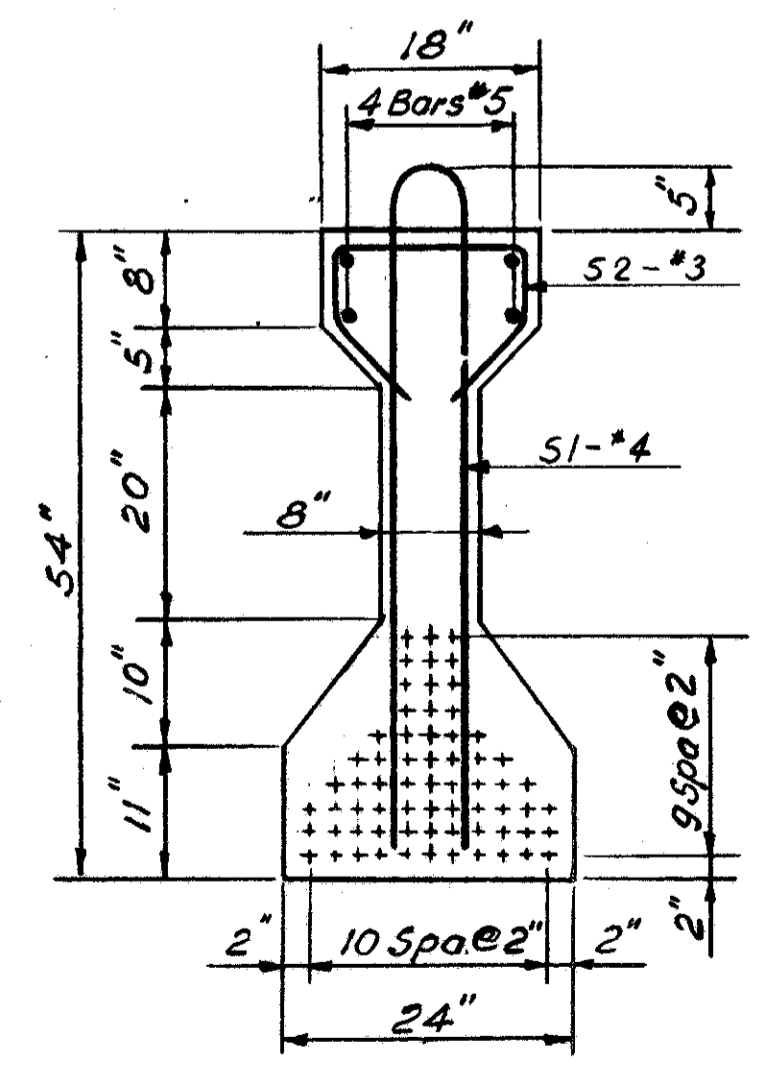
ADDITIONAL ELEMENTS IMBEDDED IN GIRDERS

- 7/8" φ Bolts for connection of expansion dams at Piers
For details see Sheet No. 19
- 3/8" φ Bolts for connection of Bulb Angles at Fascia Girders
For details see Sheet No. 12
- 5/8" φ Bolts for connection of Scuppers
For details see Sheet No. 18
- 1" Plates for connection of Bearings
For details see Sheet No. 18

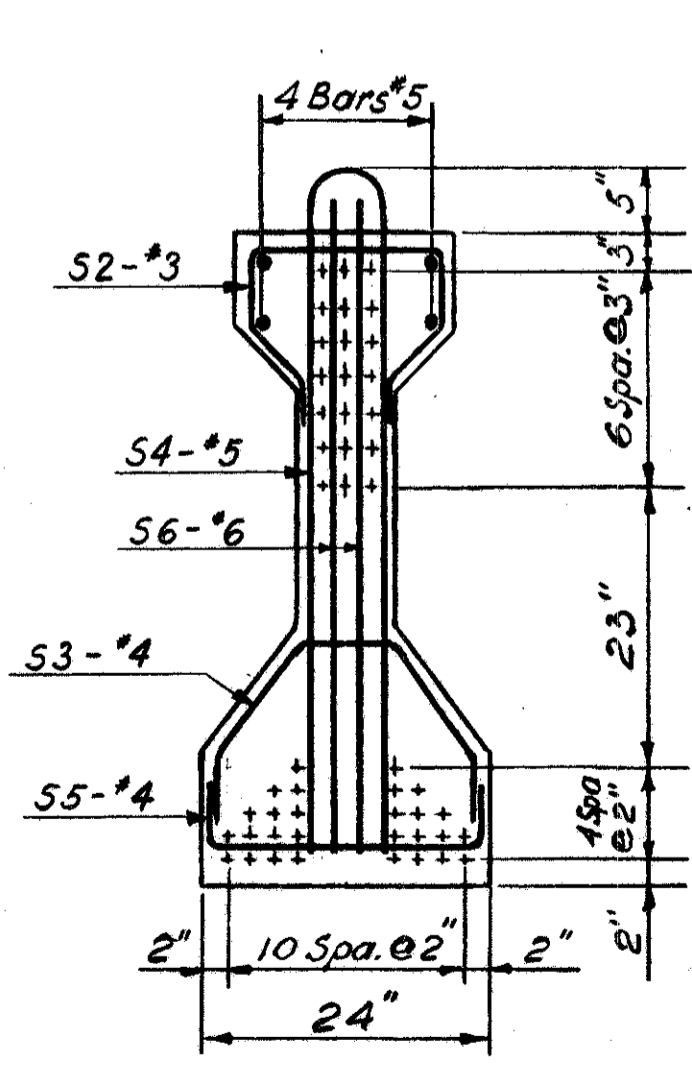
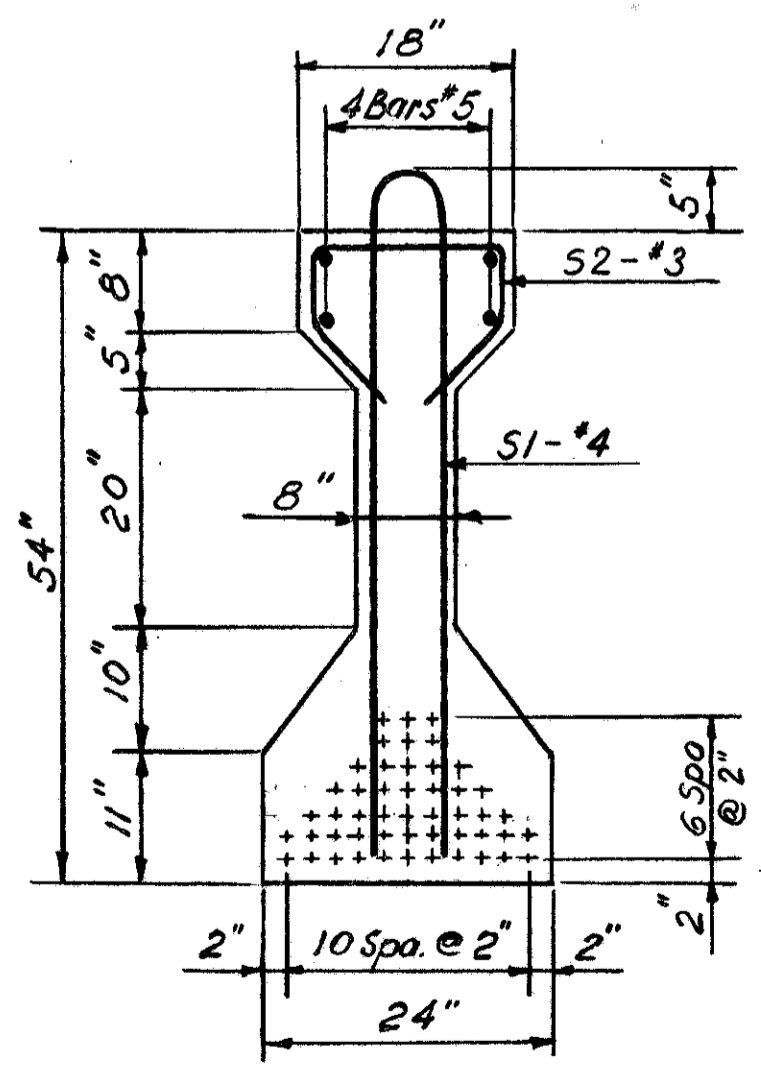


NOTES:

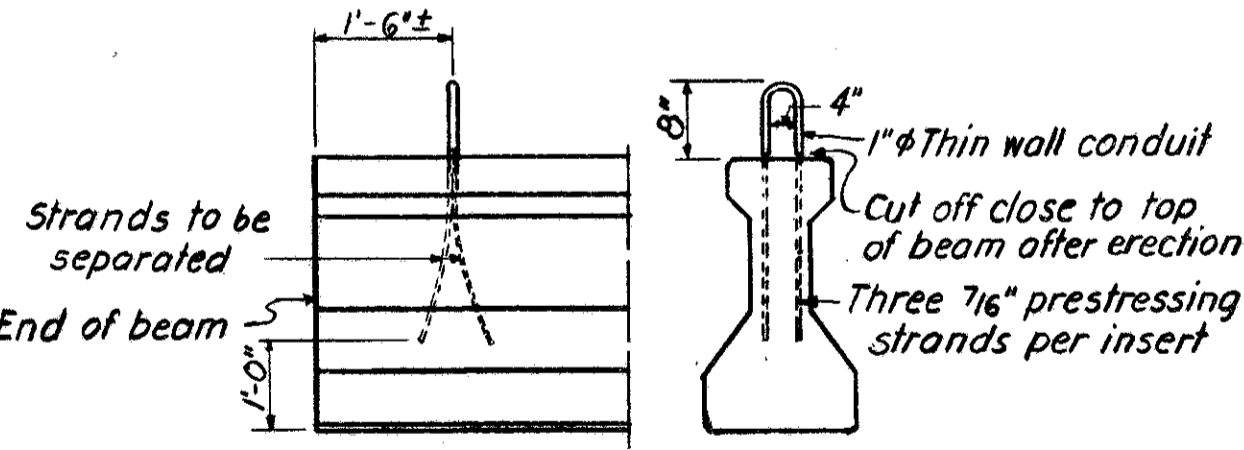
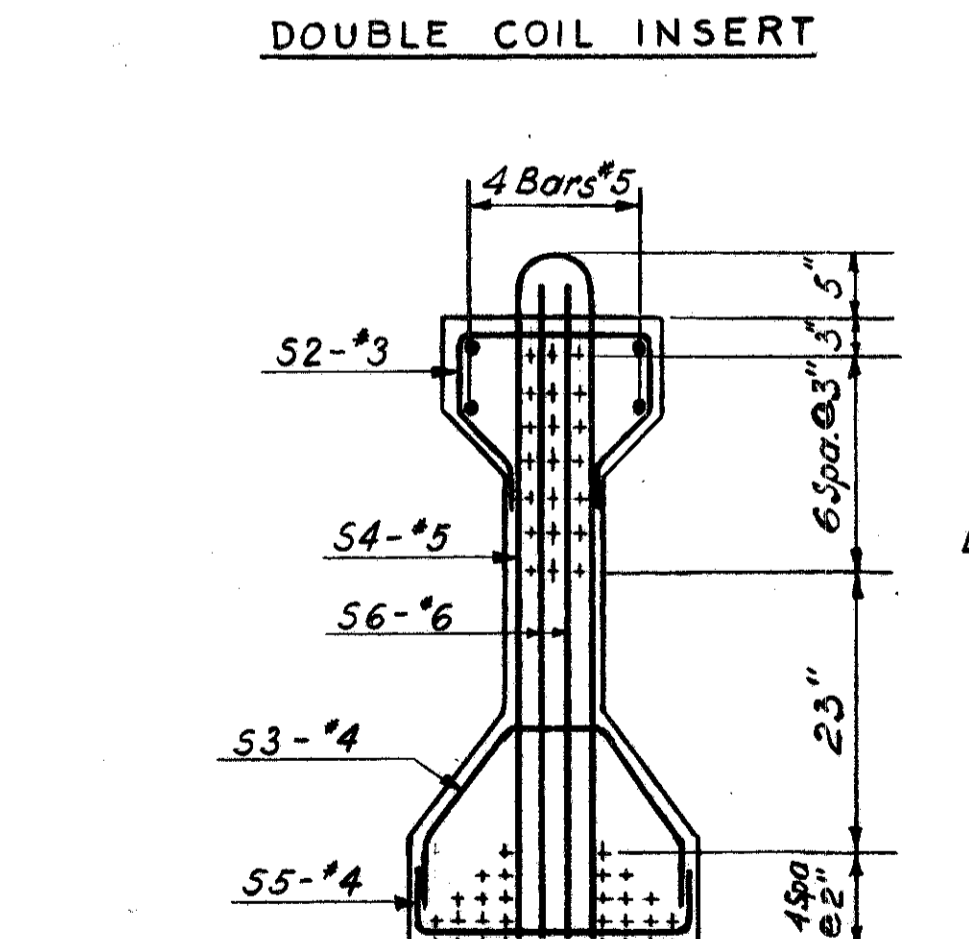
Min. concrete strength at 28 days = 5,500 psi.
Min. concrete strength at release of prestress = 4,000 psi.
Prestressing strands are 7/16" uncoated seven wire stress-relieved strand with an initial tension of 18,900 pounds per strand.
The total loss of prestress is assumed to be 20% of the initial stress.
Loss of prestress at release is assumed to be 8% of the initial stress.
 $E_{slab} = 0.84$
Location of holes and inserts shall be adjusted as necessary to avoid interference with reinforcement. Special caution should be used when prestressing strands are draped.
Vertical location of holes and inserts in adjacent Girders shall be approximately the same to facilitate lapping of #8 bars and 1" dowels.
For Section 3-3 and 4-4 see Sheet No. 15
For Section 5-5 and 6-6 see Sheet No. 17
For Typical Bridge Cross-Section see Sheet No. 14
For Framing Plan see Sheet No. 12
For Location of scuppers see Sheets No. 15 to 17
Payment for 1" dowels 2'-0" long threaded into inserts at outside girders shall be included as part of contract unit price bid for Item 5-105 Prestressed concrete Bridge Members.



STRAND PATTERN FOR GIRDERS G1 & G2
(66 - 7/16" STRANDS PER GIRDER)



STRAND PATTERN FOR GIRDER G3
(49 - 7/16" STRANDS PER GIRDER)



NOTE: Lifting inserts of the Contractor's design may be used if approved by the Director.

CAMBER AND DEFLECTION

GIRDER	Δ ₁	Δ ₂
G1 & G2	1 1/4"	1 1/8"
G3	7/8"	5/8"

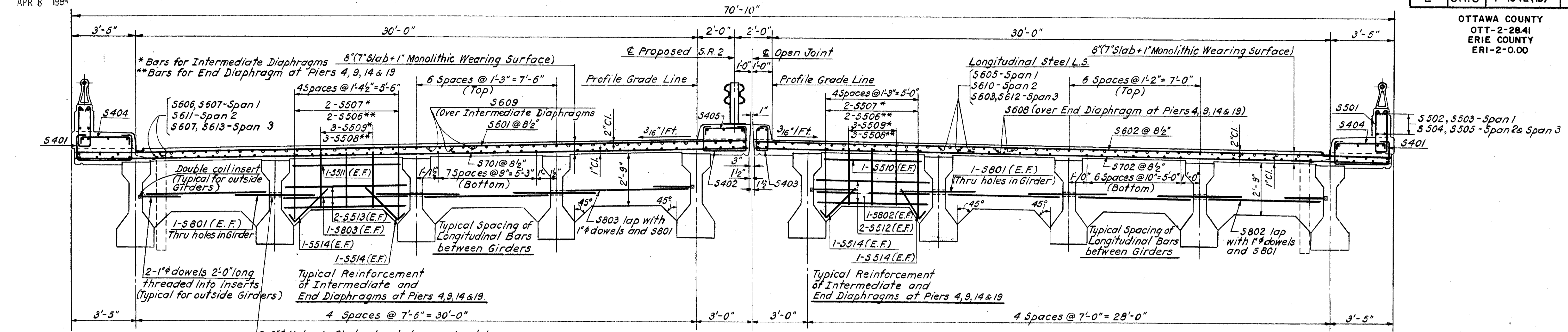
Δ₁ Camber at release of prestress computed with an assumed modulus of elasticity of 3,800,000 psi.
Δ₂ deflection due to dead load of Slab computed with an assumed modulus of elasticity of 4,550,000 psi.

SANDUSKY BAY BRIDGE
BR. No. OTT-2-2904
OTTAWA COUNTY & ERIE COUNTY
GIRDER DETAILS

E. LIONEL PAVLO
CONSULTING ENGINEER
NEW YORK, N.Y.

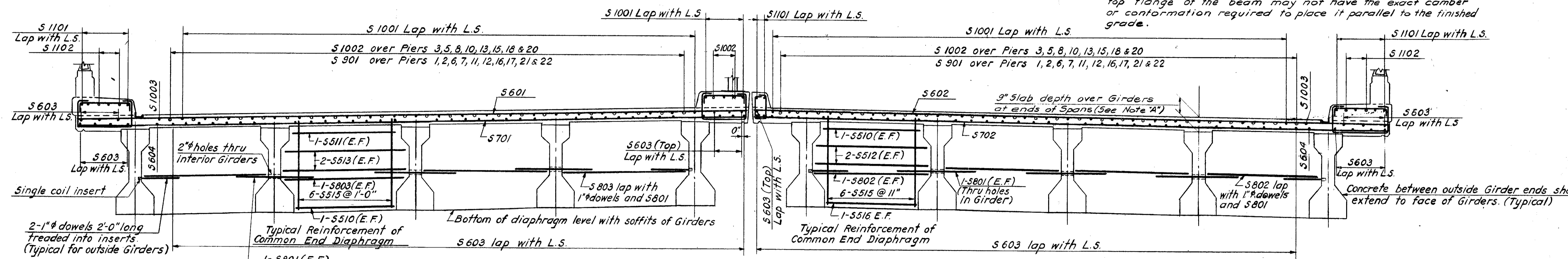
DESIGNED BY:	DRAWN BY:	CHECKED BY:	REVIEWED DATE:
G.T.	B. Ch.	N.I.	12/19/11

OTTAWA COUNTY
OTT-2-28.41
ERIE COUNTY
ERI-2-0.00

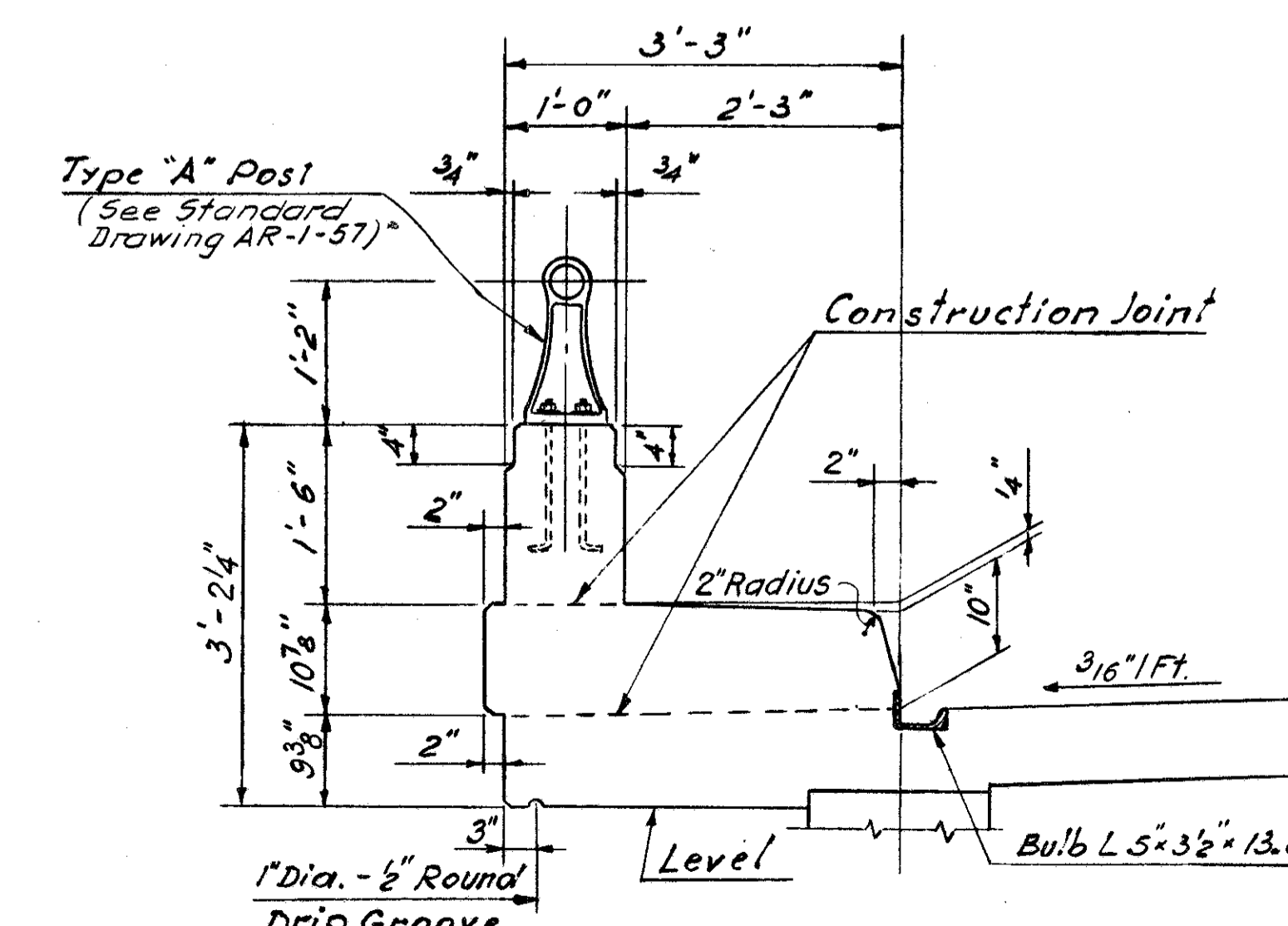


TYPICAL CROSS-SECTION BETWEEN BEARINGS

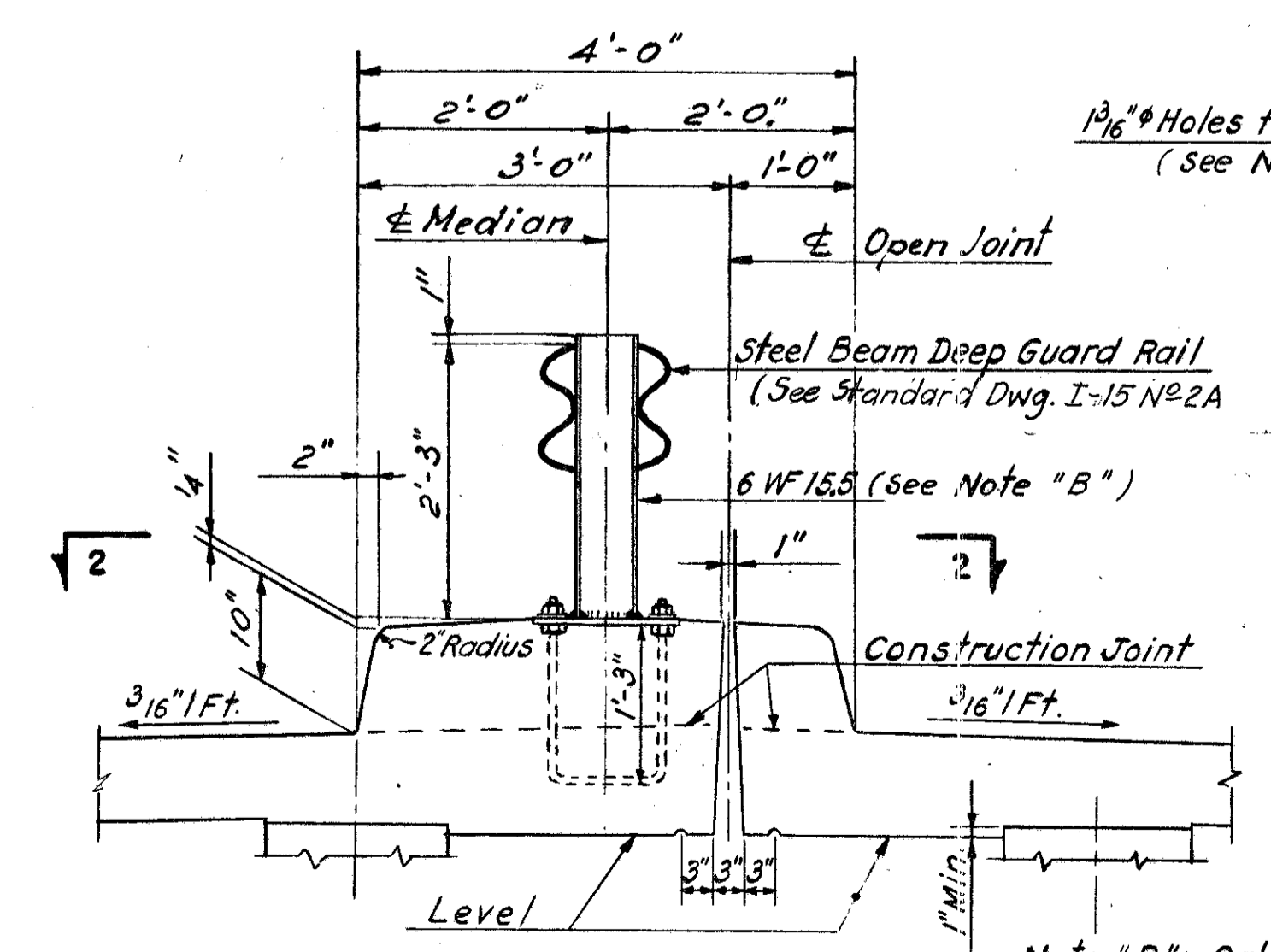
NOTE "A": This is the nominal dimension. The quantity of deck concrete to be paid for shall be based on this dimension, even though deviation from it may be necessary because the top flange of the beam may not have the exact camber or conformation required to place it parallel to the finished grade.



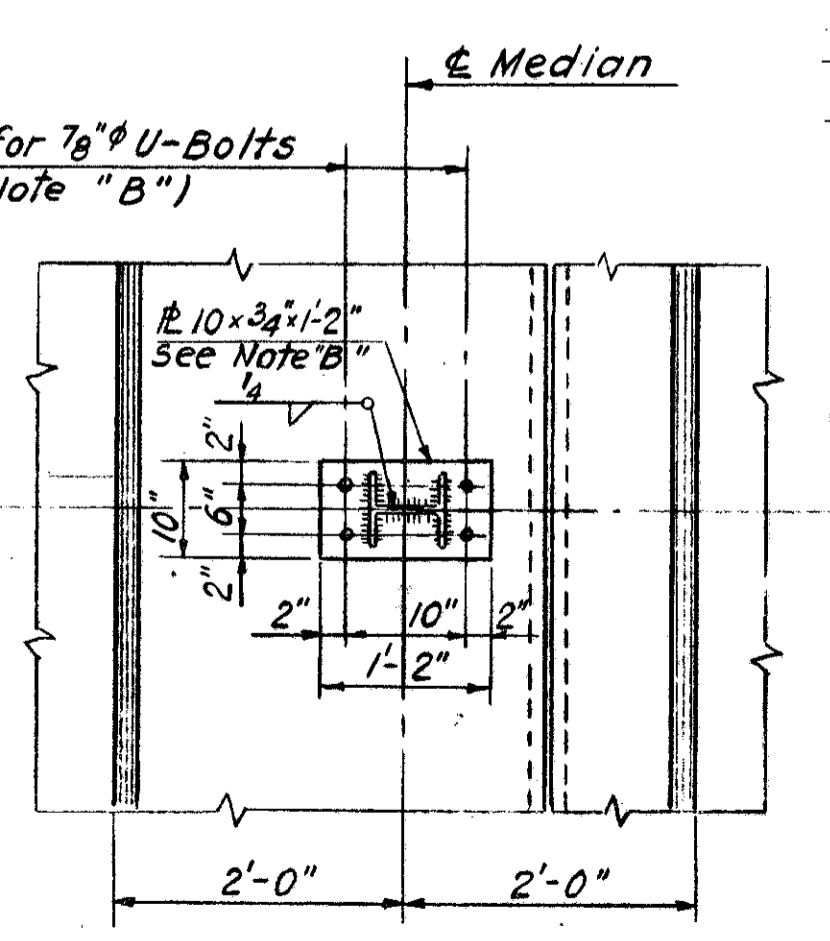
SECTION 1-1 (At Piers 1 to 3, 5 to 8, 10 to 13, 15 to 18 & 20 to 22)



PART SECTION FASCIA CURB DETAILS

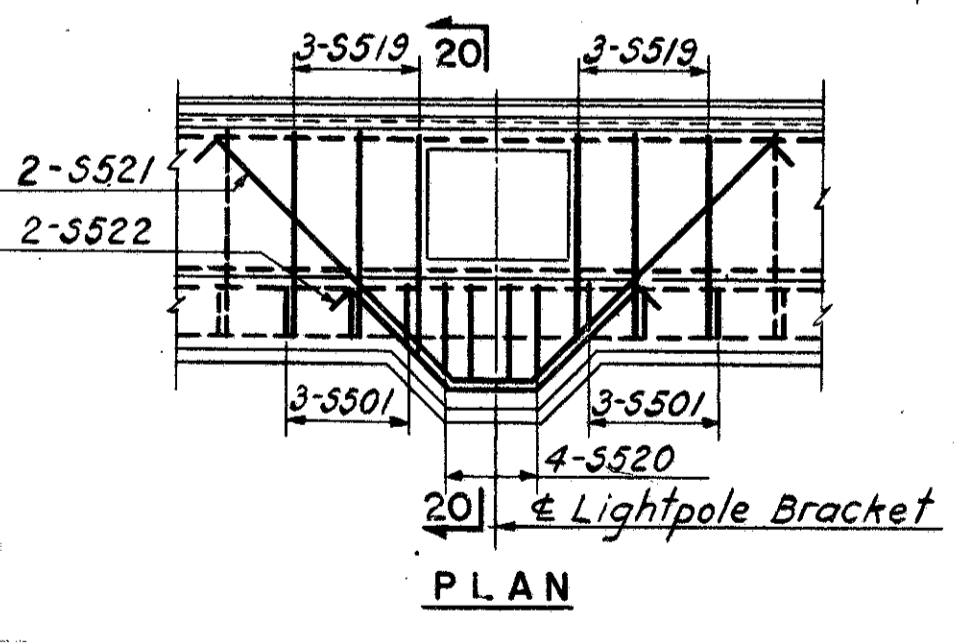


PART SECTION MEDIAN CURB DETAILS

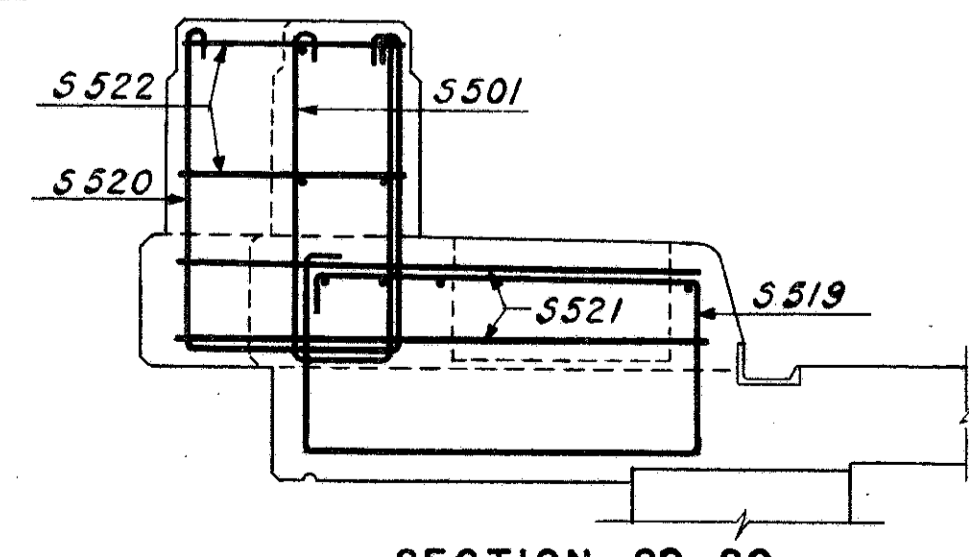


SECTION 2-2

Note "B": Galv. as per Sec. M-7.4 (d)



PLAN



SECTION 20-20
ADDITIONAL REINFORCEMENT FOR LIGHTPOLE BRACKET

Notes:
For General Notes see Sheets No. 3 and 4
L.S. means Typical Longitudinal Steel in Slab.
E.F. means Each Face.
For location of Railing Type "A" posts, see Sheets No. 15 to 17
For location of Guard Rail posts, see Key Plan, Sheet No. 15
For location of Section 1-1 see Sheets No. 15 to 17
For location of Lightpole Brackets see Sheet No. 20
For electrical details see Sheets No. 20 and 21
Payment for 1" diameter dowels 2'-0" long threaded into inserts at outside Girders shall be included as part of Contract unit price bid for Item "5-105" Prestressed Concrete Bridge Members".

SANDUSKY BAY BRIDGE BR. No. OTT-2-2904 OTTAWA COUNTY & ERIE COUNTY BRIDGE CROSS SECTIONS & DETAILS			
E. LIONEL PAVLO CONSULTING ENGINEER NEW YORK, N.Y.			
DESIGNED BY	DRAWN BY	CHECKED BY	REVIEWED DATE
G.T.	M.S. & A.B.	N.I.	11/19/62

MICROFILM
APR 8 1985

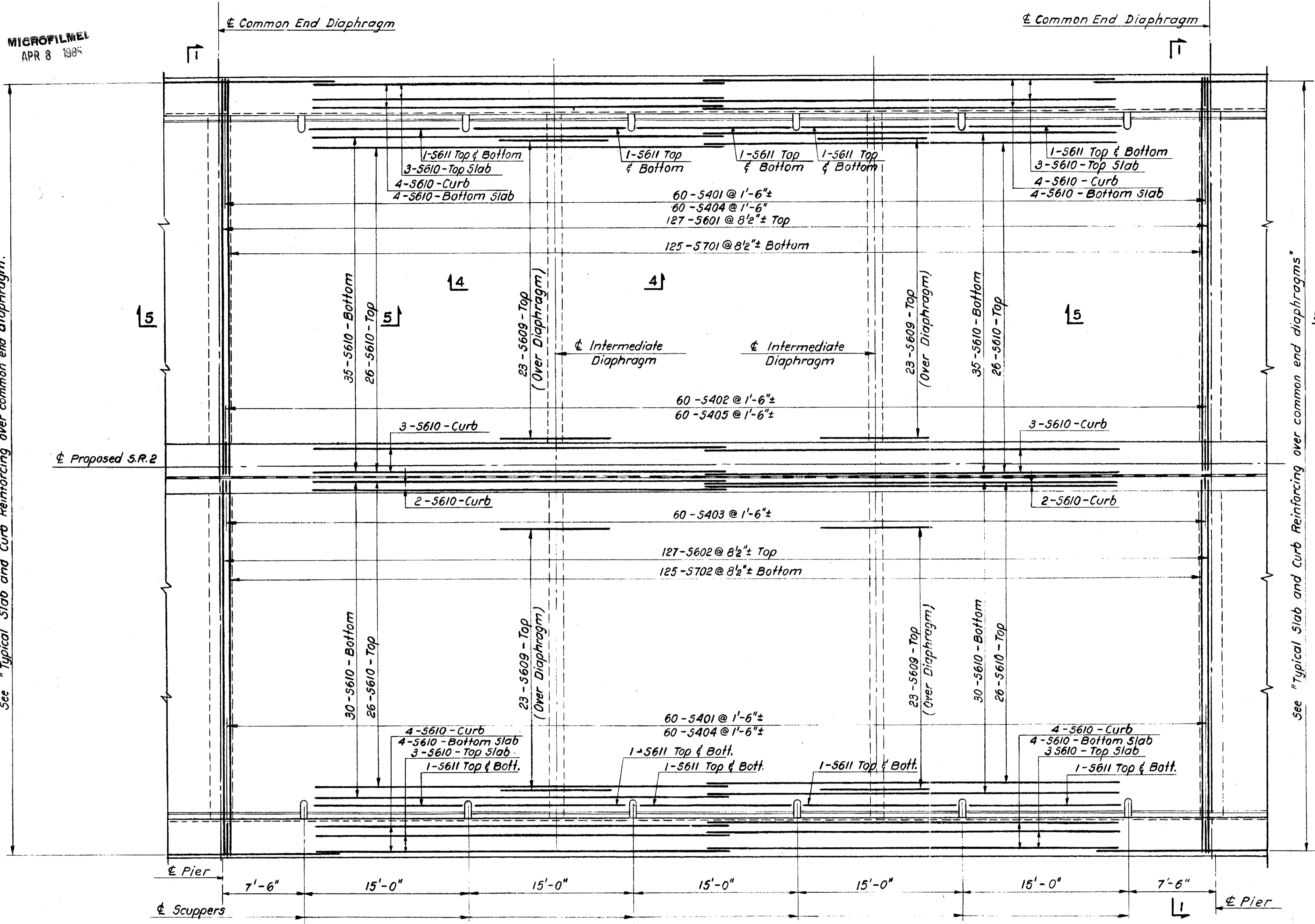
FED. RD. DIVISION	STATE	PROJECT
2	OHIO	F-1042 (15)

16
21

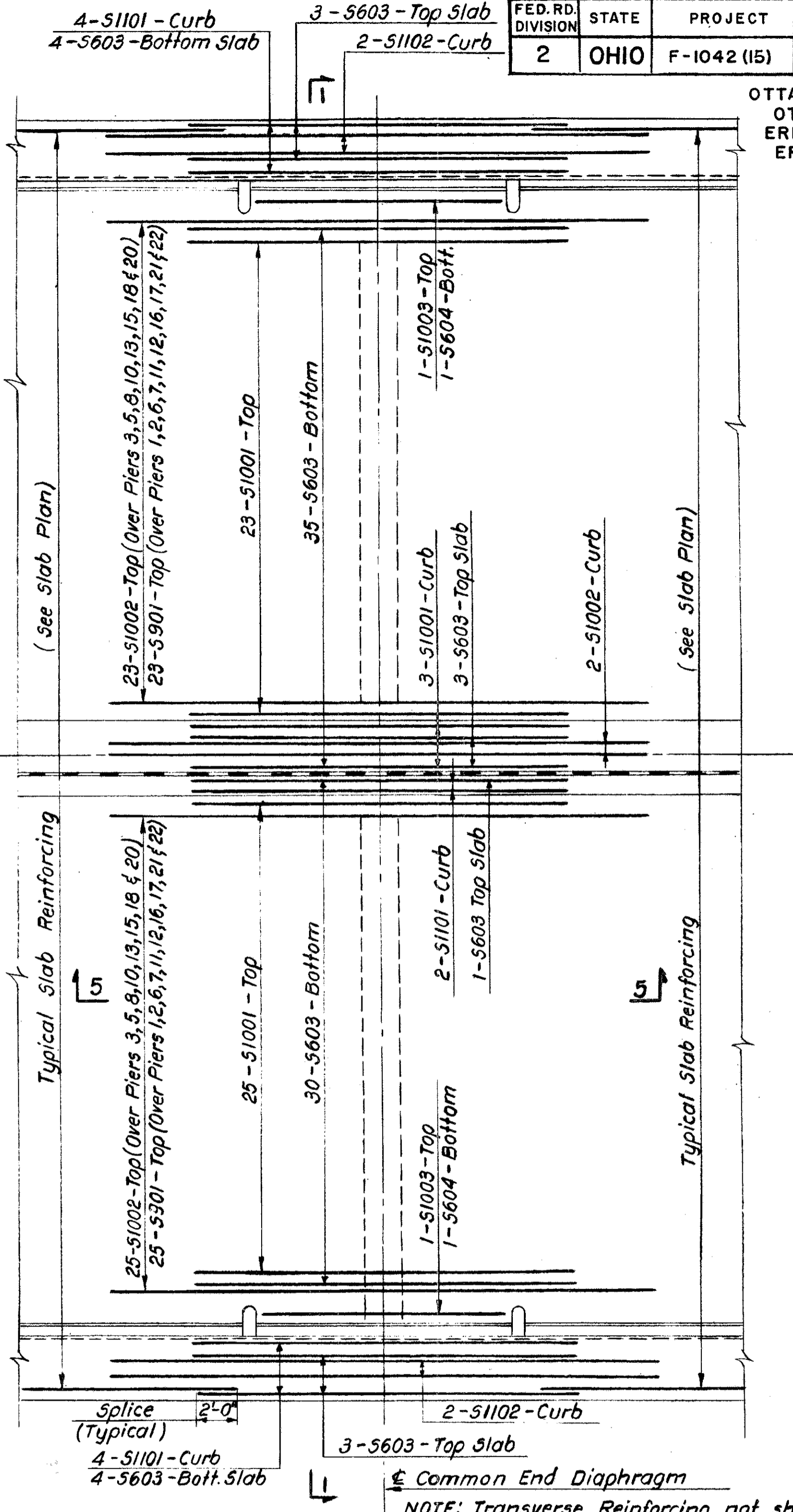
OTTAWA COUNTY
OTT-2-2841
ERIE COUNTY
ERI-2-0.00

See "Typical Slab and Curb Reinforcing over common end diaphragm."

See "Typical Slab and Curb Reinforcing over common end diaphragms"

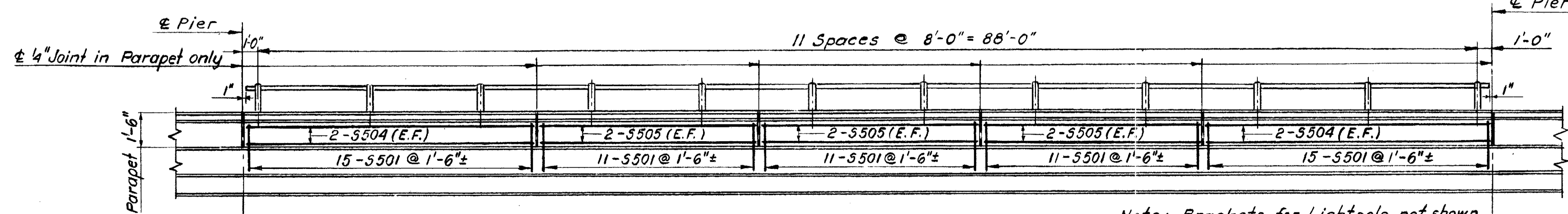


P L A N



TYPICAL SLAB AND CURB REINFORCING OVER COMMON END DIAPHRAGM

NOTE: Transverse Reinforcing not shown.



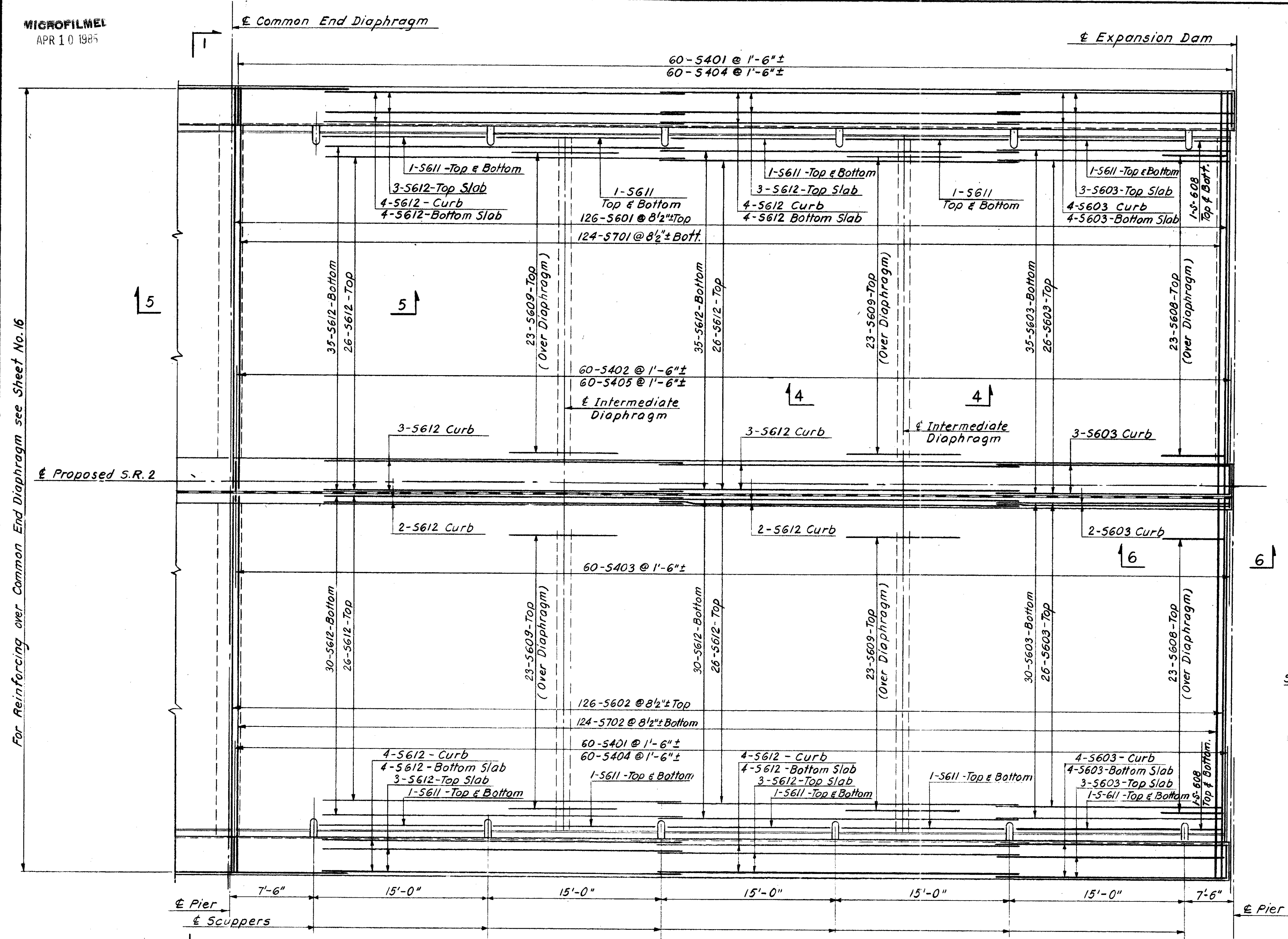
E L E V A T I O N

Note: Brackets for Lightpole not shown.

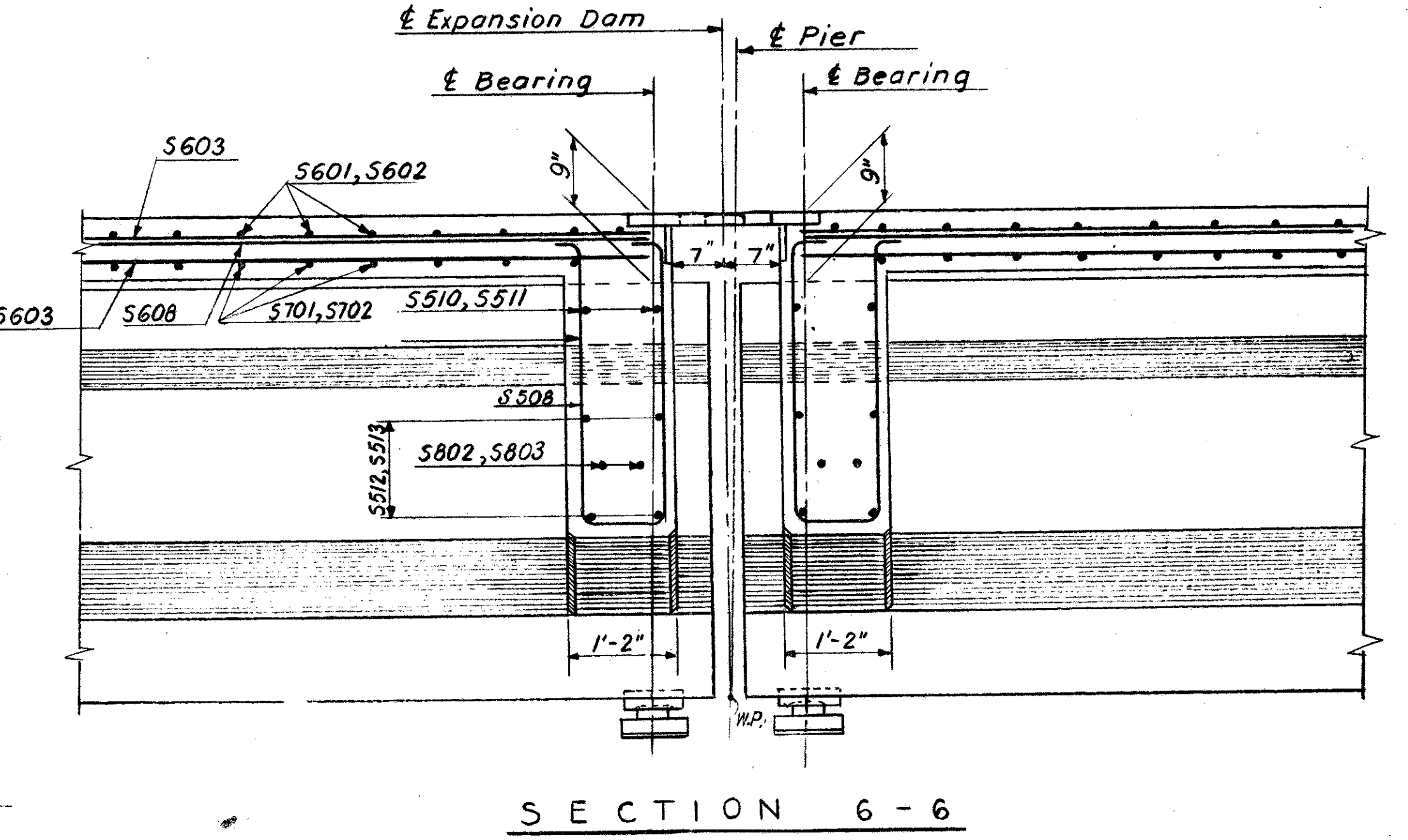
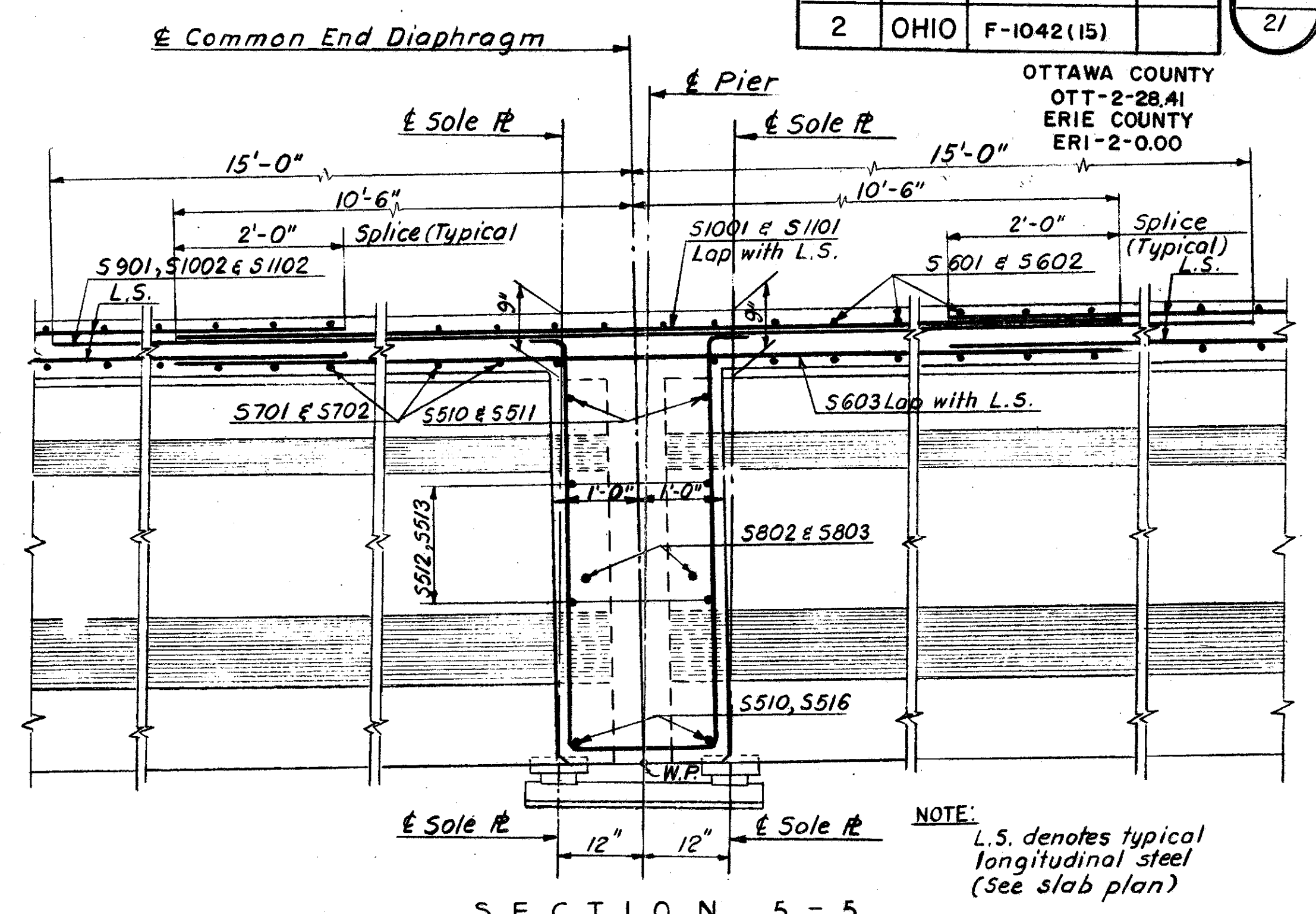
NOTES:

- For General Notes, see Sheets No. 3 and 4
- For Key Plan, see Sheet No. 15
- For Typical Cross Section, see Sheet No. 14
- For Section 1-1, see Sheet No. 14
- For Section 4-4, see Sheet No. 15
- For Section 5-5, see Sheet No. 17
- For Location of intermediate diaphragms, see Girder Details Sheet No. 13
- For Bar Schedule, see Sheet No. 7
- For Location of brackets for Lightpole, see Sheet No. 20
- For additional reinforcement for brackets, see Sheet No. 14

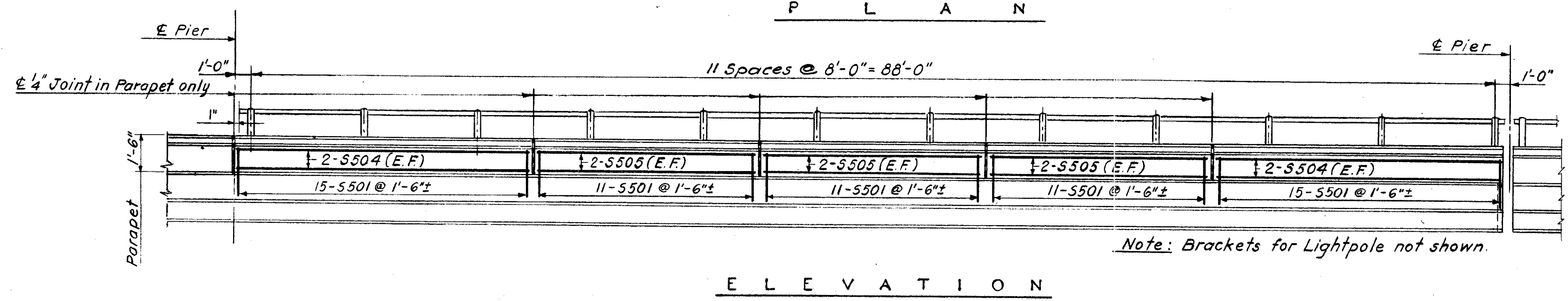
SANDUSKY BAY BRIDGE			
BR. No. OTT-2-2904			
OTTAWA COUNTY & ERIE COUNTY			
SLAB REINFORCING - SPAN 2			
E. LIONEL PAVLO CONSULTING ENGINEER NEW YORK, N.Y.			
DESIGNED BY:	DRAWN BY:	CHECKED BY:	REVIEWED DATE:
G. T.	A. S.	N. I.	S. L. V. 12/19/62



For Reinforcing over Common End Diaphragm see Sheet No. 16



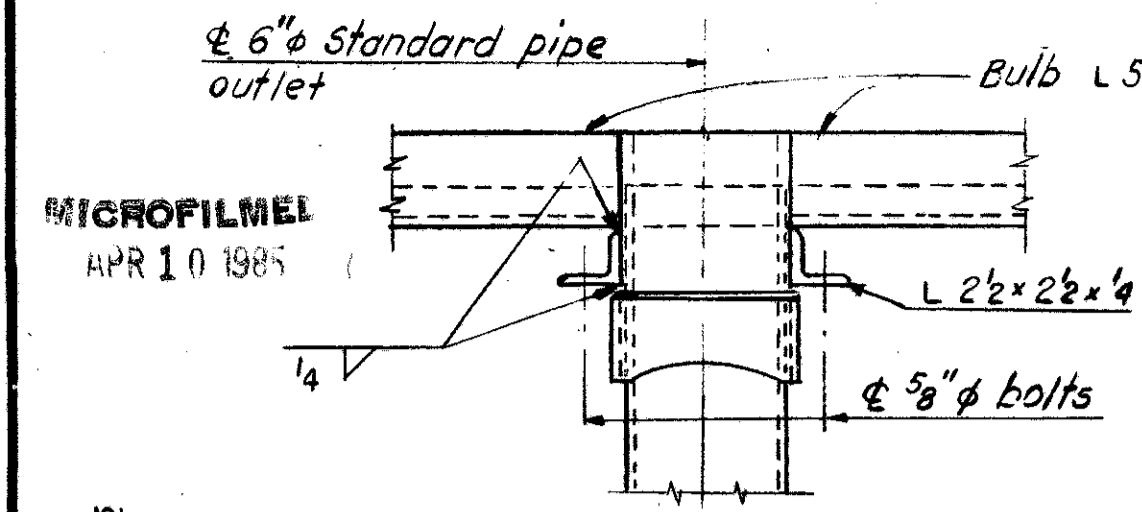
- NOTES:
- For General Notes, see Sheets No. 3 and 4
 - For Key Plan, see Sheet No. 15
 - For Typical Cross Section, see Sheet No. 14
 - For Section 1-1, see Sheet No. 14
 - For Section 4-4, see Sheet No. 15
 - For Location of intermediate diaphragms, see Girder details Sheet No. 13
 - For Bar Schedule, see Sheet No. 7
 - For Expansion Dam Details, see Sheet No. 13
 - For Location of Brackets for Lightpole, see Sheet No. 20
 - For additional reinforcement for brackets, see Sheet No. 14



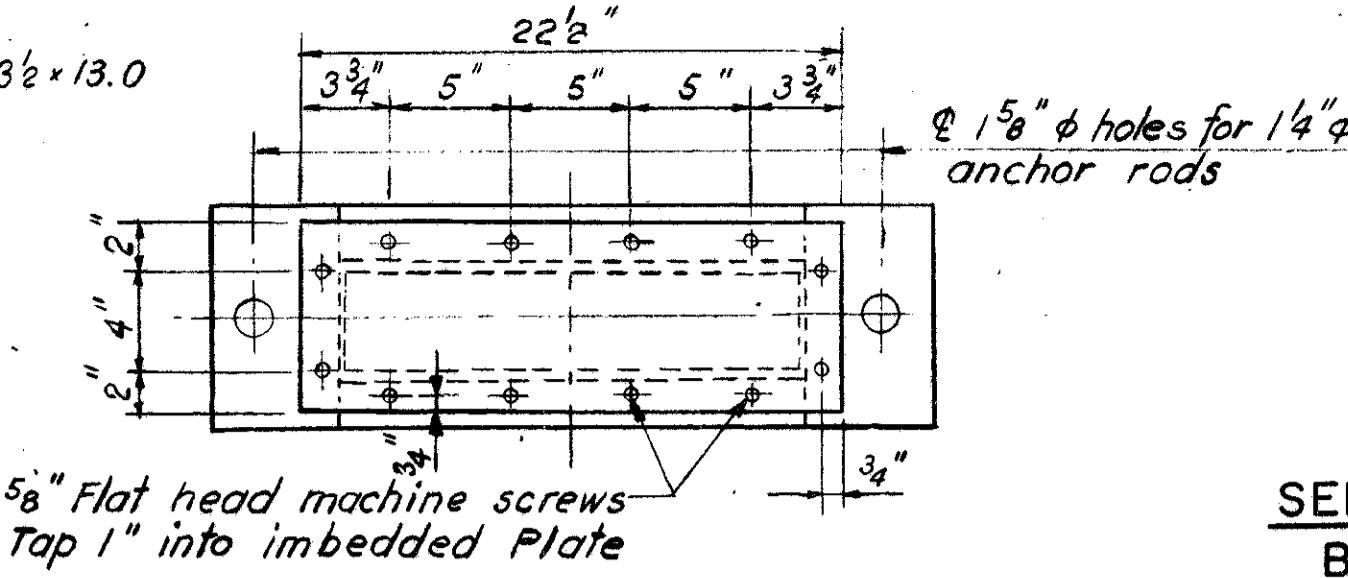
SANDUSKY BAY BRIDGE
BR. No. OTT-2-2904
OTTAWA COUNTY & ERIE COUNTY
SLAB REINFORCING - SPAN 3

E. LIONEL PAVLO CONSULTING ENGINEER NEW YORK, N.Y.			
DESIGNED BY:	DRAWN BY:	CHECKED BY:	REVIEWED DATE
G.T.	M.S. & B.CH.	N.I.	R.L.P. 12/14/62

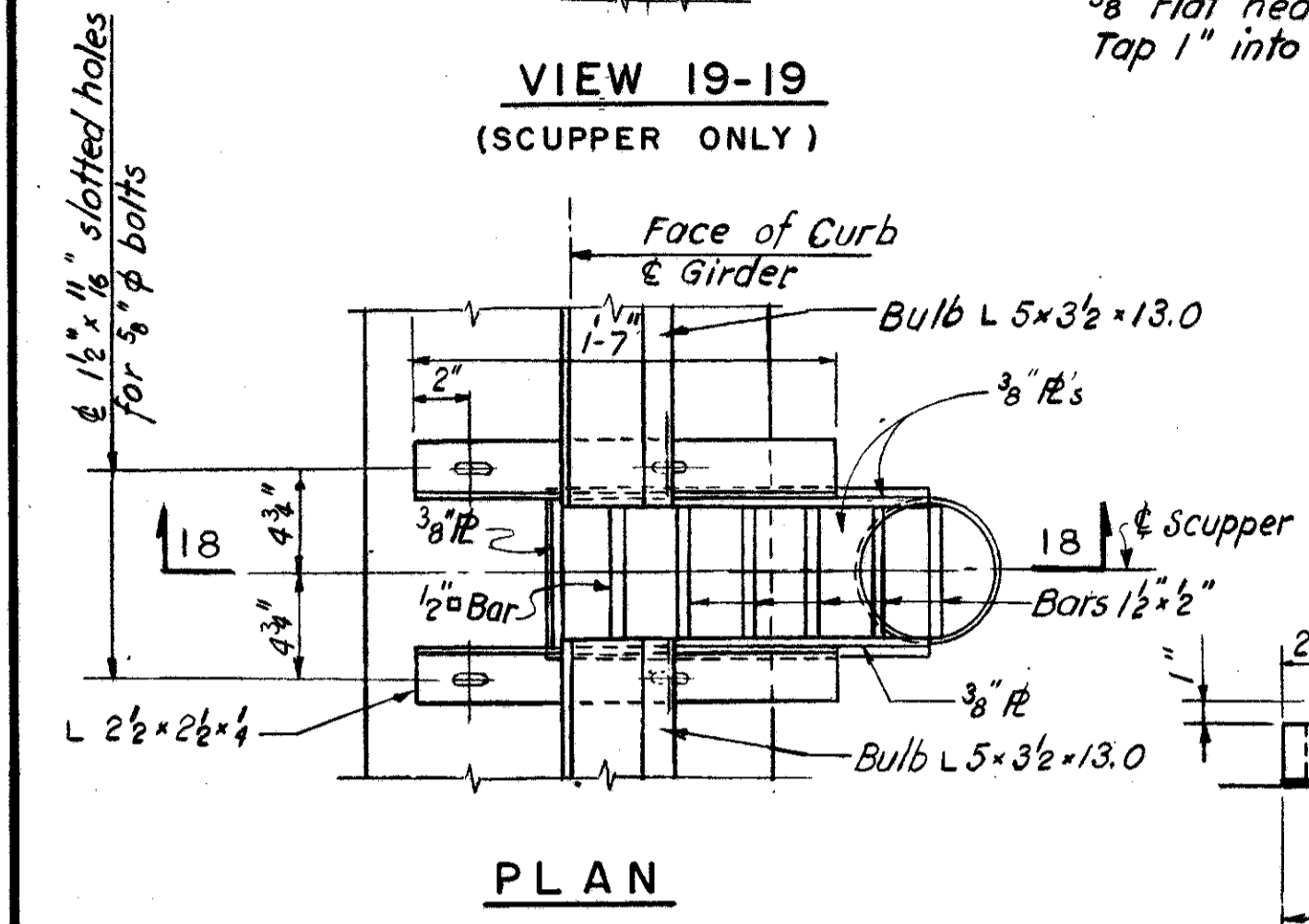
OTTAWA COUNTY
OTT-2-2841
ERIE COUNTY
ERI-2-0.00



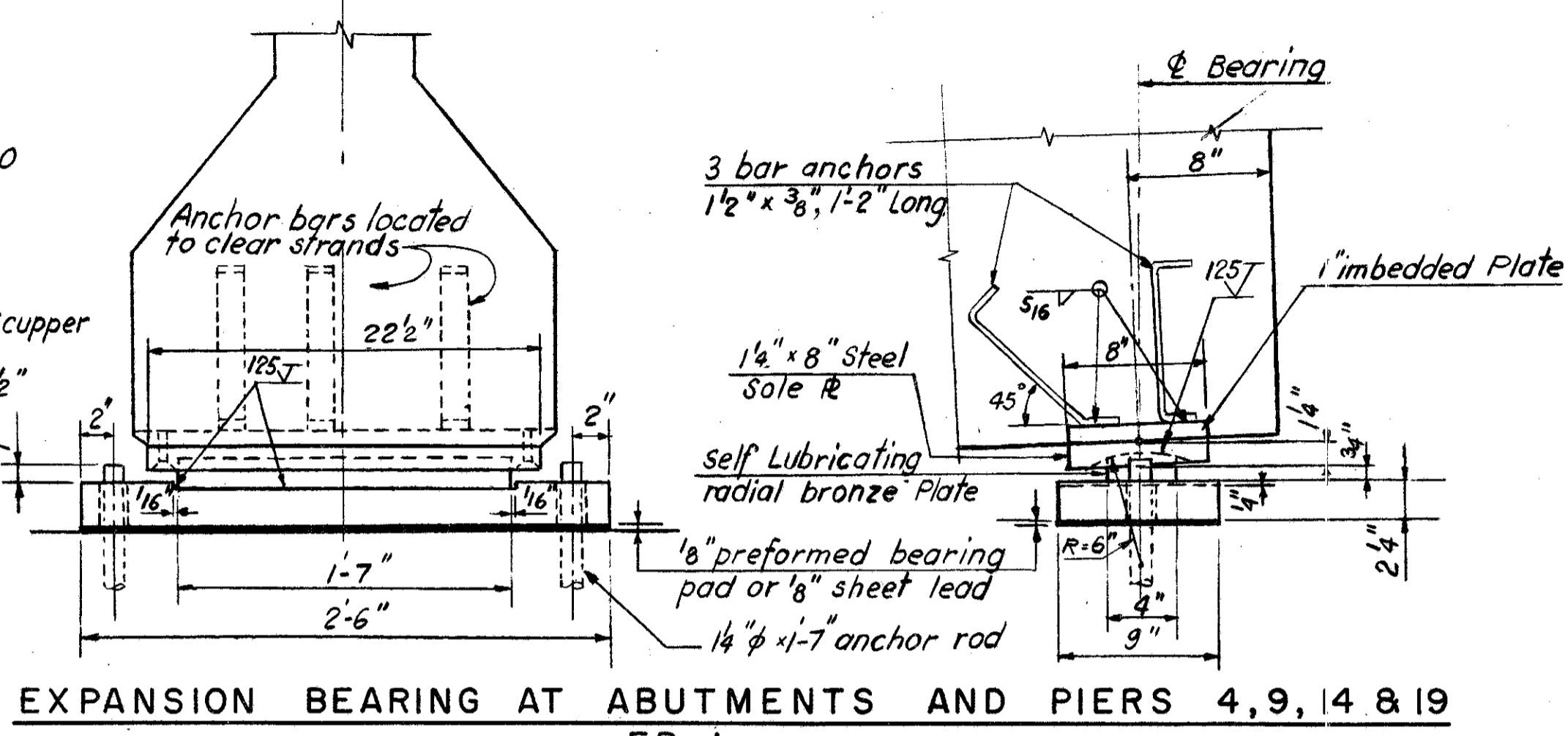
VIEW 19-19
(SCUPPER ONLY)



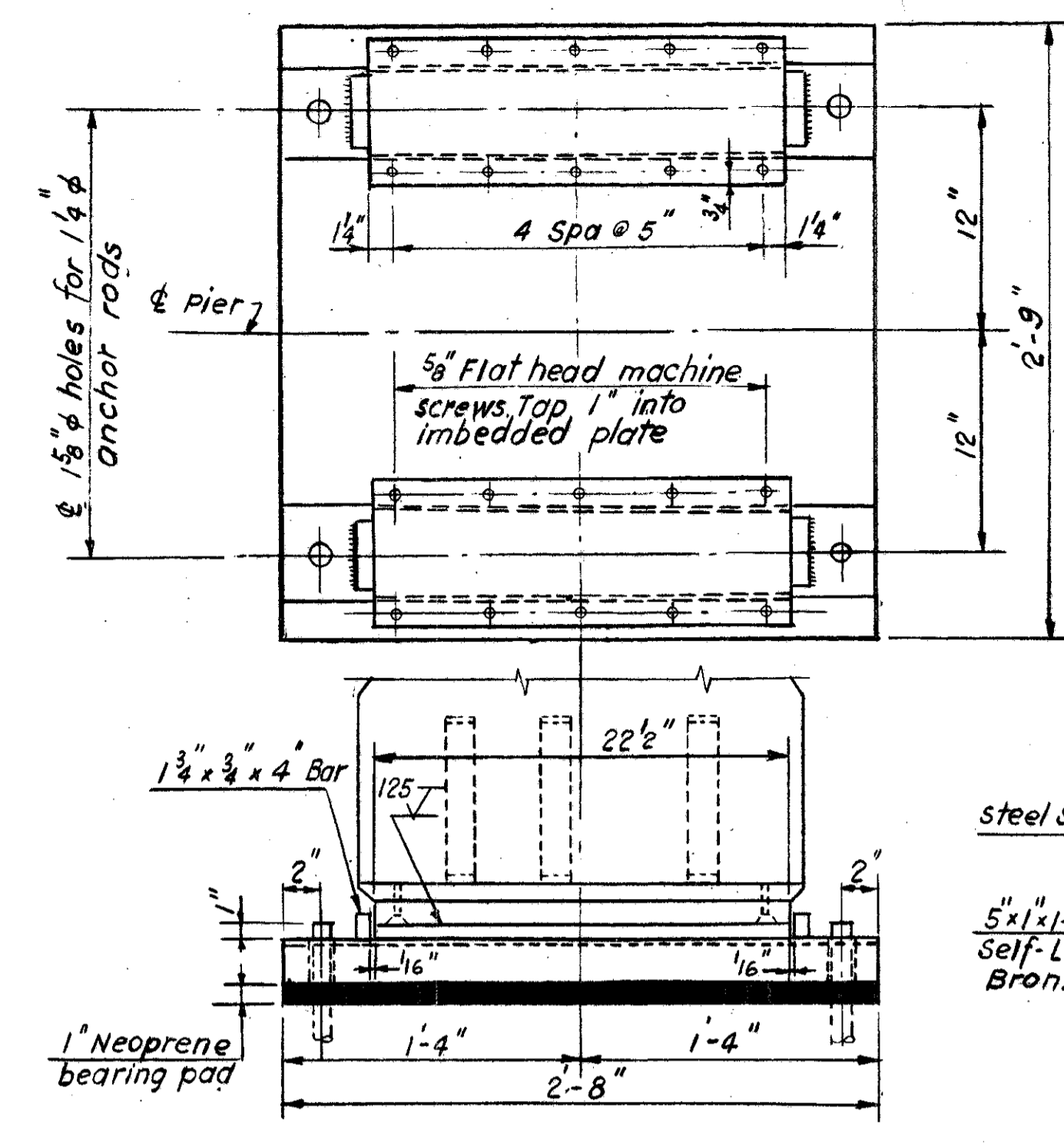
SELF LUBRICATING RADIAL
BRONZE PLATE DETAIL



PLAN



EXPANSION BEARING AT ABUTMENTS AND PIERS
EB-1



EXPANSION BEARING AT PIERS
EB-2

SPECIFICATION FOR SELF-LUBRICATING BRONZE BEARING PLATES

SELF-LUBRICATING BRONZE BEARING PLATES SHALL BE MADE BY AN ESTABLISHED MANUFACTURER OF THESE PRODUCTS AND SHALL CONFORM TO THE FOLLOWING REQUIREMENTS:

(A) CAST PHOSPHOR BRONZE SHALL CONFORM TO SEC. M-7.11 OF THE CONSTRUCTION AND MATERIAL SPECIFICATIONS, ASTM DESIGNATION B22, ALLOY B, AND SHALL HAVE AN ALLOWABLE UNIT STRESS OF 2,500 PSI IN COMPRESSION.

(B) THE LUBRICANT SHALL BE OF THE SOLID TYPE AND SHALL CONSIST OF GRAPHITE, METALLIC SUBSTANCES HAVING LUBRICATING PROPERTIES AND A LUBRICATING BINDER. MATERIALS WHICH DO NOT HAVE LUBRICATING QUALITIES OR WHICH PROMOTE CHEMICAL OR ELECTROLYTIC REACTIONS, WILL NOT BE ACCEPTABLE. THE LUBRICANT SHALL BE COMPRESSED INTO THE LUBRICATION RECESSES WITH HYDRAULIC PRESSURE OF AT LEAST FIVE TIMES THE DESIGN UNIT LOADING TO FORM A DENSE, NON-PLASTIC LUBRICANT.

(C) THE RECESSES FOR THE LUBRICANT SHALL CONSIST OF ANNU-LAR RINGS WITH OR WITHOUT CENTRAL CIRCULAR RECESS WITH A DEPTH AT LEAST EQUAL TO THE WIDTH OF THE RING OR DIAMETER OF HOLE FOR PROPER CONTAINMENT OF LUBRICANT.

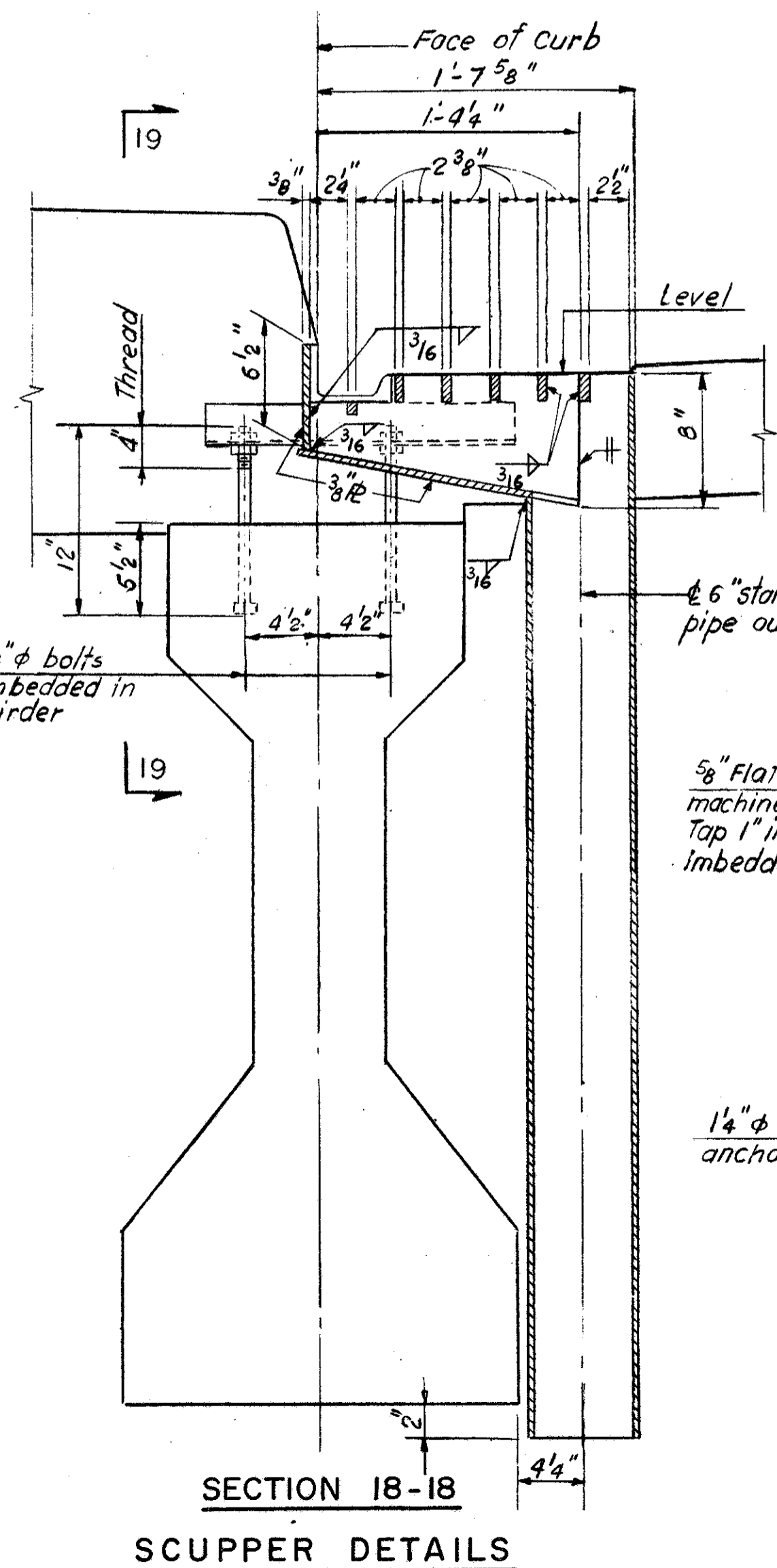
(D) THE RECESSES SHALL BE ARRANGED IN A GEOMETRIC PATTERN SUCH THAT SUCCESSIVE ROWS SHALL OVERLAP IN THE DIRECTION OF MOTION AND THE DISTANCE BETWEEN EXTREMITIES OF RECESSES SHALL BE CLOSER IN THE DIRECTION OF MOTION THAN THAT PERPENDICULAR TO MOTION. THE ENTIRE BEARING AREA OF ALL SURFACES WHICH HAVE PROVISION FOR MOTION SHALL BE LUBRICATED BY MEANS OF THESE LUBRICANT FILLED RECESSES. THE TOTAL AREA OF THESE RECESSES SHALL COMPRISE NOT LESS THAN 25 PER CENT NOR MORE THAN 35 PER CENT OF THE TOTAL BEARING AREA OF THE PLATE.

(E) BEARING SURFACES OF THE BRONZE BEARING PLATES AND OPPOSING STEEL PLATES SHALL BE MACHINE FINISHED TO THE SURFACE ROUGHNESS SHOWN ON THIS DRAWING. THE LAY OF THE TOOL MARKS SHALL BE IN THE DIRECTION OF MOTION. ALL MACHINE SURFACES SHALL BE FLAT WITHIN 0.005 INCH PER INCH OF LENGTH AND WIDTH.

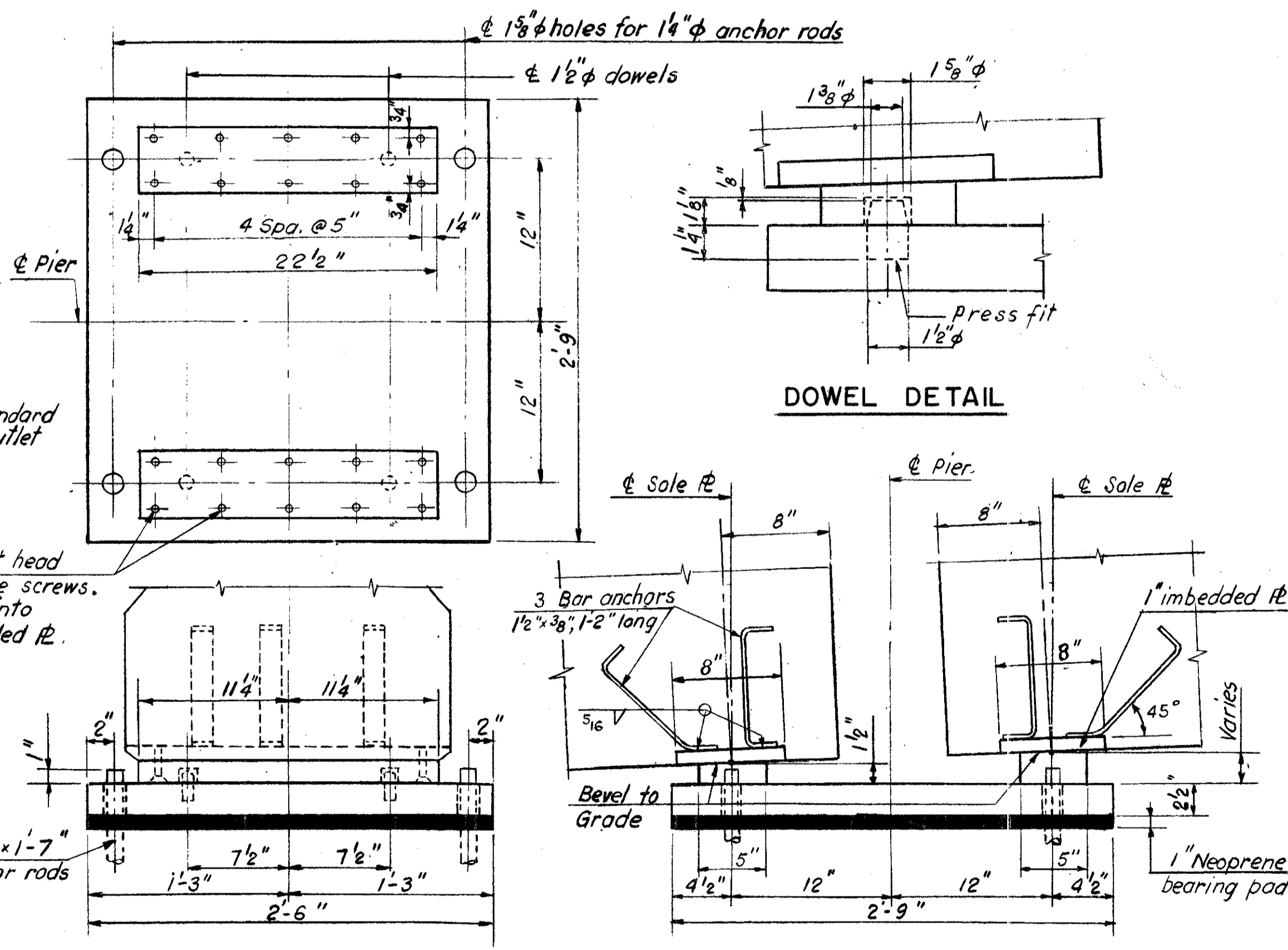
(F) FOR MATING CURVED SURFACES OF STEEL AND BRONZE, THE CONCAVE SURFACE SHALL HAVE A POSITIVE TOLERANCE NOT EXCEEDING .010 INCH AND THE CONVEX SURFACE A NEGATIVE TOLERANCE OF .010 INCH.

(G) THE COEFFICIENT OF FRICTION BETWEEN THE BRONZE SELF-LUBRICATING PLATES AND THE STEEL PLATES IN CONTACT WITH THEM SHALL NOT EXCEED 0.10 WHEN SUBJECTED TO THE DESIGN LOADING.

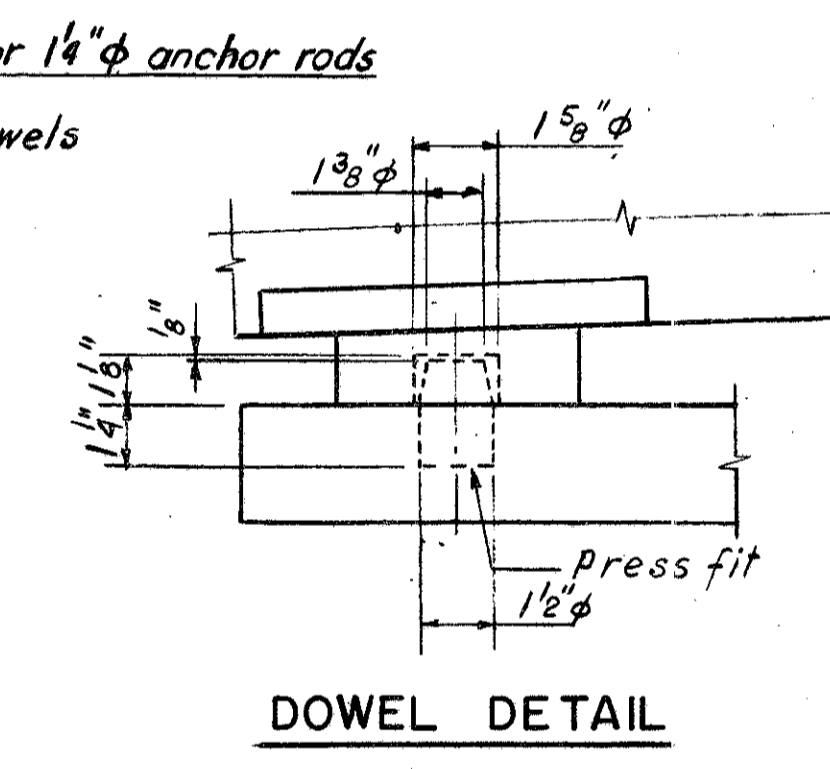
NOTES:
For General Plan and Elevation, see Sheet No.2
For General Notes, see Sheets No.3 and 4
For Location of Scuppers, see Sheets No.15 to 17
For Typical Bridge Cross-Section, see Sheet No.14
For Girder Details, see Sheet No.13
The Neoprene bearing pads shall conform to sec. M-10.29 of the Construction and Material Specifications, 50 hardness. Include with bearing device for payment.



SECTION 18-18
SCUPPER DETAILS



FIXED BEARING
FB-1



DOWEL DETAIL

STEEL: PLATES AND RODS SHALL CONFORM TO ASTM DESIGNATION A36-62T

LATERAL EXPANSION: ALL BEARINGS MUST BE ACCURATELY PLACED IN ORDER THAT PROPER CLEARANCE WILL BE PROVIDED AT ALL BEARINGS FOR LATERAL EXPANSION OF THE SUPERSTRUCTURE.

ANCHOR BARS: WELDED STUD SHEAR CONNECTORS OF 3/4" DIAMETER AND OF EQUIVALENT LENGTH MAY BE SUBSTITUTED FOR THE 1 1/2"x3/8" ANCHOR BARS.

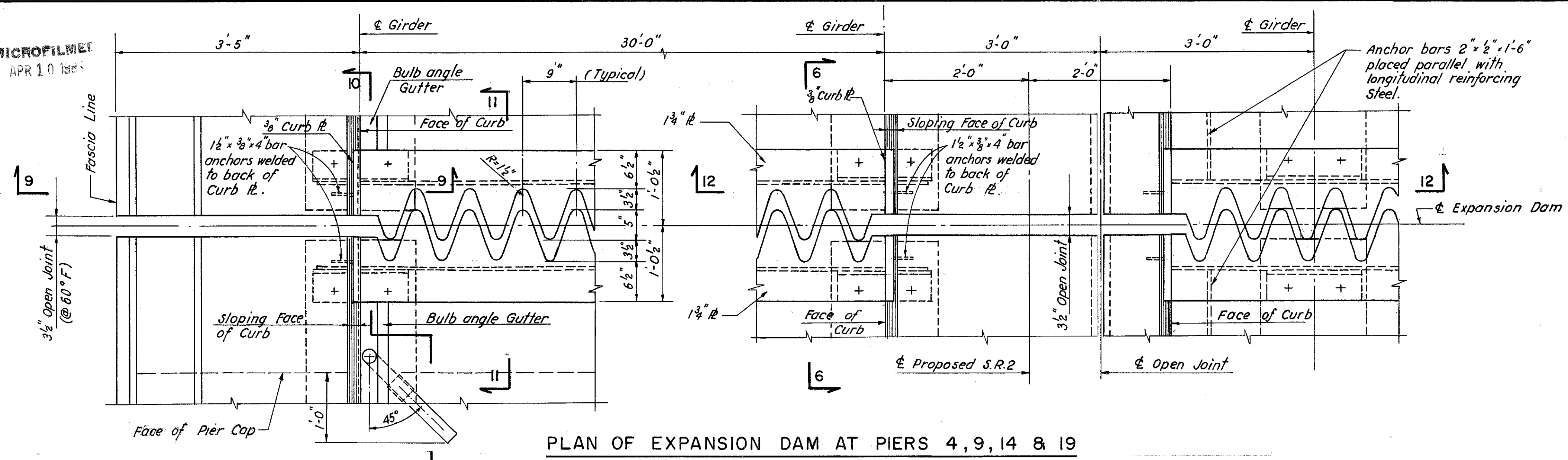
SANDUSKY BAY BRIDGE BR.No. OTT-2-2904 OTTAWA COUNTY & ERIE COUNTY SCUPPER AND BEARING SHOE DETAILS			
E. LIONEL PAVLO CONSULTING ENGINEER NEW YORK, N.Y.			
DESIGNED BY: G.T.	DRAWN BY: E.W.	CHECKED BY: N.I.	REVIEWED: DATE: 12/19/62

MICROFILMED
APR 10 1965

FED. RD. DIVISION	STATE	PROJECT
2	OHIO	F-1042(15)

19
21

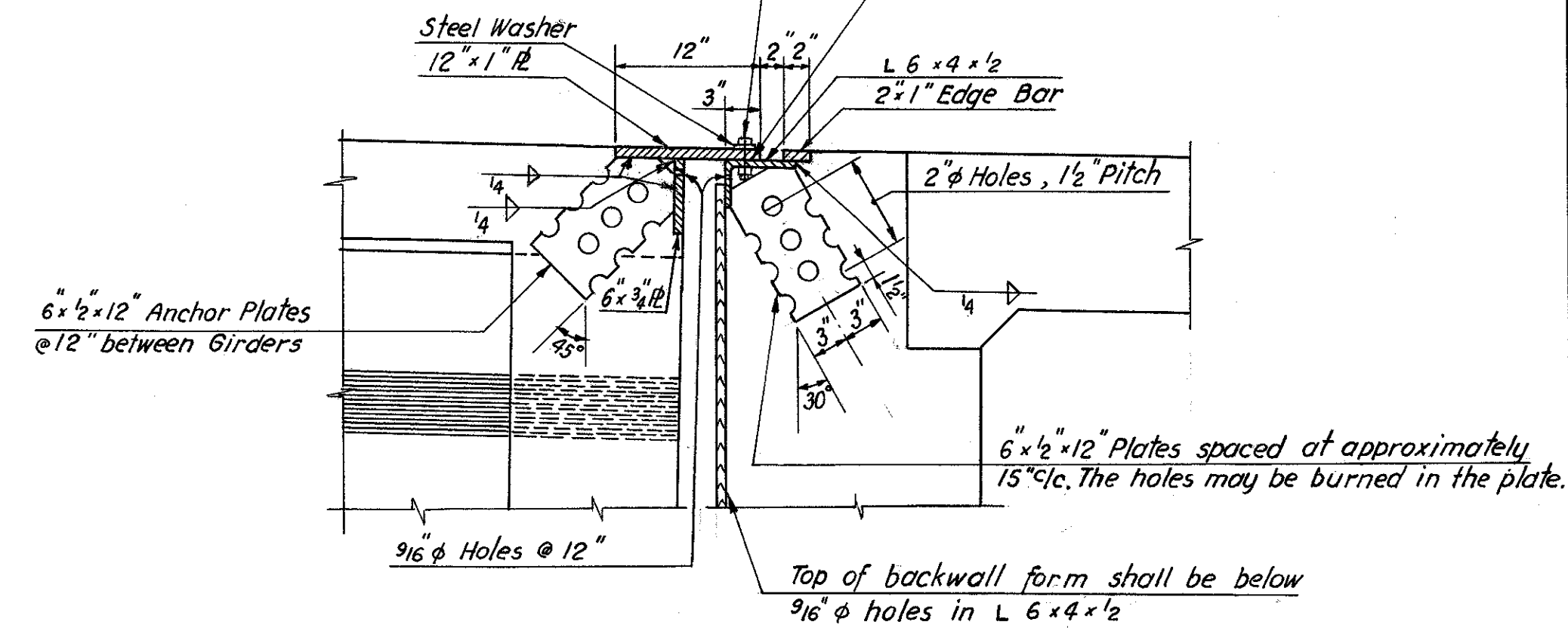
OTTAWA COUNTY
OTT-2-2841
ERIE COUNTY
ERI-2-0.00



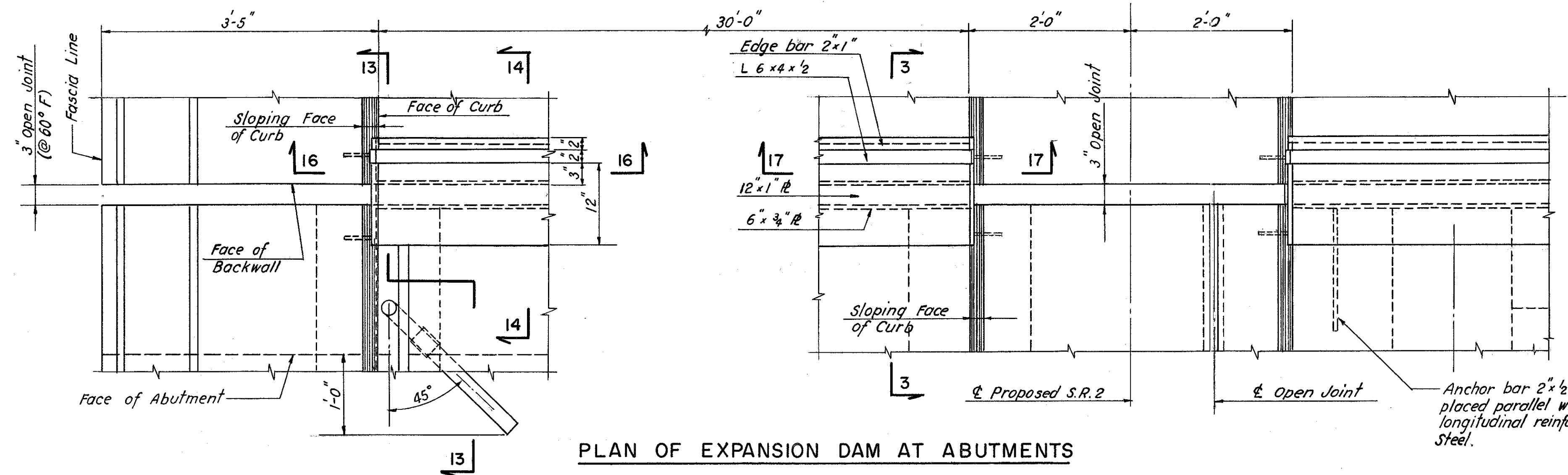
PLAN OF EXPANSION DAM AT PIERS 4, 9, 14 & 19

5/8" x 2" Bolts of not more than 2'-0" c/c with nuts tack-welded to under side of angle. 1/16" holes in plate. Center 5/8" bolts in 1 1/4" holes. Apply flake graphite between washers and plate. Turn bolt tight and release one-half turn. Remove bolts as soon as concrete has set, preferably within two hours after placing, to avoid damage due to temperature expansion or contraction of superstructure. Fill holes with bituminous material.

This contact surface shall not be painted and shall be lubricated with flake graphite prior to placing of backwall concrete.

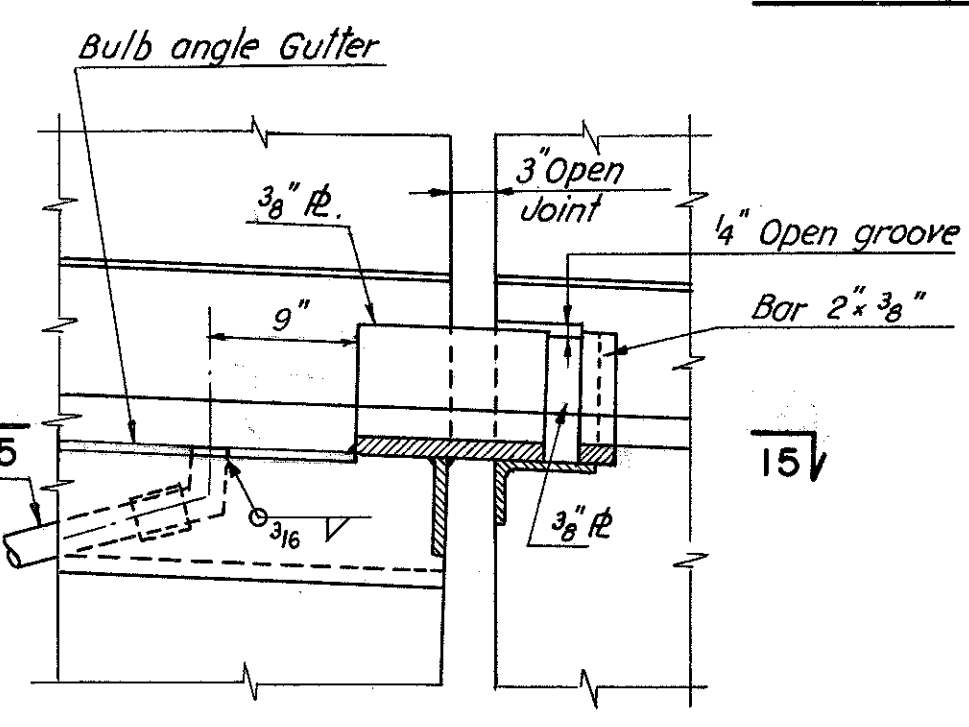


SECTION 14-14

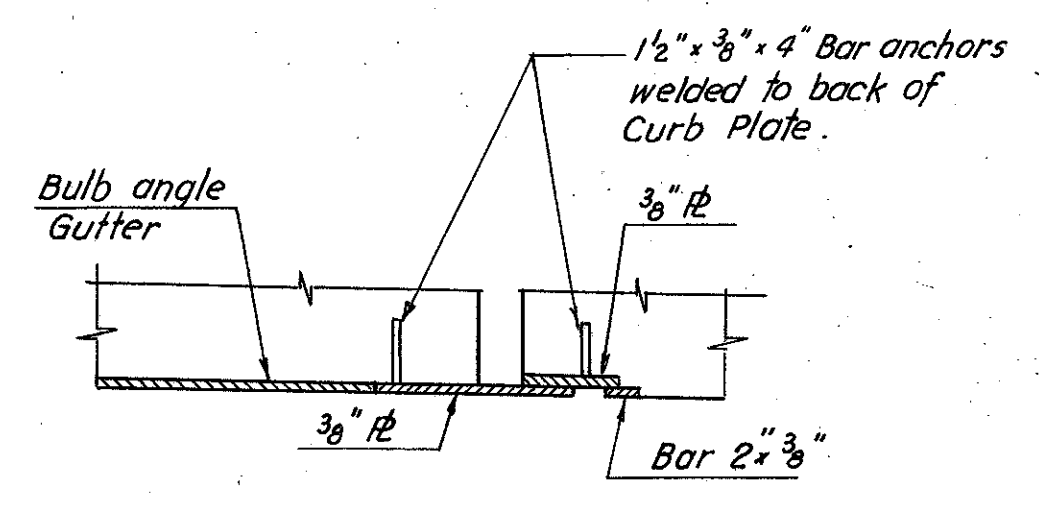


PLAN OF EXPANSION DAM AT ABUTMENTS

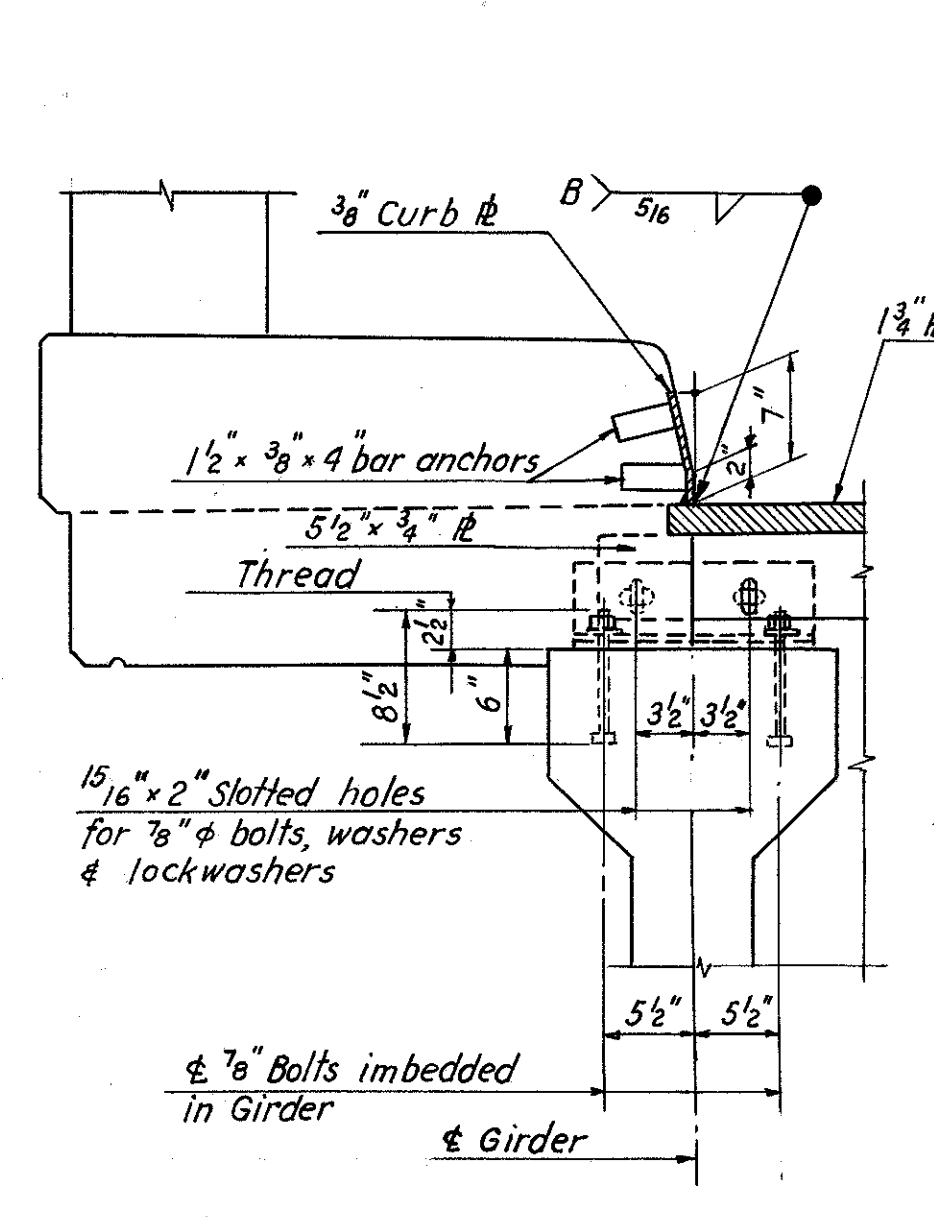
2" Standard Pipe drain. Use standard elbow and coupling. A welded bend may be used where space does not permit use of standard elbow.



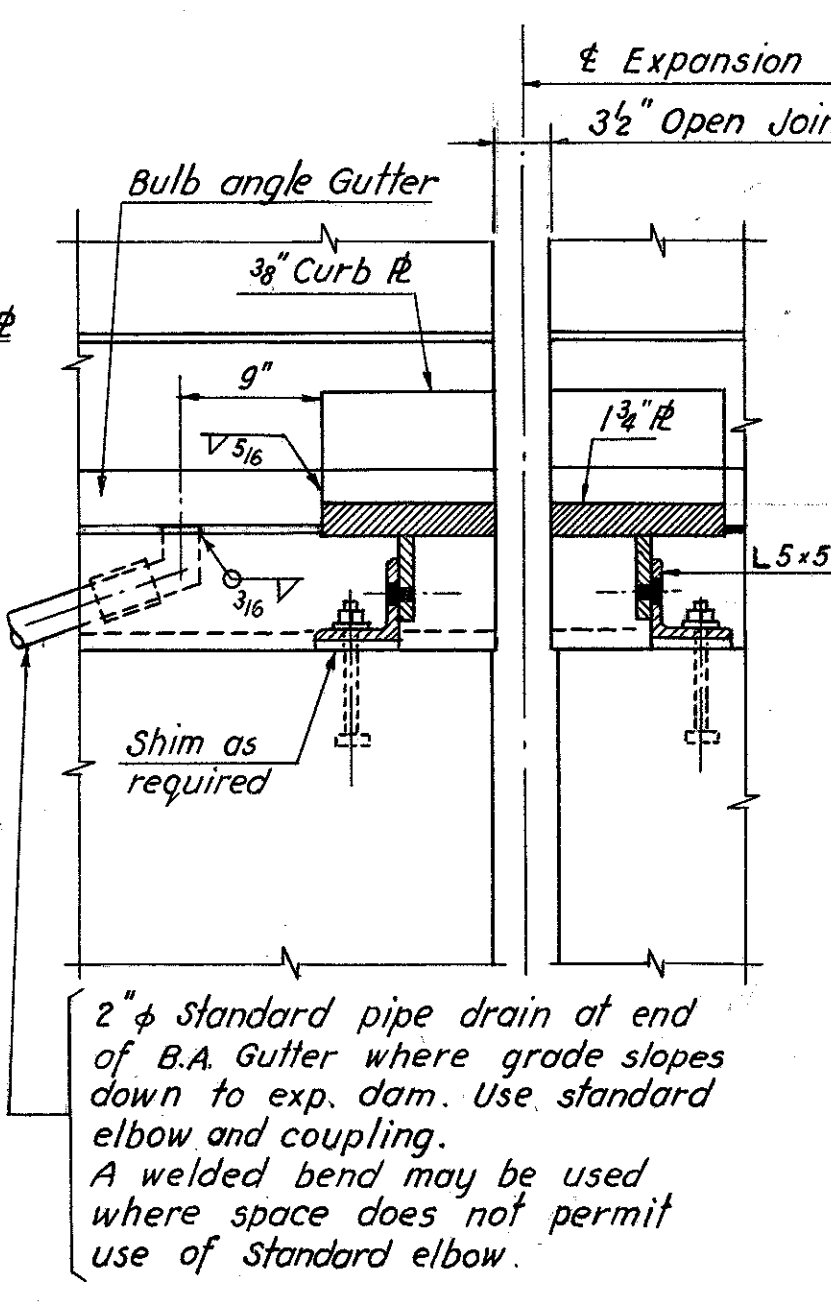
SECTION 13-13



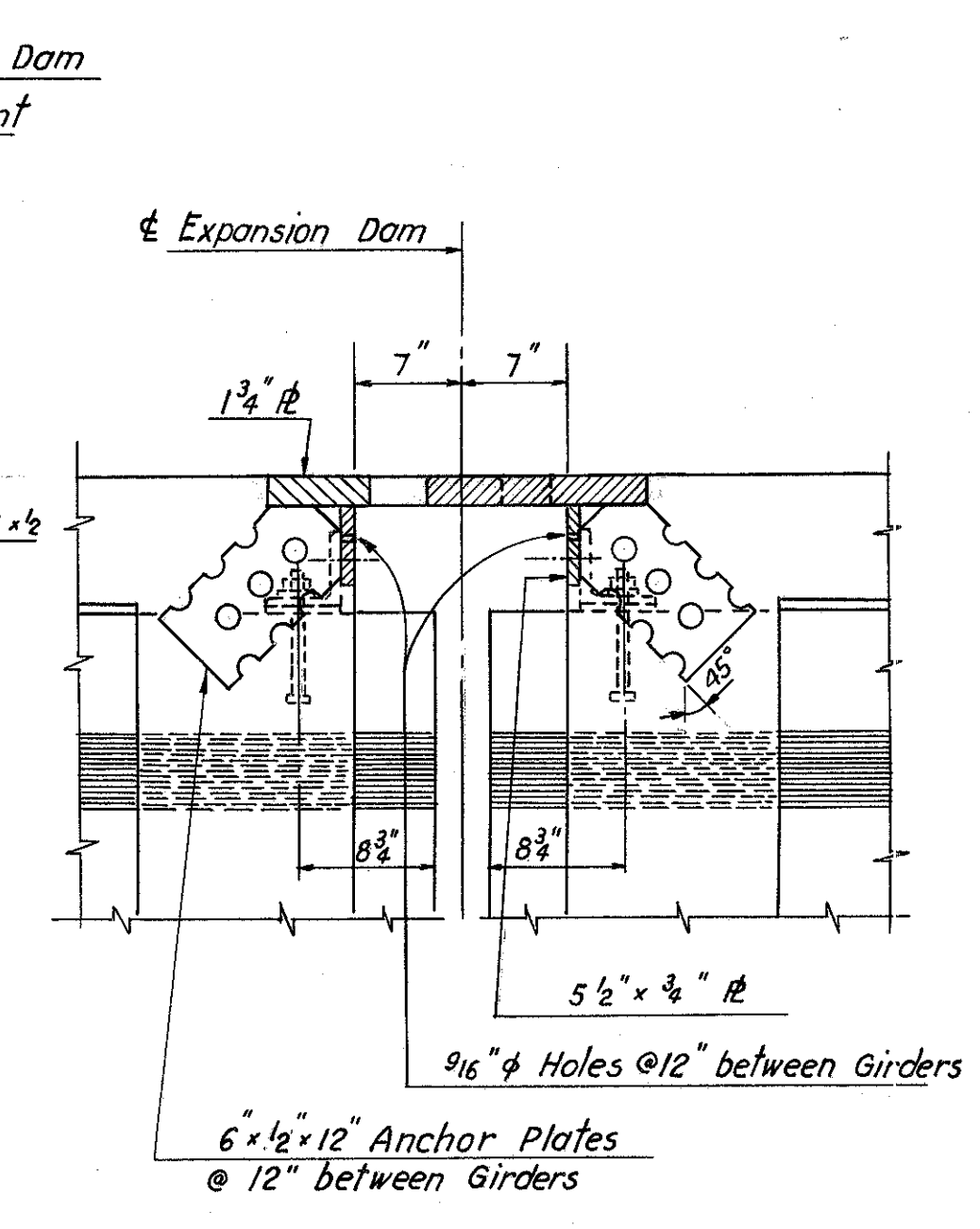
SECTION 15-15



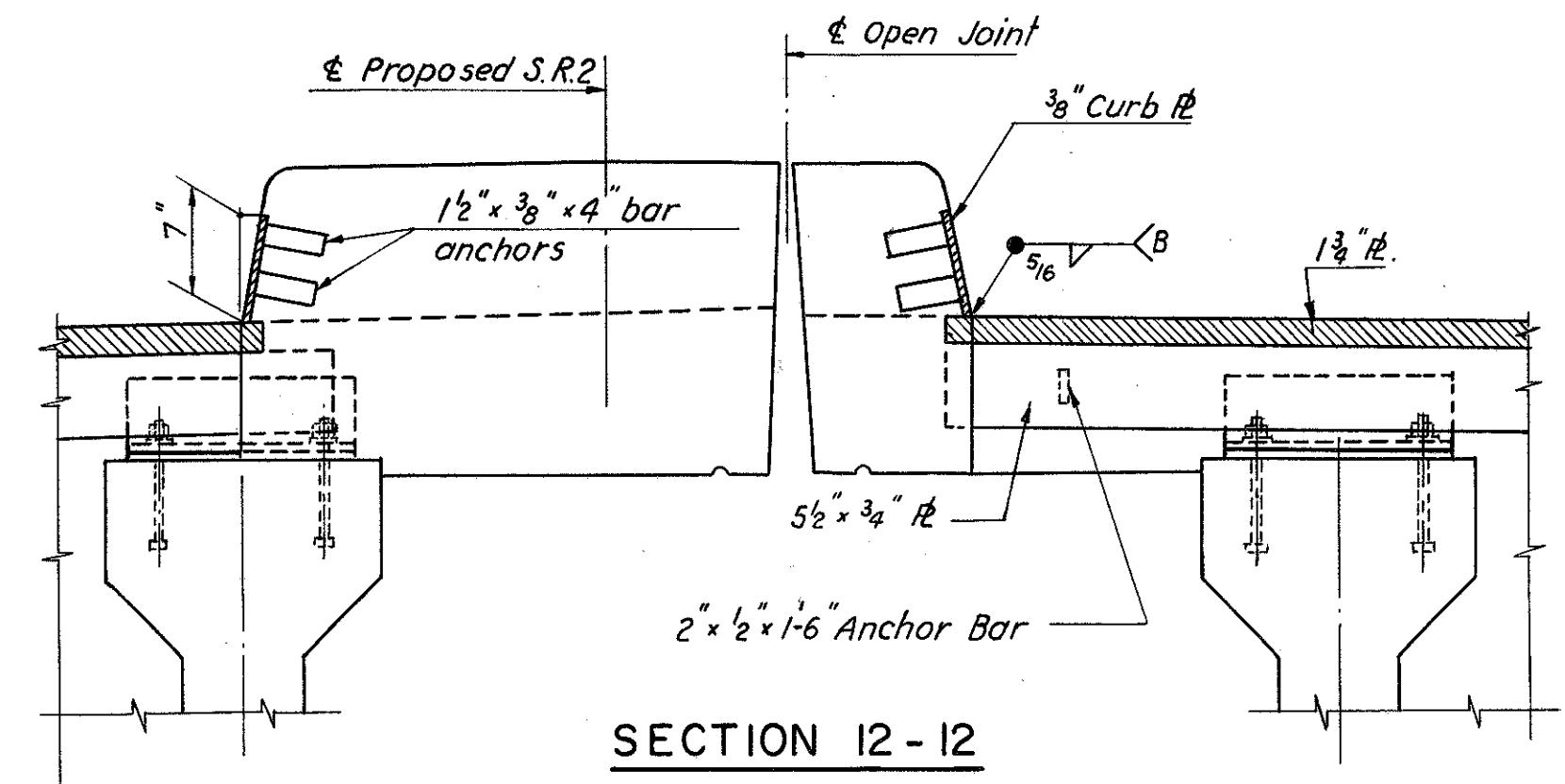
SECTION 9-9



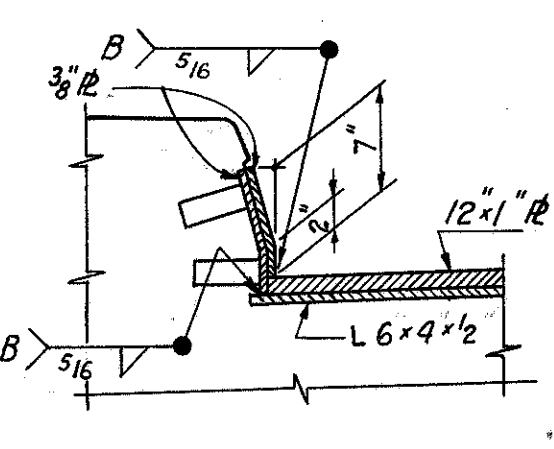
SECTION 10-10



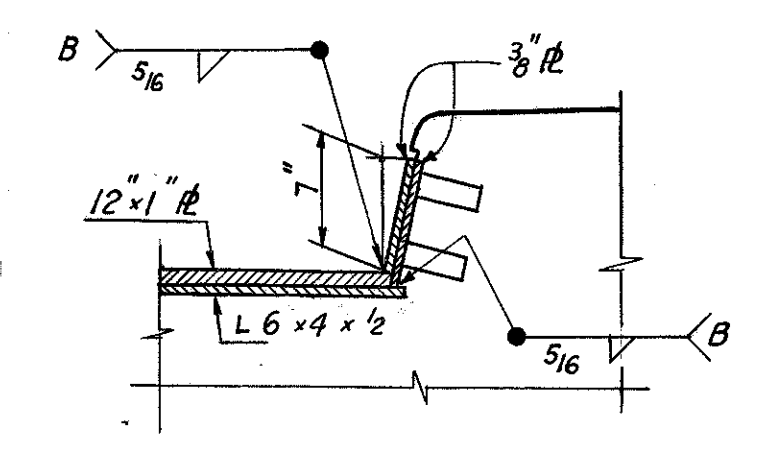
SECTION 11-11



SECTION 12-12



SECTION 16-16



SECTION 17-17

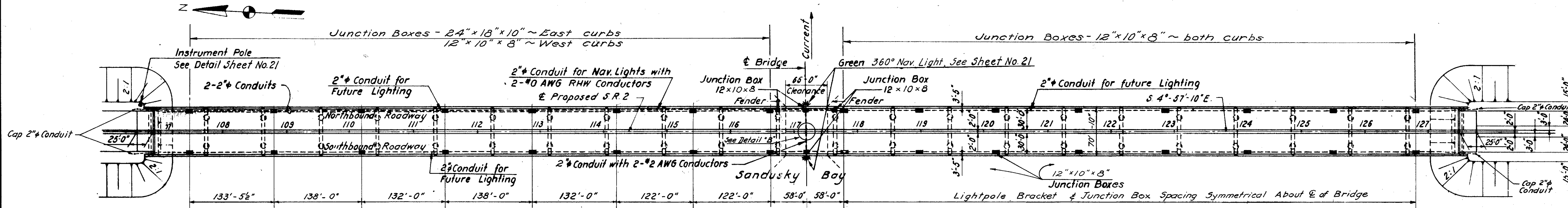
NOTES:

- For General Notes, see Sheets No. 3 and 4
 - For General Plan and Elevation, see Sheet No. 2
 - For Typical Bridge Cross-Section, see Sheet No. 14
 - For Girder Details, see Sheet No. 13
 - For Section 3-3, see Sheet No. 15
 - For Abutment Details, see Sheet No. 8
 - For Section 6-6, see Sheet No. 17
 - For Pier Details see Sheet No. 10
- Omit shop coat on all portions of end dam. Portions in contact with steel or with concrete shall not be painted. All other portions shall be cleaned and given the shop coat in the field as well as the three field coats.

SANDUSKY BAY BRIDGE
BR. No. OTT-2-2904
OTTAWA COUNTY & ERIE COUNTY
EXPANSION DAM DETAILS

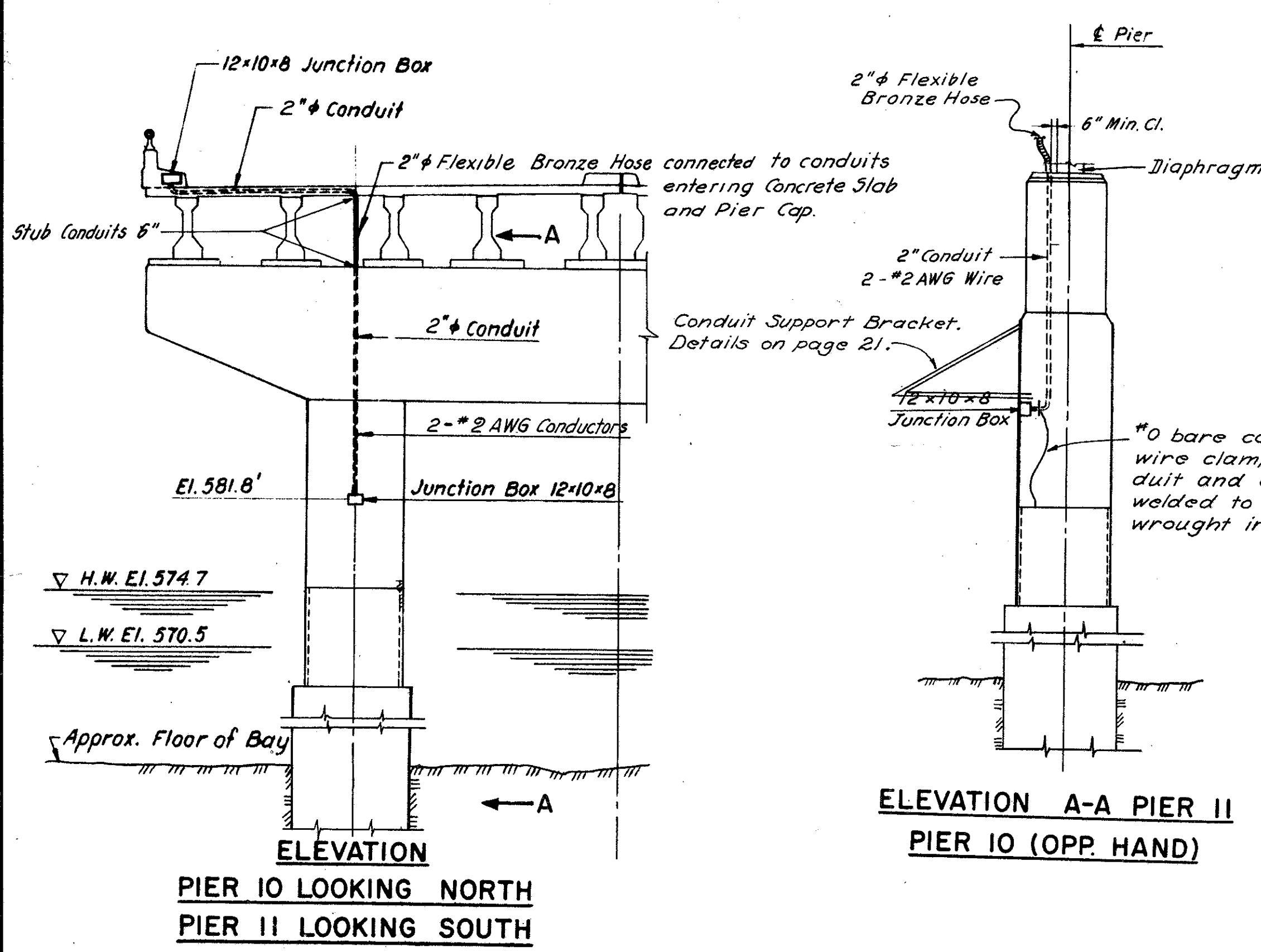
E. LIONEL PAVLO
CONSULTING ENGINEER
NEW YORK, N.Y.

DESIGNED BY:	DRAWN BY:	CHECKED BY:	REVIEWED DATE:
G. T.	E. W.	T. S. S.	12/19/62

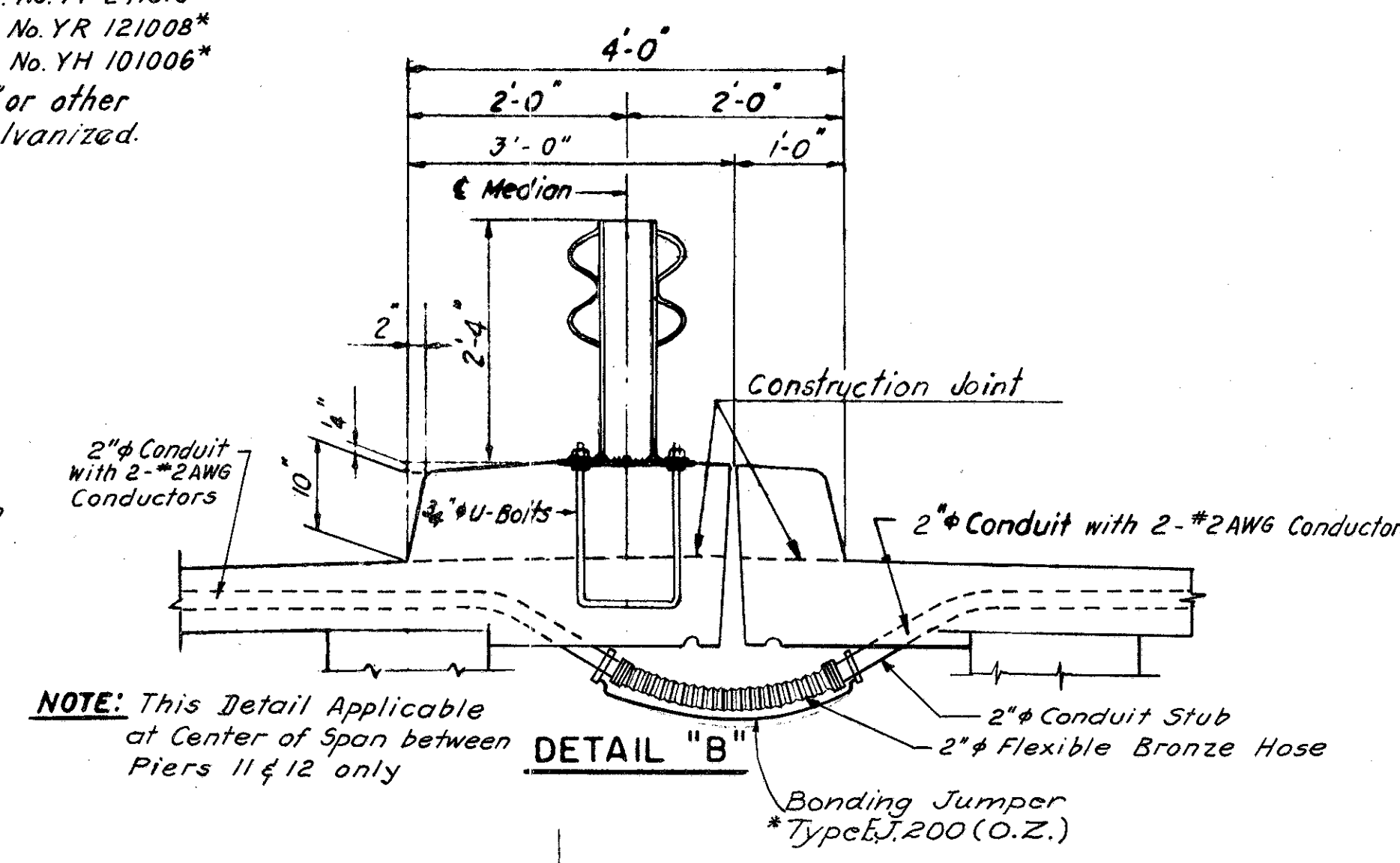


NOTE: All Conduit to be 2" Galvanized Steel Conduit (except on Fenders)
All Junction Boxes to be 24"x18"x10" except where shown otherwise.
24"x18"x10" Junction Boxes to be Cast Iron O.Z. Cat. No. YR 241810*
12"x10"x8" " " to be Cast Iron O.Z. Cat. No. YR 121008*
10"x10"x6" " " to be Cast Iron O.Z. Cat. No. YH 101006*
* - or equivalent as manufactured by "Spring City" or other approved equal. All junction boxes shall be galvanized.

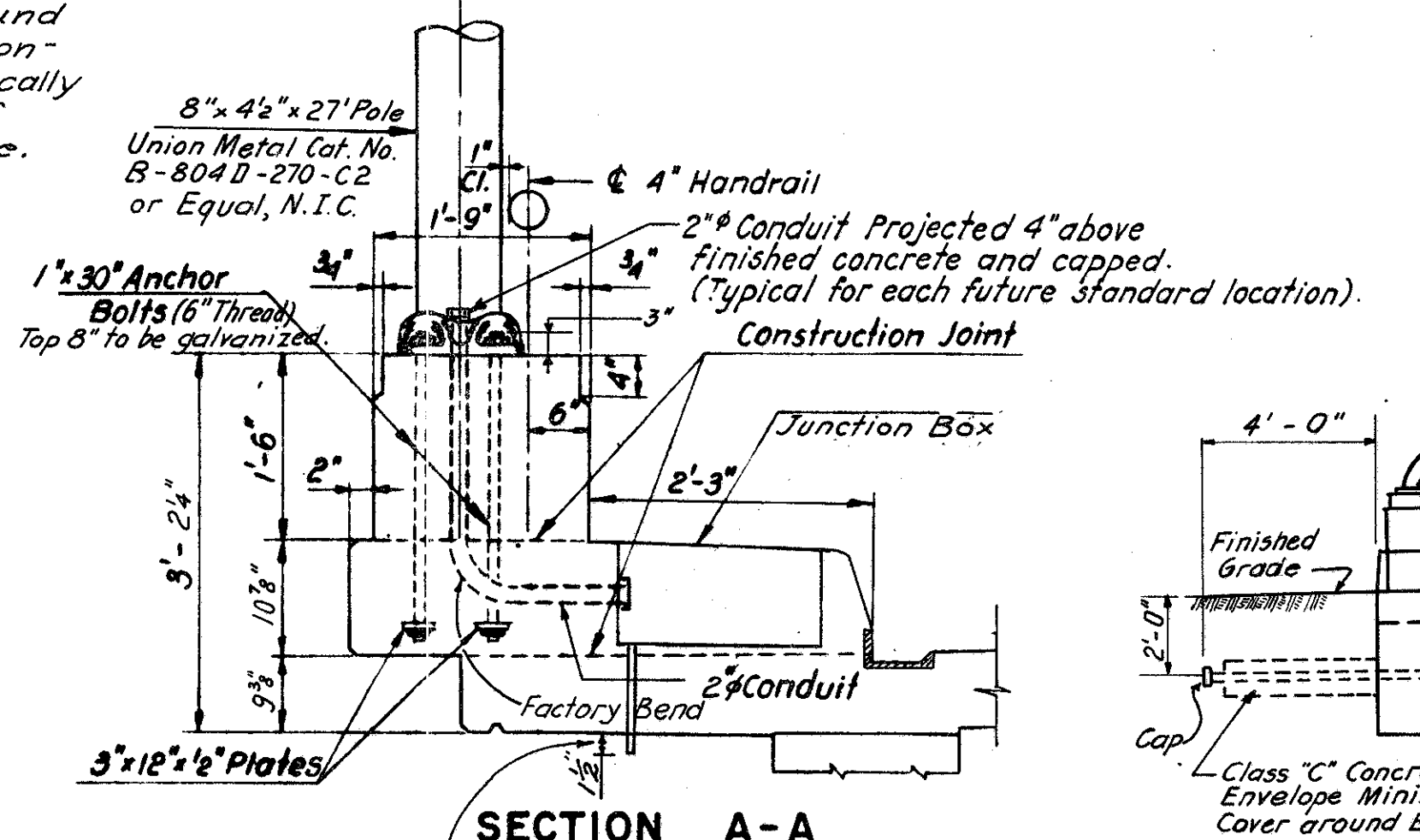
SYMBOLS:
--- 2" Galvanized Steel Conduit.
■ Junction Box
N.I.C. - Not In Contract.



ELEVATION A-A PIER II
PIER IO (OPP. HAND)

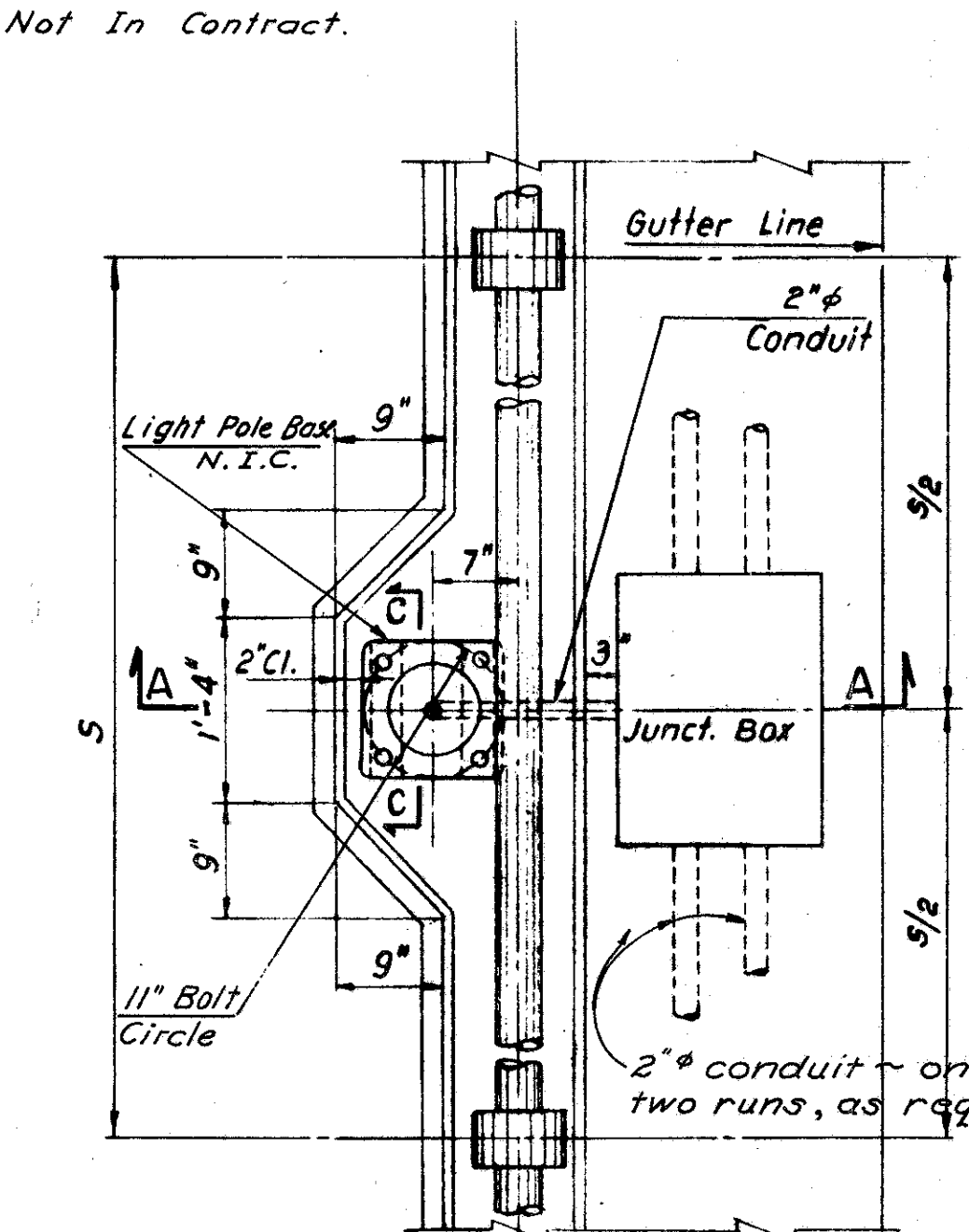


NOTE: This Detail Applicable at Center of Span between Piers 11 & 12 only

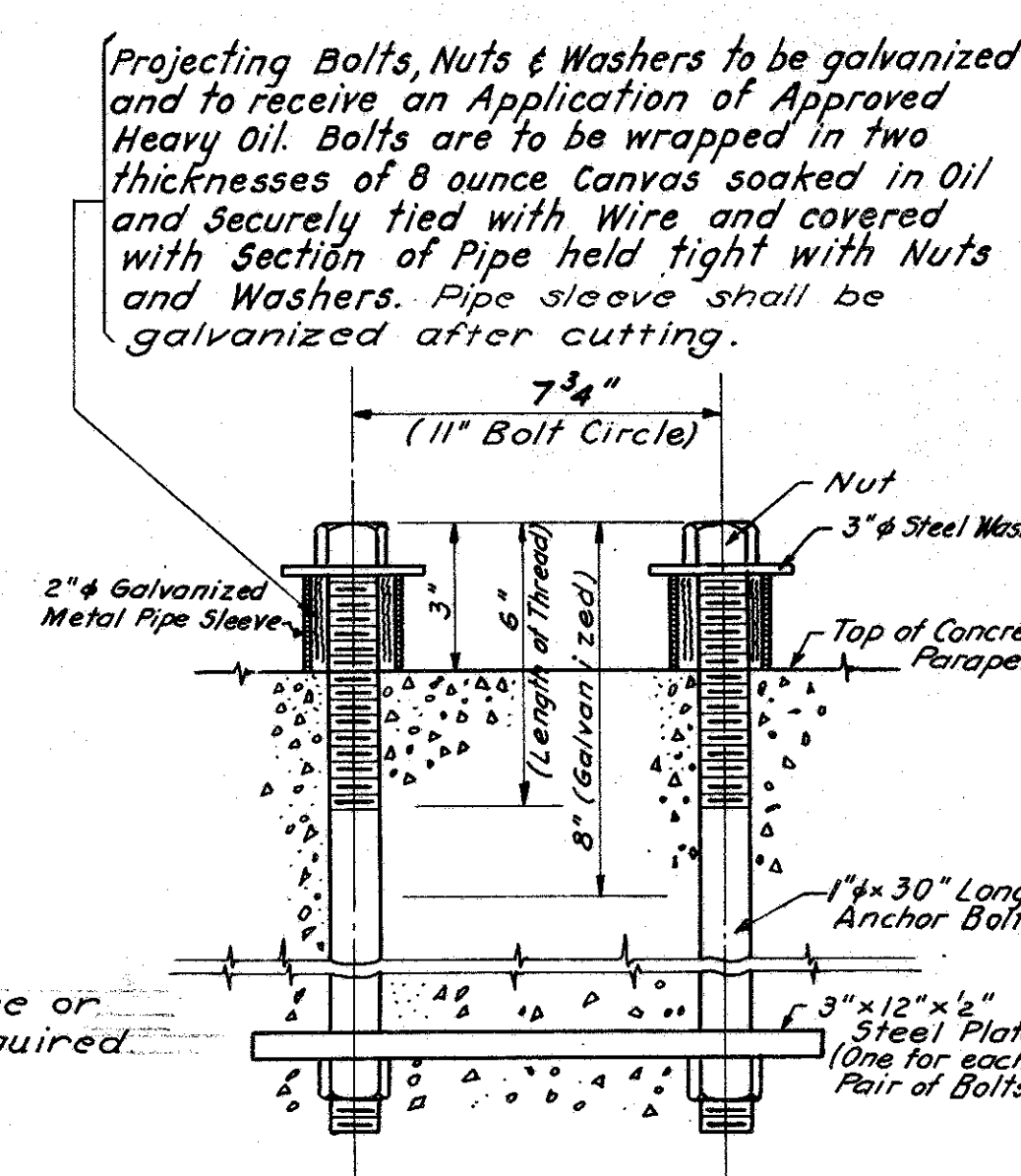


SECTION A-A

Each junction box shall be fitted with a 2" copper drain tube located at downgrade end and near the parapet edge of each box.

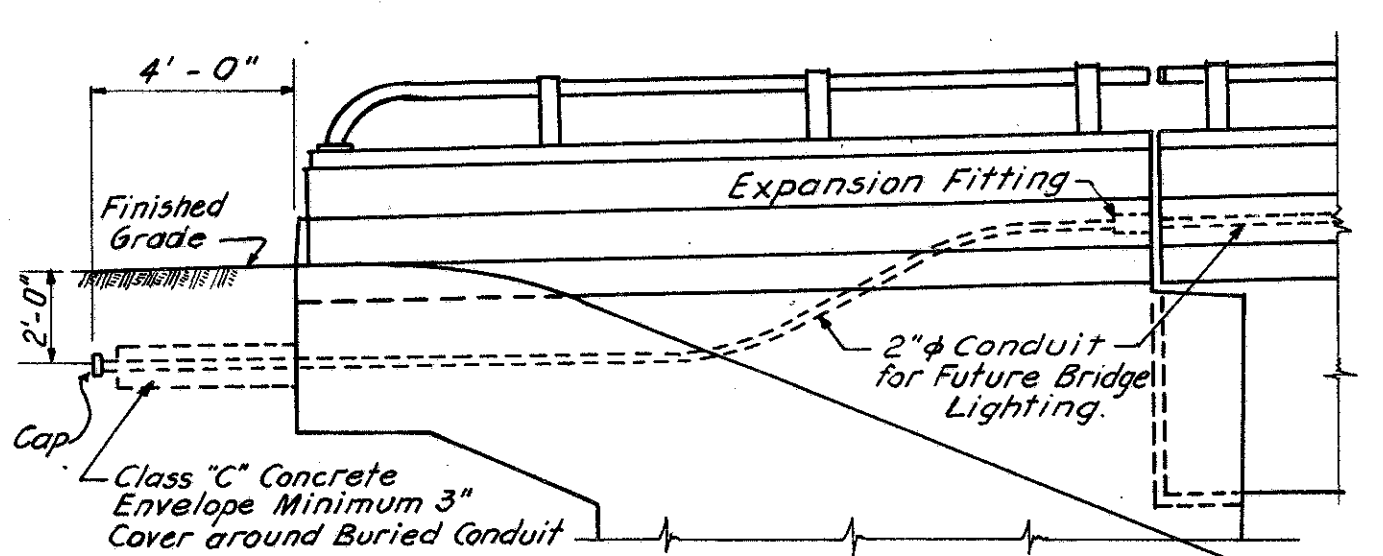


TYPICAL LIGHTPOLE BRACKET PLAN



SECTION C-C

ANCHOR BOLTS FOR FUTURE LIGHTING STANDARDS
Four (4) bolts to be installed for each Standard.



CONDUIT PLACEMENT AT ENDS OF BRIDGE
(TYPICAL FOR ALL FOUR CORNERS OF STRUCTURE)

NOTE:
Conduit for Navigation Lighting System to be Placed Similar to that shown above except that Conduit is to be run to Pole as shown on Wiring Diagram Detail, See Sheet No. 21

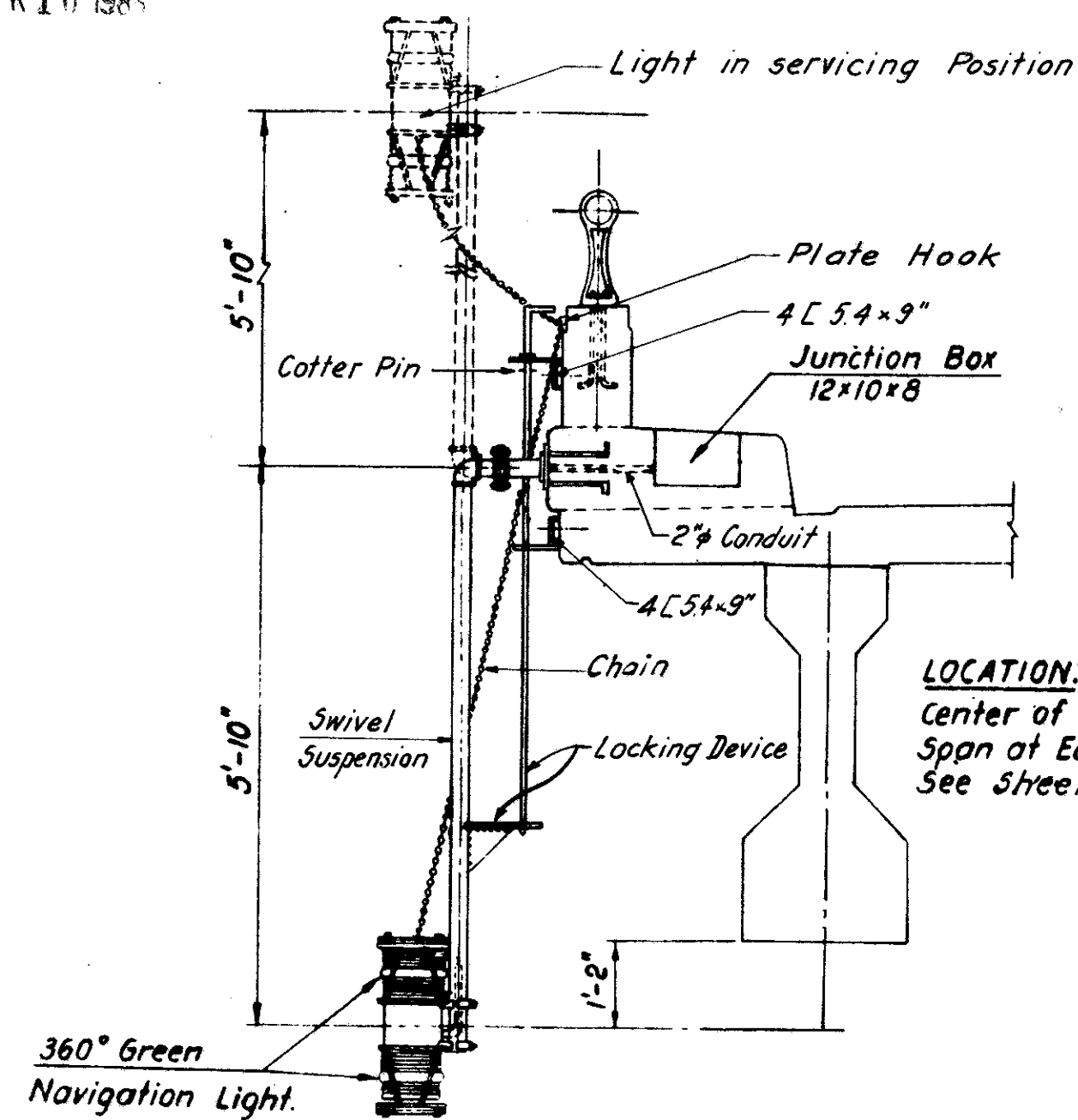
Note:
For General Electrical Notes, see Sheet No. 4
For details of conduit expansion fitting see sheet 21.

SANDUSKY BAY BRIDGE
BR. No. OTT-2-2904
OTTAWA COUNTY & ERIE COUNTY
ELECTRICAL WORK
GENERAL PLAN AND DETAILS

E. LIONEL PAVLO
CONSULTING ENGINEER
NEW YORK, N.Y.

DESIGNED BY:	DRAWN BY:	CHECKED BY:	REVIEWED:	DATE:
M.K.	P.R.	H.B.	S.P.	12/10/61

Junction boxes, fender lights, and conduit shall be mounted on top 10"x10" wale of fenders. Junction boxes shall be secured to timber with lag screws.

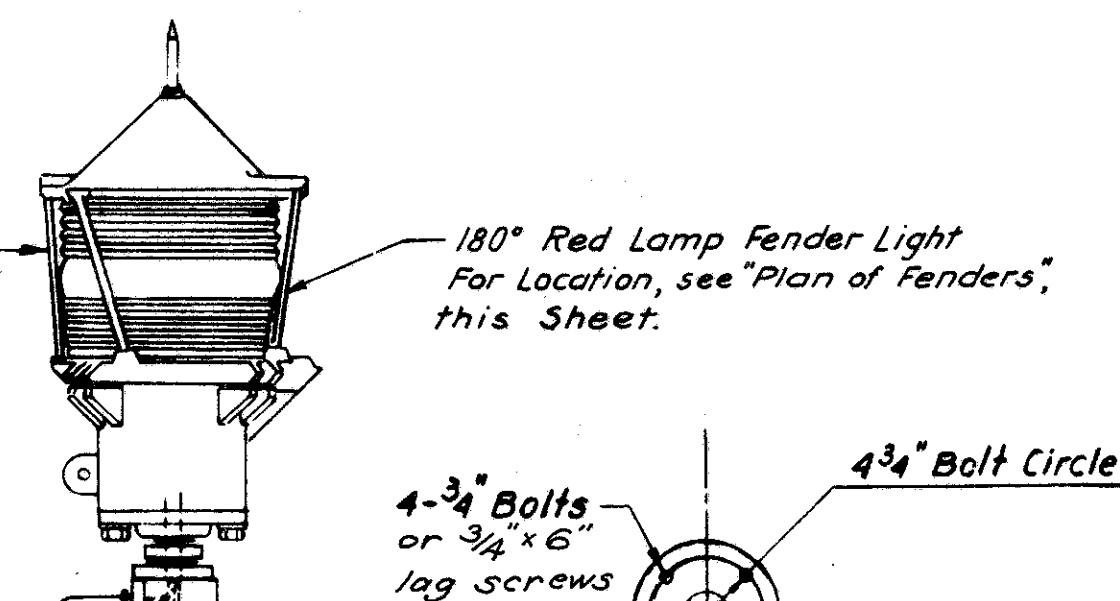


DETAIL OF NAVIGATION LIGHT

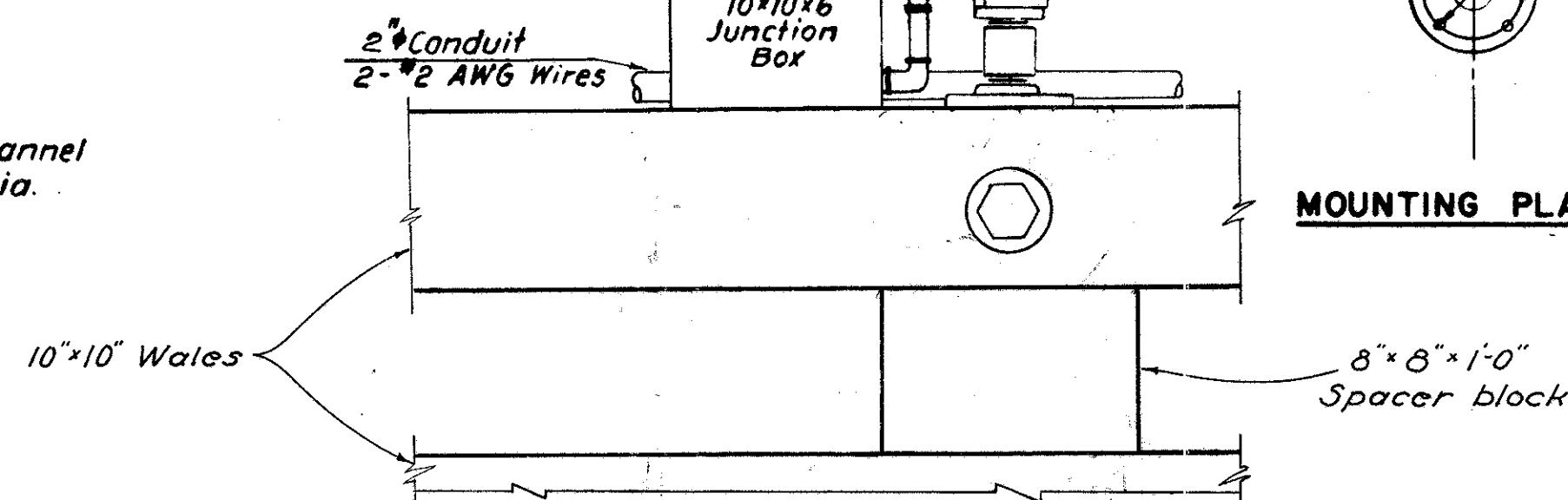
Navigation Lights(2) to be Wallace & Tiernan Type FA 231021 200 MM. Duplex Swivel Mounted Bridge Lights in Bronze Housing Complete with U-18809 Automatic Shock Mounted Lamp Changers - 4 Place, 12-16 Volt with 8 Lamps; 360° Green Fresnel Lenses; Transformers 115V/60 cy/13 V - 6 amps. Swivel Mounting and locking device to be as shown above.

LOCATION:
center of Main Channel
Span of Each Fascia.
See Sheet No. 20

Fender Light (8) to be Wallace & Tiernan Type FA 231 200 MM. Electrical Navigation Light each Having 180° Red Fresnel Lens and 4 Place Shock Mounted Lamp Changer W & T. No. U-18809 Complete with 14 Volt Lamps burned at 13 Volts with total Life in Excess of 10,000 Hours in Bronze Housing each Complete with 115/13 Volt Transformer and W & T. No. FA-229 Pedestal as per W & T. Catalog Drawing No. 8912 TP42 A-1.

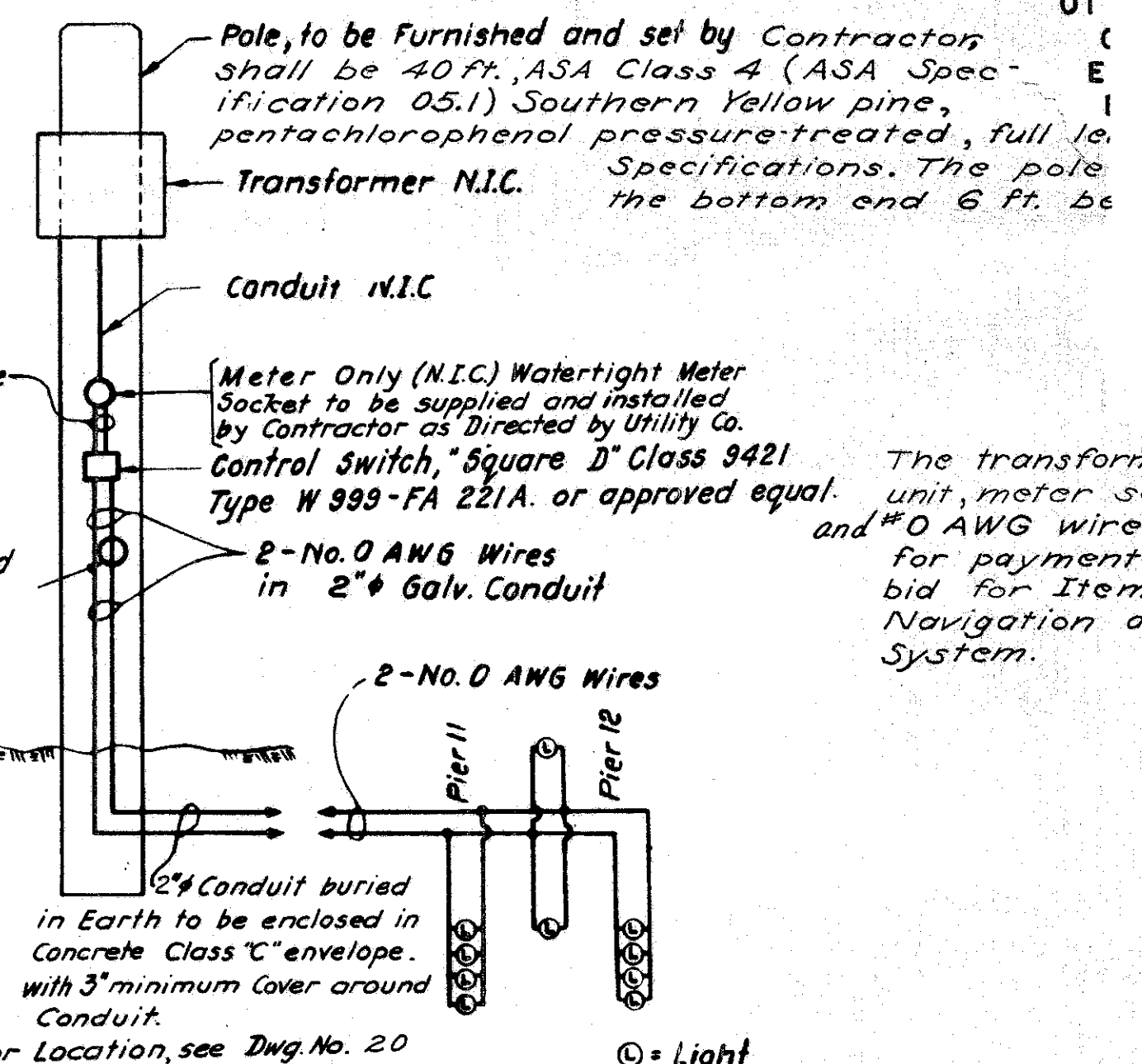


MOUNTING PLATE DETAIL



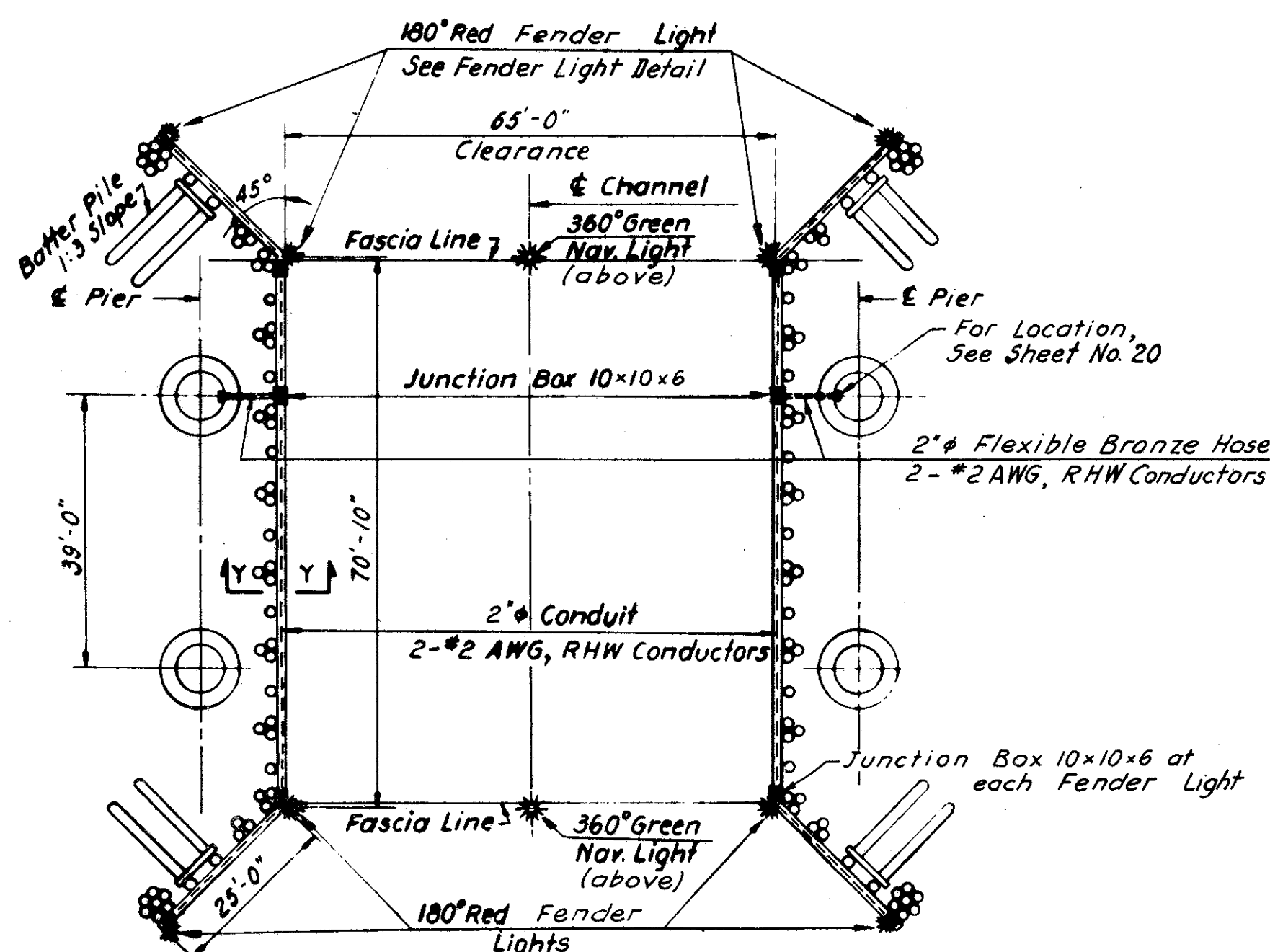
FENDER LIGHT DETAIL

Complete Photoelectric Unit G.E. Cat. No. C-420 6013 or equivalent style as manufactured by Fisher Pierce or Tork Time Controls, Inc. set at Height, Footcandle Operating Range and Facing Direction as required by the Engineer.

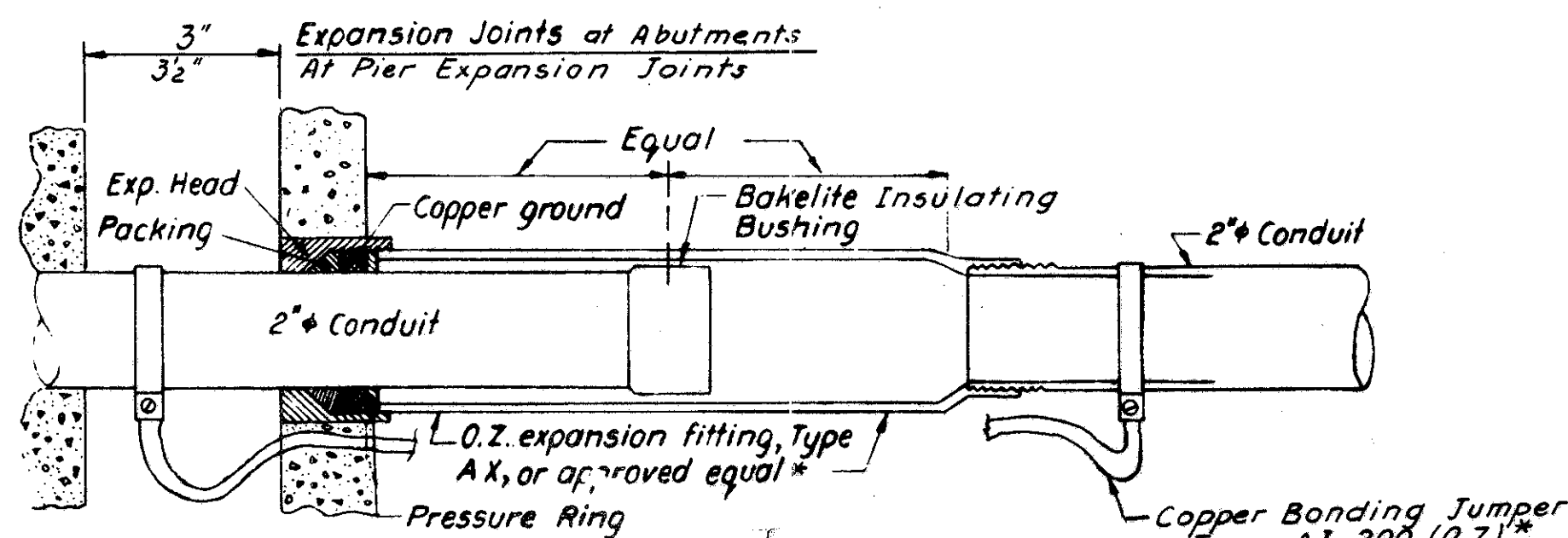


WIRING DIAGRAM FOR NAVIGATION LIGHTS

The transformer unit, meter socket and #0 AWG wire for payment in bid for Item "Navigation at System."



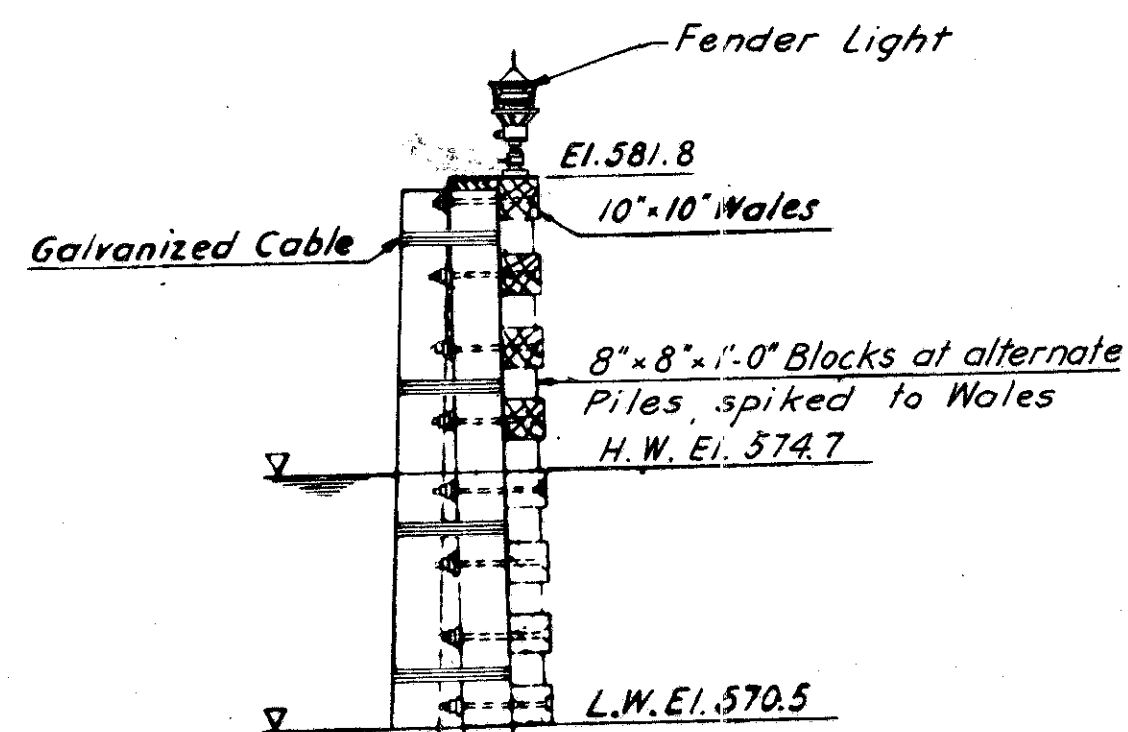
PLAN OF FENDERS



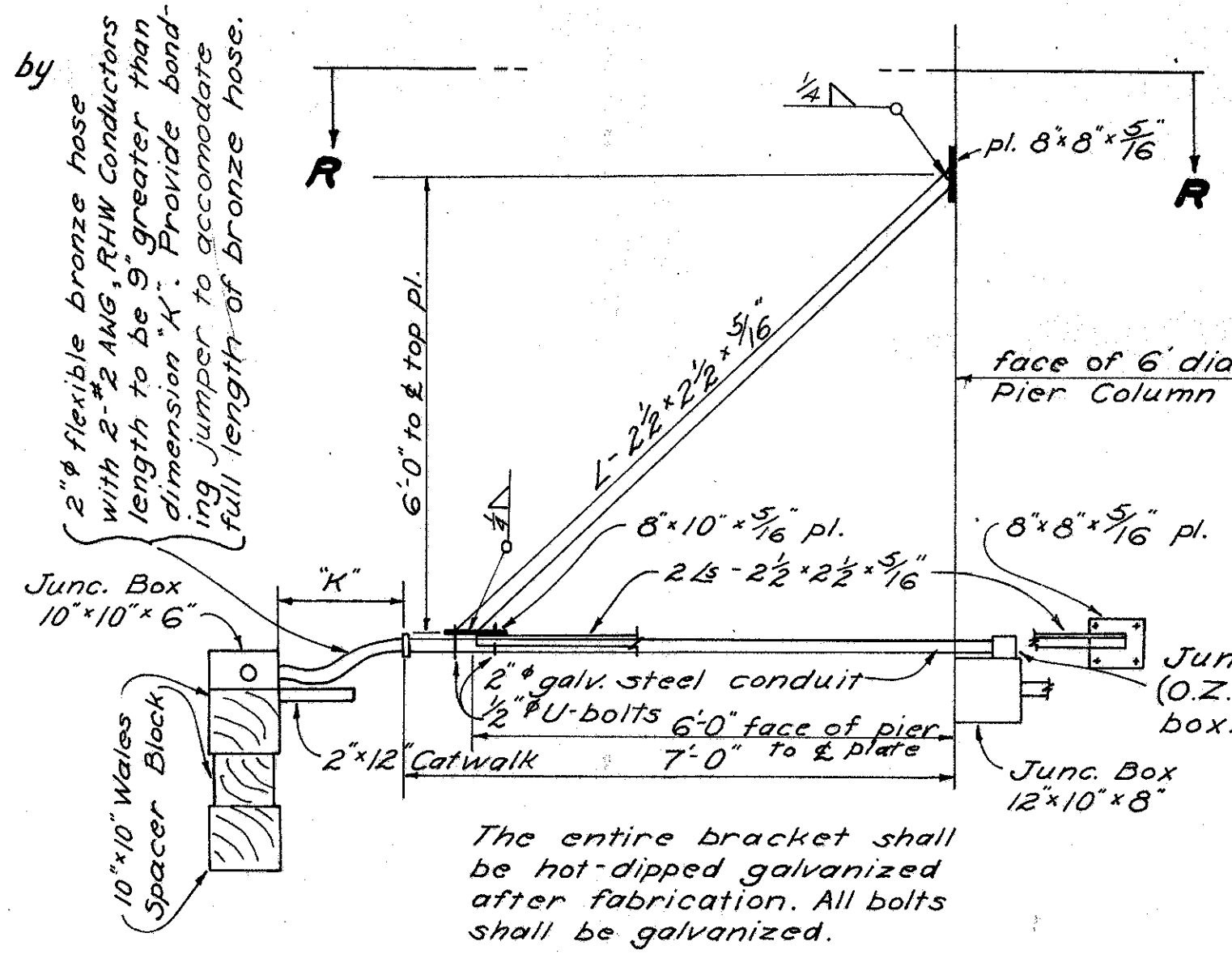
NOTE: Use one at each Safety Curb Joint, and each Abutment Joint for each Conduit.

DETAIL OF EXPANSION FITTING

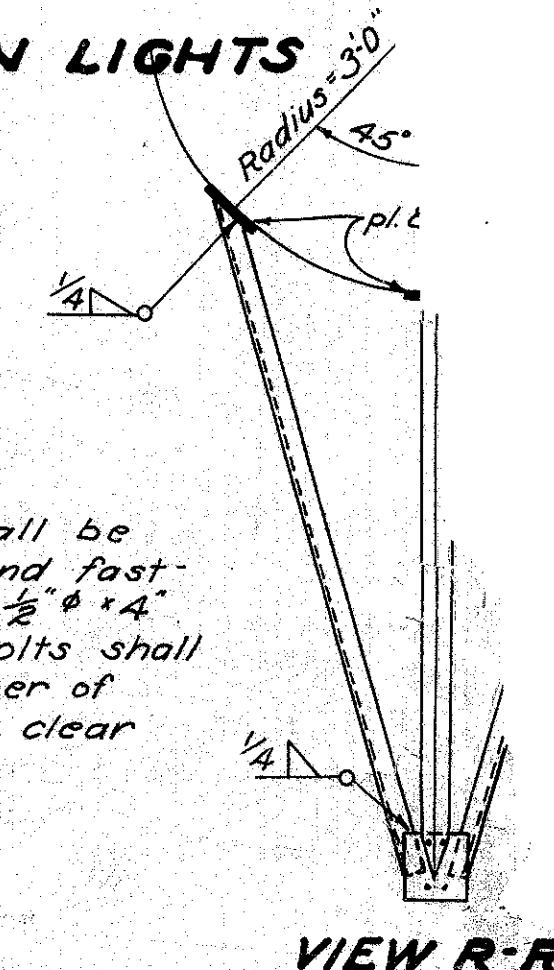
*-or equivalent style and size as manufactured by "Spring City" or other approved equal.



SECTION Y-Y



CONDUIT SUPPORT BRACKET
(Piers 11 & 12)



5/16" pls. attached to pier shall be backed with #6 sheet lead and fastened to pier shafts with 4-1/2" x 4" expansion bolts per plate. Bolts shall be located one in each corner of plates and 15 bolt diameters clear from edges of plate.

NOTE:
For General Electrical Notes, See Sheet No. 4
All Conduit mounted on timber fenders shall be 2" Galvanized Wrought Iron Conduit
24" x 18" x 10" Junction Boxes to be Cast Iron O.Z. Cat. No. 2418
12" x 10" x 8" Junction Boxes to be Cast Iron O.Z. Cat. No. 1210
10" x 10" x 6" Junction Boxes to be Cast Iron O.Z. Cat. No. 1010
For Symbols, See Sheet No. 20
*-or equivalent style and size as manufactured by "Spring City" or other approved equal. All Junction Boxes shall be galvanized.

When installing electrical items, the contractor's attention is directed to Sec. 5-13.02 & 13.03 regarding hardware and preservative treatment of field made holes, cuts and abrasions. All hardware, including spikes, used to fasten components to timber shall be galvanized.

SANDUSKY BAY BRIDGE
BR. No. OTT-2-2904
OTTAWA COUNTY & ERIE COUNTY
ELECTRICAL WORK
FENDER & NAVIGATION LIGHTING SYSTEM

E LIONEL PAVLO
CONSULTING ENGINEER
NEW YORK, N.Y.

DESIGNED BY: M. K.	DRAWN BY: P. R.	CHECKED BY: H. B.	REVIEWED: P. L. P.	DATE: 12/19/62
-----------------------	--------------------	----------------------	-----------------------	-------------------