

O.D.O.T. DISTRICT 2 SURVEY OFFICE (USE ONLY)

PERSONNEL _____ REFERENCE NO. 31 A SHEET 9 OF 21

NOTES RHOADES DATE 3/29/17 ROUTE US 20

H.C. O'DONNELL WEATHER CLEAR COUNTY FULTON

R.C. HELDMAN TEMP. 40° TOWNSHIP CHESTERFIELD

SECTION 24

T 9 S R 2 E

TYPE MONUMENT _____ 1" IPIPE

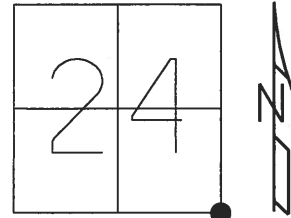
~~ON SURFACE~~ - BELOW _____ 13"

~~LEFT - C PAV'T - RIGHT~~ _____ ON

8' TO LT EDGE PAVEMENT

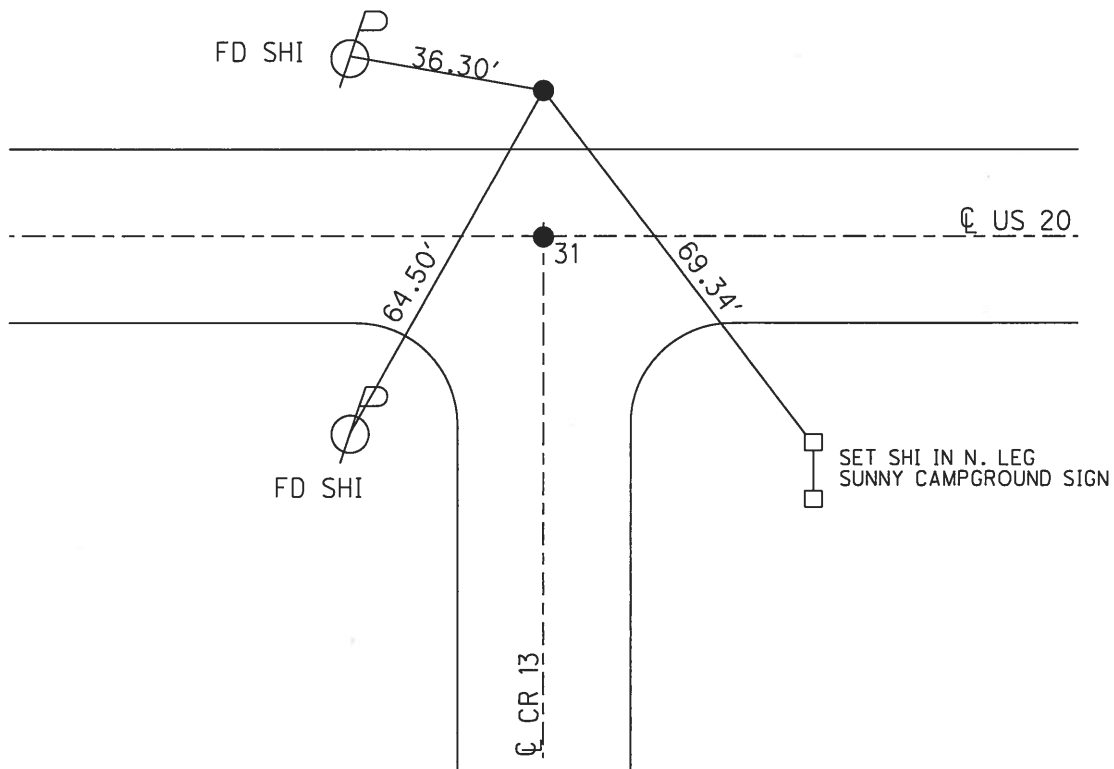
S.L.M. 833+70.19'

GRID: NORTHING: 733849.588 EASTING: 1527778.689



RECORD:
FD 1" IPIPE
13" DOWN
REFA31
9-22-15, JFO

31 TO 31A = 26.71'



O.D.O.T. DISTRICT 2 SURVEY OFFICE (USE ONLY)

PERSONNEL _____ REFERENCE NO. 31 A SHEET 6 OF 17
 NOTES ROUSOS DATE 5/29/09 ROUTE US 20
 H.C. HOMAN WEATHER CLEAR COUNTY FULTON
 R.C. ROUSOS TEMP. 69° TOWNSHIP CHESTERFIELD
 _____ SECTION 25
 _____ T 9 S R 2 E

TYPE MONUMENT IPIPE
 ON SURFACE - ~~BELOW~~ ON _____
~~LEFT~~ - Q PAV'T - ~~RIGHT~~ ON _____
 _____ TO _____ EDGE PAVEMENT
 S.L.M. 833+69.77
 GRID: NORTHING: 733849.537 EASTING: 1527778.586

