

O.D.O.T. DISTRICT 2 SURVEY OFFICE (USE ONLY)

PERSONNEL

REFERENCE NO. 11 C

SHEET 24 OF 29

NOTES MOSER DATE 9/10/09  
 H.C. GOLDBERG WEATHER SUNNY  
 R.C. PIETKOWSKI TEMP. 75°

ROUTE SR 18  
 COUNTY HENRY  
 TOWNSHIP PLEASANT  
 SECTION 1

DWG BY NIESE PID NO PID

T 3 N R 6 E

TYPE MONUMENT SM.R.R.SPIKE

ON SURFACE - ~~BELOW~~ ON

OFFSET  $\varnothing$  PAVEMENT 3.3' ~~±~~ : RT

8.1' TO RT EDGE PAVEMENT

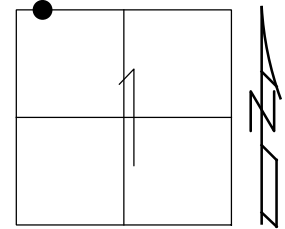
STATION: 267+43

HORZ.DATUM: NAD83(2011)

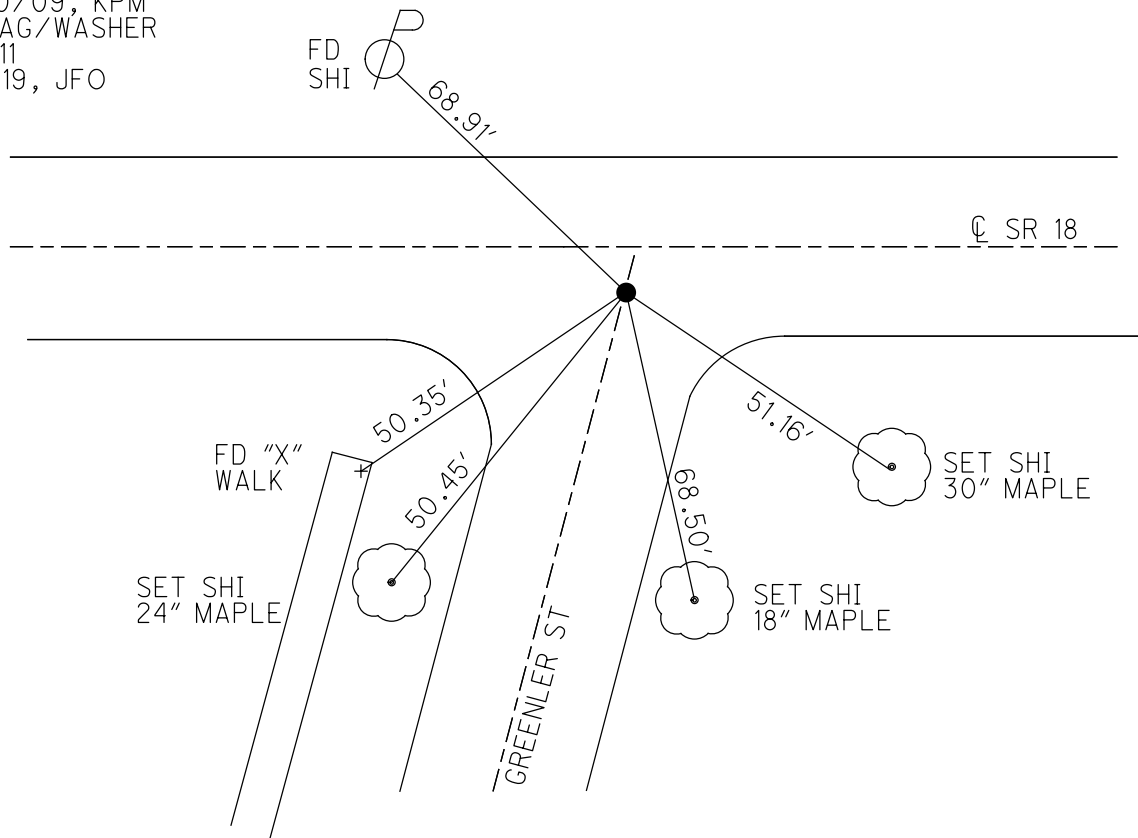
GEOID: 2012A

GRID: NORTHING: 582364.878

EASTING: 1520256.704



RECORD:  
 FD SM.R.R.SPIKE  
 SV123  
 9/10/09, KPM  
 SET MAG/WASHER  
 10/20/09, KPM  
 FD MAG/WASHER  
 REFC11  
 8/6/19, JFO



O.D.O.T. DISTRICT 2 SURVEY OFFICE (USE ONLY)

PERSONNEL

REFERENCE NO. 11C

SHEET 24 OF 29

NOTES MOSER

DATE 09-10-09

ROUTE SR 18

H.C. GOLDBERG

WEATHER SUNNY

COUNTY HENRY

R.C. PIETKOWSKI

TEMP. +75°

TOWNSHIP PLEASANT

SECTION 1

T 3 N R 6 E

TYPE MONUMENT FD. SPIKE

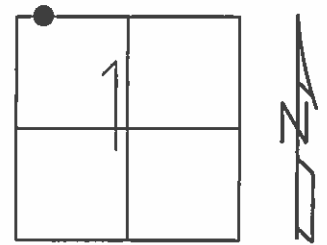
ON SURFACE - ~~BELOW~~ ON SURFACE

LEFT - ~~Q PAV'T~~ - RIGHT 3.3'

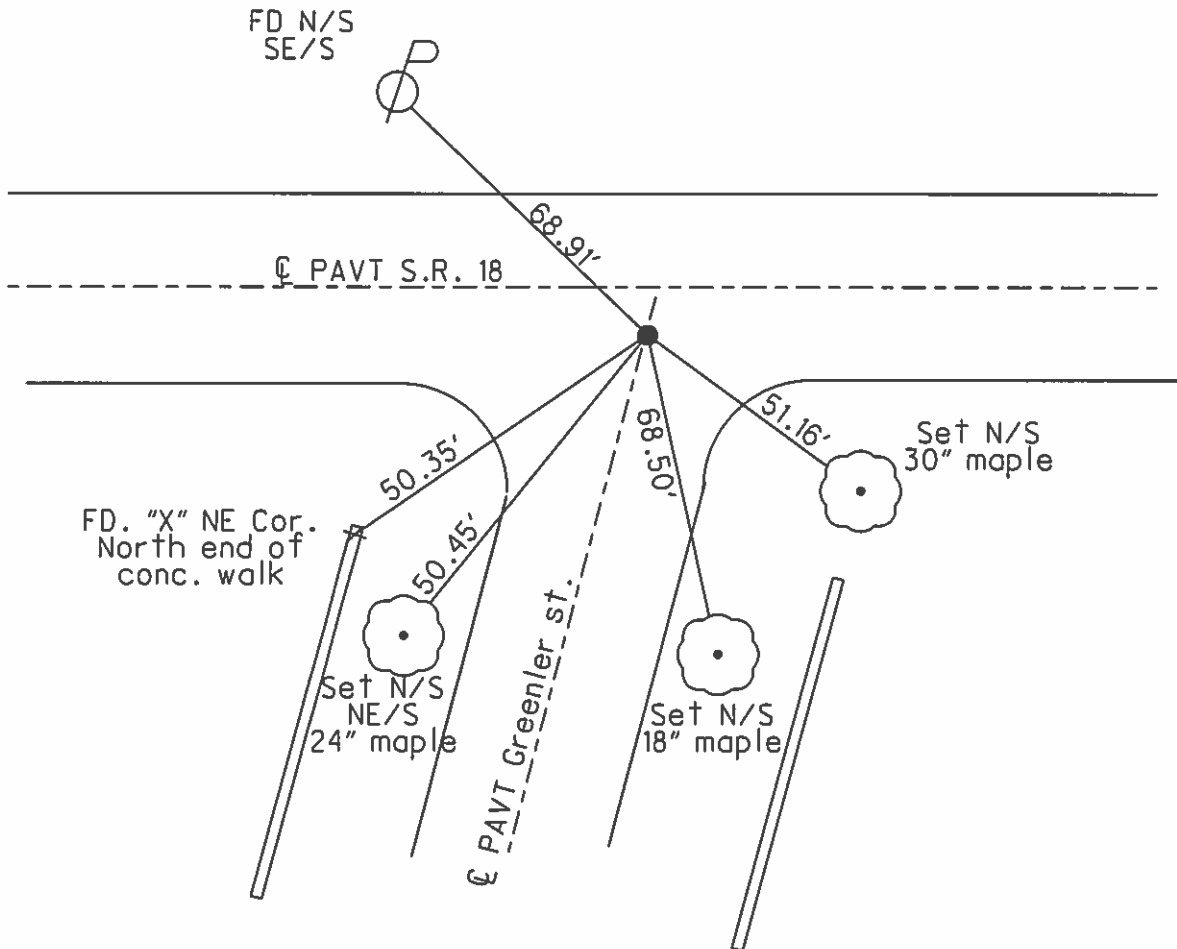
8.1 TO RT EDGE PAVEMENT

S.L.M. 267+43 (SV123)

Grid: Northing: 582364.806 Easting: 1520256.635



SET MAG/WASHER  
10-20-09 KPM



# O.D.O.T. DISTRICT 2 SURVEY OFFICE

PERSONNEL

REFERENCE NO. 11-A

SHEET      OF     

NOTES Sackman

H.C. BARNHISEL

R.C. LOEHRKE

DATE 8-12-87

WEATHER CLEAR

TEMP. +72

ROUTE SR 18

COUNTY HENRY

TOWNSHIP PLEASANT

SECTION 1

T. 3 N. R. 6 E

TYPE MONUMENT P.K./WASHER

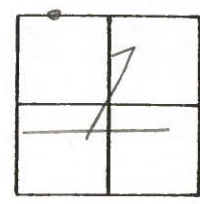
ON SURFACE - BELOW YES

LEFT - ~~C~~ PAVT. - RIGHT 3.8

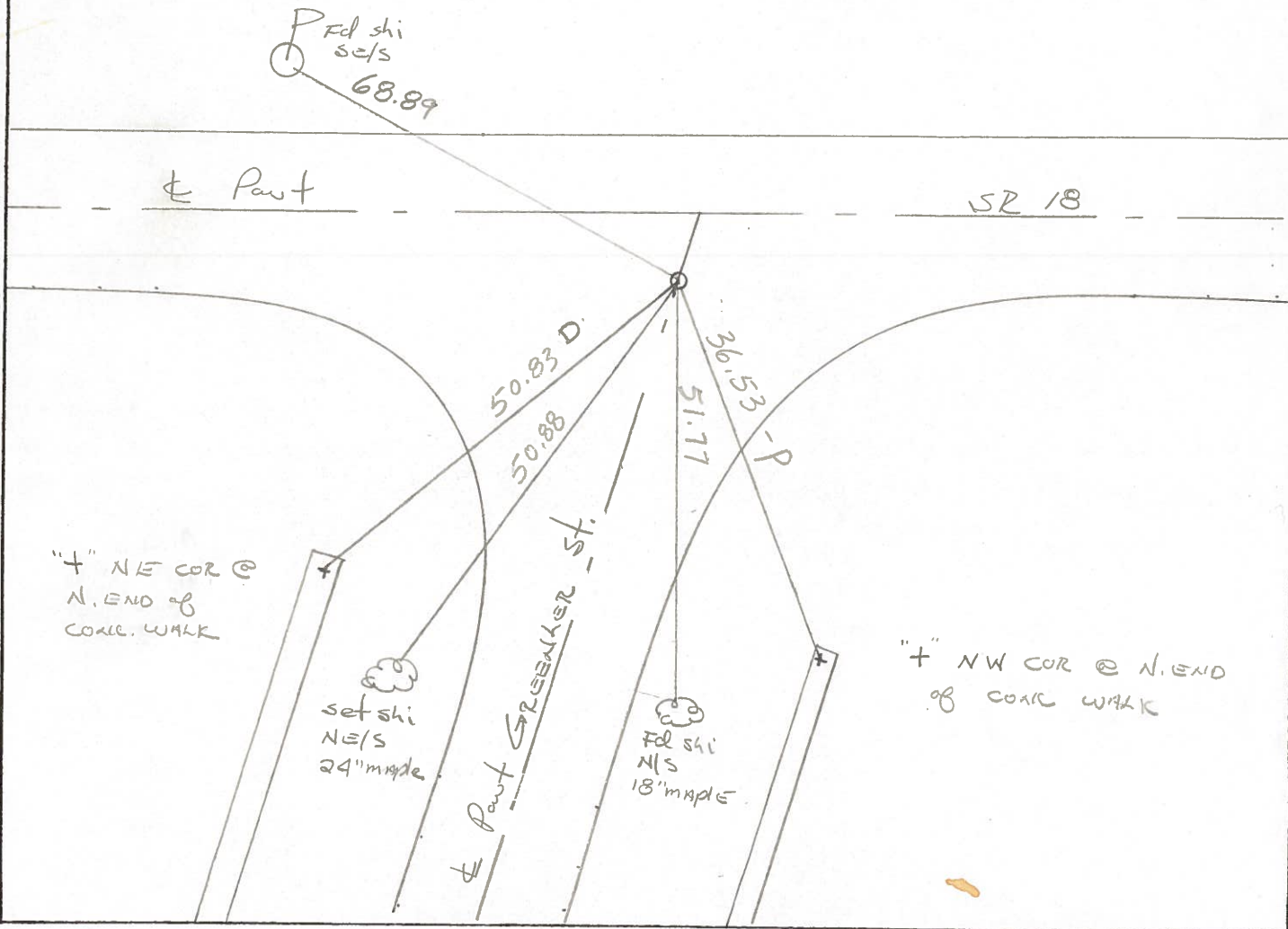
13.6 TO LT EDGE PAVEMENT

S.L.M. 267+43 5.07

Set small  
RR SPK  
8-20-87  
SWK



11C



County HENRY S.R. 18

Date 5-28-81 8-20-81

Township Pleasant-in Holgate Village

Weather PART Cloudy Clear

Section 1

Temp. +60° +80°

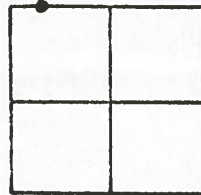
T3N, R6E

Personnel S. Hoffmann

C. Loehrke

J. Householder

11C



Source UNKNOWN

PROJECT STA. ± 267+62

Set P.K. & washer

Fd. P.K. 1" Below Surface

15.8 ~~16.5~~ to N. Edge Pavt.

3.6 5 of 2 "



NEW Pole  
Shiner sets

~~OLD Pole~~  
~~Shiner sets~~

F.P. 2

68.85-D

39.64-D

SR 18

50.79-D

50.94-D

36.57-D

68.85-D

CUT "+"  
NE CORNER  
@ N. END of  
CONC. WALK

SHINER NYS  
18" MAPLE

GREENER ST.

SHINER NYS  
24" MAPLE

CUT "+" IN  
N.W. CORNER @  
N. END of  
CONC. WALK



PERSONNEL TITLE PERSONNEL TITLE

COUNTY Henry

DATE 22 Oct. 74

Stone

S. R. #18

WEATHER Cold

Denno

Curtis

SEC. Holgate

TEMP. 35°

DESCRIPTION

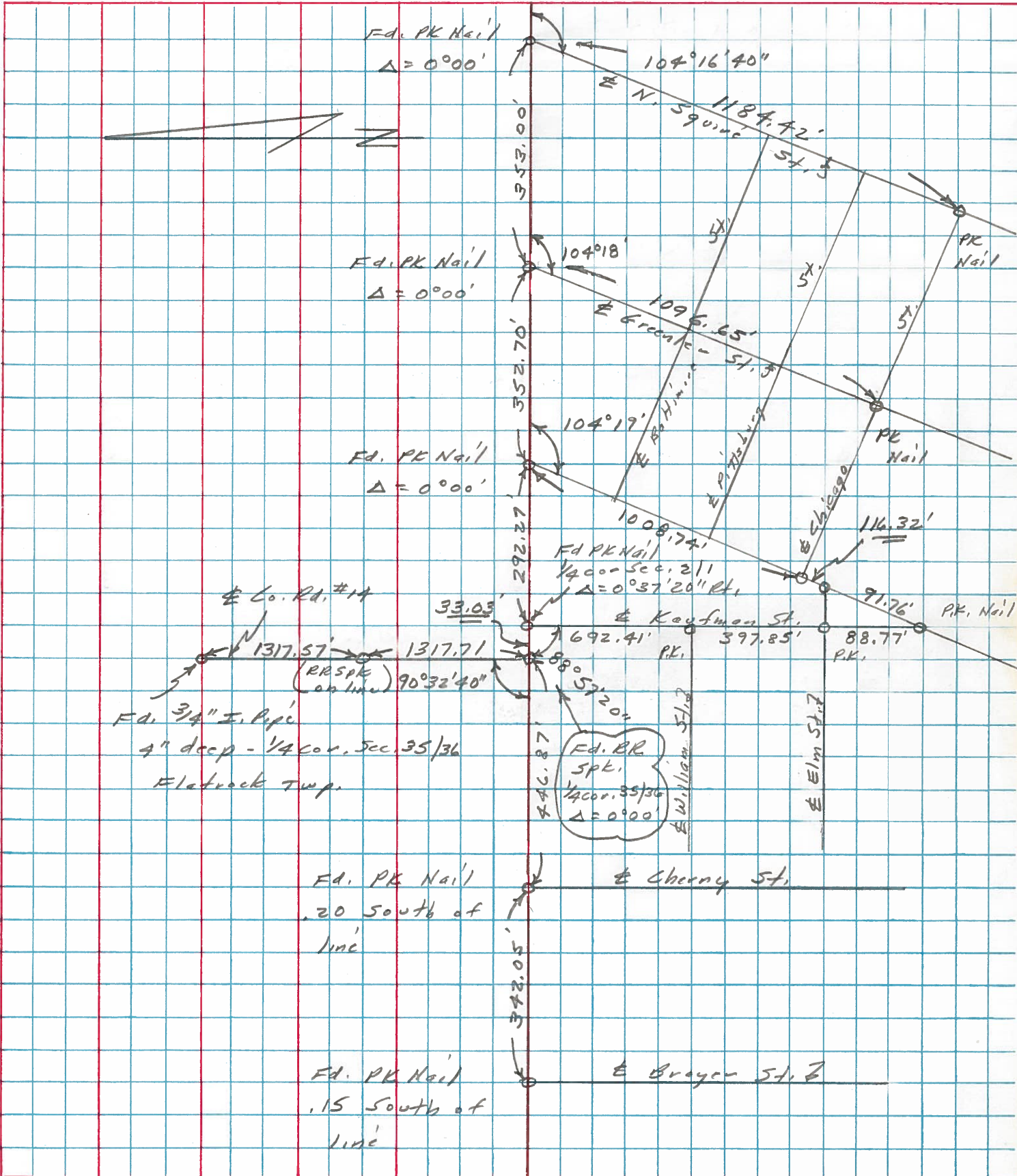
LEFT

Alignment

CENTER LINE

RIGHT

JOB NO.





PERSONNEL TITLE PERSONNEL TITLE  
 W. Denno \_\_\_\_\_  
 R. Micholok \_\_\_\_\_  
 D. Curtis \_\_\_\_\_

COUNTY Henry DATE Aug 20, '7  
 S. R. 18 WEATHER Warm

SEC. \_\_\_\_\_ TEMP. 90°

DESCRIPTION References To Control Points JOB NO. 02999(10)

