

O.D.O.T. DISTRICT 2 SURVEY OFFICE (USE ONLY)

PERSONNEL

REFERENCE NO. 12

SHEET 13 OF 33

NOTES RHOADES
 H.C. O'DONNELL
 R.C. RHOADES

DATE 7/20/21
 WEATHER SUNNY
 TEMP. 80°

ROUTE SR 105
 COUNTY OTTAWA
 TOWNSHIP HARRIS
 SECTION 23
 T 6 N R 13 E

DWG BY RHOADES PID CHIP SEAL

TYPE MONUMENT HOLE

~~ON SURFACE~~ - BELOW 2"

OFFSET ¢ PAVEMENT ON _____ LT : RT

10.5' TO RT EDGE PAVEMENT

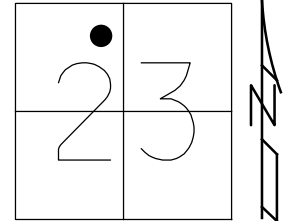
STATION: 38+70

HORIZ.DATUM: NAD83 2011

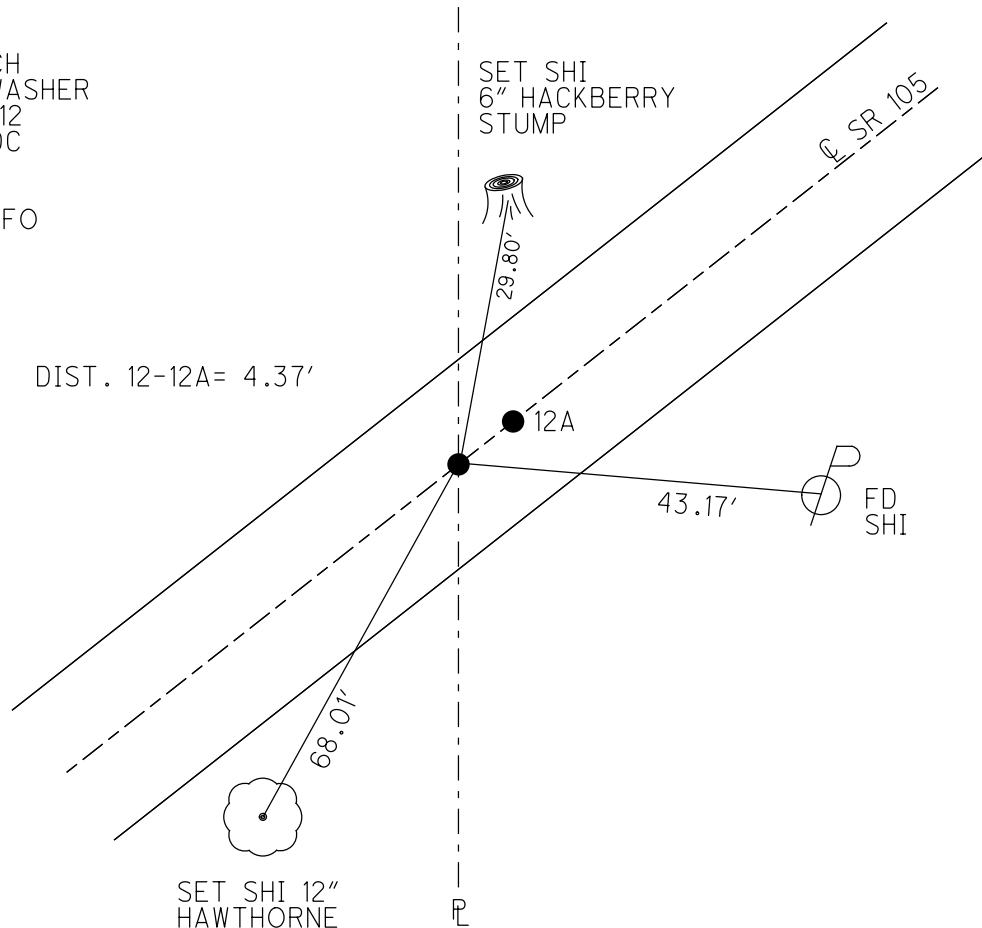
GEOID: NAVD88 2018

GRID: NORTHING: 657910.611

EASTING: 1740804.152



RECORD: P.O.T.
 SET P.K./WASHER
 9/28/94, MB
 FD LG.R.R.SPIKE
 3" DOWN
 OTTREF13
 5/3/13, DCH
 SET MAG/WASHER
 FINREFOTT12
 7/11/13, SDC
 FD HOLE
 REF12
 7/20/21, JFO



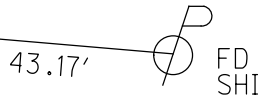
DIST. 12-12A= 4.37'

SET SHI
 6" HACKBERRY
 STUMP



29.80'

12A



43.17'

FD
 SHI

68.01'

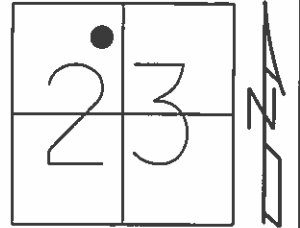


SET SHI 12"
 HAWTHORNE

O.D.O.T. DISTRICT 2 SURVEY OFFICE (USE ONLY)

PERSONNEL	REFERENCE NO. <u>12</u>	SHEET <u>13</u> OF <u>33</u>
NOTES <u>HOMAN</u>	DATE <u>5/3/13</u>	ROUTE <u>SR 105</u>
H.C. <u>HOMAN</u>	WEATHER <u>CLOUDY</u>	COUNTY <u>OTTAWA</u>
R.C. <u>ROUSOS</u>	TEMP. <u>65°</u>	TOWNSHIP <u>HARRIS</u>
		SECTION <u>23</u>
		T <u>6</u> N R <u>13</u> E

TYPE MONUMENT LG.R.R.SPIKE
~~ON SURFACE~~ - BELOW 3"
 LEFT - CL PAV'T - RIGHT ON
10.5' TO RT EDGE PAVEMENT
 S.L.M. 38+70



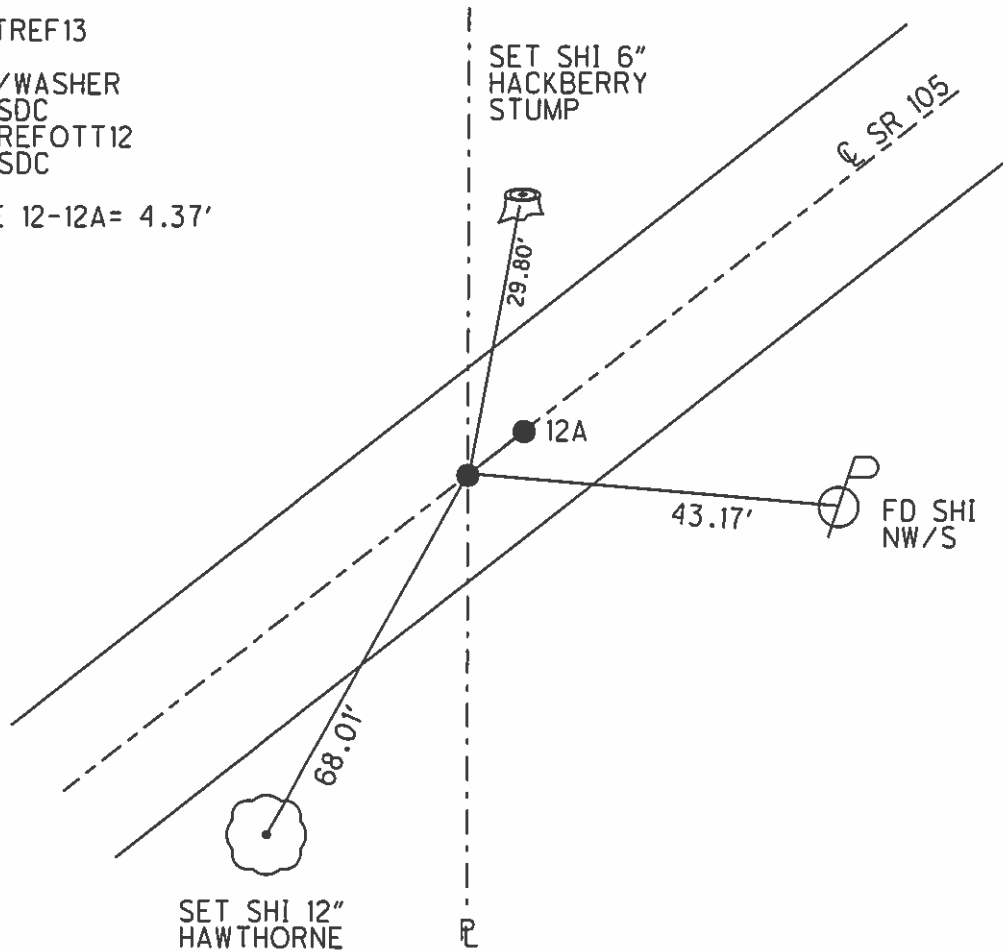
Grid: Northing: 657910.685 Easting: 1740804.072

RECORD: P.O.T.
 RESET P.K./WASHER
 9/28/94, MB

FD P.K.
 GPS, OTTREF13

SET MAG/WASHER
 7/9/13, SDC
 GPS, FINREFOTT12
 7/11/13, SDC

DISTANCE 12-12A = 4.37'



O.D.O.T. DISTRICT 2 SURVEY OFFICE

PERSONNEL

REFERENCE NO. 12

SHEET 9 OF 26

NOTES BARNHISEL

H.C. CORDES

DATE 9-28-94

ROUTE 105

R.C. SLOUAK

WEATHER Sunny - Windy

COUNTY OTTAWA

TEMP. +55°

TOWNSHIP HARRIS

SECTION 23

T6 N R 13 E

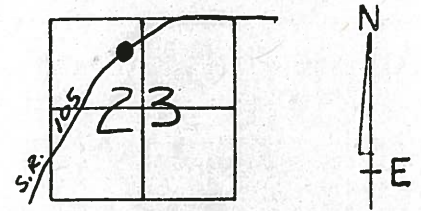
TYPE MONUMENT Lg RR Spk

~~ON~~ SURFACE - BELOW 6"

~~SET~~ - C PAV'T. - ~~SET~~ yes

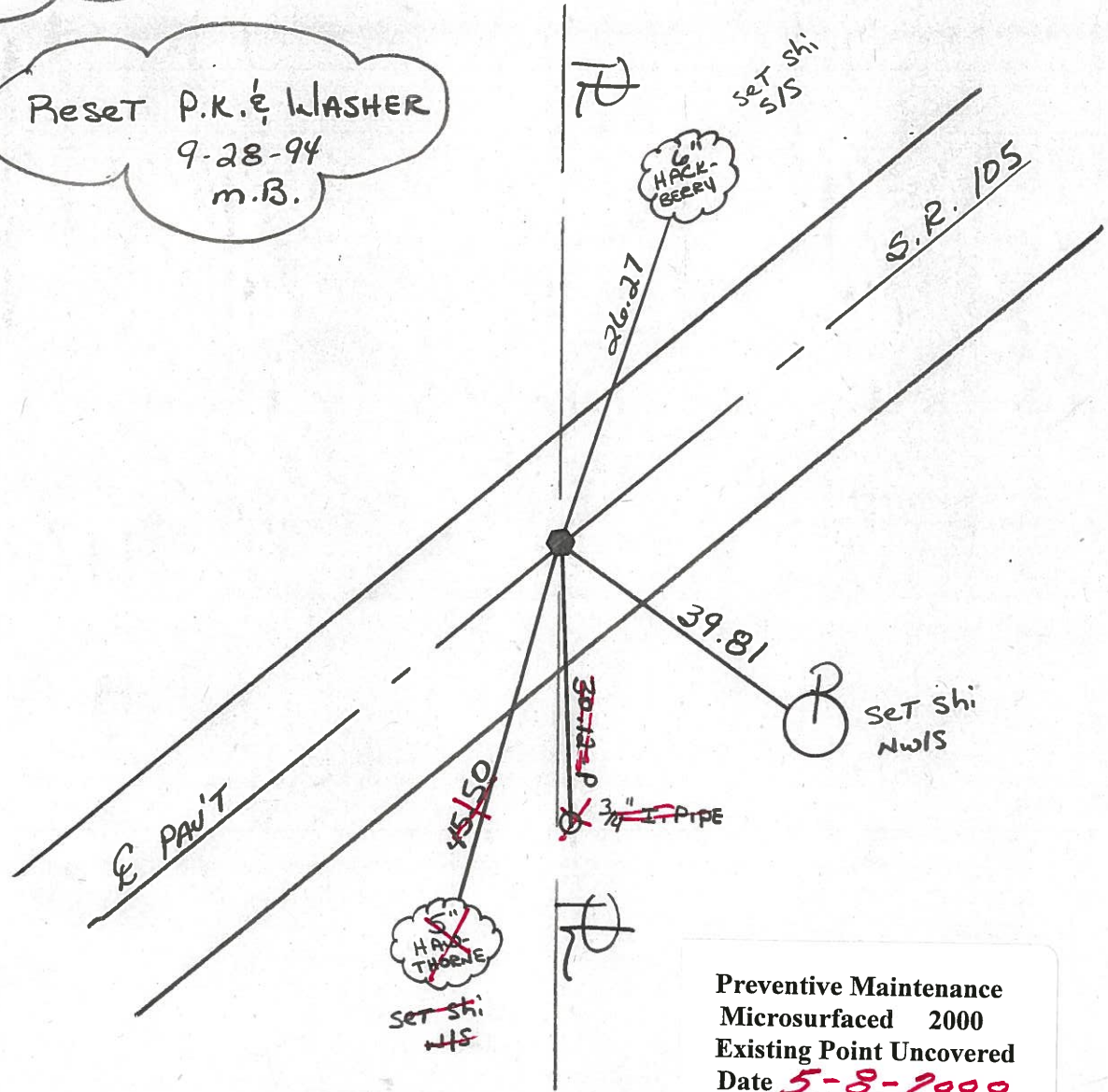
10.5 TO RT EDGE PAVEMENT

S.L.M. 38+70



Record : P.O.T.

Reset P.K. & WASHER
9-28-94
m.B.



Preventive Maintenance
Microsurfaced 2000
Existing Point Uncovered
Date 5-8-2000

PERSONNEL TITLE PERSONNEL TITLE

COUNTY Ottawa

DATE 8-5-74

S. R. 105

WEATHER Sunny

SEC 14 & 23

TEMP. 75°

DESCRIPTION

Harris Twp.

JOB NO.

