

O.D.O.T. DISTRICT 2 SURVEY OFFICE (USE ONLY)

PERSONNEL _____ REFERENCE NO. 1 SHEET 1 OF 40

NOTES ABNER DATE 10/18/21 ROUTE SR 15
 H.C. AUBLE WEATHER CLEAR COUNTY WILLIAMS
 R.C. ABNER TEMP. 52° TOWNSHIP MADISON

DWG BY RHOADES PID 95786 SECTION 9
 T 9 S R 2 W

TYPE MONUMENT MONBOX W/ 3/4" IPIN

ON SURFACE - ~~BELOW~~ ON

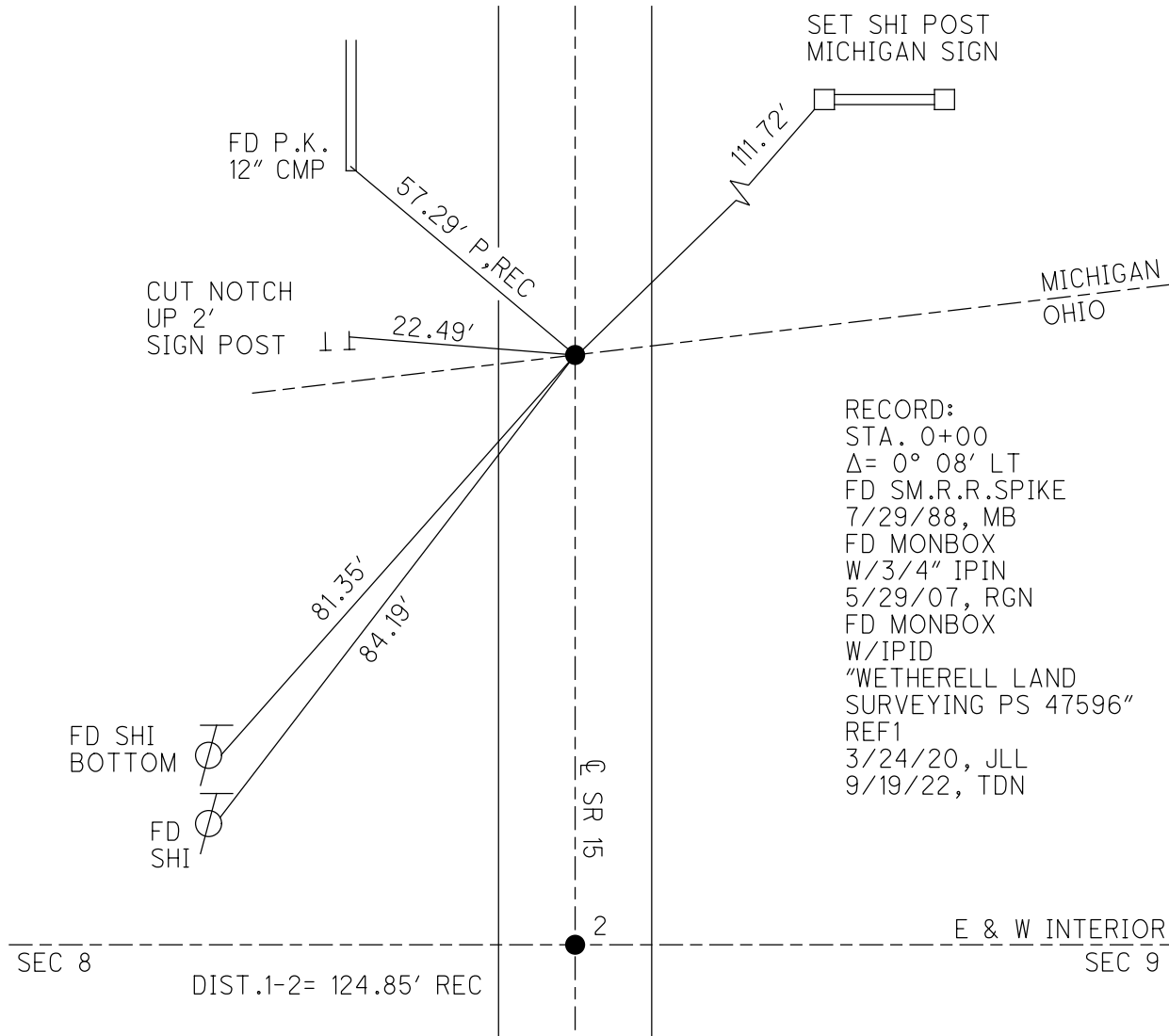
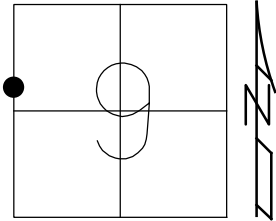
OFFSET Q PAVEMENT 0.5' ~~LT~~ : RT

12.5' TO LT EDGE PAVEMENT

STATION: 0+00

HORZ. DATUM: NAD83 2011 GEOID: NAVD88 2012B

GRID: NORTHING: 748247.899 EASTING: 1407806.648

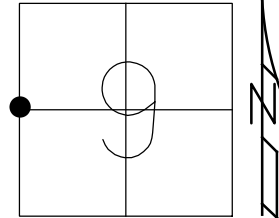


RECORD:
 STA. 0+00
 $\Delta = 0^\circ 08' LT$
 FD SM.R.R. SPIKE
 7/29/88, MB
 FD MONBOX
 W/3/4" IPIN
 5/29/07, RGN
 FD MONBOX
 W/IPID
 "WETHERELL LAND
 SURVEYING PS 47596"
 REF1
 3/24/20, JLL
 9/19/22, TDN

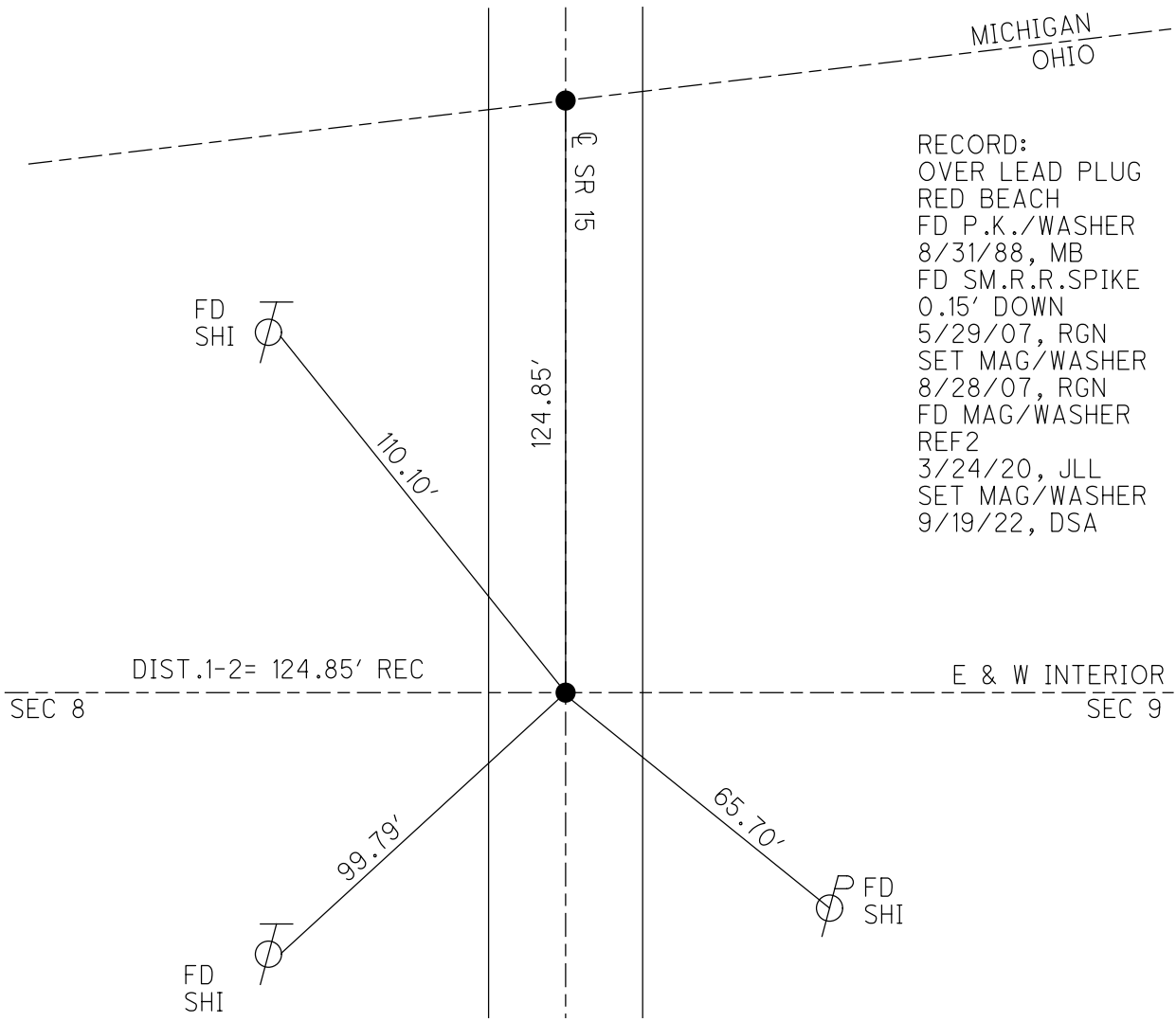
O.D.O.T. DISTRICT 2 SURVEY OFFICE (USE ONLY)

PERSONNEL _____ REFERENCE NO. 2 SHEET 2 OF 40
 NOTES ABNER DATE 10/18/21 ROUTE SR 15
 H.C. AUBLE WEATHER CLEAR COUNTY WILLIAMS
 R.C. ABNER TEMP. 52° TOWNSHIP MADISON
 DWG BY RHOADES PID 95786 SECTION 9
 T 9 S R 2 W

TYPE MONUMENT MAG/WASHER
 ON SURFACE - ~~BELOW~~ ON _____
 OFFSET C PAVEMENT 0.7' ~~LT~~ : RT
11.1' TO RT EDGE PAVEMENT
 STATION: 1+24.78



HORIZ.DATUM: NAD83 2011 GEOID: NAVD88 2012B
 GRID: NORTHING: 748123.191 EASTING: 1407802.386

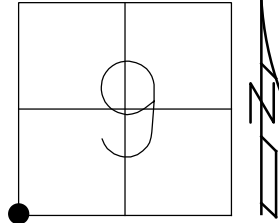


O.D.O.T. DISTRICT 2 SURVEY OFFICE (USE ONLY)

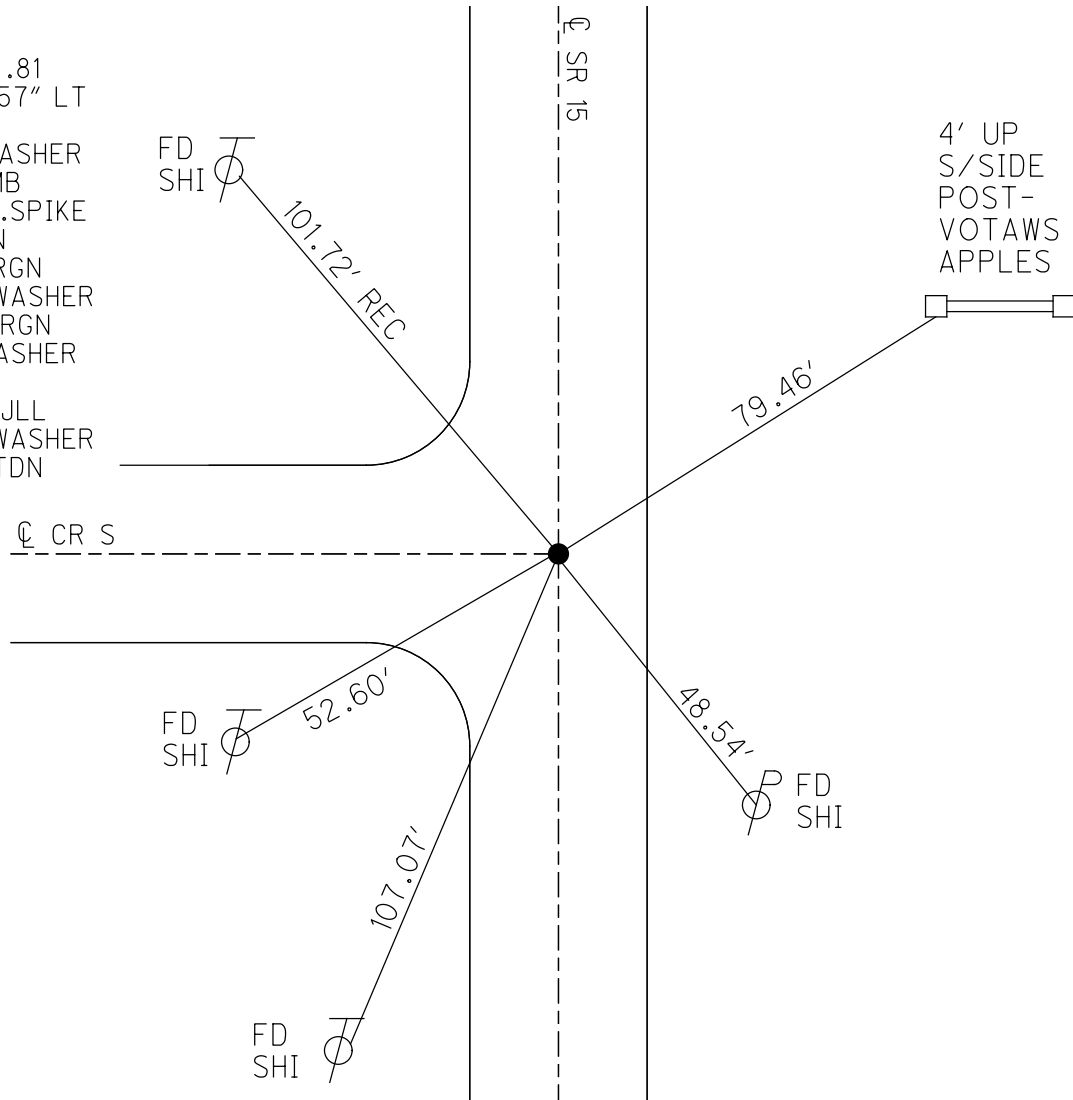
PERSONNEL _____ REFERENCE NO. 3 SHEET 3 OF 40
 NOTES ABNER DATE 10/18/21 ROUTE SR 15
 H.C. AUBLE WEATHER CLEAR COUNTY WILLIAMS
 R.C. ABNER TEMP. 55° TOWNSHIP MADISON
 DWG BY RHOADES PID 95786 SECTION 9
 T 9 S R 2 W

TYPE MONUMENT MAG/WASHER
 ON SURFACE - ~~BELOW~~ ON
 OFFSET Q PAVEMENT 0.8' LT : RT
13.1' TO LT EDGE PAVEMENT
 STATION: 27+83.83

HORZ.DATUM: NAD83 2011 GEOID: NAVD88 2012B
 GRID: NORTHING: 745465.311 EASTING: 1407723.638



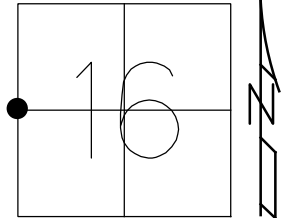
RECORD:
 STA.27+83.81
 $\Delta = 0^\circ 18' 57''$ LT
 1956
 FD P.K./WASHER
 8-31-88, MB
 FD SM.R.R.SPIKE
 0.15' DOWN
 5/29/17, RGN
 SET MAG/WASHER
 8/28/07, RGN
 FD MAG/WASHER
 REF3
 3/24/20, JLL
 SET MAG/WASHER
 9/19/22, TDN



O.D.O.T. DISTRICT 2 SURVEY OFFICE (USE ONLY)

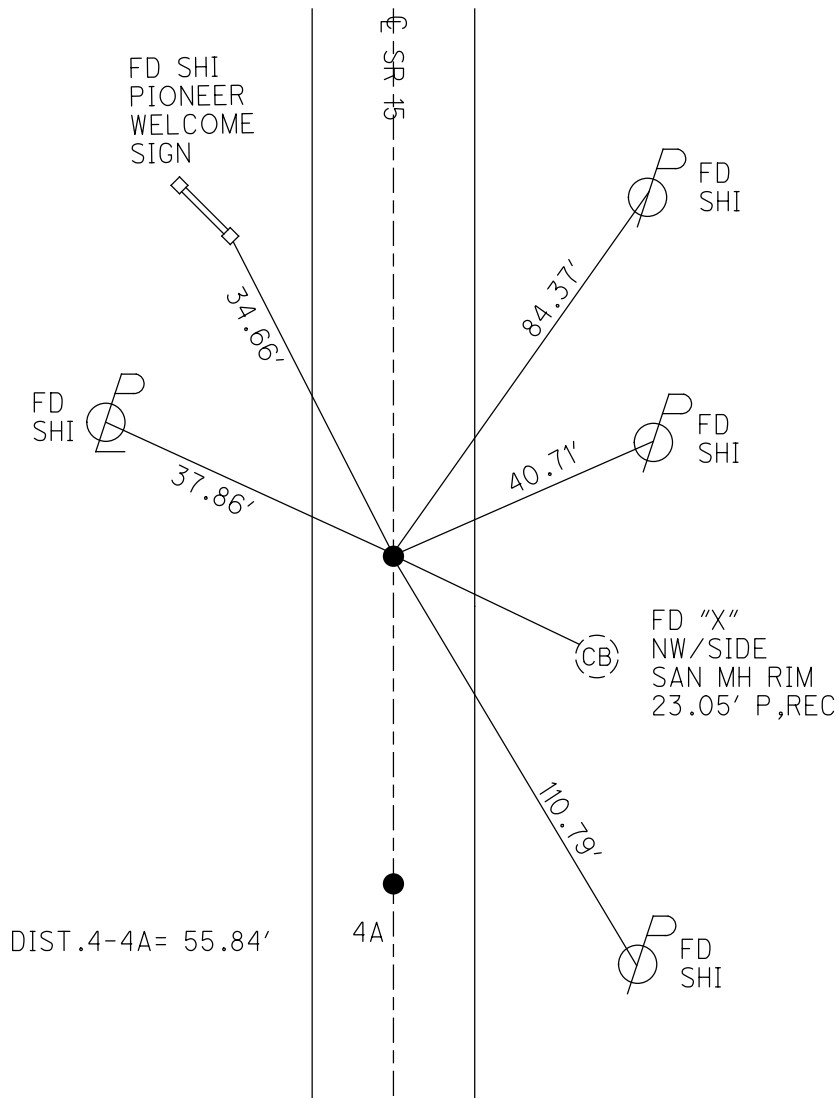
PERSONNEL _____ REFERENCE NO. 4 SHEET 4 OF 40
 NOTES ABNER DATE 10/18/21 ROUTE SR 15
 H.C. AUBLE WEATHER CLEAR COUNTY WILLIAMS
 R.C. ABNER TEMP. 55° TOWNSHIP MADISON
 DWG BY RHOADES PID 95786 SECTION 16
 T 9 S R 2 W

TYPE MONUMENT MAG/WASHER
 ON SURFACE - ~~BELOW~~ ON
 OFFSET Q PAVEMENT ON LT : RT
11.6' TO LT EDGE PAVEMENT
 STATION: 54+30.99



HORZ.DATUM: NAD83 2011 GEOID: NAVD88 2012B
 GRID: NORTHING: 742818.923 EASTING: 1407659.285

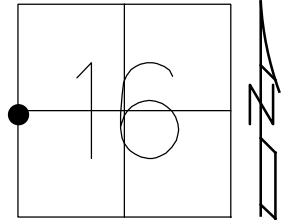
RECORD:
 STA.54+31.52
 $\Delta = 0^\circ 13' RT$
 1956
 FD P.K./WASHER
 8/31/88, MB
 5/29/07, RGN
 SET MAG/WASHER
 8/28/07, RGN
 FD MAG/WASHER
 REF4
 3/24/20, JLL
 SET MAG/WASHER
 9/19/22, DSA



O.D.O.T. DISTRICT 2 SURVEY OFFICE (USE ONLY)

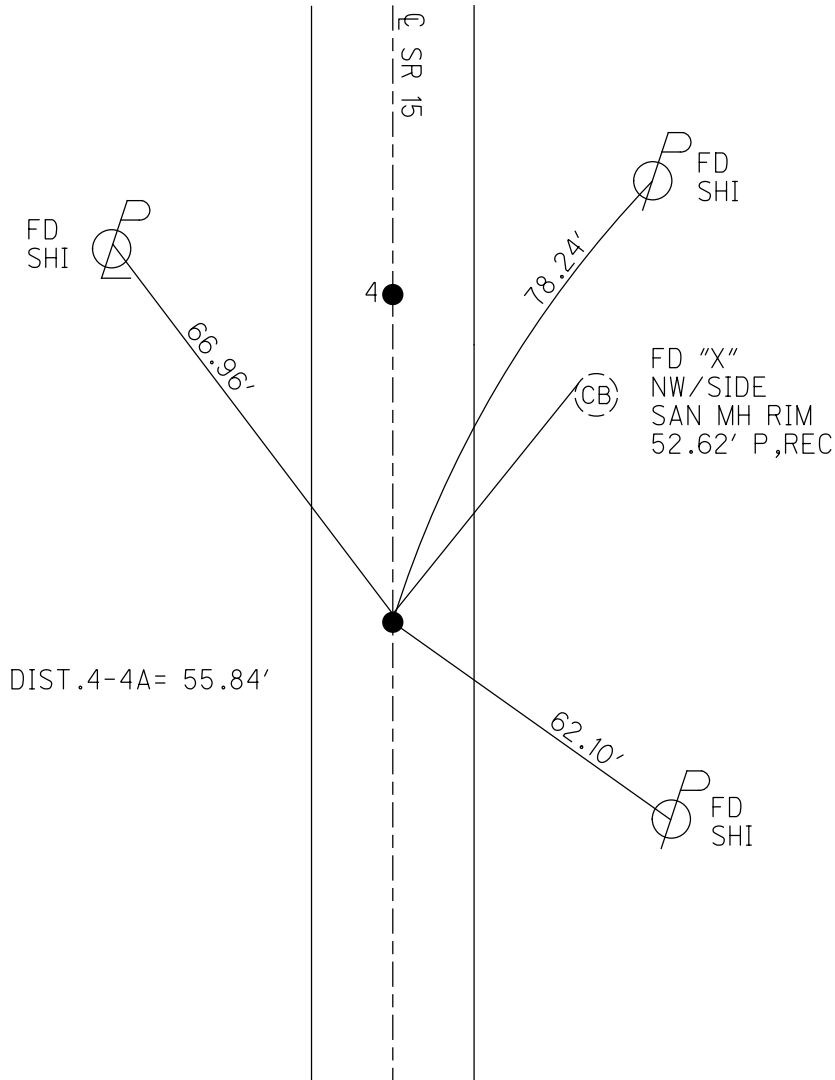
PERSONNEL _____ REFERENCE NO. 4 A SHEET 5 OF 40
 NOTES ABNER DATE 10/18/21 ROUTE SR 15
 H.C. AUBLE WEATHER CLEAR COUNTY WILLIAMS
 R.C. ABNER TEMP. 55° TOWNSHIP MADISON
 DWG BY RHOADES PID 95786 SECTION 16
 T 9 S R 2 W

TYPE MONUMENT P.K./WASHER
~~ON SURFACE~~ - BELOW 3"
 OFFSET \odot PAVEMENT 0.3' ~~LT~~ : RT
11.6' TO LT EDGE PAVEMENT
 STATION: 54+86.85



HORZ.DATUM: NAD83 2011 GEOID: NAVD88 2012B
 GRID: NORTHING: 742763.091 EASTING: 1407657.719

RECORD:
 FD P.K./WASHER
 8/31/88, MB
 5/29/07, RGN
 SET MAG/WASHER
 8/28/07, RGN
 FD P.K.NAIL
 3" DOWN
 REFA4
 3/24/20, JLL
 SET MAG/WASHER
 9/19/22, DSA

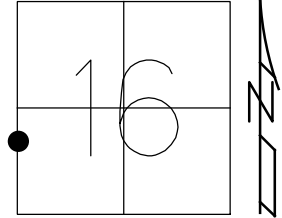


DIST.4-4A= 55.84'

O.D.O.T. DISTRICT 2 SURVEY OFFICE (USE ONLY)

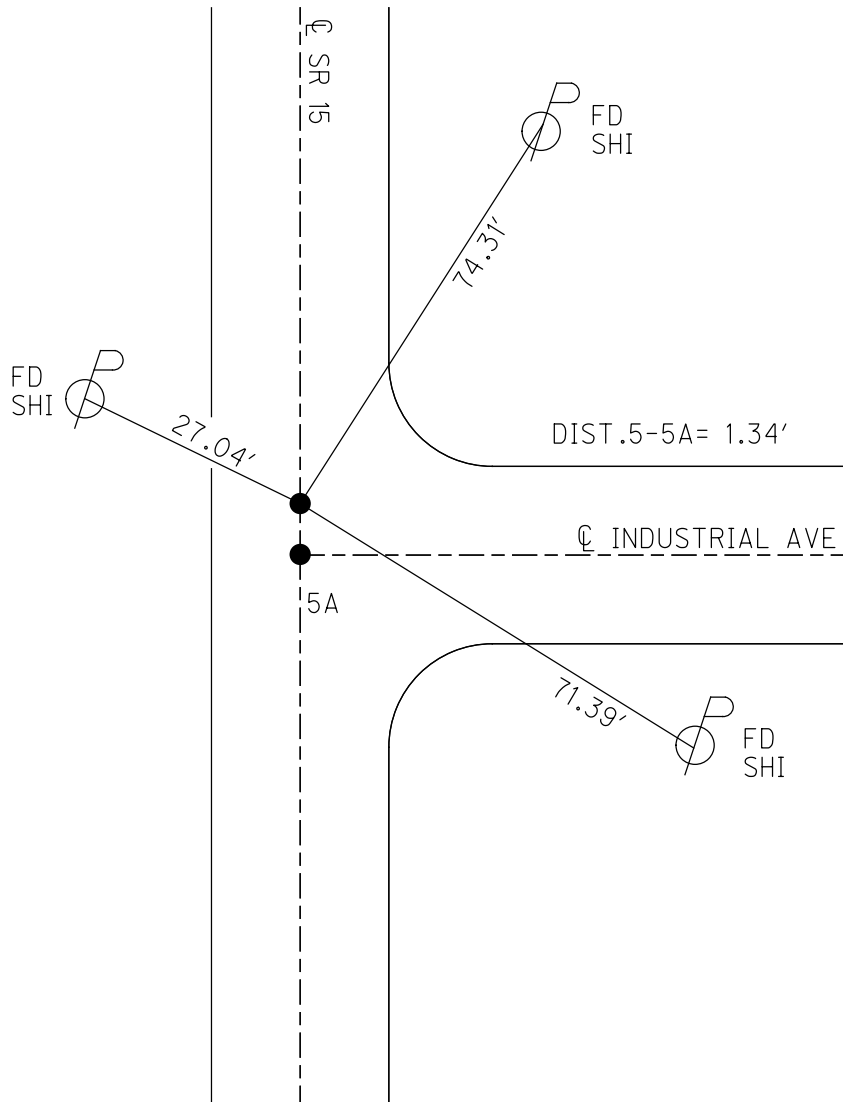
PERSONNEL _____ REFERENCE NO. 5 SHEET 6 OF 40
 NOTES ABNER DATE 10/18/21 ROUTE SR 15
 H.C. AUBLE WEATHER CLEAR COUNTY WILLIAMS
 R.C. ABNER TEMP. 63° TOWNSHIP MADISON
 _____ SECTION 16
 DWG BY RHOADES PID 95786 T 9 S R 2 W

TYPE MONUMENT P.K.SHANK
 ON SURFACE - ~~BELOW~~ ON
 OFFSET 14.1' TO LT EDGE PAVEMENT
 STATION: 57+83.69



HORZ.DATUM: NAD83 2011 GEOID: NAVD88 2012B
 GRID: NORTHING: 742466.364 EASTING: 1407649.440

RECORD:
 FD P.K./WASHER
 8/31/88, MB
 5/29/07, RGN
 SET MAG/WASHER
 8/28/07, RGN
 FD P.K.SHANK
 REF5
 3/24/20, JLL
 SET MAG/WASHER
 9/19/22, DSA



O.D.O.T. DISTRICT 2 SURVEY OFFICE (USE ONLY)

PERSONNEL

REFERENCE NO. 5 A

SHEET 7 OF 40

NOTES ABNER

DATE 10/18/21

ROUTE SR 15

H.C. AUBLE

WEATHER CLEAR

COUNTY WILLIAMS

R.C. ABNER

TEMP. 63°

TOWNSHIP MADISON

SECTION 16

DWG BY RHOADES

PID 95786

T 9 S R 2 W

TYPE MONUMENT MAG/WASHER

ON SURFACE - ~~BELOW~~ ON

OFFSET \varnothing PAVEMENT ON LT : RT

14.1' TO LT EDGE PAVEMENT

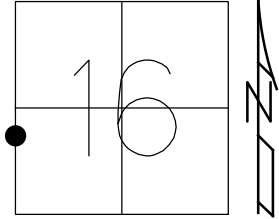
STATION: 57+85.03

HORZ.DATUM: NAD83 2011

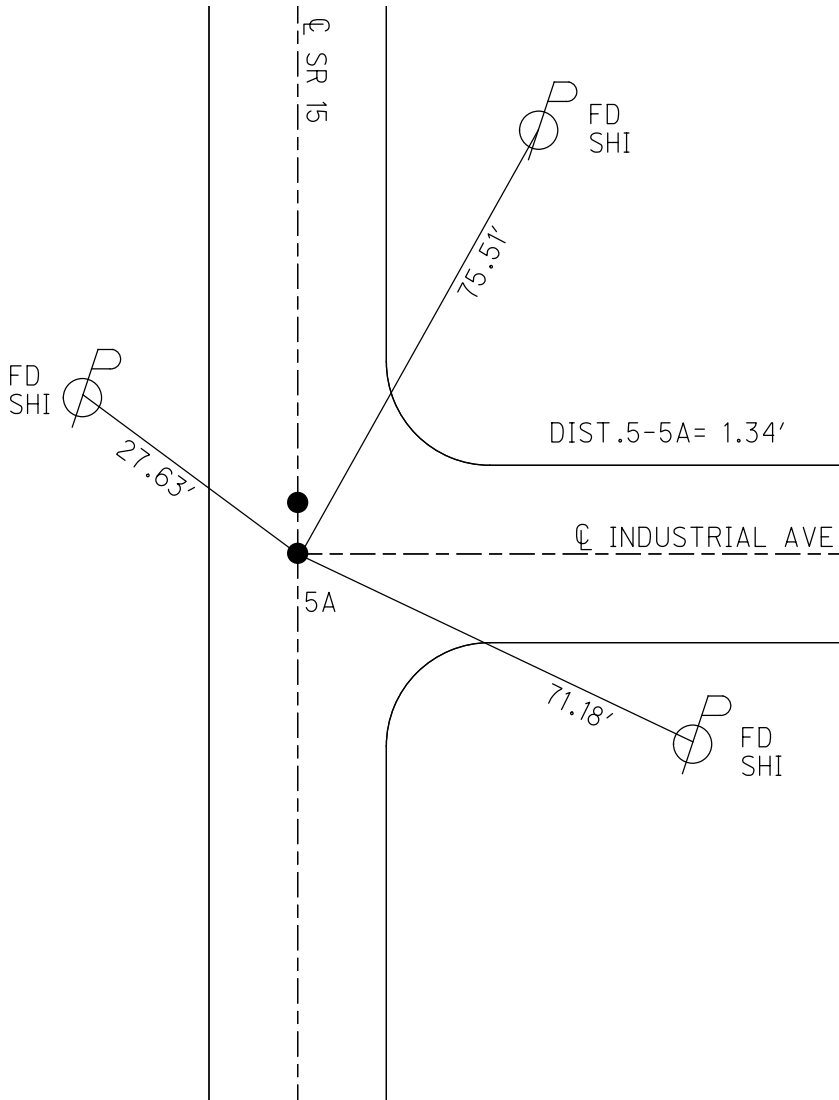
GEOID: NAVD88 2012B

GRID: NORTHING: 742465.028

EASTING: 1407649.247



RECORD:
FD P.K./WASHER
8/31/88, MB
FD MAG NAIL
5/29/07, RGN
SET MAG/WASHER
8/28/07, RGN
FD MAG/WASHER
REFA5
3/24/20, JLL
SET MAG/WASHER
9/19/22, DSA



O.D.O.T. DISTRICT 2 SURVEY OFFICE (USE ONLY)

PERSONNEL

REFERENCE NO. 6

SHEET 8 OF 40

NOTES ABNER

DATE 10/19/21

ROUTE SR 15

H.C. AUBLE

WEATHER SUNNY

COUNTY WILLIAMS

R.C. ABNER

TEMP. 55°

TOWNSHIP MADISON

DWG BY RHOADES

PID 95786

SECTION 16

T 9 S R 2 W

TYPE MONUMENT LG.R.R.SPIKE

~~ON SURFACE~~ - BELOW 2.5"

OFFSET \varnothing PAVEMENT ON LT : RT

- TO - EDGE PAVEMENT

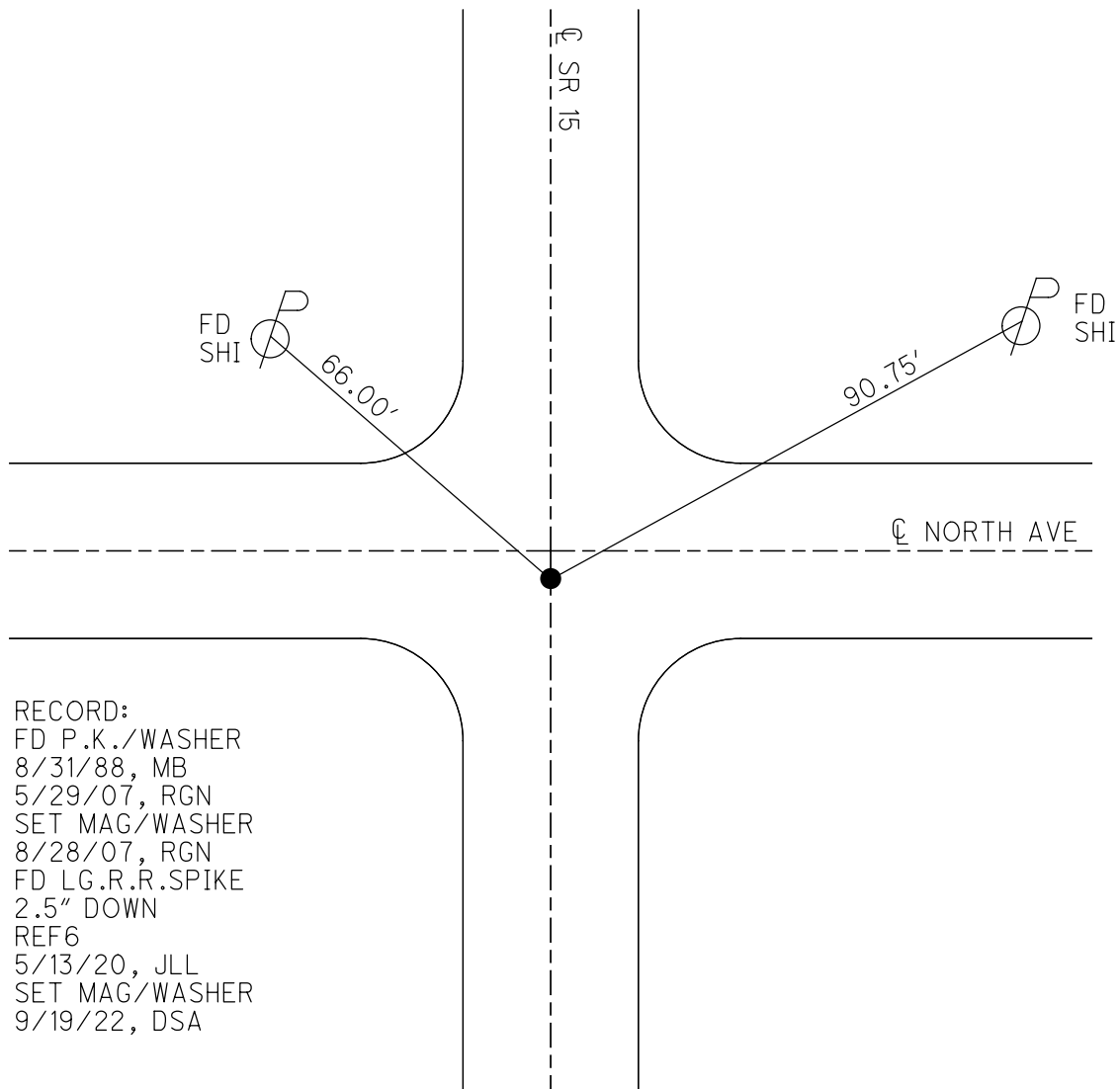
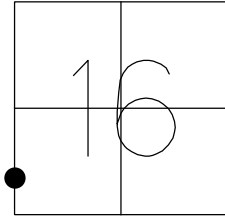
STATION: 73+06.91

HORZ.DATUM: NAD83 2011

GEOID: NAVD88 2012B

GRID: NORTHING: 740943.755

EASTING: 1407606.727

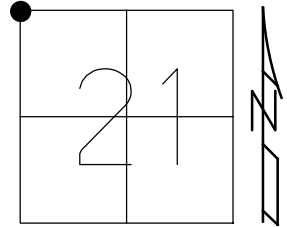


RECORD:
FD P.K./WASHER
8/31/88, MB
5/29/07, RGN
SET MAG/WASHER
8/28/07, RGN
FD LG.R.R.SPIKE
2.5" DOWN
REF6
5/13/20, JLL
SET MAG/WASHER
9/19/22, DSA

O.D.O.T. DISTRICT 2 SURVEY OFFICE (USE ONLY)

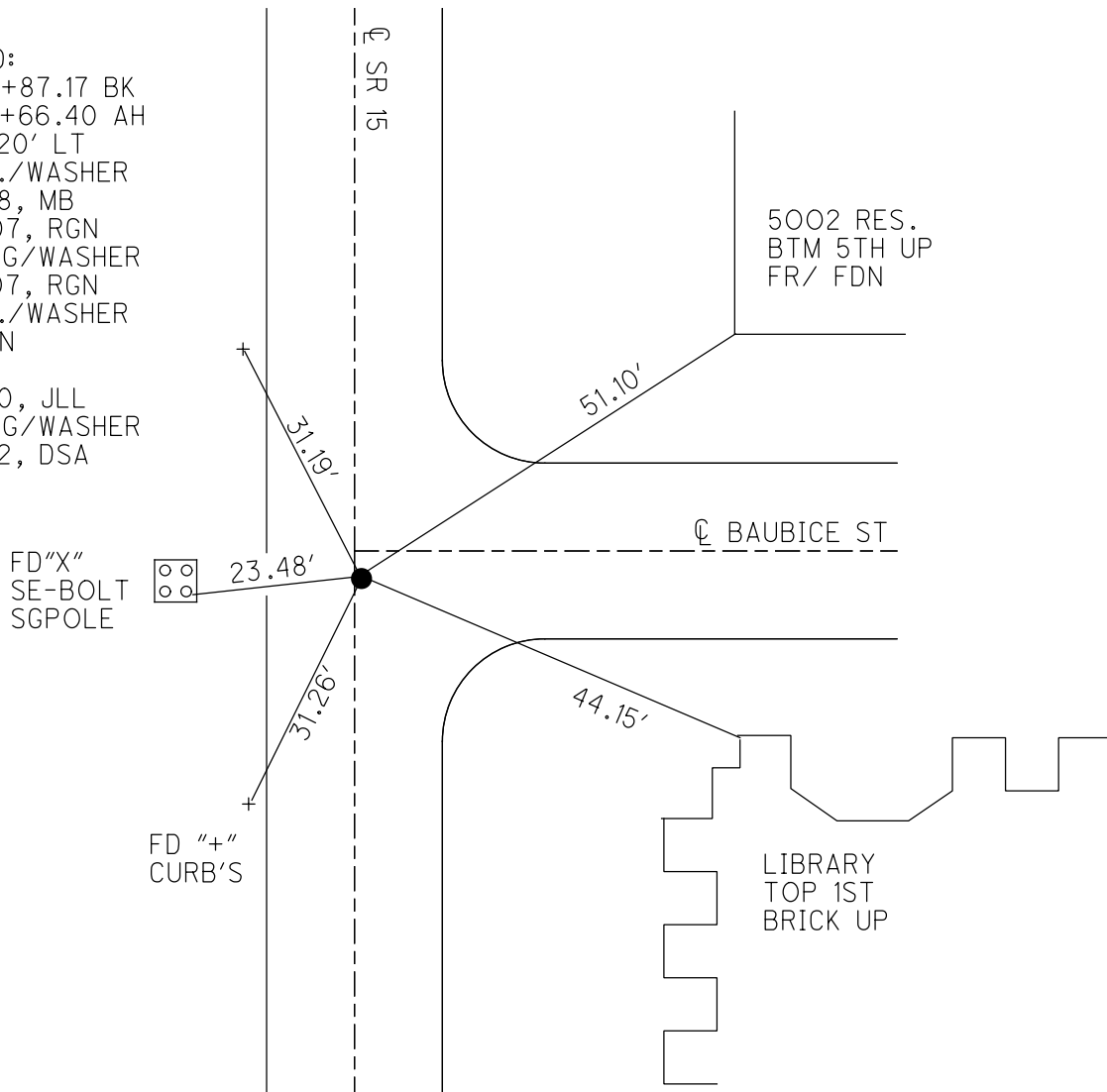
PERSONNEL _____ REFERENCE NO. 7 SHEET 9 OF 40
 NOTES ABNER DATE 10/19/21 ROUTE SR 15
 H.C. AUBLE WEATHER SUNNY COUNTY WILLIAMS
 R.C. ABNER TEMP. 55° TOWNSHIP MADISON
 DWG BY RHOADES PID 95786 SECTION 21
 T 9 S R 2 W

TYPE MONUMENT P.K./WASHER
~~ON SURFACE~~ - BELOW 2"
 OFFSET \odot PAVEMENT 1.5' LT : RT
21.6' TO RT EDGE PAVEMENT
 STATION: 80+86.68



HORIZ.DATUM: NAD83 2011 GEOID: NAVD88 2012B
 GRID: NORTHING: 740164.281 EASTING: 1407584.783

RECORD:
 STA.80+87.17 BK
 STA.83+66.40 AH
 $\Delta = 0^\circ 20'$ LT
 FD P.K./WASHER
 8/31/88, MB
 5/29/07, RGN
 SET MAG/WASHER
 8/28/07, RGN
 FD P.K./WASHER
 2" DOWN
 REF7
 5/13/20, JLL
 SET MAG/WASHER
 9/19/22, DSA



O.D.O.T. DISTRICT 2 SURVEY OFFICE (USE ONLY)

PERSONNEL

REFERENCE NO. 8

SHEET 10 OF 40

NOTES ABNER DATE 10/19/21
H.C. AUBLE WEATHER SUNNY
R.C. ABNER TEMP. 55°

ROUTE SR 15
COUNTY WILLIAMS
TOWNSHIP MADISON
SECTION 21

DWG BY RHOADES PID 95786

T 9 S R 2 W

TYPE MONUMENT MAG/WASHER

ON SURFACE - ~~BELOW~~ ON

OFFSET \varnothing PAVEMENT 0.98' LT : ~~RT~~

- TO - EDGE PAVEMENT

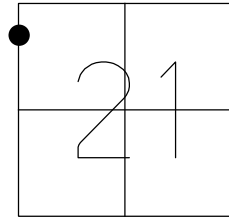
STATION: 84+97.72

HORZ.DATUM: NAD83 2011

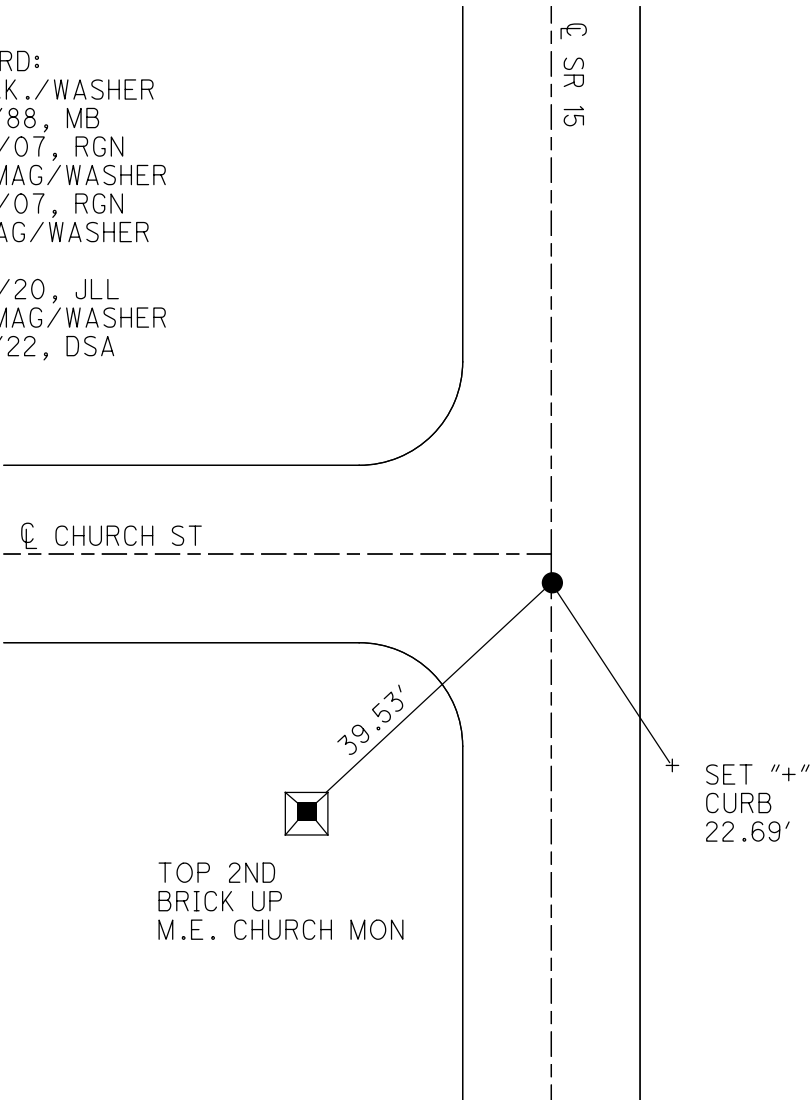
GEOID: NAVD88 2012B

GRID: NORTHING: 739753.324

EASTING: 1407576.610



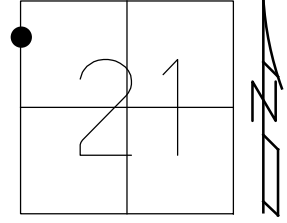
RECORD:
FD P.K./WASHER
8/31/88, MB
5/29/07, RGN
SET MAG/WASHER
8/28/07, RGN
FD MAG/WASHER
REF8
3/24/20, JLL
SET MAG/WASHER
9/19/22, DSA



O.D.O.T. DISTRICT 2 SURVEY OFFICE (USE ONLY)

PERSONNEL _____ REFERENCE NO. 9 SHEET 11 OF 40
 NOTES BARNHISEL DATE 8/4/88 ROUTE SR 15
 H.C. LOEHRKE WEATHER SUNNY COUNTY WILLIAMS
 R.C. REED TEMP. 95° TOWNSHIP MADISON
 _____ SECTION 21
 DWG BY RHOADES PID 95786 T 9 S R 2 W

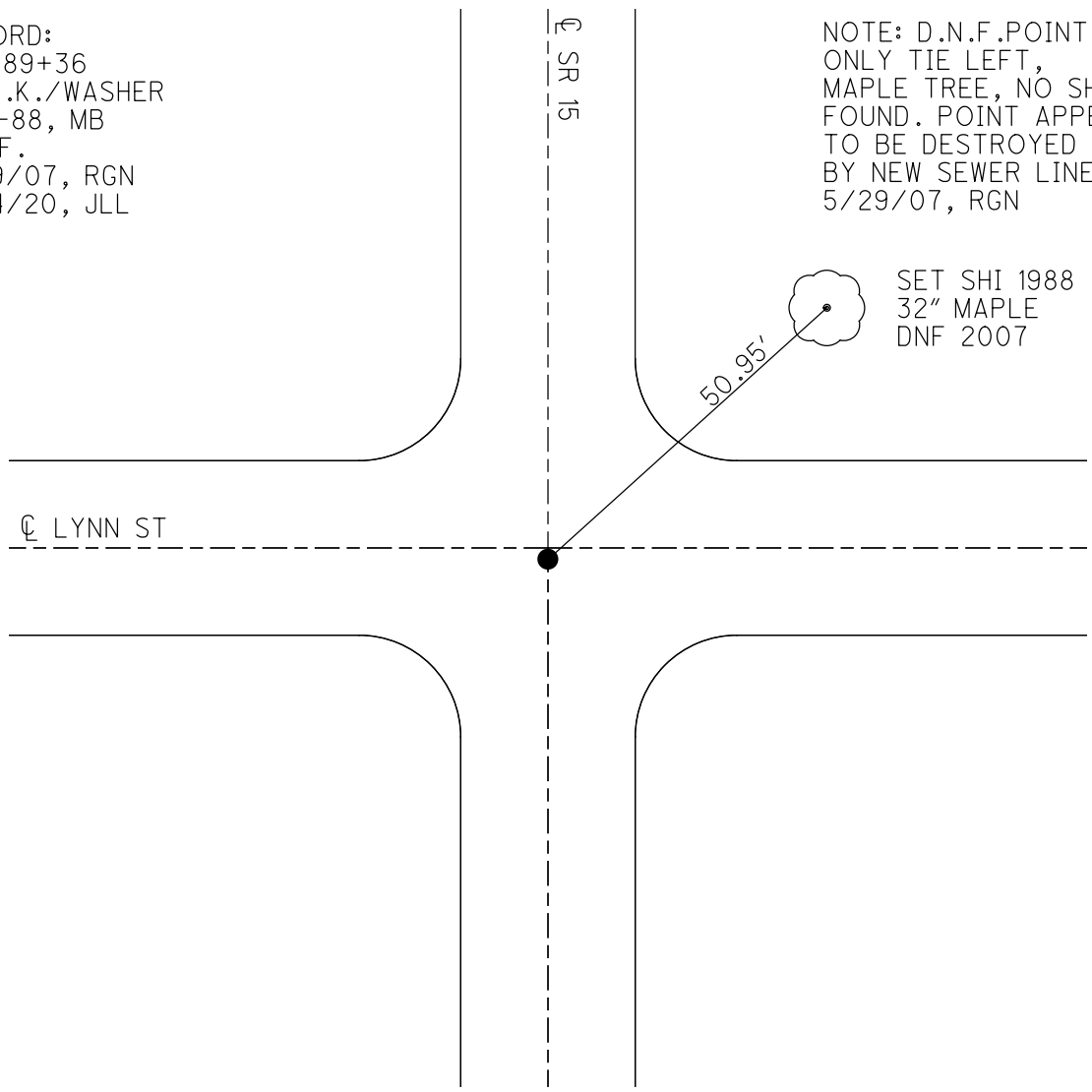
TYPE MONUMENT P.K./WASHER
 ON SURFACE - ~~BELOW~~ ON
 OFFSET \varnothing PAVEMENT ON LT : RT
- TO - EDGE PAVEMENT
 STATION: 89+36



HORIZ.DATUM: - GEOID: -
 GRID: NORTHING: - EASTING: -

RECORD:
 STA.89+36
 FD P.K./WASHER
 8-31-88, MB
 D.N.F.
 5/29/07, RGN
 3/24/20, JLL

NOTE: D.N.F.POINT
 ONLY TIE LEFT,
 MAPLE TREE, NO SHI
 FOUND. POINT APPEARS
 TO BE DESTROYED
 BY NEW SEWER LINE.
 5/29/07, RGN

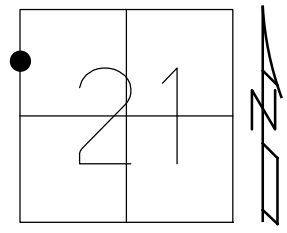


SET SHI 1988
 32" MAPLE
 DNF 2007

O.D.O.T. DISTRICT 2 SURVEY OFFICE (USE ONLY)

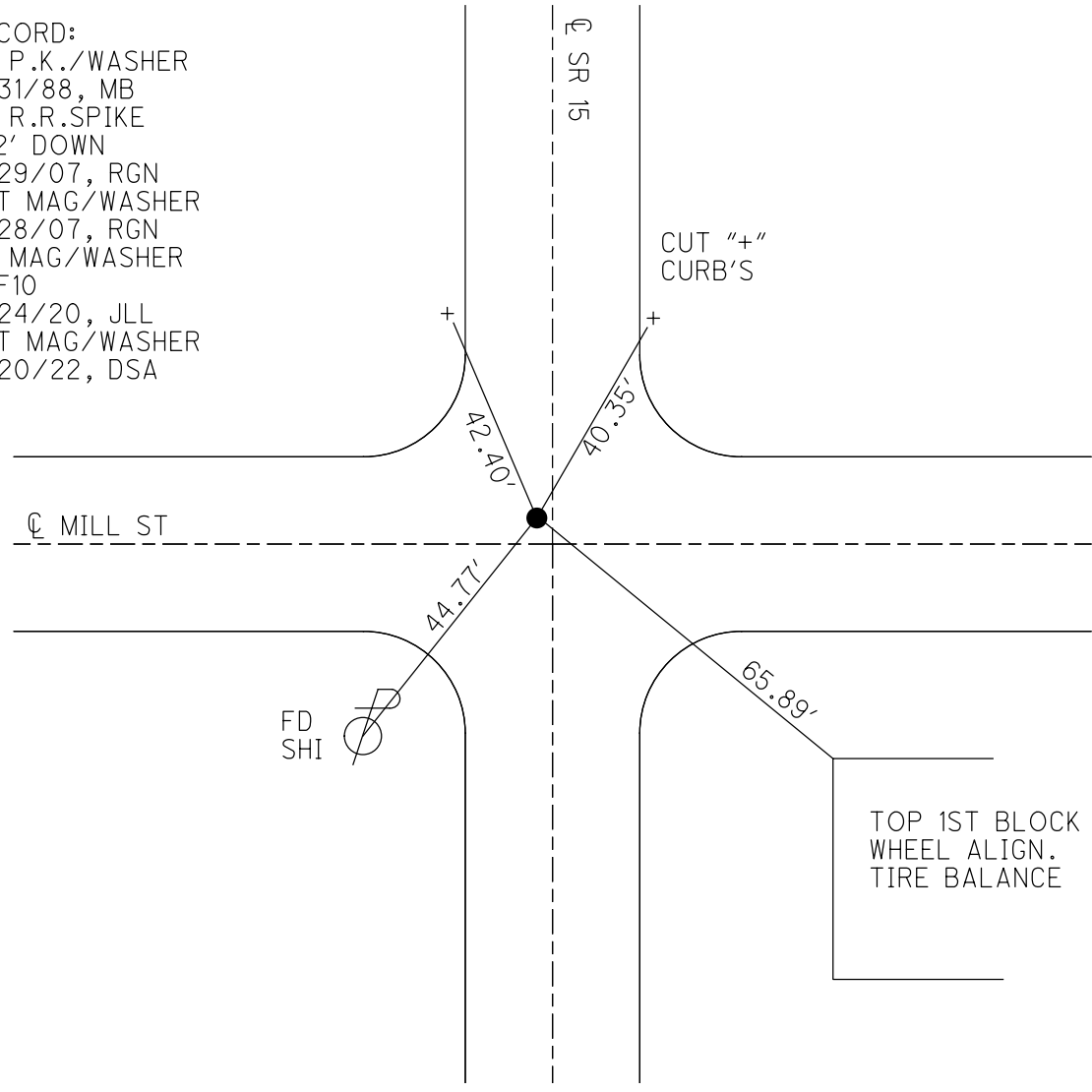
PERSONNEL _____ REFERENCE NO. 10 SHEET 12 OF 40
 NOTES MILLER DATE 9/20/21 ROUTE SR 15
 H.C. AUBLE WEATHER SUNNY COUNTY WILLIAMS
 R.C. NIESE TEMP. 64° TOWNSHIP MADISON
 DWG BY RHOADES PID 95786 SECTION 21
 T 9 S R 2 W

TYPE MONUMENT MAG/WASHER
 ON SURFACE - ~~BELOW~~ ON
 OFFSET \varnothing PAVEMENT ON LT : RT
- TO - EDGE PAVEMENT
 STATION: 94+48.22



HORIZ.DATUM: NAD83 2011 GEOID: NAVD88 2012B
 GRID: NORTHING: 738803.082 EASTING: 1407554.593

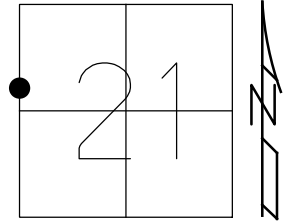
RECORD:
 FD P.K./WASHER
 8/31/88, MB
 FD R.R.SPIKE
 0.2' DOWN
 5/29/07, RGN
 SET MAG/WASHER
 8/28/07, RGN
 FD MAG/WASHER
 REF10
 3/24/20, JLL
 SET MAG/WASHER
 9/20/22, DSA



O.D.O.T. DISTRICT 2 SURVEY OFFICE (USE ONLY)

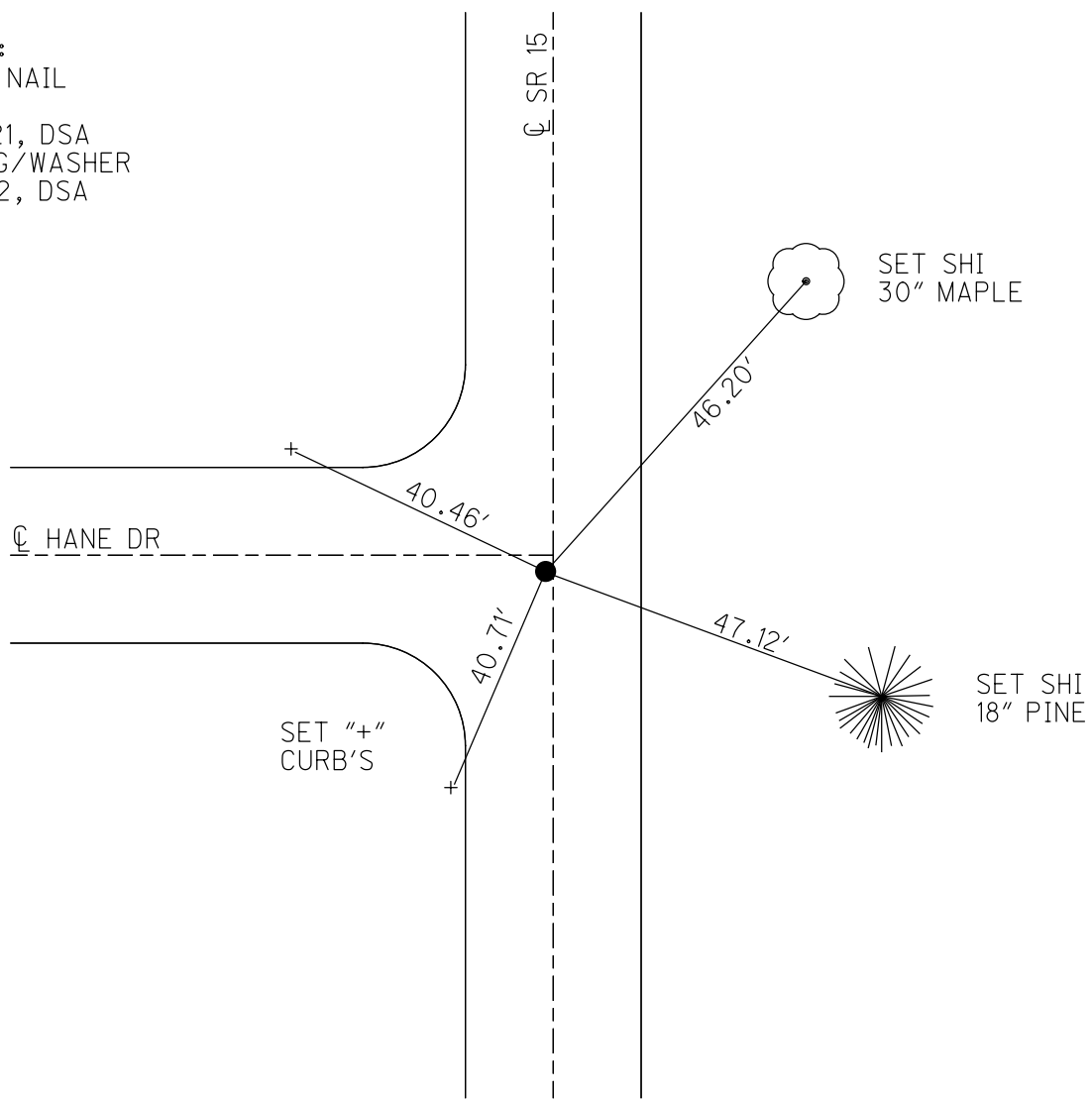
PERSONNEL _____ REFERENCE NO. 10 A SHEET 13 OF 40
 NOTES RHOADES DATE 10/26/21 ROUTE SR 15
 H.C. AUBLE WEATHER SUNNY COUNTY WILLIAMS
 R.C. RHOADES TEMP. 45° TOWNSHIP MADISON
 SECTION 21
 DWG BY RHOADES PID 95786 T 9 S R 2 W

TYPE MONUMENT MAG NAIL
 ON SURFACE - ~~BELOW~~ ON
 OFFSET ☉ PAVEMENT 0.5' LT : ~~RT~~
- TO - EDGE PAVEMENT
 STATION: 104+89.41



HORIZ.DATUM: NAD83 2011 GEOID: NAVD88 2012B
 GRID: NORTHING: 737762.151 EASTING: 1407531.154

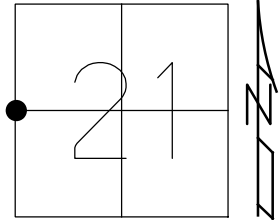
RECORD:
 FD MAG NAIL
 REFA10
 10/26/21, DSA
 SET MAG/WASHER
 9/20/22, DSA



O.D.O.T. DISTRICT 2 SURVEY OFFICE (USE ONLY)

PERSONNEL _____ REFERENCE NO. 11 SHEET 14 OF 40
 NOTES RHOADES DATE 10/26/21 ROUTE SR 15
 H.C. AUBLE WEATHER SUNNY COUNTY WILLIAMS
 R.C. RHOADES TEMP. 45° TOWNSHIP MADISON
 DWG BY RHOADES PID 95786 SECTION 21
 T 9 S R 2 W

TYPE MONUMENT MAG/WASHER
 ON SURFACE - ~~BELOW~~ ON
 OFFSET C PAVEMENT ON LT : RT
11.5' TO LT EDGE PAVEMENT
 STATION: 107+38.13



HORZ. DATUM: NAD83 2011 GEOID: NAVD88 2012B
 GRID: NORTHING: 737513.491 EASTING: 1407525.911

COR. BOTTOM
BRICK
ABOVE FDN



21.78' +

97.20' REC

C SR 15

SET "+"
CURB'S

+ 22.51'

FRONT COR.
STONE HOUSE

105.43' REC

RECORD:

STA. 110+18.16

$\Delta = 0^\circ 2' 30''$

1956

FD P.K./WASHER

8/31/88, MB

FD MAG NAIL

5/29/07, RGN

SET MAG/WASHER

8/28/07, RGN

FD MAG/WASHER

REF11

3/24/20, JLL

SET MAG/WASHER

9/20/22, DSA

27.67'



FD "+"
W-SW BOLT
FLANGE
HYDRANT

53.03'



1' UP
BEVELED EDGE
SIGN POST
DOLLAR GEN.

O.D.O.T. DISTRICT 2 SURVEY OFFICE (USE ONLY)

PERSONNEL

REFERENCE NO. 12

SHEET 15 OF 40

NOTES NIESE
 H.C. AUBLE
 R.C. PARADYZ

DATE 4/28/22
 WEATHER SUNNY
 TEMP. 38°

ROUTE SR 15
 COUNTY WILLIAMS
 TOWNSHIP MADISON
 SECTION 28
 T 9 N R 2 W

DWG BY BARRIERE PID NO PID

TYPE MONUMENT MAG NAIL/WASHER

ON SURFACE - BELOW ON

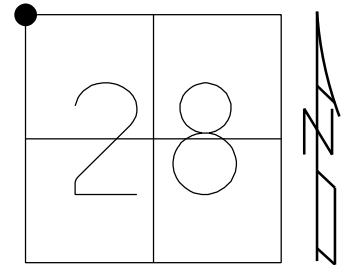
OFFSET $\text{\textcircled{C}}$ PAVEMENT 1' RT LT : RT
TO EDGE PAVEMENT

STATION: 133+92.88

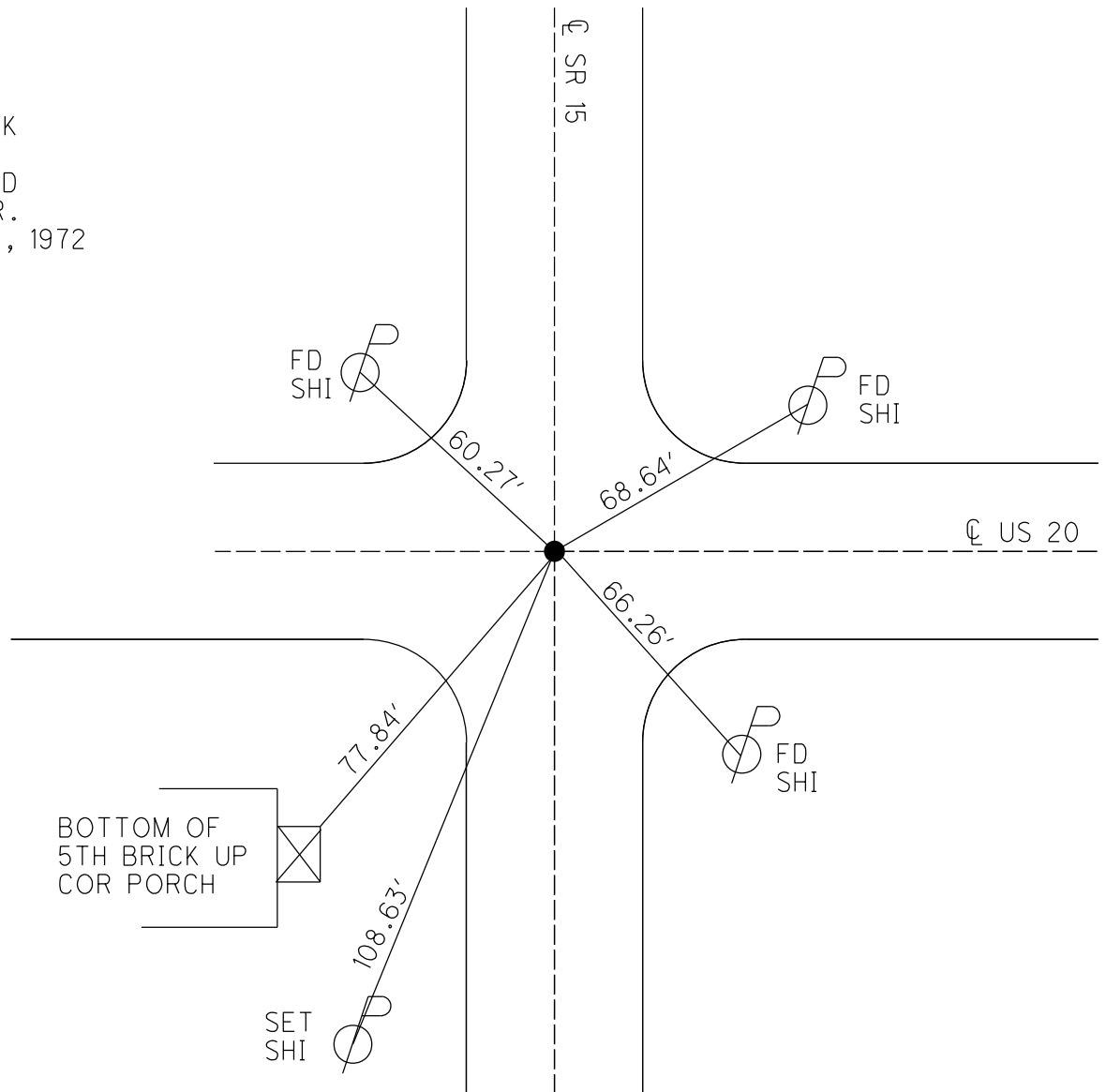
HORIZ. DATUM: NAD83 2011/WIL LDP GEOID: 18

GRID: NORTHING: 734860.237 EASTING: 1407464.125

LDP: NORTHING: 388405.073 EASTING: 163088.774



RECORD:
 STA. 136+32.7
 $\Delta = 0^\circ 16.1' \text{ LT}$
 FD BOAT SPIKE
 ATOP 3/4" IPIPE
 ATOP BRASS R/W DISK
 5/13/82, CL
 ALL ANGLES MEASURED
 FROM PERTINENT QTR.
 POSTS BY RED BEACH, 1972
 FD P.K./WASHER
 5/13/82, CL
 5/30/07, RGN
 SET MAG/WASHER
 8/29/07, RGN
 FD MAG/WASHER
 REF12
 3/24/20, JLL
 4/28/22
 9/20/22, DSA
 FD MAG/WASH
 REF12
 9/18/24, TDN



O.D.O.T. DISTRICT 2 SURVEY OFFICE (USE ONLY)

PERSONNEL

REFERENCE NO. 12 A

SHEET 16 OF 40

NOTES NIESE DATE 4/28/22

H.C. AUBLE WEATHER SUNNY

R.C. PARADYZ TEMP. 38°

ROUTE SR 15

COUNTY WILLIAMS

TOWNSHIP MADISON

SECTION 28

DWG BY RHOADES PID 95786

T 9 S R 2 W

TYPE MONUMENT MONBOX W/ 1" IPIN

ON SURFACE - ~~BELOW~~ ON

OFFSET Q PAVEMENT 0.5' ~~ET~~ : RT

- TO - EDGE PAVEMENT

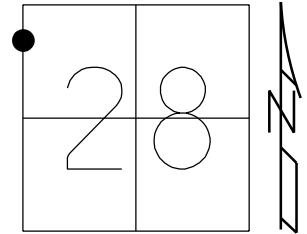
STATION: 143+19.27

HORZ. DATUM: NAD83 2011

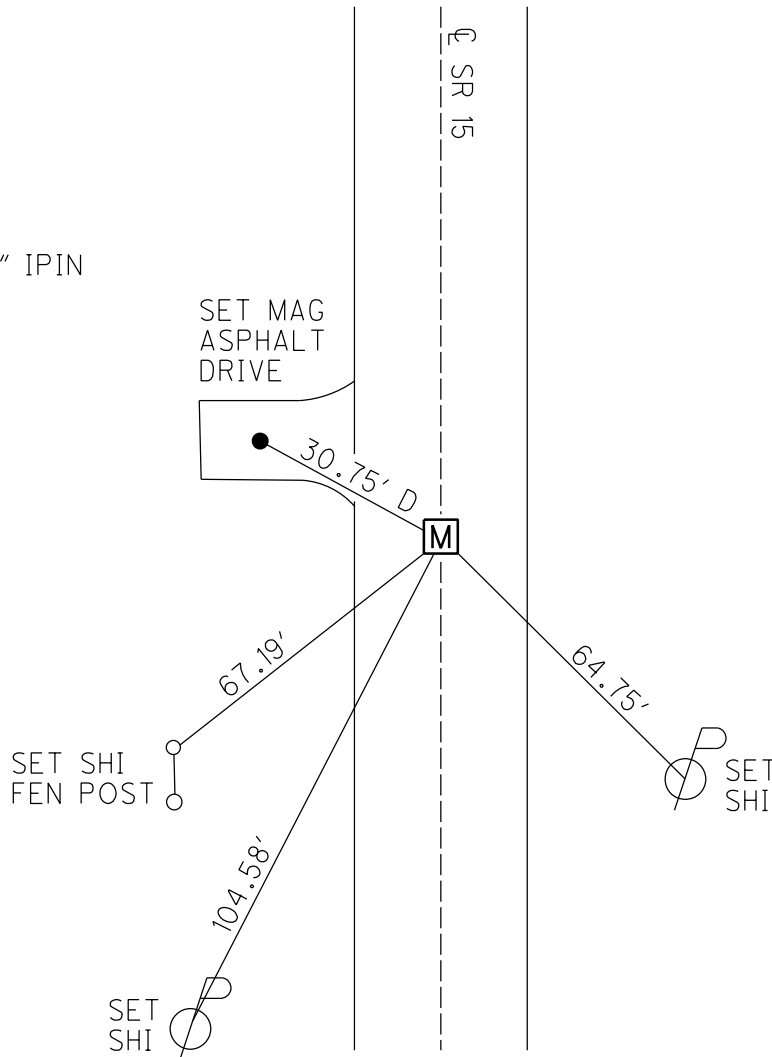
GEOID: NAVD88 2012B

GRID: NORTHING: 733933.253

EASTING: 1407446.964



RECORD:
FD MONBOX
5/29/07, RGN
FD MONBOX
W/ 1" IPIN
REFA12
3/24/20, JLL
4/28/22
9/20/22, DSA
FD MONBOX W/ 1" IPIN
REF 12A
9/18/24, TDN



O.D.O.T. DISTRICT 2 SURVEY OFFICE (USE ONLY)

PERSONNEL

REFERENCE NO. 12 B

SHEET 17 OF 40

NOTES NIESE

DATE 4/28/22

ROUTE SR 15

H.C. AUBLE

WEATHER SUNNY

COUNTY WILLIAMS

R.C. PARADYZ

TEMP. 40°

TOWNSHIP MADISON

SECTION 28

DWG BY RHOADES PID 95786

T 9 S R 2 W

TYPE MONUMENT MONBOX W/ 1" IPIN

ON SURFACE - ~~BELOW~~ ON

OFFSET ☒ PAVEMENT ON LT : RT

- TO - EDGE PAVEMENT

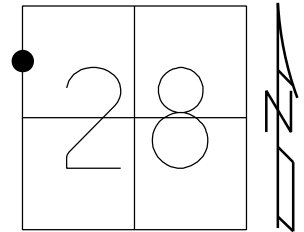
STATION: 150+19.13

HORZ.DATUM: NAD83 2011

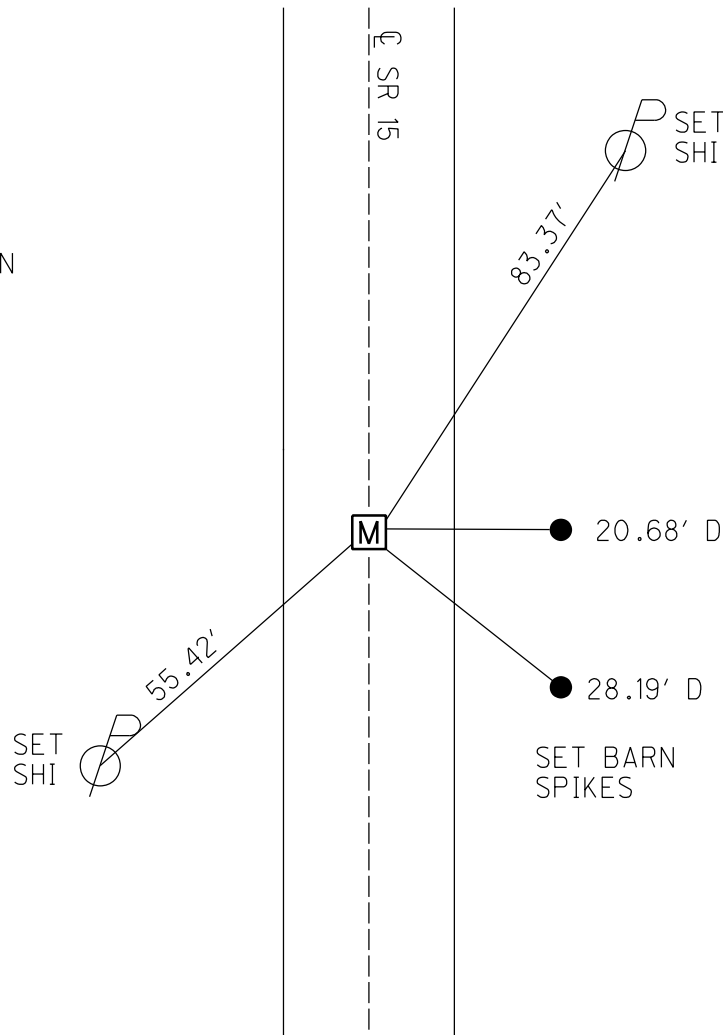
GEOID: NAVD88 2012B

GRID: NORTHING: 733233.366

EASTING: 1407433.926



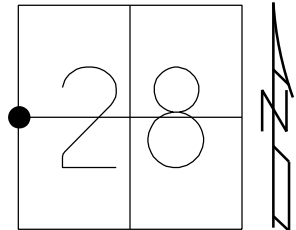
RECORD:
 FD MONBOX
 5/29/07, RGN
 3/24/20, JLL
 FD MONBOX
 W/ 1" IPIN
 REFB12
 4/28/22
 9/20/22, DSA
 FD MONBOX W/ 1" IPIN
 REF 12B
 9/18/24, TDN



O.D.O.T. DISTRICT 2 SURVEY OFFICE (USE ONLY)

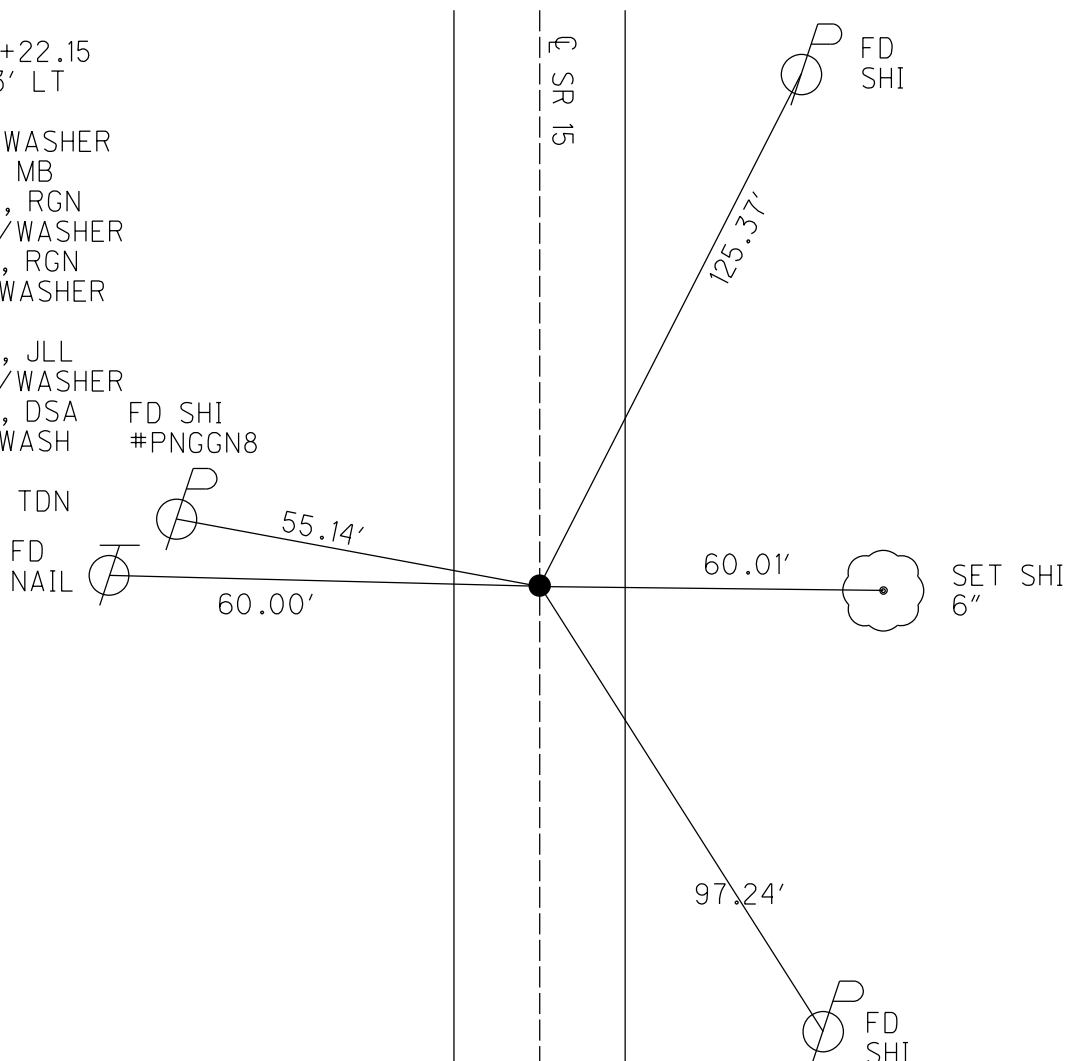
PERSONNEL _____ REFERENCE NO. 13 SHEET 18 OF 40
 NOTES NIESE DATE 4/28/22 ROUTE SR 15
 H.C. AUBLE WEATHER SUNNY COUNTY WILLIAMS
 R.C. PARADYZ TEMP. 40° TOWNSHIP MADISON
 SECTION 28
 DWG BY RHOADES PID 95786 T 9 S R 2 W

TYPE MONUMENT MAG/WASHER
 ON SURFACE - ~~BELOW~~ ON
 OFFSET ☉ PAVEMENT ON _____ LT : RT
12.7' TO RT EDGE PAVEMENT
 STATION: 160+40.39



HORZ. DATUM: NAD83 2011 GEOID: NAVD88 2012B
 GRID: NORTHING: 732212.423 EASTING: 1407414.938

RECORD:
 STA. 163+22.15
 $\Delta = 0^\circ 03' \text{ LT}$
 1955
 FD P.K./WASHER
 8/31/88, MB
 5/30/07, RGN
 SET MAG/WASHER
 8/28/07, RGN
 FD MAG/WASHER
 REF13
 3/24/20, JLL
 SET MAG/WASHER
 9/20/22, DSA
 FD MAG/WASH
 REF13
 9/18/24, TDN



O.D.O.T. DISTRICT 2 SURVEY OFFICE (USE ONLY)

PERSONNEL

REFERENCE NO. 14

SHEET 19 OF 40

NOTES NIESE

DATE 4/28/22

ROUTE SR 15

H.C. AUBLE

WEATHER SUNNY

COUNTY WILLIAMS

R.C. PARADYZ

TEMP. 40°

TOWNSHIP MADISON

SECTION 33

DWG BY RHOADES PID 95786

T 9 S R 2 W

TYPE MONUMENT MAG/WASHER

ON SURFACE - ~~BELOW~~ ON

OFFSET \varnothing PAVEMENT 0.3' LT : ~~RT~~

13.5' TO RT EDGE PAVEMENT

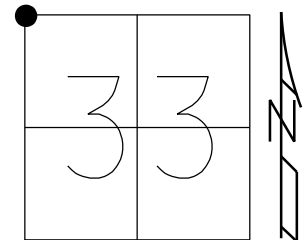
STATION: 186+83.99

HORZ. DATUM: NAD83 2011

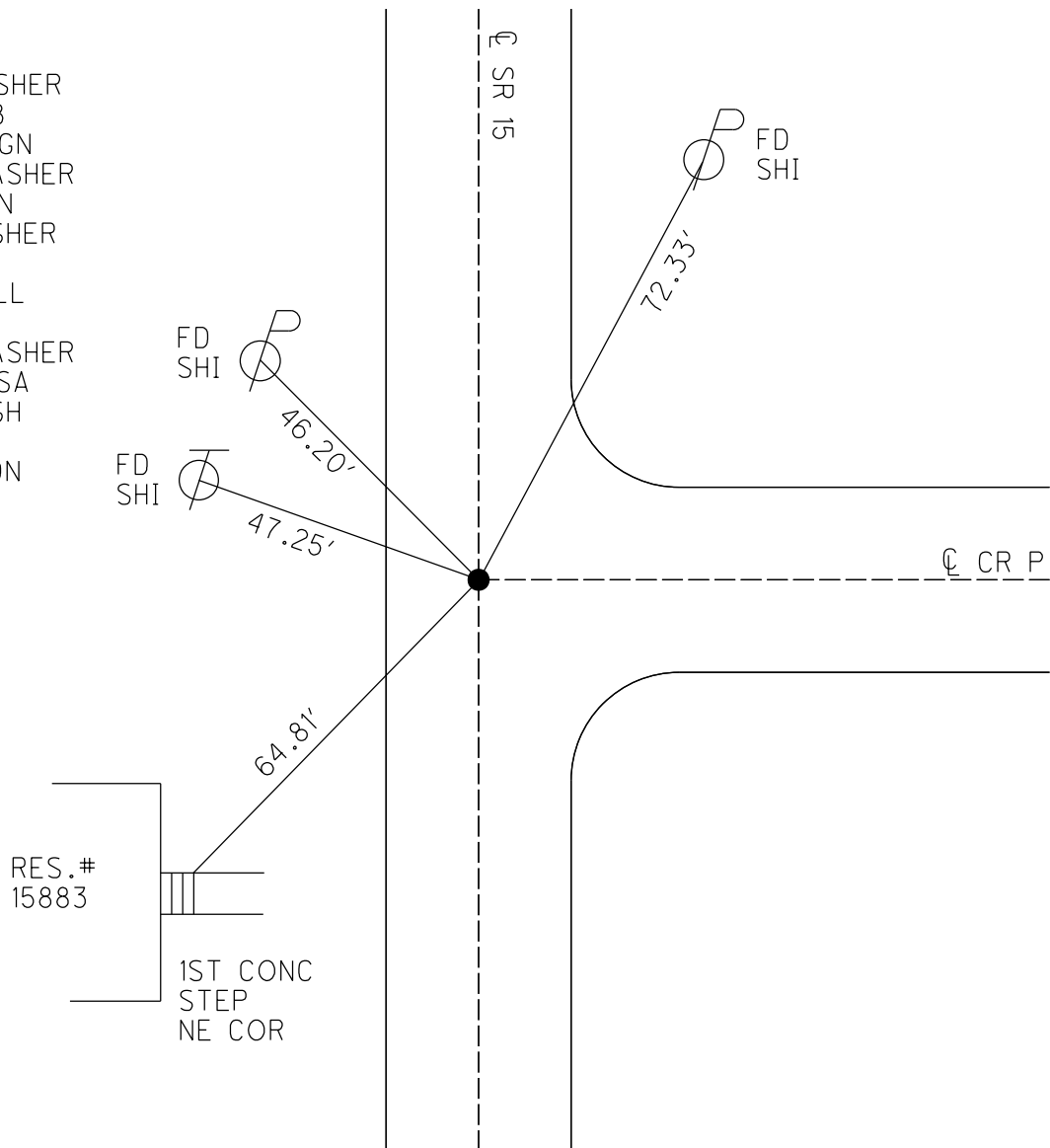
GEOID: NAVD88 2012B

GRID: NORTHING: 729569.172

EASTING: 1407367.714



RECORD:
 FD P.K./WASHER
 8/31/88, MB
 5/30/07, RGN
 SET MAG/WASHER
 9/4/07, RGN
 FD MAG/WASHER
 REF14
 3/24/20, JLL
 4/28/22
 SET MAG/WASHER
 9/20/22, DSA
 FD MAG/WASH
 REF13
 9/18/24, TDN



O.D.O.T. DISTRICT 2 SURVEY OFFICE (USE ONLY)

PERSONNEL

REFERENCE NO. 15

SHEET 20 OF 40

NOTES NIESE DATE 4/28/22
 H.C. AUBLE WEATHER SUNNY
 R.C. PARADYZ TEMP. 40°

ROUTE SR 15
 COUNTY WILLIAMS
 TOWNSHIP MADISON
 SECTION 33
 T 9 S R 2 W

DWG BY RHOADES PID 95786

TYPE MONUMENT MAG NAIL

ON SURFACE - ~~BELOW~~ ON

OFFSET 0.3' RT PAVEMENT

12.0' TO RT EDGE PAVEMENT

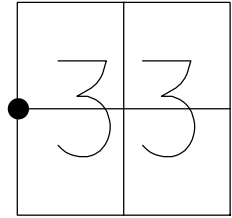
STATION: 213+38.49

HORIZ.DATUM: NAD83 2011

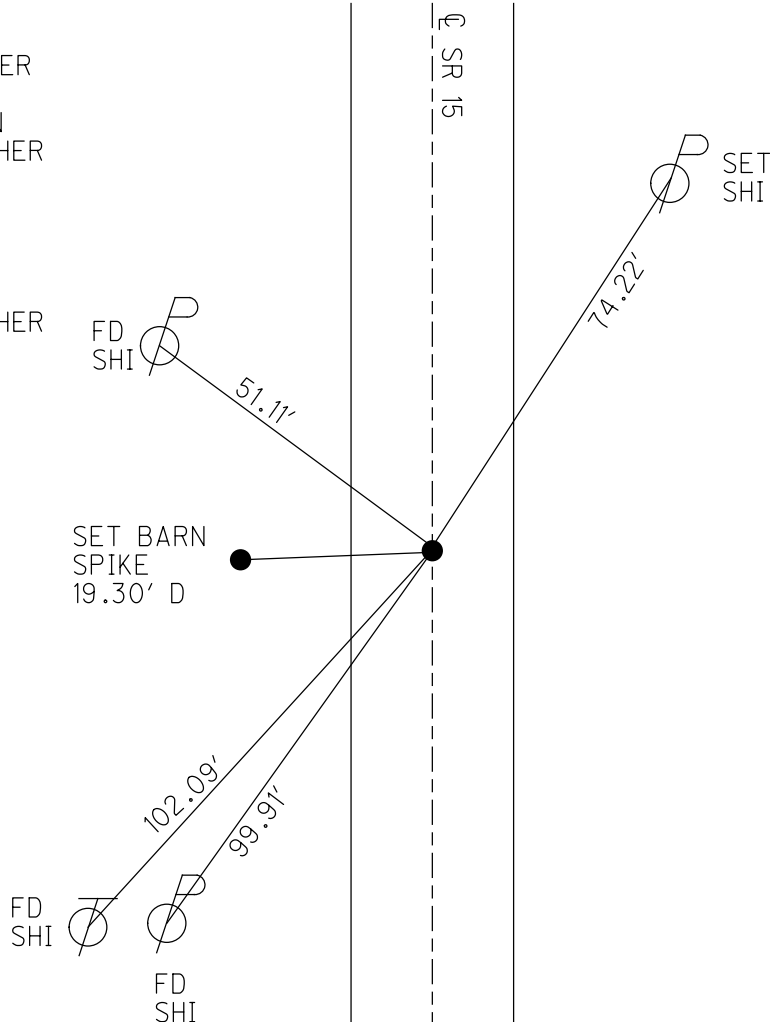
GEOID: NAVD88 2012B

GRID: NORTHING: 726916.166

EASTING: 1407280.299



RECORD:
 FD P.K./WASHER
 8/31/88, MB
 5/30/07, RGN
 SET MAG/WASHER
 9/4/07, RGN
 FD MAG NAIL
 REF15
 3/24/20, JLL
 4/28/22
 SET MAG/WASHER
 9/20/22, DSA



O.D.O.T. DISTRICT 2 SURVEY OFFICE (USE ONLY)

PERSONNEL _____ REFERENCE NO. 34 SHEET 21 OF 40
 NOTES NIESE DATE 4/28/22 ROUTE SR 15
 H.C. AUBLE WEATHER SUNNY COUNTY WILLIAMS
 R.C. PARADYZ TEMP. 40° TOWNSHIP MADISON
 DWG BY RHOADES PID 95786 SECTION 33
 T 9 S R 2 W

TYPE MONUMENT MAG/WASHER

ON SURFACE - ~~BELOW~~ ON

OFFSET \varnothing PAVEMENT 0.3' ~~LF~~ : RT

- TO - EDGE PAVEMENT

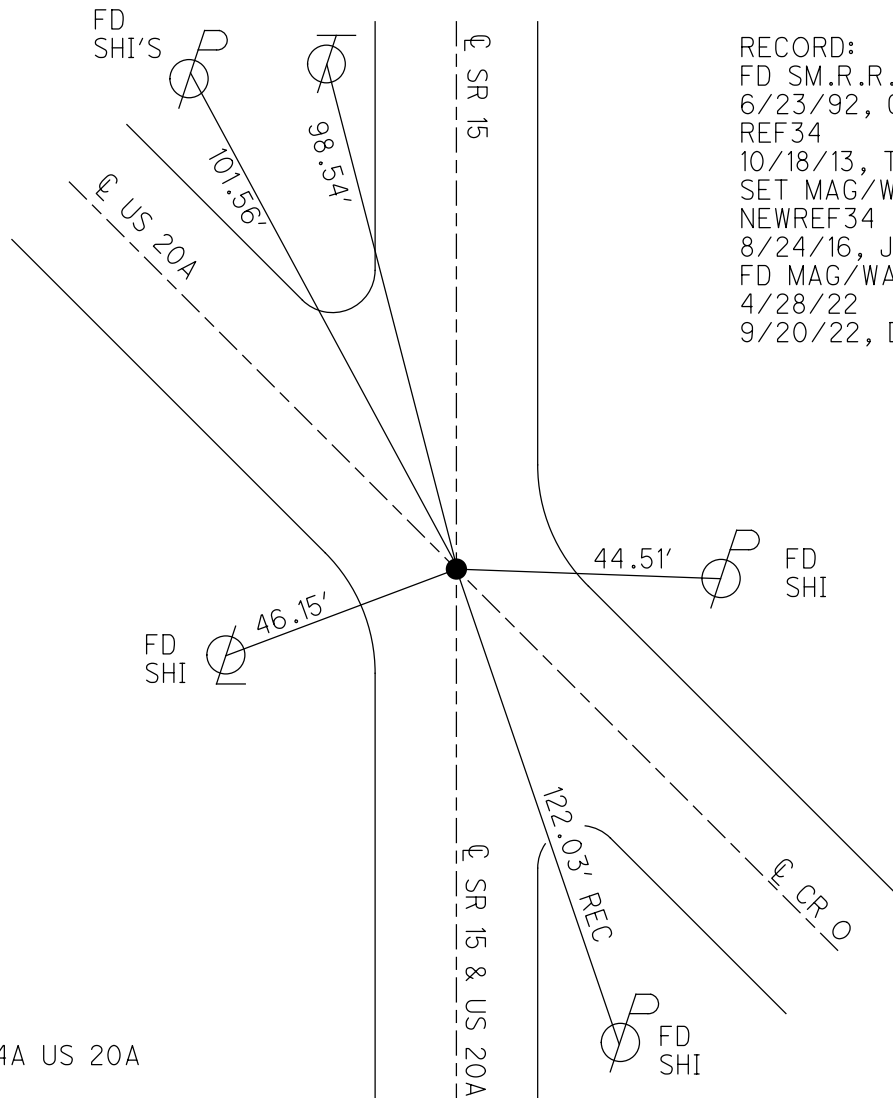
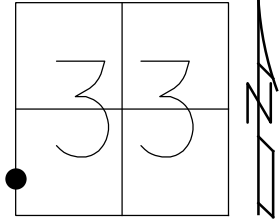
STATION: 229+07.58

HORIZ.DATUM: NAD83 2011

GEOID: NAVD88 2012B

GRID: NORTHING: 725347.730

EASTING: 1407235.109



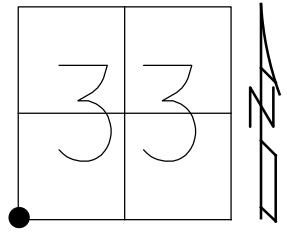
RECORD:
 FD SM.R.R.SPIKE
 6/23/92, CL
 REF34
 10/18/13, TMR
 SET MAG/WASHER
 NEWREF34
 8/24/16, JFO
 FD MAG/WASHER
 4/28/22
 9/20/22, DSA

NOTE: REF 4A US 20A

O.D.O.T. DISTRICT 2 SURVEY OFFICE (USE ONLY)

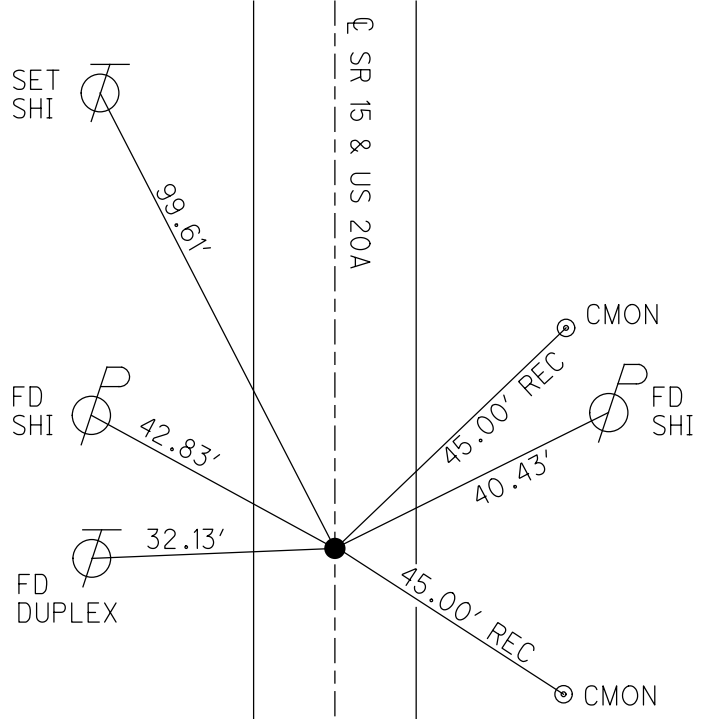
PERSONNEL _____ REFERENCE NO. 33 SHEET 22 OF 40
 NOTES LEU DATE 3/29/16 ROUTE SR 15
 H.C. HOMAN WEATHER SUNNY COUNTY WILLIAMS
 R.C. LEU TEMP. 32° TOWNSHIP MADISON
 DWG BY RHOADES PID 95786 SECTION 33
 T 10 S R 2 W

TYPE MONUMENT SM.R.R.SPIKE
~~ON SURFACE~~ - BELOW 1"
 OFFSET \odot PAVEMENT 1.3' LT : ~~RT~~
11.1' TO RT EDGE PAVEMENT
 STATION: 239+91.68



HORZ.DATUM: NAD83 2011 GEOID: NAVD88 2012B
 GRID: NORTHING: 724264.080 EASTING: 1407203.615

RECORD:
 FD SM.R.R.SPIKE
 7/6/92, CL
 FD P.K.NAIL
 REF33
 10/23/13, TMR
 SET MAG/WASHER
 NEWREF33
 8/24/16, JFO
 FD MAG/WASHER
 REF33
 3/24/20, JLL

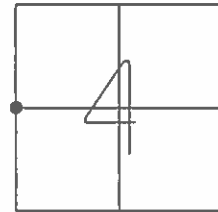


NOTE: REF 4B US 20A

O.D.O.T. DISTRICT 2 SURVEY OFFICE (USE ONLY)

PERSONNEL _____ REFERENCE NO. 32 SHEET 3 OF 40
 NOTES RHOADES DATE 8/24/16 ROUTE SR 15
 H.C. O'DONNELL WEATHER CLOUDY COUNTY WILLIAMS
 R.C. TODD TEMP. 72° TOWNSHIP MADISON
 SECTION 4
 T 10 S R 2 W

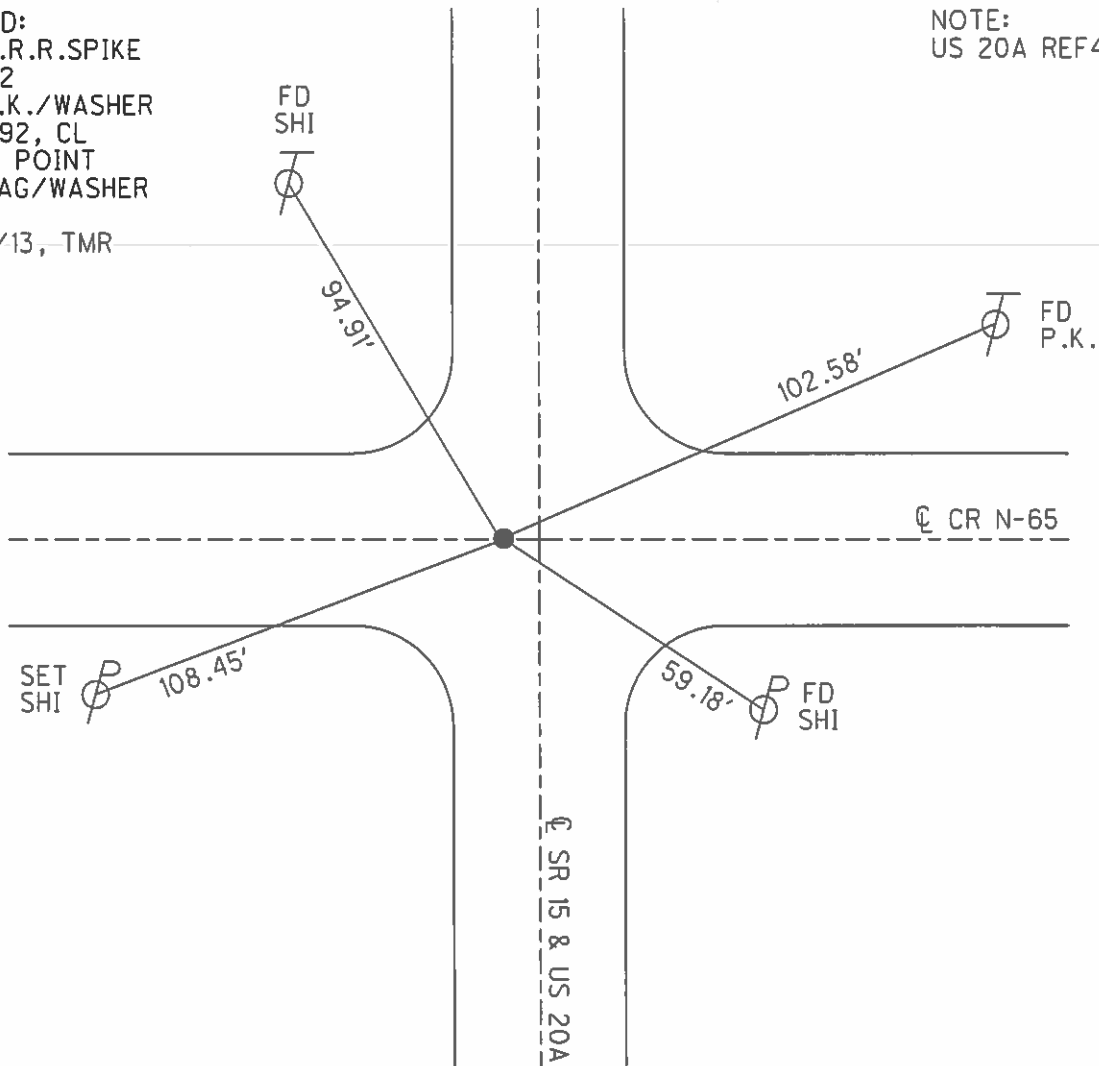
TYPE MONUMENT MAG/WASHER
 ON SURFACE - ~~BELOW~~ ON
~~LEFT~~ - CL PAV'T - RIGHT 5.2'
- TO - EDGE PAVEMENT
 S.L.M. 459+85.89



GRID: NORTHING: 721658.599 EASTING: 1407069.135

RECORD:
 FD SM.R.R.SPIKE
 7/6/92
 SET P.K./WASHER
 9/22/92, CL
 D.N.F. POINT
 SET MAG/WASHER
 REF32
 10/23/13, TMR

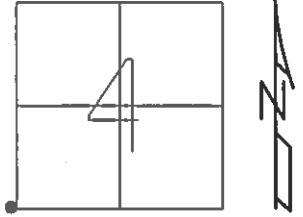
NOTE:
 US 20A REF4C



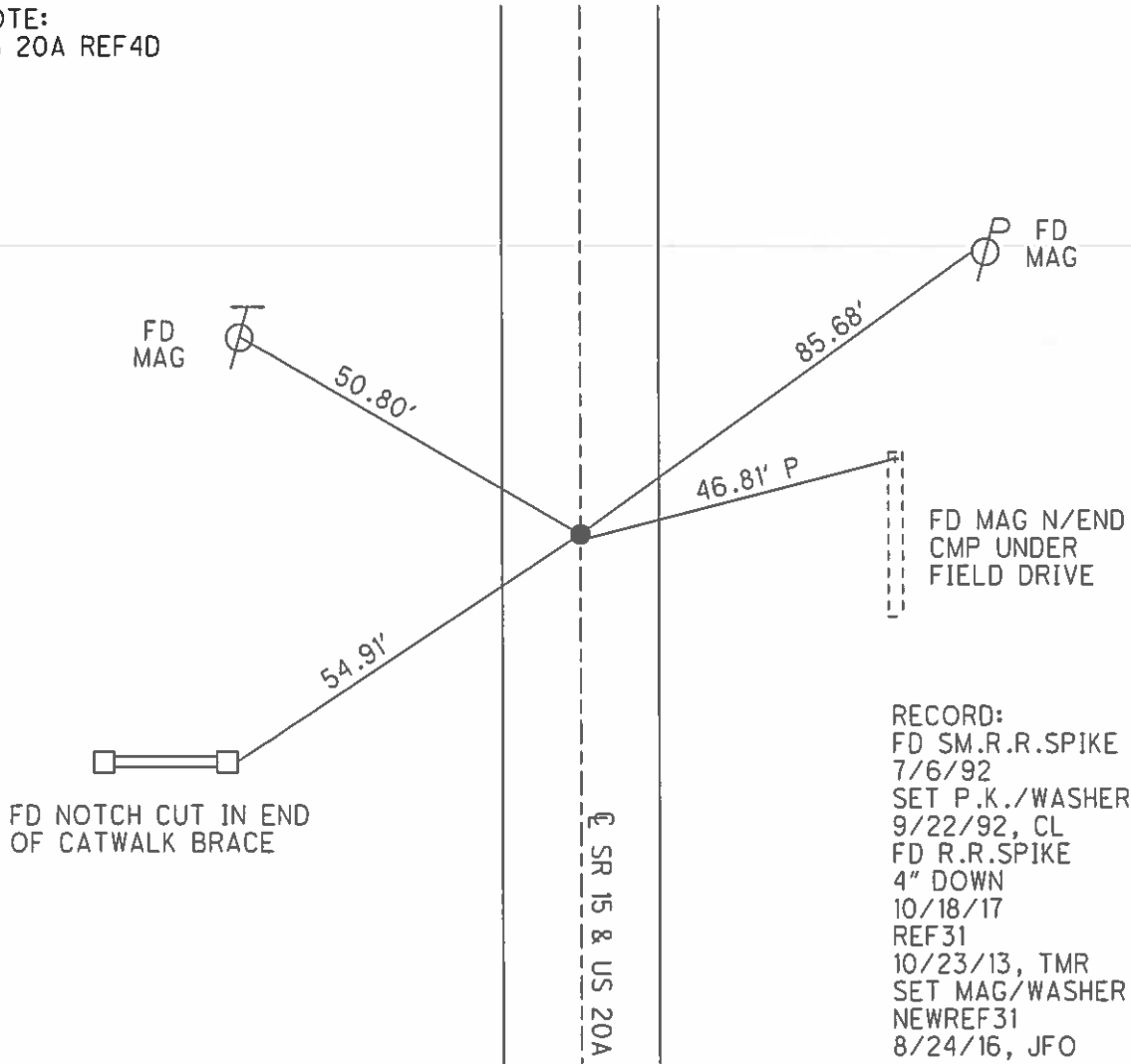
O.D.O.T. DISTRICT 2 SURVEY OFFICE (USE ONLY)

PERSONNEL _____ REFERENCE NO. 31 SHEET 4 OF 40
 NOTES LEU _____ DATE 3/29/16 ROUTE SR 15
 H.C. HOMAN _____ WEATHER SUNNY COUNTY WILLIAMS
 R.C. LEU _____ TEMP. 32° TOWNSHIP MADISON
 _____ SECTION 4
 _____ T 10 S R 2 W

TYPE MONUMENT R.R.SPIKE
~~ON SURFACE~~ - BELOW 4"
~~LEFT~~ - CL PAV'T - ~~RIGHT~~ ON _____
12.3' TO W EDGE PAVEMENT
 S.L.M. 486+34.30
 GRID: NORTHING: 719010.130 EASTING: 1407057.375



NOTE:
US 20A REF4D

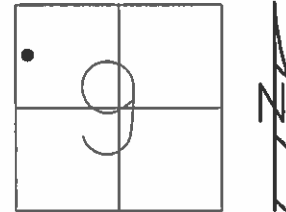


RECORD:
 FD SM.R.R.SPIKE
 7/6/92
 SET P.K./WASHER
 9/22/92, CL
 FD R.R.SPIKE
 4" DOWN
 10/18/17
 REF31
 10/23/13, TMR
 SET MAG/WASHER
 NEWREF31
 8/24/16, JFO

O.D.O.T. DISTRICT 2 SURVEY OFFICE (USE ONLY)

PERSONNEL _____ REFERENCE NO. 30 D SHEET 5 OF 40
 NOTES LEU DATE 3/29/16 ROUTE SR 15
 H.C. HOMAN WEATHER SUNNY COUNTY WILLIAMS
 R.C. LEU TEMP. 40° TOWNSHIP MADISON
 SECTION 9
T 10 S R 2 W

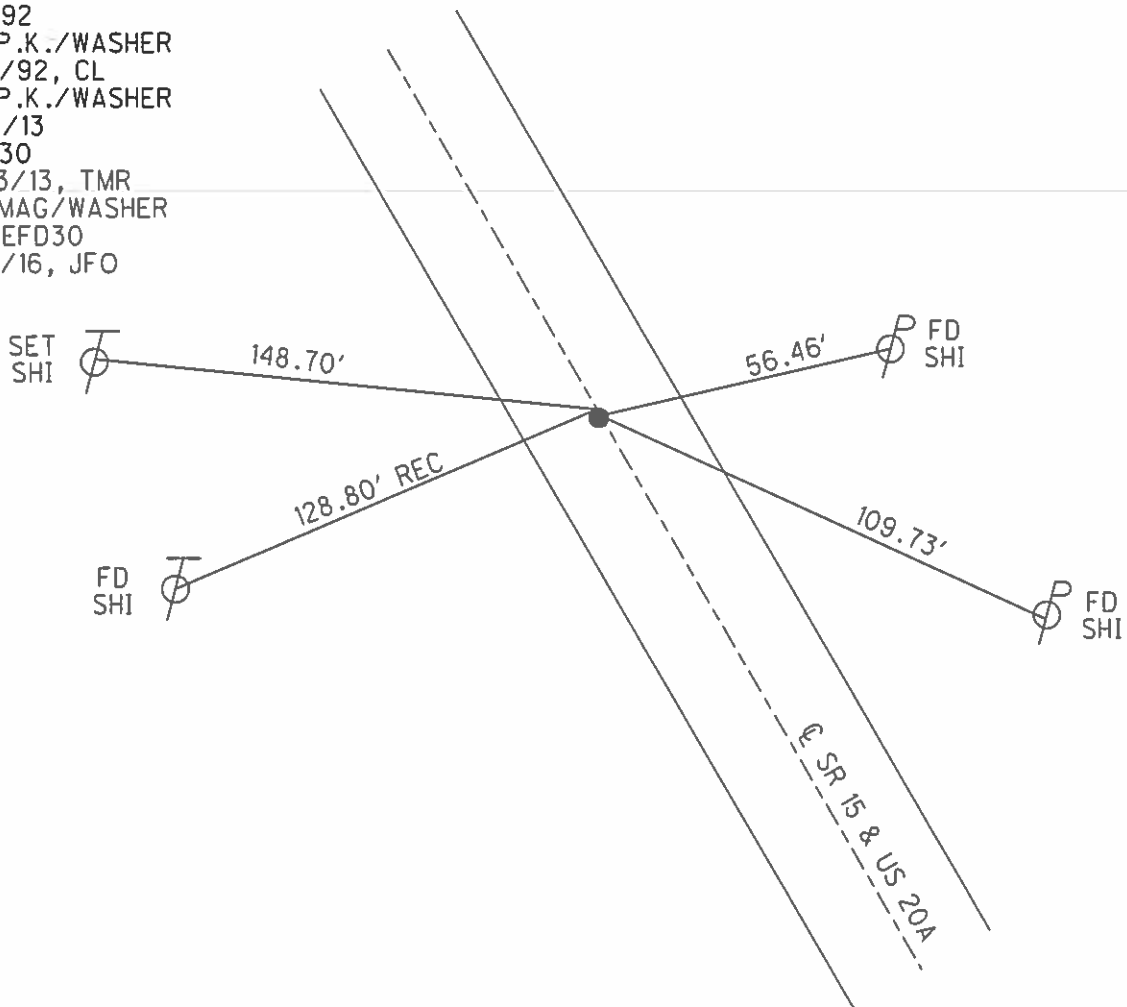
TYPE MONUMENT P.K./WASHER
 ON SURFACE - ~~BELOW~~ ON
~~LEFT~~ - CL PAV'T - RIGHT 0.4'
10.7' TO W EDGE PAVEMENT
 S.L.M. 493+37.53



GRID: NORTHING: 718314.223 EASTING: 1407130.048

RECORD:
 FD P.K./WASHER
 7/6/92
 SET P.K./WASHER
 9/22/92, CL
 SET P.K./WASHER
 10/18/13
 REFD30
 10/23/13, TMR
 SET MAG/WASHER
 NEWREFD30
 8/24/16, JFO

NOTE:
 US 20A REF4E



O.D.O.T. DISTRICT 2 SURVEY OFFICE (USE ONLY)

PERSONNEL	REFERENCE NO.	30 CD	SHEET	6	OF	40
NOTES	NUHFER	DATE	7/26/07	ROUTE	SR 15	
H.C.	HUSS	WEATHER	MILD	COUNTY	WILLIAMS	
R.C.	VIETH	TEMP.	70°	TOWNSHIP	MADISON	
				SECTION	9	
				T	10	S
				R	2	W

TYPE MONUMENT 5/8" THREADED IPIN

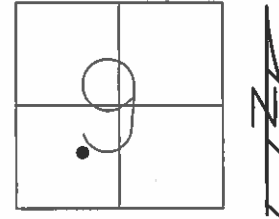
~~ON SURFACE~~ - BELOW 0.2'

LEFT - Q PAV'T - ~~RIGHT~~ -

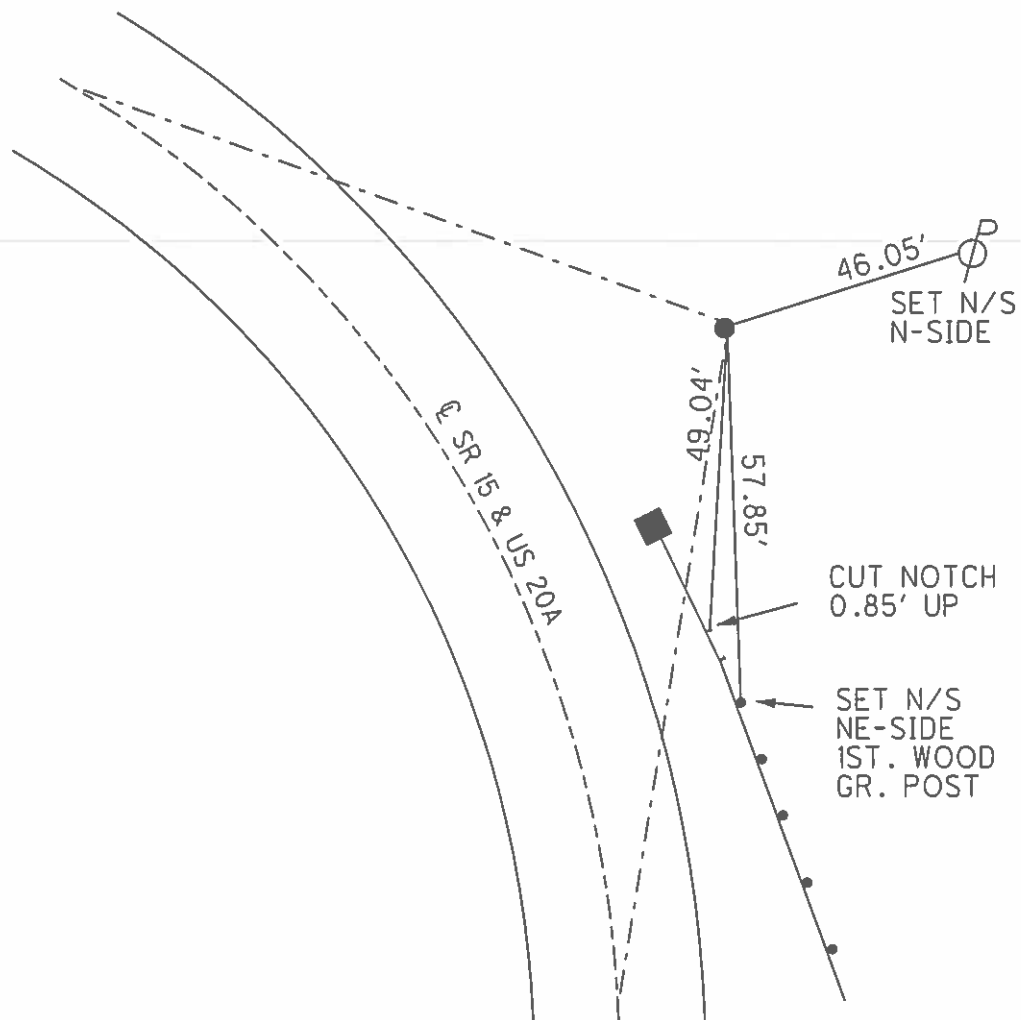
53.8' LT TO E EDGE PAVEMENT

S.L.M. 499+04.23

GRID: NORTHING: 717757.292 EASTING: 1407278.109



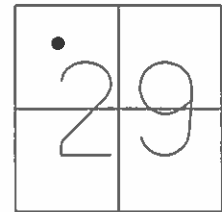
NOTE:
US 20A REF4F



O.D.O.T. DISTRICT 2 SURVEY OFFICE (USE ONLY)

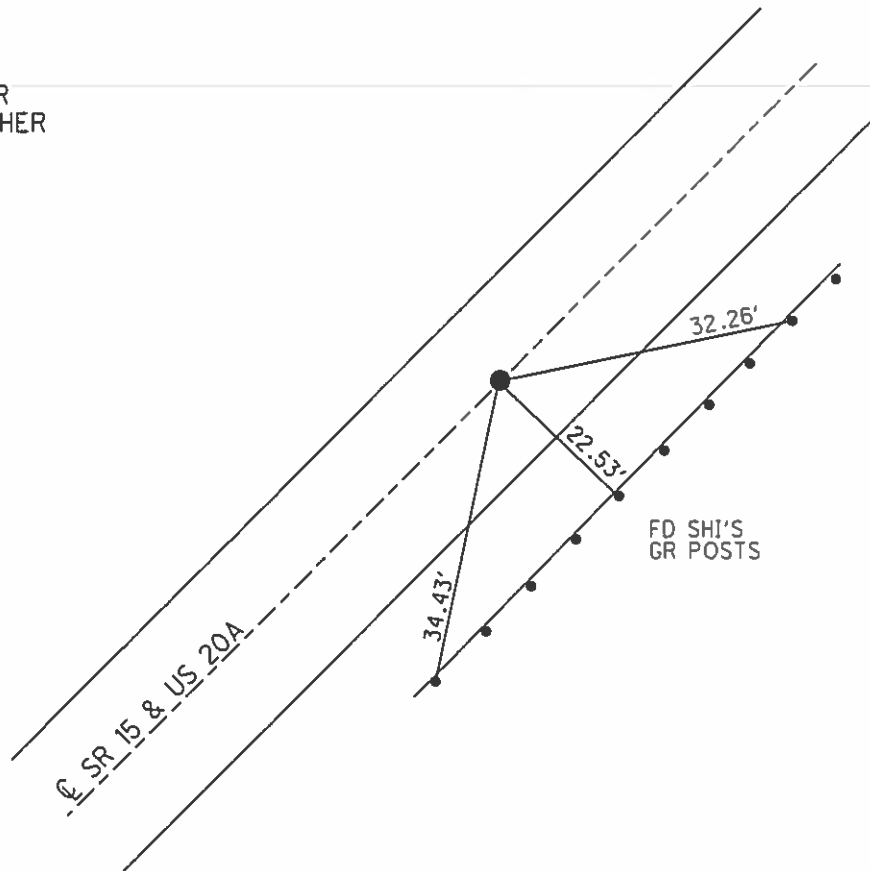
PERSONNEL _____ REFERENCE NO. 30 C SHEET 7 OF 40
 NOTES LEU DATE 3/29/16 ROUTE SR 15
 H.C. HOMAN WEATHER SUNNY COUNTY WILLIAMS
 R.C. LEU TEMP. 40° TOWNSHIP JEFFERSON
 _____ SECTION 29
 _____ T 8 N R 3 E

TYPE MONUMENT P.K.NAIL
~~ON SURFACE~~ - BELOW 2"
 LEFT - ℄ PAV'T - ~~RIGHT~~ 0.4'
11.5' TO E EDGE PAVEMENT
 S.L.M. 504+64.53
 GRID: NORTHING: 717210.095 EASTING: 1407098.359



RECORD:
 FD P.K./WASHER
 7/6/92
 SET P.K./WASHER
 9/22/92, CL
 FD P.K.SHANK
 10/18/13
 REF 30
 10/23/13, TMR
 SET MAG/WASHER
 NEWREFC30
 8/24/16, JFO

NOTE:
 US 20A REF4G

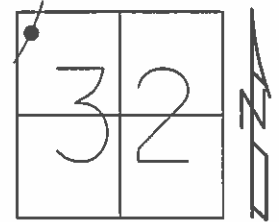


O.D.O.T. DISTRICT 2 SURVEY OFFICE (USE ONLY)

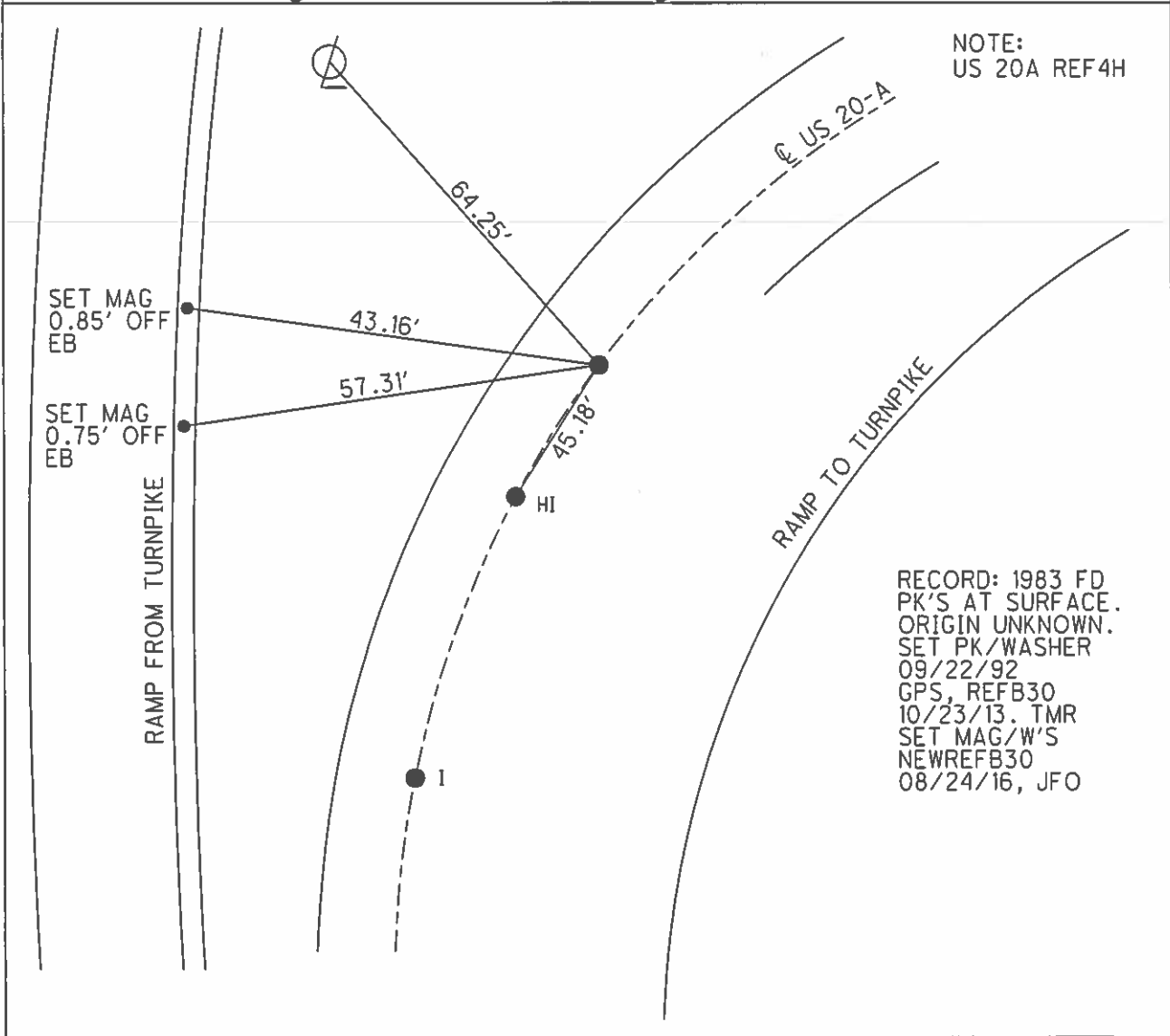
PERSONNEL _____ REFERENCE NO. 30 BC SHEET 8 OF 40

NOTES LEU DATE 03/29/16 ROUTE SR 15
 H.C. HOMAN WEATHER SUNNY COUNTY WILLIAMS
 R.C. LEU TEMP. 40° TOWNSHIP JEFFERSON
 _____ SECTION 32
 _____ T 8 N R 3 E

TYPE MONUMENT P.K.NAIL
 ON SURFACE - ~~BELOW~~ ON
~~LEFT~~ - Q PAV'T - ~~RIGHT~~ ON
 _____ TO _____ EDGE PAVEMENT
 S.L.M. 526+96.98



Grid: Northing: 715087.126 Easting: 1406407.938

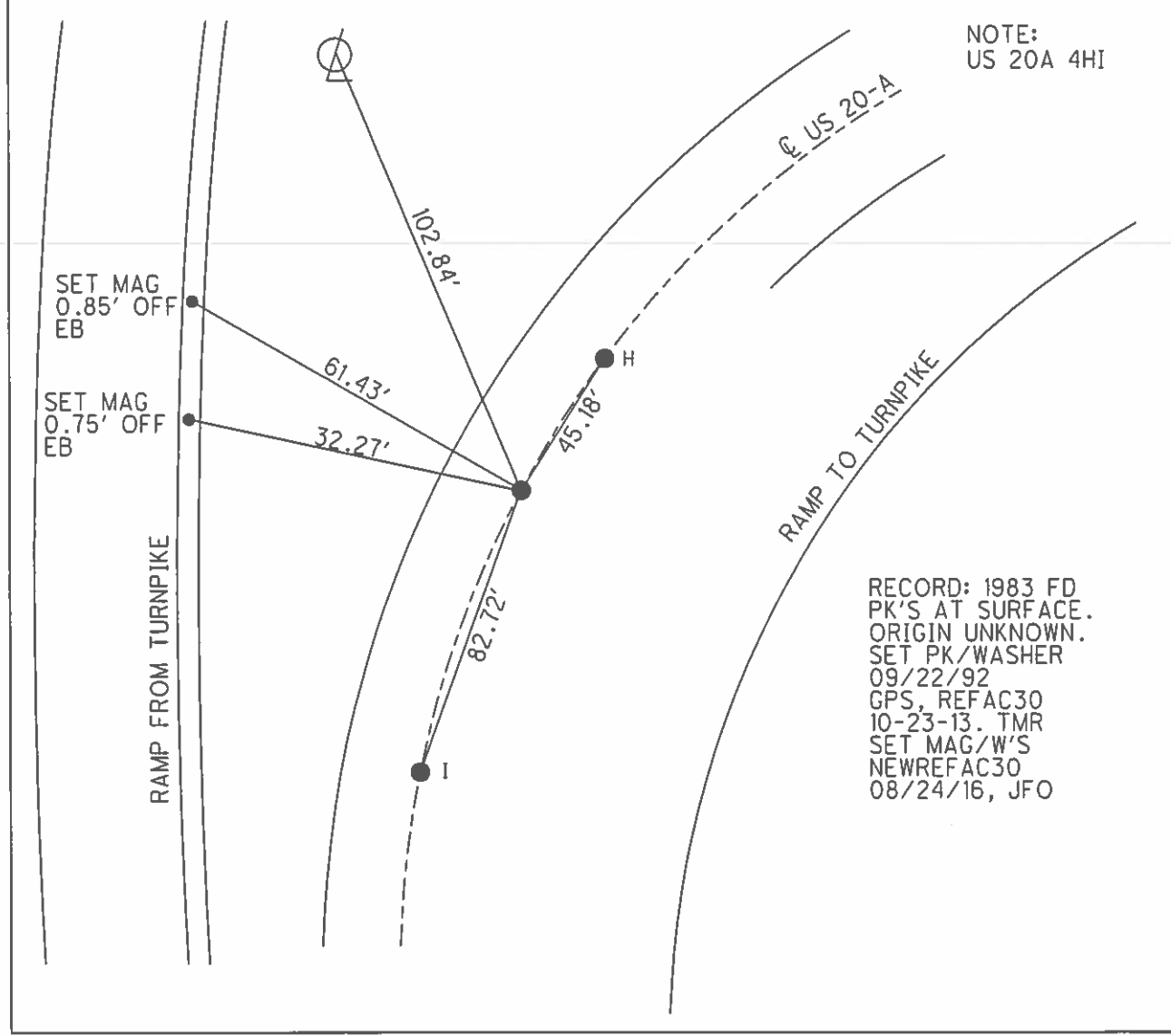
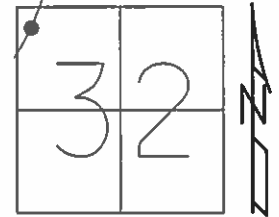


O.D.O.T. DISTRICT 2 SURVEY OFFICE (USE ONLY)

PERSONNEL _____ REFERENCE NO. 30 B SHEET 9 OF 40

NOTES LEU DATE 03/29/16 ROUTE SR 15
 H.C. HOMAN WEATHER SUNNY COUNTY WILLIAMS
 R.C. LEU TEMP. 40° TOWNSHIP JEFFERSON
 SECTION 32
 T 8 N R 3 E

TYPE MONUMENT _____ P.K.NAIL _____
 ON SURFACE - ~~BELOW~~ _____ ON _____
~~LEFT~~ - ☉ PAV'T - ~~RIGHT~~ _____ ON _____
 _____ TO _____ EDGE PAVEMENT
 S.L.M. _____ 527+42.10
 Grid: Northing: 715043.042 Easting: 1406398.141

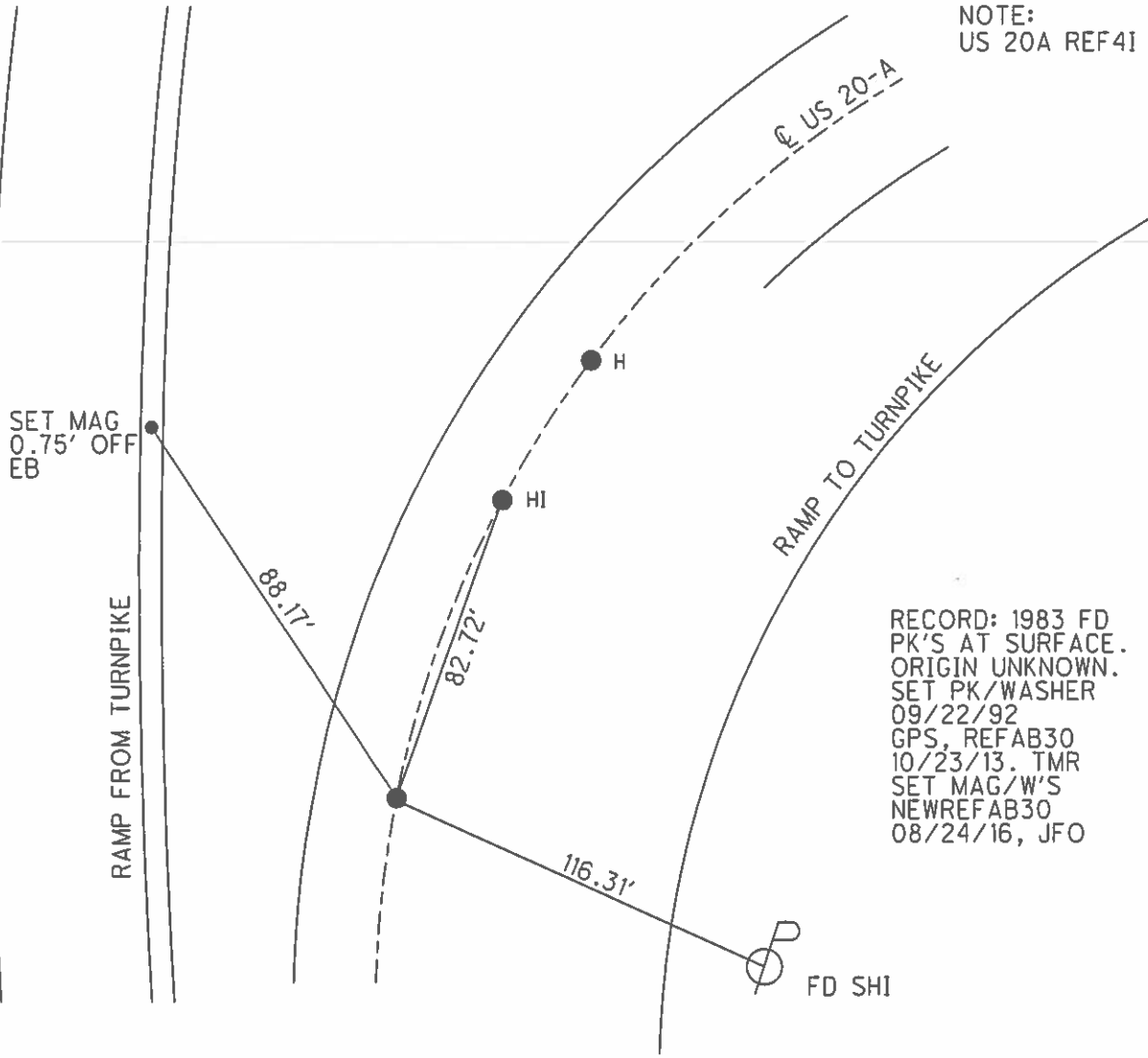
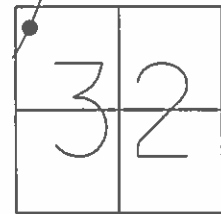


O.D.O.T. DISTRICT 2 SURVEY OFFICE (USE ONLY)

PERSONNEL _____ REFERENCE NO. 30 AB SHEET 10 OF 40

NOTES LEU DATE 03/29/16 ROUTE SR 15
 H.C. HOMAN WEATHER SUNNY COUNTY WILLIAMS
 R.C. LEU TEMP. 40° TOWNSHIP JEFFERSON
 _____ SECTION 32
 _____ T 8 N R 3 E

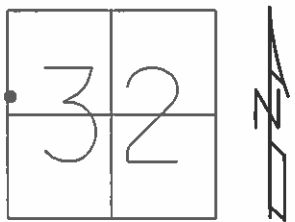
TYPE MONUMENT P.K.NAIL
 ON SURFACE - ~~BELOW~~ ON
 LEFT - ☉ PAV'T - ~~RIGHT~~ ON
 _____ TO _____ EDGE PAVEMENT
 S.L.M. 528+24.80
 Grid: Northing: 714961.593 Easting: 1406384.369



O.D.O.T. DISTRICT 2 SURVEY OFFICE (USE ONLY)

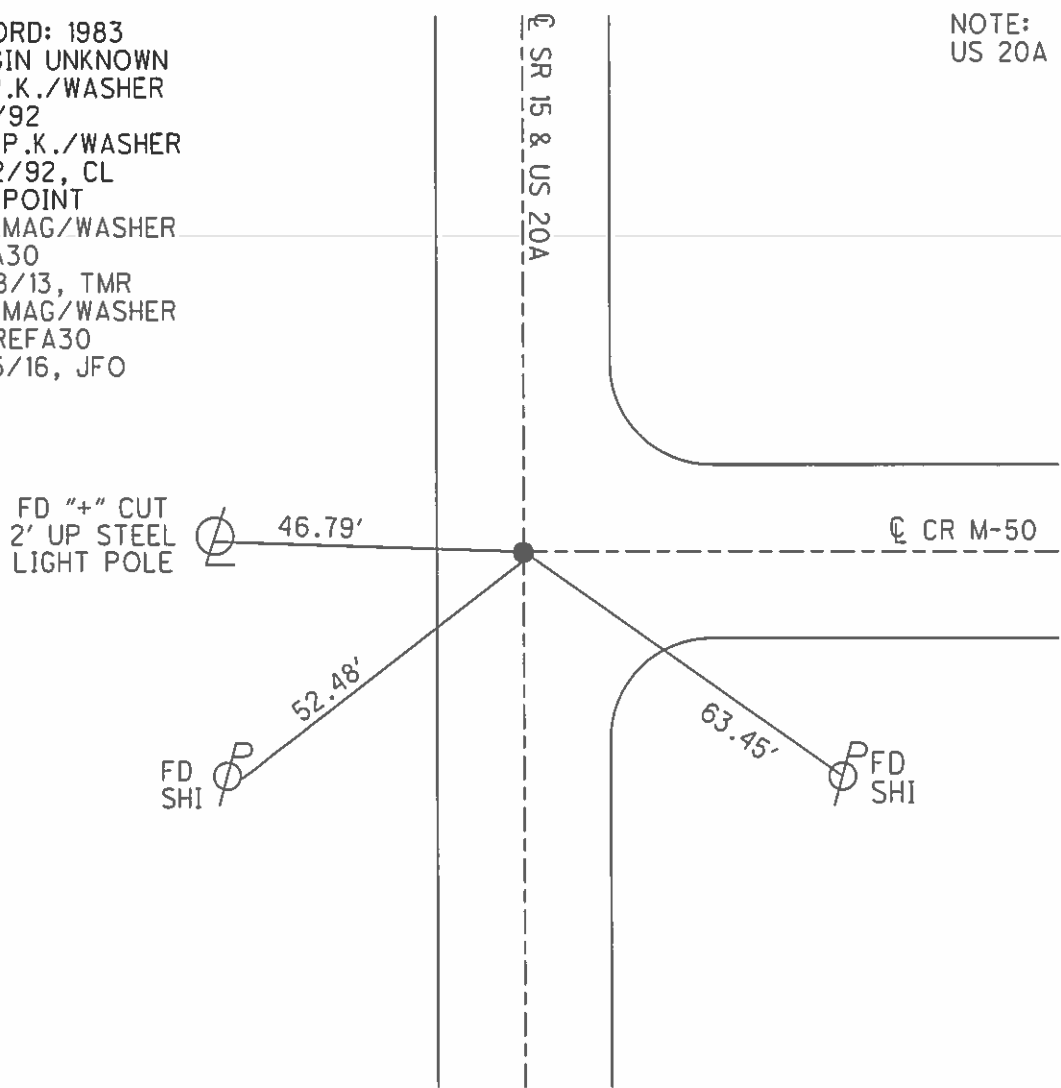
PERSONNEL _____ REFERENCE NO. 30 A SHEET 11 OF 40
 NOTES LOEHRKE DATE 7/15/92 ROUTE SR 15
 H.C. CURTIS WEATHER CLOUDY COUNTY WILLIAMS
 R.C. ROMETO TEMP. 70° TOWNSHIP JEFFERSON
FALKOWSKI SECTION 32
 T 8 N R 3 E

TYPE MONUMENT P.K./WASHER
 ON SURFACE - ~~BELOW~~ ON
~~LEFT~~ - Q PAV'T ~~RIGHT~~ ON
12' TO RT EDGE PAVEMENT
 S.L.M. 535+53.09
 GRID: NORTHING: 714233.698 EASTING: 1406359.841



RECORD: 1983
 ORIGIN UNKNOWN
 FD P.K./WASHER
 7/9/92
 SET P.K./WASHER
 9/22/92, CL
 DNF POINT
 SET MAG/WASHER
 REFA30
 10/18/13, TMR
 SET MAG/WASHER
 NEWREFA30
 8/25/16, JFO

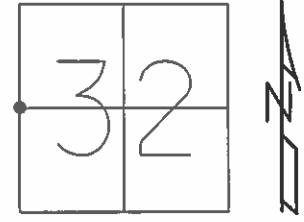
NOTE:
 US 20A REF4J



O.D.O.T. DISTRICT 2 SURVEY OFFICE (USE ONLY)

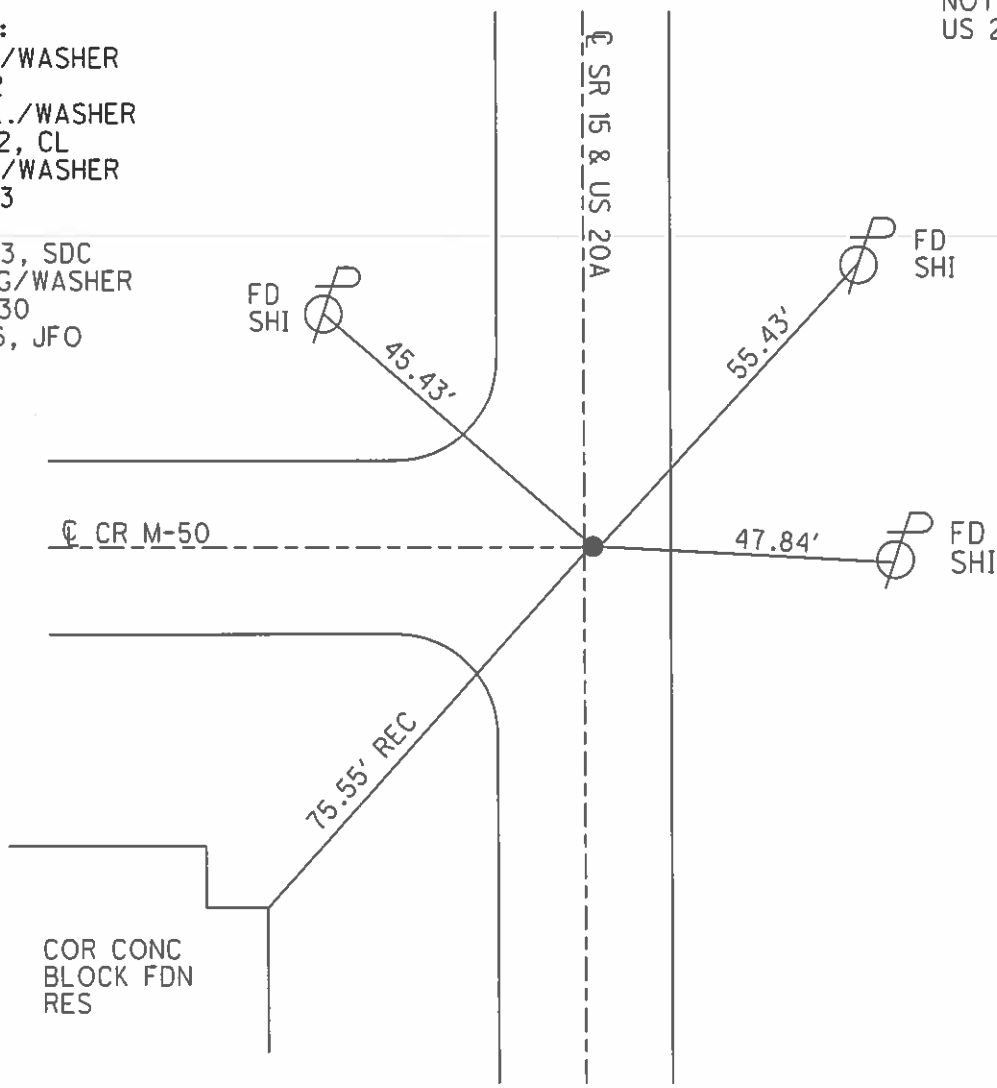
PERSONNEL _____ REFERENCE NO. 30 SHEET 12 OF 40
 NOTES LEU _____ DATE 3/29/16 ROUTE SR 15
 H.C. HOMAN _____ WEATHER SUNNY COUNTY WILLIAMS
 R.C. LEU _____ TEMP. 47° TOWNSHIP JEFFERSON
 _____ SECTION 32
 _____ T 8 N R 3 E

TYPE MONUMENT P.K.NAIL
 ON SURFACE - ~~BELOW~~ ON _____
~~LEFT~~ - Q PAV'T - RIGHT 0.6'
12.6' TO LT EDGE PAVEMENT
 S.L.M. 538+32.53
 GRID: NORTHING: 713954.292 EASTING: 1406354.945



RECORD:
 FD P.K./WASHER
 7/16/92
 SET P.K./WASHER
 9/22/92, CL
 FD P.K./WASHER
 10/22/13
 REF30
 10/23/13, SDC
 SET MAG/WASHER
 NEWREF30
 8/25/16, JFO

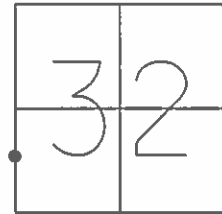
NOTE:
 US 20A REF4K



O.D.O.T. DISTRICT 2 SURVEY OFFICE (USE ONLY)

PERSONNEL _____ REFERENCE NO. 29 C SHEET 13 OF 40
 NOTES O'DONNELL DATE 4/1/16 ROUTE SR 15
 H.C. RHOADES WEATHER CLOUDY COUNTY WILLIAMS
 R.C. O'DONNELL TEMP. 43° TOWNSHIP JEFFERSON
 _____ SECTION 32
 _____ T 8 N R 3 E

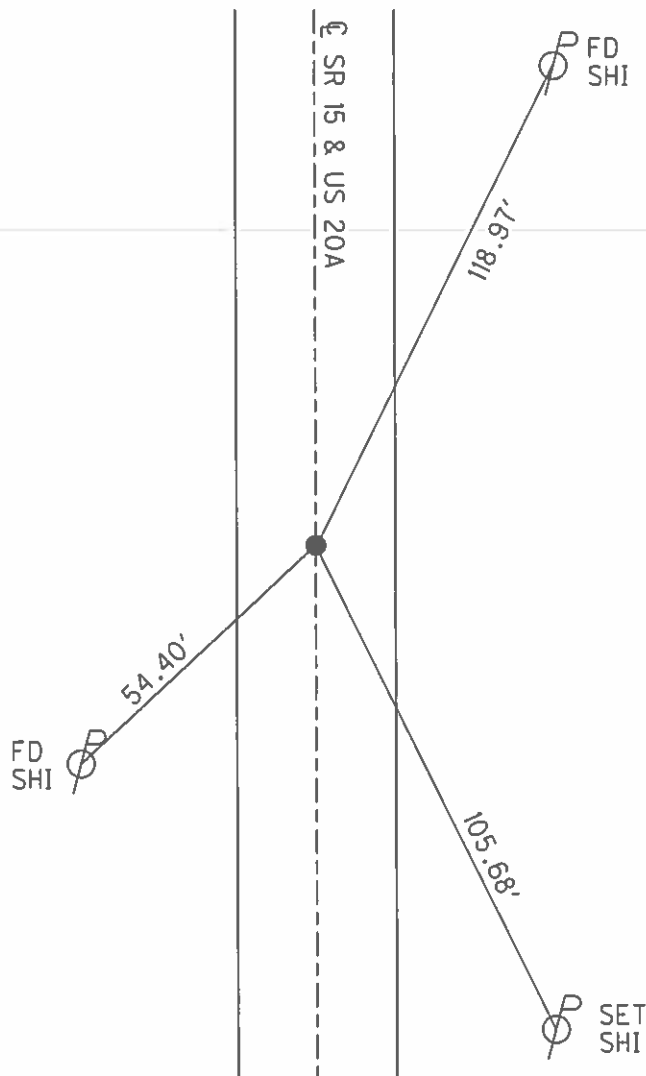
TYPE MONUMENT P.K./WASHER
 ON SURFACE - ~~BELOW~~ ON _____
~~LEFT~~ - CL PAV'T - RIGHT 0.5'
11.3' TO RT EDGE PAVEMENT
 S.L.M. 536+65.48



GRID: NORTHING: 712121.727 EASTING: 1406317.773

RECORD: P.C.
 FD P.K./WASHER
 7/16/92
 SET P.K./WASHER
 9/22/92, CL
 FD P.K./WASHER
 10/22/13
 REFC29
 10/23/13, SDC
 SET MAG/WASHER
 NEWREFC29
 8/25/16, JFO

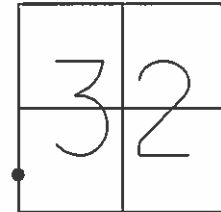
NOTE:
 US 20A REF4L



O.D.O.T. DISTRICT 2 SURVEY OFFICE (USE ONLY)

PERSONNEL _____ REFERENCE NO. 29 B SHEET 14 OF 40
 NOTES O'DONNELL DATE 4/1/16 ROUTE SR 15
 H.C. RHOADES WEATHER CLOUDY COUNTY WILLIAMS
 R.C. O'DONNELL TEMP. 43° TOWNSHIP JEFFERSON
 _____ SECTION 32
 _____ T 8 N R 3 E

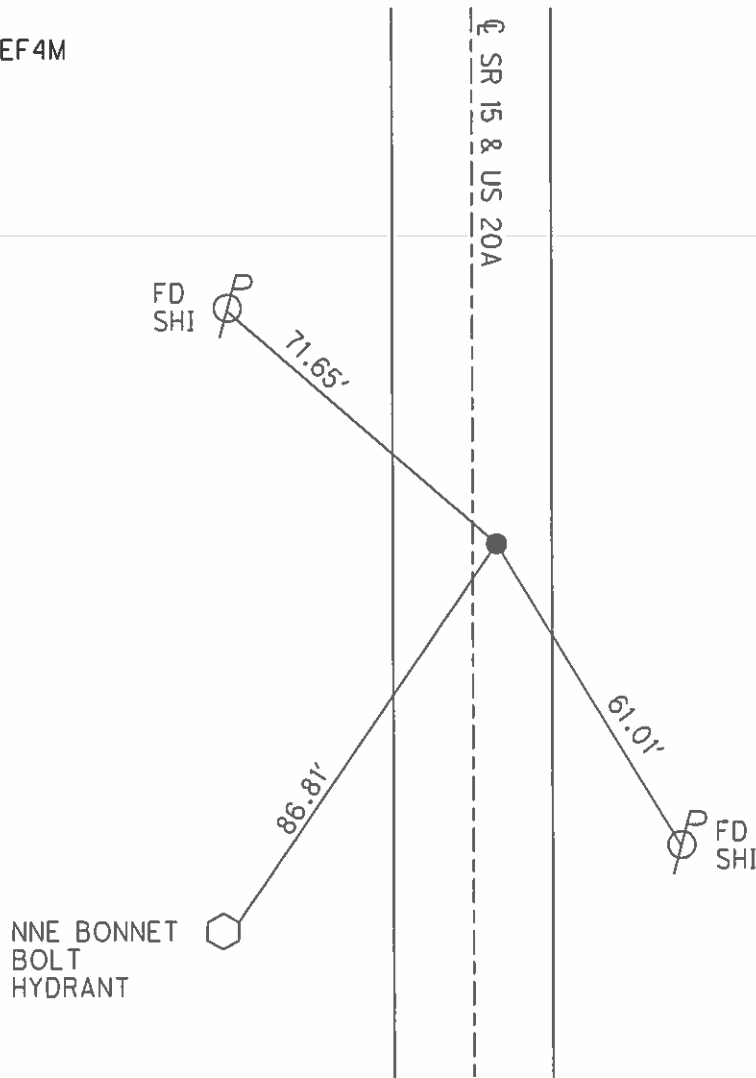
TYPE MONUMENT P.K./WASHER
 ON SURFACE - ~~BELOW~~ ON _____
 LEFT - ☉ PAV'T - ~~RIGHT~~ 3.2'
8.6' TO LT EDGE PAVEMENT
 S.L.M. 559+23.26



GRID: NORTHING: 711863.739 EASTING: 1406312.385

NOTE:
 US 20A REF4M

RECORD: P.I.
 FD P.K./WASHER
 7/16/92
 SET P.K./WASHER
 9/22/92, CL
 FD P.K.SHANK
 10/22/13
 REFB29
 10/23/13, TMR
 SET MAG/WASHER
 NEWREFB29
 9/1/16, JFO

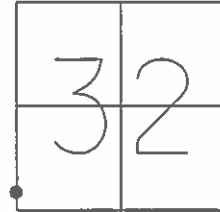


O.D.O.T. DISTRICT 2 SURVEY OFFICE (USE ONLY)

PERSONNEL _____ REFERENCE NO. 29 A SHEET 15 OF 40

NOTES LOHRKE DATE 7/16/92 ROUTE SR 15
 H.C. CURTIS WEATHER CLOUDY COUNTY WILLIAMS
 R.C. ROMETO TEMP. 70° TOWNSHIP JEFFERSON
FALKOWSKI SECTION 32
 T 8 N R 3 E

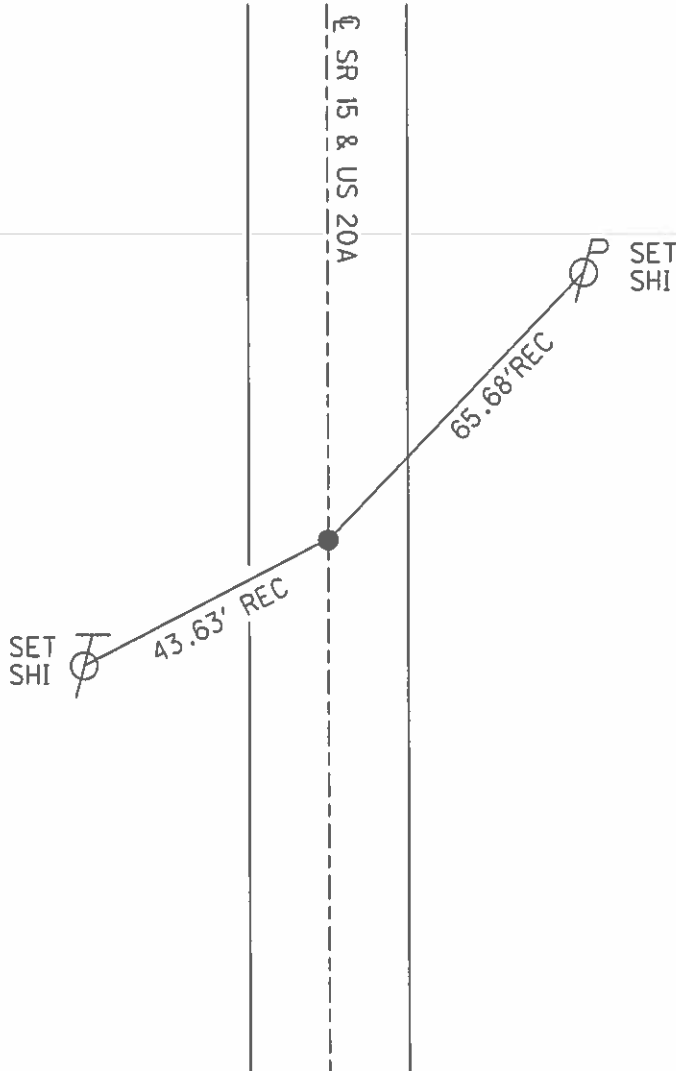
TYPE MONUMENT P.K./WASHER
 ON SURFACE - ~~BELOW~~ ON _____
 LEFT - ☉ PAV'T - ~~RIGHT~~ 0.9'
11.3' TO LT EDGE PAVEMENT
 S.L.M. 561+81 ±, (199+42 US 20A)



GRID: NORTHING: _____ EASTING: _____

REORD:
 SET P.K./WASHER
 9/22/92, CL
 DNF, 10/22/13

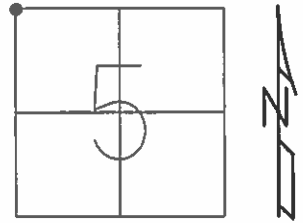
NOTE:
 US 20A REF4N



O.D.O.T. DISTRICT 2 SURVEY OFFICE (USE ONLY)

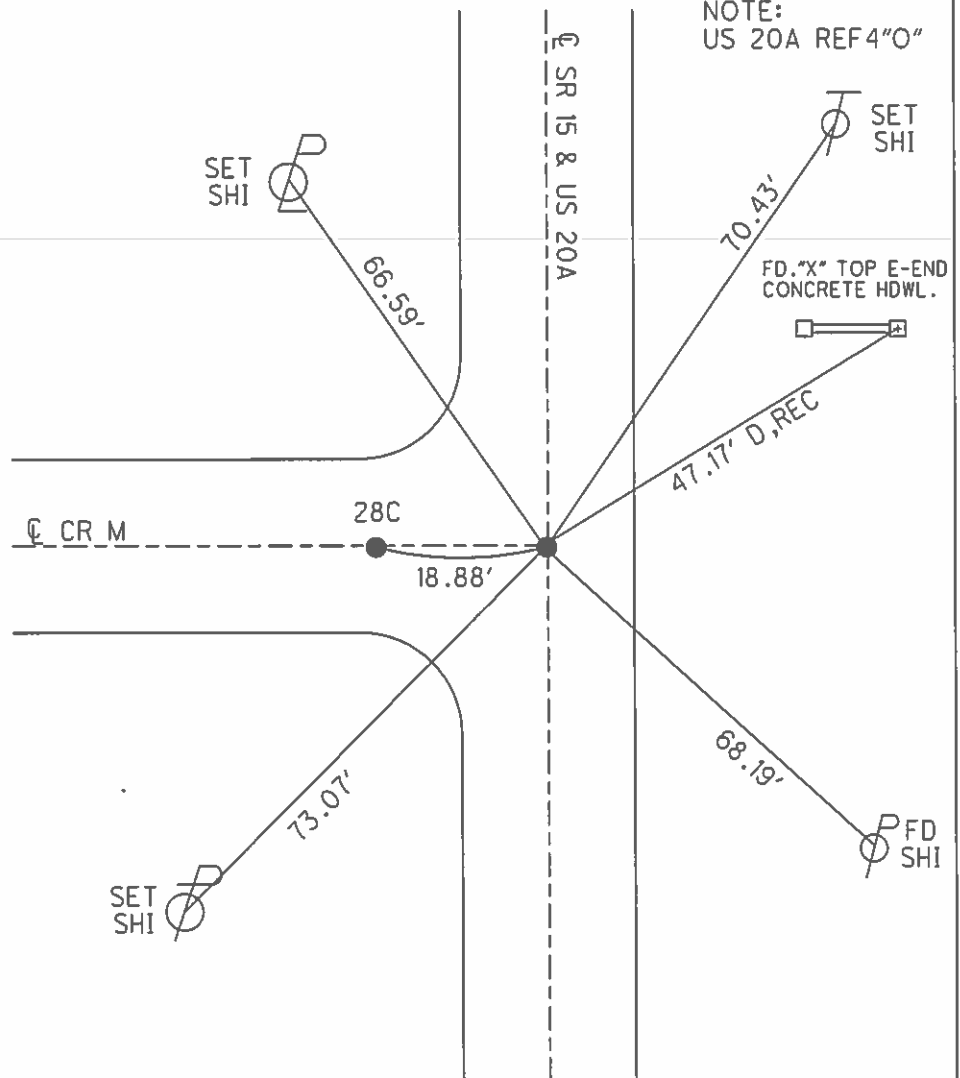
PERSONNEL _____ REFERENCE NO. 29 SHEET 16 OF 40
 NOTES NUHFER _____ DATE 6/20/07 ROUTE SR 15
 H.C. NUHFER _____ WEATHER SUNNY COUNTY WILLIAMS
 R.C. HUSS _____ TEMP. 75° TOWNSHIP JEFFERSON
 _____ SECTION 5
 _____ T 7 N R 3 E

TYPE MONUMENT P.K./WASHER
 ON SURFACE - ~~BELOW~~ ON
 LEFT - ☉ PAV'T - RIGHT ON
11.5' TOLT EDGE PAVEMENT
 S.L.M. 564+79.48
 GRID: NORTHING: 711309.087 EASTING: 1406275.735



RECORD:
 FD P.K./WASHER
 7/16/92
 SET P.K./WASHER
 9/22/92, CL
 FD P.K./WASHER
 10/22/13
 REF29
 10/23/13, TMR
 SET MAG/WASHER
 NEWREF29
 8/29/16, JFO

NOTE:
 US 20A REF 4"O"

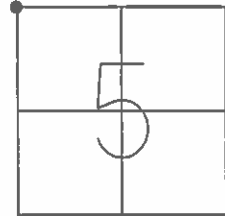


O.D.O.T. DISTRICT 2 SURVEY OFFICE (USE ONLY)

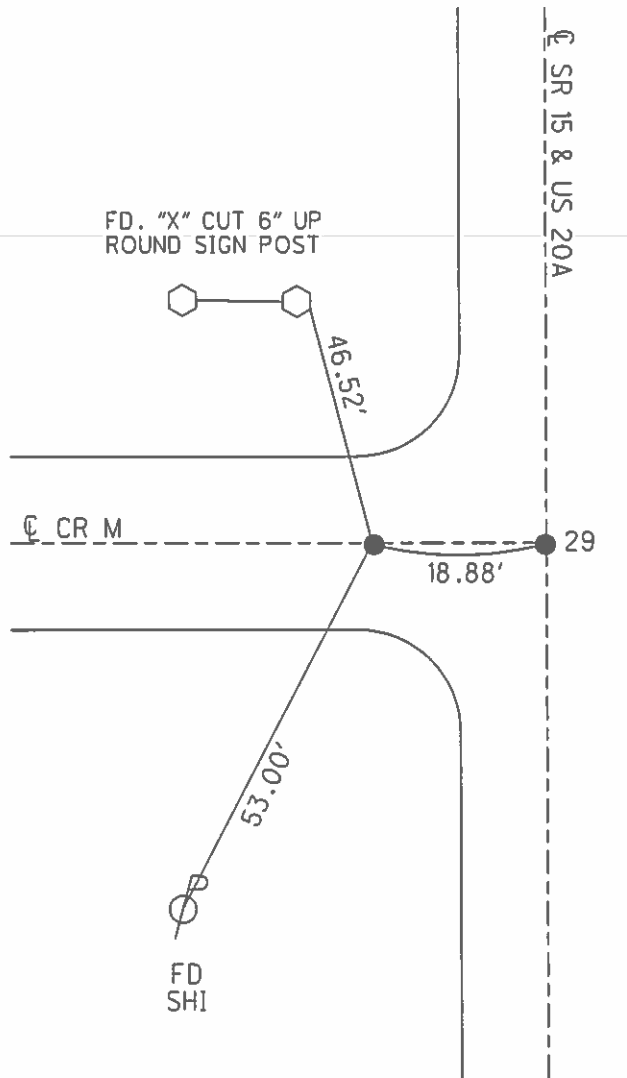
PERSONNEL _____ REFERENCE NO. 28 C SHEET 17 OF 40

NOTES NUHFER _____ DATE 6/20/07 ROUTE SR 15
 H.C. NUHFER _____ WEATHER SUNNY COUNTY WILLIAMS
 R.C. HUSS _____ TEMP. 75° TOWNSHIP JEFFERSON
 _____ SECTION 5
 _____ T 7 N R 3 E

TYPE MONUMENT BOLT
 ON SURFACE - ~~BELOW~~ ON
~~LEFT~~ - ☉ PAV'T - RIGHT 18.88'
- TO - EDGE PAVEMENT
 S.L.M. 564+79
 GRID: NORTHING: _____ EASTING: _____



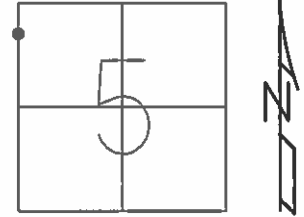
NOTE:
 US 20A REF4P



O.D.O.T. DISTRICT 2 SURVEY OFFICE (USE ONLY)

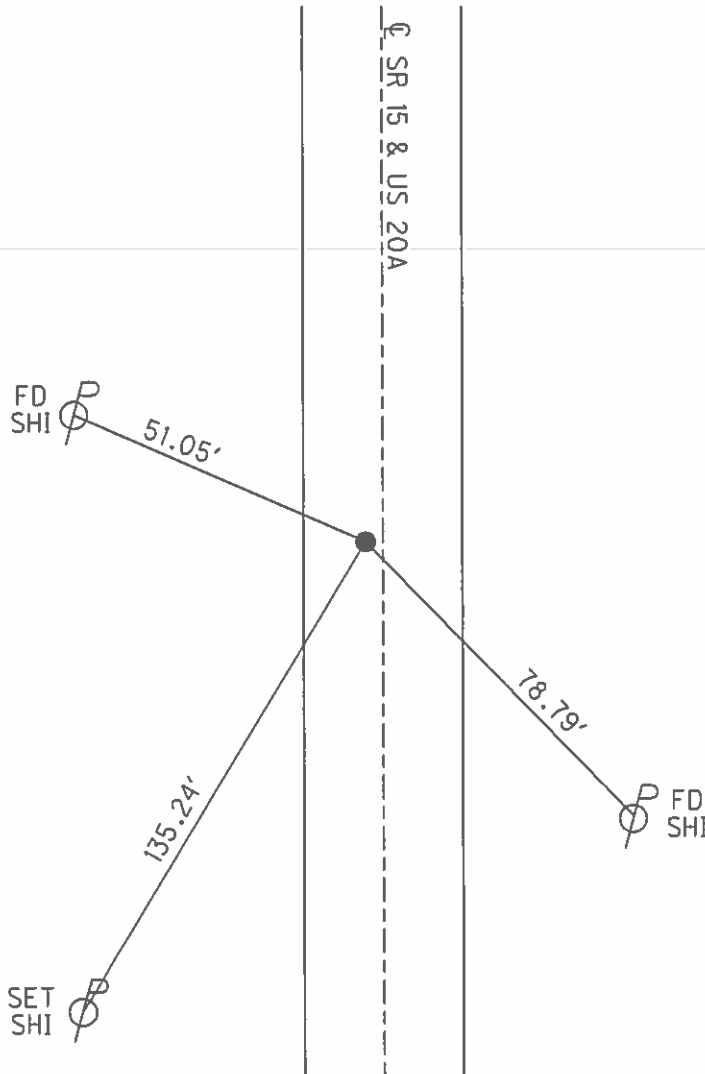
PERSONNEL _____ REFERENCE NO. 28 B SHEET 18 OF 40
 NOTES O'DONNELL DATE 4/1/16 ROUTE SR 15
 H.C. RHOADES WEATHER CLOUDY COUNTY WILLIAMS
 R.C. O'DONNELL TEMP. 43° TOWNSHIP JEFFERSON
 _____ SECTION 5
 _____ T 7 N R 3 E

TYPE MONUMENT P.K./WASHER
 ON SURFACE - ~~BELOW~~ ON
~~LEFT~~ - Q PAV'T - RIGHT 4.5'
8.8' TO RT EDGE PAVEMENT
 S.L.M. 569+44.65
 GRID: NORTHING: 710844.856 EASTING: 1406245.011



NOTE:
US 20A REF40

RECORD: P.I.
 FD R.R.SPIKE
 ON SURFACE
 7/16/92
 SET P.K./WASHER
 9/22/92, CL
 FD P.K./WASHER
 10/22/13
 REFB28
 10/23/13, TMR
 SET MAG/WASHER
 NEWREFB28
 8/29/16, JFO

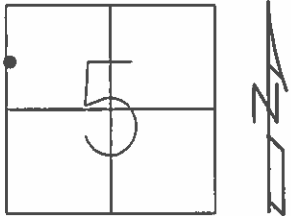


O.D.O.T. DISTRICT 2 SURVEY OFFICE (USE ONLY)

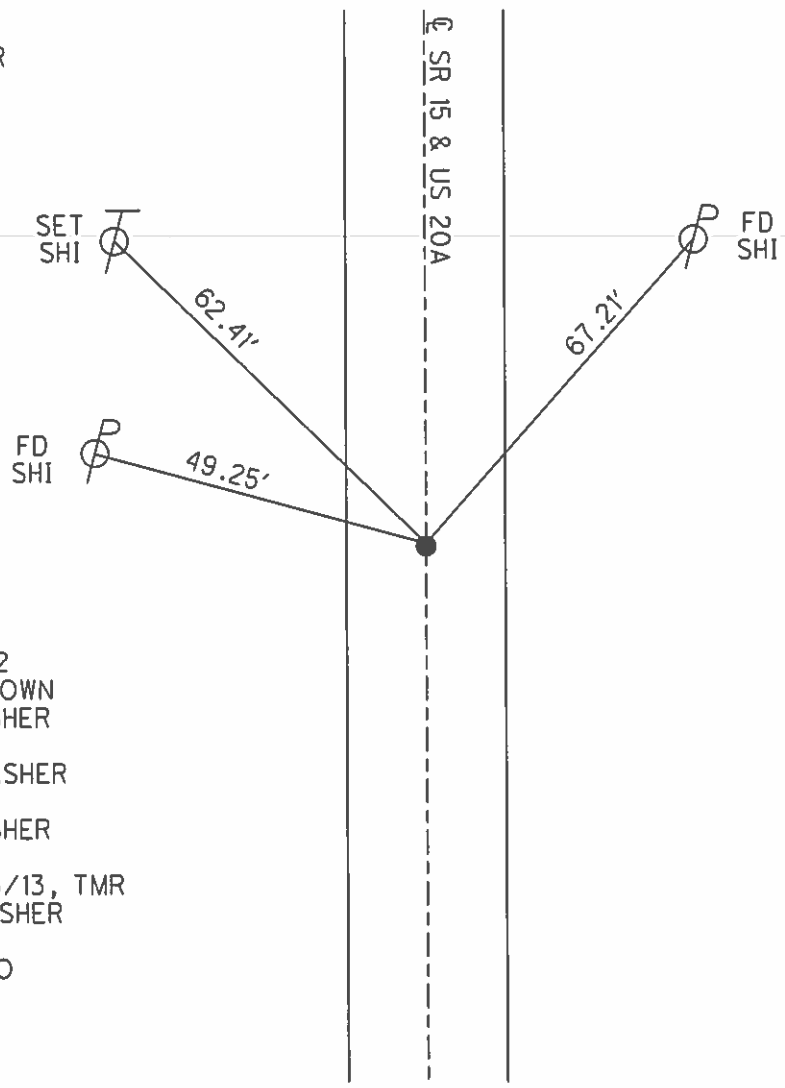
PERSONNEL _____ REFERENCE NO. 28 A SHEET 19 OF 40

NOTES O'DONNELL DATE 4/1/16 ROUTE SR 15
 H.C. RHOADES WEATHER CLOUDY COUNTY WILLIAMS
 R.C. O'DONNELL TEMP. 43° TOWNSHIP JEFFERSON
 _____ SECTION 5
 _____ T 7 N R 3 E

TYPE MONUMENT P.K./WASHER
 ON SURFACE - ~~BELOW~~ ON
 LEFT - ☉ PAV'T - RIGHT ON
12.5' TO LT EDGE PAVEMENT
 S.L.M. 587+46.58
 GRID: NORTHING: 709043.495 EASTING: 1406199.485



NOTE:
US 20A REF4R

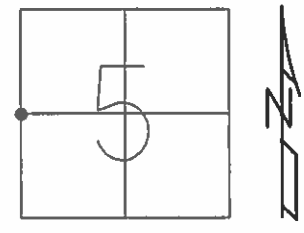


RECORD: 1982
 ORIGIN UNKNOWN
 FD P.K./WASHER
 7/16/92
 SET P.K./WASHER
 9/22/92, CL
 FD P.K./WASHER
 10/2/13
 REFA2810/23/13, TMR
 SET MAG/WASHER
 NEWREFA28
 8/29/16, JFO

O.D.O.T. DISTRICT 2 SURVEY OFFICE (USE ONLY)

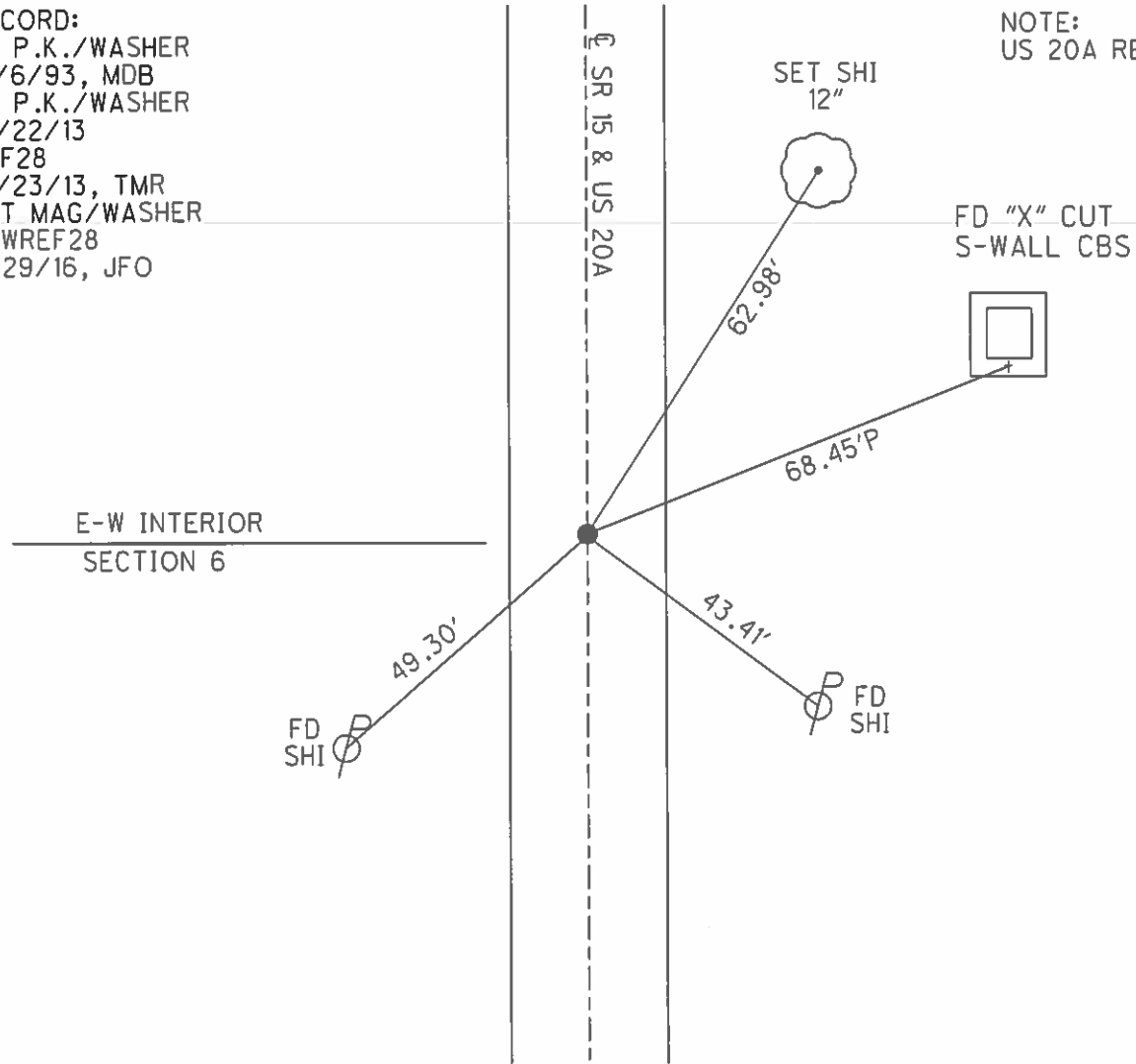
PERSONNEL _____ REFERENCE NO. 28 SHEET 20 OF 40
 NOTES O'DONNELL DATE 4/1/16 ROUTE SR 15
 H.C. RHOADES WEATHER CLOUDY COUNTY WILLIAMS
 R.C. O'DONNELL TEMP. 43° TOWNSHIP JEFFERSON
 _____ SECTION 5
 _____ T 7 N R 3 E

TYPE MONUMENT P.K./WASHER
 ON SURFACE - ~~BELOW~~ ON
 LEFT - ☉ PAV'T - RIGHT ON
11.7' TO RT EDGE PAVEMENT
 S.L.M. 590+06.81
 GRID: NORTHING: 708783.265 EASTING: 1406192.693



RECORD:
 FD P.K./WASHER
 12/6/93, MDB
 FD P.K./WASHER
 10/22/13
 REF28
 10/23/13, TMR
 SET MAG/WASHER
 NEWREF28
 8/29/16, JFO

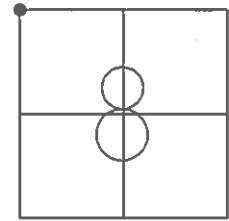
NOTE:
 US 20A REF4S



O.D.O.T. DISTRICT 2 SURVEY OFFICE (USE ONLY)

PERSONNEL _____ REFERENCE NO. 27 SHEET 21 OF 40
 NOTES BARNHISEL DATE 12/6/93 ROUTE SR 15
 H.C. VAN DUSEN WEATHER RAIN COUNTY WILLIAMS
 R.C. CORDES TEMP. 40° TOWNSHIP JEFFERSON
 _____ SECTION 8
 _____ T 7 N R 3 E

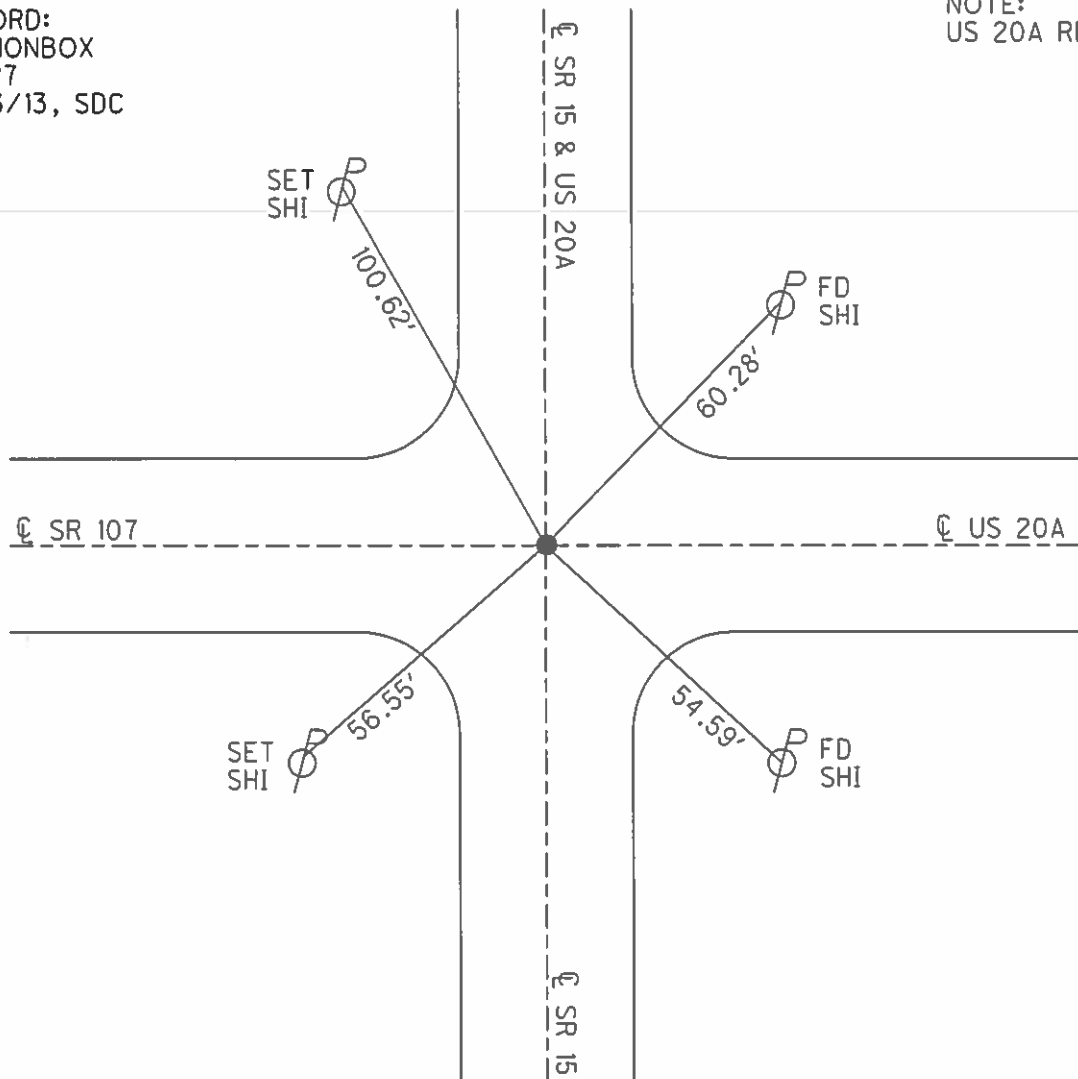
TYPE MONUMENT P.K.NAIL
 ON SURFACE - ~~BELOW~~ _____ ON _____
 LEFT - ☉ PAV'T - RIGHT _____ ON _____
 - _____ TO - _____ EDGE PAVEMENT
 S.L.M. 616+51.12



GRID: NORTHING: 706139.598 EASTING: 1406138.589

RECORD:
 FD MONBOX
 REF27
 9/23/13, SDC

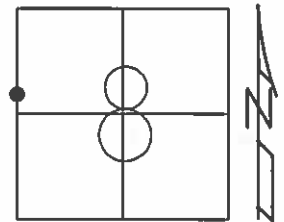
NOTE:
 US 20A REF4T



O.D.O.T. DISTRICT 2 SURVEY OFFICE (USE ONLY)

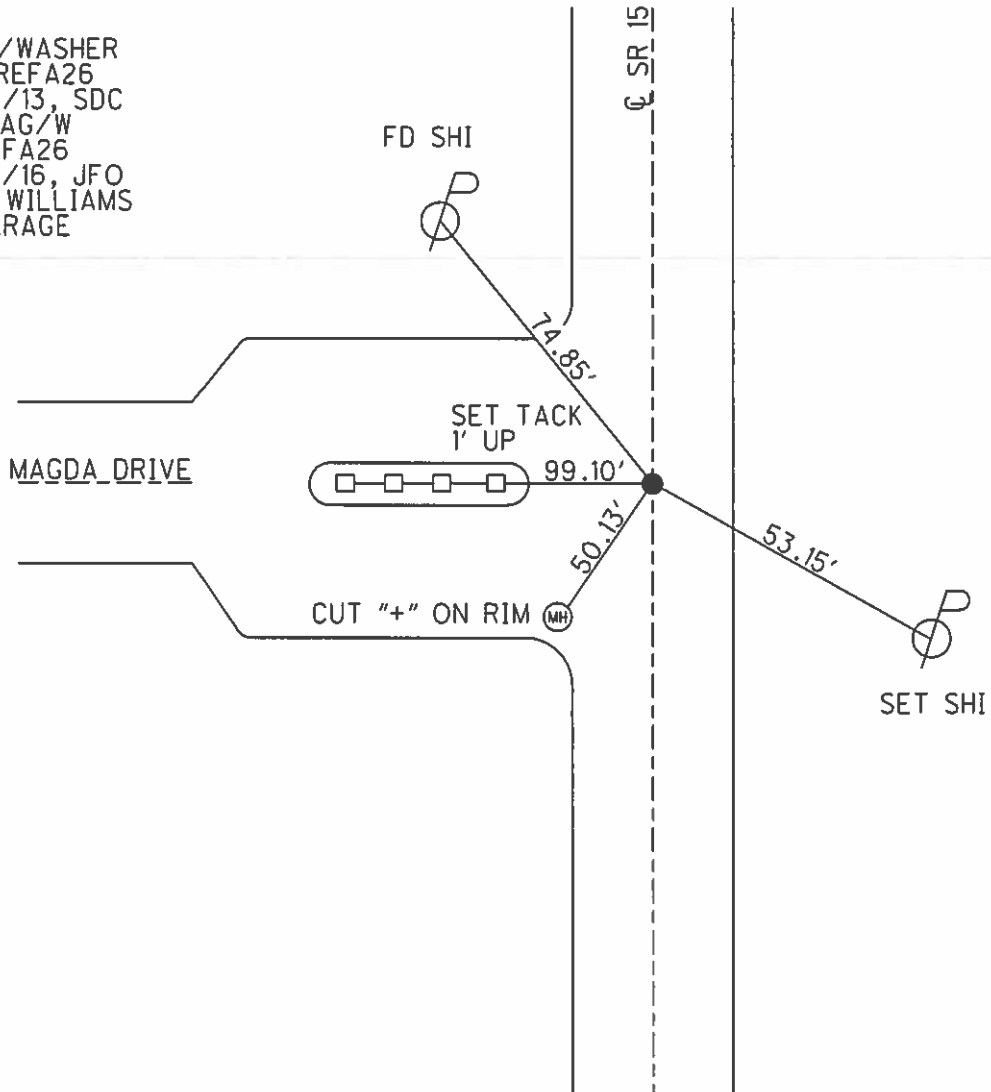
PERSONNEL	REFERENCE NO.	26-A	SHEET	22	OF	40
NOTES	O'DONNELL	DATE	04/01/16	ROUTE	SR 15	
H.C.	RHOADES	WEATHER	CLOUDY	COUNTY	WILLIAMS	
R.C.	O'DONNELL	TEMP.	44°	TOWNSHIP	JEFFERSON	
				SECTION	8	
				T	7	N
				R	3	E

TYPE MONUMENT _____ PK NAIL _____
 ON SURFACE - ~~BELOW~~ _____ ON _____
~~LEFT~~ - Q PAV'T - ~~RIGHT~~ _____ ON _____
11.2 TO LT EDGE PAVEMENT
 S.L.M. _____ 638+95.02 _____



Grid: Northing: 703896.162 Easting: 1406092.540

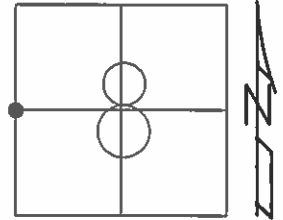
FD PK/WASHER
 GPS, REFA26
 09/23/13, SDC
 SET MAG/W
 NEWREFA26
 08/29/16, JFO
 ODOT WILLIAMS
 CO GARAGE



O.D.O.T. DISTRICT 2 SURVEY OFFICE (USE ONLY)

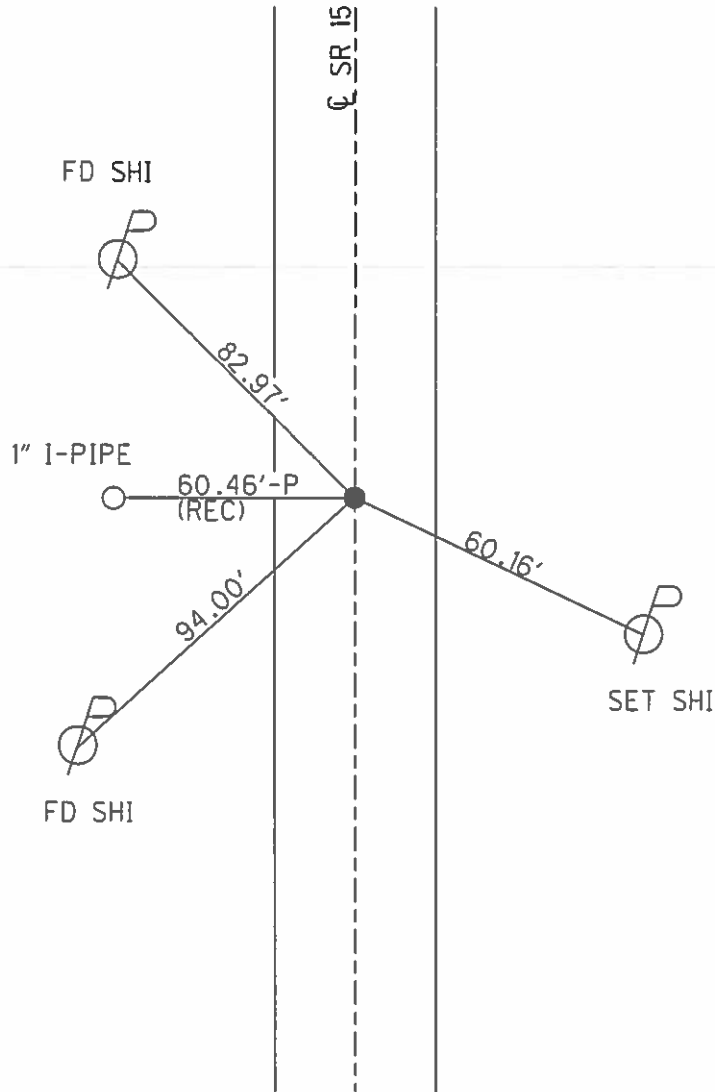
PERSONNEL _____ REFERENCE NO. 26 SHEET 23 OF 40
 NOTES O'DONNELL DATE 04/01/16 ROUTE SR 15
 H.C. RHOADES WEATHER CLOUDY COUNTY WILLIAMS
 R.C. O'DONNELL TEMP. 43° TOWNSHIP JEFFERSON
 _____ SECTION 8
 _____ T 7 N R 3 E

TYPE MONUMENT _____ SM RR SPK
 ON SURFACE - ~~BELOW~~ _____ ON _____
~~LEFT~~ - Q PAV'T - ~~RIGHT~~ _____ ON _____
11.8 TO RT EDGE PAVEMENT
 S.L.M. _____ 642+95.82



Grid: Northing: 703495.449 Easting: 1406084.544

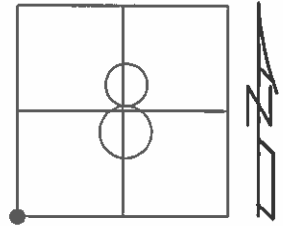
FD PK NAIL
 GPS, REF26
 09/23/13, SDC
 SET MAG/W
 NEWREF26
 08/29/16, JFO



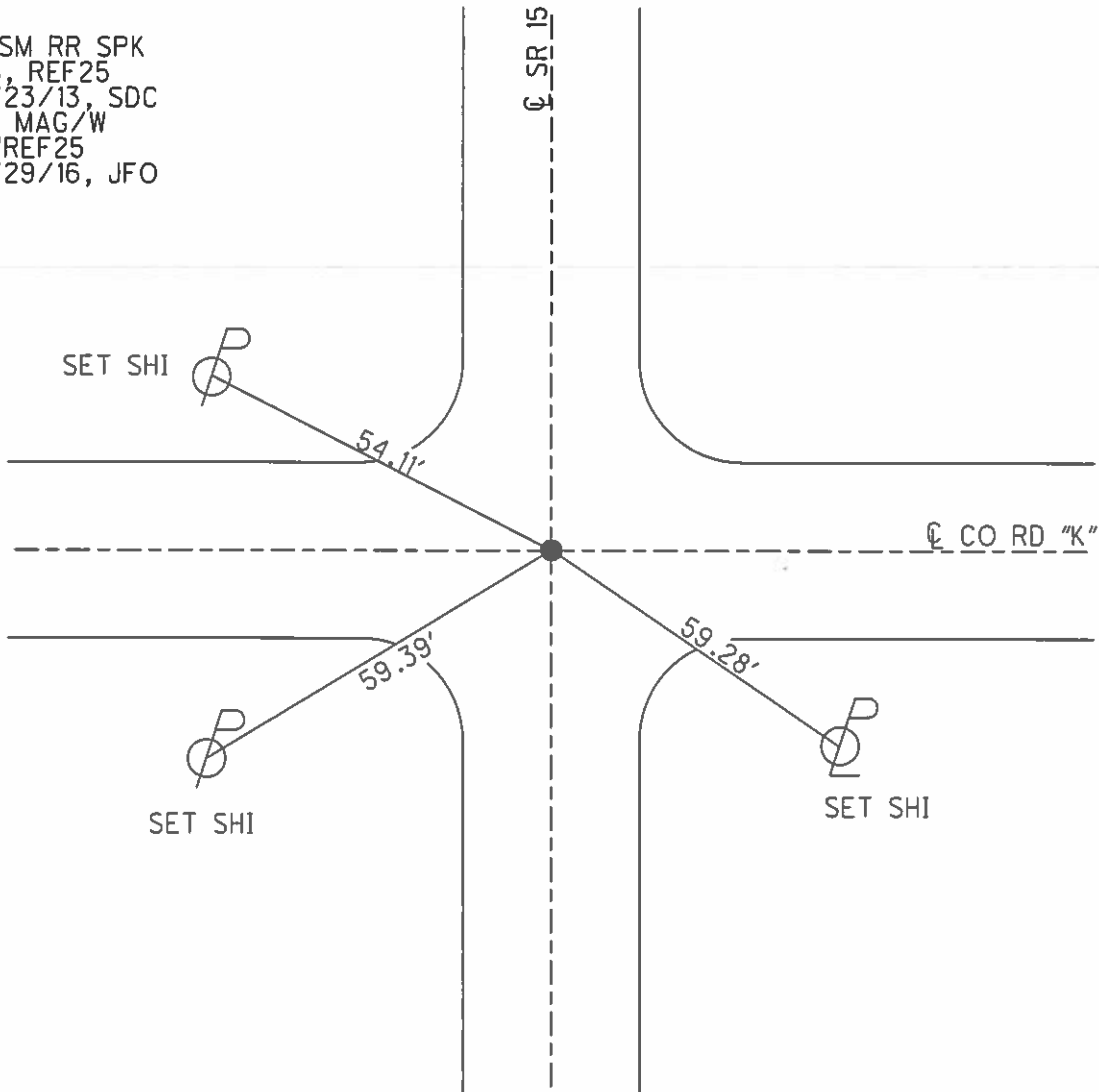
O.D.O.T. DISTRICT 2 SURVEY OFFICE (USE ONLY)

PERSONNEL _____ REFERENCE NO. 25 SHEET 24 OF 40
 NOTES RHOADES DATE 03/29/16 ROUTE SR 15
 H.C. O'DONNELL WEATHER CLEAR COUNTY WILLIAMS
 R.C. RHOADES TEMP. 48° TOWNSHIP JEFFERSON
 _____ SECTION 8
 _____ T 7 N R 3 E

TYPE MONUMENT _____ SM RR SPK
 ON SURFACE - ~~BELOW~~ _____ ON
~~LEFT~~ - ☉ PAV'T - ~~RIGHT~~ _____ ON
11.8 TO RT EDGE PAVEMENT
 S.L.M. _____ 669+66.74
 Grid: Northing: 700825.102 Easting: 1406029.454



FD SM RR SPK
 GPS, REF25
 09/23/13, SDC
 SET MAG/W
 NEWREF25
 08/29/16, JFO

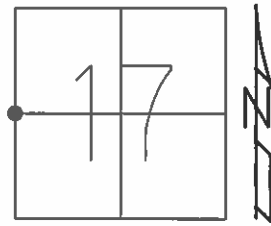


O.D.O.T. DISTRICT 2 SURVEY OFFICE (USE ONLY)

PERSONNEL _____ REFERENCE NO. 24 SHEET 25 OF 40

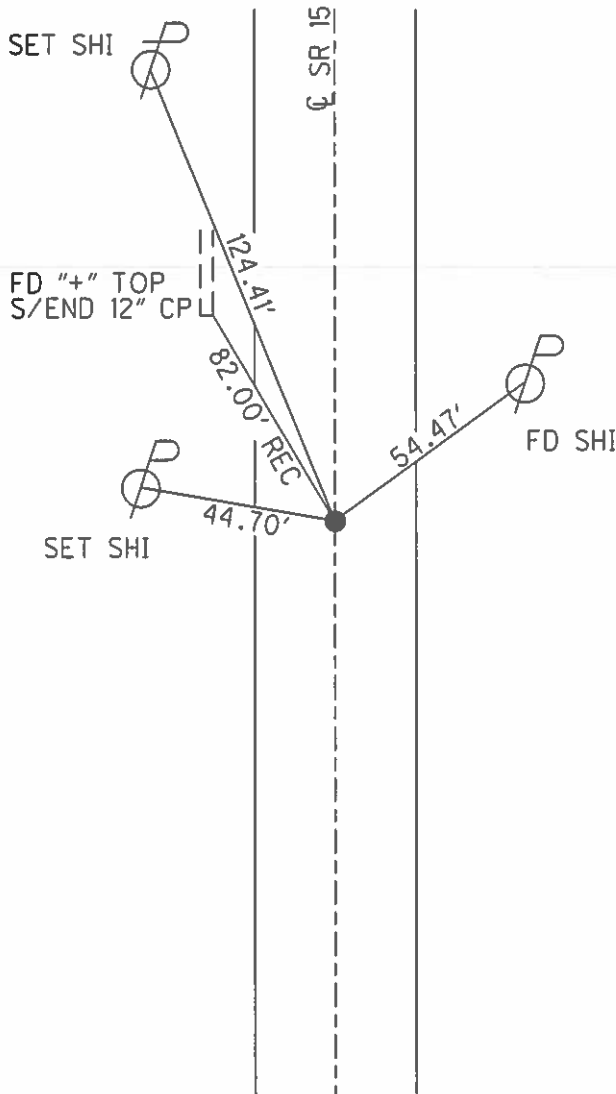
NOTES RHOADES DATE 03/29/16 ROUTE SR 15
 H.C. O'DONNELL WEATHER CLEAR COUNTY WILLIAMS
 R.C. RHOADES TEMP. 45° TOWNSHIP JEFFERSON
 _____ SECTION 17
 _____ T 7 N R 3 E

TYPE MONUMENT _____ SM RR SPK
 ON SURFACE - ~~BELOW~~ _____ ON _____
 LEFT - ~~C~~ PAV'T - ~~R~~ RIGHT _____ 1'
 _____ TO _____ EDGE PAVEMENT
 S.L.M. _____ 696+23.27



Grid: Northing: 698168.869 Easting: 1405985.043

SET SM RR SPK
 10/24/90, IRS
 FD SM RRSPK
 GPS, REF24
 09/23/13, SDC
 SET MAG/W
 NEWREF24
 08/29/16, JFO



O.D.O.T. DISTRICT 2 SURVEY OFFICE (USE ONLY)

PERSONNEL _____ REFERENCE NO. 23 SHEET 26 OF 40

NOTES RHOADES DATE 03/29/16 ROUTE SR 15
 H.C. O'DONNELL WEATHER CLEAR COUNTY WILLIAMS
 R.C. RHOADES TEMP. 35° TOWNSHIP JEFFERSON
 SECTION 17-18-19-20
 T 7 N R 3 E

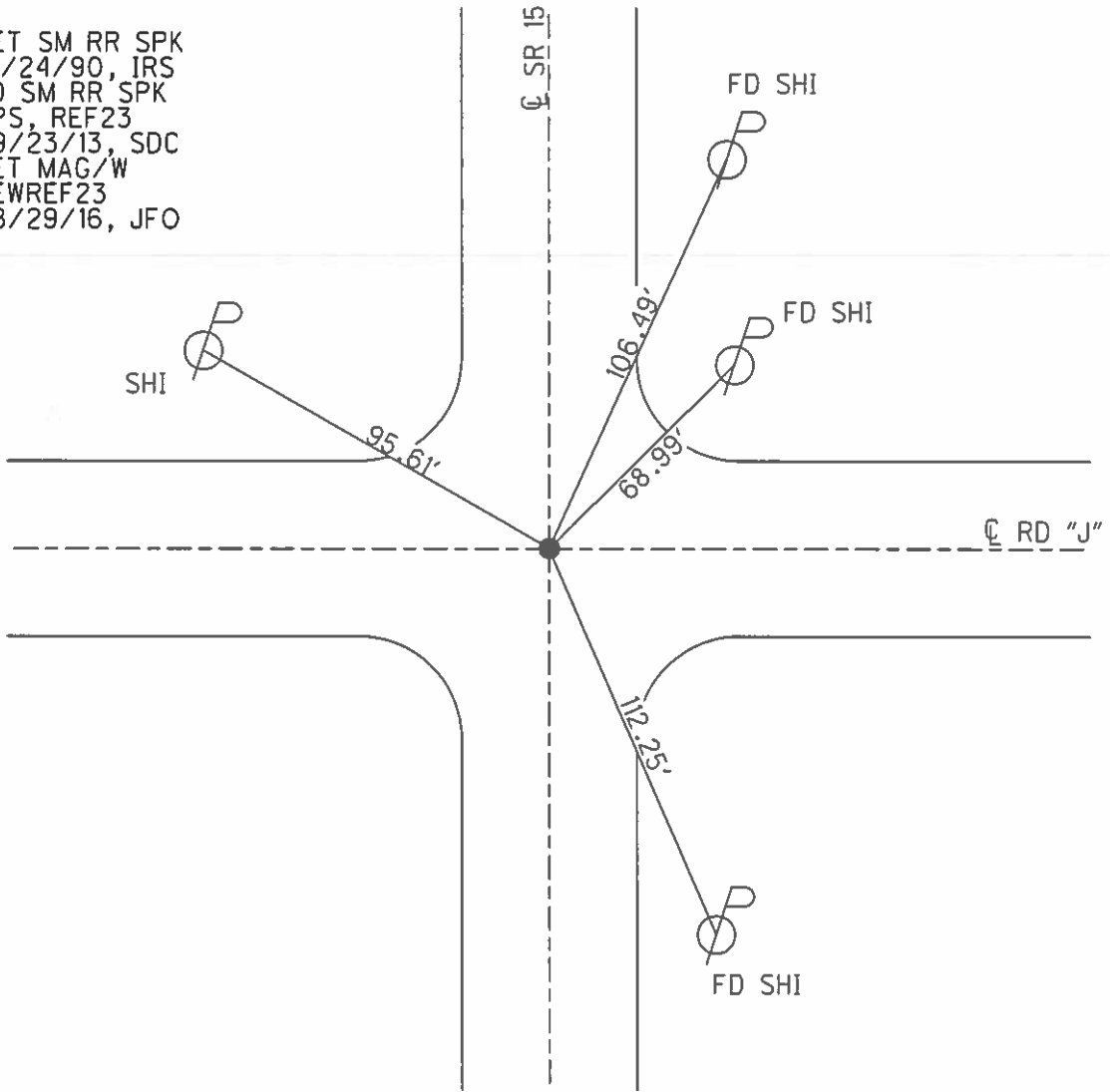
TYPE MONUMENT _____ SM RR SPK
 ON SURFACE - ~~BELOW~~ _____ ON _____
 LEFT - ☉ PAV'T - RIGHT _____
 _____ TO _____ EDGE PAVEMENT
 S.L.M. _____ 722+68.31

18	17
19	20



Grid: Northing: 695524.654 Easting: 1405921.854

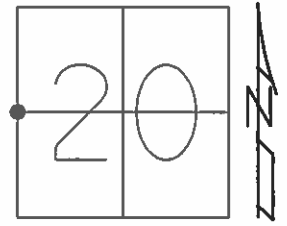
SET SM RR SPK
 10/24/90, IRS
 FD SM RR SPK
 GPS, REF23
 09/23/13, SDC
 SET MAG/W
 NEWREF23
 08/29/16, JFO



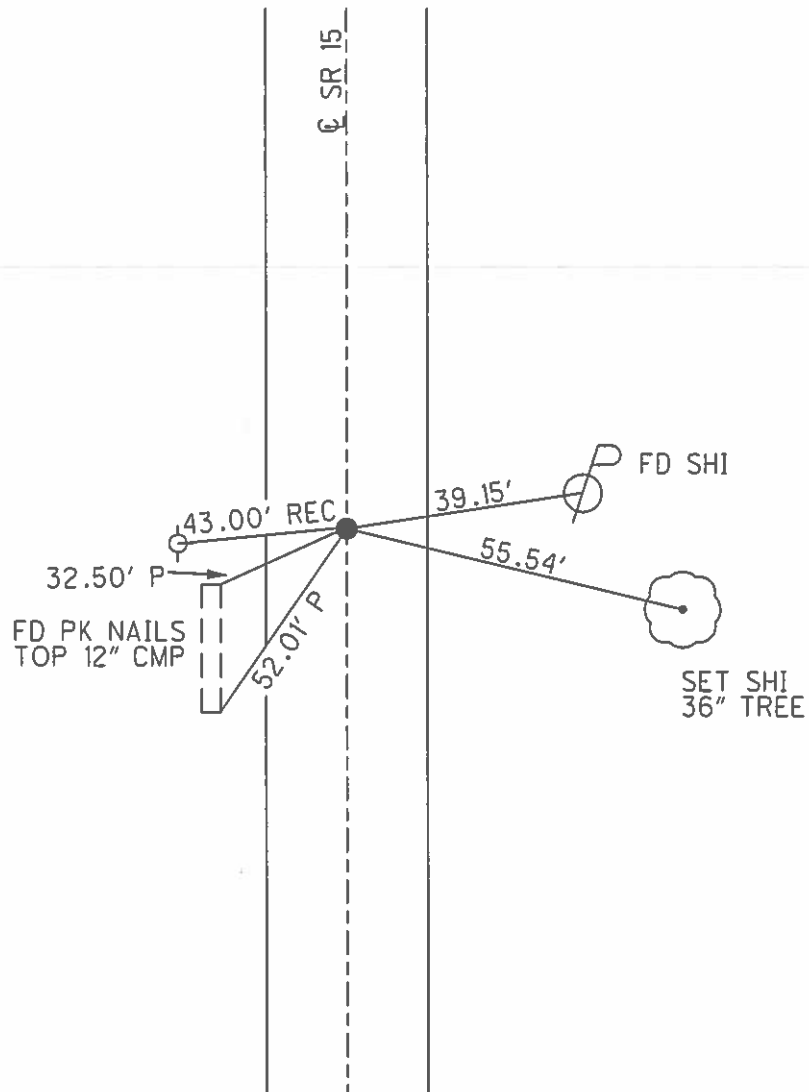
O.D.O.T. DISTRICT 2 SURVEY OFFICE (USE ONLY)

PERSONNEL _____ REFERENCE NO. 22 SHEET 27 OF 40
 NOTES RHOADES DATE 03/29/16 ROUTE SR 15
 H.C. O'DONNELL WEATHER CLEAR COUNTY WILLIAMS
 R.C. RHOADES TEMP. 35° TOWNSHIP JEFFERSON
 _____ SECTION 20
 _____ T 7 N R 3 E

TYPE MONUMENT _____ SM RR SPK
 ON SURFACE - ~~BELOW~~ _____ ON _____
 LEFT - ☉ PAV'T - RIGHT _____
 _____ TO _____ EDGE PAVEMENT
 S.L.M. _____ 749+04.60
 Grid: Northing: 692888.763 Easting: 1405876.696



SET SM RR SPK
 10/24/90, IRS
 FD SM RR SPK
 GPS, REF22
 09/24/13, SDC
 SET MAG/W
 NEWREF22
 08/30/16, JFO



O.D.O.T. DISTRICT 2 SURVEY OFFICE (USE ONLY)

PERSONNEL _____ REFERENCE NO. 21 SHEET 28 OF 40
 NOTES RHOADES DATE 03/29/16 ROUTE SR 15
 H.C. O'DONNELL WEATHER CLEAR COUNTY WILLIAMS
 R.C. RHOADES TEMP. 35° TOWNSHIP JEFFERSON
 SECTION 19-20-29-30
 T 7 N R 3 E

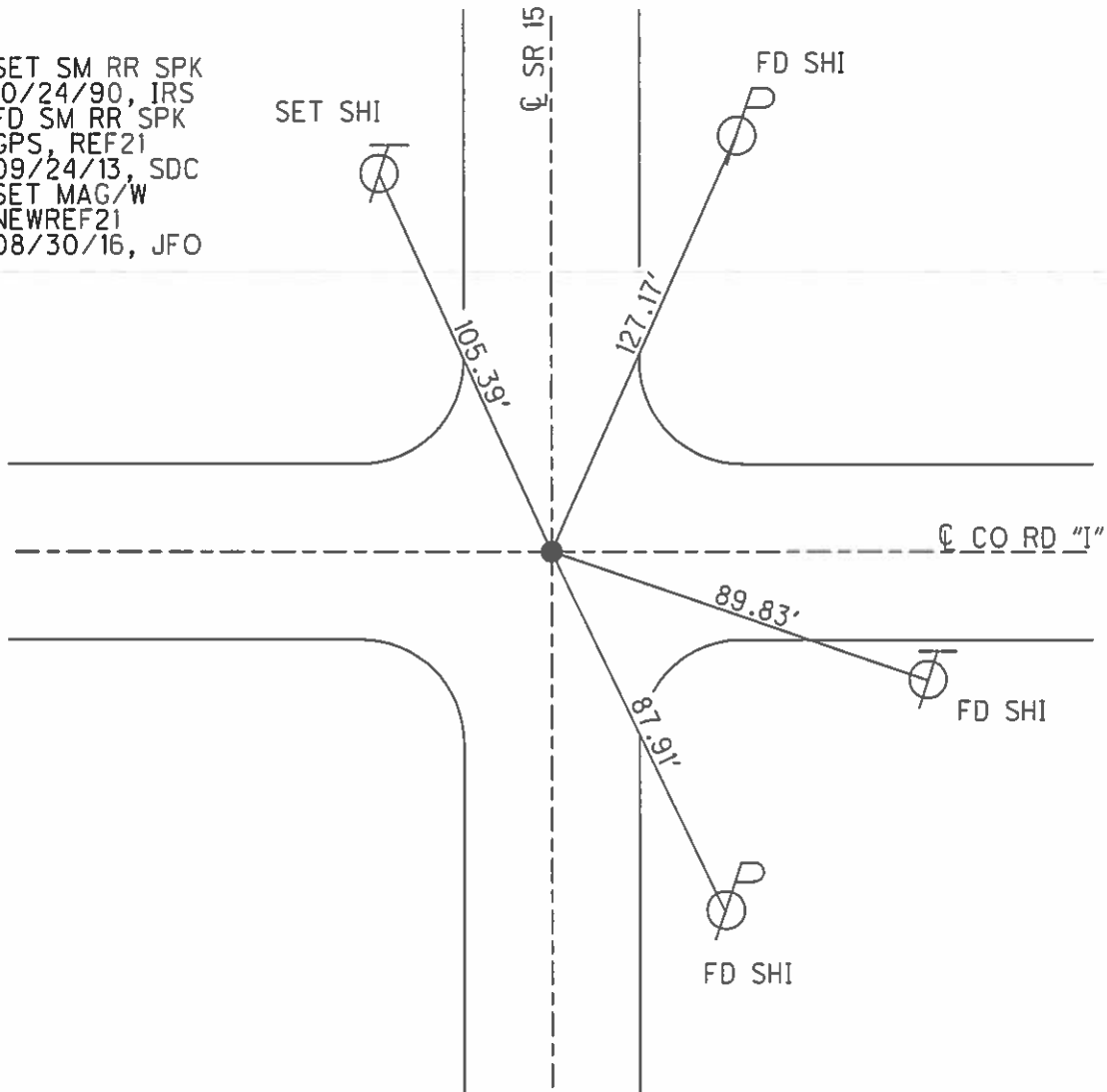
TYPE MONUMENT SM RR SPK
 ON SURFACE - ~~BELOW~~ ON
 LEFT - ☉ PAV'T - RIGHT _____
 _____ TO _____ EDGE PAVEMENT
 S.L.M. 775+37.89

19	20
30	29



Grid: Northing: 690255.923 Easting: 1405828.988

SET SM RR SPK
 10/24/90, IRS
 FD SM RR SPK
 GPS, REF21
 09/24/13, SDC
 SET MAG/W
 NEWREF21
 08/30/16, JFO

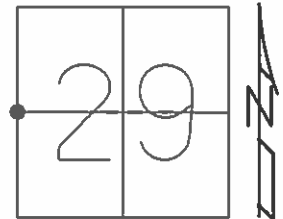


O.D.O.T. DISTRICT 2 SURVEY OFFICE (USE ONLY)

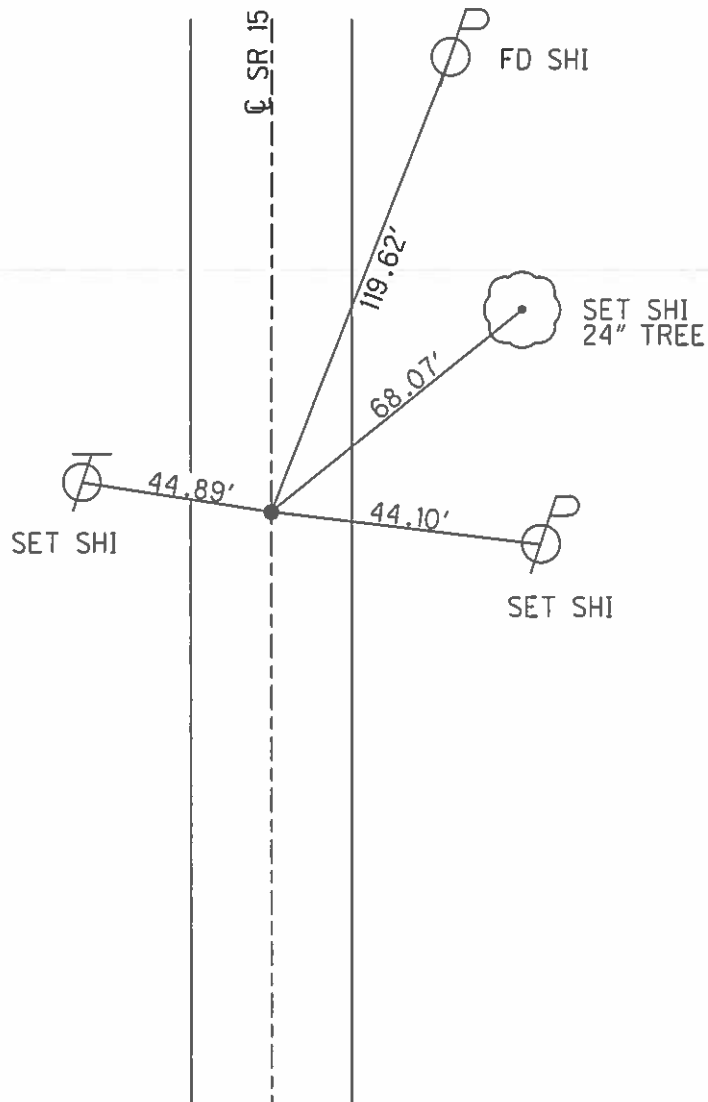
PERSONNEL _____ REFERENCE NO. 20 SHEET 29 OF 40
 NOTES RHOADES DATE 03/29/16 ROUTE SR 15
 H.C. O'DONNELL WEATHER CLEAR COUNTY WILLIAMS
 R.C. RHOADES TEMP. 35° TOWNSHIP JEFFERSON
 _____ SECTION 29
 _____ T 7 N R 3 E

TYPE MONUMENT RR SPK SHANK
~~ON SURFACE~~ - BELOW 1"
~~LEFT~~ - CL PAV'T - ~~RIGHT~~ ON
_____ TO _____ EDGE PAVEMENT
 S.L.M. 801+79.06

Grid: Northing: 687615.179 Easting: 1405776.887



SET SM RR SPK
 10/24/90, IRS
 FD SM RR SPK
 GPS, REF20
 09/24/13, SDC
 SET MAG/W
 NEWREF20
 08/30/16, JFO



O.D.O.T. DISTRICT 2 SURVEY OFFICE (USE ONLY)

PERSONNEL _____ REFERENCE NO. 19 SHEET 30 OF 40

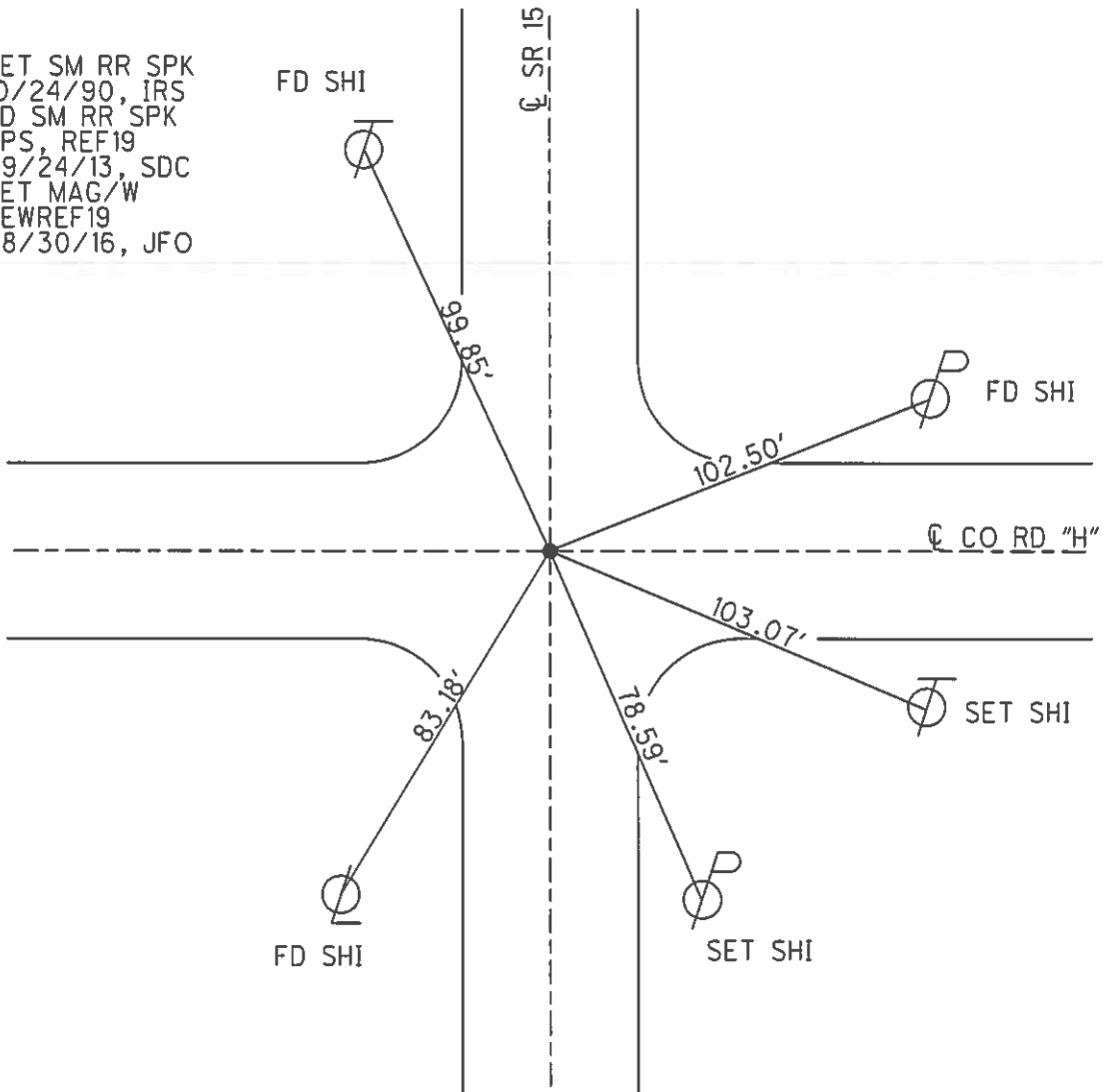
NOTES RHOADES DATE 03/29/16 ROUTE SR 15
 H.C. O'DONNELL WEATHER CLEAR COUNTY WILLIAMS
 R.C. RHOADES TEMP. 35° TOWNSHIP JEFFERSON
 SECTION 29-30-31-32
 T 7 N R 3 E

TYPE MONUMENT _____ SM RR SPK _____
 ON SURFACE - ~~BELOW~~ _____ ON _____
 LEFT - ☉ PAV'T - RIGHT _____
 _____ TO _____ EDGE PAVEMENT
 S.L.M. _____ 828+13.48
 Grid: Northing: 684981.350 Easting: 1405723.252

30	29
31	32



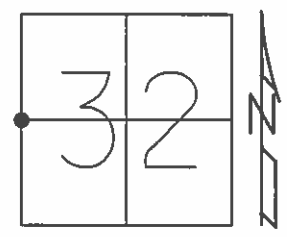
SET SM RR SPK
 10/24/90, IRS
 FD SM RR SPK
 GPS, REF19
 09/24/13, SDC
 SET MAG/W
 NEWREF19
 08/30/16, JFO



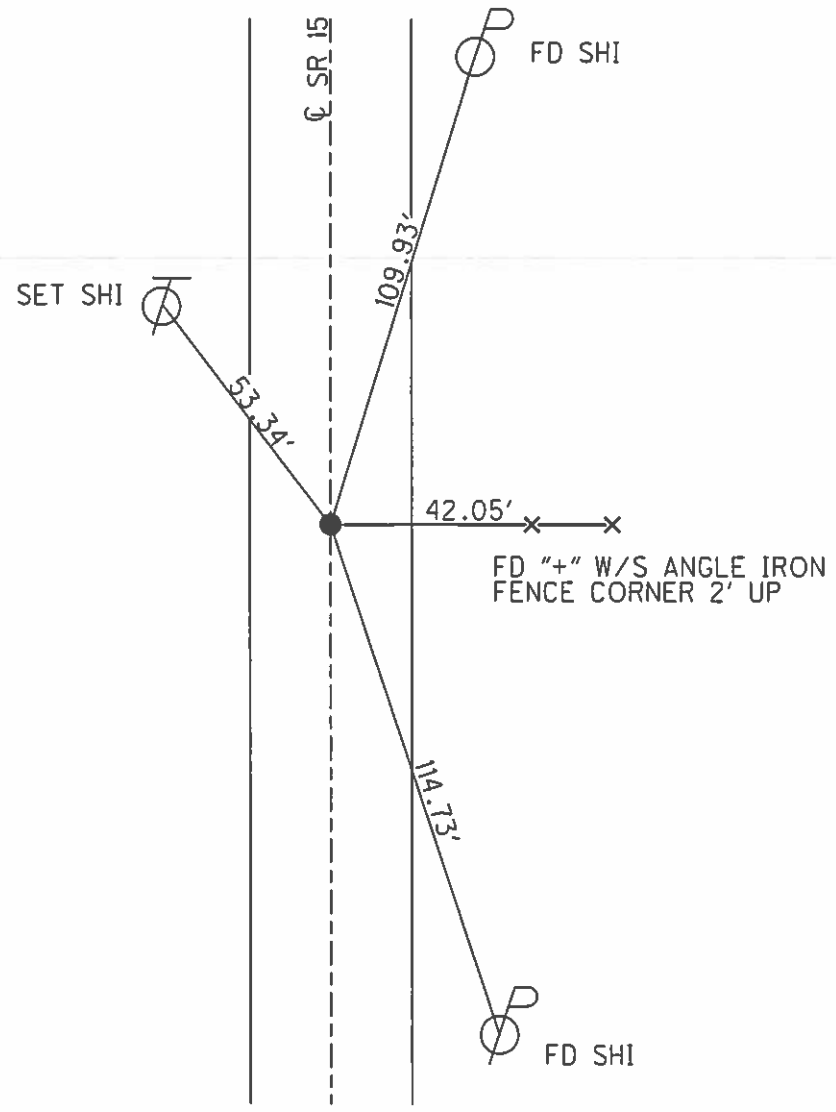
O.D.O.T. DISTRICT 2 SURVEY OFFICE (USE ONLY)

PERSONNEL _____ REFERENCE NO. 18 SHEET 31 OF 40
 NOTES RHOADES DATE 03/29/16 ROUTE SR 15
 H.C. O'DONNELL WEATHER CLEAR COUNTY WILLIAMS
 R.C. RHOADES TEMP. 35° TOWNSHIP JEFFERSON
 _____ SECTION 32
 _____ T 7 N R 3 E

TYPE MONUMENT _____ SM RR SPK
 ON SURFACE - ~~BELOW~~ _____ ON _____
 LEFT - ☉ PAV'T - RIGHT _____
 _____ TO _____ EDGE PAVEMENT
 S.L.M. _____ 854+66.93
 Grid: Northing: 682328.2424 Easting: 1405677.755



SET SM RR SPK
 10/24/90, IRS
 FD SM RR SPK
 GPS, REF18
 09/24/13, SDC
 SET MAG/W
 NEWREF18
 08/30/16, JFO



O.D.O.T. DISTRICT 2 SURVEY OFFICE (USE ONLY)

PERSONNEL _____ REFERENCE NO. 17 SHEET 32 OF 40

NOTES RHOADES DATE 03/29/16 ROUTE SR 15
 H.C. O'DONNELL WEATHER CLEAR COUNTY WILLIAMS
 R.C. RHOADES TEMP. 35° TOWNSHIP PULASKI
 SECTION 5-6-31-32
 T 6 N R 3 E

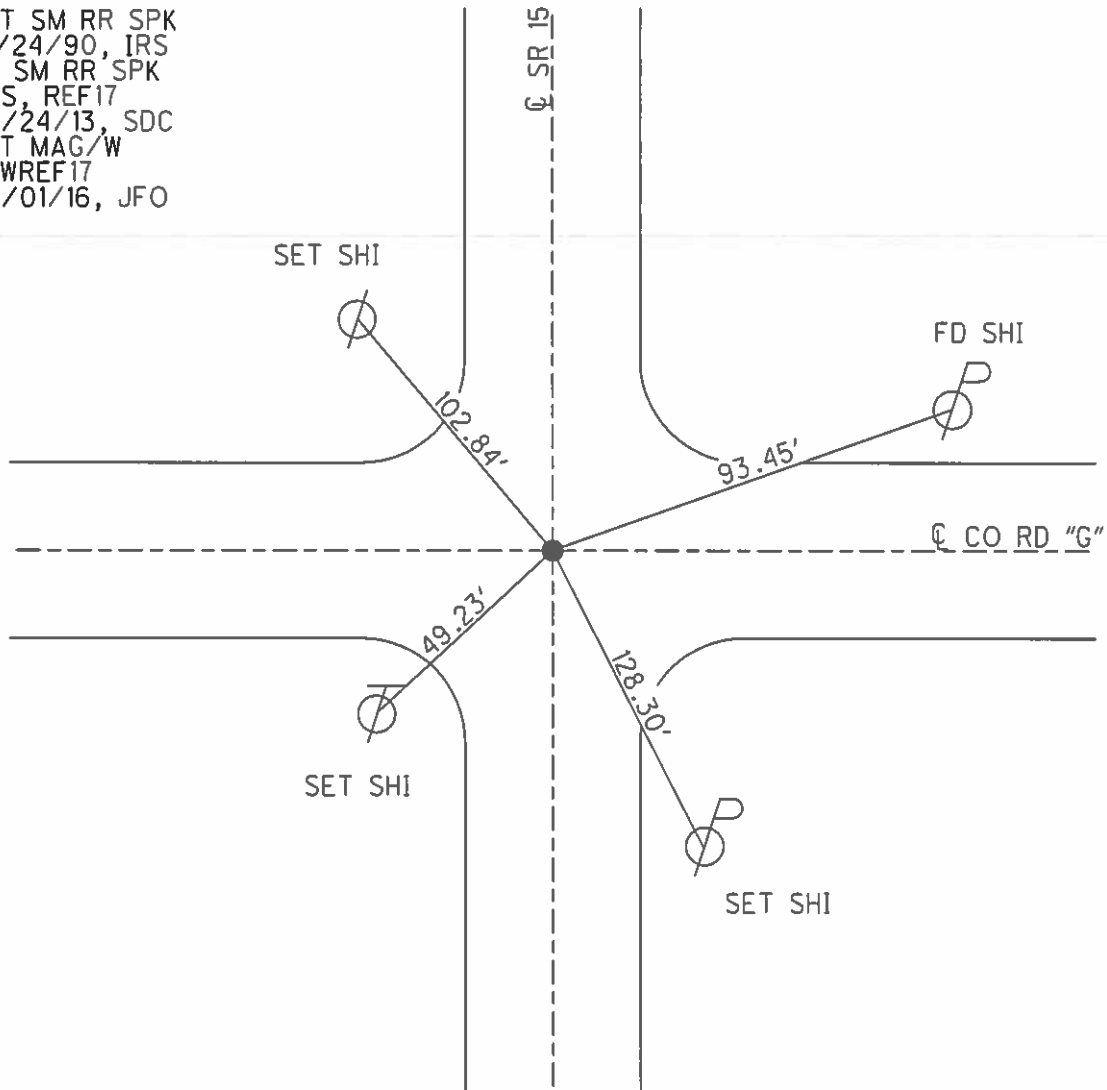
TYPE MONUMENT _____ SM RR SPK _____
 ON SURFACE - ~~BELOW~~ _____ ON _____
 LEFT - ☉ PAV'T - RIGHT _____
 _____ TO _____ EDGE PAVEMENT
 S.L.M. _____ 881+05.31 _____

31	32
6	5



Grid: Northing: 679690.3967 Easting: 1405629.067

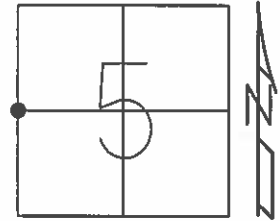
SET SM RR SPK
 10/24/90, IRS
 FD SM RR SPK
 GPS, REF17
 09/24/13, SDC
 SET MAG/W
 NEWREF17
 09/01/16, JFO



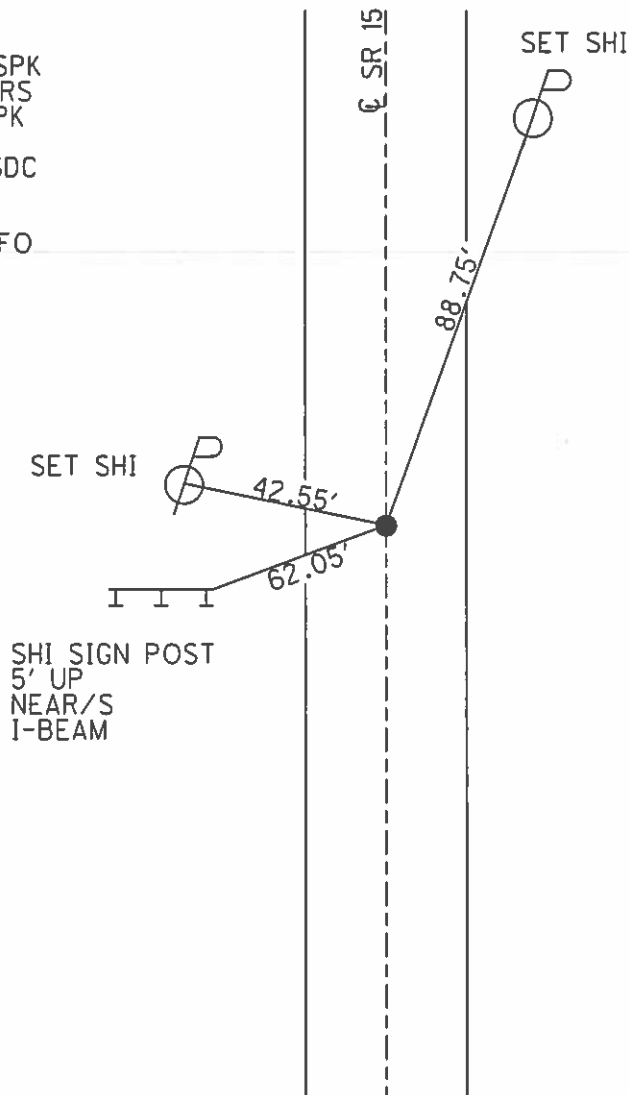
O.D.O.T. DISTRICT 2 SURVEY OFFICE (USE ONLY)

PERSONNEL _____ REFERENCE NO. 16 SHEET 33 OF 40
 NOTES RHOADES DATE 03/29/16 ROUTE SR 15
 H.C. O'DONNELL WEATHER CLEAR COUNTY WILLIAMS
 R.C. RHOADES TEMP. 35° TOWNSHIP PULASKI
 _____ SECTION 5
 _____ T 6 N R 3 E

TYPE MONUMENT _____ SM RR SPK _____
 ON SURFACE - ~~BELOW~~ _____ ON _____
~~LEFT~~ - Q PAV'T - ~~RIGHT~~ _____ ON _____
 _____ TO _____ EDGE PAVEMENT
 S.L.M. _____ 905+06.55
 Grid: Northing: 677290.643 Easting: 1405542.944



SET SM RR SPK
 10/24/90, IRS
 FD SM RR SPK
 GPS, REF16
 09/24/13, SDC
 SET MAG/W
 NEWREF16
 09/01/16, JFO

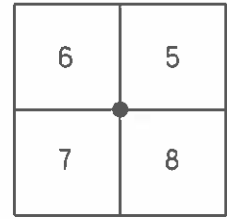


O.D.O.T. DISTRICT 2 SURVEY OFFICE (USE ONLY)

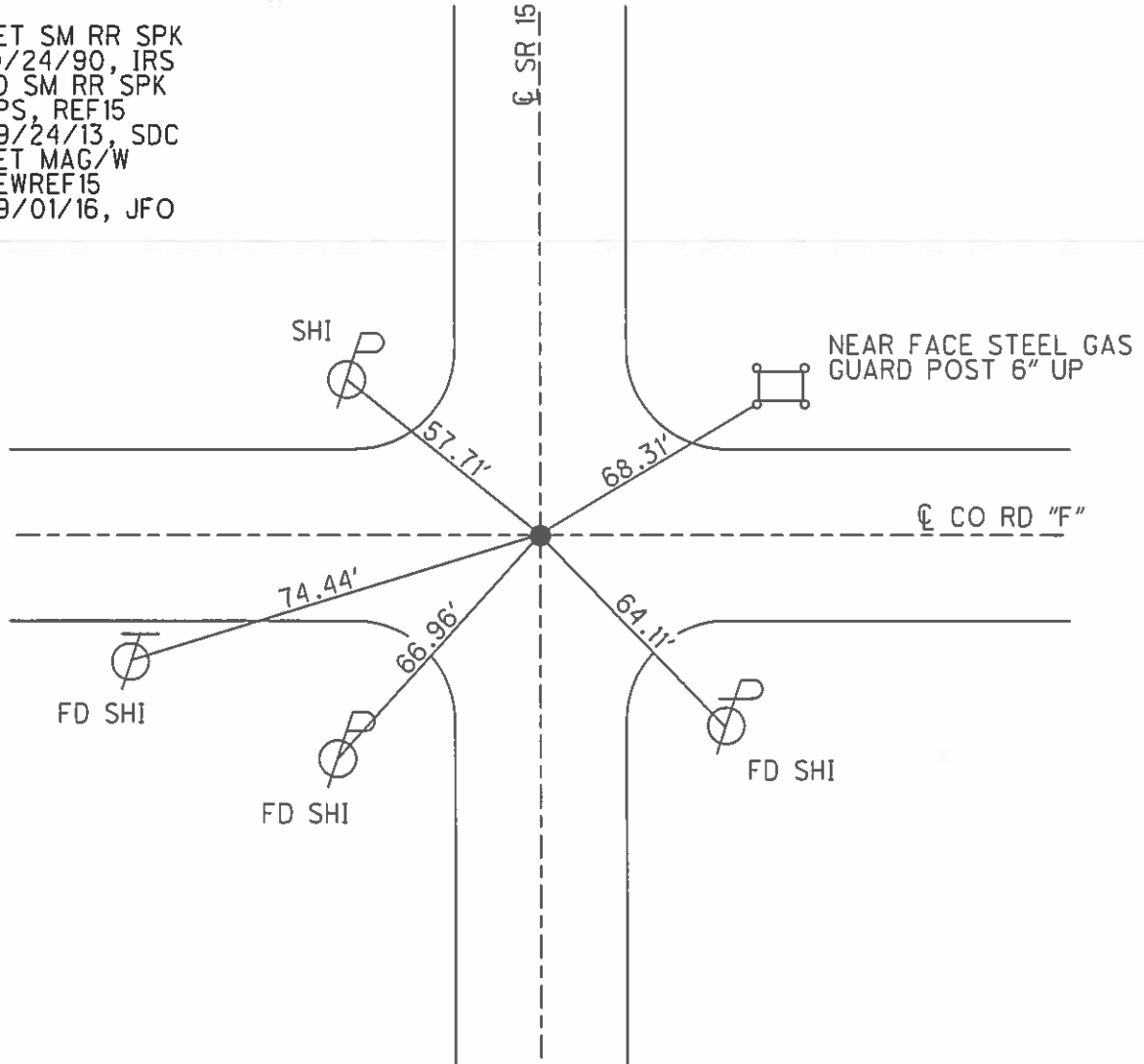
PERSONNEL _____ REFERENCE NO. 15 SHEET 34 OF 40

NOTES RHOADES DATE 03/29/16 ROUTE SR 15
 H.C. O'DONNELL WEATHER CLEAR COUNTY WILLIAMS
 R.C. RHOADES TEMP. 35° TOWNSHIP PULASKI
 SECTION 5-6-7-8
 T 6 N R 3 E

TYPE MONUMENT _____ SM RR SPK _____
 ON SURFACE - ~~BELOW~~ _____ ON _____
~~LEFT~~ - Q PAV'T - ~~RIGHT~~ _____ ON _____
 _____ TO _____ EDGE PAVEMENT
 S.L.M. _____ 931+56.76
 Grid: Northing: 674642.692 Easting: 1405433.620



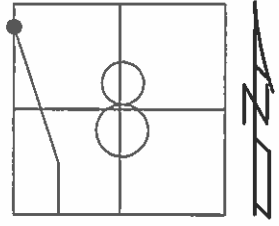
SET SM RR SPK
 10/24/90, IRS
 FD SM RR SPK
 GPS, REF15
 09/24/13, SDC
 SET MAG/W
 NEWREF15
 09/01/16, JFO



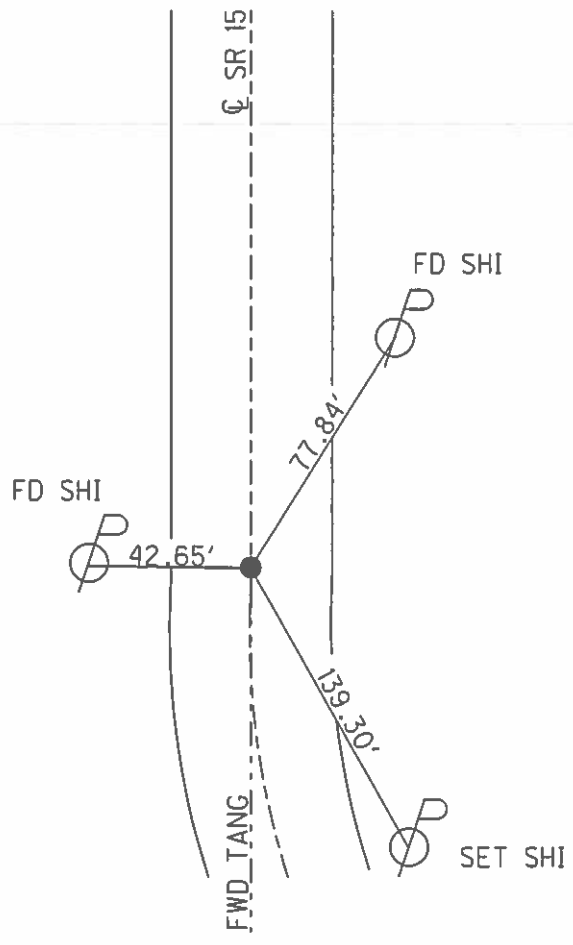
O.D.O.T. DISTRICT 2 SURVEY OFFICE (USE ONLY)

PERSONNEL _____ REFERENCE NO. 14 SHEET 35 OF 40
 NOTES RHOADES DATE 03/25/16 ROUTE SR 15
 H.C. O'DONNELL WEATHER CLOUDY COUNTY WILLIAMS
 R.C. RHOADES TEMP. 35° TOWNSHIP PULASKI
 _____ SECTION 8
 _____ T 6 N R 3 E

TYPE MONUMENT _____ SM RR SPK _____
 ON SURFACE - BELOW _____ ON _____
~~LEFT~~ - Q PAV'T - ~~RIGHT~~ _____ ON _____
 _____ TO _____ EDGE PAVEMENT
 S.L.M. _____ 936+54.54
 Grid: Northing: 674145.371 Easting: 1405413.081



SET SM RR SPK
 10/24/90, IRS
 FD SM RR SPK
 GPS, REF14
 09/24/13, SDC
 SET MAG/W
 NEWREF14
 09/01/16, JFO



O.D.O.T. DISTRICT 2 SURVEY OFFICE (USE ONLY)

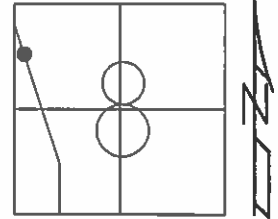
PERSONNEL _____ REFERENCE NO. 13 SHEET 36 OF 40

NOTES RHOADES DATE 03/25/16 ROUTE SR 15
 H.C. O'DONNELL WEATHER CLOUDY COUNTY WILLIAMS
 R.C. RHOADES TEMP. 35° TOWNSHIP PULASKI
 _____ SECTION 8
 _____ T 6 N R 3 E

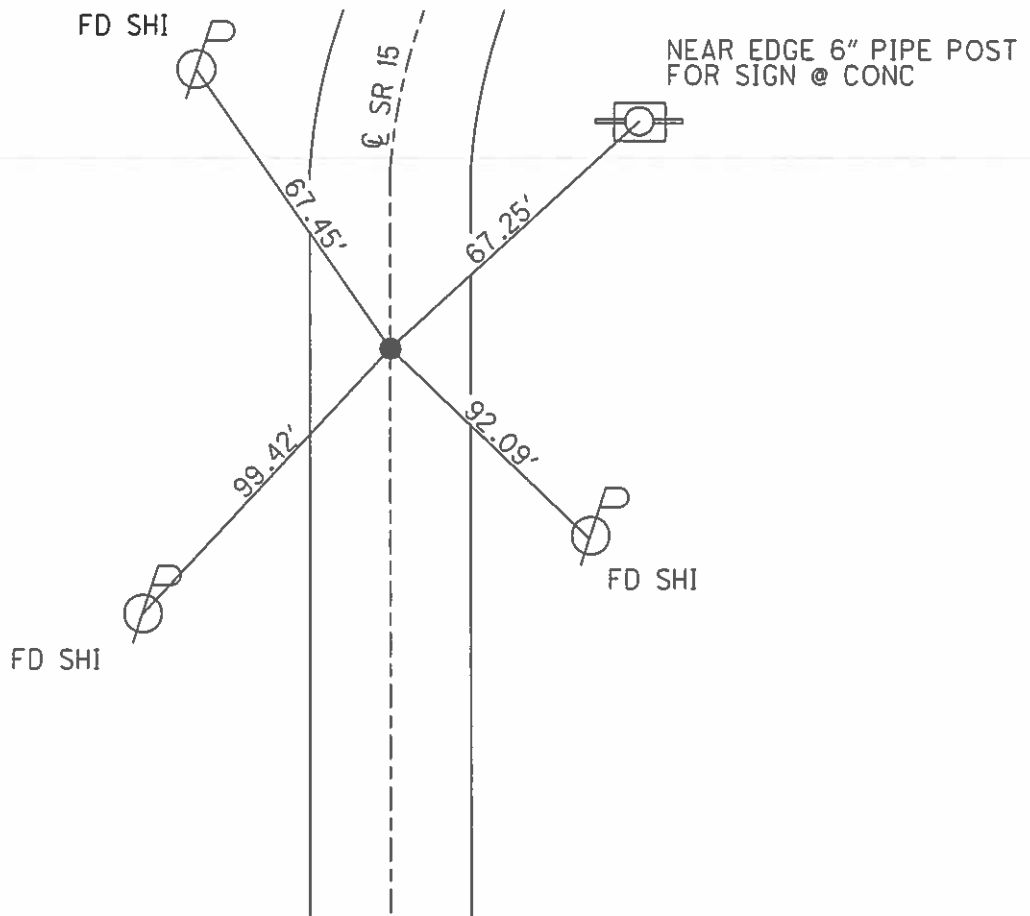
TYPE MONUMENT _____ PK NAIL _____
 ON SURFACE - ~~BELOW~~ _____ ON _____
~~LEFT~~ - Q PAV'T - ~~RIGHT~~ _____ ON _____
 _____ TO _____ EDGE PAVEMENT

S.L.M. 947+04.67

Grid: Northing: 673127.976 Easting: 1405603.699



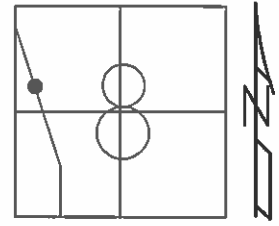
SET PK NAIL
 10/24/90, IRS
 FD PK NAIL
 GPS, REF13
 09/24/13, SDC
 SET MAG/W
 NEWREF14
 09/01/16, JFO



O.D.O.T. DISTRICT 2 SURVEY OFFICE (USE ONLY)

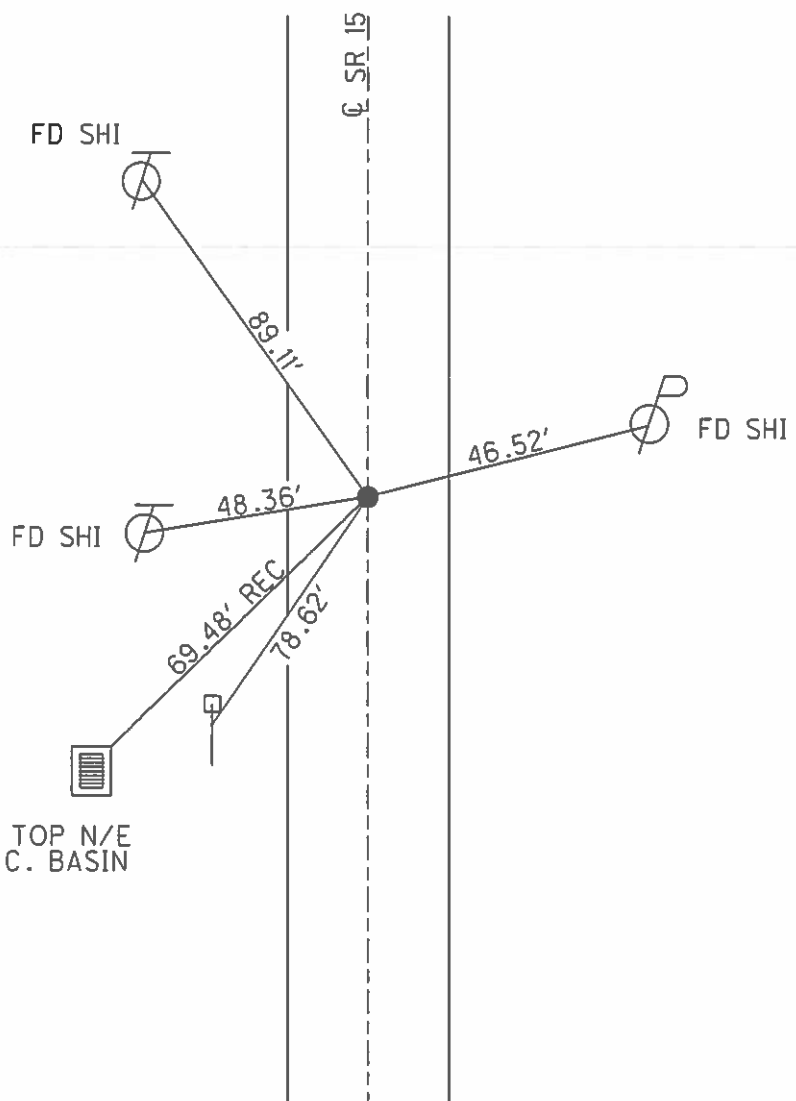
PERSONNEL _____ REFERENCE NO. 12 SHEET 37 OF 40
 NOTES RHOADES DATE 03/25/16 ROUTE SR 15
 H.C. O'DONNELL WEATHER CLOUDY COUNTY WILLIAMS
 R.C. RHOADES TEMP. 35° TOWNSHIP PULASKI
 _____ SECTION 8
 _____ T 6 N R 3 E

TYPE MONUMENT PK NAIL/WASHER
 ON SURFACE - ~~BELOW~~ ON
~~LEFT - C~~ PAV'T - ~~RIGHT~~ ON
 _____ TO _____ EDGE PAVEMENT
 S.L.M. 955+48.84



Grid: Northing: 672354.420 Easting: 1405941.878

SET PK NAIL
 10/24/90, IRS
 FD PK/W
 GPS, REF12
 09/24/13, SDC
 SET MAG/W
 NEWREF12
 09/01/16, JFO

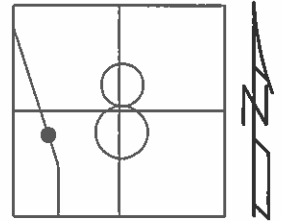


"+" CUT IN TOP N/E
 COR CONC C. BASIN

O.D.O.T. DISTRICT 2 SURVEY OFFICE (USE ONLY)

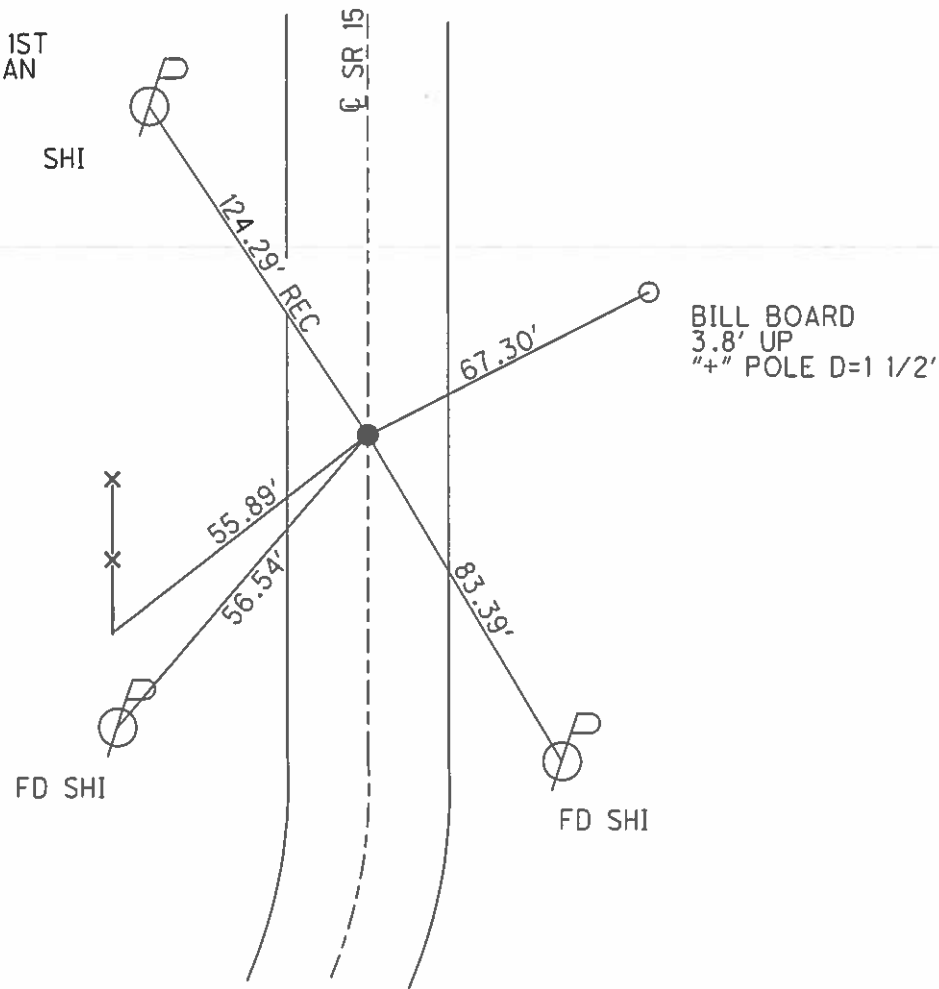
PERSONNEL _____ REFERENCE NO. 11 SHEET 38 OF 40
 NOTES RHOADES DATE 03/25/16 ROUTE SR 15
 H.C. O'DONNELL WEATHER CLOUDY COUNTY WILLIAMS
 R.C. RHOADES TEMP. 35° TOWNSHIP PULASKI
 _____ SECTION 8
 _____ T 6 N R 3 E

TYPE MONUMENT _____ SM RR SPK
 ON SURFACE - ~~BELOW~~ _____ ON _____
~~LEFT~~ - Q PAV'T - ~~RIGHT~~ _____ ON _____
 _____ TO _____ EDGE PAVEMENT
 S.L.M. _____ 966+91.61



Grid: Northing: 671307.3489 Easting: 1406399.440

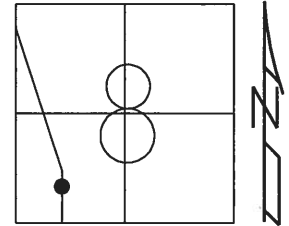
APPARENT PC OF 1ST
 CURVE N. OG BAYAN
 SET SM RR SPK
 10/24/90, IRS
 FD SM RR SPK
 GPS, REF11
 09/24/13, SDC
 SET MAG/W
 NEWREF11
 09/01/16, JFO



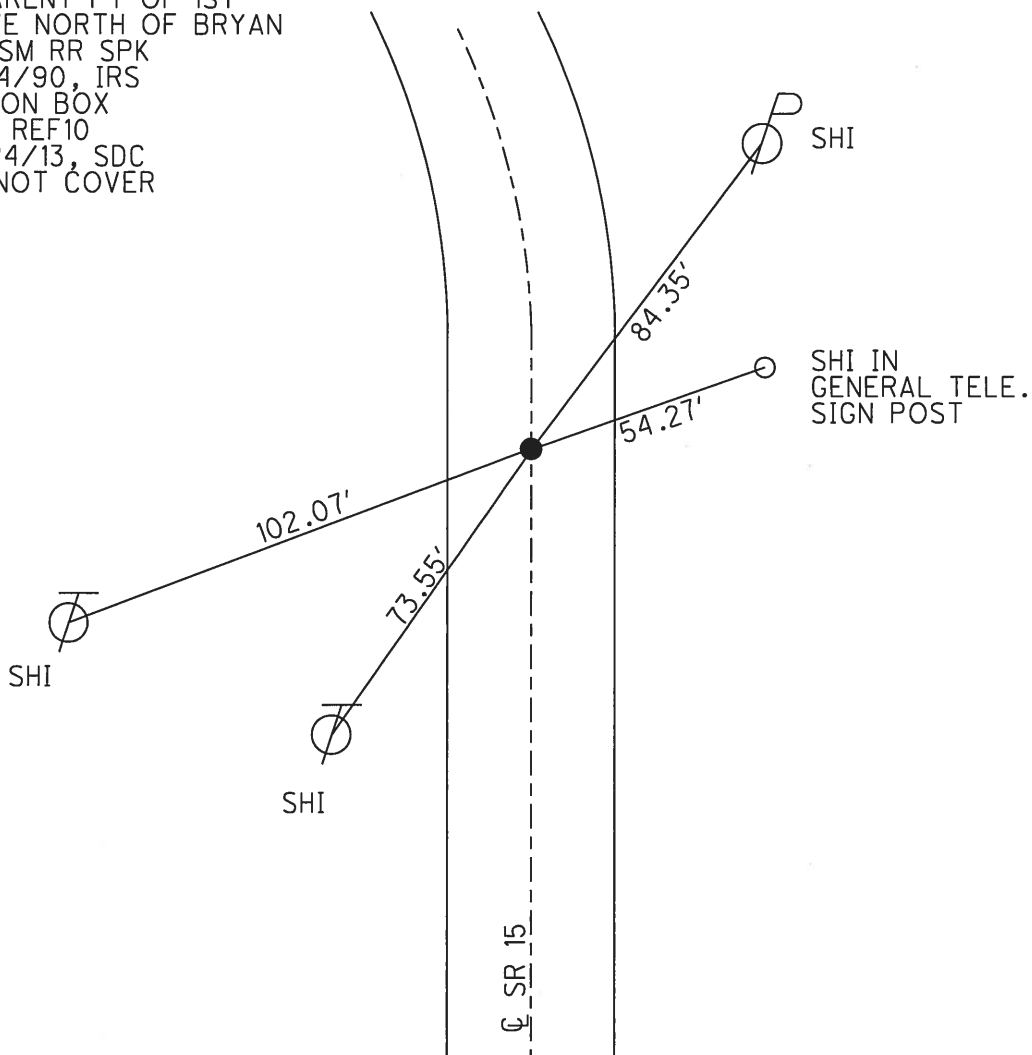
O.D.O.T. DISTRICT 2 SURVEY OFFICE (USE ONLY)

PERSONNEL _____ REFERENCE NO. 10 SHEET 39 OF 40
 NOTES CURTIS DATE 6-29-90 ROUTE SR 15
 H.C. HOUSEHOLDER WEATHER WARM COUNTY WILLIAMS
 R.C. _____ TEMP. 80° TOWNSHIP JEFFERSON
 _____ SECTION 8
 _____ T 6 N R 3 E

TYPE MONUMENT _____ RR SPK _____
 ON SURFACE - ~~BELOW~~ _____ ON _____
~~LEFT~~ - CL PAV'T - ~~RIGHT~~ _____ ON _____
 _____ TO _____ EDGE PAVEMENT
 S.L.M. _____ 977+07.89
 Grid: Northing: 670324.918 Easting: 1406595.939



APPARENT PT OF 1ST
 CURVE NORTH OF BRYAN
 SET SM RR SPK
 10/24/90, IRS
 FD MON BOX
 GPS, REF10
 09/24/13, SDC
 DID NOT COVER

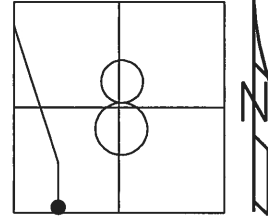


O.D.O.T. DISTRICT 2 SURVEY OFFICE (USE ONLY)

PERSONNEL _____ REFERENCE NO. 9 B SHEET 40 OF 40
 NOTES VAN DUSEN DATE 04/10/92 ROUTE US 127 & SR 15
 H.C. BARNHISEL WEATHER RAIN COUNTY WILLIAMS
 R.C. CURTIS TEMP. 45° TOWNSHIP PULASKI
 _____ ROMETO _____ SECTION 8-9
 _____ T 6 N R 3 E

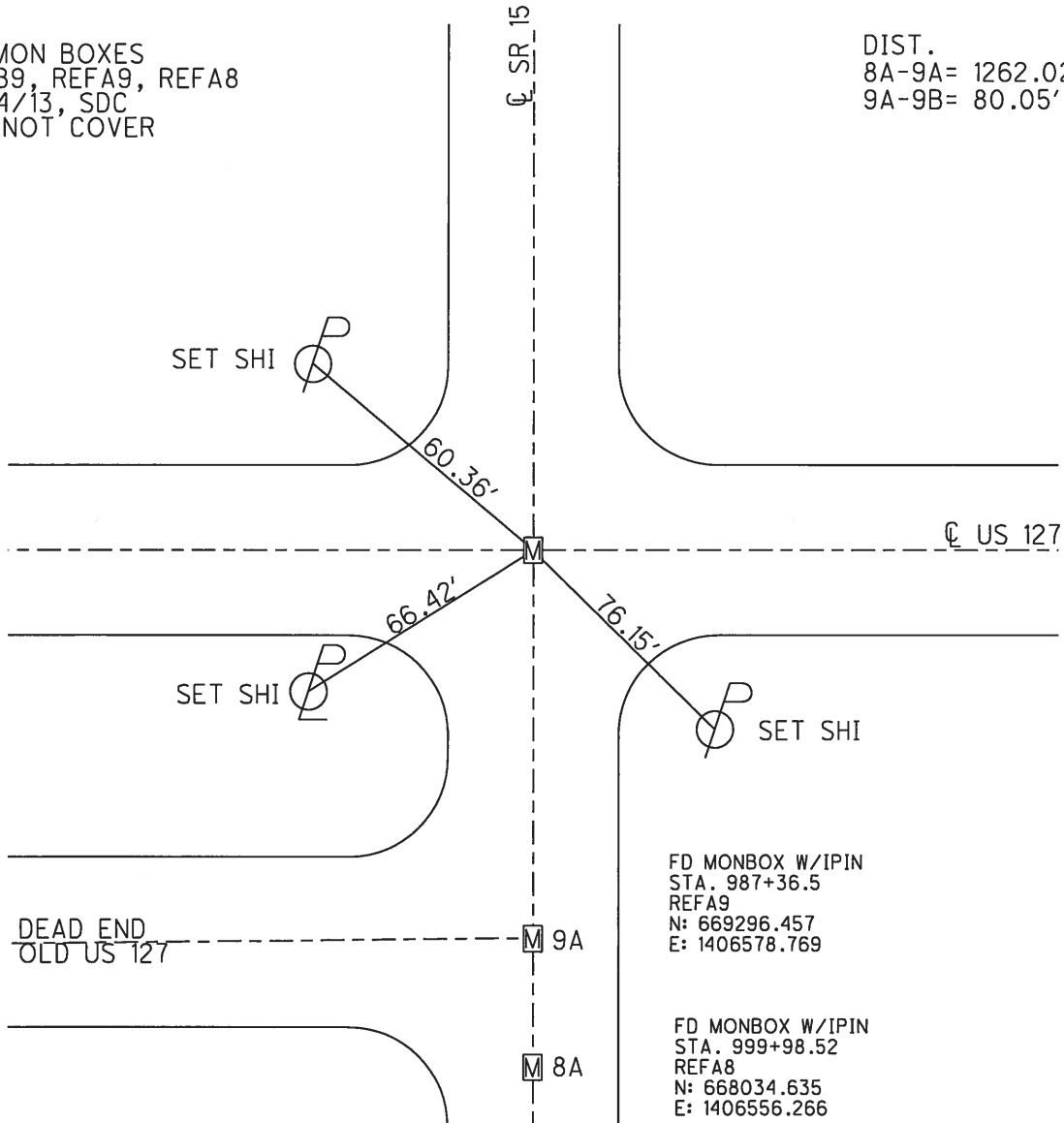
TYPE MONUMENT MON BOX/IRON PIN
 ON SURFACE - ~~BELOW~~ _____ ON _____
~~LEFT~~ - ☉ PAV'T - ~~RIGHT~~ _____ ON _____
25.4 TO LT EDGE PAVEMENT
 S.L.M. 986+56.45

Grid: Northing: 669376.492 Easting: 1406580.076



FD MON BOXES
 REFB9, REFA9, REFA8
 9/24/13, SDC
 DID NOT COVER

DIST.
 8A-9A= 1262.02'
 9A-9B= 80.05'



FD MONBOX W/IPIN
 STA. 987+36.5
 REFA9
 N: 669296.457
 E: 1406578.769

FD MONBOX W/IPIN
 STA. 999+98.52
 REFA8
 N: 668034.635
 E: 1406556.266