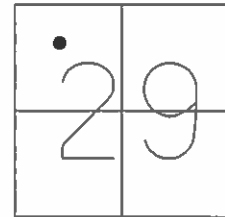


O.D.O.T. DISTRICT 2 SURVEY OFFICE (USE ONLY)

PERSONNEL _____ REFERENCE NO. 4 G SHEET 7 OF 21
 NOTES LEU DATE 3/29/16 ROUTE US 20A
 H.C. HOMAN WEATHER SUNNY COUNTY WILLIAMS
 R.C. LEU TEMP. 40° TOWNSHIP JEFFERSON
 _____ SECTION 29
 _____ T 8 N R 3 E

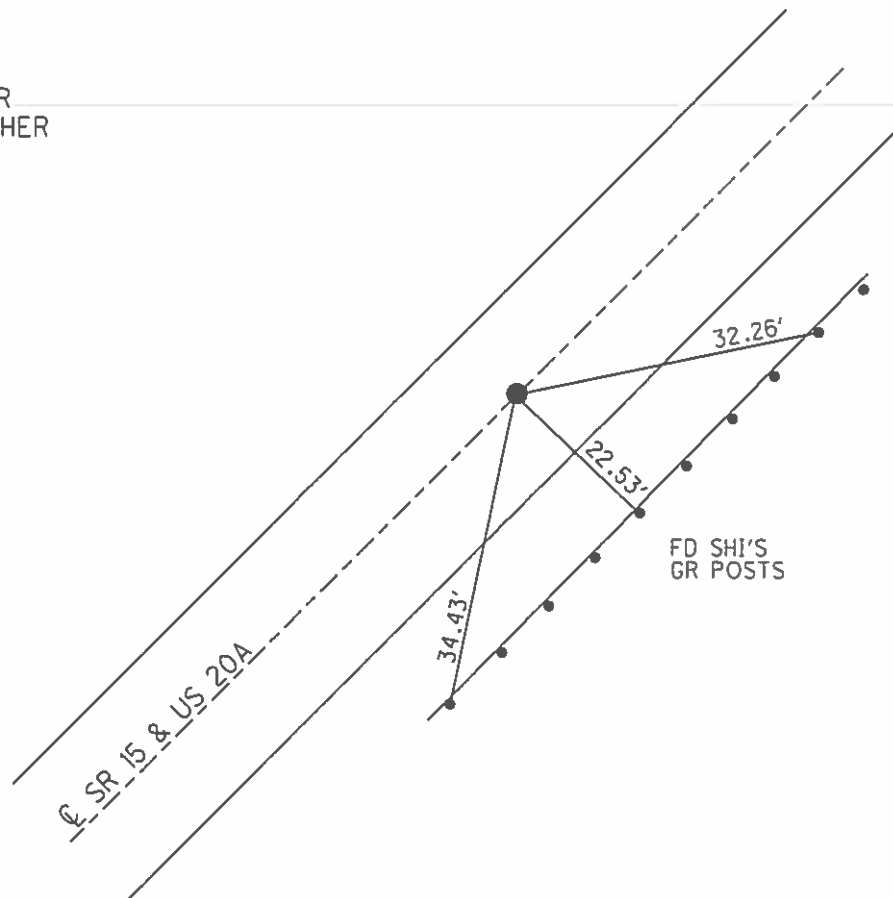
TYPE MONUMENT P.K.NAIL
~~ON SURFACE~~ - BELOW 2"
 LEFT - CL PAV'T - ~~RIGHT~~ 0.4'
11.5' TO E EDGE PAVEMENT
 S.L.M. 142+46.71



GRID: NORTHING: 717210.095 EASTING: 1407098.359

RECORD:
 FD P.K./WASHER
 7/6/92
 SET P.K./WASHER
 9/22/92, CL
 FD P.K.SHANK
 10/18/13
 REF 30
 10/23/13, TMR
 SET MAG/WASHER
 NEWREFC30
 8/24/16, JFO

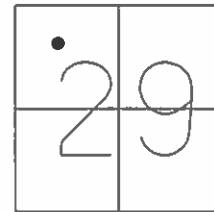
NOTE:
 SR 15 REF30C



O.D.O.T. DISTRICT 2 SURVEY OFFICE (USE ONLY)

PERSONNEL _____ REFERENCE NO. 30 C SHEET 7 OF 40
 NOTES LEU DATE 3/29/16 ROUTE SR 15
 H.C. HOMAN WEATHER SUNNY COUNTY WILLIAMS
 R.C. LEU TEMP. 40° TOWNSHIP JEFFERSON
 _____ SECTION 29
 _____ T 8 N R 3 E

TYPE MONUMENT P.K.NAIL
~~ON SURFACE~~ - BELOW 2"
 LEFT - ℄ PAV'T - ~~RIGHT~~ 0.4'
11.5' TO E EDGE PAVEMENT
 S.L.M. 504+64.53
 GRID: NORTHING: 717210.095 EASTING: 1407098.359



RECORD:
 FD P.K./WASHER
 7/6/92
 SET P.K./WASHER
 9/22/92, CL
 FD P.K.SHANK
 10/18/13
 REF 30
 10/23/13, TMR
 SET MAG/WASHER
 NEWREFC30
 8/24/16, JFO

NOTE:
 US 20A REF4G

