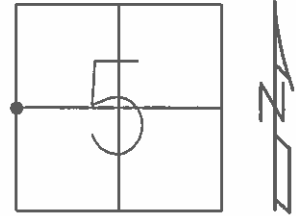


O.D.O.T. DISTRICT 2 SURVEY OFFICE (USE ONLY)

PERSONNEL _____ REFERENCE NO. 4 S SHEET 20 OF 21

NOTES O'DONNELL DATE 4/1/16 ROUTE US 20A
 H.C. RHOADES WEATHER CLOUDY COUNTY WILLIAMS
 R.C. O'DONNELL TEMP. 43° TOWNSHIP JEFFERSON
 _____ SECTION 5
 _____ T 7 N R 3 E

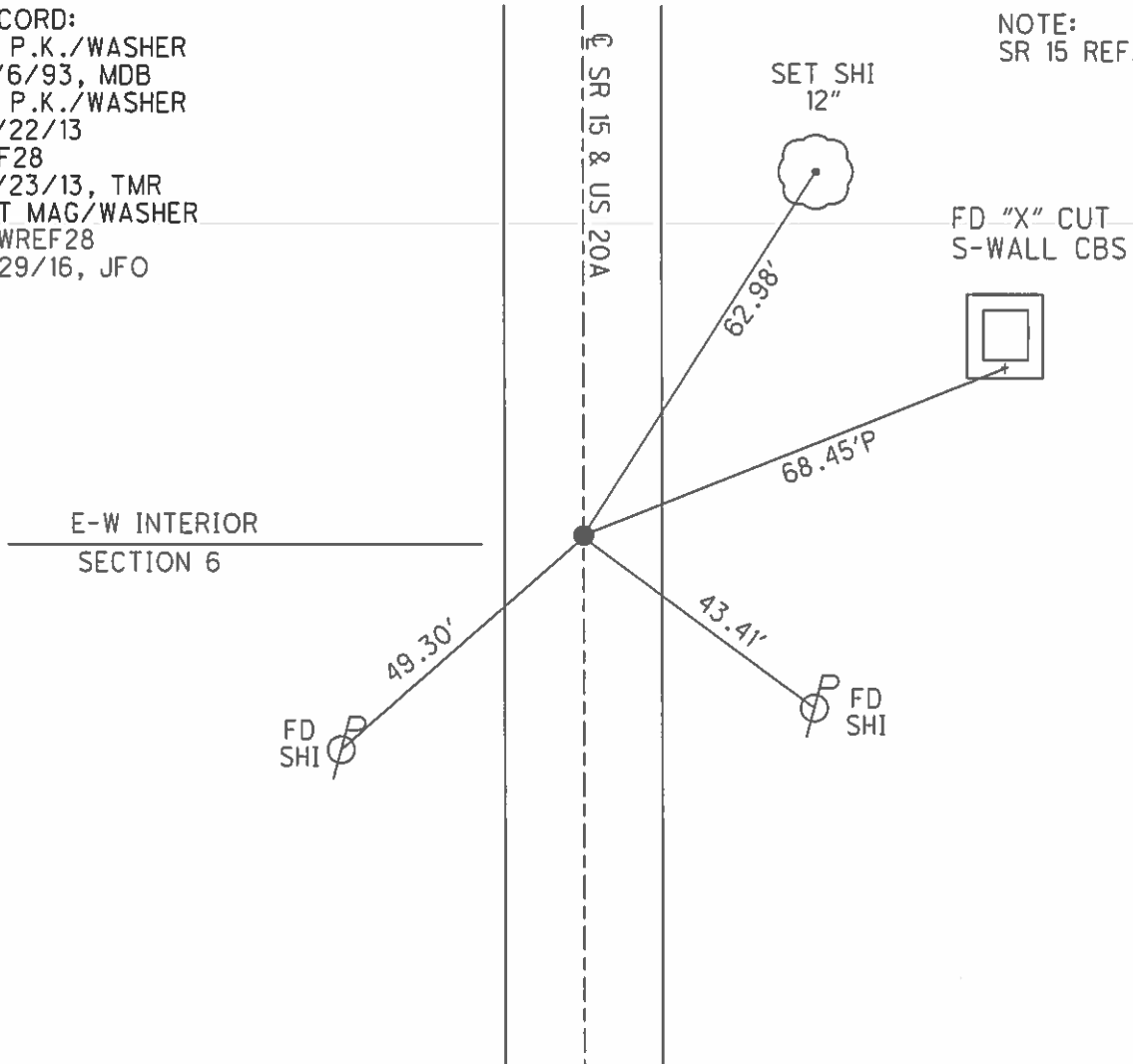
TYPE MONUMENT P.K./WASHER
 ON SURFACE - ~~BELOW~~ ON
 LEFT - ☉ PAV'T - RIGHT ON
11.7' TO RT EDGE PAVEMENT
 S.L.M. 227+66.81



GRID: NORTHING: 708783.265 EASTING: 1406192.693

RECORD:
 FD P.K./WASHER
 12/6/93, MDB
 FD P.K./WASHER
 10/22/13
 REF28
 10/23/13, TMR
 SET MAG/WASHER
 NEWREF28
 8/29/16, JFO

NOTE:
 SR 15 REF28



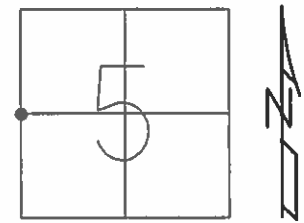
E-W INTERIOR
 SECTION 6

FD "X" CUT
 S-WALL CBS

O.D.O.T. DISTRICT 2 SURVEY OFFICE (USE ONLY)

PERSONNEL _____ REFERENCE NO. 28 SHEET 20 OF 40
 NOTES O'DONNELL DATE 4/1/16 ROUTE SR 15
 H.C. RHOADES WEATHER CLOUDY COUNTY WILLIAMS
 R.C. O'DONNELL TEMP. 43° TOWNSHIP JEFFERSON
 _____ SECTION 5
 _____ T 7 N R 3 E

TYPE MONUMENT P.K./WASHER
 ON SURFACE - ~~BELOW~~ ON
 LEFT - ☉ PAV'T - RIGHT ON
11.7' TO RT EDGE PAVEMENT
 S.L.M. 590+06.81
 GRID: NORTHING: 708783.265 EASTING: 1406192.693



RECORD:
 FD P.K./WASHER
 12/6/93, MDB
 FD P.K./WASHER
 10/22/13
 REF28
 10/23/13, TMR
 SET MAG/WASHER
 NEWREF28
 8/29/16, JFO

NOTE:
 US 20A REF4S

