

O.D.O.T. DISTRICT 2 SURVEY OFFICE (USE ONLY)

PERSONNEL

REFERENCE NO. 32 A

SHEET 12 OF 23

NOTES BARRIERE

DATE 7/1/24

ROUTE SR 65

H.C. MILLER

WEATHER SUNNY

COUNTY WOOD

R.C. BLUBAUGH

TEMP. 70°

TOWNSHIP PERRYSBURG

DWG BY BARRIERE

PID 101291

SECTION 71

T 3 N R 12 MI RESERVE

TYPE MONUMENT MAG SHANK

ON SURFACE - BELOW ON

OFFSET \varnothing PAVEMENT 3.9' LT LT : RT

TO EDGE PAVEMENT

STATION: 1117+89

HORZ. DATUM: NAD83 (2011)

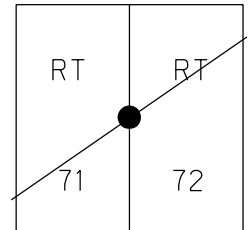
GEOID: 18

GRID: NORTHING: 701287.946

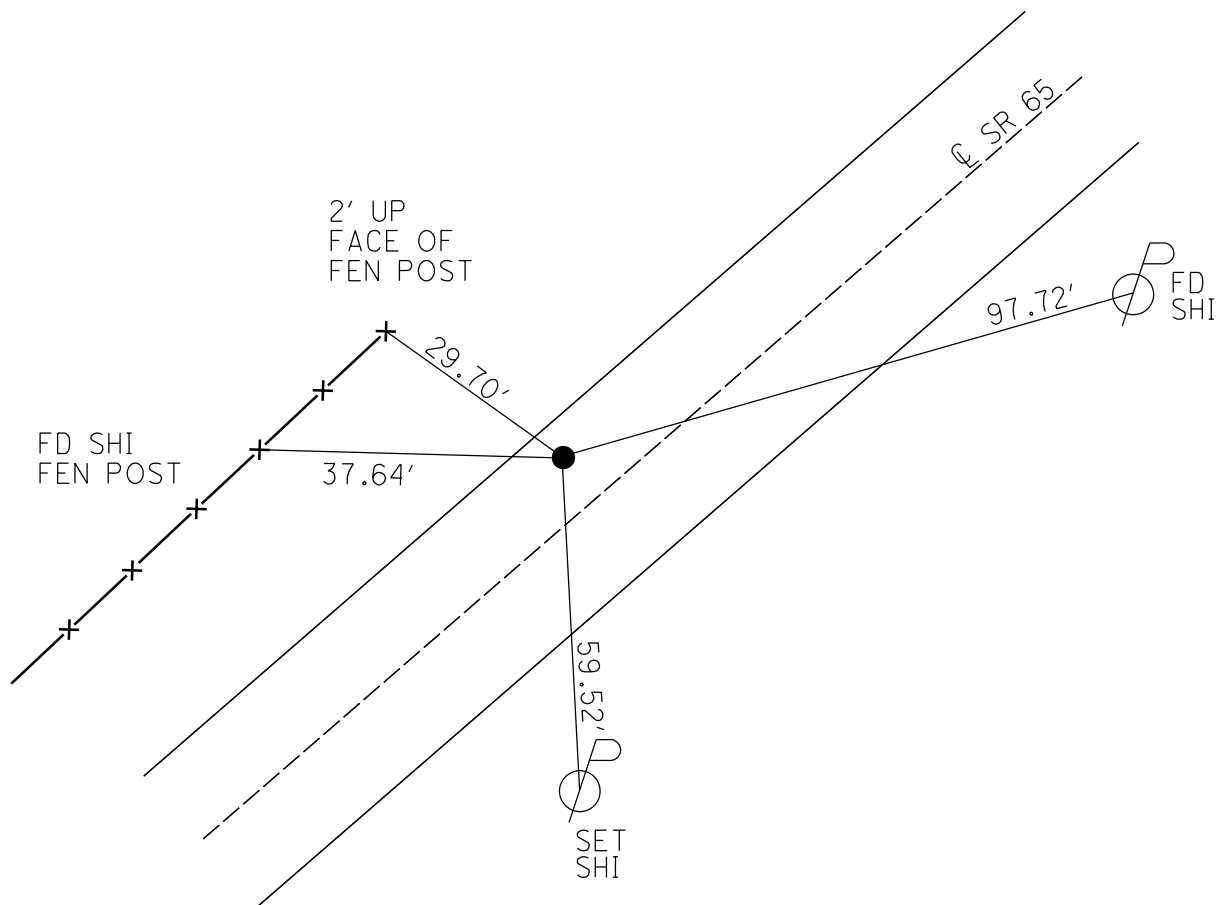
EASTING: 1670654.892

LDP: NORTHING: 523368.511

EASTING: 180791.712



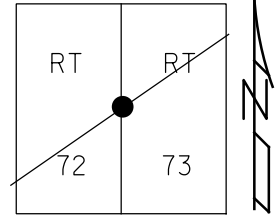
RECORD: P.I.
 STA. 114+07.85
 $\Delta = 0^{\circ}05' \text{ LT}$
 SET P.K. NAIL
 ATOP I-BOLT
 1937
 SET MAG/WASHER
 10-27-05, SAH
 FD MAG/WASHER
 REFA32
 11-17-22, DSA
 FD MAG/WASHER
 5-8-23, TDN
 10/12/23, TDN
 FD MAG/WASHER
 REF32A
 7/1/24, JAM



O.D.O.T. DISTRICT 2 SURVEY OFFICE (USE ONLY)

PERSONNEL _____ REFERENCE NO. 32 A SHEET 10 OF 21
 NOTES AUBLE DATE 5-8-23 ROUTE SR 65
 H.C. NIESE WEATHER CLOUDY COUNTY WOOD
 R.C. AUBLE TEMP. 55° F TOWNSHIP PERRYSBURG
 SECTION RT 73
 DWG BY RHOADES PID PAVING TRAIN T 3 12 MILE RESERVE

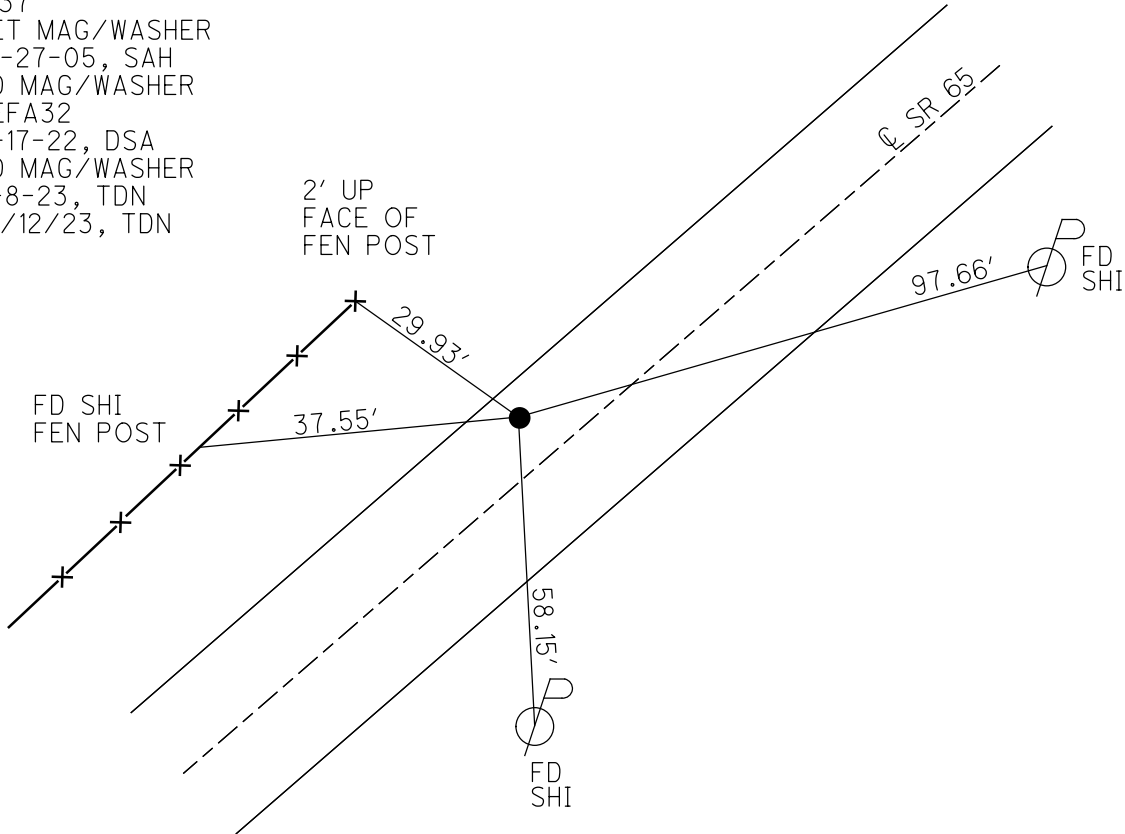
TYPE MONUMENT MAG/WASHER
 ON SURFACE - ~~BELOW~~ ON
 OFFSET \perp PAVEMENT 3.9' LT : RT
8.1' TO LT EDGE PAVEMENT
 STATION: 1117+89



HORZ. DATUM: NAD83 2011 GEOID: NAVD88 2018
 GRID: NORTHING: 701287.946 EASTING: 1670654.892

RECORD: P.I.
 STA. 114+07.85
 $\Delta = 0^{\circ}05' \text{ LT}$
 SET P.K.NAIL
 ATOP I-BOLT
 1937
 SET MAG/WASHER
 10-27-05, SAH
 FD MAG/WASHER
 REFA32
 11-17-22, DSA
 FD MAG/WASHER
 5-8-23, TDN
 10/12/23, TDN

WOOD LPD:
 N: 523368.573
 E: 180791.672



O.D.O.T. DISTRICT 2 SURVEY OFFICE

PERSONNEL

REFERENCE NO. 32-A

SHEET 11 OF 14

NOTES HUSS

DATE 9-13-05

ROUTE S.R. 65

H.C. HOMAN

WEATHER SUNNY

COUNTY WOOD

R.C. MIKLOVIC

TEMP. 86°

TOWNSHIP PERRYSBURG

SECTION RIVER TRACT

~~T-7-N~~ ~~R-11-E~~

Town 3, 12 miles Res.

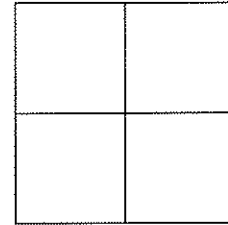
TYPE MONUMENT PK NAIL

ON SURFACE - ~~BELOW~~ ON

LEFT - ~~0 PART~~ ~~RIGHT~~ 3.9' LT.

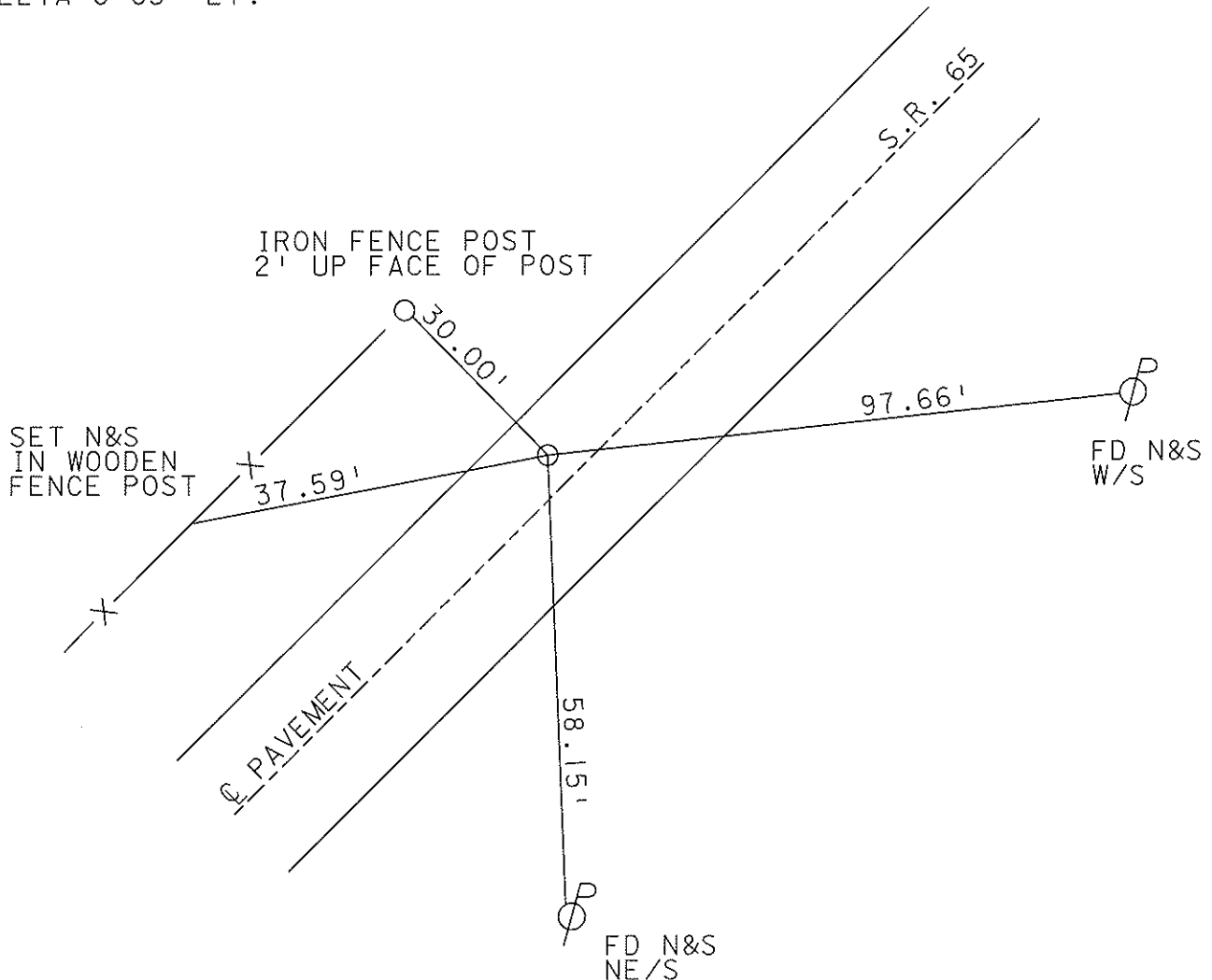
8.1' TO LT EDGE PAVEMENT

S.L.M. 1117+89



RECORD
 PK NAIL WAS SET
 OVER I. BOLT
 P.I. STA 114+07.85 (1937)
 DELTA=0°05' LT.

SET MAG NAILS
 & WASHERS
10-27-05
 SAH



O.D.O.T. DISTRICT 2 SURVEY OFFICE

PERSONNEL

REFERENCE NO. 32 A

SHEET OF

NOTES BARNHISEL

H.C. Reed

DATE 5-3-88

ROUTE 65

R.C. Loehake

WEATHER SUNNY

COUNTY WOOD

HOFFMAN

TEMP. +58°

TOWNSHIP Perryburg

SECTION R.T. 73

T 7 N R 11 E

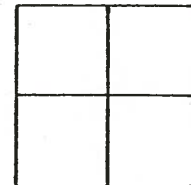
TYPE MONUMENT P.K. NAIL

ON SURFACE - ~~BELOW~~ yes

LEFT- & PAV'T. - ~~RIGHT~~ 4.7

11.2 TO 4 EDGE PAVEMENT

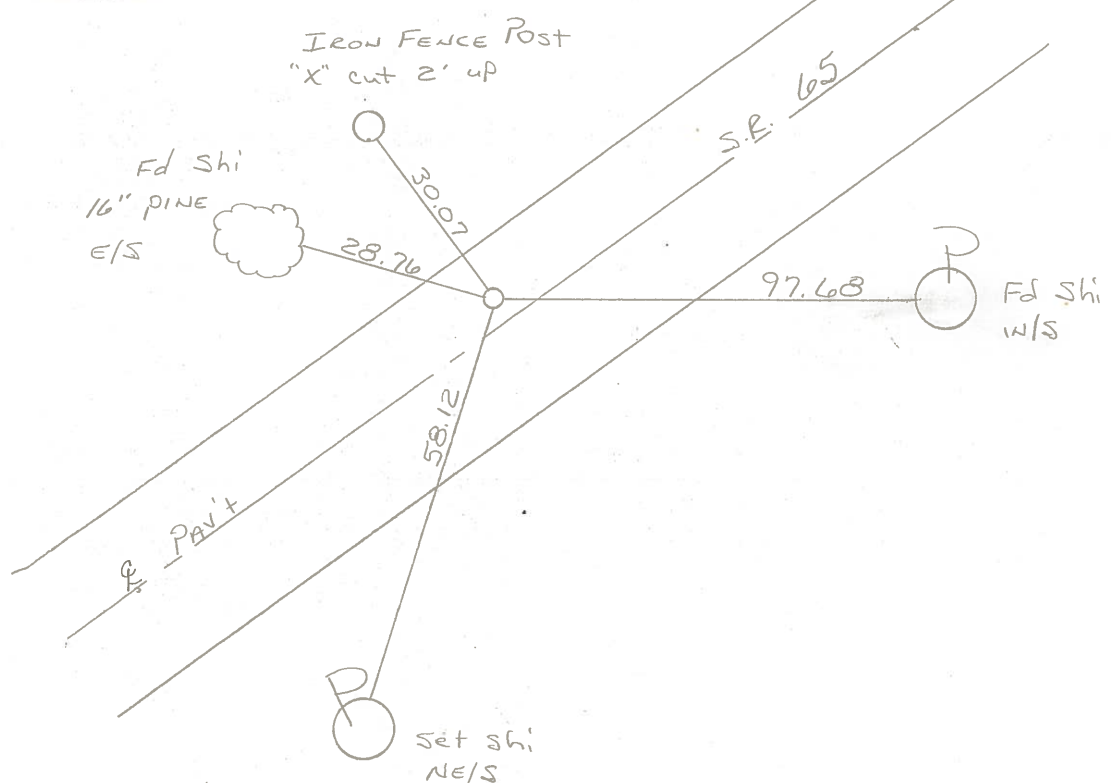
S.L.M. 1117+89



RECORD

P.K. NAIL WAS SET
OVER I. Bolt.
P.I. STA: 114+07.85 (1937)
 $\Delta = 0^{\circ} - 05' \text{ LT}$

Set P.K. & Washer
8-29-88
m.B.



O.D.O.T. DISTRICT 2 SURVEY OFFICE

SHEET _____ OF _____

County Wood S.R. 65

Date 17 Nov. 80

Township _____

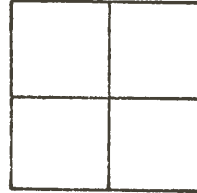
Weather Cloudy

Section _____

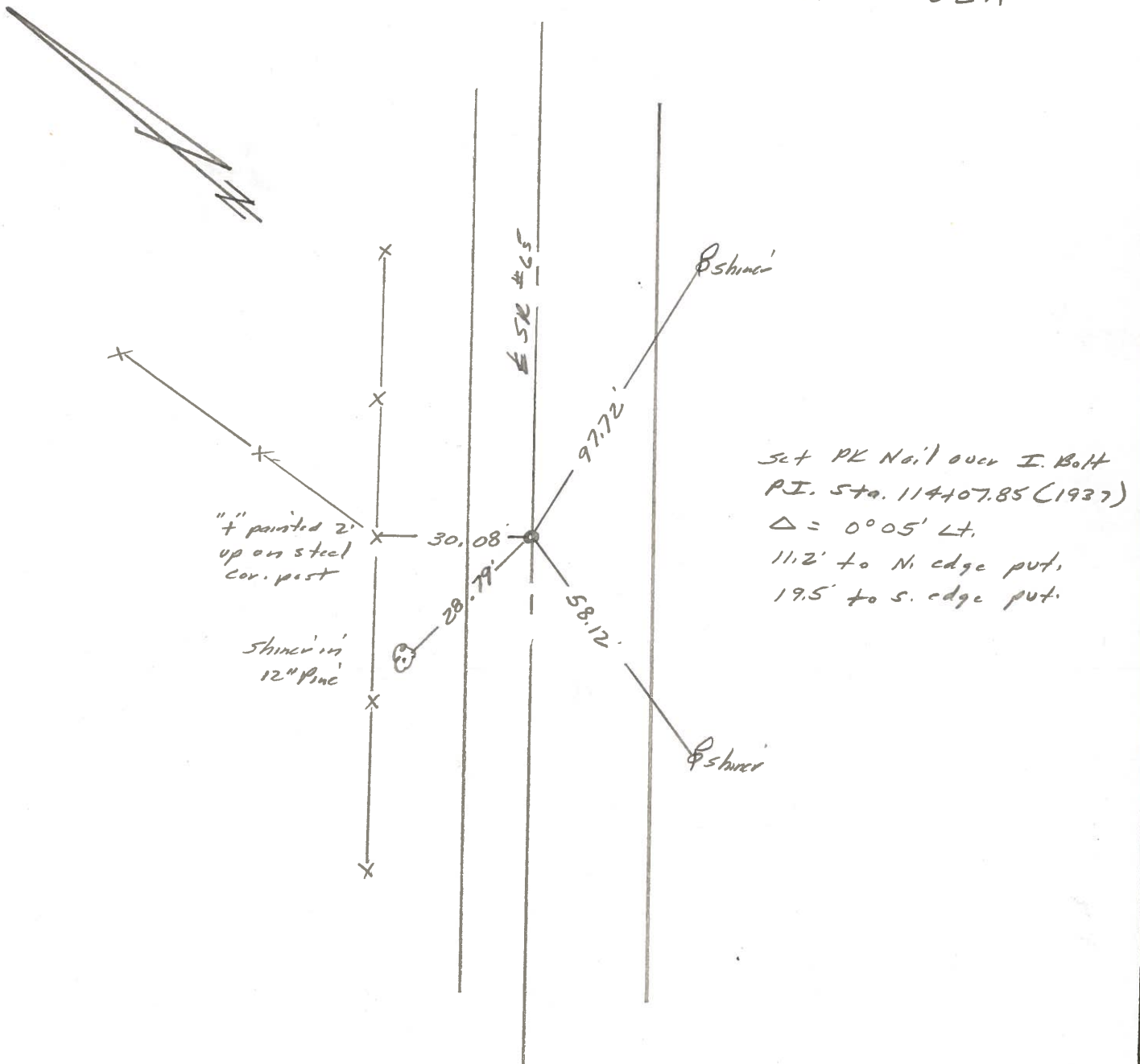
Temp. 36°

T N, R E

Personnel L. Stone
R. Michalak
P. Neuser
D. Curtis
H. Head



REF. NO. 32A



O.D.O.T. DISTRICT 2 SURVEY OFFICE

Sht. 17 of 20
S.A. 65

County WOOD

Date 8-1-78

Township PERRYSBURG

Weather CLEAR

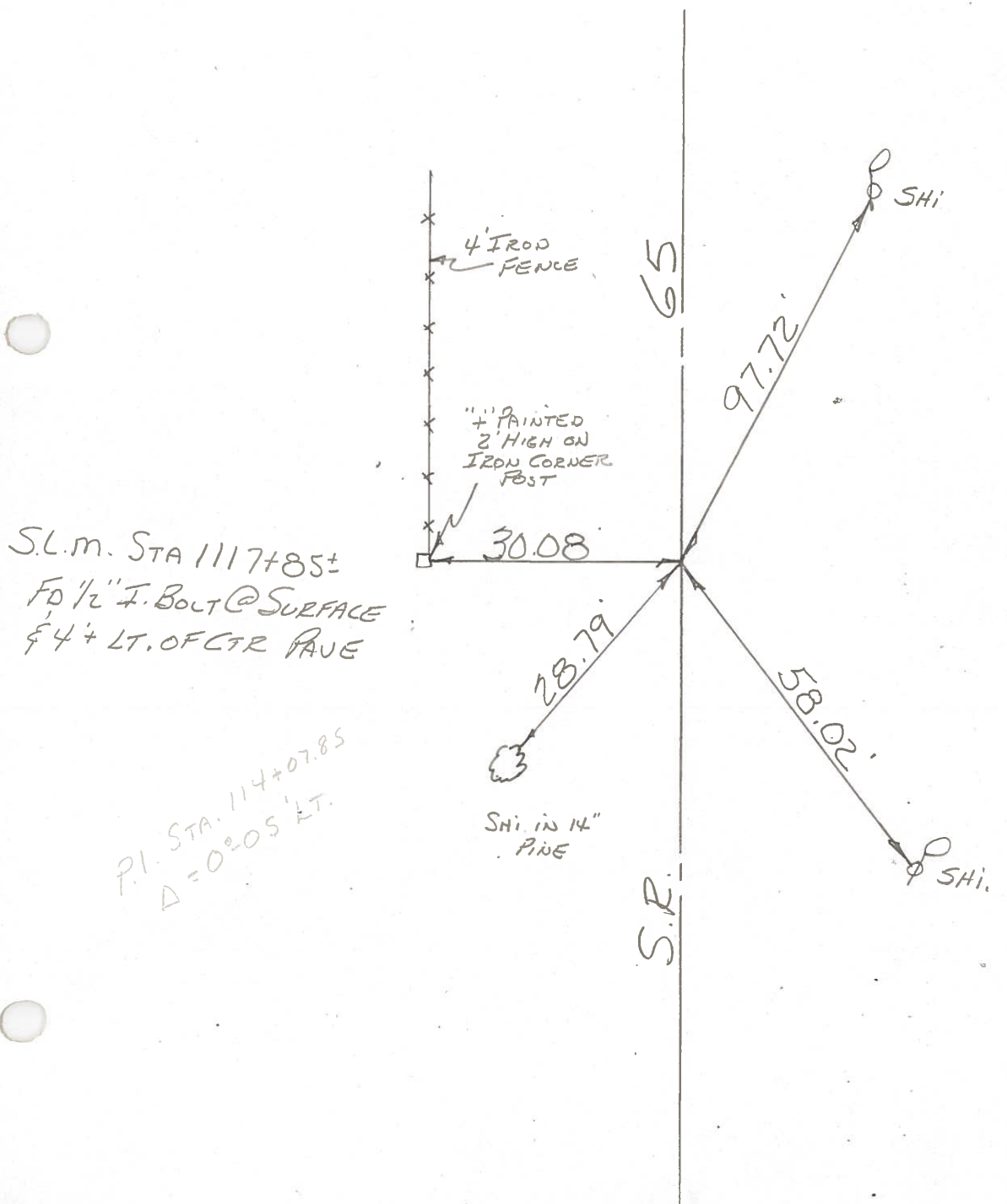
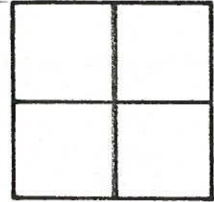
Section _____

Temp. +76°

T N, R E

Personnel BURNSIDE

32-A



PERSONNEL TITLE PERSONNEL TITLE

COUNTY Wood

DATE 8/24/65

Silvester

S. R. 65

WEATHER

SEC.

TEMP.

DESCRIPTION

LEFT

CENTER LINE

RIGHT

JOB NO.

