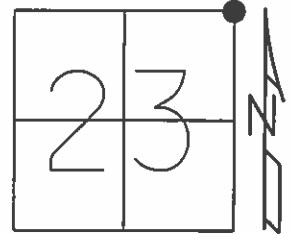


O.D.O.T. DISTRICT 2 SURVEY OFFICE (USE ONLY)

PERSONNEL _____ REFERENCE NO. 26 SHEET 7 OF 11
 NOTES HUSS DATE 4/13/12 ROUTE SR 795
 H.C. CANTERBURY WEATHER CLEAR COUNTY WOOD
 R.C. HUSS TEMP. 59° TOWNSHIP LAKE
 _____ SECTION 23
 _____ T 7 N R 12 E

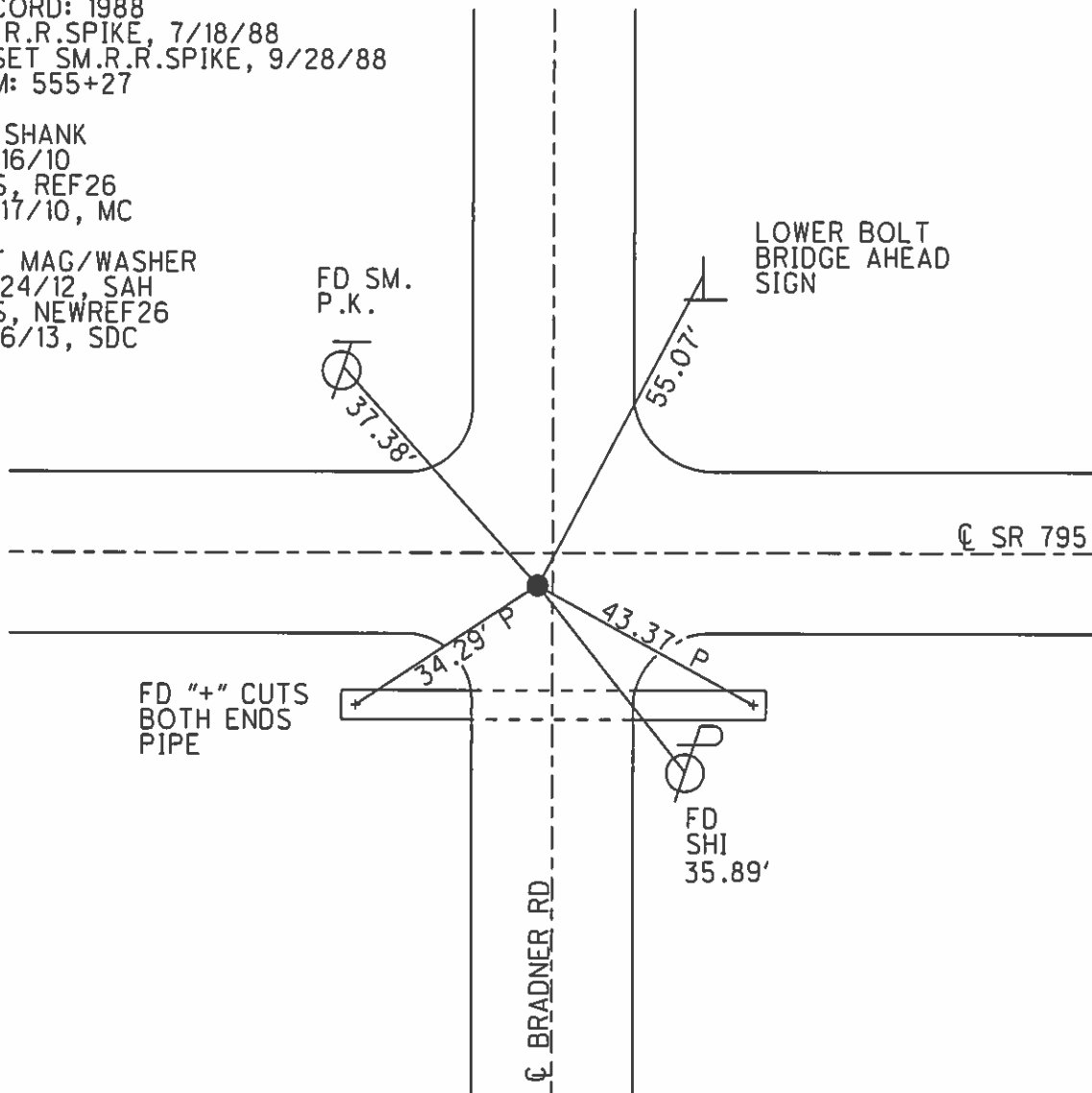
TYPE MONUMENT SHANK
~~ON SURFACE~~ - BELOW ON
~~LEFT~~ - Q PAV'T - RIGHT 2.7'
- TO - EDGE PAVEMENT
 S.L.M. 550+63.60
 Grid: Northing: 690730.056 Easting: 1712397.365



RECORD: 1988
 FD R.R.SPIKE, 7/18/88
 RESET SM.R.R.SPIKE, 9/28/88
 SLM: 555+27

FD SHANK
 12/16/10
 GPS, REF26
 12/17/10, MC

SET MAG/WASHER
 12/24/12, SAH
 GPS, NEWREF26
 4/16/13, SDC



O.D.O.T. DISTRICT 2 SURVEY OFFICE

PERSONNEL

REFERENCE NO. 26

SHEET OF

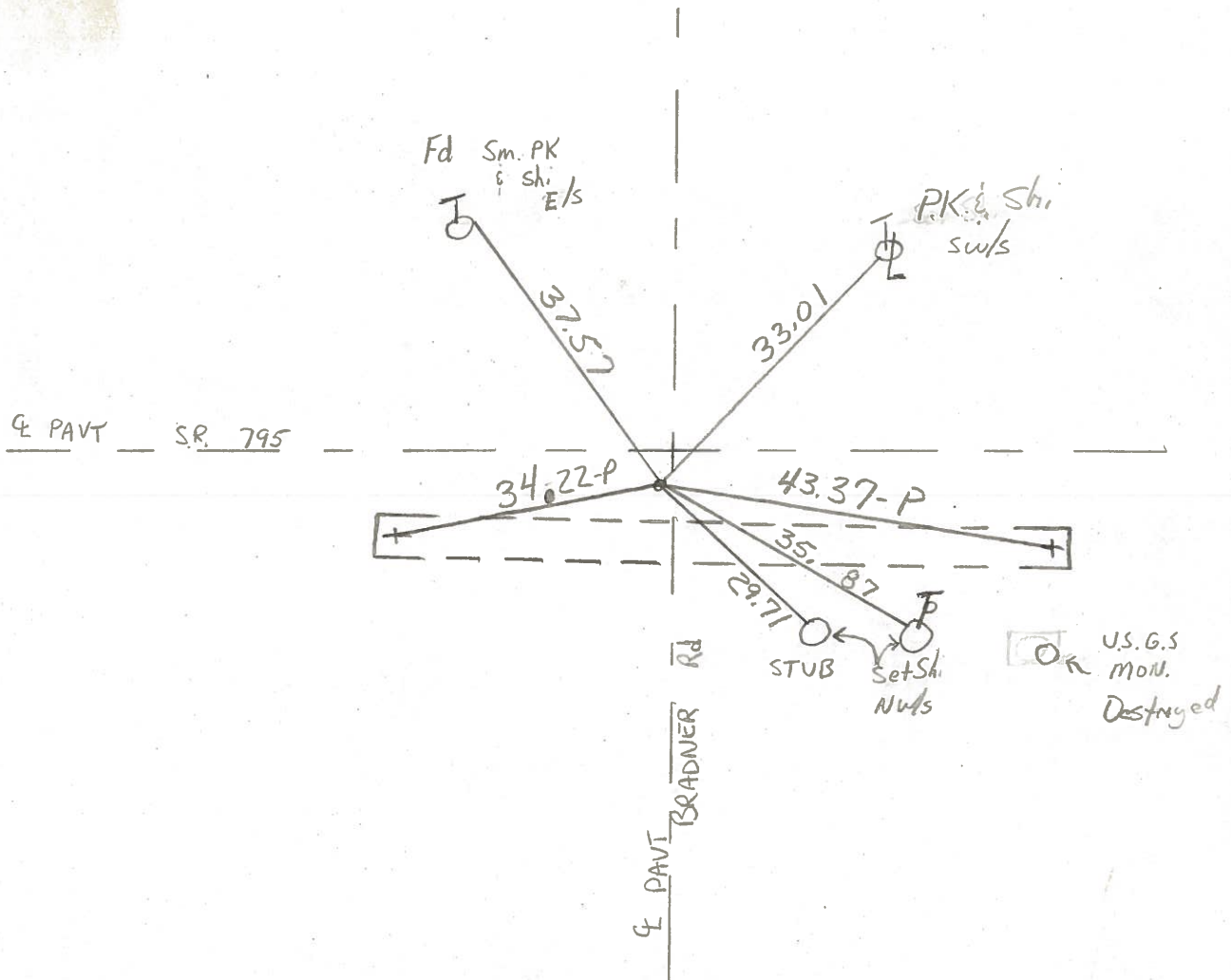
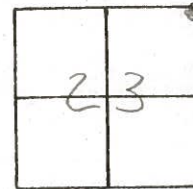
NOTES LOEHRKE
 H.C. REED
 R.C. BARNHISEL
Hoffman

DATE 7-18-88
 WEATHER Pt Cloudy
 TEMP. 75

ROUTE S.R. 795
 COUNTY WOOD
 TOWNSHIP LAKE
 SECTION 23
 T 7 N R 12 E

Set Sm RR Spike
 9-28-88
 C.L.

TYPE MONUMENT R.R. Spike
 ON SURFACE - BELOW 1"
 LEFT - CL PAVT. - RIGHT 3' ft. 0.5' W & PAVT. to South
 TO EDGE PAVEMENT
 S.L.M. 555+27



| PERSONNEL | TITLE | PERSONNEL | TITLE | COUNTY | DATE | WEATHER | TEMP. |
|-----------|-------|-----------|-------|---------------------------|-------------|---------|-------|
| Stowe | Notes | | | Wood | 13 Sept. 71 | Cool | 68° |
| Michalak | H.C. | | | S. R. 795 | | | |
| Farr | R.C. | | | SEC. Pemberville Rd. East | | | |

DESCRIPTION References to Control Points JOB NO.

