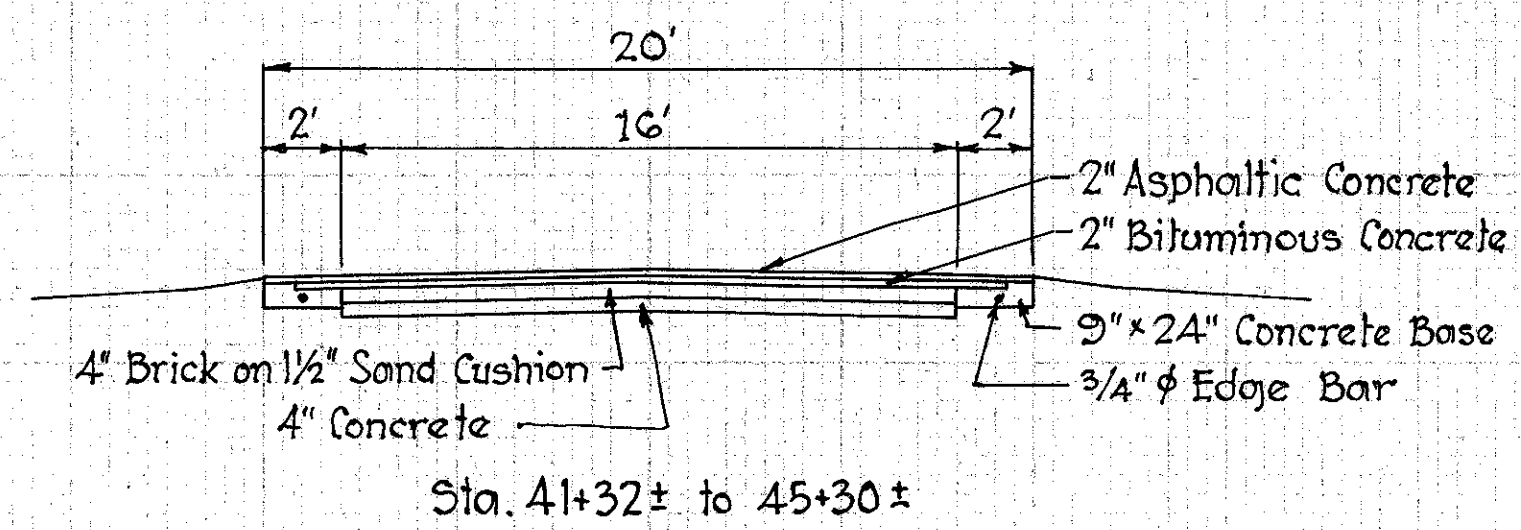
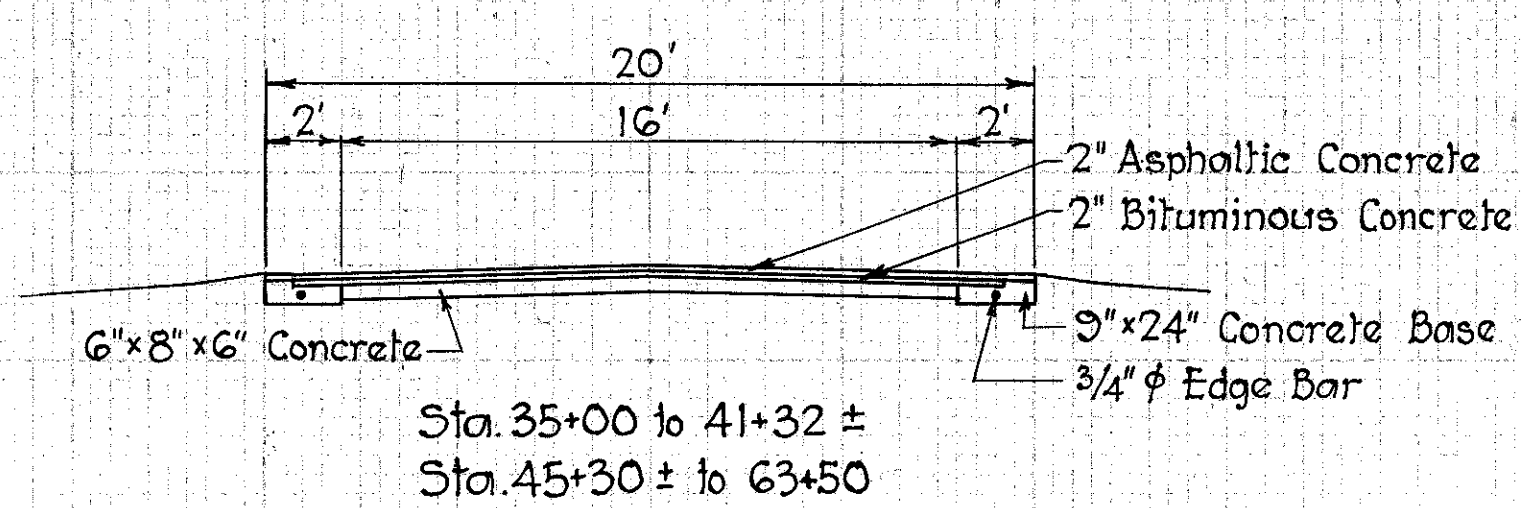
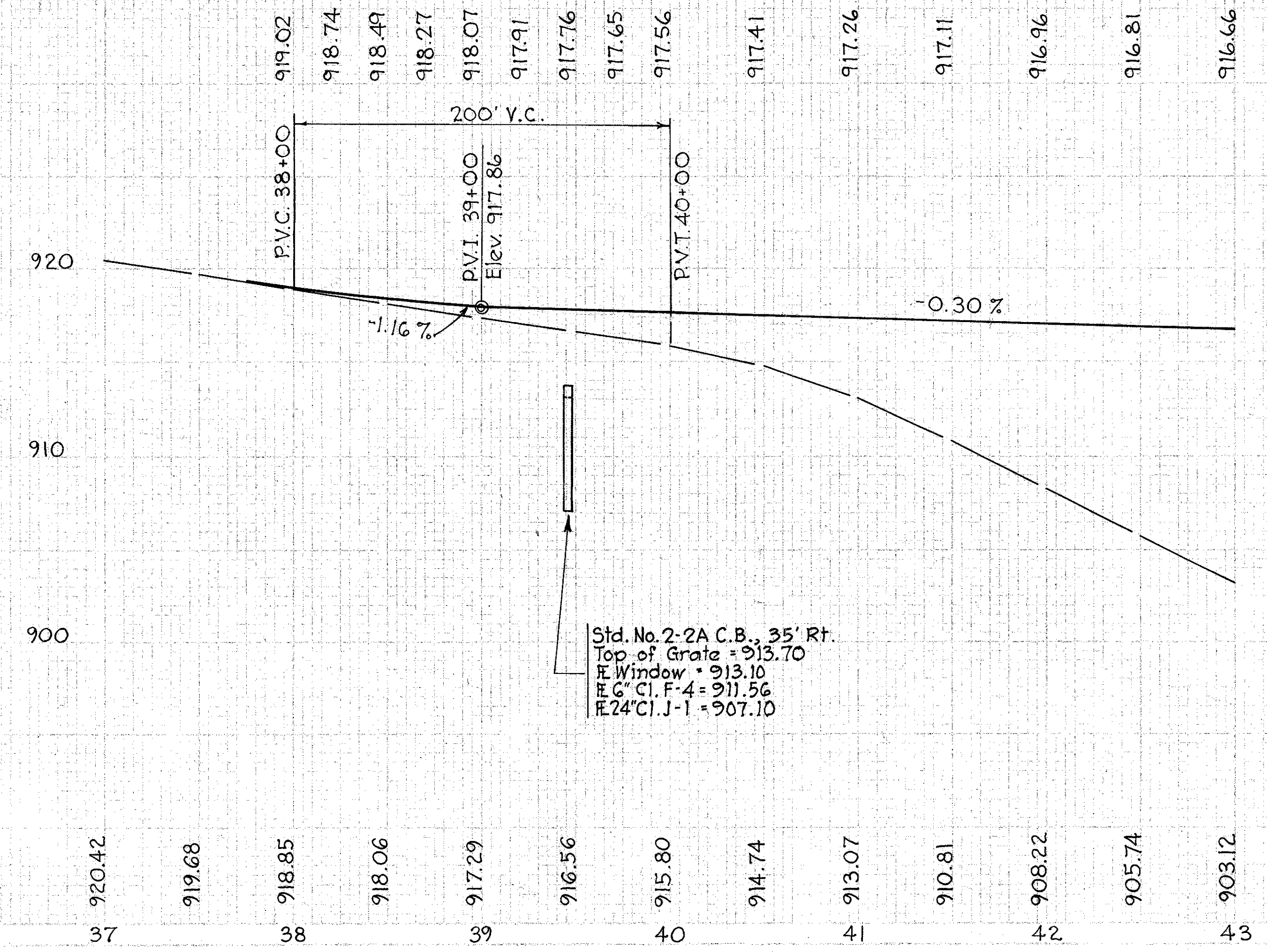


For Intersection Details, see Sheet No. 153

Reloc. 12" Water Main  
Temp. 12" Water Main  
For Details, see Sheets No. 236-238.



TYPICAL SECTIONS  
EXISTING PAVEMENT  
ROYALTON RD. -S.R.82



Std. No. 2-2A C.B., 35" RT.  
Top of Grate = 913.70  
R Window = 913.10  
R C.C.I.F. = 911.56  
R 24" C.I.J. = 907.10

ESTIMATED QUANTITIES \* as per plans

REF. NO.	STATION TO STATION	SIDE	I-1	I-2	I-8	I-10	I-15	I-18	L-10	E-12	T-35	I-23	E-8	S-24	I-124	SEE SHEET NO.
1-D	40+75 to 43+00	Lt.														226
2-D	42+50 to 43+00	Rt.														
3-D	41+12 to 41+30	Rt.														
4-D	41+92 to 42+16	Rt.														
5-D	38+31 to 38+73	Lt.														
7-D	39+70	Lt.														
8-D	39+54	Rt.														
9-D	39+20 to 39+70	Lt.														
1-R	41+00 to 43+00	Lt.														
2-R	42+00 to 43+00	Rt.														
1-P	40+00 to 43+00	Lt.														
2-P	38+00 to 43+00	Rt.														
1-A	38+50	Lt.														
2-A	37+77	Rt.														
10-D	37+58 to 37+96	Rt.														
11-D	37+96 to 38+11	Rt.														
12-D	37+00 to 37+64	Rt.														
1-U	34+80	Rt.														
2-U	35+50	Rt.														
TOTALS																