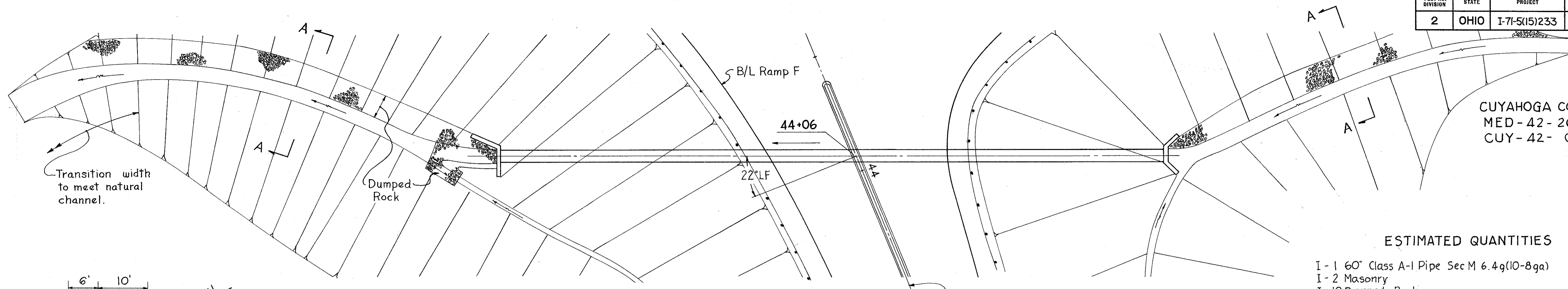
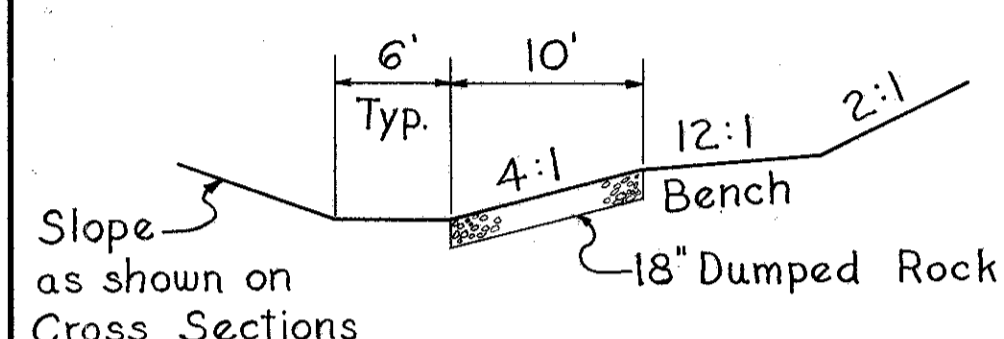


CUYAHOGA COUNTY
MED-42-26.17
CUI-42-000



ESTIMATED QUANTITIES

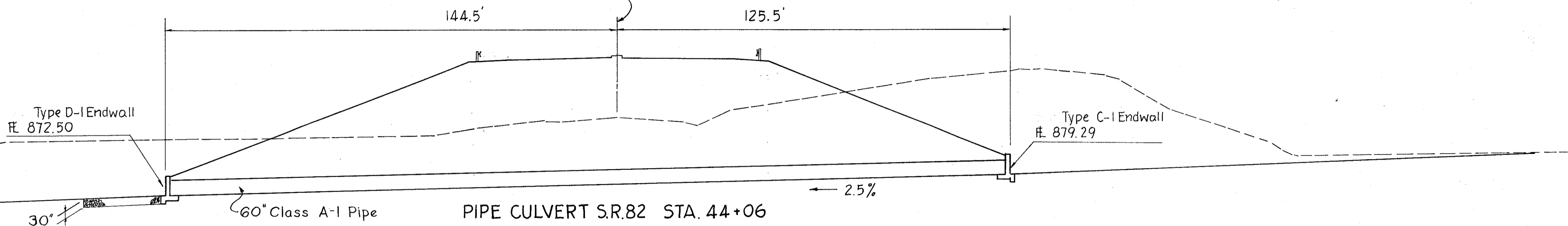
| | | |
|---|------|------|
| I-1 60" Class A-I Pipe Sec M 6.4g(10-8ga) | 270 | L.F. |
| I-2 Masonry | 2700 | C.Y. |
| I-10 Dumped Rock | 338 | C.Y. |
| L-10 Sodding | 23 | S.Y. |



SECTION A-A

CFN 180710263
SLM 2.63, 60"
SEE SHEET 153

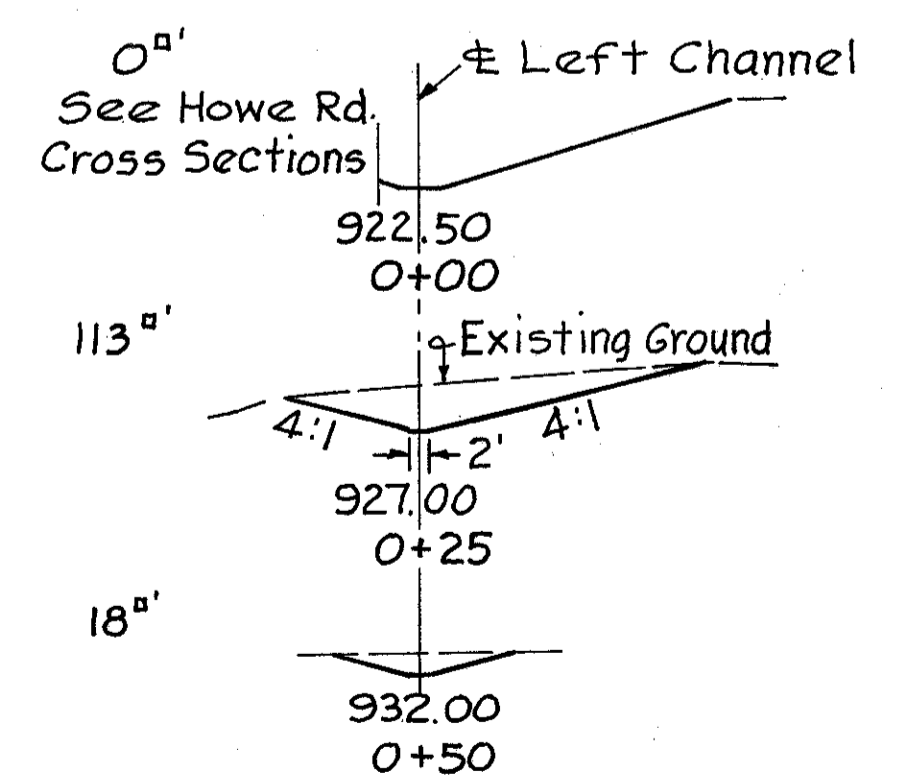
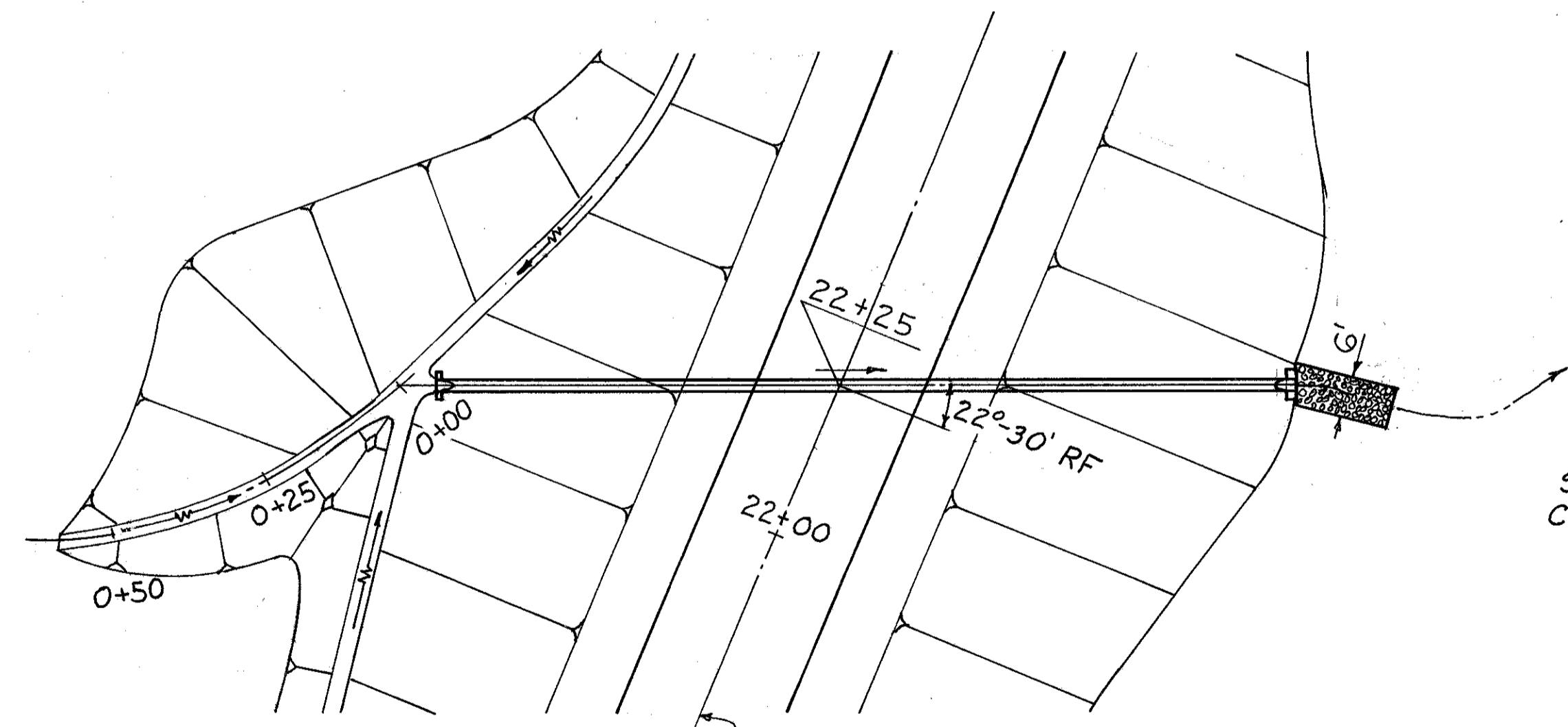
| | |
|-----------------|------------|
| Area | 195 Ac. |
| Q ₁₀ | 186 c.f.s. |



PIPE CULVERT S.R.82 STA. 44+06

ESTIMATED QUANTITIES

| | |
|--------------------------------------|------------|
| I-1 24" Class A-I Pipe Sec. M-G.G(c) | = 130 L.F. |
| I-2 Masonry | = 082 C.Y. |
| I-10 Dumped Rock | = 8.3 C.Y. |
| L-10 Sodding | = 6 S.Y. |
| E-3 Channel Excavation | = 117 C.Y. |



Std. Type "E" Headwall
E= 922.24

Std. Type "E" Headwall
E= 917.00

PIPE CULVERT RELOC. HOWE RD.-C.H.188 STA. 22+25

| | |
|-----------------|-----------|
| Area | 5.9 Ac. |
| Q ₁₀ | 18 c.f.s. |