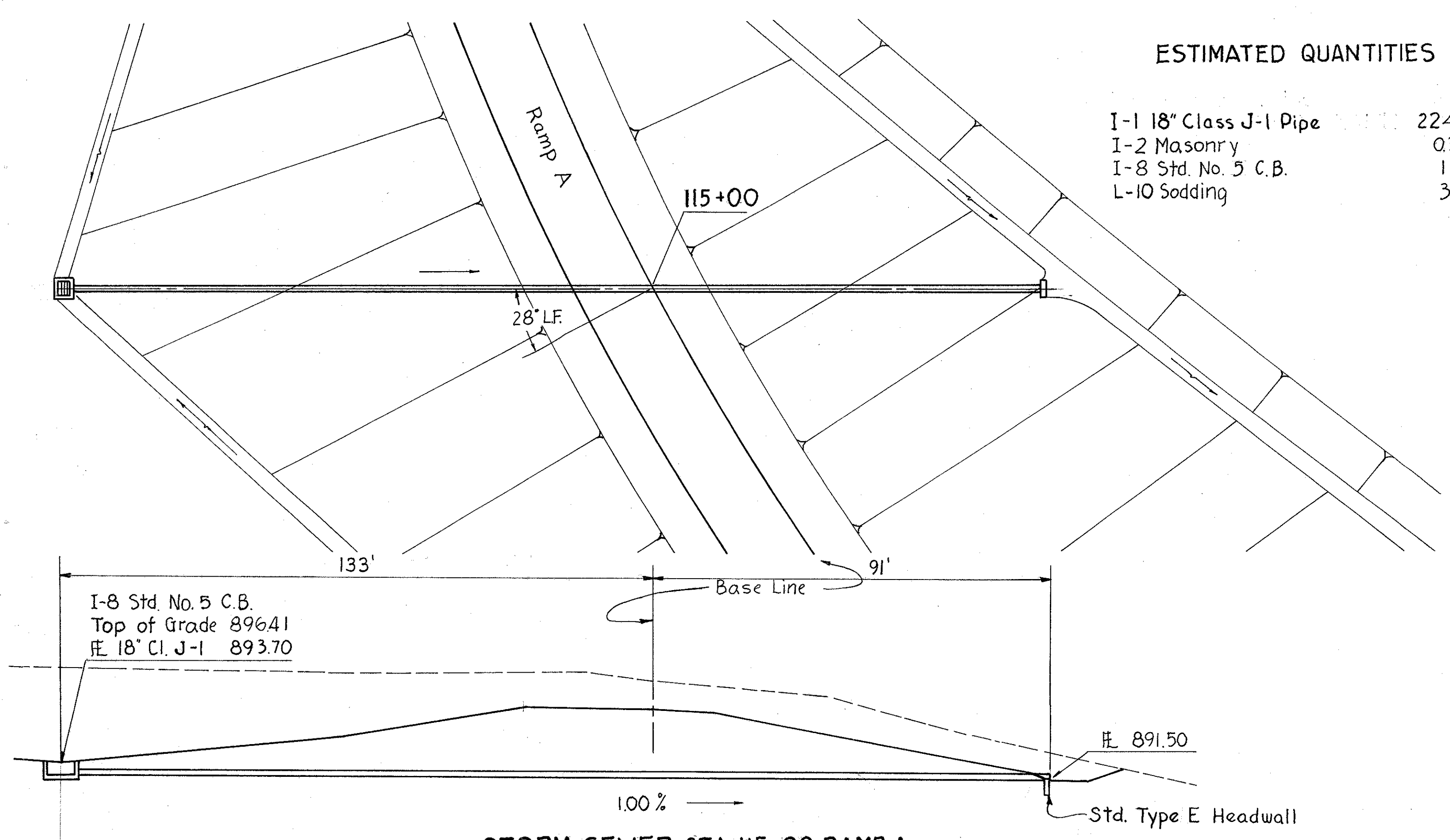


CUYAHOGA COUNTY
MED - 42 - 26.17
CUY - 42 - 0.00

ESTIMATED QUANTITIES

- I-1 18" Class J-1 Pipe 224 L.F.
- I-2 Masonry 0.30 C.Y.
- I-8 Std. No. 5 C.B. 1 Ea.
- L-10 Sodding 3 S.Y.

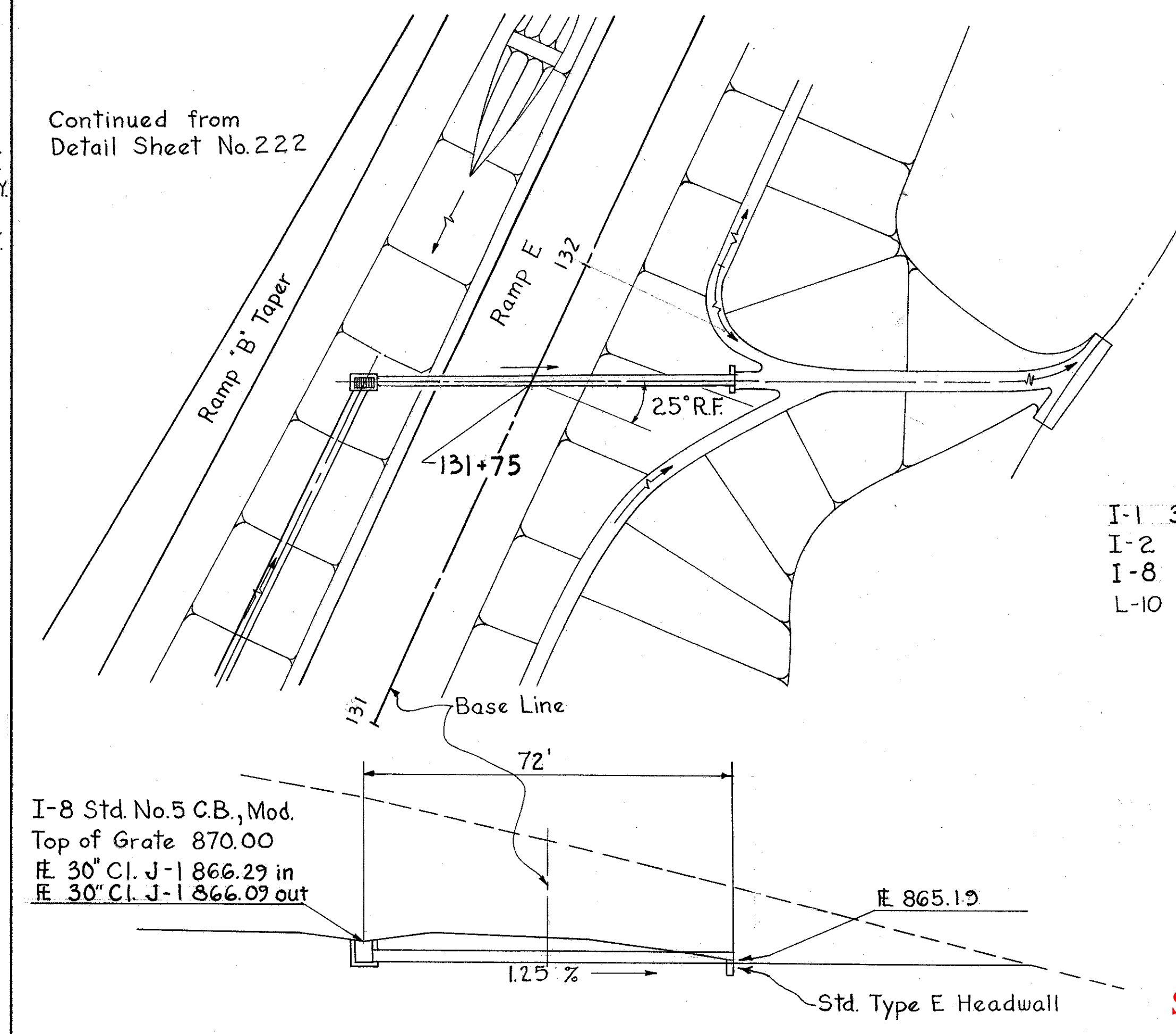


STORM SEWER STA. 115+00 RAMP A

Continued from
Detail Sheet No. 222

ESTIMATED QUANTITIES

- I-1 30" Class J-1 Pipe 72 L.F.
- I-2 Masonry 0.51 C.Y.
- I-8 Std. No. 5 C.B., Mod. 1 Ea.
- L-10 Sodding 4 S.Y.

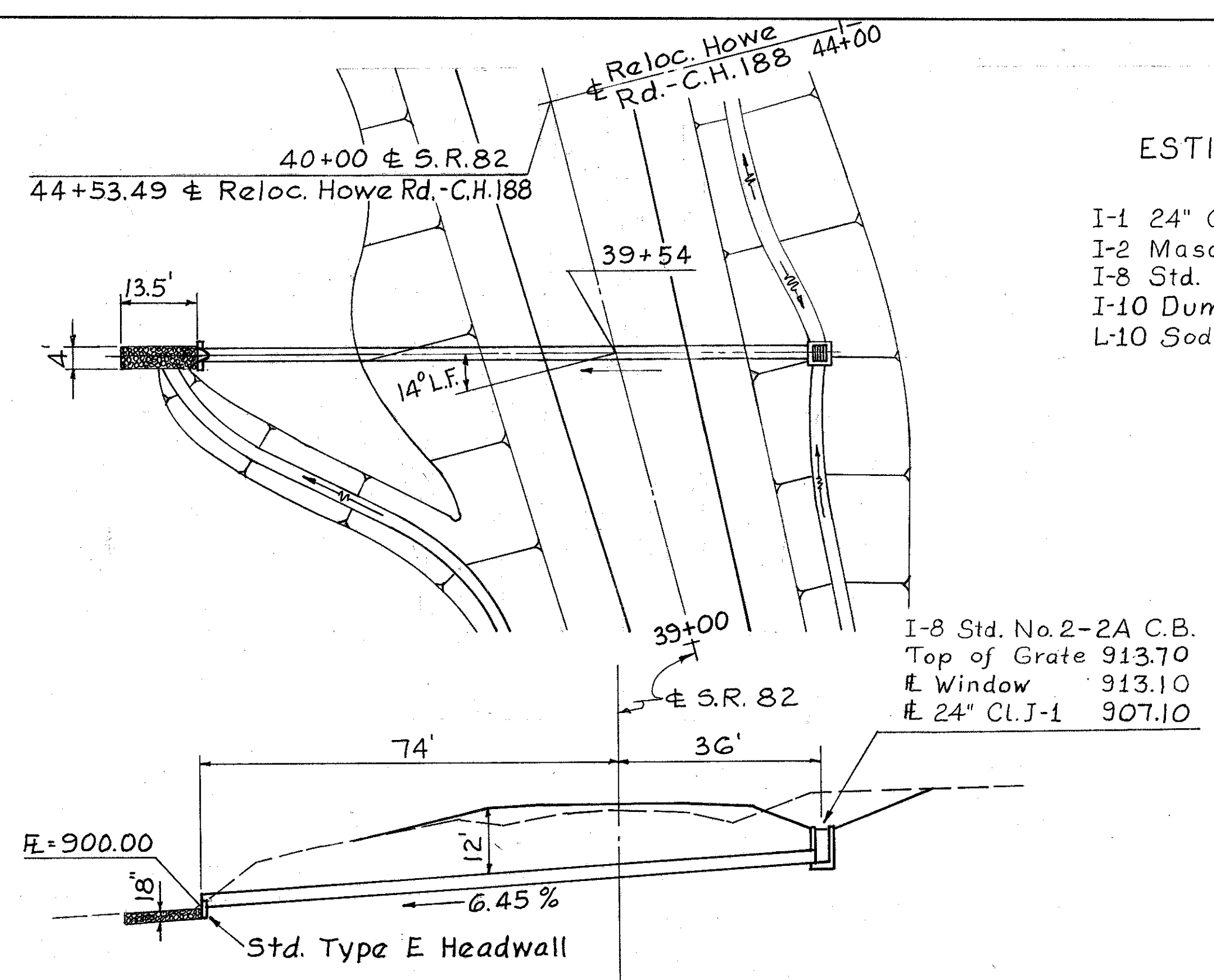


STORM SEWER STA. 131+75 RAMP E

SLM 2.74, 30"
SEE SHEET 51

ESTIMATED QUANTITIES

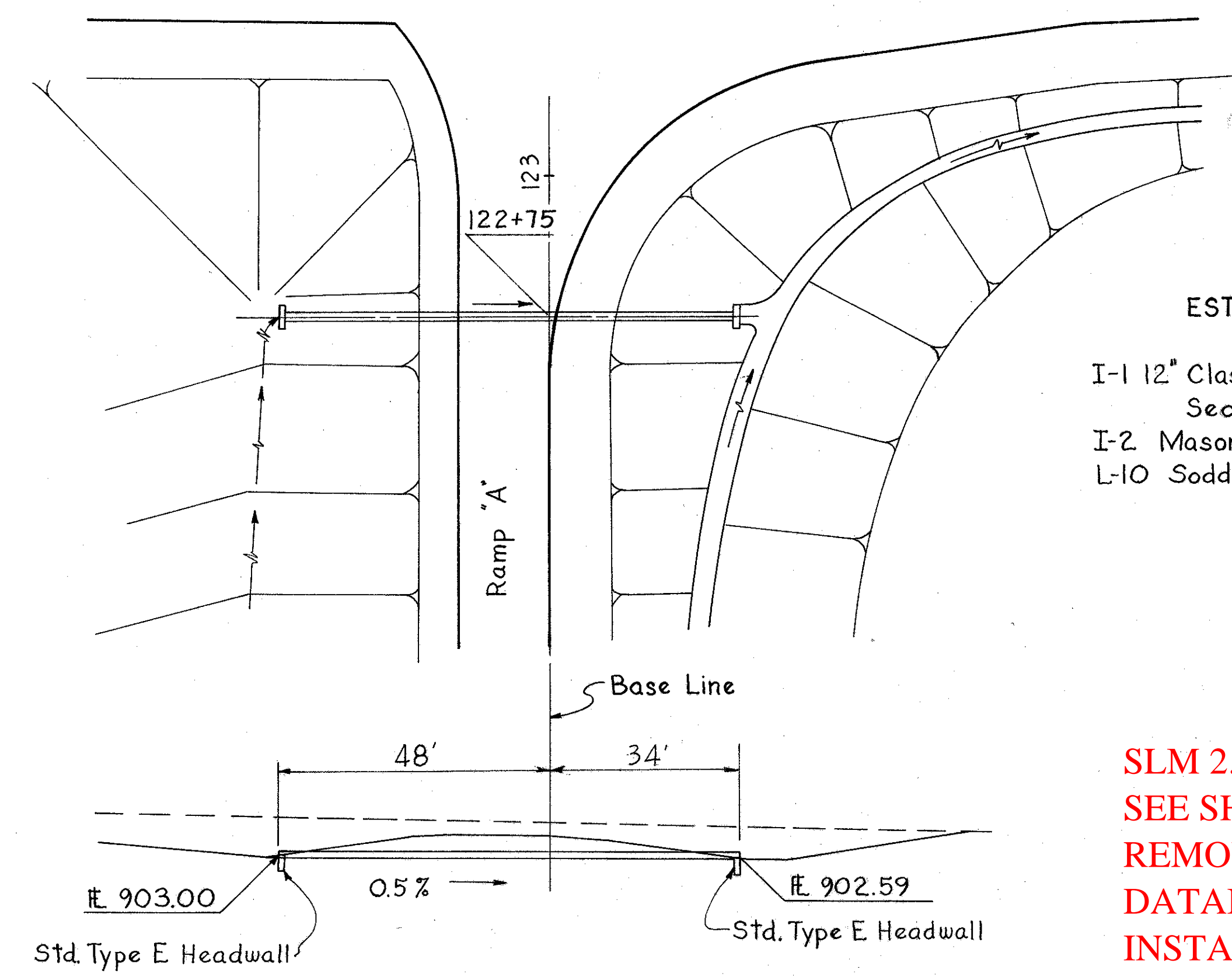
- I-1 24" Class J-1 Pipe 110 L.F.
- I-2 Masonry 0.41 C.Y.
- I-8 Std. No. 2-2A C.B. 1 Ea.
- I-10 Dumped Rock 3 C.Y.
- L-10 Sodding 3 S.Y.



STORM SEWER STA. 39+54 S.R. 82

ESTIMATED QUANTITIES

- I-1 12" Class A-1 Pipe Sec. M6.6(a) or M6.8(b) 82 L.F.
- I-2 Masonry 0.52 C.Y.
- L-10 Sodding 3 S.Y.



PIPE CULVERT STA. 122+75 RAMP A

SLM 2.50, 12"
SEE SHEET 171
REMOVE FROM
DATABASE, CITY
INSTALLED CB AT
INLET UNDER PERMIT