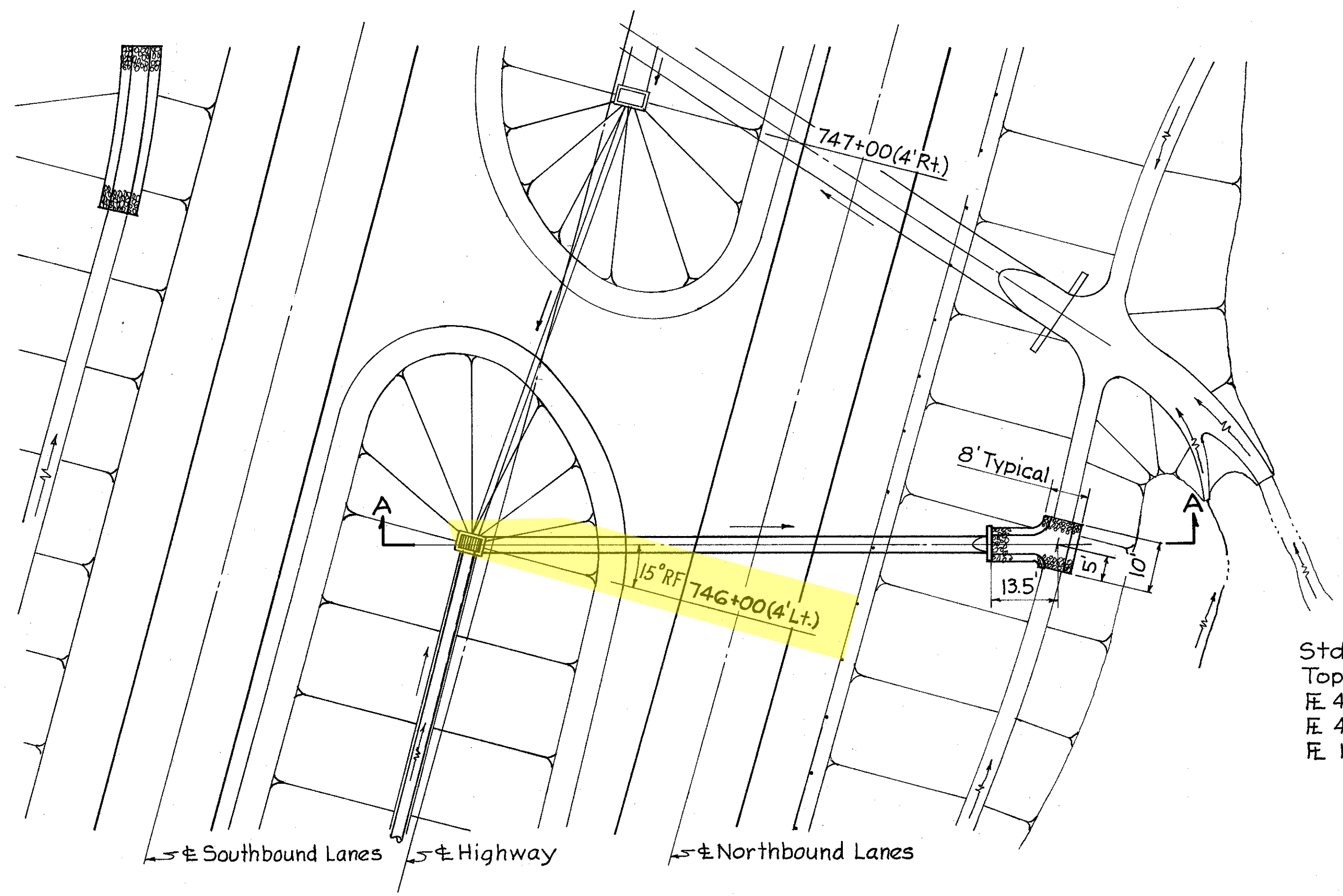


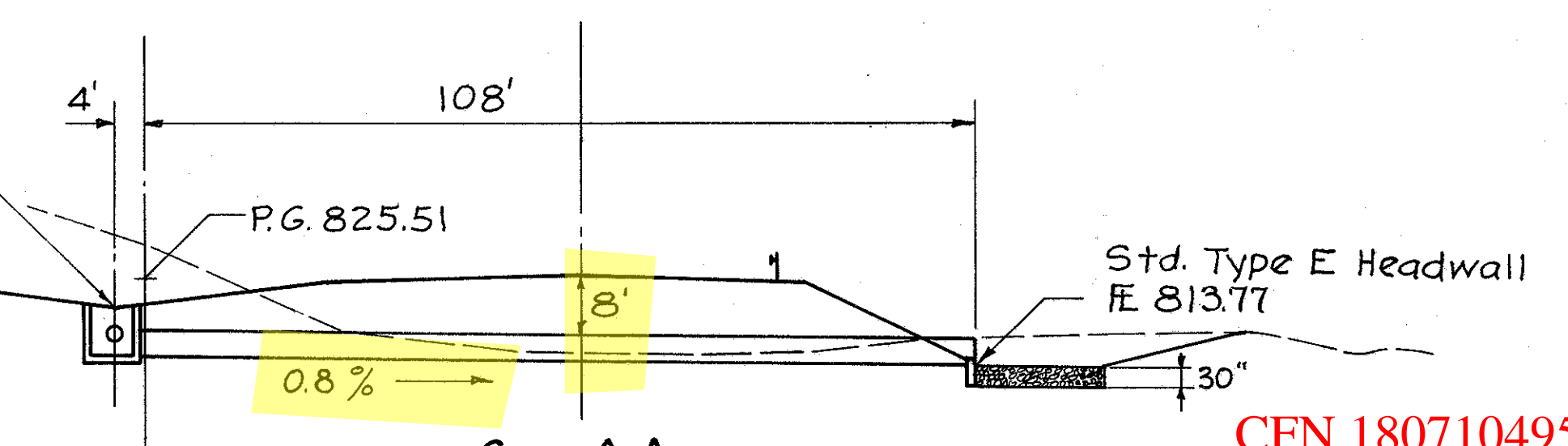
ESTIMATED QUANTITIES

I-1 42" Class J-1 Pipe	112	L.F.
I-2 Masonry	0.8	C.Y.
I-8 Std. No.4 C.B., (Mod.)	1	Ea.
I-10 Dumped Rock Channel Protection	15	C.Y.
L-10 Sodding	4	S.Y.

Drainage Area = 48 Ac
Q₁₀ = 81 CFS



Std. No.4 C.B. Mod.
Top of Grate = 821.00
E 42" Class E-1, in = 814.73
E 42" Class J-1, out = 814.63
E 15" Class D-1, in = 816.98



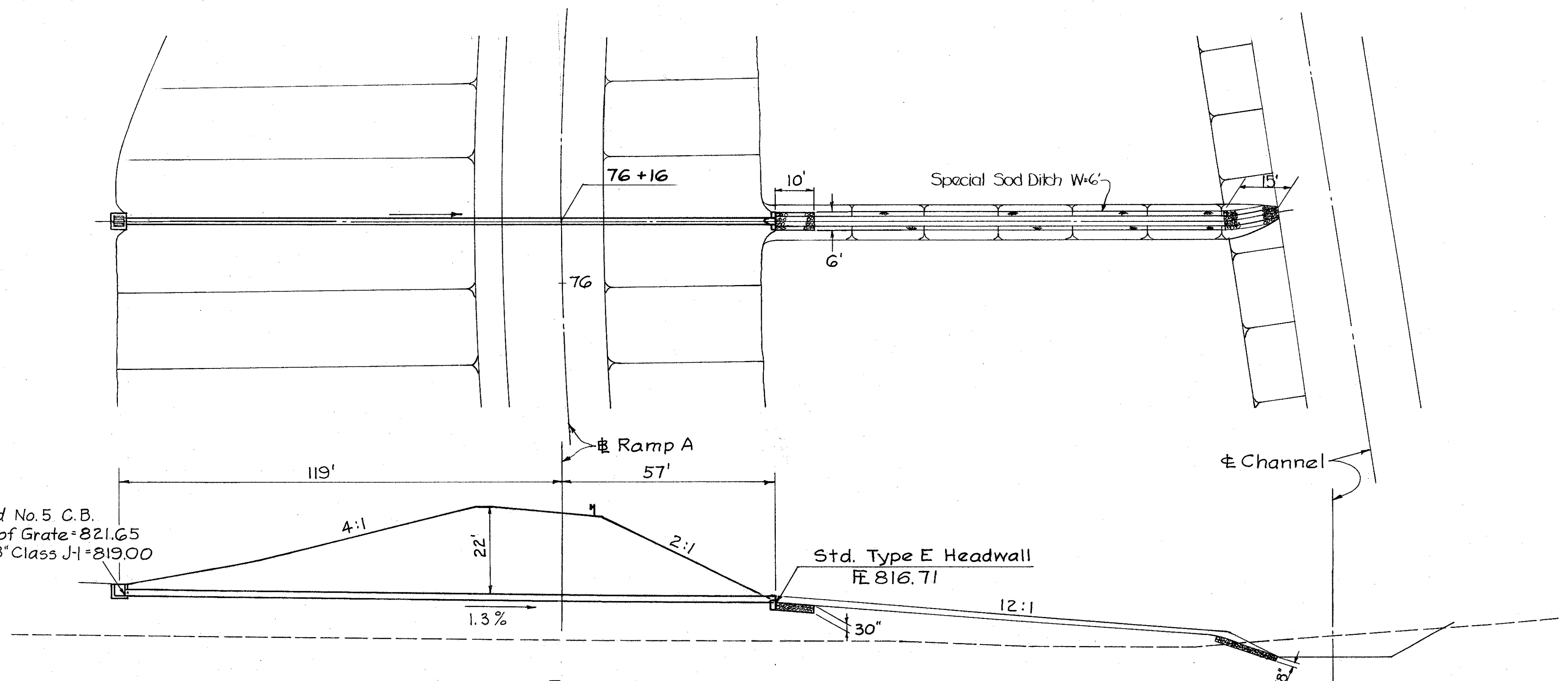
Sec. A-A
STORM SEWER STA. 746+00
Scale: 1" = 20'

CFN 180710495
SLM 4.91, 42"
SEE SHEET 27

ESTIMATED QUANTITIES

I-1 18" Class J-1 Pipe, Sec. MG.G(d)	176	L.F.
I-2 Masonry	0.3	C.Y.
I-10 Dumped Rock Channel Protection	11	C.Y.
L-10 Sodding	75	S.Y.
I-8 Std. No.5 C.B.	1	Ea.

Drainage Area = 2.8 Ac.
Q₁₀ = 8 CFS



Std No.5 C.B.
Top of Grate = 821.65
E 18" Class J-1 = 819.00

STORM SEWER RAMP A, STA. 76+16
Scale: 1" = 20'

SLM 5.45, 18"
SEE SHEET 116