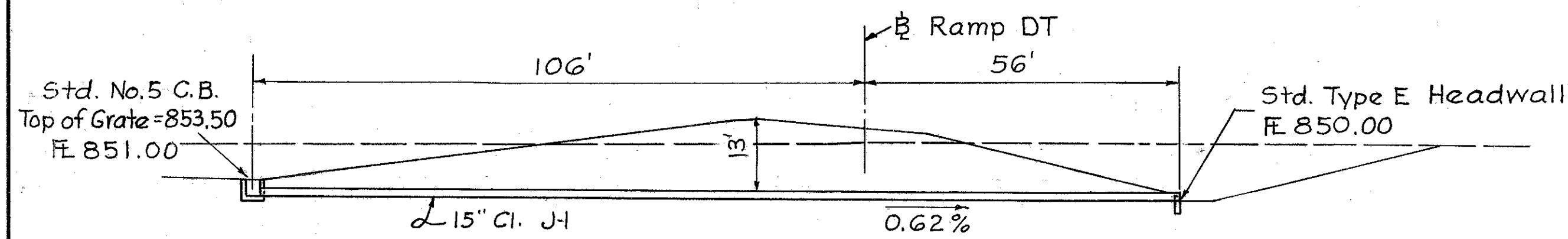
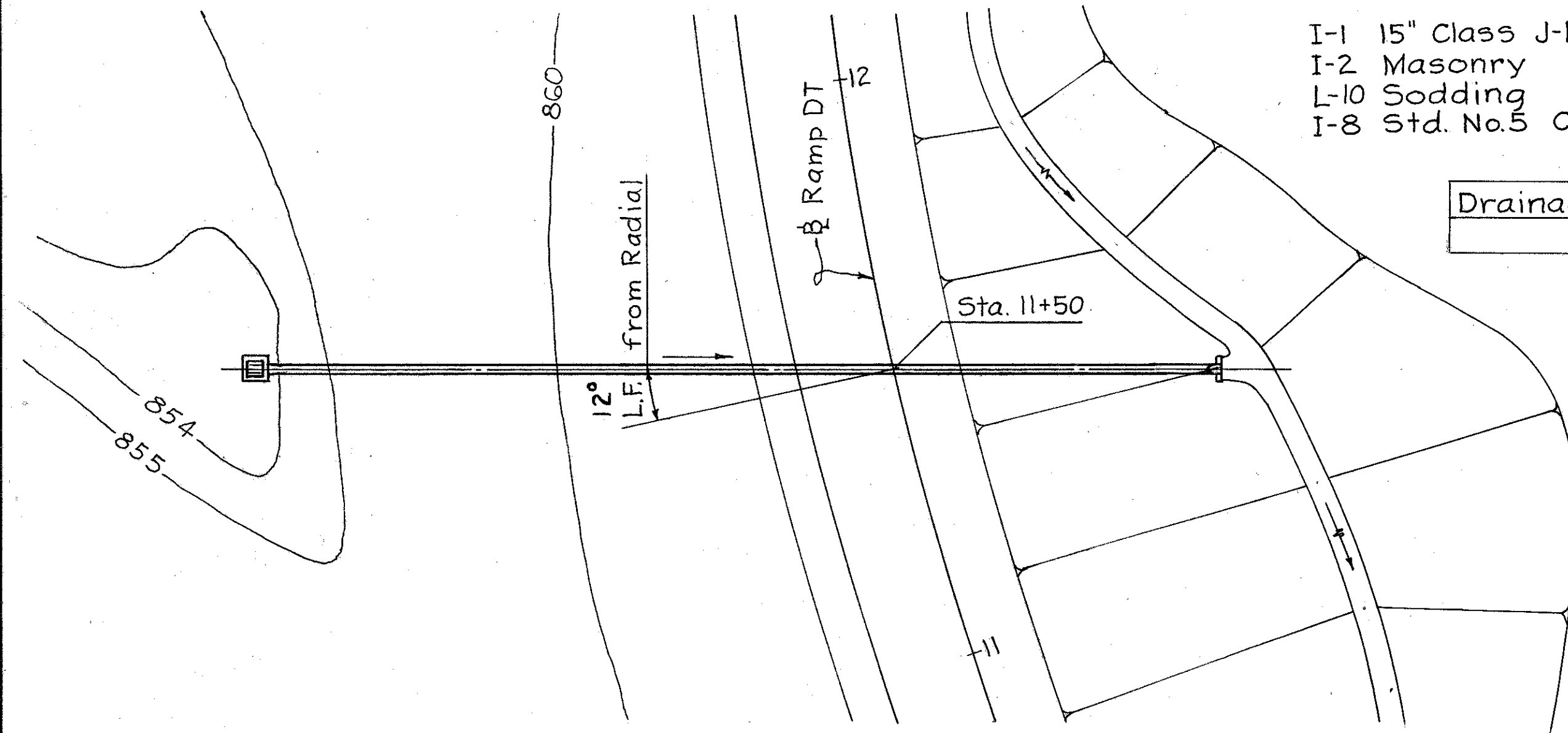


FED. RD. DIVISION	STATE	PROJECT
2	OHIO	I-71-5(II) 236

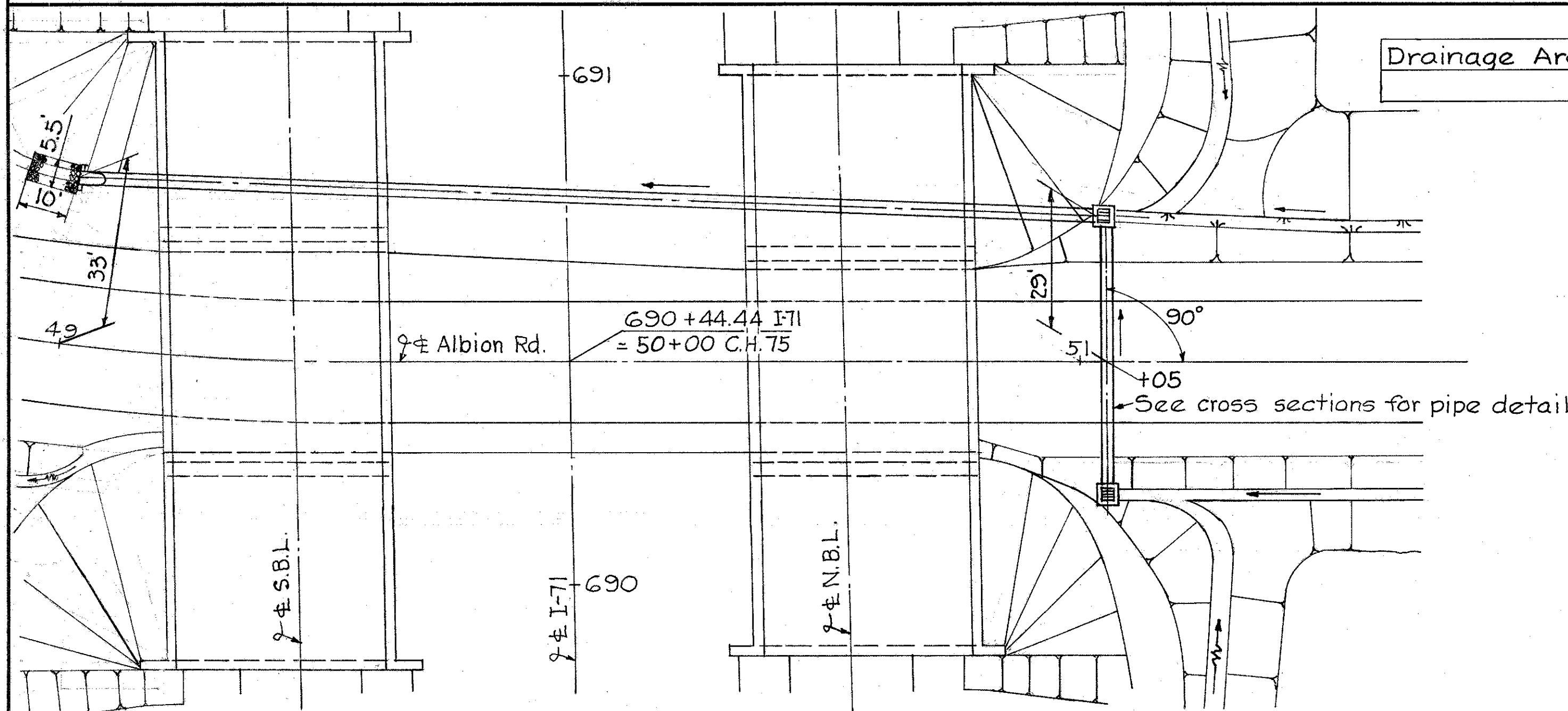
ESTIMATED QUANTITIES

- I-1 15" Class J-1 Pipe, M-6.6(b) or M-6.8(b) 162 L.F.
- I-2 Masonry 0.3 C.Y.
- L-10 Sodding 2 S.Y.
- I-8 Std. No.5 C.B. 1 Ea.

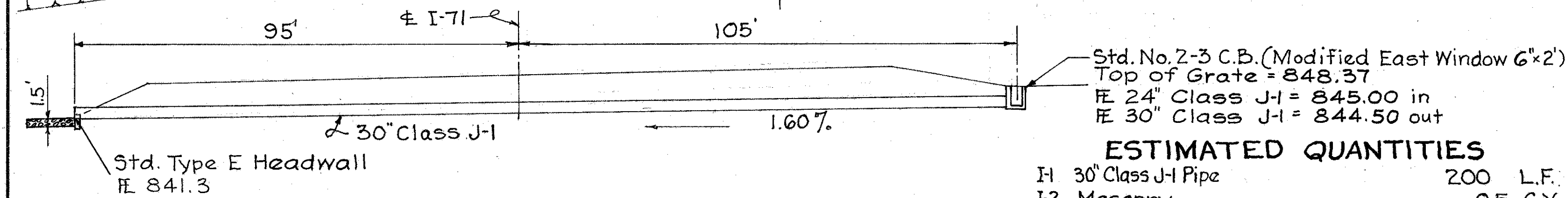
Drainage Area = 2.1 Ac
 Q₁₀ = 6.4 CFS



Scale: 1" = 20'
STORM SEWER STA. 11+50 RAMP DT



Drainage Area = 80 Ac
 Q₁₀ = 21.6 CFS



- ESTIMATED QUANTITIES**
- I-1 30" Class J-1 Pipe 200 L.F.
 - I-2 Masonry 0.5 C.Y.
 - I-10 Dumped Rock Channel Protection 3 C.Y.
 - L-10 Sodding 7 S.Y.
 - I-8 Std. 2-3 C.B. (Modified East Window 6"x2") 1 Each

Scale: 1" = 20'
STORM SEWER STA. 49+00 to STA. 51+05 ALBION RD- 31' Lt.