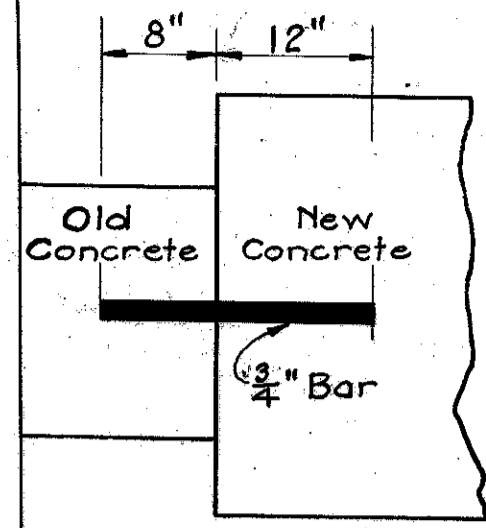


10' H 15 SEC. H;
GEALGA COUNTY

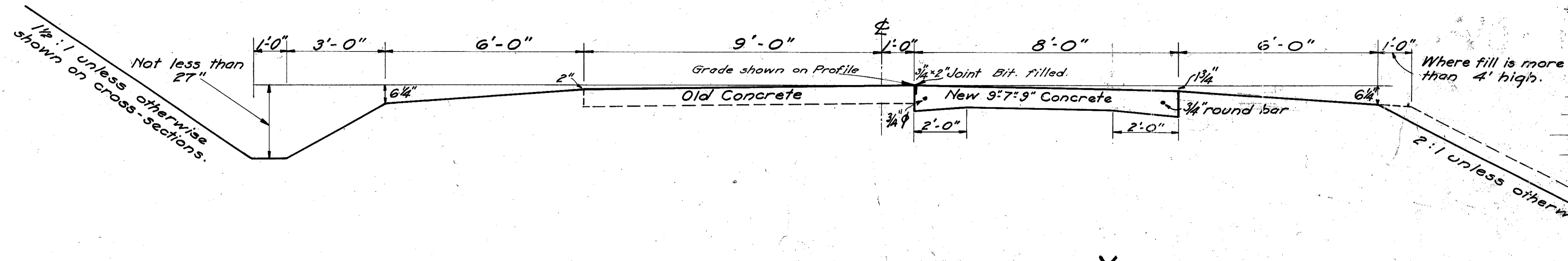
38

TYPICAL SECTION W

SHOWING WIDENING WITH 8' OF 3"-7"-9" CONCRETE. 1-5 MIX.



DETAIL OF DOWELS FOR BRIDGE & CULVERT EXTENSIONS

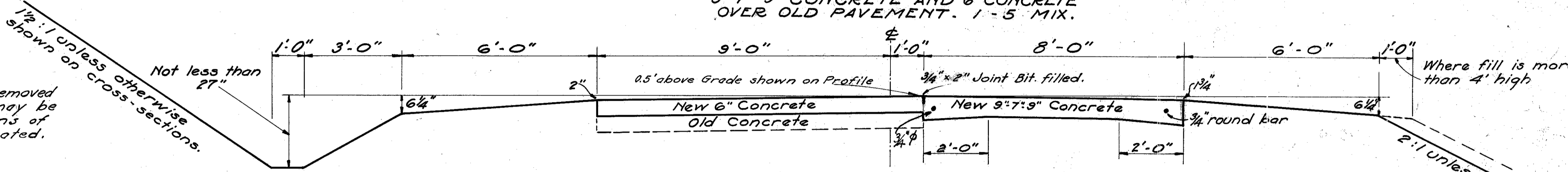


Note:- Contractor to build pavement one-half width at a time and maintain one-way traffic thru working section. Excavation shall not be made more than 1500 ft. ahead of mixer. Contractor shall maintain two watchmen 24 hrs. per day at ends of working section and lanterns and barricades thru working section not more than 300 ft. apart.

TYPICAL SECTION X

SHOWING WIDENING WITH 8' OF 9"-7"-9" CONCRETE AND 6" CONCRETE OVER OLD PAVEMENT. 1-5 MIX.

Note:- Sound V.S.P. removed from present drains may be used where new drains of same size are indicated.

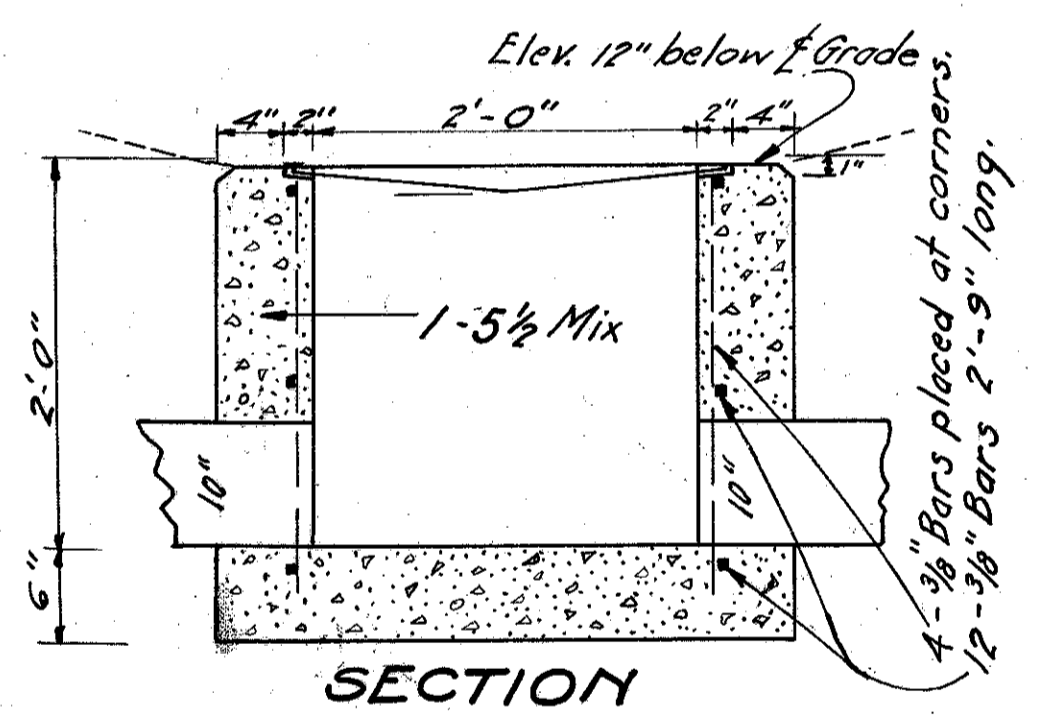


GRUBBING
Note:- Grubbing includes the clearing of the right-of-way between slope lines, of all trees, brush, boulders, fences, etc., as directed, and is included in the excavation item.

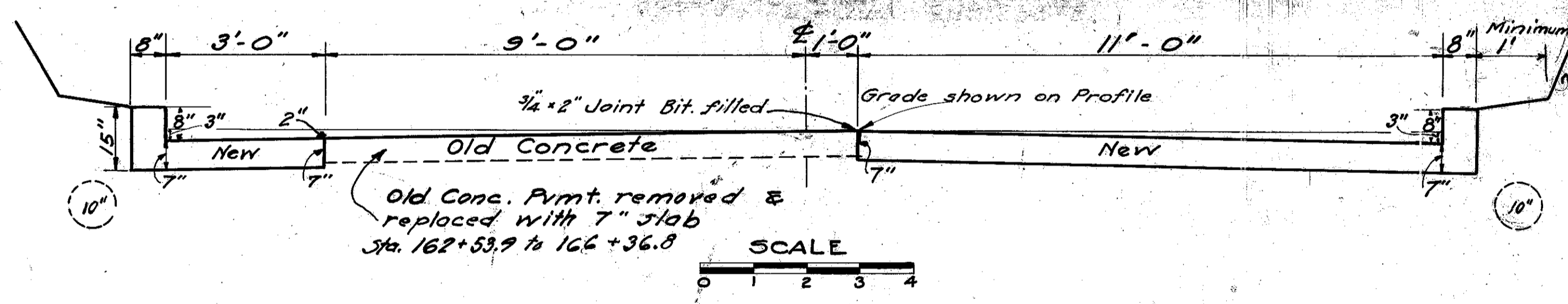
DRIVEWAY PIPE
Pipe shall be corrugated iron in 18 foot lengths and of diameter sizes shown on the plan of the road. Work required shall consist of placing pipe at proper elevation in ditch line, or making acceptable grade in driveway and backfill over pipe.

TYPICAL SECTION Y

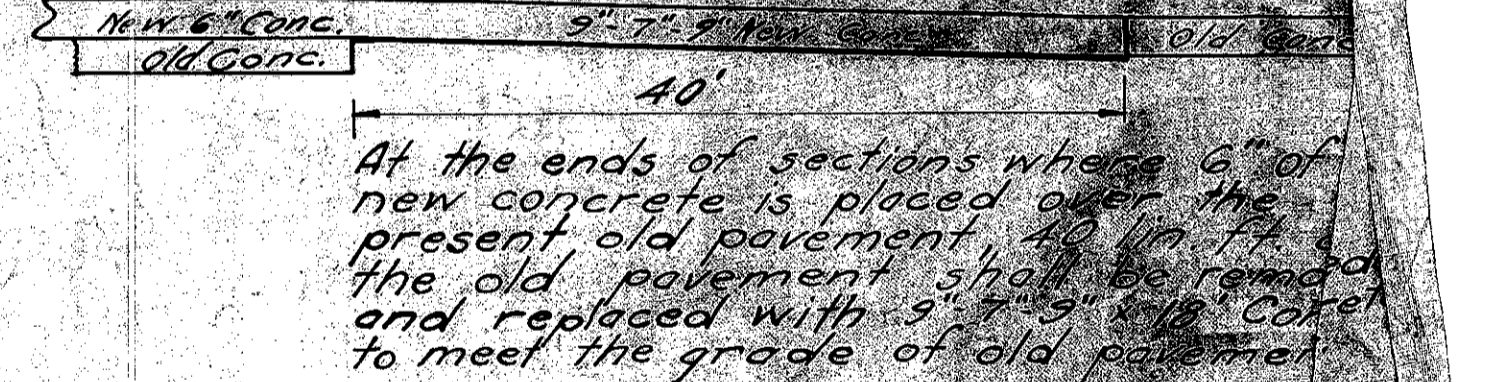
STA. 160+75 TO STA. 167+25 SHOWING 24' PAVEMENT WITH RAISED CURB. 1-5 MIX CONC.



SECTION



LONGITUDINAL SECTION



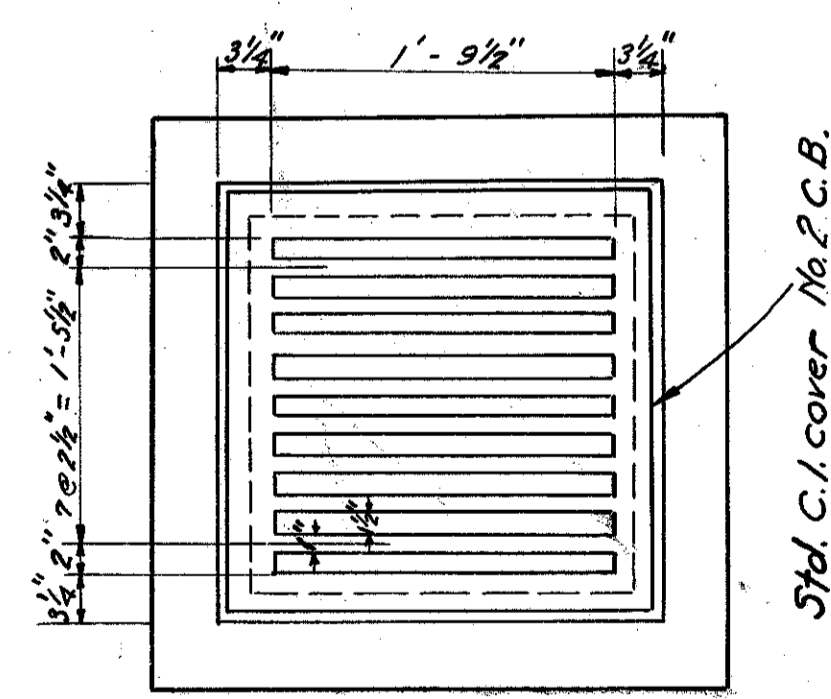
At the ends of sections where 6" of new concrete is placed over the present old pavement, the 10' in the old pavement shall be removed and replaced with 9"-7"-9" concrete to meet the grade of old pavement.

Note:- On all curves where old pavement is to be removed, the sub-grade shall be super-elevated and thoroughly compacted and shaped as directed.

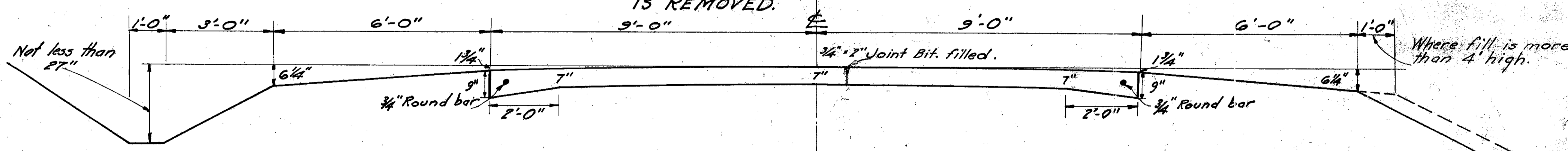
Note:- Removal of old pavement item shall include the removal of the present concrete Pymt. and necessary subgrade Exav. Old Pymt. to be disposed of as directed by the Engineer.

TYPICAL SECTION Z

SHOWING 9"-7"-9"-18' CONCRETE PAVEMENT. 1-5 MIX. TO BE USED WHERE OLD PAVEMENT IS REMOVED.



PLAN SPECIAL INLET STA. 267+48 Lt. 1 Regd. complete.



See Summary Sheet for schedule of location of various types of pavement.

14697
14627
383