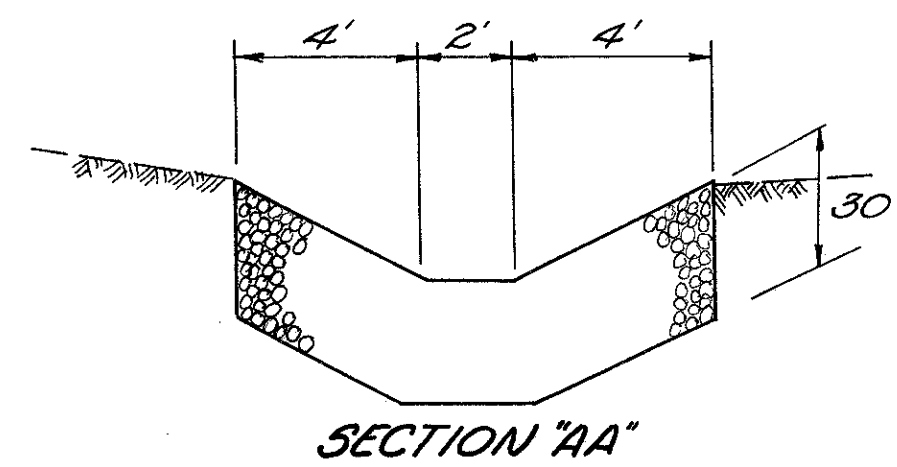
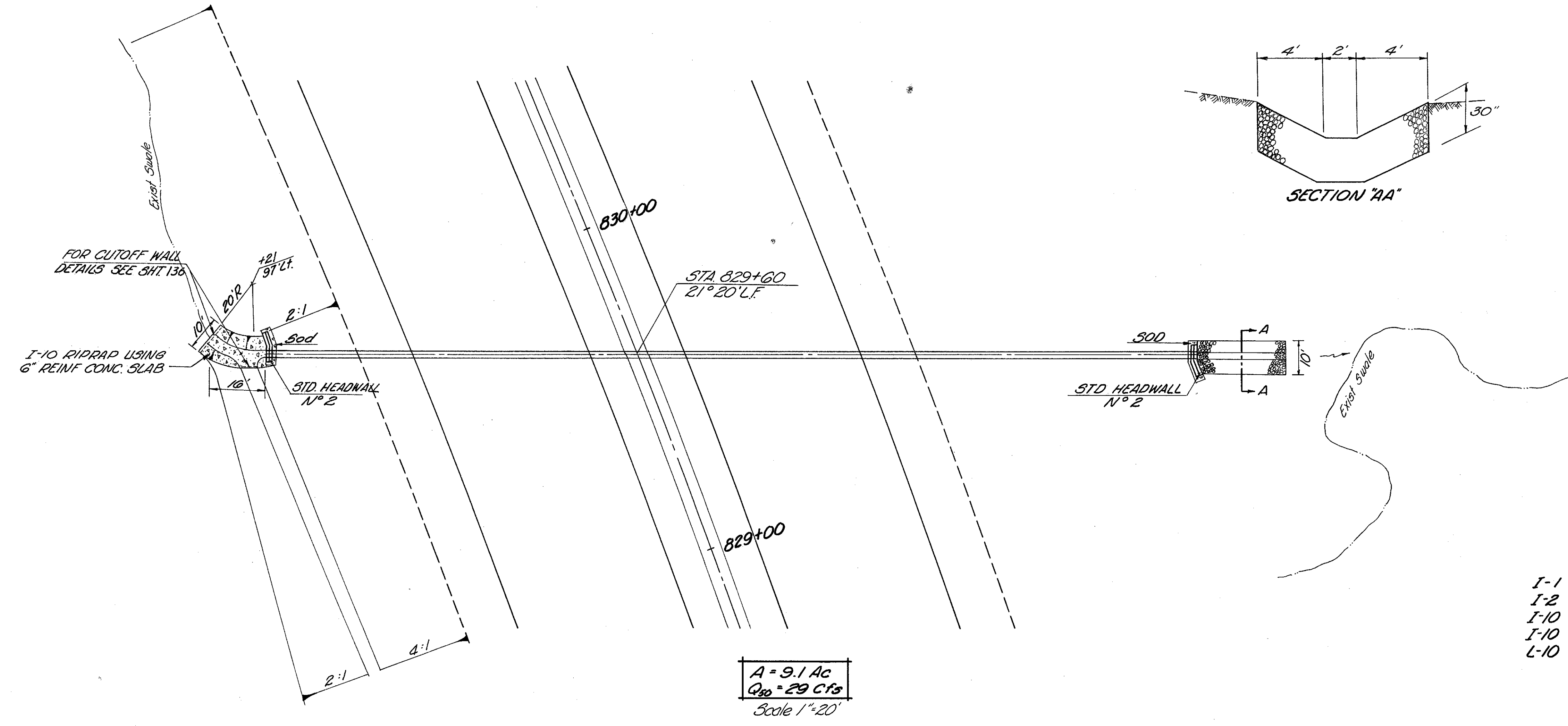


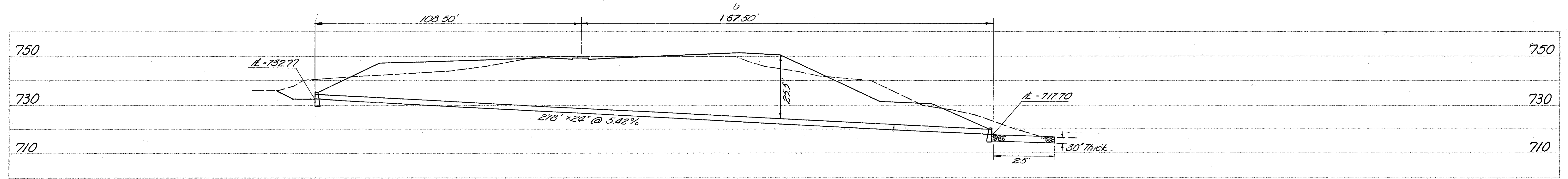
CUYAHOGA COUNTY
CUY-71-13.68



ESTIMATED QUANTITIES

I-1	24" PIPE CLASS A-1 Sec. M.G.(d)	278 LIN. FT.
I-2	MASONRY	5.6 CU. YDS.
I-10	RIPRAP USING 6" REINF CONC. SLAB	18 SQ. YDS.
I-10	DUMPED ROCK CHANNEL PROT.	23 CU. YDS.
L-10	SODDING	6 SQ. YDS.

old CFN 180711429
new CFN 1874383
SLM 14.29, 24"
SEE SHEET 21



DESCRIPTION	DATE	BY	CHECKED
PLOTTED	DATE	BY	
INKE	DATE	BY	
BY	DATE	BY	