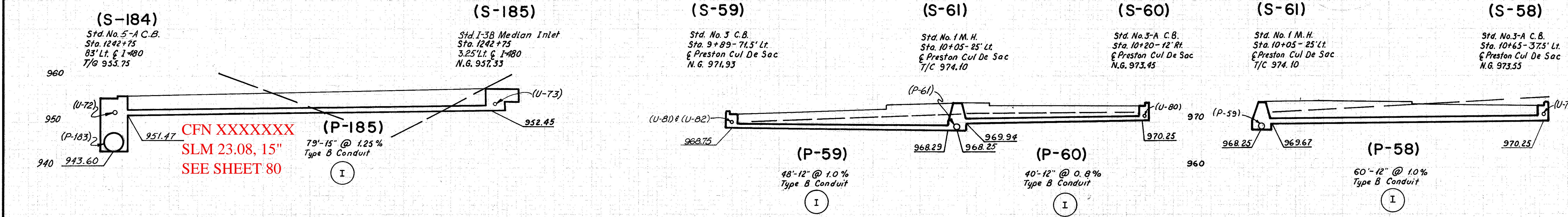
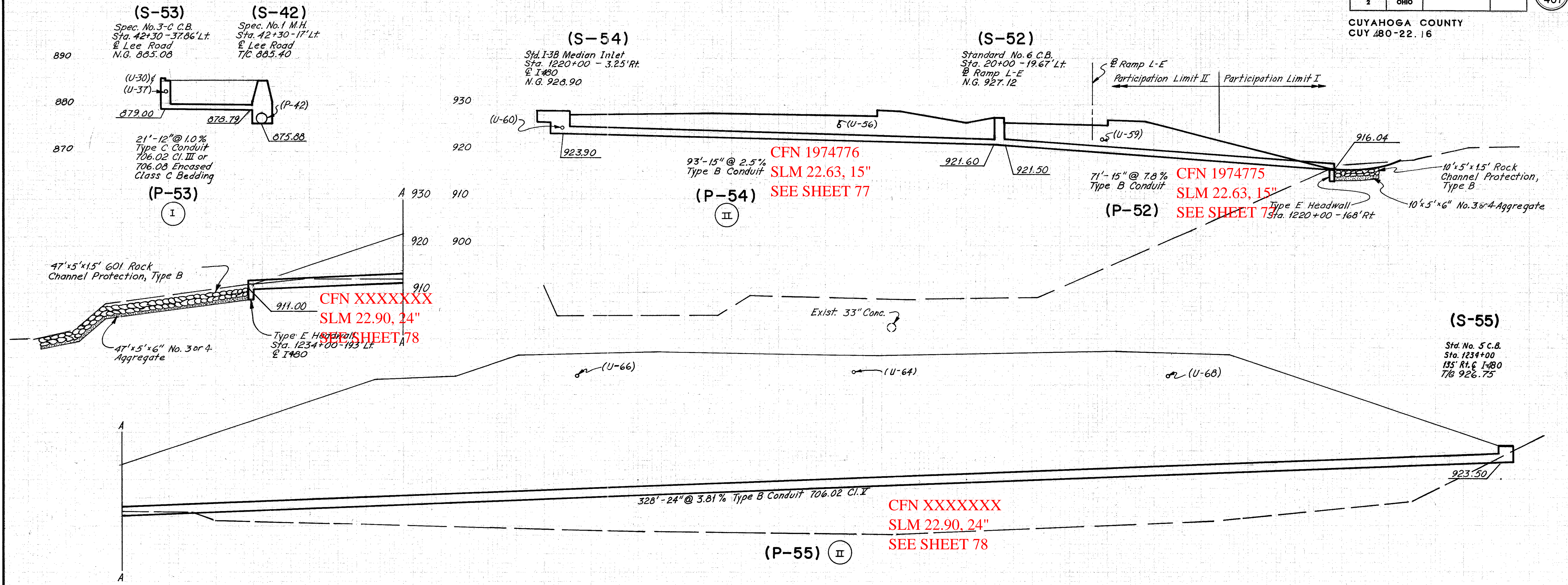


CUYAHOGA COUNTY  
CUY 480-22.16



HOWARD, NEEDLES, TAMMEN & BERGENDOFF  
CONSULTING ENGINEERS  
KANSAS CITY CLEVELAND NEW YORK

Scale: 1"=10' Hor. & Vert.

NOV 3 1970