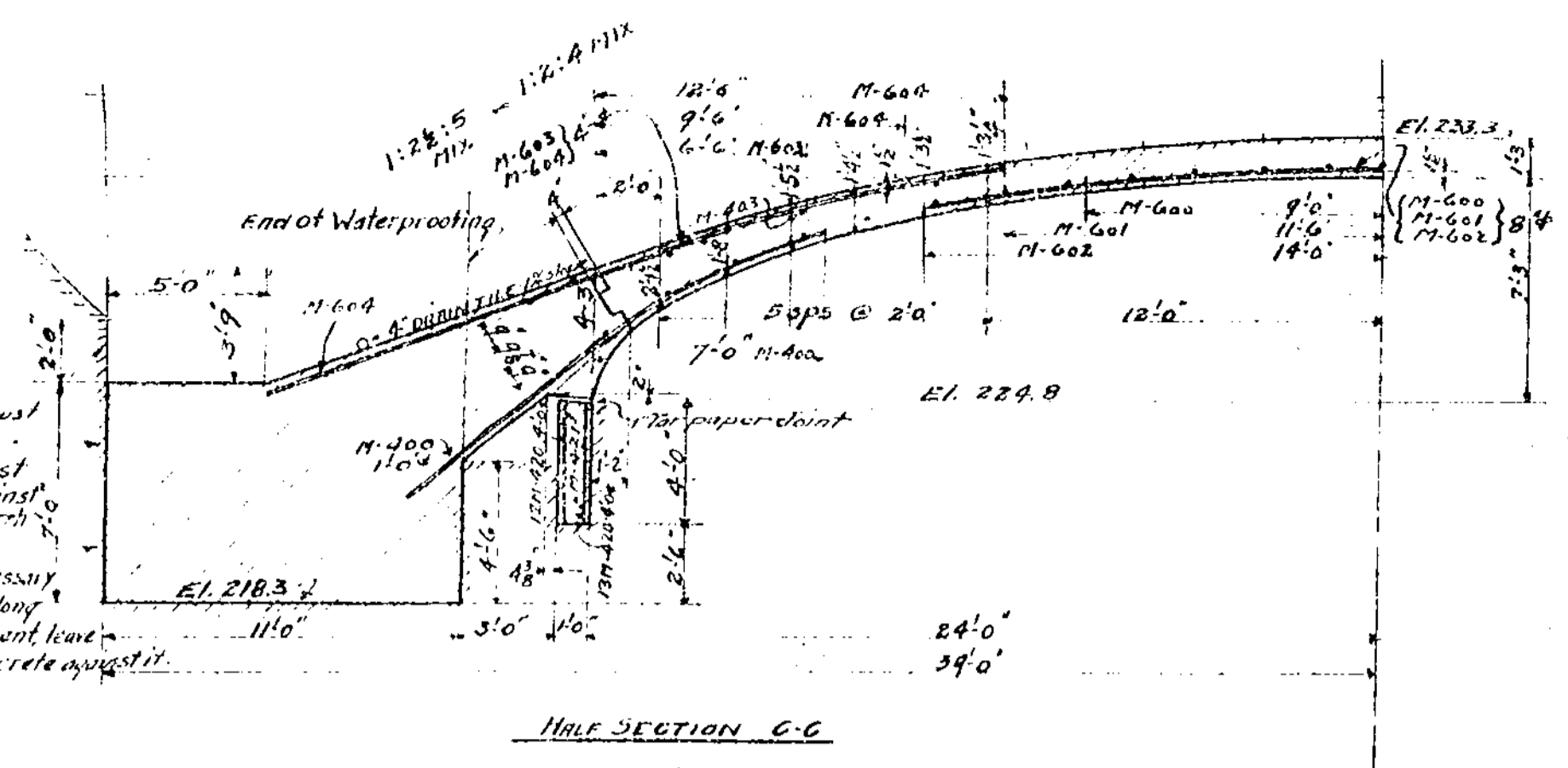
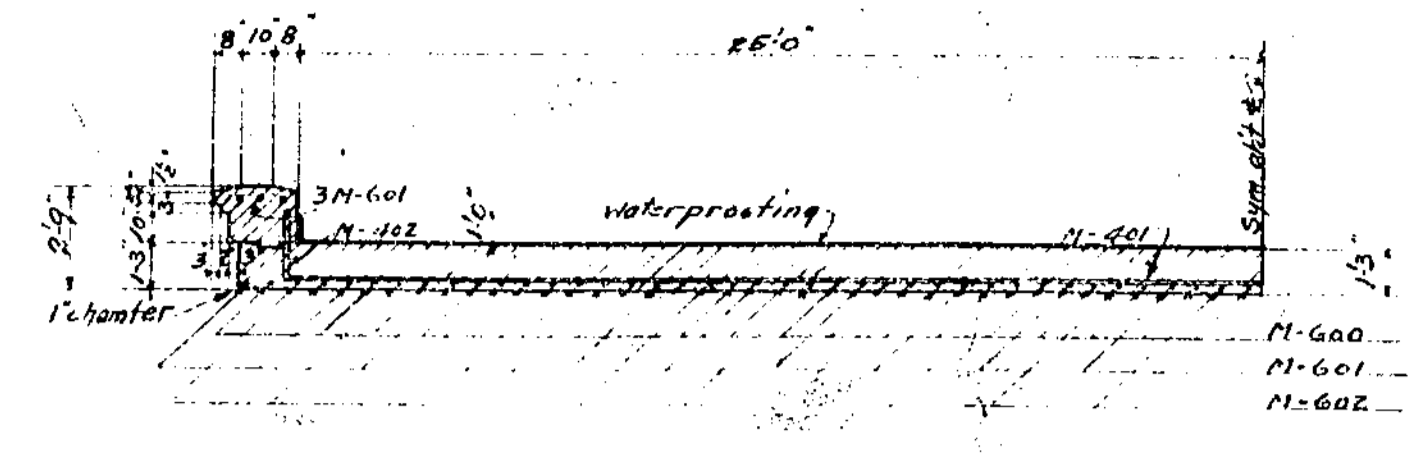


Excavation must follow this line. Concrete must be poured against undisturbed earth. If shoring is necessary, drive shoring along next line of abutment line. It is not to pour concrete against it.



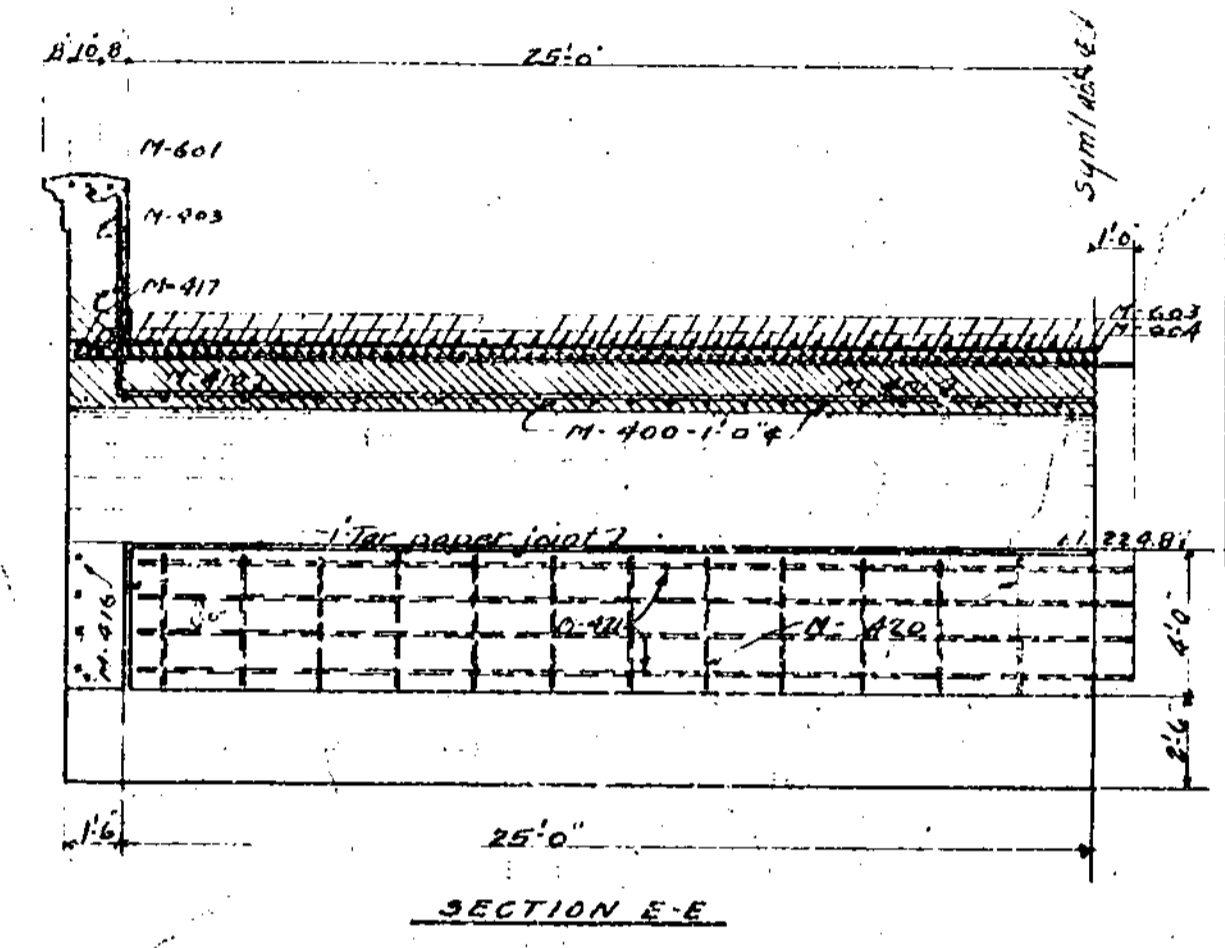
HALF SECTION C-C



SECTION B-B

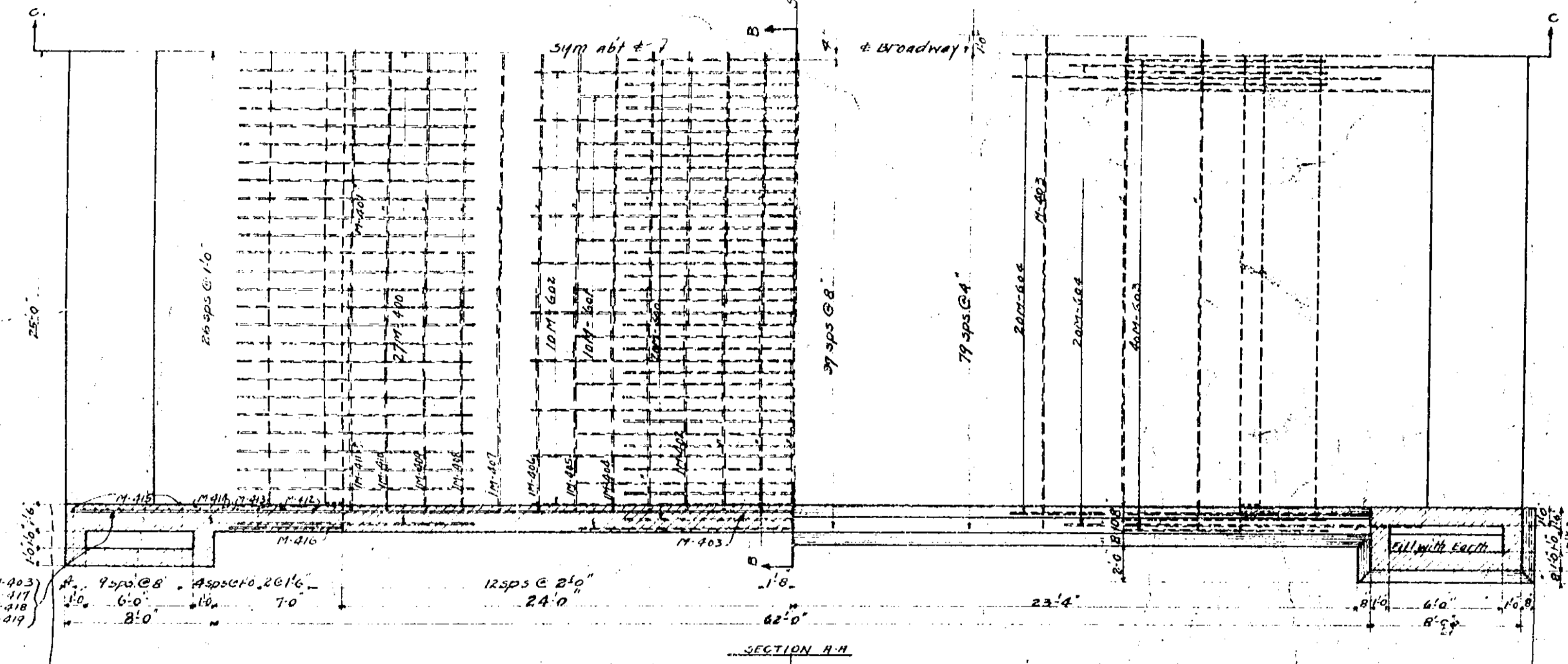
BILL OF BARS

MARK	NO	SIZE	LENGTH	BEND	LOCATION
M-600	40	3/4"	18'-0"	0	Arch Barrel
601	38	"	23'-0"	"	Head Walls
602	20	"	28'-0"	"	"
603	160	"	11'-0"	"	"
604	150	"	20'-0"	"	"
M-800	106	3/8"	15'-0"	0	"
801	25	"	30'-0"	"	"
802	14	"	19'-0"	"	Head Walls
803	18	"	27'-6"	"	"
804	8	"	14'-6"	"	Arch Barrel
805	4	"	14'-9"	"	"
806	4	"	15'-0"	"	"
807	4	"	15'-6"	"	"
808	4	"	16'-0"	"	"
809	4	"	16'-9"	"	"
810	4	"	17'-9"	"	"
811	4	"	18'-9"	"	"
812	8	"	9'-0"	0	"
813	8	"	9'-0"	"	"
814	8	"	10'-0"	"	"
815	40	"	11'-0"	"	"
816	16	"	6'-0"	"	"
817	4	"	22'-0"	"	"
818	4	"	16'-6"	"	"
819	4	"	11'-6"	"	"
820	50	"	3'-8"	"	Curtain Walls
821	16	"	26'-0"	"	"



SECTION E-E

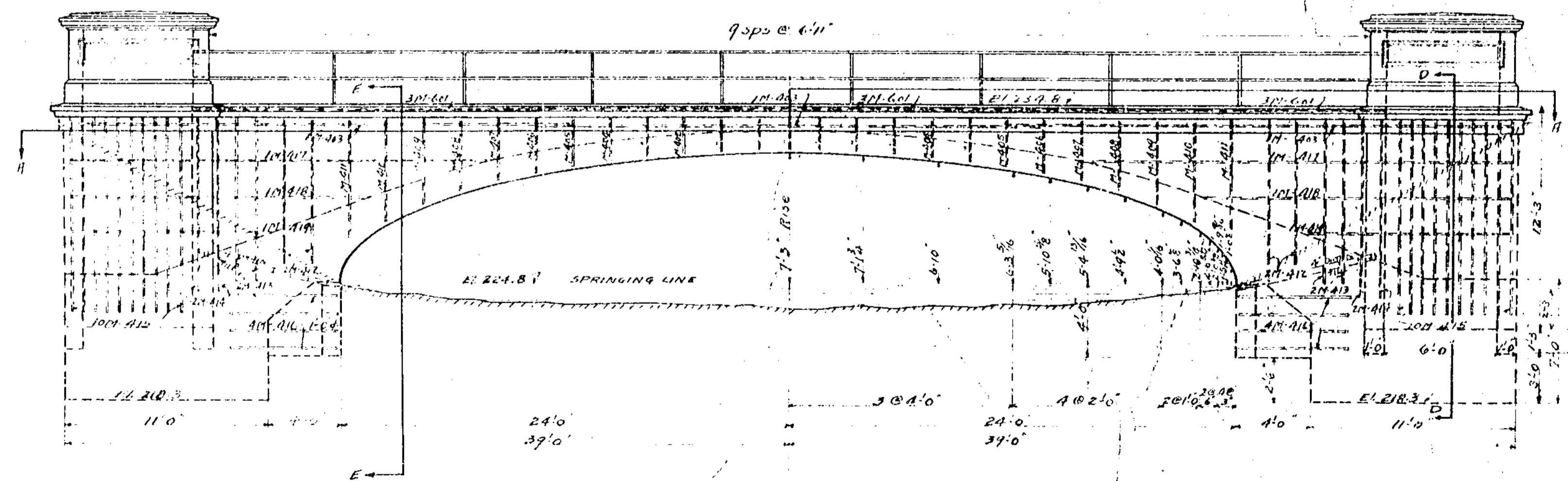
- M-402
- M-403
- M-404
- M-405
- M-406
- M-407
- M-408
- M-409
- M-410
- M-411
- M-412
- M-413
- M-414
- M-415
- M-416
- M-417
- M-418
- M-419
- M-420
- M-421



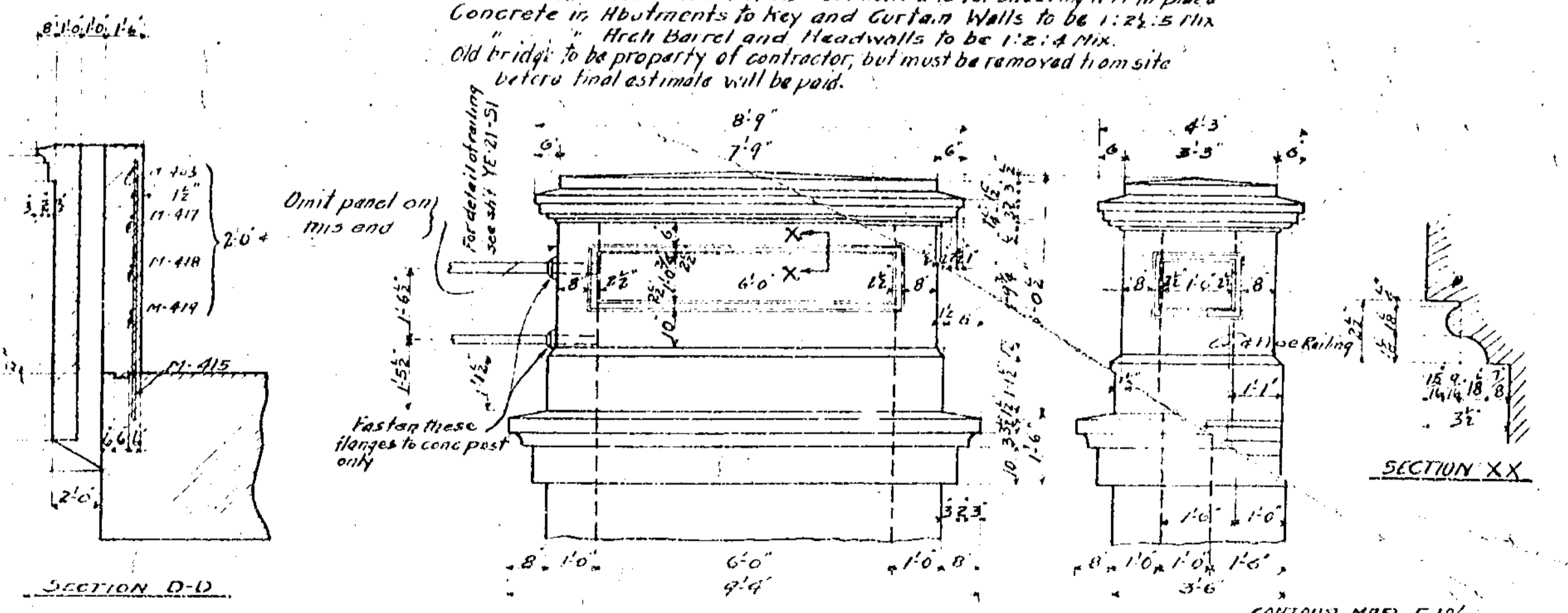
Half Plan showing Bars in Intrados

Half Plan showing Bars in Extrados

Note:
 Price bid for excavation shall include the price for Spandrel fill and/or Backfill and removal of old abutment and for shoring 1:1 in place. Concrete in Abutments to key and Curtain Walls to be 1:2:5 mix. Arch Barrel and Headwalls to be 1:2:4 mix. Old bridge to be property of contractor, but must be removed from site before final estimate will be paid.



FRONT ELEVATION



SECTION D-D

SECTION XX

TERMINAL POSTS

CONTINU MAP F.186

ICM No. 12 DMS 04634

COUNTY OF CUYAHOGA, OHIO.

REINFORCED CONCRETE HIGHWAY

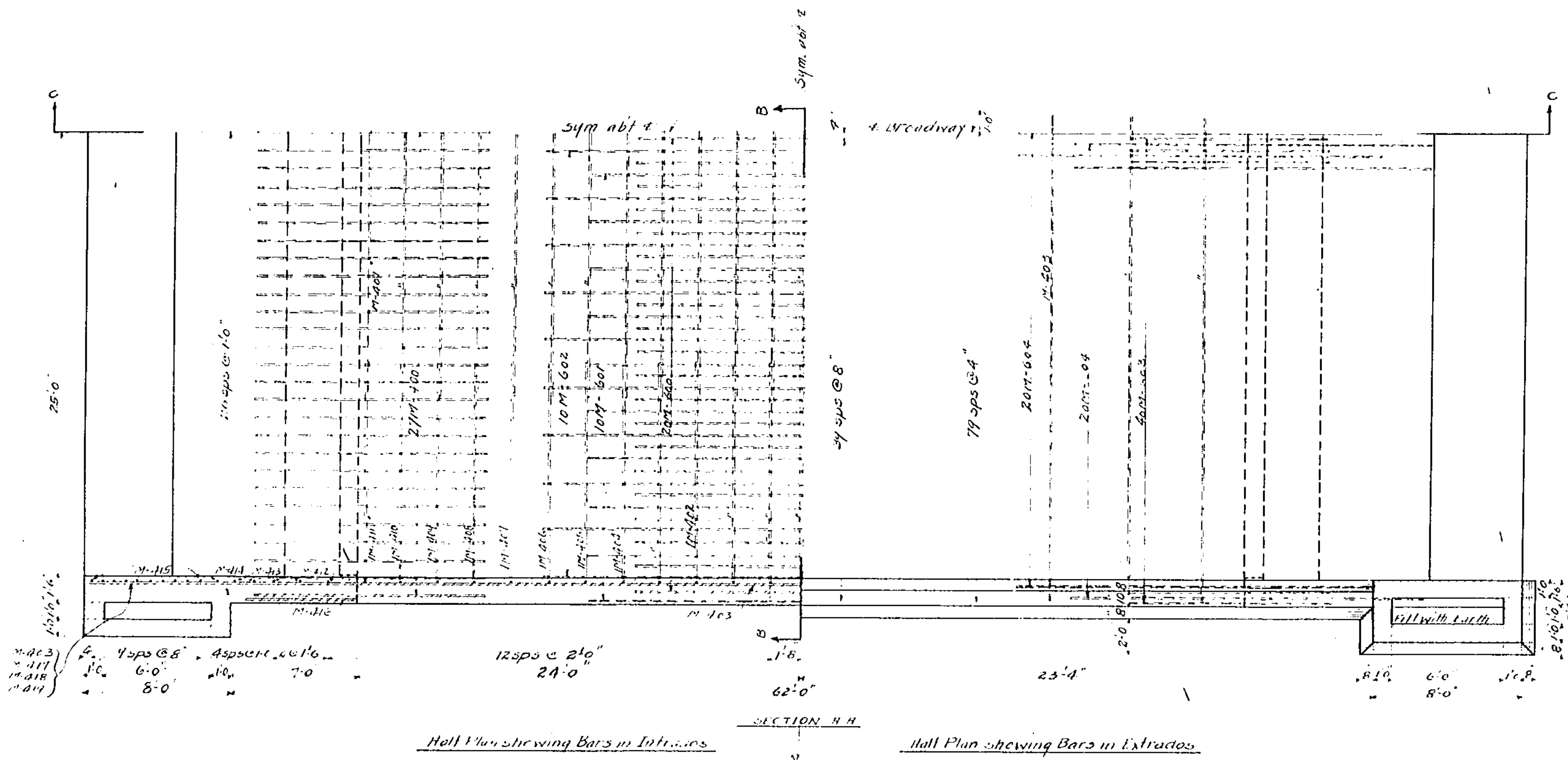
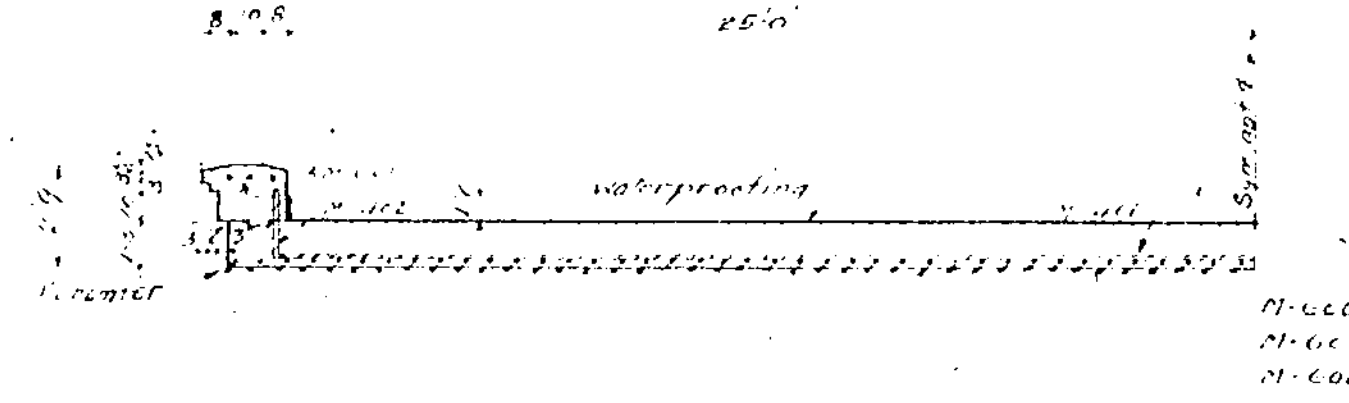
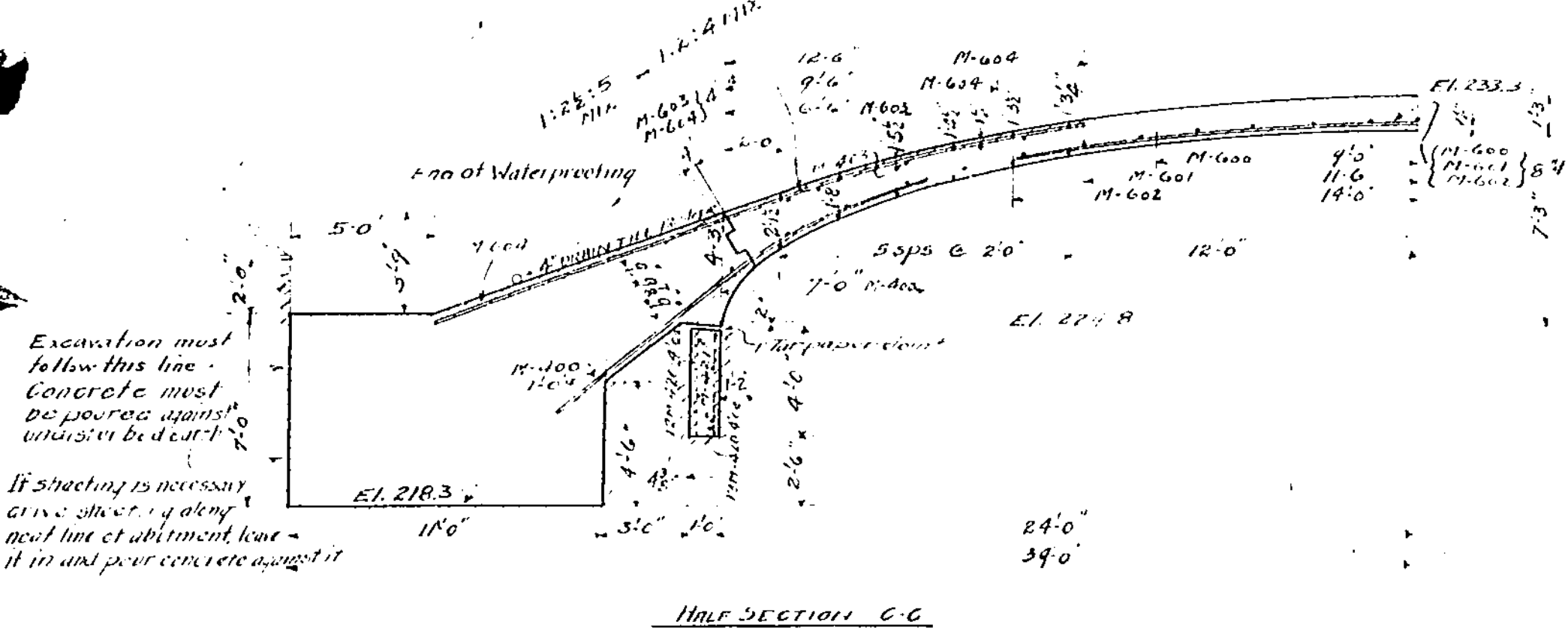
ROAD BRIDGE BY TOWNSHIP DISTRICT

W. A. STURCH COM. COUNTY ENGINEER

W. F. REICHER, DIST. ENGINEER

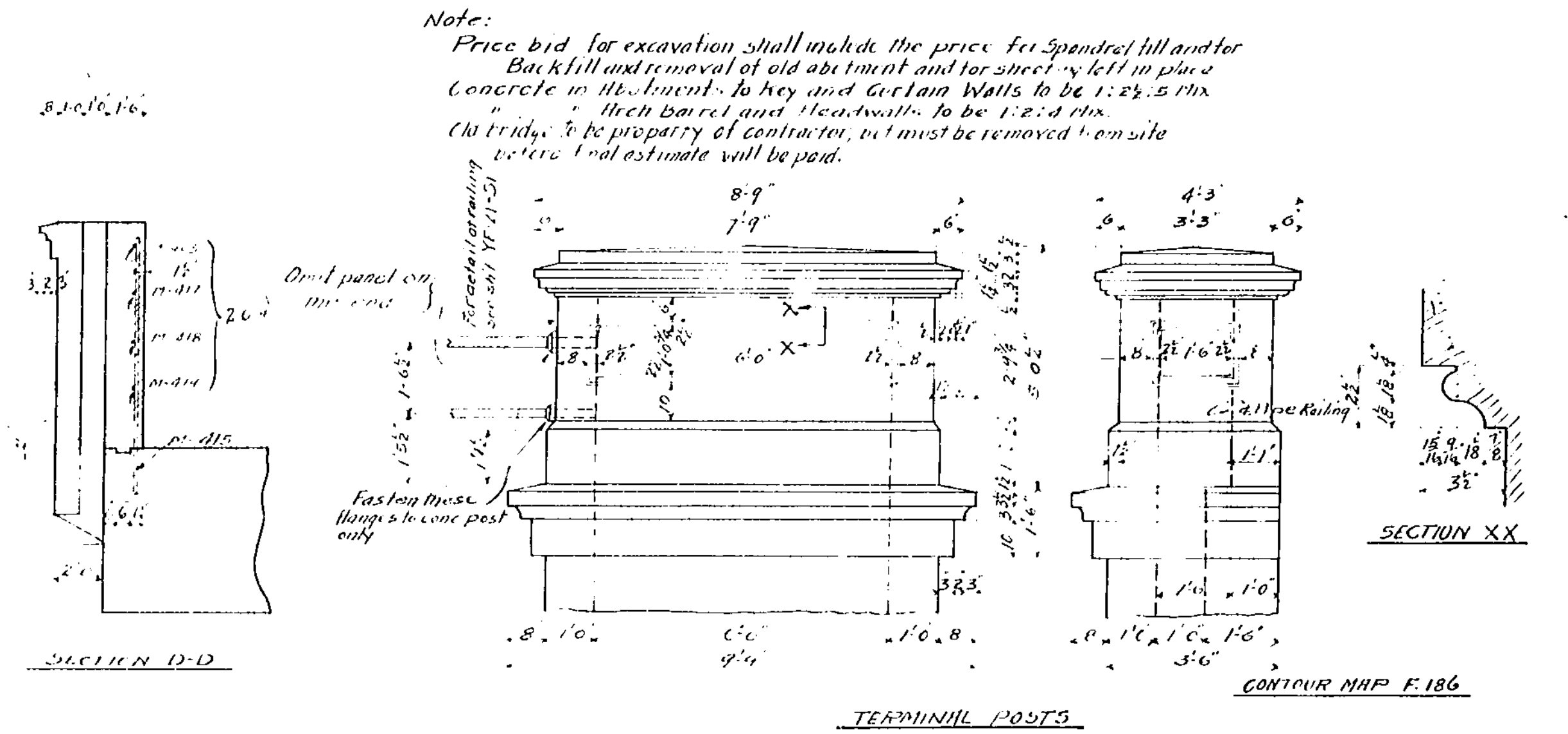
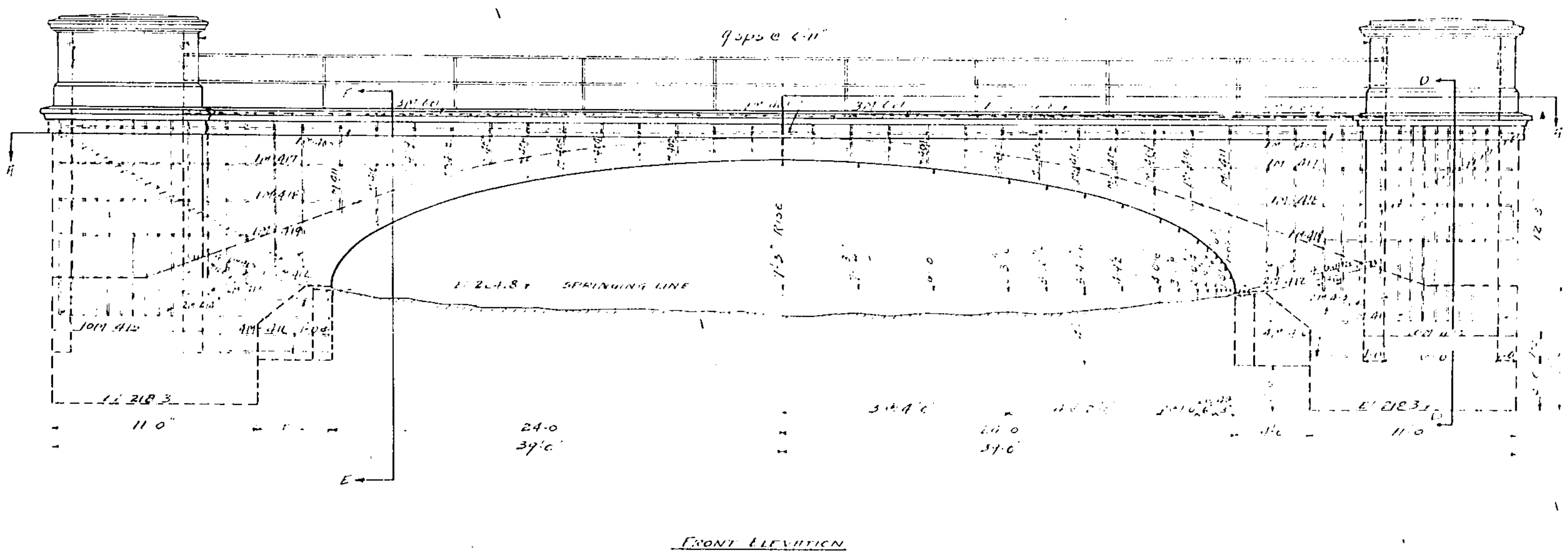
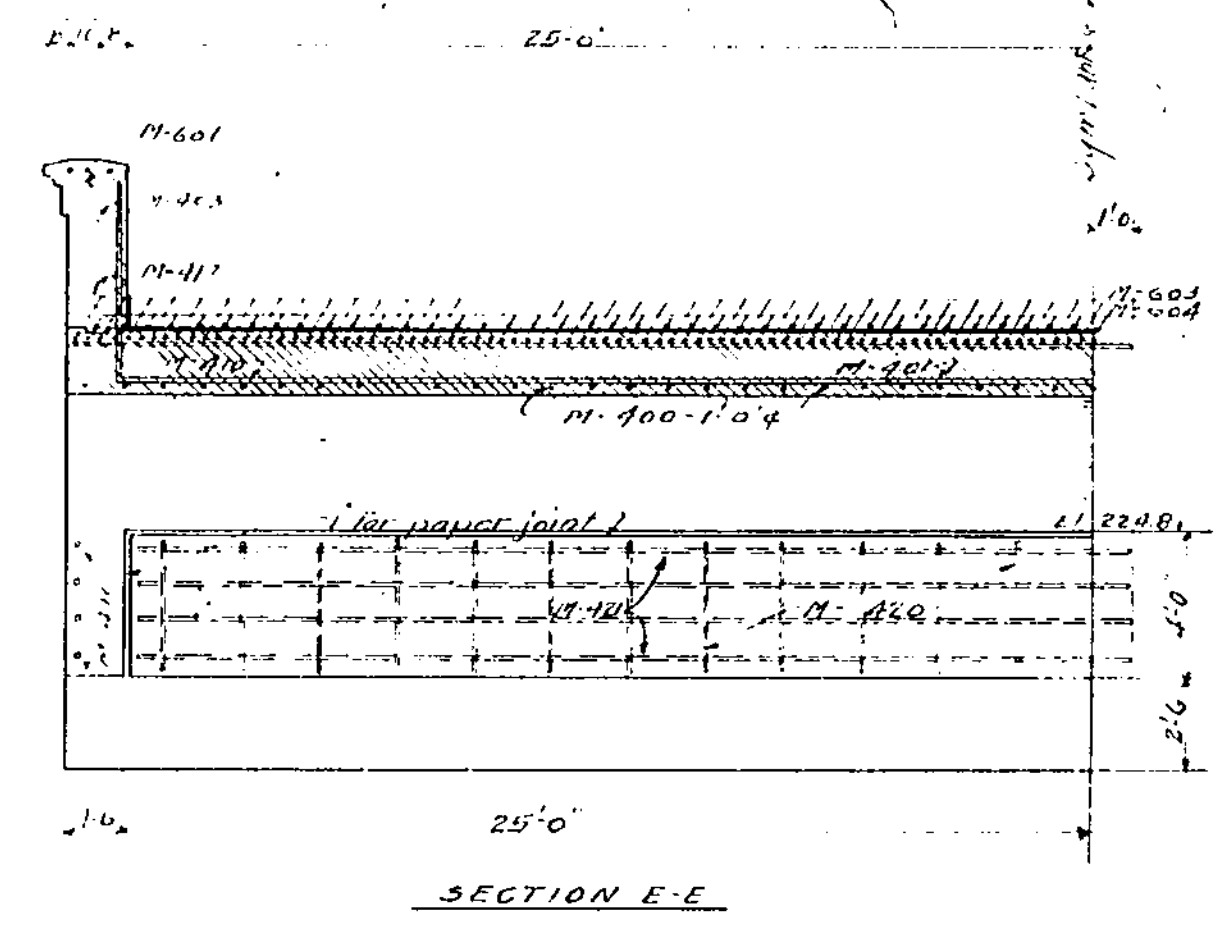
DRAWN BY: W. A. STURCH

DATE: 10/1/1914



BILL OF BARS

NO.	NO.	LENGTH	BEND	LOCATION
M-60	40	18'-0"	0	Arch Barrel
61	38	23'-0"	0	Head Walls
62	20	28'-0"	0	"
63	160	11'-6"	0	"
64	158	20'-0"	0	"
M-400	106	15'-6"	0	"
401	25	30'-0"	0	"
402	14	14'-0"	0	Head Walls
403	18	27'-6"	0	"
404	8	14'-6"	0	Arch Barrel
405	4	14'-9"	0	"
406	4	15'-0"	0	"
407	4	15'-0"	0	"
408	4	16'-0"	0	"
409	4	16'-9"	0	"
410	4	17'-9"	0	"
411	4	18'-9"	0	"
412	8	8'-0"	0	"
413	8	9'-0"	0	"
414	8	10'-0"	0	"
415	40	11'-0"	0	"
416	16	6'-0"	0	"
417	4	23'-0"	0	"
418	4	16'-6"	0	"
419	4	11'-6"	0	"
420	50	3'-8"	0	Curtain Walls
421	16	26'-0"	0	"



1011 No. 12 BRIDGE 34

COUNTY OF CUYAHOGA, CLEVELAND, OHIO.

UNION-COLD CONCRETE BRIDGE

ROAD Broadway TOWNSHIP Bedford

W. A. STINEBAUGH COUNTY SURVEYOR

A. W. STINEBAUGH, BRIDGE ENGINEER

DRAWN BY M. A. CHECKED BY DATE 7-2-17

SCALE 1" = 10' REVISED

OTHER SHEETS 1-4, 5, 6, 7, 8, 9, 10, 11, 12, 13, 14, 15, 16, 17, 18, 19, 20, 21, 22, 23, 24, 25, 26, 27, 28, 29, 30, 31, 32, 33, 34, 35, 36, 37, 38, 39, 40, 41, 42, 43, 44, 45, 46, 47, 48, 49, 50, 51, 52, 53, 54, 55, 56, 57, 58, 59, 60, 61, 62, 63, 64, 65, 66, 67, 68, 69, 70, 71, 72, 73, 74, 75, 76, 77, 78, 79, 80, 81, 82, 83, 84, 85, 86, 87, 88, 89, 90, 91, 92, 93, 94, 95, 96, 97, 98, 99, 100

