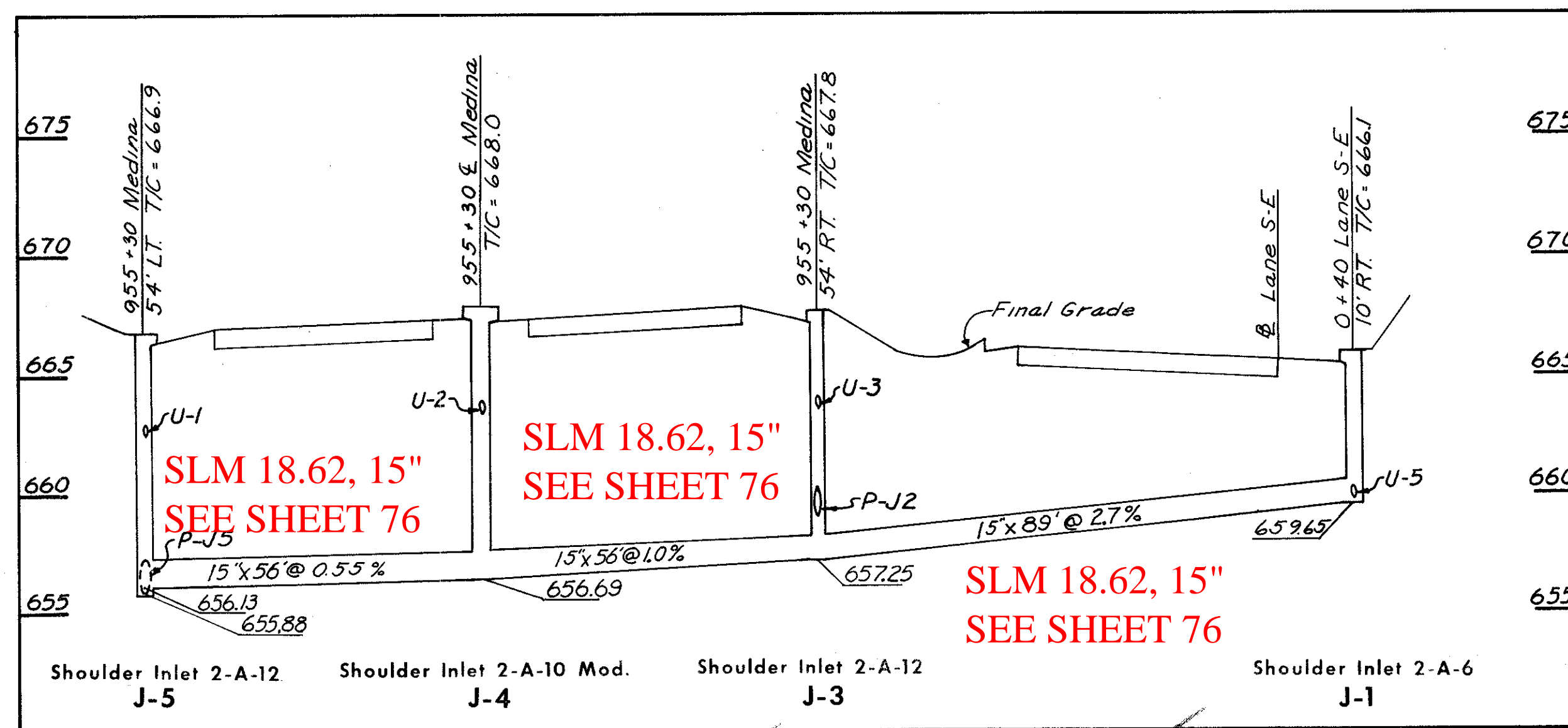


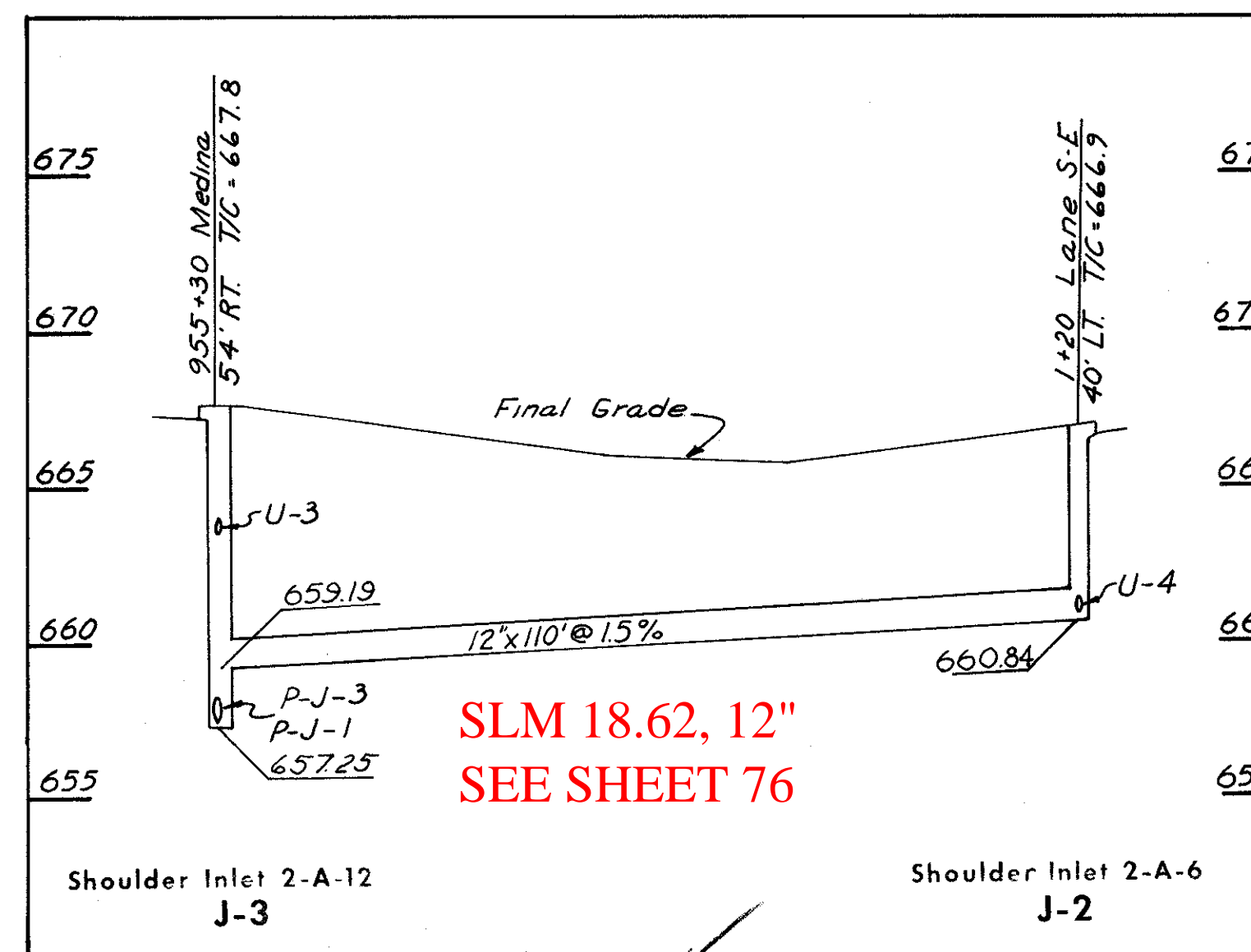
CUYAHOGA COUNTY  
CITY OF CLEVELAND  
MEDINA-CLARK INTERCHANGE  
CUY-71-18.54  
CUY-90-13.81



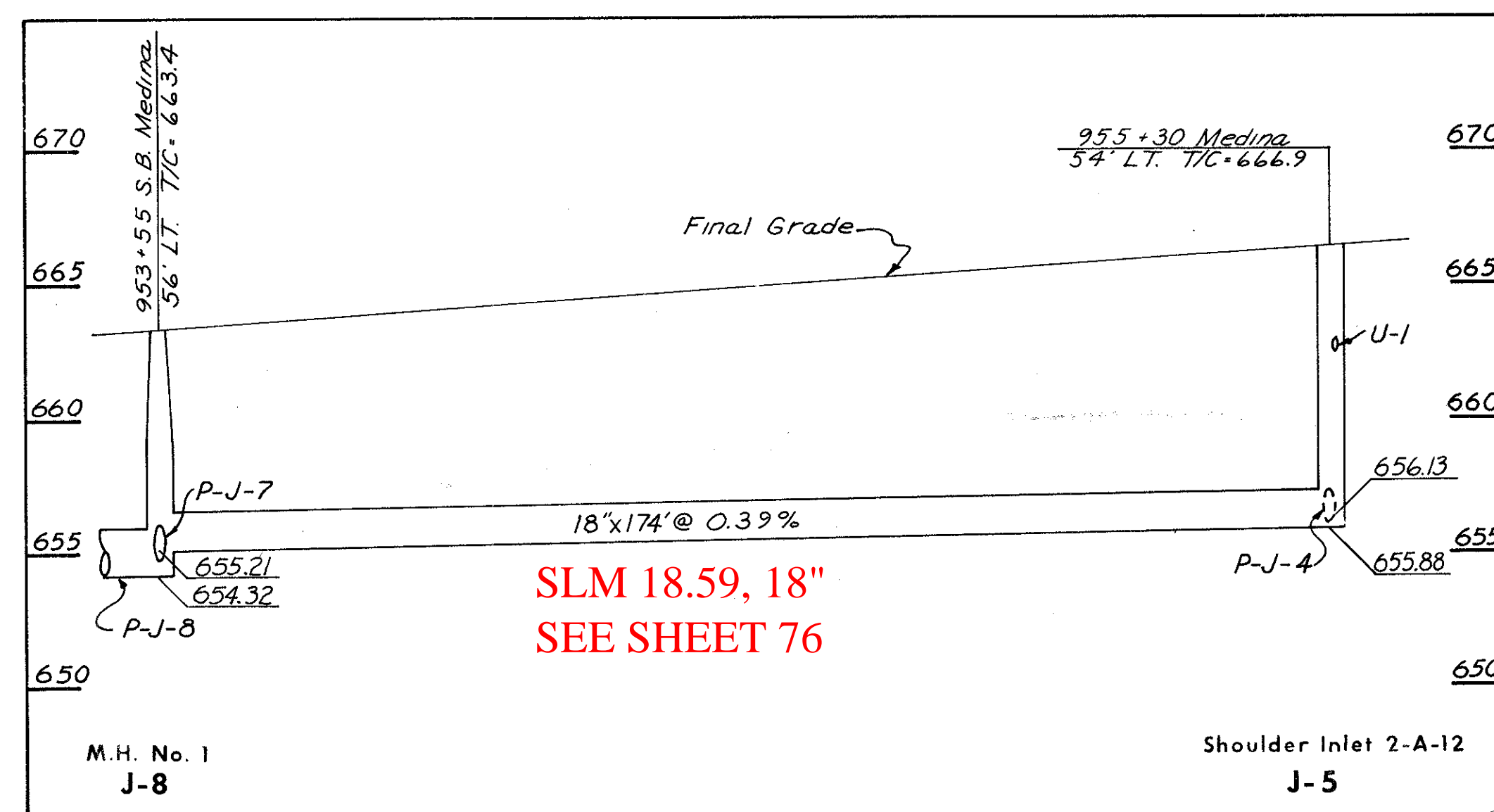
**P-J-4**  
CLASS B-1  
Sec. M-6.6(b) or  
M-6.8(b)

**P-J-3**  
CLASS B-1  
Sec. M-6.6(b) or  
M-6.8(b)

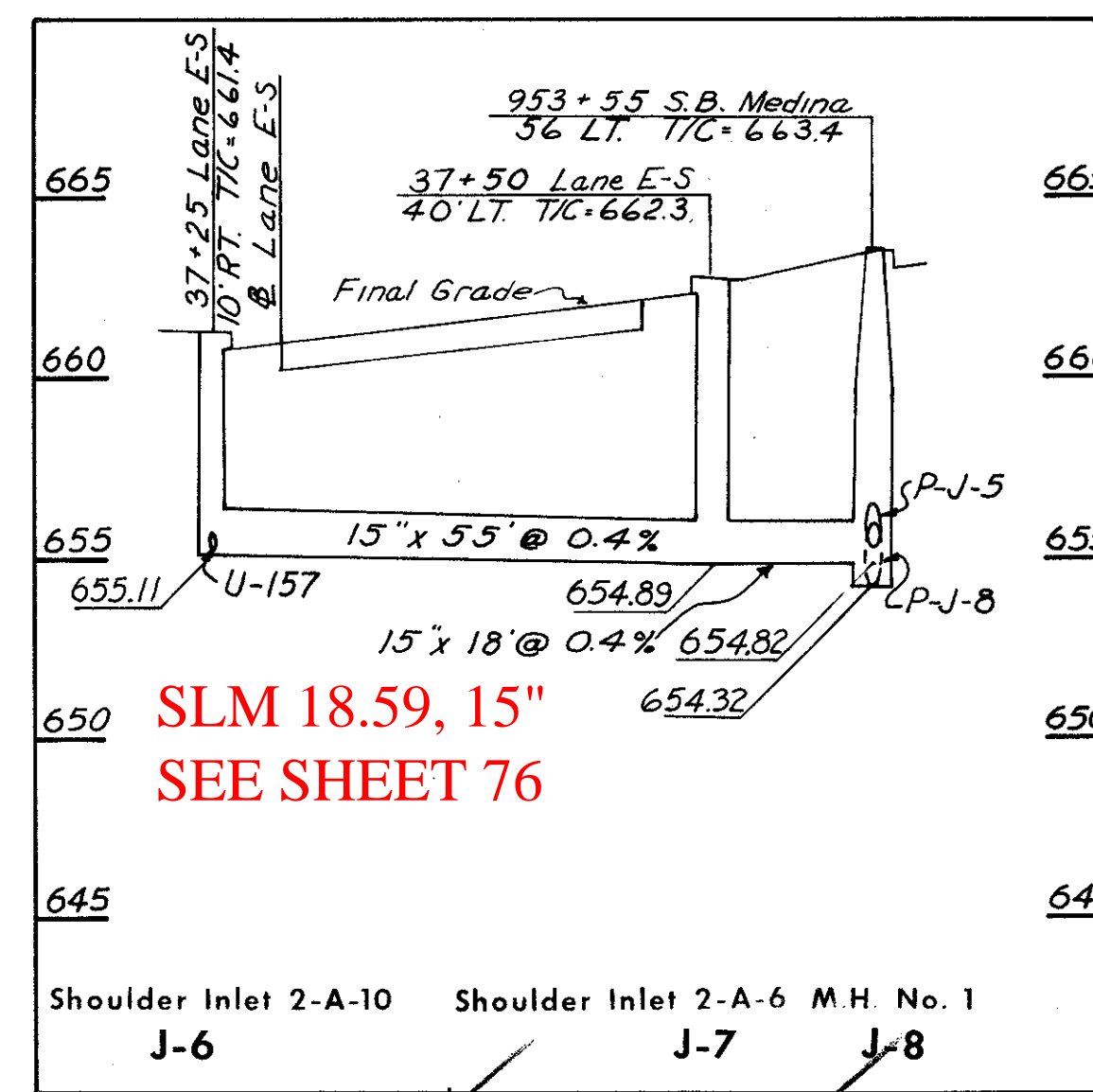
**P-J-1**  
CLASS B-1  
Sec. M-6.6(b) or  
M-6.8(b)



**P-J-2**  
CLASS E-1



**P-J-5**  
CLASS B-1  
Sec. M-6.8(b) or  
M-6.6(b)



**P-J-6**  
CLASS B-1

**P-J-7**  
CLASS E-1

ESTIMATED QUANTITIES

I-8 STRUCTURES					
CODE	LOCATION	Shoulder	Shoulder	Shoulder	M.H. No. 1
		Inlet 2-A-6	Inlet 2-A-10	Inlet 2-A-10 Mod.	
J1	0+40 Lane SE 10' Rt	1			
J2	1+20 Lane SE 40' Lt	1			
J3	955+30 Medina 54' Rt				1
J4	955+30 Medina E			1	
J5	955+30 Medina 54' Lt				1
J6	37+25 Lane E-S 10' Rt		1		
J7	37+50 Lane E-S 40' Lt	1			
J8	953+55 Medina 56' Lt				1
CUY-71-18.54 TOTALS		3	1	1	2

CODE	ROADWAY	INLET CODE		I-1 PIPE				
		FROM	TO	CLASS B-1	CLASS B-1	CLASS E-1	CLASS E-1	CLASS B-1
				15"	15" Sec. M-6.8(b) or M-6.6(b)	12"	15"	18" Sec. M-6.6(b) or Sec. M-6.8(b)
P-J-1	LANE S-E	1	3		89			
P-J-2	LANE S-E	2	3			110		
P-J-3	Medina Freeway	3	4		56			
P-J-4	Medina Freeway	4	5		56			
P-J-5	Southbound Medina	5	8					174
P-J-6	LANE E-S	6	7	55				
P-J-7	LANE E-S	7	8				18	
CUY-71-18.54 TOTALS				55	201	110	18	174