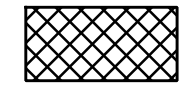



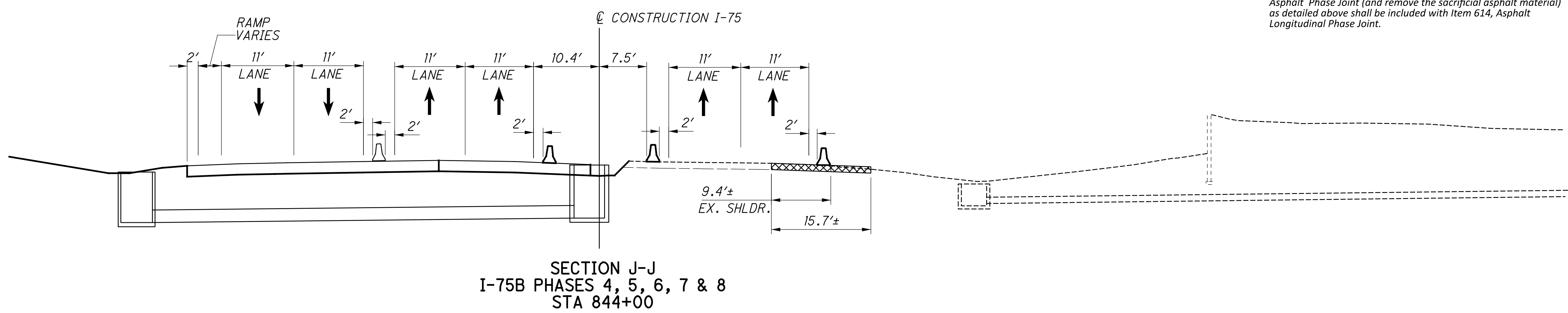
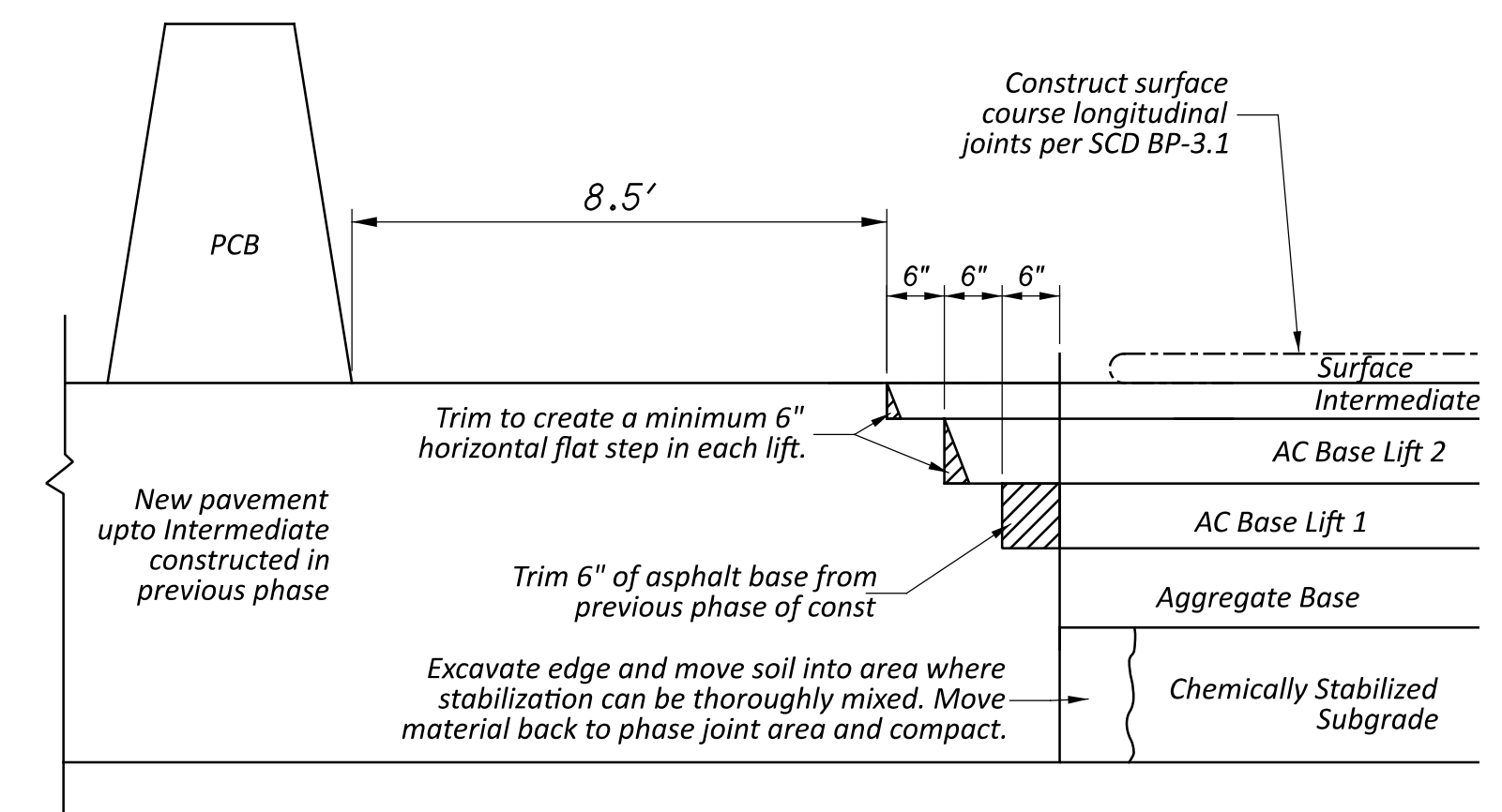
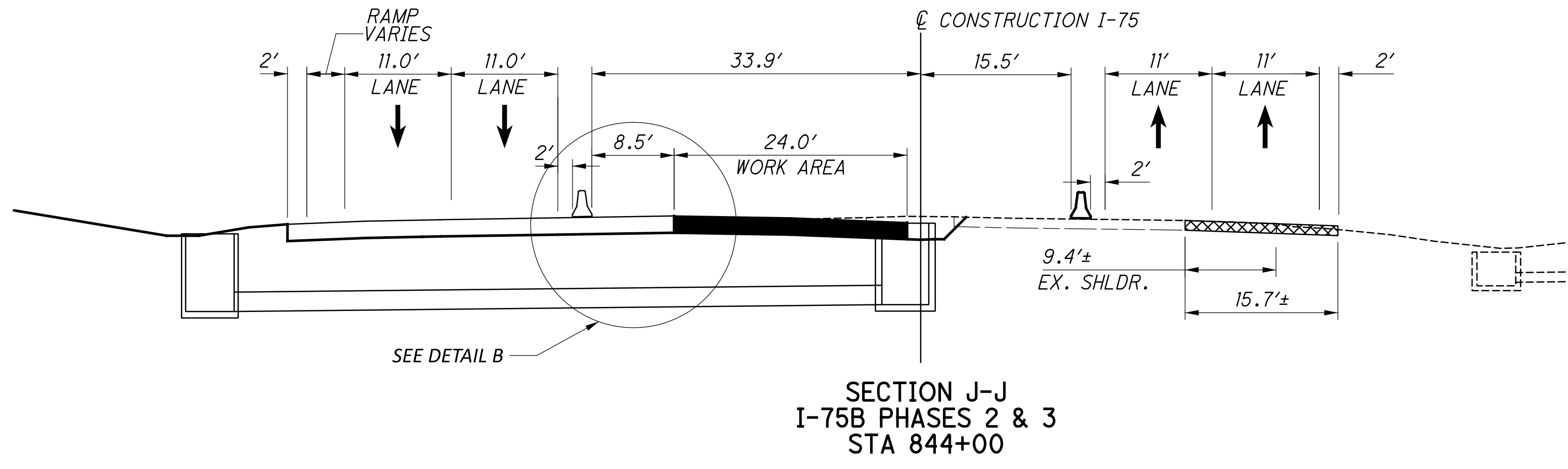
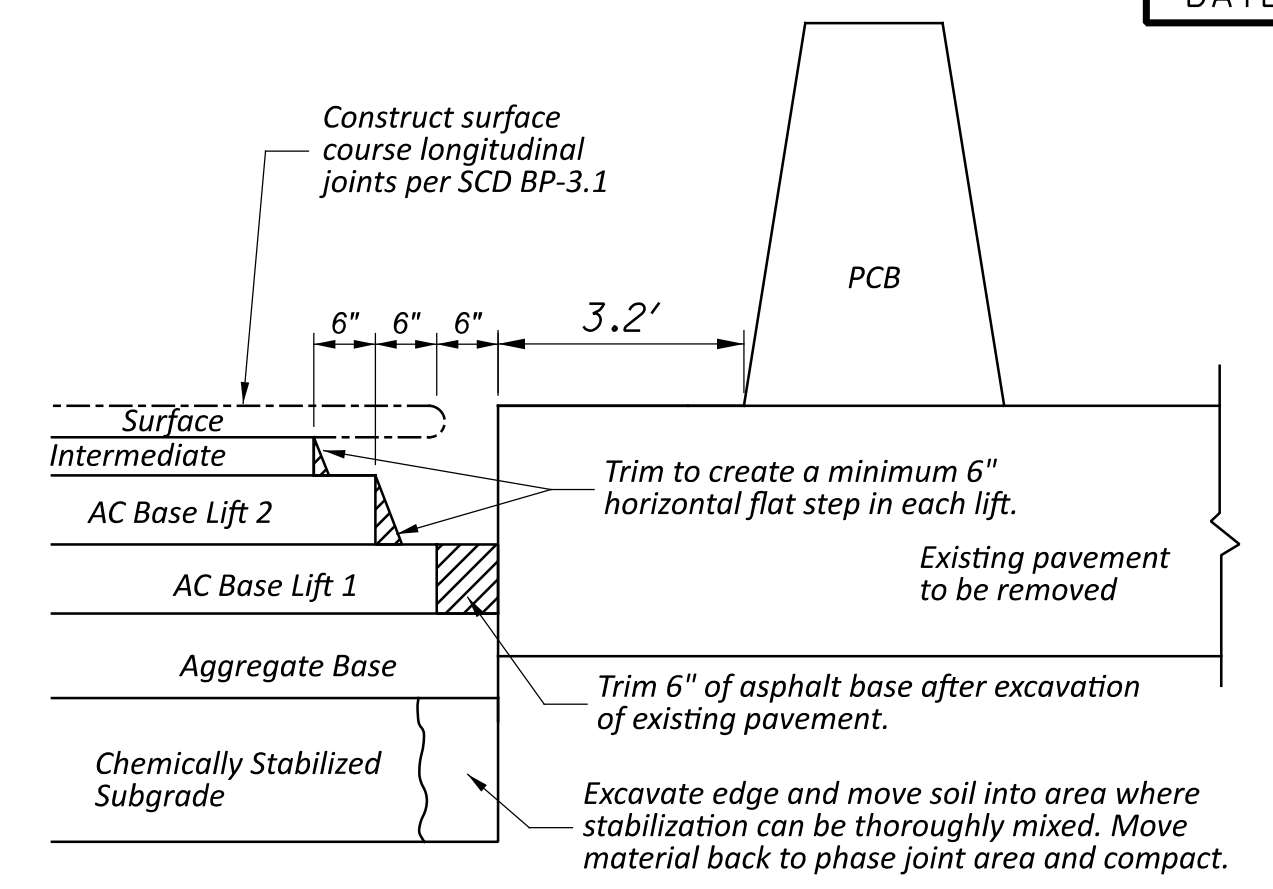
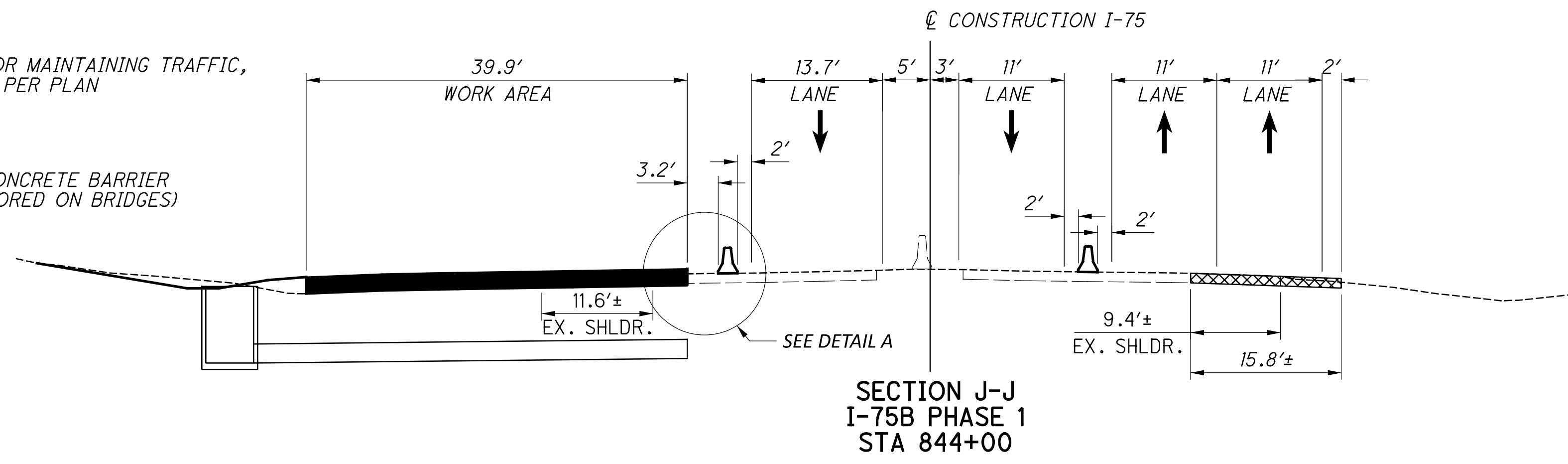


LEGEND:

-  - PAVEMENT FOR MAINTAINING TRAFFIC, CLASS A, AS PER PLAN
-  - PROPOSED
-  - PORTABLE CONCRETE BARRIER (TO BE ANCHORED ON BRIDGES)
-  - DRUMS



NOTES:

1. Trim the edge of any newly placed lift being paved against to provide a stable and clean vertical surface to pave against.
2. All materials, equipment, and labor to construct the Longitudinal Asphalt Phase Joint (and remove the sacrificial asphalt material) as detailed above shall be included with Item 614, Asphalt Longitudinal Phase Joint.

p:\ohiodot-pw.bentley.com\ohiodot-pw-02\Documents\03_Standards\PLS_SCD\Traffic_Control\Working_Folder\Sample_Plan\SP1306-4e.dgn_Sheet_12/19/2023 10:31:58 AM kfiart

MAINTENANCE OF TRAFFIC TYPICAL SECTIONS ZONE - 75B

HAN-75-14.39