

STATE OF OHIO
DEPARTMENT OF TRANSPORTATION
JEF-FERNWOOD RD.
VILLAGE OF WINTERSVILLE
CROSS CREEK TOWNSHIP
JEFFERSON COUNTY

PROJECT DESCRIPTION

UPGRADING 0.44 MILE OF FERNWOOD ROAD BY WIDENING AND RESURFACING, INCLUDING NEW STORM SEWER SYSTEM, CURB AND GUTTER, SIDEWALK, TRAFFIC CONTROL SIGNS AND PAVEMENT MARKINGS.

EARTH DISTURBED AREAS

PROJECT EARTH DISTURBED AREA: 3.1 ACRES
ESTIMATED CONTRACTOR EARTH DISTURBED AREA: 0.5 ACRES
NOTICE OF INTENT EARTH DISTURBED AREA: 3.6 ACRES

LIMITED ACCESS

THIS IMPROVEMENT IS ESPECIALLY DESIGNED FOR THROUGH TRAFFIC AND HAS BEEN DECLARED A LIMITED ACCESS HIGHWAY OR FREEWAY BY ACTION OF THE DIRECTOR IN ACCORDANCE WITH THE PROVISIONS OF SECTION 5511.02 OF THE OHIO REVISED CODE.

2019 SPECIFICATIONS

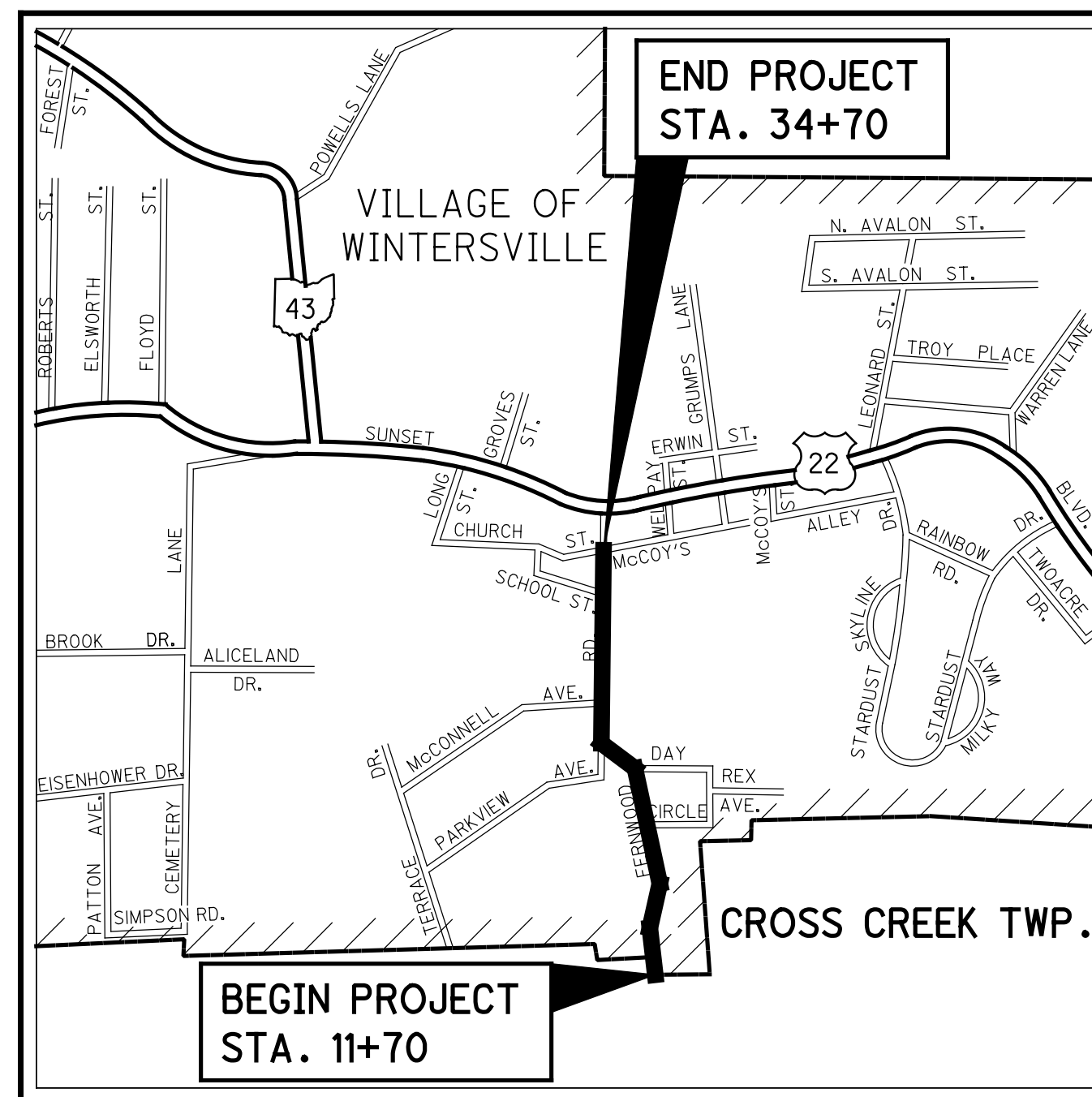
THE STANDARD SPECIFICATIONS OF THE STATE OF OHIO, DEPARTMENT OF TRANSPORTATION, INCLUDING SUPPLEMENTAL SPECIFICATIONS LISTED IN THE PLANS AND CHANGES LISTED IN THE PROPOSAL SHALL GOVERN THIS IMPROVEMENT.

I HEREBY APPROVE THESE PLANS AND DECLARE THAT THE MAKING OF THIS IMPROVEMENT WILL NOT REQUIRE THE CLOSING TO TRAFFIC OF THE HIGHWAY AND THAT PROVISIONS FOR THE MAINTENANCE AND SAFETY OF TRAFFIC WILL BE AS SET FORTH ON THE PLANS AND ESTIMATES

APPROVED _____
DATE _____ MAYOR, VILLAGE OF WINTERSVILLE

APPROVED _____
DATE _____ DISTRICT DEPUTY DIRECTOR

APPROVED _____
DATE _____ DIRECTOR, DEPARTMENT OF TRANSPORTATION



LOCATION MAP

LATITUDE: 40°22'20" LONGITUDE: 80°42'05"



PORTION TO BE IMPROVED	—————
INTERSTATE HIGHWAY	—————
FEDERAL ROUTES	—————
STATE ROUTES	—————
COUNTY & TOWNSHIP ROADS	—————
OTHER ROADS	—————

DESIGN DESIGNATION

CURRENT ADT (2016)	2940
DESIGN YEAR ADT (20)	4494
DESIGN HOURLY VOLUME (20)	449
DIRECTIONAL DISTRIBUTION	50%
TRUCKS (24 HOUR B&C)	3%
DESIGN SPEED	3R PROJECT
LEGAL SPEED	35 MPH
DESIGN FUNCTIONAL CLASSIFICATION:	
06 MINOR COLLECTOR (URBAN)	
NHS PROJECT	NO

DESIGN EXCEPTIONS

DESIGN FEATURE	APPROVAL DATES	SHEET NUMBER
HORIZONTAL: Superelevation	6-27-19	2
VERTICAL: Stopping Sight Distance	6-27-19	10, 12

ADA DESIGN WAIVER

NONE REQUIRED

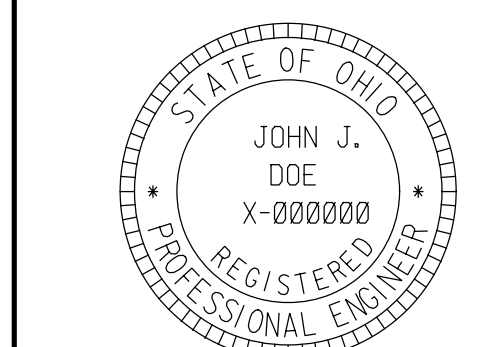
UNDERGROUND UTILITIES
Contact Two Working Days Before You Dig

OHIO811, 8-1-1, or 1-800-362-2764 (Non-members must be called directly)

INDEX OF SHEETS:

TITLE SHEET	1
SCHEMATIC PLAN	2
TYPICAL SECTIONS	3-4
GENERAL NOTES	5
MAINTENANCE OF TRAFFIC	6-7
GENERAL SUMMARY	8
PROJECT SITE PLAN	9
PLAN AND PROFILE	10
CROSS SECTIONS	11-17
SIDE APPROACHES	18-25
SUPERELEVATION TABLE	26-30
DRIVE DETAILS	31
DRAINAGE DETAILS	32-37
TRAFFIC CONTROL	38-39
RIGHT OF WAY	40-50
SOIL PROFILES	

ENGINEERS SEAL:



SIGNED: John J. Doe
DATE: 11/11/19

PLAN PREPARED BY:
JOHN J. DOE CONSULTING, INC.
9999 ENGLISH DRIVE
COMPUTERLAND, OHIO 00000

STANDARD CONSTRUCTION DRAWINGS						SUPPLEMENTAL SPECIFICATIONS	SPECIAL PROVISIONS
BP-1.1	7/28/00	MGS-1.1	1/19/18	MT-105.10	7/19/13	800-2020 4/17/20	REINFORCED EARTH
BP-2.1	7/17/15	MGS-2.1	1/19/18			832 10/19/18	5/27/17
BP-2.2	7/18/08	MGS-4.2	7/19/13	TC-41.20	10/18/13		WATERWAY PERMIT 1/23/18
BP-3.1	1/17/20	MGS-5.3	7/15/16	TC-41.40	10/18/13		
BP-4.1	7/19/13			TC-42.20	10/18/13		
BP-5.1	1/18/19	HW-2.1	1/15/16	TC-52.10	10/18/13		
BP-7.1	7/20/18	HW-2.2	1/15/16	TC-52.20	7/20/18		
				TC-71.10	1/19/18		
CB-2.1	7/20/18	LA-1.1	10/15/10				
CB-2.2	7/20/18	LA-1.2	1/16/09				
CB-2.3	1/15/16						
		MH-1.1	1/15/16				
DM-1.1	7/21/17	MH-1.2	1/15/16				
DM-4.4	1/15/16	MH-1.3	1/18/13				

FEDERAL PROJECT NO. E025 (762)
PID NO. 15549
CONSTRUCTION PROJECT NO.
RAILROAD INVOLVEMENT NONE
JEF-FERNWOOD RD.
1/50

STATE OF OHIO
DEPARTMENT OF TRANSPORTATION

DAR-121-(21.73)(22.83)

**RICHLAND TOWNSHIP
DARKE COUNTY**

PROJECT DESCRIPTION

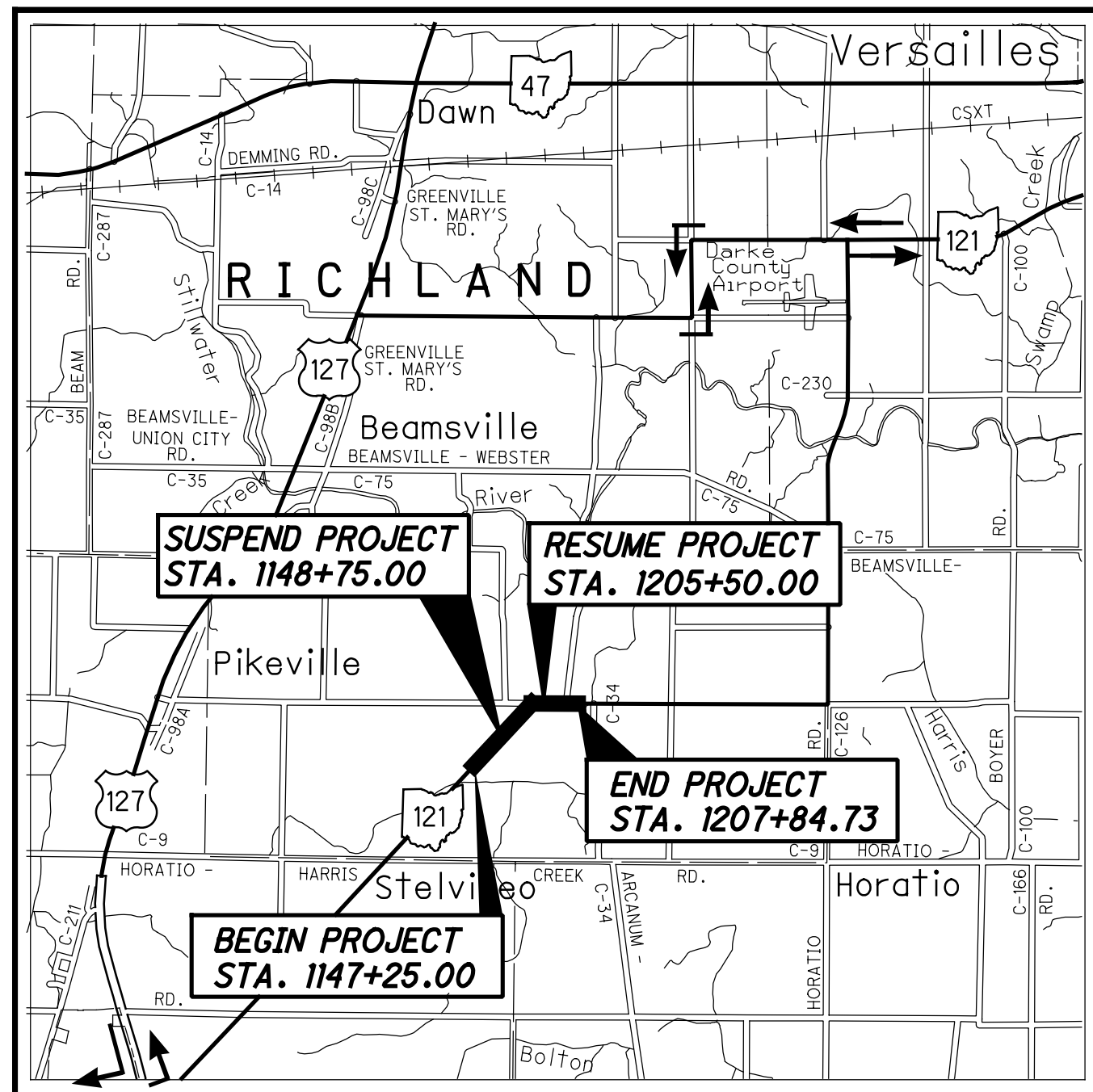
IMPROVEMENT OF 0.07 MILE OF STATE ROUTE 121 BY REPLACEMENT OF TWO STRUCTURES OVER A BRANCH OF THE STILLWATER RIVER, INCLUDING APPROACH RECONSTRUCTION.

EARTH DISTURBED AREAS

PROJECT EARTH DISTURBED AREA: 5.4 ACRES
ESTIMATED CONTRACTOR EARTH DISTURBED AREA: 2.1 ACRES
NOTICE OF INTENT EARTH DISTURBED AREA: 7.5 ACRES

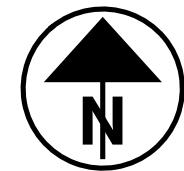
2016 SPECIFICATIONS

THE STANDARD SPECIFICATIONS OF THE STATE OF OHIO, DEPARTMENT OF TRANSPORTATION, INCLUDING SUPPLEMENTAL SPECIFICATIONS LISTED IN THE PLANS AND CHANGES LISTED IN THE PROPOSAL SHALL GOVERN THIS IMPROVEMENT.



LOCATION MAP

LATITUDE: 40°09'30" LONGITUDE: 84°34'05"



PORTION TO BE IMPROVED	—————
INTERSTATE HIGHWAY	—————
FEDERAL ROUTES	—————
STATE ROUTES	—————
COUNTY & TOWNSHIP ROADS	—————
OTHER ROADS	—————

DESIGN DESIGNATION

CURRENT ADT (2013)	1460
DESIGN YEAR ADT (2033)	2040
DESIGN HOURLY VOLUME (2033)	204
DIRECTIONAL DISTRIBUTION	55%
TRUCKS (24 HOUR B&C)	2%
DESIGN SPEED	55MPH
LEGAL SPEED	55MPH
DESIGN FUNCTIONAL CLASSIFICATION:	
05 MAJOR COLLECTOR (RURAL)	
NHS PROJECT	NO

DESIGN EXCEPTIONS: NONE REQUIRED

ADA DESIGN WAIVERS: NONE REQUIRED

UNDERGROUND UTILITIES
Contact Two Working Days Before You Dig

OHIO811.org
Before You Dig

OHIO811, 8-1-1, or 1-800-362-2764
(Non-members must be called directly)

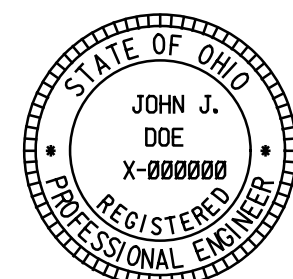
PLAN PREPARED BY:
JOHN DOE CONSULTING, INC.
9999 ENGLISH DRIVE
COMPUTERLAND, OHIO 00000

INDEX OF SHEETS:

TITLE SHEET	1
SCHEMATIC PLAN	2
TYPICAL SECTIONS	3-4
GENERAL NOTES	5
MAINTENANCE OF TRAFFIC	6
GENERAL SUMMARY	8
PROJECT SITE PLAN	9
PLAN AND PROFILE	10-17
CROSS SECTIONS	17-23
CHANNEL CROSS SECTIONS	23-25
STRUCTURES OVER 20 FOOT SPAN	25-30
RIGHT OF WAY	31-36
SOIL PROFILES	

ENGINEERS SEAL:

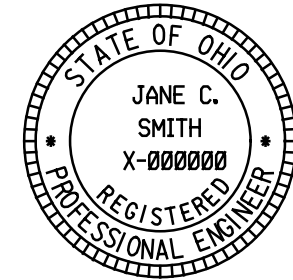
FOR STRUCTURES OVER 20' SPAN



SIGNED: John J. Doe
DATE: 11-11-18

ENGINEERS SEAL:

FOR ENTIRE PLAN EXCEPT STRUCTURES OVER 20' SPAN



SIGNED: Jane C. Smith
DATE: 11-11-18

STANDARD CONSTRUCTION DRAWINGS				SUPPLEMENTAL SPECIFICATIONS	SPECIAL PROVISIONS
BP-3.1	7/18/14	WQ-1.1	1/18/13	800-2016 10/19/18 832 10/19/18	WATERWAY PERMIT 1/23/16
BP-4.1	7/19/13	WQ-1.2	1/15/16		
DM-1.1	7/21/18	AS-1-81	1/18/13		
DM-4.1	7/20/18	EXJ-4-87	1/19/18		
		PSBD-2-07	7/20/18		
MGS-1.1	1/19/18	TST-1-99	7/20/18		
MGS-2.1	1/19/18				
MGS-4.2	7/19/13				
MGS-5.3	7/15/16				
LA-1.1	10/15/10				
LA-1.2	1/16/09				

I HEREBY APPROVE THESE PLANS AND DECLARE THAT THE MAKING OF THIS IMPROVEMENT WILL REQUIRE THE CLOSING TO TRAFFIC OF THE HIGHWAY AND THAT DE-TOURS WILL BE PROVIDED, AS INDICATED ON SHEET 1.

APPROVED _____
DATE _____ DISTRICT DEPUTY DIRECTOR

APPROVED _____
DATE _____ DIRECTOR, DEPARTMENT OF TRANSPORTATION

FEDERAL PROJECT NO.
NON-FEDERAL

CONSTRUCTION PROJECT NO.
14653

RAILROAD INVOLVEMENT
NONE

DAR-121-(21.73)(22.83)

STATE OF OHIO

DEPARTMENT OF TRANSPORTATION

TUS-93-8.02

RECONSTRUCTION OF EXISTING SEPARATED CROSSING WITH THE OHIO CENTRAL RAILROAD

WAYNE TOWNSHIP TUSCARAWAS COUNTY

PROJECT DESCRIPTION

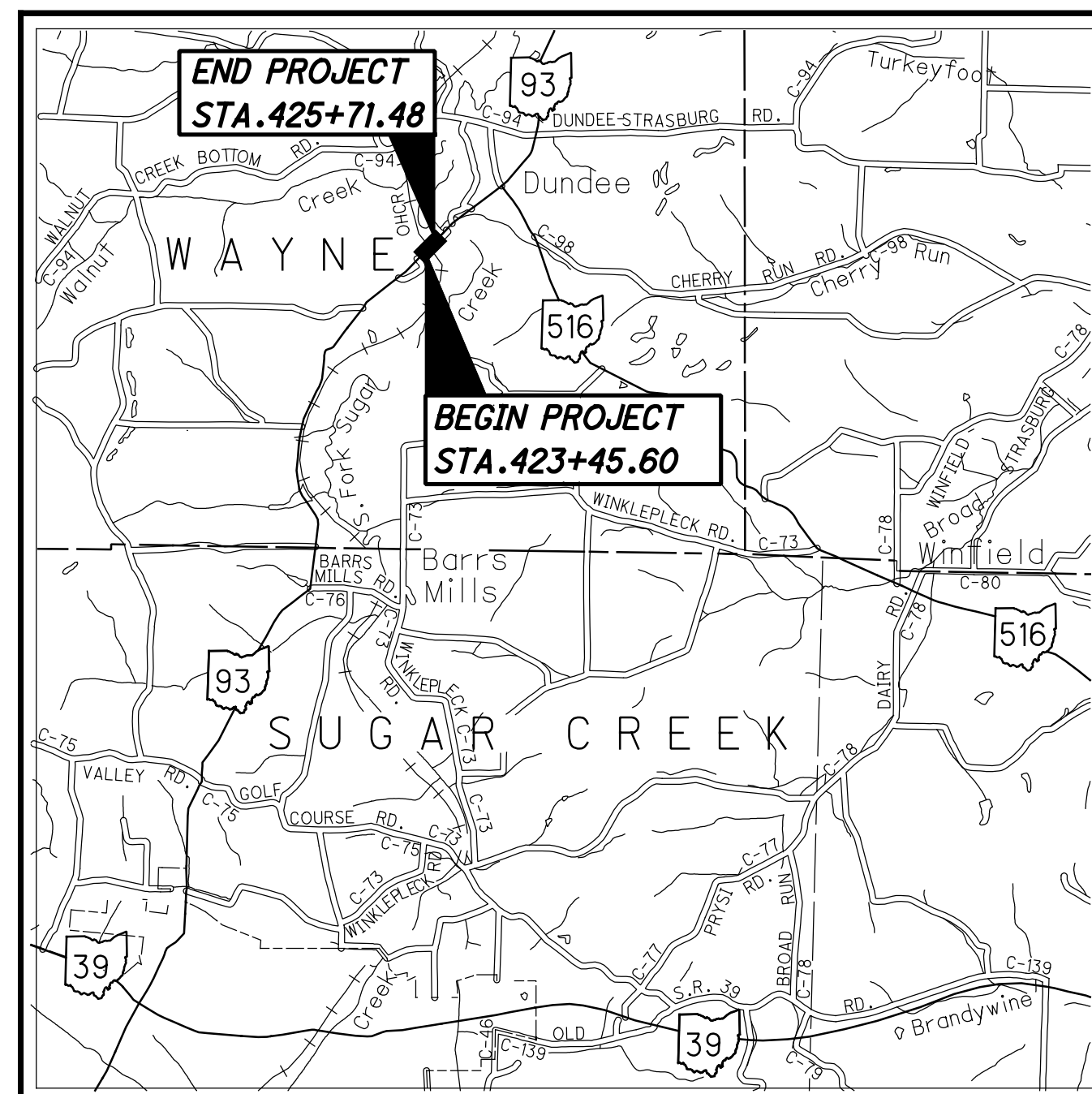
REHABILITATION OF THE EXISTING STRUCTURE OVER THE OHIO CENTRAL RAILROAD BY REPLACEMENT OF THE BRIDGE DECK AND APPROACH SLABS.

EARTH DISTURBED AREAS

PROJECT EARTH DISTURBED AREA: 1.5 ACRES
ESTIMATED CONTRACTOR EARTH DISTURBED AREA: 0.7 ACRES
NOTICE OF INTENT EARTH DISTURBED AREA: 2.2 ACRES

2019 SPECIFICATIONS

THE STANDARD SPECIFICATIONS OF THE STATE OF OHIO, DEPARTMENT OF TRANSPORTATION, INCLUDING SUPPLEMENTAL SPECIFICATIONS LISTED IN THE PLANS AND CHANGES LISTED IN THE PROPOSAL SHALL GOVERN THIS IMPROVEMENT.



LOCATION MAP

LATITUDE: 40°34'20" LONGITUDE: 81°37'00"



Legend for road types: PORTION TO BE IMPROVED, INTERSTATE HIGHWAY, FEDERAL ROUTES, STATE ROUTES, COUNTY & TOWNSHIP ROADS, OTHER ROADS.

DESIGN DESIGNATION

Table with design parameters: CURRENT ADT (2018) 1270, DESIGN YEAR ADT (2038) 2240, DESIGN HOURLY VOLUME (2038) 224, DIRECTIONAL DISTRIBUTION 60%, TRUCKS (24 HOUR B&C) 5%, DESIGN SPEED 55 MPH, LEGAL SPEED 55 MPH, DESIGN FUNCTIONAL CLASSIFICATION: 06 MINOR COLLECTOR (RURAL), NHS PROJECT NO.

DESIGN EXCEPTIONS

NONE REQUIRED

ADA DESIGN WAIVERS

NONE REQUIRED

UNDERGROUND UTILITIES

Contact Two Working Days Before You Dig



OHIO811, 8-1-1, or 1-800-362-2764 (Non-members must be called directly)

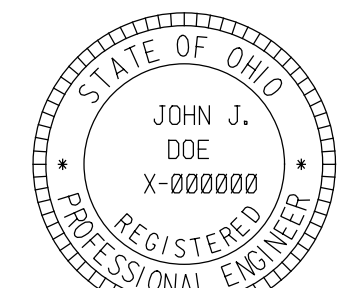
PLAN PREPARED BY: JOHN DOE ENGINEERING, INC. 9999 ENGLISH DRIVE COMPUTERLAND, OHIO 00000

INDEX OF SHEETS:

Table listing sheet titles and numbers: TITLE SHEET (1), SCHEMATIC PLAN (2), TYPICAL SECTIONS (3), GENERAL NOTES (4), MAINTENANCE OF TRAFFIC (5-7), GENERAL SUMMARY (8), PROJECT SITE PLAN (9), PLAN AND PROFILE (10-11), CROSS SECTIONS (12-13), TRAFFIC CONTROL (14), STRUCTURES OVER 20 FOOT SPAN (15-21), RIGHT OF WAY (22-28), SOIL PROFILES.

ENGINEERS SEAL:

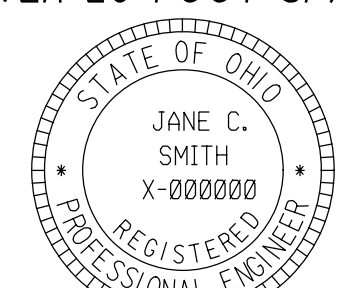
FOR STRUCTURES OVER 20 FOOT SPAN



SIGNED: John J. Doe DATE: 6/11/20

ENGINEERS SEAL:

FOR ENTIRE PLAN EXCEPT STRUCTURES OVER 20 FOOT SPAN



SIGNED: Jane C. Smith DATE: 6/11/20

STANDARD CONSTRUCTION DRAWINGS

Table with columns for drawing codes and dates: BP-3.1 (7/18/14), BP-4.1 (7/19/13), BP-5.1 (1/18/19), DM-1.1 (1/18/13), DM-4.4 (7/20/12), MGS-1.1 (1/19/18), MGS-2.1 (1/19/18), MGS-3.1 (1/19/18), MGS-4.2 (7/19/13), MGS-5.3 (7/15/16), CPA-1-08 (7/18/08), CS-1-08 (7/18/08), MT-96.11 (7/18/14), MT-96.20 (7/15/16), MT-96.26 (7/19/13), RM-4.2 (4/18/14).

SUPPLEMENTAL SPECIFICATIONS

800-2020 4/17/20, 832 10/19/18

SPECIAL PROVISIONS

WATERWAY PERMIT 1/23/18

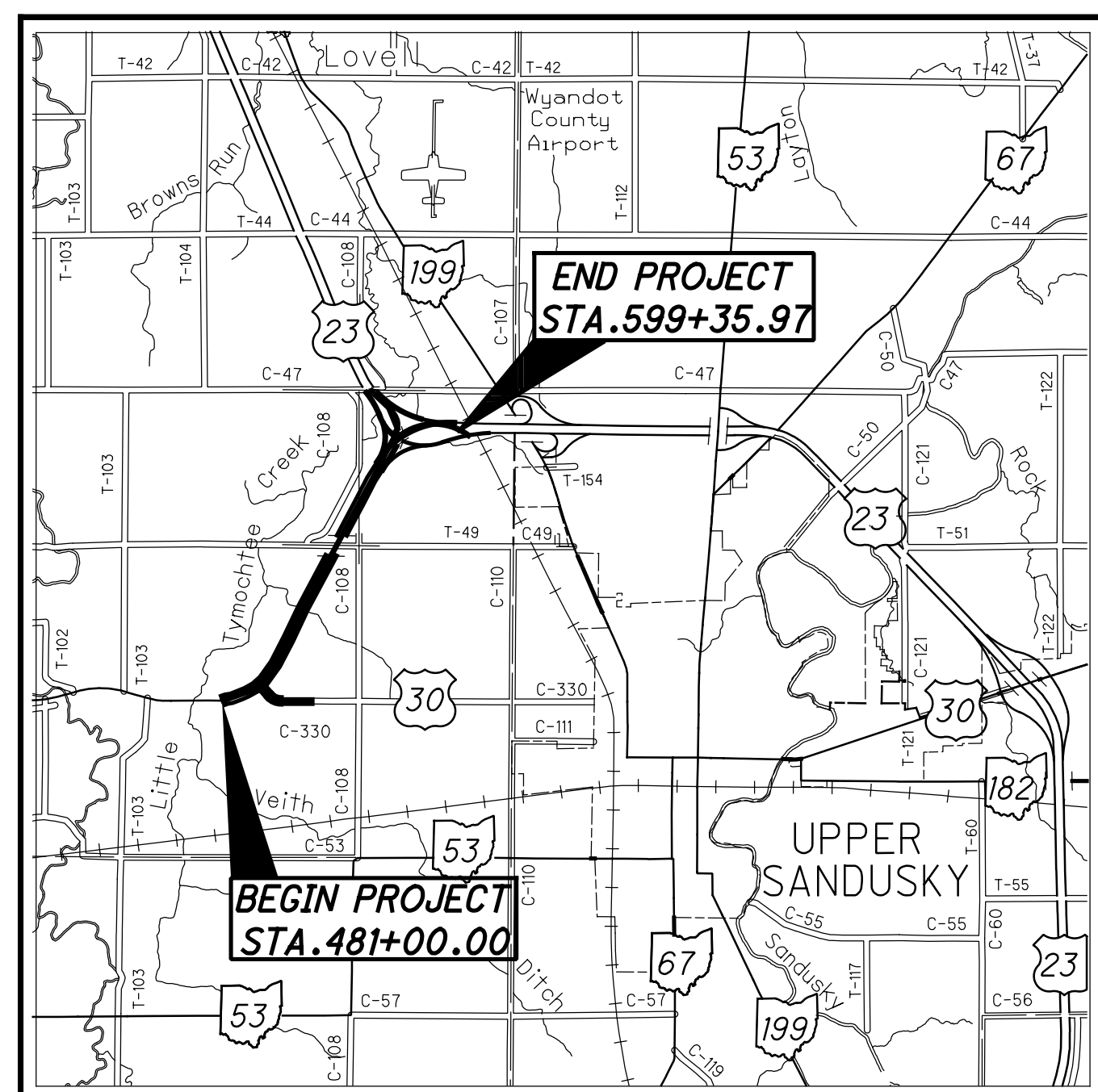
I HEREBY APPROVE THESE PLANS AND DECLARE THAT THE MAKING OF THIS IMPROVEMENT WILL NOT REQUIRE THE CLOSING TO TRAFFIC OF THE HIGHWAY AND THAT PROVISIONS FOR THE MAINTENANCE AND SAFETY OF TRAFFIC WILL BE AS SET FORTH ON THE PLANS AND ESTIMATES.

APPROVED DATE DISTRICT DEPUTY DIRECTOR

APPROVED DATE DIRECTOR, DEPARTMENT OF TRANSPORTATION

STATE OF OHIO
DEPARTMENT OF TRANSPORTATION

WYA-30-9.11
SALEM TOWNSHIP
WYANDOT COUNTY



LOCATION MAP

LATITUDE: 40°50'50" LONGITUDE: 83°18'35"



PORTION TO BE IMPROVED	—————
INTERSTATE HIGHWAY	—————
FEDERAL ROUTES	—————
STATE ROUTES	—————
COUNTY & TOWNSHIP ROADS	—————
OTHER ROADS	—————

DESIGN DESIGNATION

CURRENT ADT (2019)	3510
DESIGN YEAR ADT (2039)	4880
DESIGN HOURLY VOLUME (2039)	488
DIRECTIONAL DISTRIBUTION	55%
TRUCKS (24 HOUR B&C)	20%
DESIGN SPEED	70 MPH
LEGAL SPEED	55 MPH
DESIGN FUNCTIONAL CLASSIFICATION:	06 FREEWAY (RURAL)
T _d	20%
NHS PROJECT	NO

DESIGN EXCEPTIONS

NONE REQUIRED

UNDERGROUND UTILITIES
Contact Two Working Days Before You Dig

OHIO811.org
Before You Dig

OHIO811, 8-1-1, or 1-800-362-2764
(Non-members must be called directly)

PLAN PREPARED BY:
JOHN J. DOE & ASSOC., INC.
CONSULTING ENGINEERS
9999 ENGLISH DRIVE
COMPUTERLAND, OHIO 00000

ENGINEERS SEAL:
FOR STRUCTURES OVER 20 FOOT

SIGNED: *John J. Doe*
DATE: 11/11/14

ENGINEERS SEAL:
FOR ENTIRE PLAN EXCEPT STRUCTURES OVER 20 FOOT

SIGNED: *Jane C. Smith*
DATE: 11/11/14

TITLE SHEET	INDEX OF SHEETS:	
SCHMATIC PLAN	1	SUPERELEVATION TABLES
TYPICAL SECTIONS	2-3	INTERSECTION DETAILS
GENERAL NOTES	21-23,23A	GRADING DETAILS
MAINTENANCE OF TRAFFIC	24-29	CHANNEL CROSS SECTIONS
GENERAL SUMMARY	50-52	TERMINAL DETAILS
MISCELLANEOUS CALCULATIONS	72,72A-C	IMPACT ATTENUATOR DETAILS
PROJECT SITE PLAN	73	SETTLEMENT PLATFORM DETAILS & NOTES
PLAN AND PROFILE - U.S.R. 30	74-83	UNDERDRAIN DETAILS
PLAN AND PROFILE - INTERCHANGE RAMP	84-112	PREFABRICATED STRUCTURES
PLAN AND PROFILE - MAINTENANCE DRIVE	113-115	TRAFFIC CONTROL
PLAN AND PROFILE - SERVICE ROAD	116-117	LIGHTING
PLAN AND PROFILE - C.R. 108	118-119	STRUCTURES OVER 20' SPAN
PLAN AND PROFILE - T.R. 49	120-130	WYA-30-1051
PLAN AND PROFILE - T.R. 47	131-134	WYA-30-1129 WB
CROSS SECTIONS - U.S.R. 30	135-138	WYA-30-1129 RAMP B
CROSS SECTIONS - INTERCHANGE RAMP	139-161	WYA-23-2589 L
CROSS SECTIONS - MAINTENANCE DRIVE	162-208	WYA-23-1589 R
CROSS SECTIONS - SERVICE ROAD	209-210	WYA-30-1603
CROSS SECTIONS - CONNECTOR ROAD	211-215	RIGHT OF WAY
CROSS SECTIONS - C.R. 108	216-218	SOIL PROFILE
CROSS SECTIONS - T.R. 49	219-238,222A	SHEETS NOT USED
CROSS SECTIONS - T.R. 47	239-253	
	254-269	

STANDARD CONSTRUCTION DRAWINGS								SUPPLEMENTAL SPECIFICATIONS		SPECIAL PROVISIONS		
BP-1.1	7/28/00	MGS-1.1	1/19/18	MH-1.1	1/15/16	HL-10.31	1/19/18	TC-07.65	7/20/18	800-2019	4/19/19	WATERWAY PERMIT
CB-2.2	7/20/18	MGS-2.1	1/19/18	MH-1.2	1/15/16	HL-20.11	4/21/17	TC-12.30	1/19/18	832	10/19/18	5/01/19
CB-3.1	1/15/16	MGS-3.1	1/19/18	MH-3.1	1/18/13	HL-20.14	1/18/19	TC-21.10	7/21/17			GEOTECHNICAL REPORT
CB-3.2	1/15/16	MGS-4.2	7/19/13	RM-1.1	7/18/14	HL-20.21	1/18/18	TC-21.20	7/20/18			4/19/17
CB-3.4	1/15/16	MGS-5.3	7/15/16	RM-4.2	7/20/18	HL-30.11	1/18/19	TC-22.20	1/17/14			
DM-1.1	7/21/17	MGS-6.1	1/19/18	RM-4.3	7/18/14	HL-30.21	1/17/14	TC-41.10	7/19/13			
DM-4.4	1/15/16	HW-1.1	1/18/13			HL-30.22	1/17/14	TC-41.20	10/18/13			
F-2.1	7/20/18	HW-2.1	1/18/13	MT-95.30	7/18/14	HL-30.31	1/17/14	TC-41.40	10/18/13			
F-3.1	7/19/13	HW-2.2	1/18/13	MT-102.10	7/18/14	HL-40.10	1/20/17	TC-41.50	10/18/13			
F-3.3	7/19/13	LA-1.1	10/15/10			HL-50.11	1/16/15	TC-42.10	10/18/13			
F-3.4	7/19/13	LA-1.2	1/16/09	ICD-1-82	7/19/02	HL-60.21	7/20/18	TC-42.20	10/18/13			
		WQ-1.1	1/18/13			HL-60.31	1/18/19	TC-51.11	1/15/16			
		WQ-1.2	1/15/16					TC-52.10	10/18/13			
								TC-52.20	7/20/18			

PROJECT DESCRIPTION

CONSTRUCTION OF A 2.24 MILE CONNECTION FROM U.S. 30 TO U.S. 23, WITH A CONNECTING ROAD AT U.S. 30 AND A LIGHTED INTERCHANGE AT U.S. 23. INCLUDING CONSTRUCTION OF STRUCTURES U.S. 30 UNDER T.R. 49, U.S. 30 WB OVER U.S. 23 SB, RAMP B, AND U.S. 23 UNDER C.R. 47; REPLACEMENT OF STRUCTURES U.S. 23 NB AND SB OVER LITTLE TYMOCHTEE CREEK; RECONSTRUCTION OF VARIOUS LOCAL ROADS; AND INSTALLATION OF NECESSARY TRAFFIC CONTROL DEVICES.

EARTH DISTURBED AREAS

PROJECT EARTH DISTURBED AREA: 20.6 ACRES
ESTIMATED CONTRACTOR EARTH DISTURBED AREA: 5.4 ACRES
NOTICE OF INTENT EARTH DISTURBED AREA: 26.0 ACRES

LIMITED ACCESS

THIS IMPROVEMENT IS ESPECIALLY DESIGNED FOR THROUGH TRAFFIC AND HAS BEEN DECLARED A LIMITED ACCESS HIGHWAY OR FREEWAY BY ACTION OF THE DIRECTOR IN ACCORDANCE WITH THE PROVISIONS OF SECTION 5511.02 OF THE OHIO REVISED CODE.

2019 SPECIFICATIONS

THE STANDARD SPECIFICATIONS OF THE STATE OF OHIO, DEPARTMENT OF TRANSPORTATION, INCLUDING SUPPLEMENTAL SPECIFICATIONS LISTED IN THE PLANS AND CHANGES LISTED IN THE PROPOSAL SHALL GOVERN THIS IMPROVEMENT.

I HEREBY APPROVE THESE PLANS AND DECLARE THAT THE MAKING OF THIS IMPROVEMENT WILL NOT REQUIRE THE CLOSING TO TRAFFIC OF THE HIGHWAY EXCEPT FOR THE SIDE ROADS AS DESCRIBED ON SHEETS AND THAT PROVISIONS FOR THE MAINTENANCE AND SAFETY OF TRAFFIC WILL BE AS SET FORTH ON THE PLANS AND ESTIMATES.

APPROVED _____
DATE _____ DISTRICT DEPUTY DIRECTOR

APPROVED _____
DATE _____ DIRECTOR, DEPARTMENT OF TRANSPORTATION

FEDERAL PROJECT NO.
E043 (184)

PID NO.
23436

CONSTRUCTION PROJECT NO.

RAILROAD INVOLVEMENT
NONE

WYA-30-9.11

STATE OF OHIO

DEPARTMENT OF TRANSPORTATION

ERI-2-30.51 AND VARIOUS
LOR-2-0.00 AND VARIOUS

CITY OF VERMILION
BROWNHELM TOWNSHIP
VERMILION TOWNSHIP
ERIE AND LORAIN COUNTIES

PROJECT DESCRIPTION

REHABILITATION OF 1.72 MILES OF EXISTING PAVEMENT AND SHOULDERS FOR ONGOING RESEARCH PROJECTS INCLUDING THE INSTALLATION OF WEIGH-IN-MOTION INSTRUMENTATION AND THE REHABILITATION OF BRIDGES UNDER WEST RIVER ROAD, VERMILION ROAD, VERMILION INTERCHANGE ROAD, SUNNYSIDE ROAD AND CLAU ROAD AND OVER THE VERMILION RIVER AND BAUMHART ROAD.

EARTH DISTURBED AREAS

PROJECT EARTH DISTURBED AREA: 9.5 ACRES
ESTIMATED CONTRACTOR EARTH DISTURBED AREA: 2.6 ACRES
NOTICE OF INTENT EARTH DISTURBED AREA: 12.1 ACRES

LIMITED ACCESS

THIS IMPROVEMENT IS ESPECIALLY DESIGNED FOR THROUGH TRAFFIC AND HAS BEEN DECLARED A LIMITED ACCESS HIGHWAY OR FREEWAY BY ACTION OF THE DIRECTOR IN ACCORDANCE WITH THE PROVISIONS OF SECTION 5511.02 OF THE OHIO REVISED CODE.

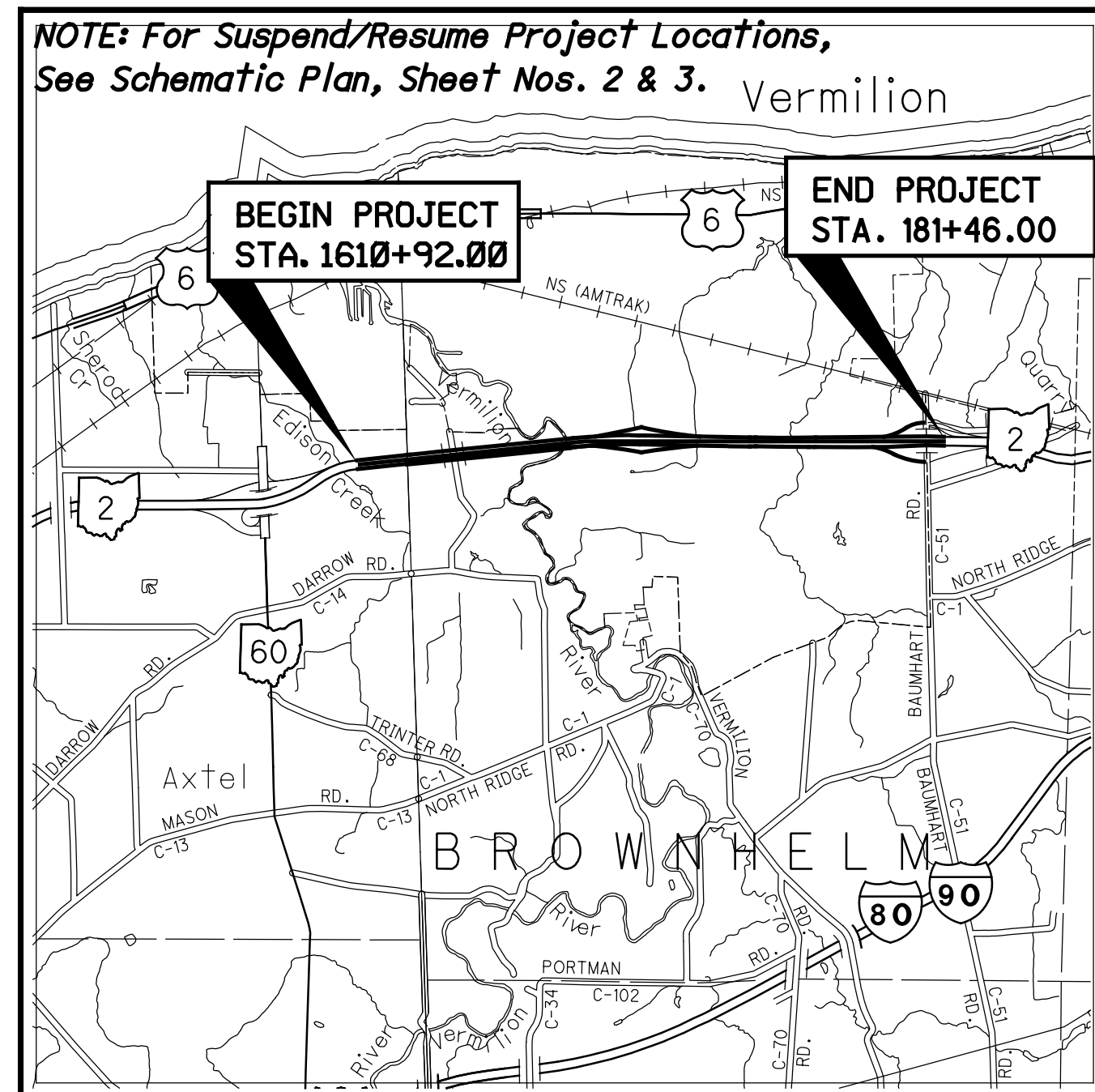
2016 SPECIFICATIONS

THE STANDARD SPECIFICATIONS OF THE STATE OF OHIO, DEPARTMENT OF TRANSPORTATION, INCLUDING SUPPLEMENTAL SPECIFICATIONS LISTED IN THE PLANS AND CHANGES LISTED IN THE PROPOSAL SHALL GOVERN THIS IMPROVEMENT.

I HEREBY APPROVE THESE PLANS AND DECLARE THAT THE MAKING OF THIS IMPROVEMENT WILL NOT REQUIRE THE CLOSING TO TRAFFIC OF THE HIGHWAY EXCEPT FOR THE RAMPS AND SIDE ROADS AS DESCRIBED ON SHEETS 16 & 17 AND AS SHOWN ON SHEETS 19-22, AND THAT PROVISIONS FOR THE MAINTENANCE AND SAFETY OF TRAFFIC WILL BE AS SET FORTH ON THE PLANS AND ESTIMATES.

APPROVED _____
DATE _____ DISTRICT DEPUTY DIRECTOR

APPROVED _____
DATE _____ DIRECTOR, DEPARTMENT OF TRANSPORTATION



LOCATION MAP

LATITUDE: 41°24'10" LONGITUDE: 82°18'40"



PORTION TO BE IMPROVED	—————
INTERSTATE HIGHWAY	—————
FEDERAL ROUTES	—————
STATE ROUTES	—————
COUNTY & TOWNSHIP ROADS	—————
OTHER ROADS	—————

FOR DESIGN DESIGNATION AND DESIGN EXCEPTION INFORMATION, SEE SHEETS 2 AND 3.

INDEX OF SHEETS:

TITLE SHEET	1	DETAILS:	
SCHEMATIC PLAN	2-3	PAVEMENT JOINT REPAIR	144-146
TYPICAL SECTIONS	4-9	SHRP PAVEMENT REPAIR	147-154, 154A
GENERAL NOTES	10-15	PIER PROTECTION	155-156
MAINTENANCE OF TRAFFIC	16-59, 59A	APPROACH SLABS	157-158
GENERAL SUMMARY	60-62	CURB REMOVAL & SHOULDER REPLACEMENT	159-166
SUBSUMMARIES:		CONCRETE SHOULDER	167
GUARDRAIL	63	MEDIAN CROSSEVER	168
SEEDING	64	DRAINAGE	169, 169A
DRAINAGE	65-66	SUPERELEVATION TABLES	170-171
CALCULATIONS		PREFABRICATED STRUCTURES	172-179
JOINT REPAIR	74-80	WEITH-IN-MOTION DETAILS	180-185
PAVEMENT GRINDING	81	TRAFFIC CONTROL	186-205
JOINT SEALING	82-83	STRUCTURES OVER 20 FOOT SPAN	
SEEDING	84-85	LOR-2-3001	206-214
PROJECT SITE PLAN	89-90	LOR-2-9806	215-223
PLAN AND PROFILE - S.R.2	91-108	LOR-2-1070	224-233
CROSS SECTIONS - S.R.2	109-122	LOR-2-1511	234-242
SIDE APPROACHES:		LOR-2-2231	243-251
RAMPS - REST AREA	123-128	LOR-2-2621	252-261
RAMPS - VERMILLION INTERCHANGE	129-132	LOR-2-3331	262-267
RAMPS - BAUMHART INTERCHANGE	133-134	SOIL PROFILES	
WEST RIVER ROAD	135-136	SHEETS NOT USED	67-73, 86-88
VERMILLION ROAD	137-138		
VERMILLION INTERCHANGE ROAD	139		
SUNNYSIDE ROAD	140-141		
CLAUS ROAD	142-143		

UNDERGROUND UTILITIES
Contact Two Working Days Before You Dig

OHIO811, 8-1-1, or 1-800-362-2764
(Non-members must be called directly)

PLAN PREPARED BY:
JOHN DOE CONSULTANTS, INC.
9999 ENGLISH DRIVE
COMPUTERLAND, OHIO 00000

ENGINEERS SEAL:
FOR ENTIRE PLAN EXCEPT STRUCTURES OVER 20'

SIGNED: Jane C. Smith
DATE: 11-11-14

ENGINEERS SEAL:
FOR STRUCTURES 20' & UNDER

SIGNED: John J. Doe
DATE: 11-11-14

STANDARD CONSTRUCTION DRAWINGS							SUPPLEMENTAL SPECIFICATIONS	SPECIAL PROVISIONS
BP-1.1	7/28/00	MGS-1.1	7/19/13	HL-10.13	1/16/15	TC-18.24	1/17/14	
BP-2.1	7/19/13	MGS-2.1	7/19/13	HL-20.14	1/16/15	TC-22.20	1/17/14	800-2013 1/21/15
BP-2.2	7/18/08	MGS-3.1	7/18/14	HL-30.11	1/16/15	TC-41.10	7/19/13	832 1/17/14
BP-2.3	7/18/14	MGS-3.2	1/18/13	HL-30.21	1/17/14	TC-41.20	10/18/13	
BP-2.5	7/19/13	MGS-4.2	7/19/13	HL-30.31	1/17/14	TC-41.40	10/18/13	
BP-3.1	7/18/14	MGS-5.3	7/19/13	HL-30.32	1/17/14	TC-41.50	10/18/13	
BP-6.1	7/19/13	MGS-6.1	7/19/13	HL-40.10	1/17/14	TC-42.10	10/18/13	
CB-1.1	1/18/13	RM-4.2	6/4/14	MT-95.30	7/18/14	TC-51.11	1/17/14	
CB-2.2	1/17/14	RM-4.3	7/18/14	MT-95.31	7/18/14	TC-52.10	10/18/13	
CB-3.1	1/18/13	RM-4.4	7/18/14	MT-96.11	7/18/14	TC-52.20	7/18/14	
CB-3.2	1/18/13			MT-96.20	7/19/13	TC-65.10	1/17/14	
		AS-1-81	1/18/13	MT-96.26	7/19/13	TC-65.11	7/18/14	
DM-1.1	1/18/13	EXJ-4-87	7/19/02	MT-99.20	7/19/13	TC-72.20	7/18/14	
DM-4.4	7/20/12	RB-1-55	7/19/13			TC-82.10	10/18/13	

STATE OF OHIO
DEPARTMENT OF TRANSPORTATION

CRA-C.R. 6-1.61
(BOUNDARY RD.) PART 1
CRANBERRY TOWNSHIP
CRAWFORD COUNTY
FOR PART 2, SEE CAR-C.R. 31 (SCOTT RD.)

PROJECT DESCRIPTION

IMPROVEMENT OF 0.04 MILE OF C.R. 6 (BOUNDARY ROAD) BY REPLACEMENT OF AN EXISTING STEEL TRUSS STRUCTURE OVER BROKEN KNIFE CREEK WITH A PRECAST PRESTRESSED BOX BEAM TYPE STRUCTURE INCLUDING APPROACH RECONSTRUCTION.

EARTH DISTURBED AREAS

PROJECT EARTH DISTURBED AREA: 1.7 ACRES
ESTIMATED CONTRACTOR EARTH DISTURBED AREA: 0.8 ACRES
NOTICE OF INTENT EARTH DISTURBED AREA: 2.5 ACRES

2019 SPECIFICATIONS

THE STANDARD SPECIFICATIONS OF THE STATE OF OHIO, DEPARTMENT OF TRANSPORTATION, INCLUDING SUPPLEMENTAL SPECIFICATIONS LISTED IN THE PLANS AND CHANGES LISTED IN THE PROPOSAL SHALL GOVERN THIS IMPROVEMENT.

I HEREBY APPROVE THESE PLANS AND DECLARE THAT THE MAKING OF THIS IMPROVEMENT WILL REQUIRE THE CLOSING TO TRAFFIC OF THE HIGHWAY AND THAT DETOURS WILL BE PROVIDED AS INDICATED ON SHEET 7.

APPROVED _____
DATE _____ CRAWFORD COUNTY COMMISSIONER

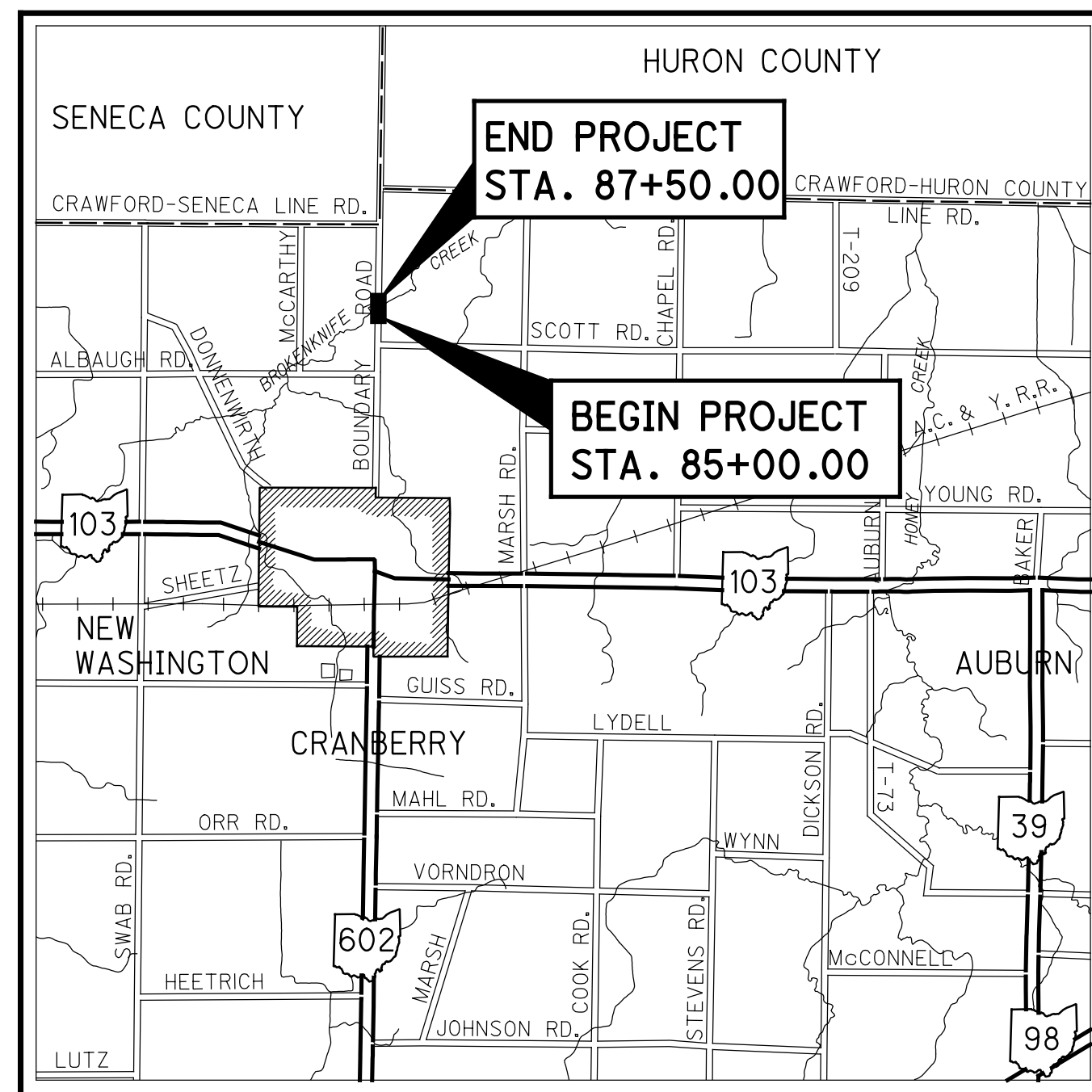
APPROVED _____
DATE _____ CRAWFORD COUNTY COMMISSIONER

APPROVED _____
DATE _____ CRAWFORD COUNTY COMMISSIONER

APPROVED _____
DATE _____ ENGINEER, CRAWFORD COUNTY

APPROVED _____
DATE _____ DISTRICT DEPUTY DIRECTOR

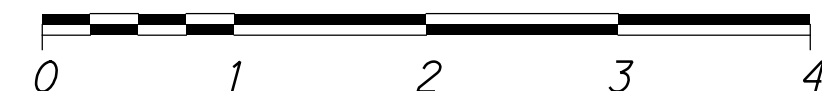
APPROVED _____
DATE _____ DIRECTOR, DEPARTMENT OF TRANSPORTATION



LOCATION MAP

LATITUDE: 40°59'10" LONGITUDE: 82°51'10"

SCALE IN MILES



PORTION TO BE IMPROVED	—————
INTERSTATE & DIVIDED HIGHWAY	=====
UNDIVIDED STATE & FEDERAL ROUTES	—————
OTHER ROADS	—————

DESIGN DESIGNATION

CURRENT ADT (2013)	1500
DESIGN YEAR ADT (2033)	2020
DESIGN HOURLY VOLUME (2033)	166
DIRECTIONAL DISTRIBUTION	50%
TRUCKS (24 HOUR B&C)	5%
DESIGN SPEED	55 MPH
LEGAL SPEED	55 MPH
DESIGN FUNCTIONAL CLASSIFICATION:	05 MAJOR COLLECTOR (RURAL)
NHS PROJECT	NO

DESIGN EXCEPTIONS

NONE REQUIRED

ADA DESIGN WAIVERS

NONE REQUIRED

UNDERGROUND UTILITIES
Contact Two Working Days Before You Dig

OHIO811, 8-1-1, or 1-800-362-2764
(Non-members must be called directly)

PLAN PREPARED BY:

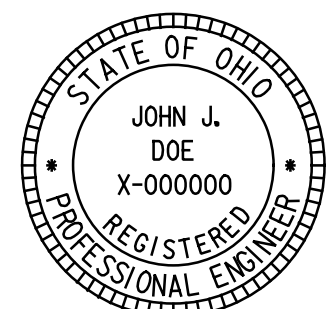
JOHN J. DOE & ASSOC., INC.
9999 ENGLISH DRIVE
COMPUTERLAND, OHIO 00000

INDEX OF SHEETS:

TITLE SHEET	1
SCHEMATIC PLAN	2
TYPICAL SECTIONS	3-4
GENERAL NOTES	5
MAINTENANCE OF TRAFFIC	6
DETOUR PLAN	7
MAINTENANCE OF TRAFFIC	8-9
GENERAL SUMMARY AND CALCULATIONS	10
PROJECT SITE PLAN	11
PLAN AND PROFILE	12-13
CROSS SECTIONS	14-17
PREFABRICATED STRUCTURES	18-21
RIGHT OF WAY	22-27
SOIL PROFILES	

ENGINEERS SEAL:

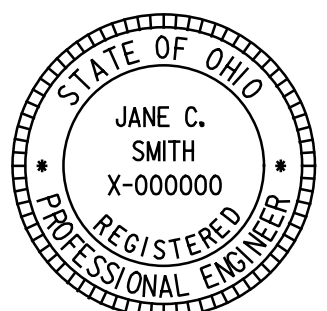
FOR DESIGN CHANGES NOTED ON SHEET 4



SIGNED: John J. Doe
DATE: 11/11/14

ENGINEERS SEAL:

FOR ENTIRE PLAN EXCEPT STRUCTURES 20' & OVER



SIGNED: Jane C. Smith
DATE: 11/11/14

PARTS 1 AND 2

STANDARD CONSTRUCTION DRAWINGS						SUPPLEMENTAL SPECIFICATIONS	
BP-3.1	7/18/14	RM-1.1	7/18/14			800-2020	4/17/20
CB-1.1	1/18/13	AS-1-81	1/18/13			832	10/19/18
CB-1.2	1/18/13	TST-1-99	1/17/14				
DM-1.1	1/18/13	MT-105.10	7/19/13				
DM-4.4	7/20/12	MT-110.10	7/19/13				
MGS-1.1	7/19/13	TC-41.20	10/18/13				
MGS-2.1	7/19/13	TC-41.40	10/18/13				
MGS-4.2	7/19/13	TC-52.10	10/18/13				
MGS-5.3	7/19/13	TC-52.20	7/18/14				
HW-2.1	1/18/13						
HW-2.2	1/18/13						
						SPECIAL PROVISIONS	
						WATERWAY PERMIT	
						1/23/18	

FEDERAL PROJECT NO.
E017 (212)

PID NO.
24988

CONSTRUCTION PROJECT NO.

RAILROAD INVOLVEMENT

NONE

CRA-C.R. 6-1.61
(BOUNDARY RD.) PART 1

STATE OF OHIO

DEPARTMENT OF TRANSPORTATION

DEL-257-8.37
MAR-257-0.00

VILLAGE OF PROSPECT
CONCORD AND SCIOTO TOWNSHIPS
THOMPSON AND PROSPECT TOWNSHIPS
DELAWARE AND MARION COUNTIES

PROJECT DESCRIPTION

SPOT PAVEMENT REPAIRS ON S.R. 257 IN DELAWARE COUNTY BETWEEN SLM 8.37 (U.S. 42/S.R. 745) AND SLM 14.28 (S.R. 37).

8' WIDE, CONTINUOUS, SLOT PAVING ON OUTSIDE EDGE OF S.R. 257, BEGINNING AT SLM 14.26 (S.R. 37) IN DELAWARE COUNTY AND ENDING AT S.R. 47 IN MARION COUNTY (SLM. 66).

EARTH DISTURBED AREAS

PROJECT EARTH DISTURBED AREA: 4.0 ACRES
ESTIMATED CONTRACTOR EARTH DISTURBED AREA: 0.1 ACRES
NOTICE OF INTENT EARTH DISTURBED AREA: N/A (NOI NOT REQUIRED)*

* ROUTINE MAINTENANCE PROJECT

2019 SPECIFICATIONS

THE STANDARD SPECIFICATIONS OF THE STATE OF OHIO, DEPARTMENT OF TRANSPORTATION, INCLUDING SUPPLEMENTAL SPECIFICATIONS LISTED IN THE PLANS AND CHANGES LISTED IN THE PROPOSAL SHALL GOVERN THIS IMPROVEMENT.

FOR LOCATION MAP
SEE SHEET 6

LOCATION MAP

LATITUDE: 40°20'20" LONGITUDE: 83°10'47"



Legend for road types: PORTION TO BE IMPROVED, INTERSTATE HIGHWAY, FEDERAL ROUTES, STATE ROUTES, COUNTY & TOWNSHIP ROADS, OTHER ROADS.

DESIGN DESIGNATION table with columns for DEL-257-8.37 and MAR-257-0.00, listing metrics like ADT, volume, and speed.

DESIGN FUNCTIONAL CLASSIFICATION:
DEL-257-8.37: 05 MAJOR COLLECTOR (RURAL)
MAR-257-0.00: 06 MINOR COLLECTOR (RURAL)
NHS PROJECT: NO

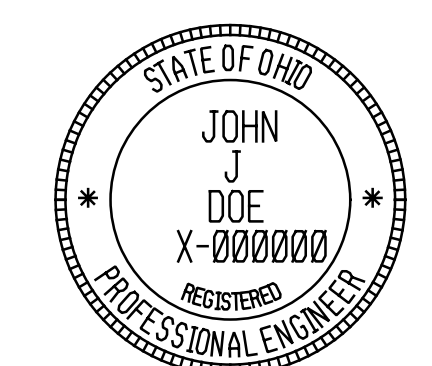
DESIGN EXCEPTIONS
NONE REQUIRED

ADA DESIGN WAIVERS
NONE REQUIRED

UNDERGROUND UTILITIES logo with Ohio811.org and contact information.

PLAN PREPARED BY:
JOHN DOE CONSULTING ENGINEERS,
9999 ENGLISH DRIVE
COMPUTERLAND, OHIO 00000

ENGINEERS SEAL:



SIGNED: John J. Doe
DATE: 01/21/19

INDEX OF SHEETS:

Table listing sheet titles and numbers: TITLE (1), TYPICAL SECTIONS (2-3), GENERAL NOTES (4-5), MAINTENANCE OF TRAFFIC NOTES (6-7), GENERAL SUMMARY (8), PLAN SUBSUMMARY (9), PAVEMENT MARKING SUBSUMMARY (10), RPM SUBSUMMARY (11).

Table with columns for STANDARD CONSTRUCTION DRAWINGS, SUPPLEMENTAL SPECIFICATIONS, and SPECIAL PROVISIONS, listing drawing numbers and dates.

I HEREBY APPROVE THESE PLANS AND DECLARE THAT THE MAKING OF THIS IMPROVEMENT WILL NOT REQUIRE THE CLOSING OF TRAFFIC OF THE HIGHWAY AND THAT PROVISIONS FOR THE MAINTENANCE AND SAFETY OF TRAFFIC WILL BE AS SET FORTH ON THE PLANS AND ESTIMATES.

APPROVED _____
DATE _____ DISTRICT DEPUTY DIRECTOR

APPROVED _____
DATE _____ DIRECTOR, DEPARTMENT OF TRANSPORTATION

FEDERAL PROJECT NO. NONE

PID NO. 93708

CONSTRUCTION PROJECT NO.

RAILROAD INVOLVEMENT

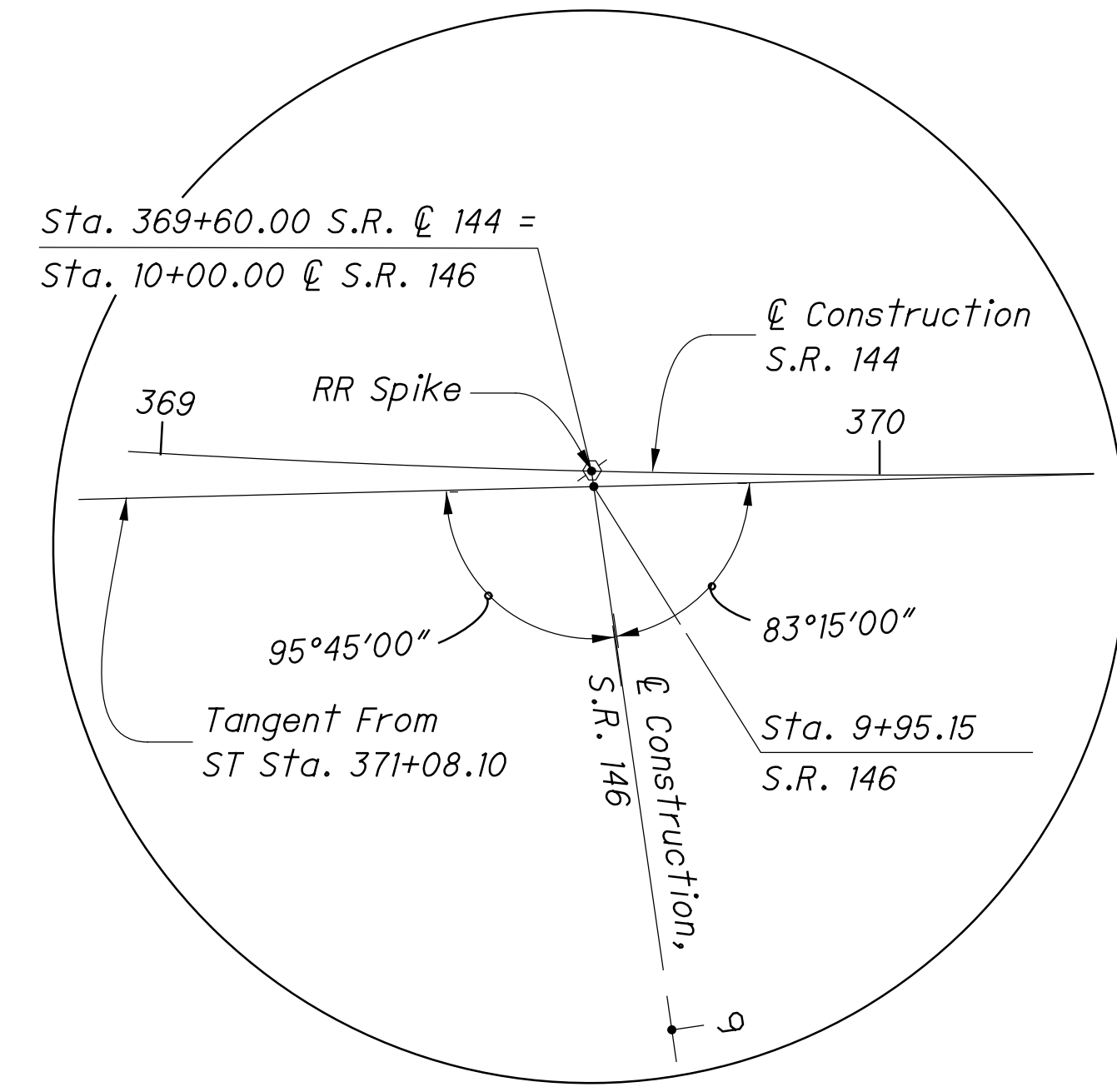
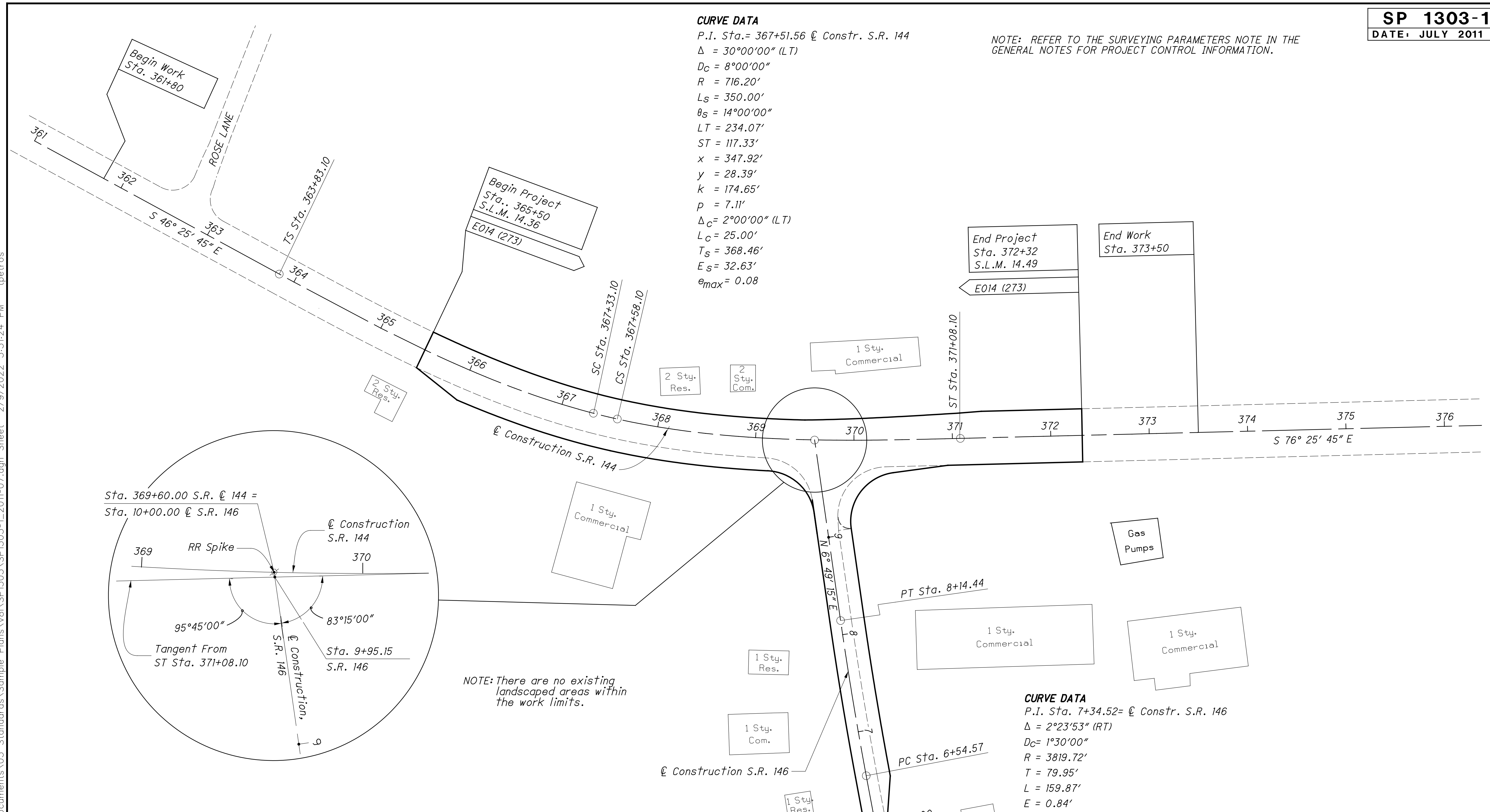
DEL-257-8.37
MAR-257-0.00



CURVE DATA

P.I. Sta. = 367+51.56 @ Constr. S.R. 144
 $\Delta = 30^{\circ}00'00''$ (LT)
 $D_c = 8^{\circ}00'00''$
 $R = 716.20'$
 $L_s = 350.00'$
 $\theta_s = 14^{\circ}00'00''$
 $LT = 234.07'$
 $ST = 117.33'$
 $x = 347.92'$
 $y = 28.39'$
 $k = 174.65'$
 $p = 7.11'$
 $\Delta_c = 2^{\circ}00'00''$ (LT)
 $L_c = 25.00'$
 $T_s = 368.46'$
 $E_s = 32.63'$
 $e_{max} = 0.08$

NOTE: REFER TO THE SURVEYING PARAMETERS NOTE IN THE GENERAL NOTES FOR PROJECT CONTROL INFORMATION.

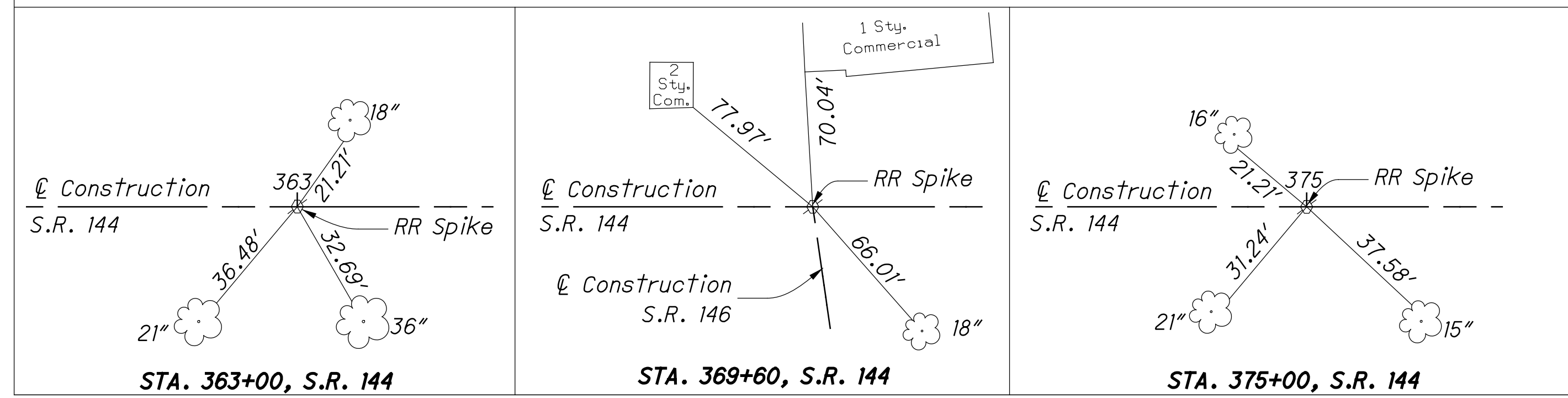


NOTE: There are no existing landscaped areas within the work limits.

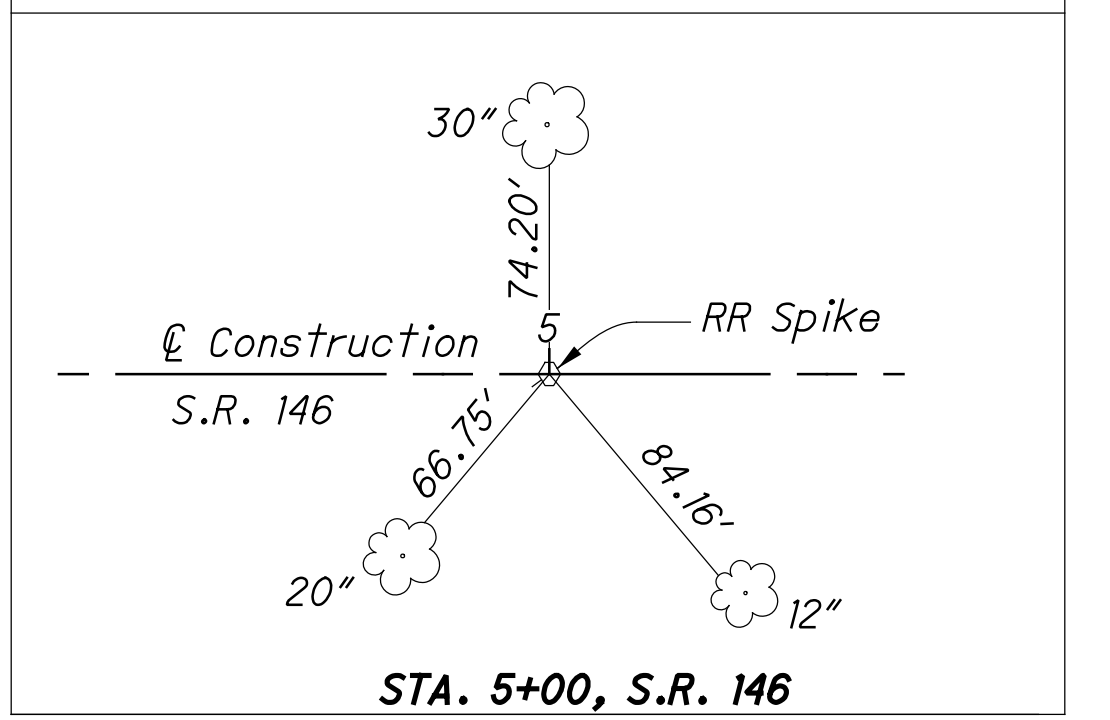
CURVE DATA

P.I. Sta. = 7+34.52 @ Constr. S.R. 146
 $\Delta = 2^{\circ}23'53''$ (RT)
 $D_c = 1^{\circ}30'00''$
 $R = 3819.72'$
 $T = 79.95'$
 $L = 159.87'$
 $E = 0.84'$
 $e_{max} = NC$ (NDC 0.025)

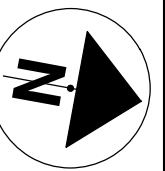
CENTERLINE REFERENCES (Not to Scale)



CENTERLINE REFERENCE (Not to Scale)



p:\ohiodot-pw\ohiodot-pw-02\Documents\03 Standards\Sample Plans\81\SP1303-1\2011-07.dgn Sheet 2/9/2022 3:31:24 PM tpetros



SCHEMATIC PLAN & DESIGN DESIGNATIONS

MIA -43-26.15

The coordinate values expressed herein are assumed and tied to project specific control monuments with no scale factor applied. They are ground values in English units.

CURVE DATA
P.I. STA.= 707+01.08 @ CONSTR. S.R. 43
Δ= 3° 33' 00" (LT.)
Dc= 1° 00' 00"
R = 5,729.58'
T = 177.56'
L = 355.00'
E = 2.75'
e_{max}= NC

CURVE DATA
P.I. STA. = 702+00.00 @ CONSTR. S.R. 43
Δ= 0° 35' 20" (LT.)
NO CURVE

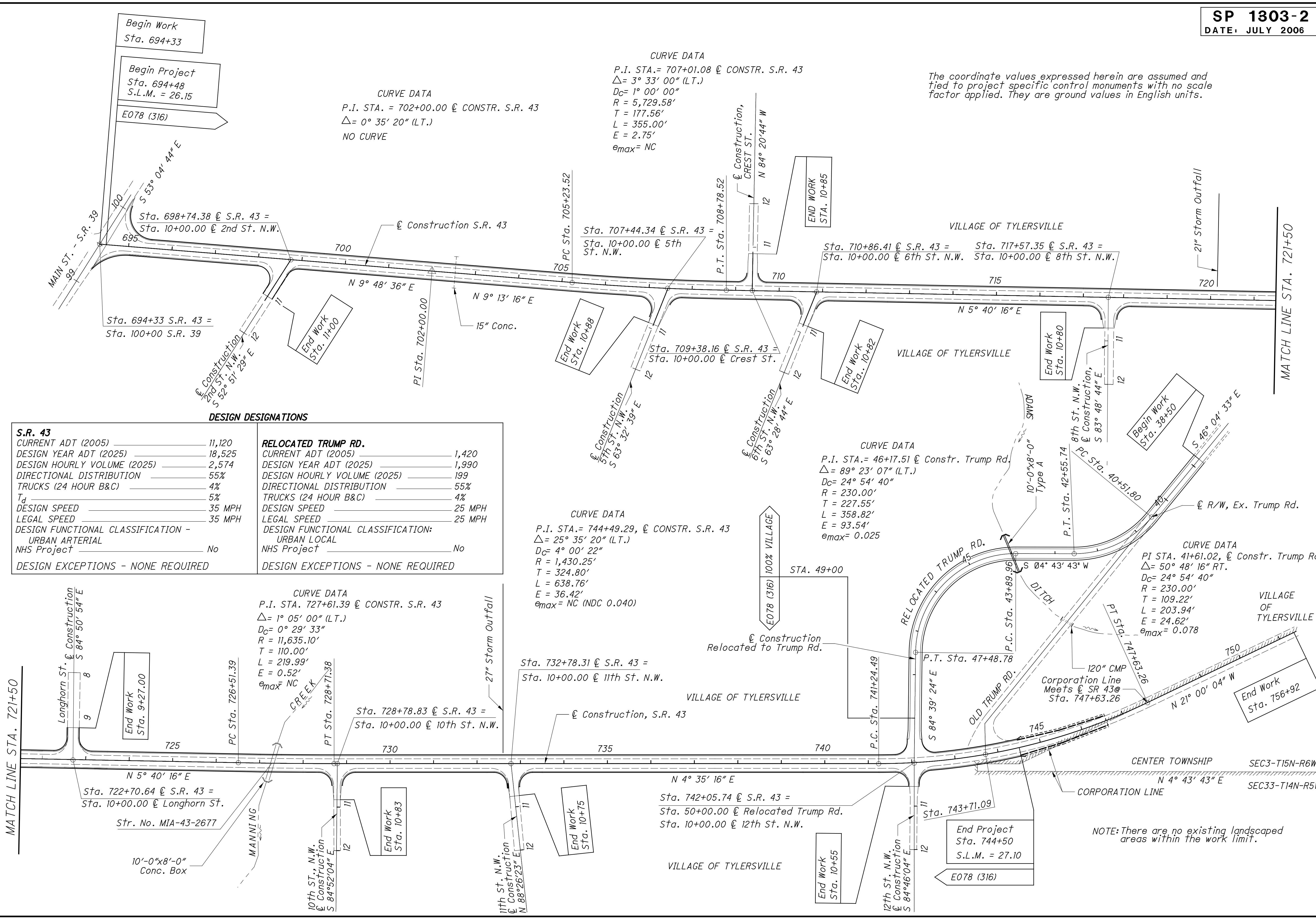
CURVE DATA
P.I. STA.= 46+17.51 @ Constr. Trump Rd.
Δ= 89° 23' 07" (LT.)
Dc= 24° 54' 40"
R = 230.00'
T = 227.55'
L = 358.82'
E = 93.54'
e_{max}= 0.025

CURVE DATA
P.I. STA.= 744+49.29, @ CONSTR. S.R. 43
Δ= 25° 35' 20" (LT.)
Dc= 4° 00' 22"
R = 1,430.25'
T = 324.80'
L = 638.76'
E = 36.42'
e_{max}= NC (NDC 0.040)

CURVE DATA
PI STA. 41+61.02, @ Constr. Trump Rd.
Δ= 50° 48' 16" RT.
Dc= 24° 54' 40"
R = 230.00'
T = 109.22'
L = 203.94'
E = 24.62'
e_{max}= 0.078

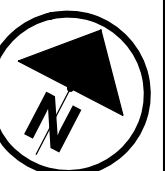
CURVE DATA
P.I. STA. 727+61.39 @ CONSTR. S.R. 43
Δ= 1° 05' 00" (LT.)
Dc= 0° 29' 33"
R = 11,635.10'
T = 110.00'
L = 219.99'
E = 0.52'
e_{max}= NC

DESIGN DESIGNATIONS	
S.R. 43	
CURRENT ADT (2005)	11,120
DESIGN YEAR ADT (2025)	18,525
DESIGN HOURLY VOLUME (2025)	2,574
DIRECTIONAL DISTRIBUTION	55%
TRUCKS (24 HOUR B&C)	4%
T _d	5%
DESIGN SPEED	35 MPH
LEGAL SPEED	35 MPH
DESIGN FUNCTIONAL CLASSIFICATION - URBAN ARTERIAL	
NHS Project	No
DESIGN EXCEPTIONS - NONE REQUIRED	
RELOCATED TRUMP RD.	
CURRENT ADT (2005)	1,420
DESIGN YEAR ADT (2025)	1,990
DESIGN HOURLY VOLUME (2025)	199
DIRECTIONAL DISTRIBUTION	55%
TRUCKS (24 HOUR B&C)	4%
DESIGN SPEED	25 MPH
LEGAL SPEED	25 MPH
DESIGN FUNCTIONAL CLASSIFICATION: URBAN LOCAL	
NHS Project	No
DESIGN EXCEPTIONS - NONE REQUIRED	



NOTE: There are no existing landscaped areas within the work limit.

p:\ohiodot\pw.bentley.com\ohiodot-pw-02\Documents\03_Standards\Sample_Plans\SP1303-2_2006-07.dgn Sheet 2/9/2022 3:31:32 PM tpetros



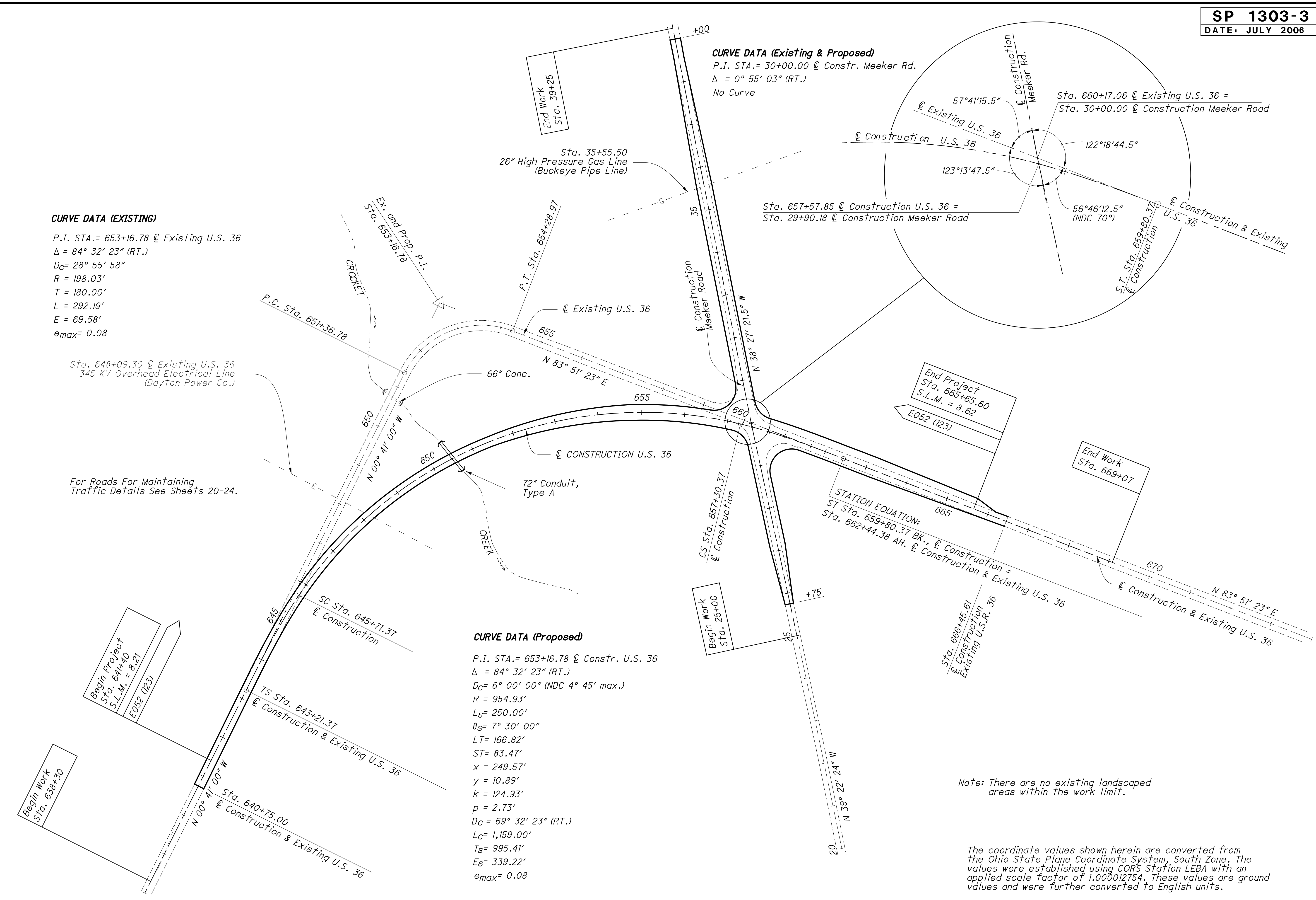
SCHEMATIC PLAN

HAS - 36 - 8.21

CURVE DATA (Existing & Proposed)
P.I. STA.= 30+00.00 @ Constr. Meeker Rd.
 $\Delta = 0^\circ 55' 03''$ (RT.)
No Curve

CURVE DATA (EXISTING)
P.I. STA.= 653+16.78 @ Existing U.S. 36
 $\Delta = 84^\circ 32' 23''$ (RT.)
 $D_C = 28^\circ 55' 58''$
 $R = 198.03'$
 $T = 180.00'$
 $L = 292.19'$
 $E = 69.58'$
 $e_{max} = 0.08$

CURVE DATA (Proposed)
P.I. STA.= 653+16.78 @ Constr. U.S. 36
 $\Delta = 84^\circ 32' 23''$ (RT.)
 $D_C = 6^\circ 00' 00''$ (NDC $4^\circ 45'$ max.)
 $R = 954.93'$
 $L_S = 250.00'$
 $\theta_S = 7^\circ 30' 00''$
 $LT = 166.82'$
 $ST = 83.47'$
 $x = 249.57'$
 $y = 10.89'$
 $k = 124.93'$
 $p = 2.73'$
 $D_C = 69^\circ 32' 23''$ (RT.)
 $L_C = 1,159.00'$
 $T_S = 995.41'$
 $E_S = 339.22'$
 $e_{max} = 0.08$



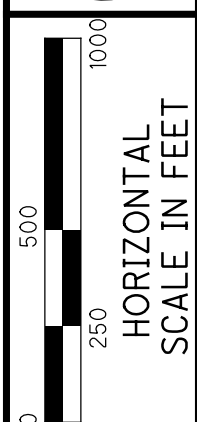
p:\ohiodot-pw\ohiodot-pw-02\Documents\03_Standards\Sample_Plan\SP1303-3_2006-07.dgn Sheet 2/9/2022 3:31:39 PM ipetros

Sta. 648+09.30 @ Existing U.S. 36
345 KV Overhead Electrical Line
(Dayton Power Co.)

For Roads For Maintaining
Traffic Details See Sheets 20-24.

Note: There are no existing landscaped areas within the work limit.

The coordinate values shown herein are converted from the Ohio State Plane Coordinate System, South Zone. The values were established using CORS Station LEBA with an applied scale factor of 1.000012754. These values are ground values and were further converted to English units.



SCHEMATIC PLAN & DESIGN DESIGNATION

SUM / POR-21-30.51 / 0.00
AND VARIOUS

CITY OF VICTORY

CURVE DATA
P.I. Sta. 26+02.47, @ Constr. Victory Road
 $\Delta = 39^\circ 03' 54''$ RT
 $D_c = 4^\circ 04' 06''$
 $R = 1408.30'$
 $T = 499.61'$
 $L = 960.20'$
 $E = 85.99'$
 $\theta_{max} = NC$ (NDC 0.057)

CURVE DATA
P.I. Sta. 1792+05.70, @ Constr. S.R. 21
 $\Delta = 35^\circ 19' 21''$ (LT)
 $D_c = 1^\circ 28' 00''$
 $R = 3,906.53'$
 $T = 1,234.82'$
 $L = 2,408.35'$
 $E = 193.23'$
 $\theta_{max} = 0.037$

CURVE DATA
P.I. Sta. 1814+54.72, @ Constr. S.R. 21
 $\Delta = 29^\circ 22' 21''$ (RT)
 $D_c = 2^\circ 00' 00''$
 $L_s = 300.00'$
 $L_s = 300.00'$
 $\theta_s = 3^\circ 00' 00''$
 $LT = 200.03'$
 $ST = 100.03'$
 $x = 299.22'$
 $y = 5.23'$
 $k = 149.99'$
 $p = 1.31'$
 $D_c = 23^\circ 22' 21''$ (RT)
 $L_c = 1,168.62'$
 $T_s = 901.15'$
 $E_s = 98.11'$
 $\theta_{max} = 0.045$

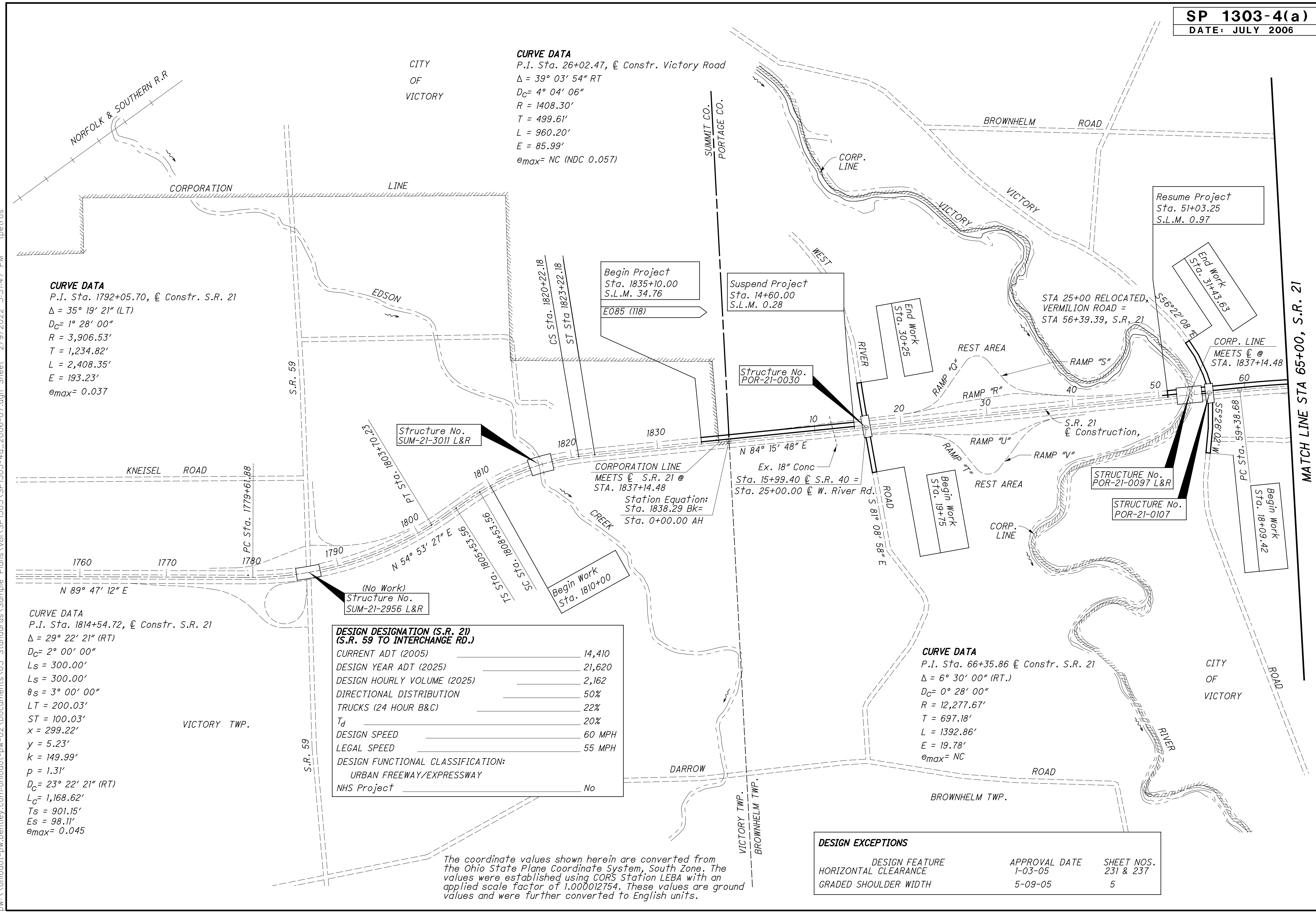
**DESIGN DESIGNATION (S.R. 21)
(S.R. 59 TO INTERCHANGE RD.)**

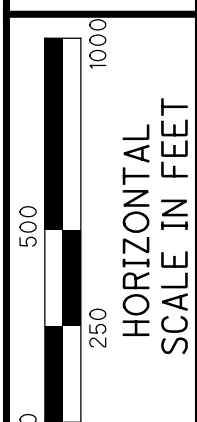
CURRENT ADT (2005)	14,410
DESIGN YEAR ADT (2025)	21,620
DESIGN HOURLY VOLUME (2025)	2,162
DIRECTIONAL DISTRIBUTION	50%
TRUCKS (24 HOUR B&C)	22%
T_d	20%
DESIGN SPEED	60 MPH
LEGAL SPEED	55 MPH
DESIGN FUNCTIONAL CLASSIFICATION:	
URBAN FREEWAY/EXPRESSWAY	
NHS Project	No

DESIGN EXCEPTIONS

DESIGN FEATURE	APPROVAL DATE	SHEET NOS.
HORIZONTAL CLEARANCE	1-03-05	231 & 237
GRADED SHOULDER WIDTH	5-09-05	5

The coordinate values shown herein are converted from the Ohio State Plane Coordinate System, South Zone. The values were established using CORS Station LEBA with an applied scale factor of 1.000012754. These values are ground values and were further converted to English units.





HORIZONTAL SCALE IN FEET

SCHEMATIC PLAN & DESIGN DESIGNATION

SUM/POR-21-30.51-0.00 AND VARIOUS

CITY OF VICTORY

CITY OF LINNEN

BROWNHELM TWP.

CITY OF VICTORY

CURVE DATA
P.I. Sta. 150+59.03, @ Constr. S.R. 21
 $\Delta = 2^\circ 01' 10''$ LT
 $D_c = 0^\circ 15' 00''$
 $R = 22,918.31'$
 $T = 403.93'$
 $L = 807.78'$
 $E = 3.56'$
 $e_{max} = NC$

The coordinate values shown herein are converted from the Ohio State Plane Coordinate System, South Zone. The values were established using CORS Station LEBA with an applied scale factor of 1.000012754. These values are ground values and were further converted to English units.

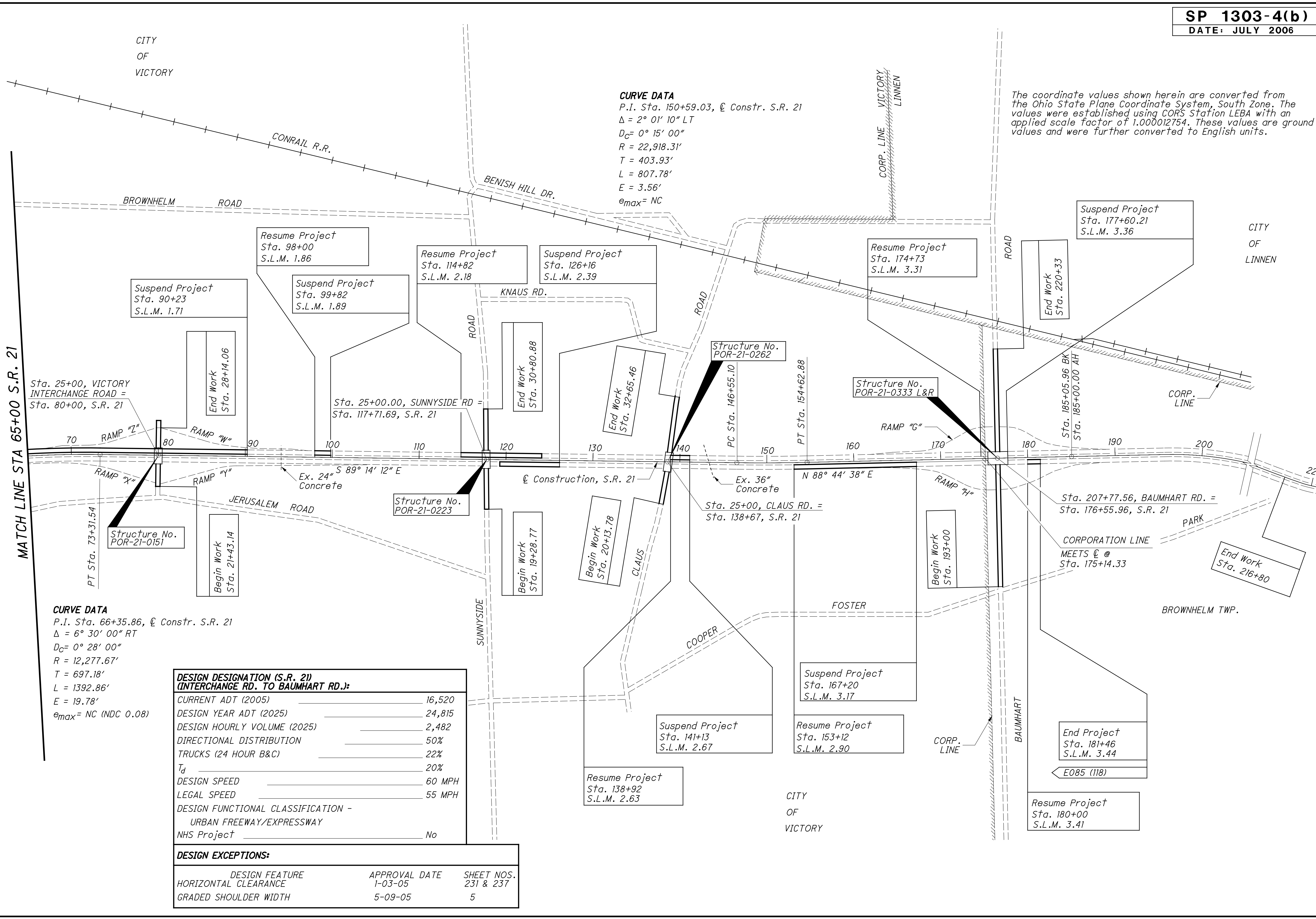
CURVE DATA
P.I. Sta. 66+35.86, @ Constr. S.R. 21
 $\Delta = 6^\circ 30' 00''$ RT
 $D_c = 0^\circ 28' 00''$
 $R = 12,277.67'$
 $T = 697.18'$
 $L = 1392.86'$
 $E = 19.78'$
 $e_{max} = NC$ (NDC 0.08)

DESIGN DESIGNATION (S.R. 21) (INTERCHANGE RD. TO BAUMHART RD.):

CURRENT ADT (2005)	16,520
DESIGN YEAR ADT (2025)	24,815
DESIGN HOURLY VOLUME (2025)	2,482
DIRECTIONAL DISTRIBUTION	50%
TRUCKS (24 HOUR B&C)	22%
T_d	20%
DESIGN SPEED	60 MPH
LEGAL SPEED	55 MPH
DESIGN FUNCTIONAL CLASSIFICATION - URBAN FREEWAY/EXPRESSWAY	
NHS Project	No

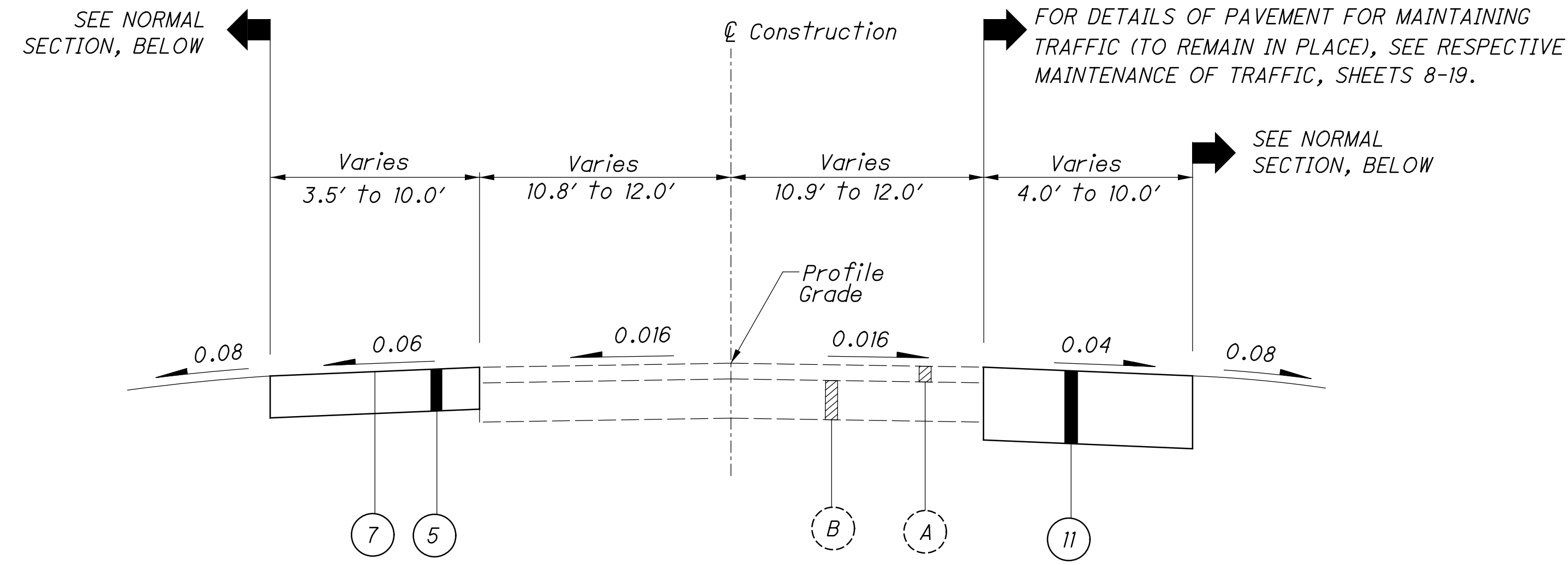
DESIGN EXCEPTIONS:

DESIGN FEATURE	APPROVAL DATE	SHEET NOS.
HORIZONTAL CLEARANCE	1-03-05	231 & 237
GRADED SHOULDER WIDTH	5-09-05	5



p:\ohiodot\pw.bentley.com\ohiodot-pw-02\Documents\03 Standards\Sample Plans\81\SP1303-4b_2006-07.dgn Sheet 2/9/2022 3:31:54 PM tpetros

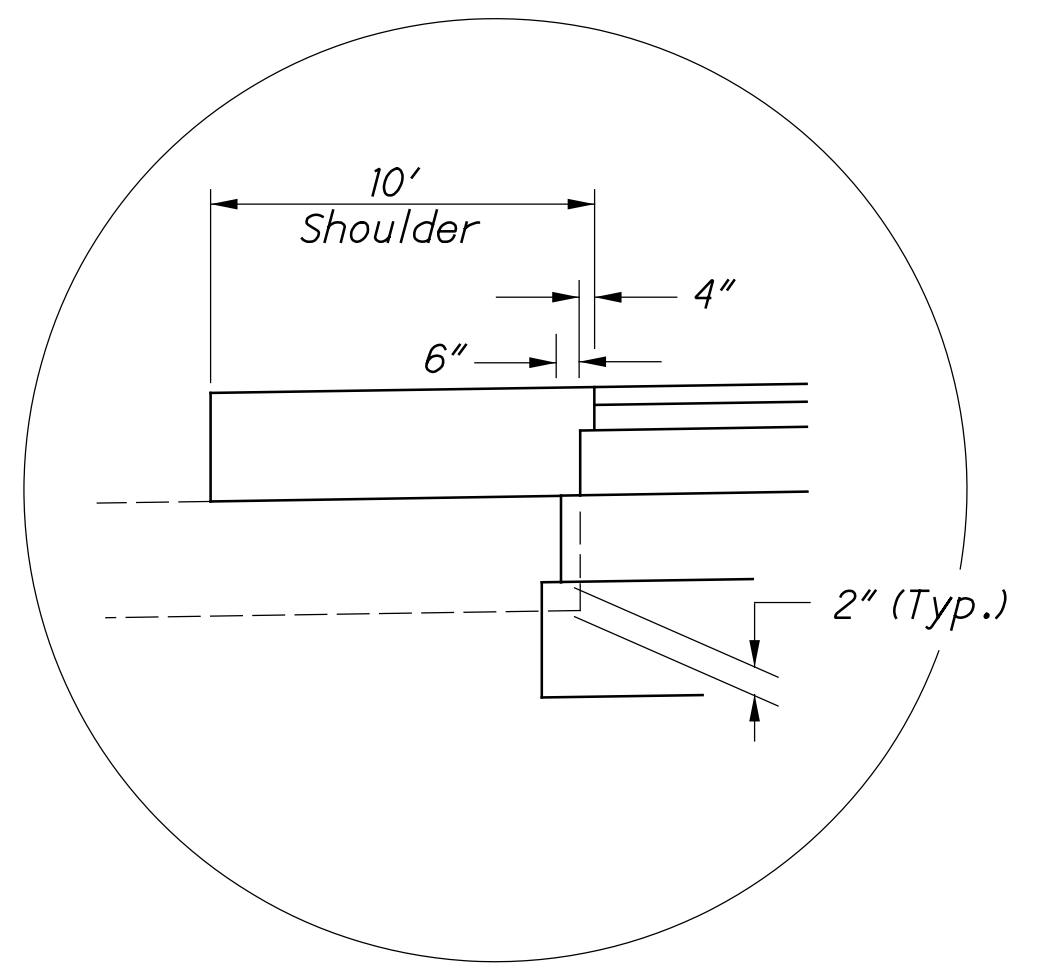
MATCH LINE STA 65+00 S.R. 21



NORMAL SECTION - U.S. 46
Sta. 634+00.00 to Sta. 635+75.00

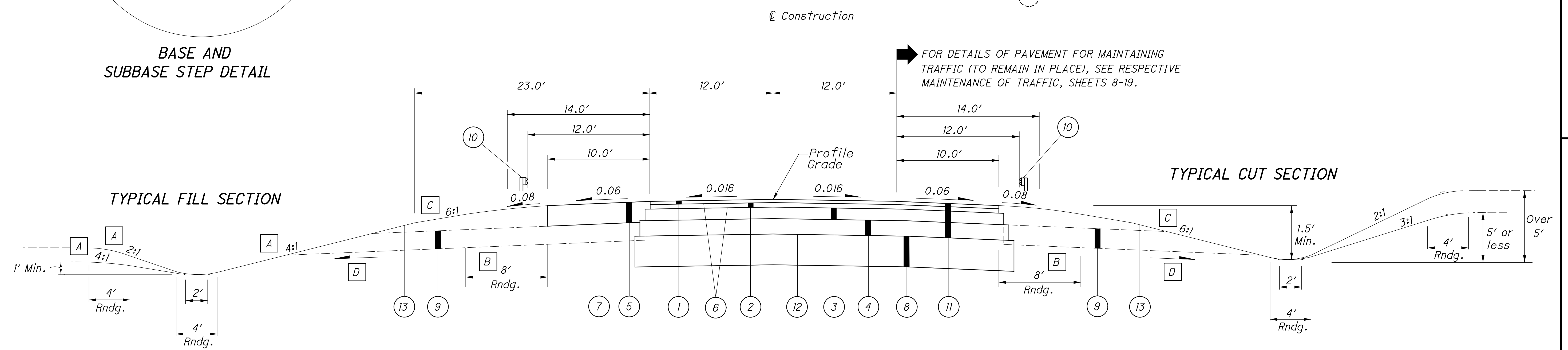
LEGEND

- ① ITEM 442 - 1½" ASPHALT CONCRETE SURFACE COURSE, 12.5mm, TYPE A (448)
 - ② ITEM 442 - 1¾" ASPHALT CONCRETE INTERMEDIATE COURSE, 19mm, Type A (448)
 - ③ ITEM 301 - 5" ASPHALT CONCRETE BASE, PG64-22
 - ④ ITEM 304 - 6" AGGREGATE BASE
 - ⑤ ITEM 304 - 8" AGGREGATE BASE
 - ⑥ ITEM 407 - TACK COAT
 - ⑦ ITEM 408 - PRIME COAT (APPLIED AT A RATE OF 0.40 GAL./SQ. YD.)
 - ⑧ ITEM 206 - LIME STABILIZED SUBGRADE, 16 INCHES DEEP
 - ⑨ ITEM 605 - AGGREGATE DRAINS
 - ⑩ ITEM 606 - GUARDRAIL, TYPE MGS
 - ⑪ ITEM 615 - PAVEMENT FOR MAINTAINING TRAFFIC, CLASS A, AS PER PLAN (SEE RESPECTIVE MAINTENANCE OF TRAFFIC DETAILS)
 - ⑫ ITEM 204 - SUBGRADE COMPACTION
 - ⑬ ITEM 659 - SEEDING AND MULCHING
 - ⑭ ITEM 526 - REINFORCED CONCRETE APPROACH SLABS (T=15")
 - ⑮ NOT USED
 - ⑯ ITEM 605 - 6" SHALLOW PIPE UNDERDRAINS
- Ⓐ 3" ± ASPHALT CONCRETE
Ⓑ 8" ± CONCRETE PAVEMENT

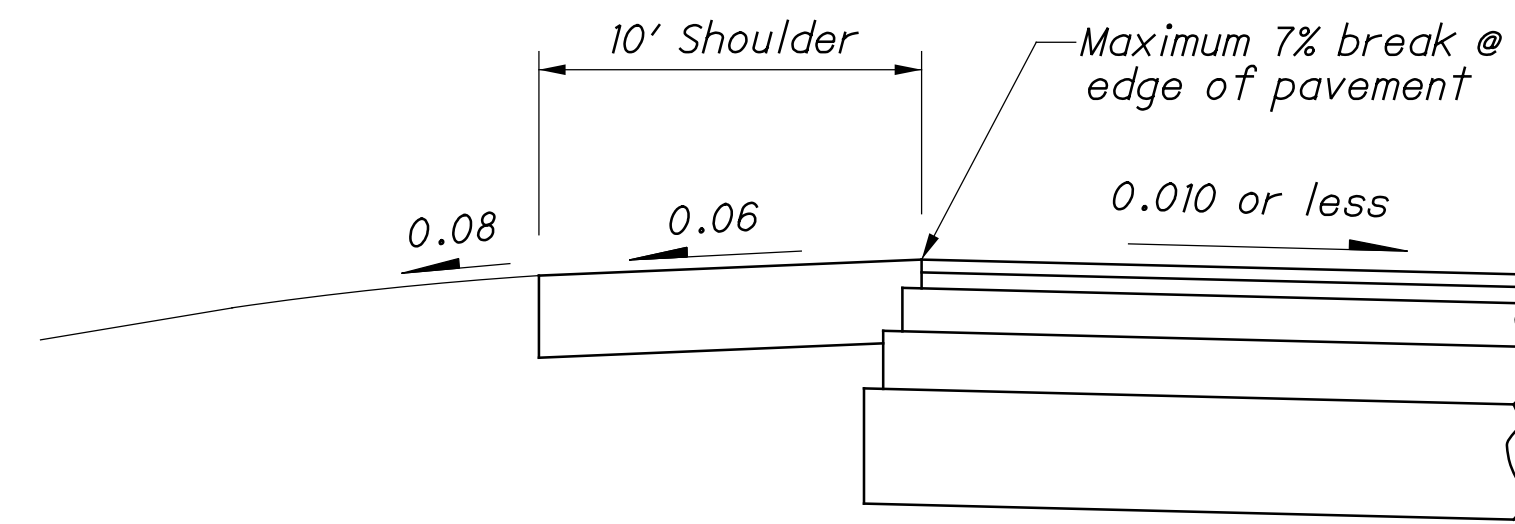


BASE AND SUBBASE STEP DETAIL

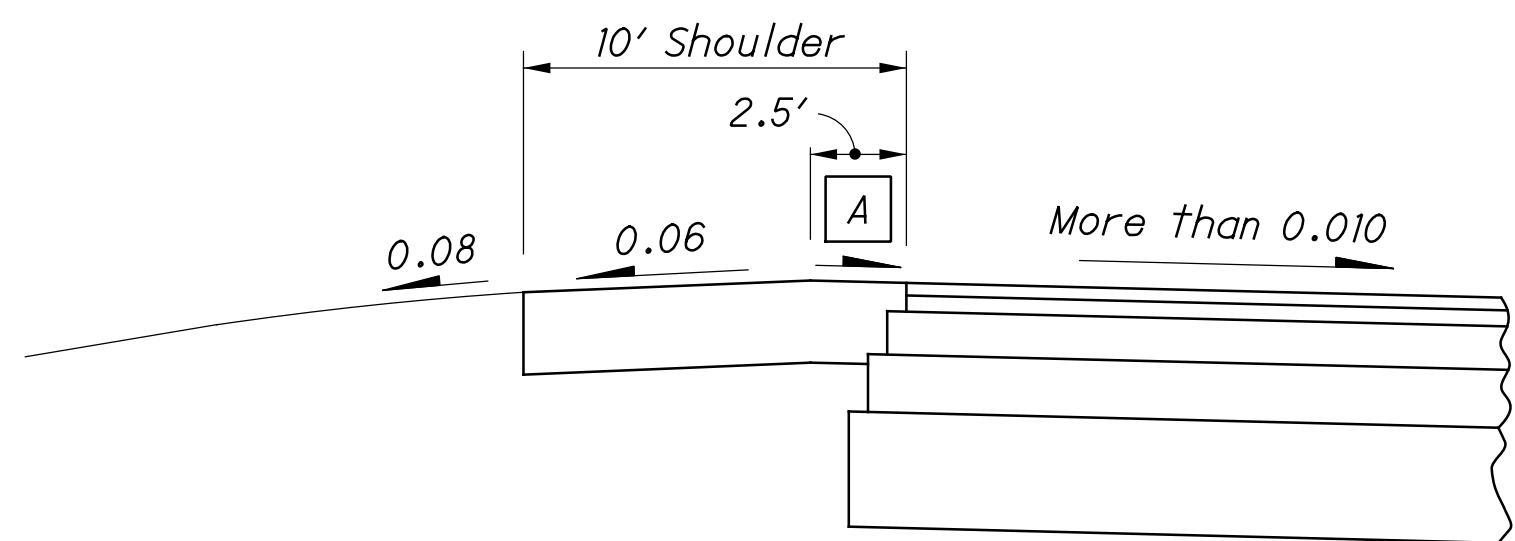
- Ⓐ Unless otherwise shown on Cross Sections
- Ⓑ No rounding is required when foreslope is 6:1 or flatter. 4' Rounding when guardrail is required.
- Ⓒ Foreslope may vary in pavement transition areas at extreme ends of pavement work and adjacent to Structure PIC-46-1209; see cross sections.
- Ⓓ 0.04 Min., 0.08 Desirable



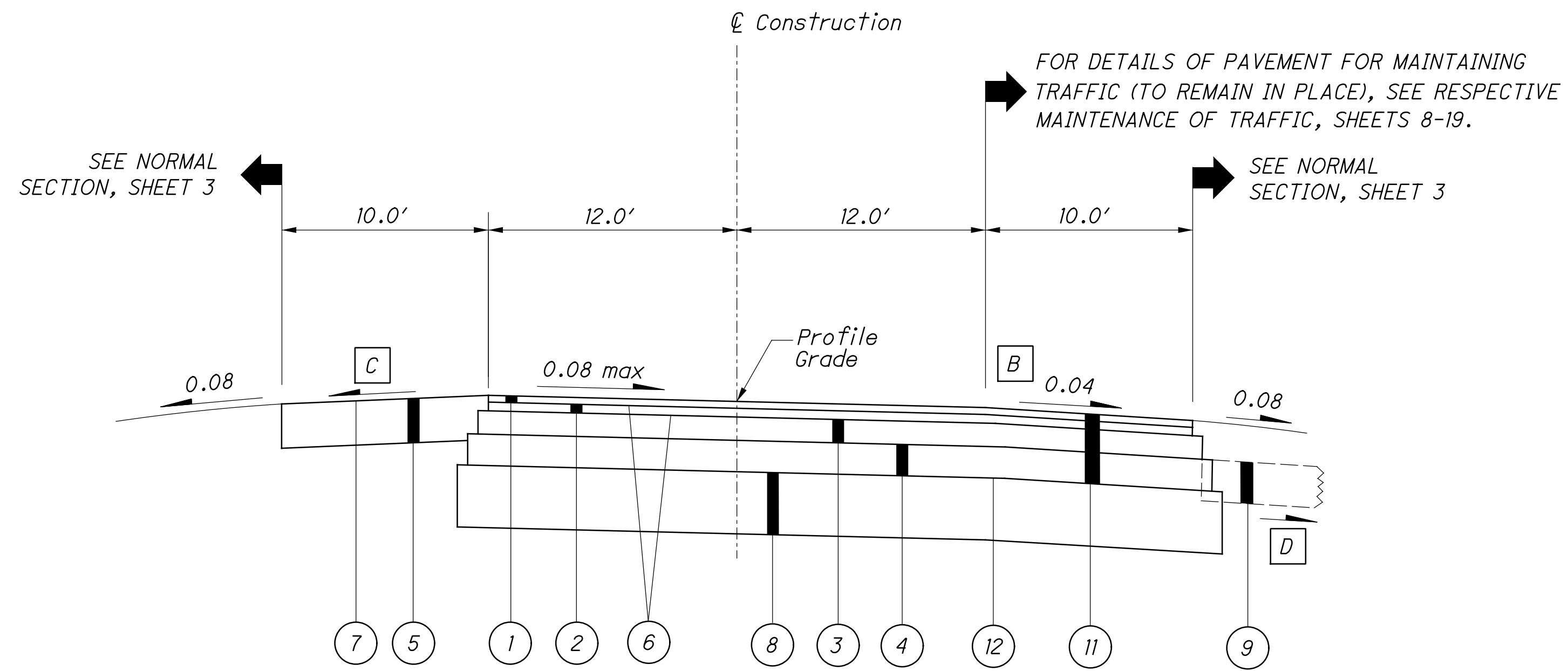
NORMAL SECTION - U.S. 46
Sta. 635+75.00 to Sta. 642+81.37
Sta. 638+22.44 to Sta. 640+48.86



SHOULDER DETAIL
For pavement slopes of 0.010 or less

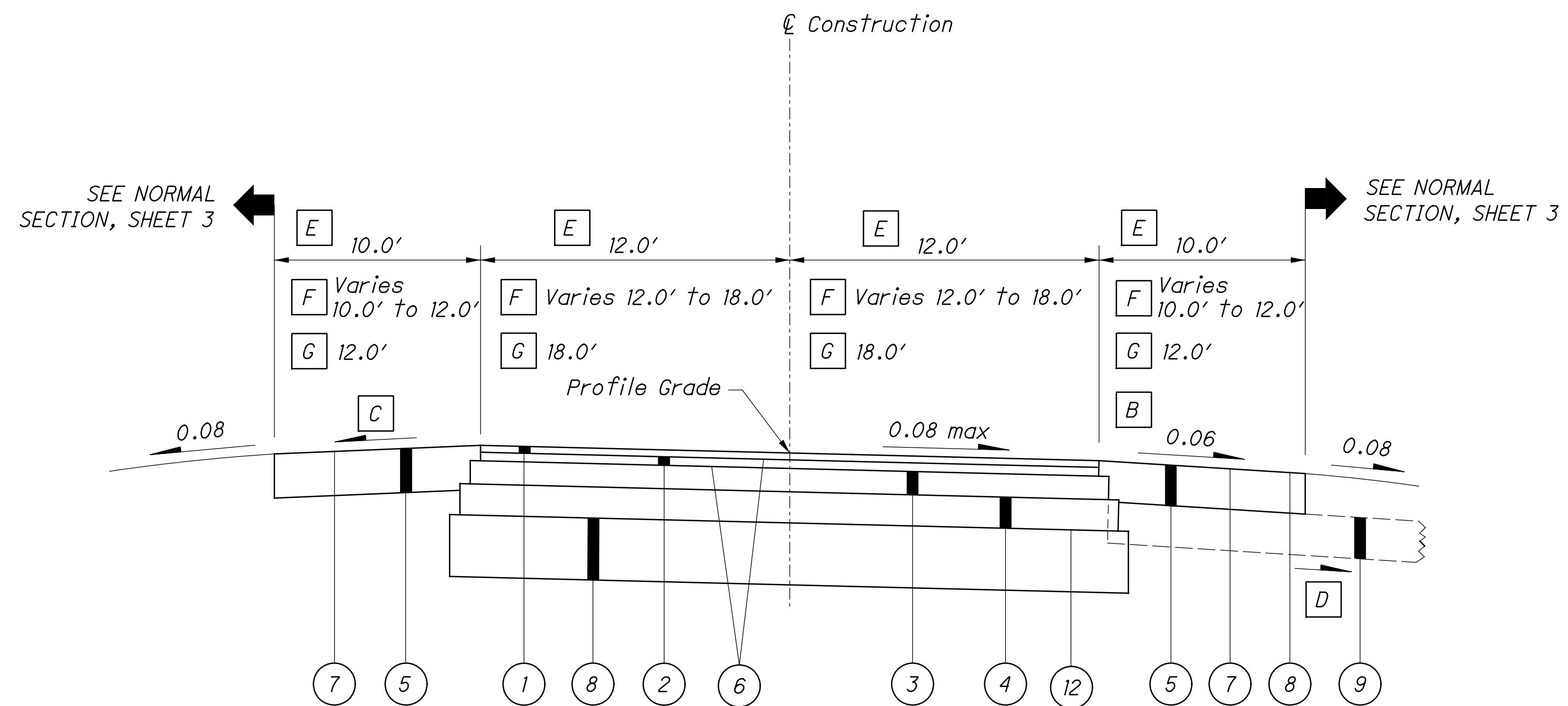


SHOULDER DETAIL
For pavement slopes greater than 0.010



SUPERELEVATED SECTION - U.S. 46

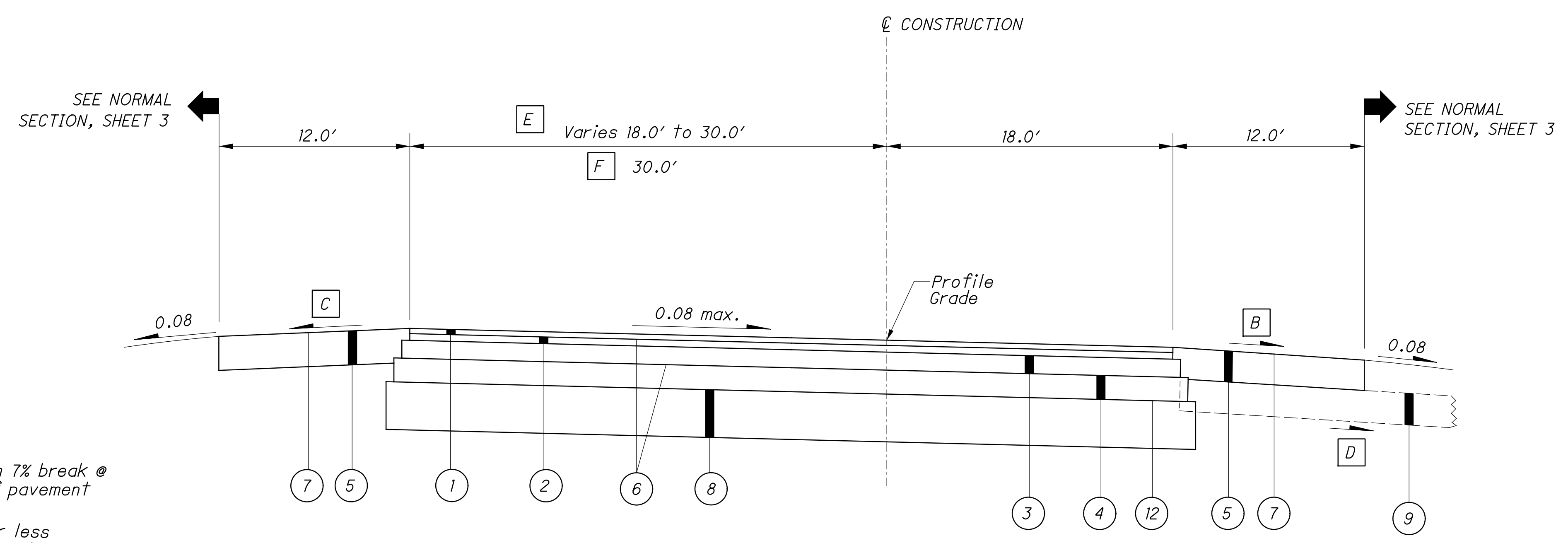
Sta. 642+81.37 to Sta. 649+00.00



SUPERELEVATED SECTION - U.S. 46

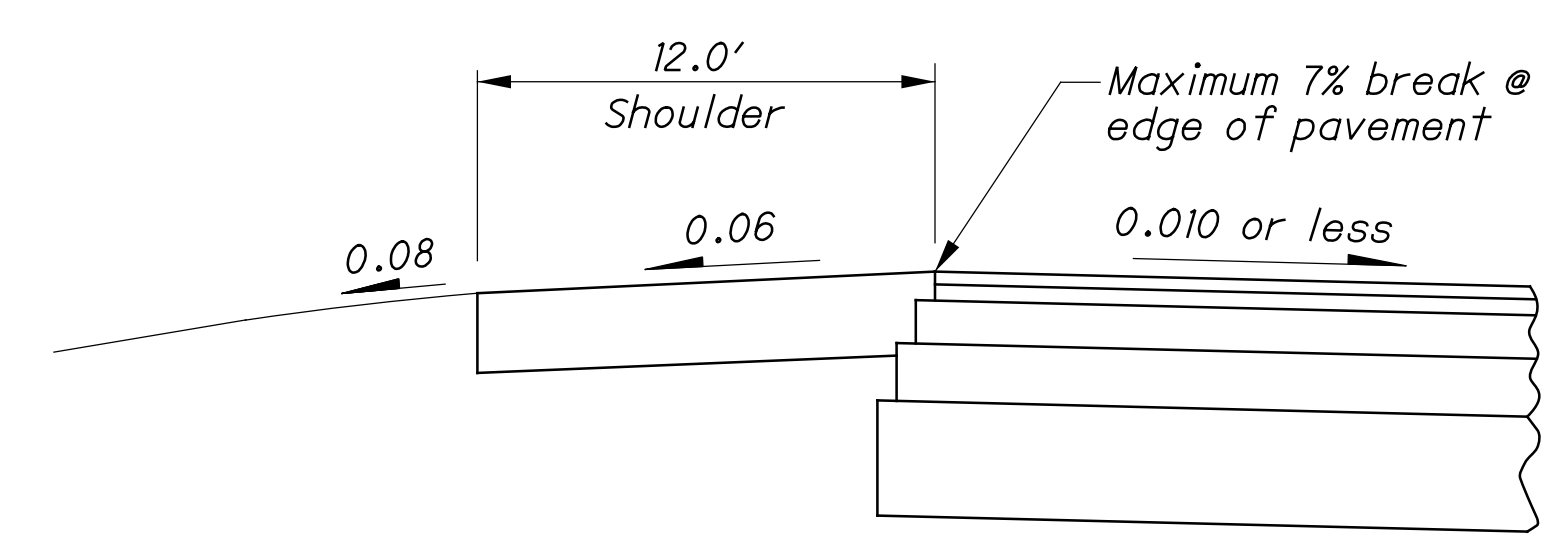
- A Same slope as pavement
- B Or pavement slope whichever is greater
- C For high side shoulder slopes on superelevated sections see shoulder details, this sheet.
- D 0.04 Min., 0.08 Desirable
- E Sta. 649+00.00 to Sta. 651+45.03
- F Sta. 651+45.03 to Sta. 654+75.03
- G Sta. 654+75.03 to Sta. 658+77.85

STA. 656+57.63 TO STA. 658+77.85, SEE INTERSECTION DETAIL ON SHEET 39.
SEE INTERSECTION DETAIL, SHEET 39.
FOR PAVEMENT LEGEND, SEE SHEET 3.
FOR BASE AND SUBBASE STEP DETAIL, SEE SHEET 3.

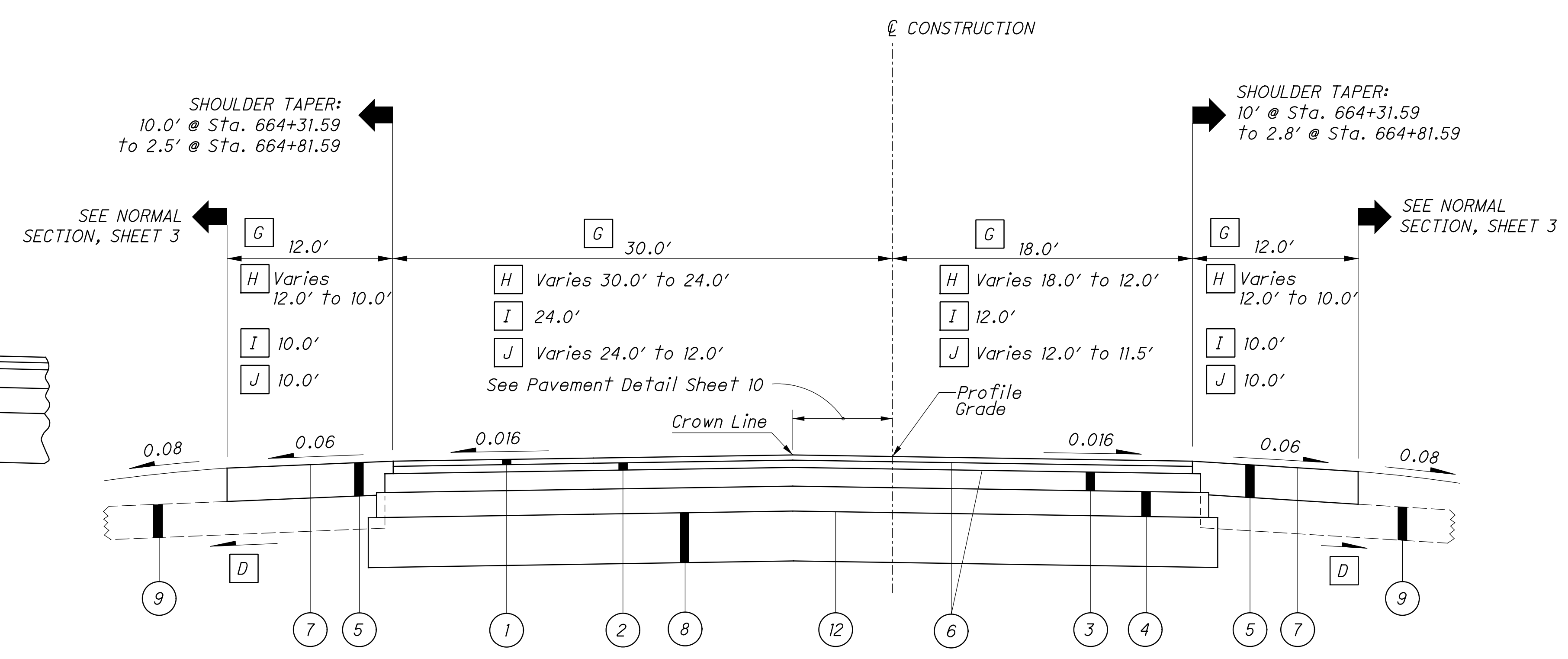


SUPERELEVATED SECTION - U.S. 46

E STA. 658+77.85 TO STA. 659+27.03
F STA. 659+27.03 TO STA. 660+20.37

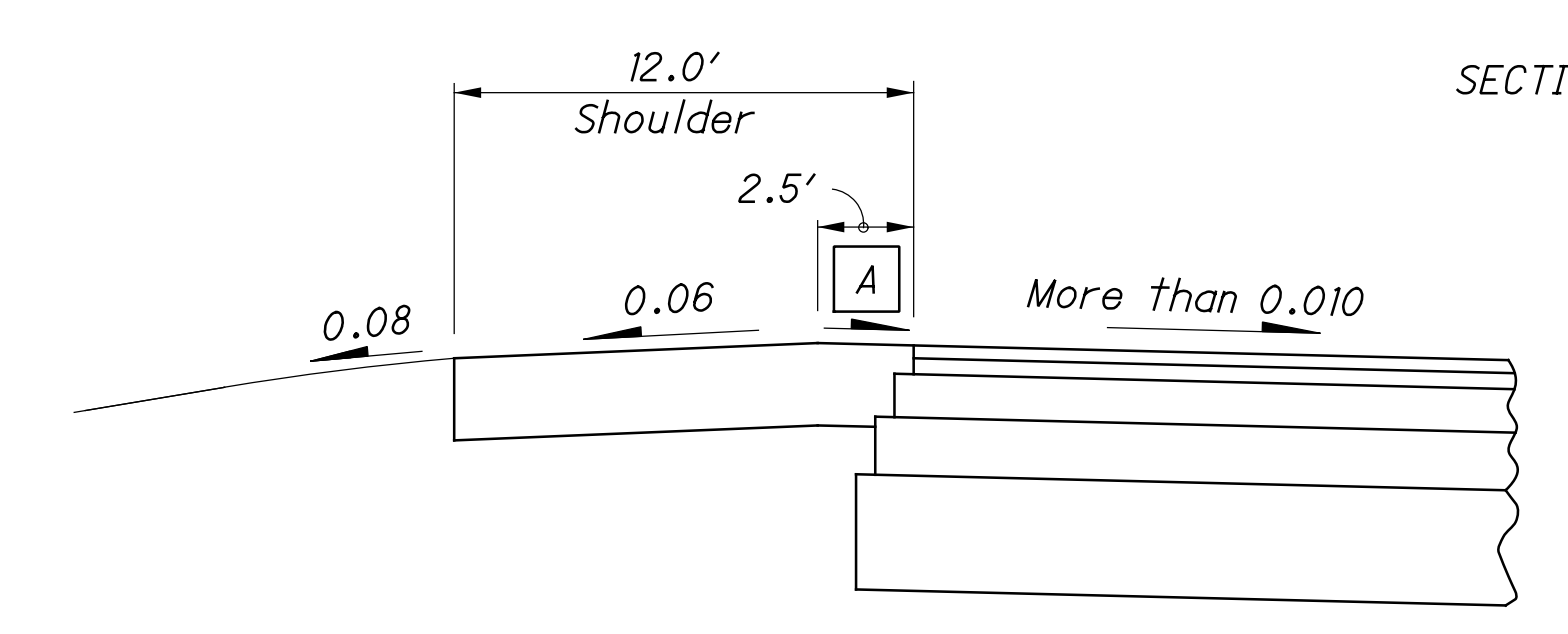


SHOULDER DETAIL
For pavement slopes of 0.010 or less



NORMAL SECTION - U.S. 46

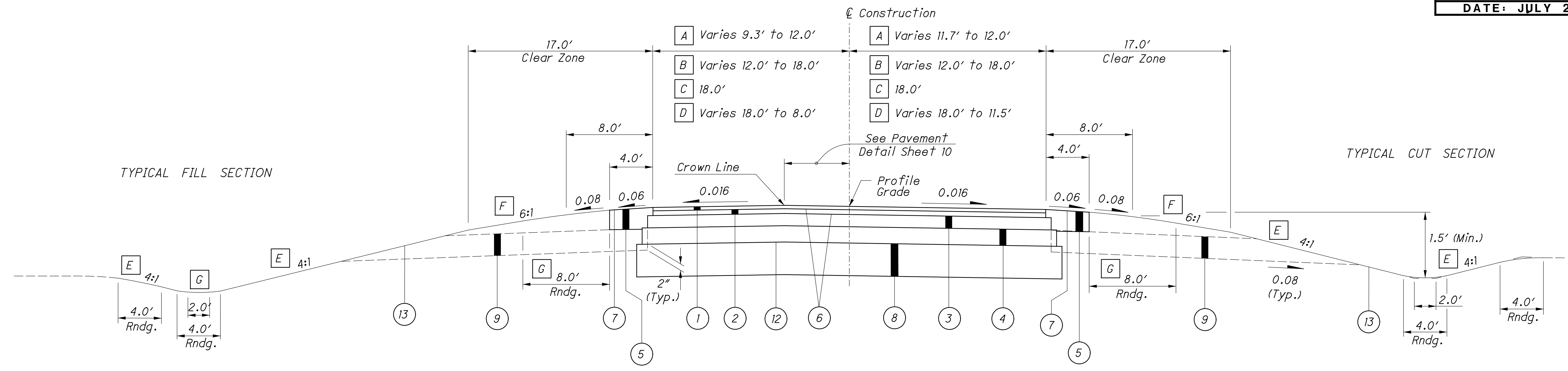
G STA. 660+20.37 TO STA. 660+51.59
H STA. 660+51.59 TO STA. 663+81.59
I STA. 663+81.59 TO STA. 664+31.59
J STA. 664+31.59 TO STA. 664+81.59



SHOULDER DETAIL
For pavement slopes of more than 0.010

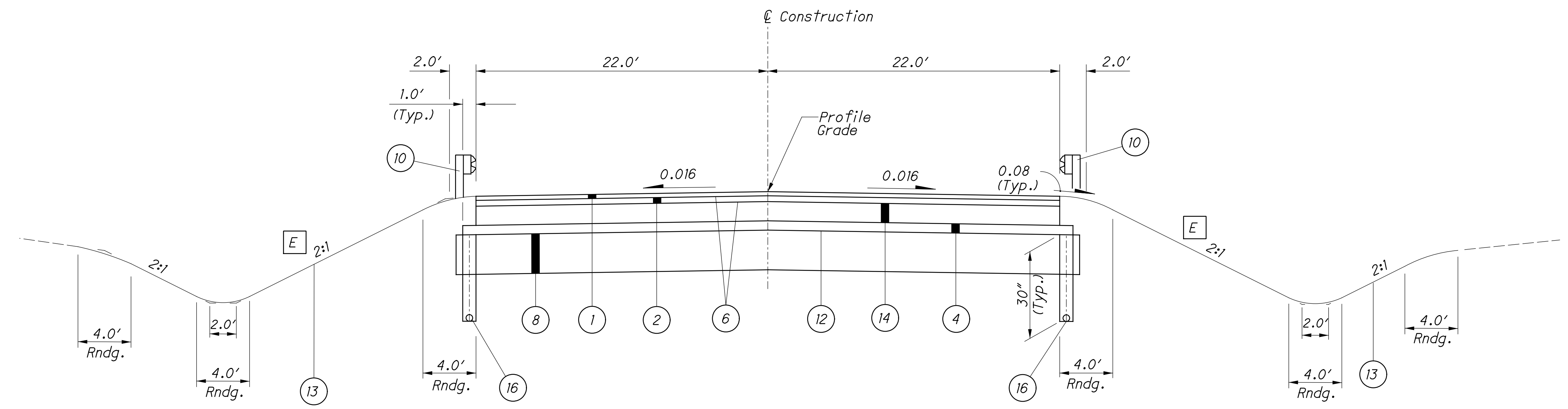
- A** SAME SLOPE AS PAVEMENT
- B** 0.06 OR SAME SLOPE AS PAVEMENT WHICHEVER IS GREATER
- C** FOR HIGH SIDE SHOULDER SLOPES ON SUPERELEVATED SECTIONS SEE SHOULDER DETAILS, THIS SHEET.
- D** 0.04 MIN., 0.08 DESIRABLE

FOR PAVEMENT LEGEND SEE SHEET 3.
FOR BASE AND SUBBASE STEP DETAIL SEE SHEET 3.



NORMAL SECTION - ARLINGTON ROAD

- A** Sta. 21+00.00 to Sta. 21+37.83
- B** Sta. 21+37.83 to Sta. 24+37.83
- C** Sta. 24+37.83 to Sta. 29+05.61
Sta. 31+26.68 to Sta. 31+44.41
- D** Sta. 31+44.41 to Sta. 34+25.00



APPROACH SLAB TYPICAL SECTION - U.S. 46

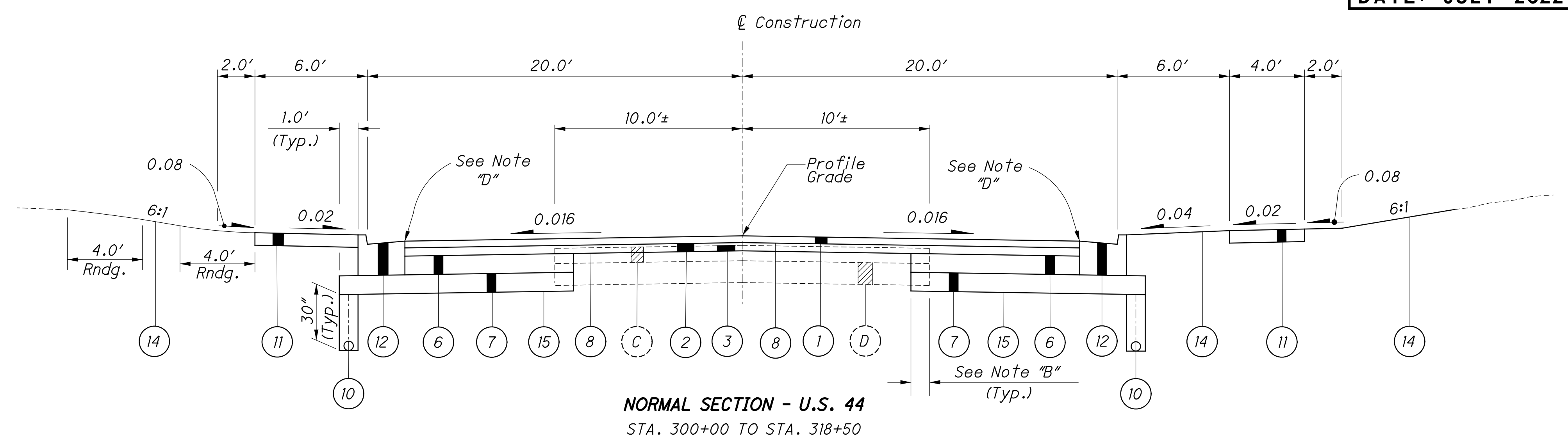
STRUCTURE PIC-46-1209 = Sta. 638+22.44 to Sta. 640+48.86
Sta. 638+47.44 to Sta. 640+23.86

- E** Unless otherwise shown on Cross Sections
- F** Foreslope may vary in pavement transition areas at extreme ends of pavement work; See Cross Sections.
- G** No rounding is required when foreslope is 6:1 or flatter.

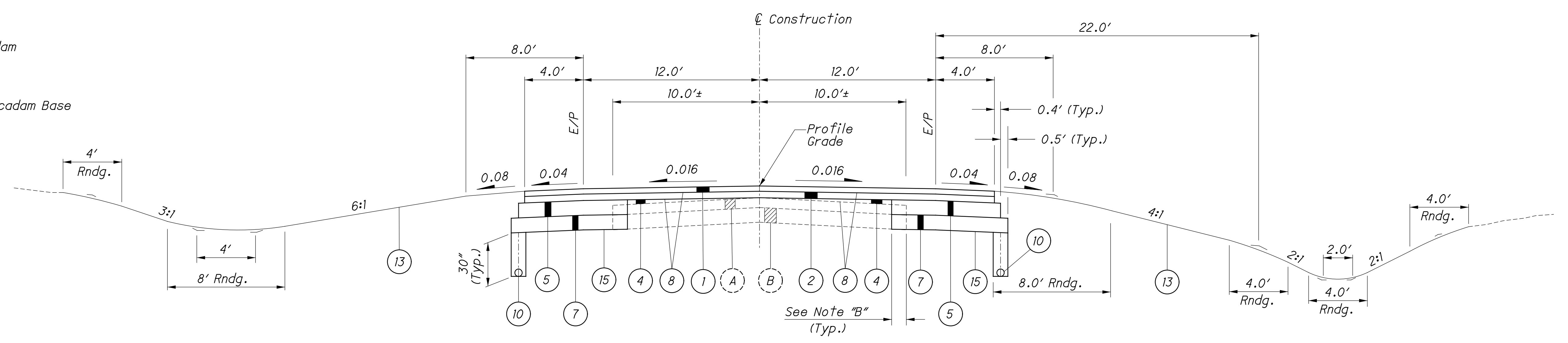
FOR PAVEMENT LEGEND SEE SHEET 3.
FOR BASE AND SUBBASE STEP DETAIL, SEE SHEET 3.

LEGEND

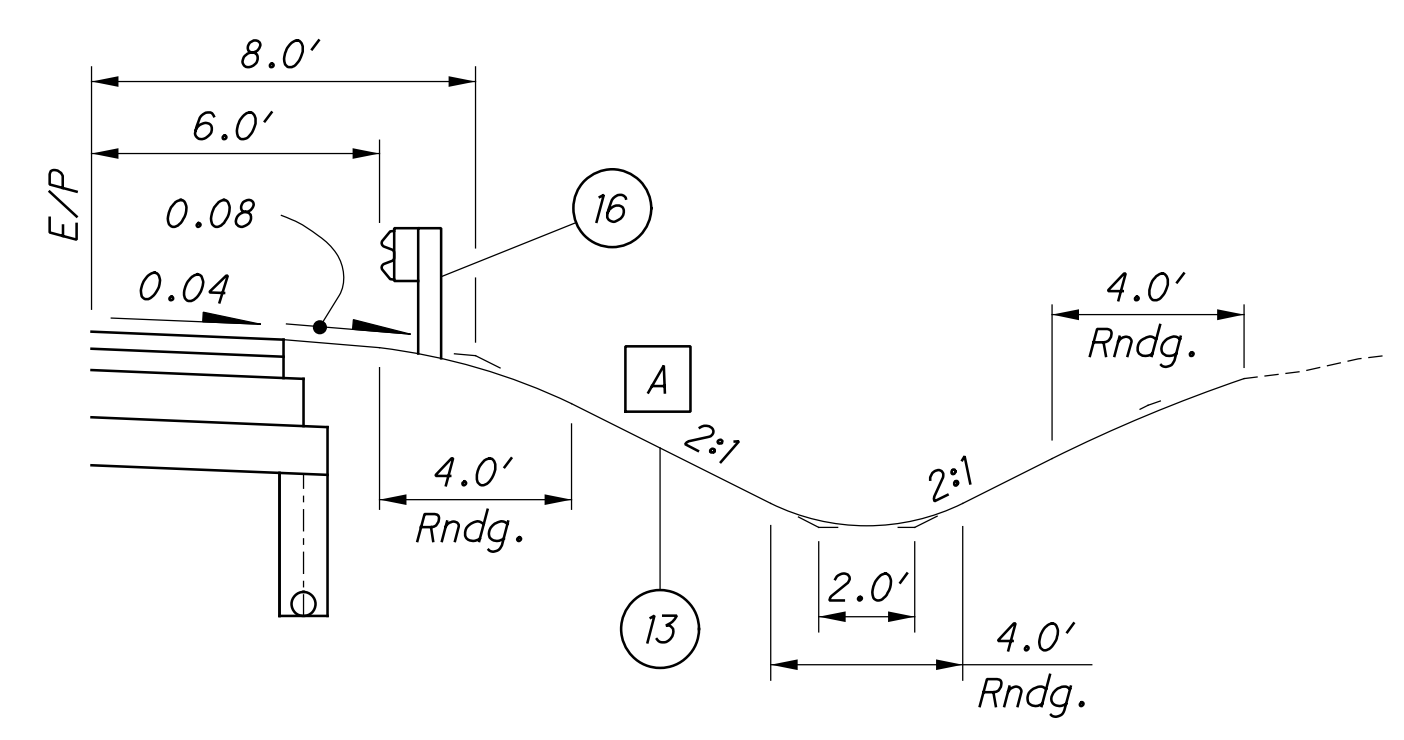
- ① ITEM 441 - 1 1/4" Asphalt Concrete Surface Course, Type 1, (448), PG64-22
- ② ITEM 441 - 1 3/4" Asphalt Concrete Intermediate Course, Type 2, (448)
- ③ ITEM 254 - Pavement Planing, Asphalt Concrete (See Note "A")
- ④ ITEM 441 - 0" Min. Asphalt Concrete Intermediate Course, Type 1, (448) (See Note "C")
- ⑤ ITEM 301 - 5" Asphalt Concrete Base, PG64-22
- ⑥ ITEM 301 - 6" Asphalt Concrete Base, PG64-22
- ⑦ ITEM 304 - 6" Aggregate Base
- ⑧ ITEM 407 - Tack Coat
- ⑨ Not Used
- ⑩ ITEM 605 - 6" Shallow Pipe Underdrains
- ⑪ ITEM 608 - 4" Concrete Walk
- ⑫ ITEM 609 - Combination Curb and Gutter, Type 2
- ⑬ ITEM 659 - Seeding and Mulching
- ⑭ ITEM 660 - Sodding Unstaked
- ⑮ ITEM 204 - Subgrade Compaction
- ⑯ ITEM 606 - Guardrail, Type MGS
- Ⓐ 5"± Asphalt Concrete
- Ⓑ 5"± Waterbound Macadam
- Ⓒ 4"± Asphalt Concrete
- Ⓓ 6"± Dense Asphalt Macadam Base



NORMAL SECTION - U.S. 44
 STA. 300+00 TO STA. 318+50



NORMAL SECTION - S.R. 106
 STA. 621+35 TO STA. 640+50



GUARDRAIL DETAIL - S.R. 106

SECTION APPLIES :
 Sta. 635+50 to Sta. 637+75 Rt.

Ⓐ Unless otherwise shown on the cross sections

NOTE "A"
 Pavement planing shall be a constant depth of 1" at the $\text{\textcircled{C}}$ of Construction with a uniform cross slope of 0.016 established. Maximum depth of planing at the outside edges of existing pavement has been calculated to be 2 1/2".

NOTE "B"
 For estimating purposes, Item 202 - Pavement Removed calculations included in the plan indicate an average width of 1 ft. of existing pavement being replaced.

NOTE "C"
 Item 441, Asphalt Concrete Intermediate Course, Type 1, (448), is to be used as a leveling course to establish a 0.016 cross slope. Estimated quantities have been calculated based on exaggerated cross-sections shown on sheets 51-58.

NOTE "D"
 Item 441, Asphalt Concrete Surface Course, Type 1, (448), PG64-22, is to be 1/4" above gutter plate.

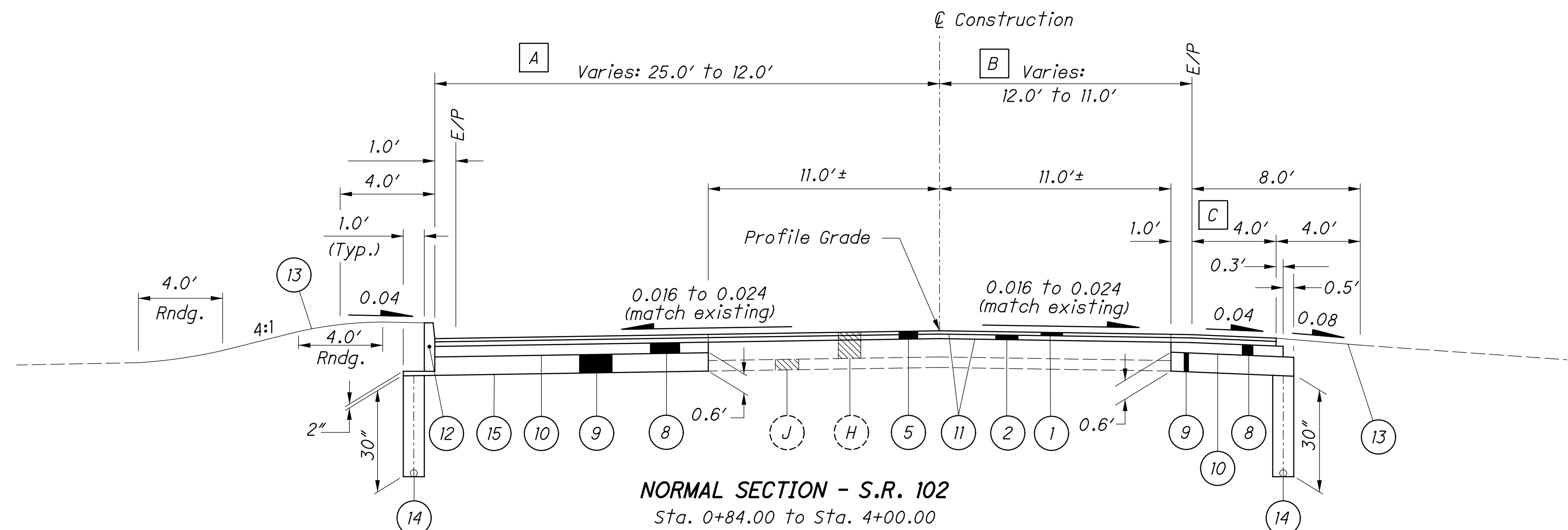
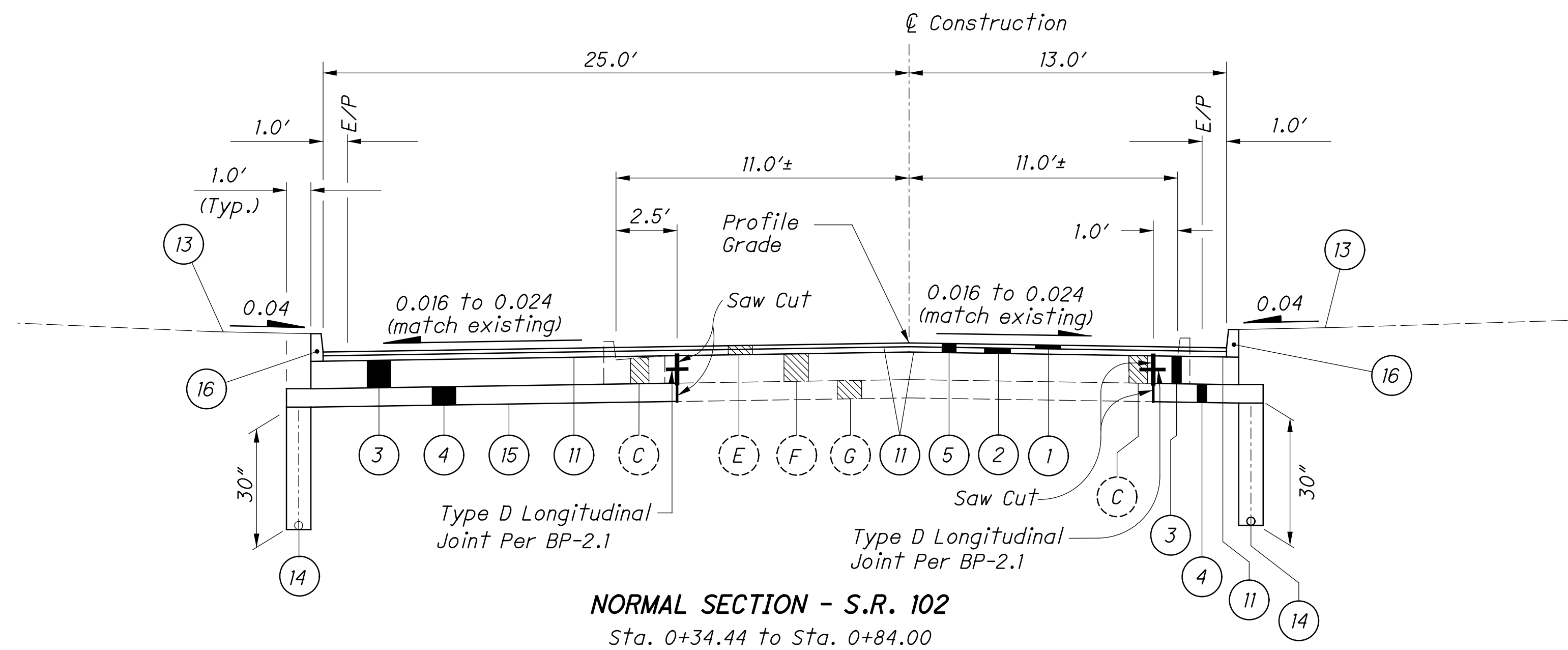
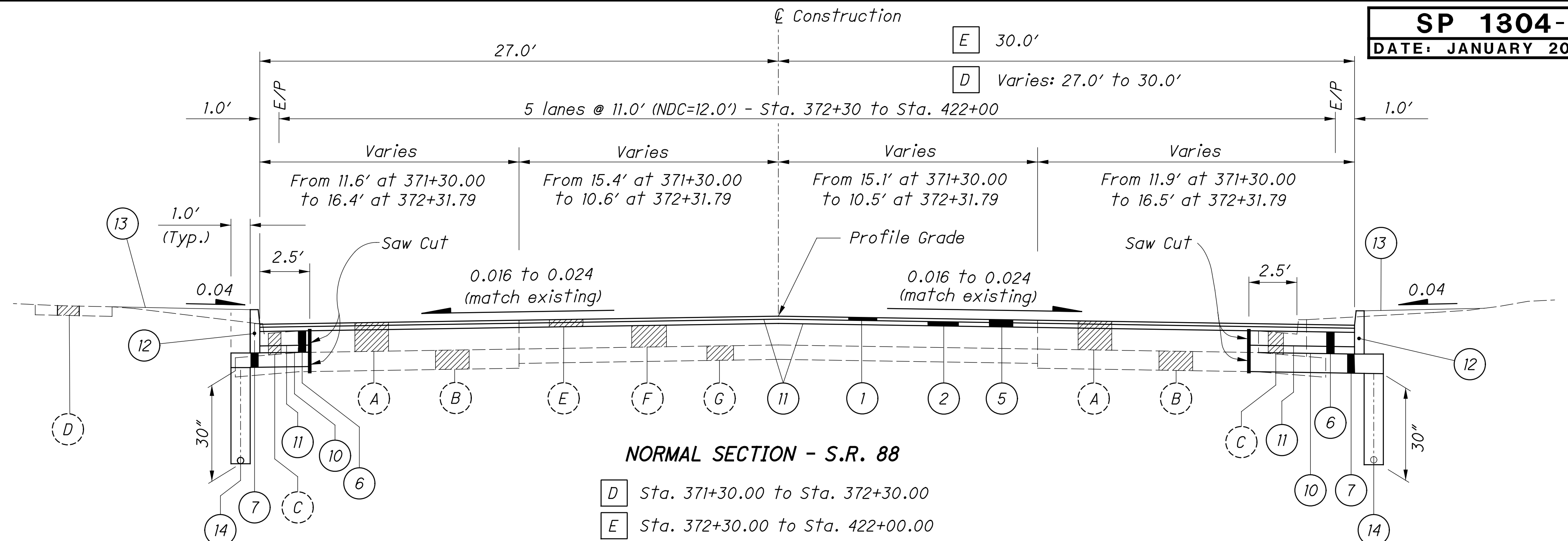
pw:\ohiodot-pw\Documents\03_Standards\Sample_Plans\SP1304-2_2022-01.dgn Sheet 5/13/2022 10:13:24 AM tpetros

LEGEND

- ① ITEM 441 - 1 1/4" Asphalt Concrete Surface Course, Type 1, (448), PG64-22
- ② ITEM 441 - 1 3/4" Asphalt Concrete Intermediate Course, Type 2, (448)
- ③ ITEM 305 - 9" Concrete Base, Class QC IP, As Per Plan
- ④ ITEM 304 - 6" Aggregate Base
- ⑤ ITEM 254 - Pavement Planing, Asphalt Concrete (Max. Depth=3")
- ⑥ ITEM 301 - 9" Asphalt Concrete Base, PG64-22
- ⑦ ITEM 304 - 9" Aggregate Base
- ⑧ ITEM 301 - 4" Asphalt Concrete Base, PG64-22
- ⑨ ITEM 304 - Aggregate Base, Depth as shown
- ⑩ ITEM 408 - Prime Coat (Applied At The Rate Of 0.4 Gal/Sq. Yd.)
- ⑪ ITEM 407 - Tack Coat
- ⑫ ITEM 609 - Curb, Type 6
- ⑬ ITEM 660 - Sodding Unstaked
- ⑭ ITEM 605 - 6" Shallow Pipe Underdrains
- ⑮ ITEM 204 - Subgrade Compaction
- ⑯ ITEM 609 - Curb, Type 2-B

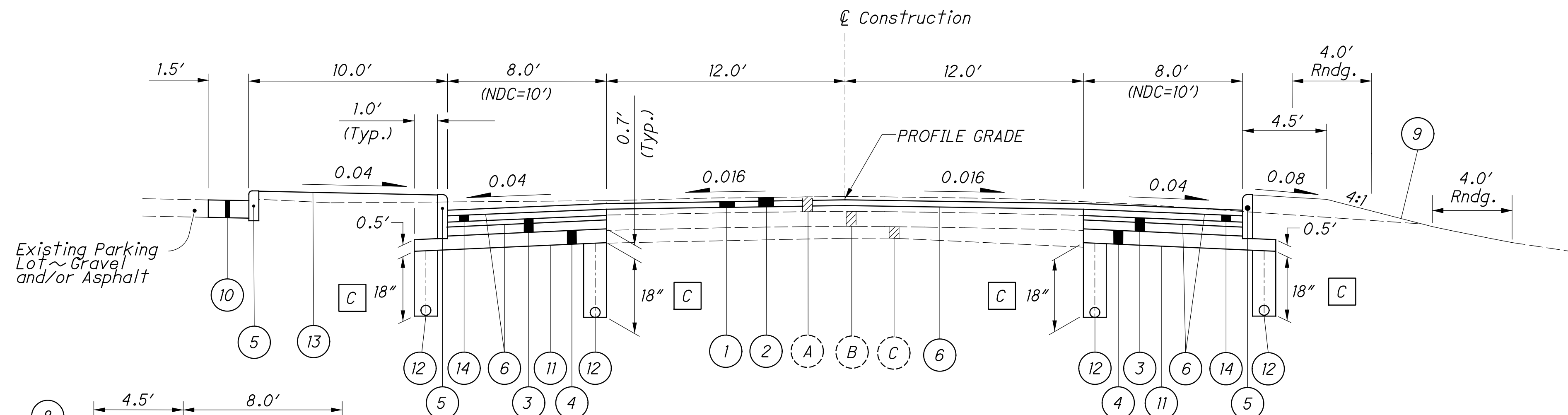
- (A) 12" ± Asphalt
- (B) 8" ± Subbase
- (C) Curb & Gutter
- (D) 4" Concrete Sidewalk
- (E) 3" ± Asphalt
- (F) 9" ± Reinforced Concrete
- (G) 6" ± Subbase
- (H) 10" ± Asphalt
- (J) 4" ± Subbase

- [A] 25'-0" From Sta. 0+84 to Sta. 3+50
Varies: 25'-0" @ Sta. 3+50 to 12' @ Sta. 4+00
- [B] 12'-0" From Sta. 0+84 to Sta. 3+50
Varies: 12'-0" @ Sta. 3+50 to 11'-0" @ Sta. 4+00
- [C] Varies: 4' @ Sta. 3+50 to 2' @ Sta. 4+00

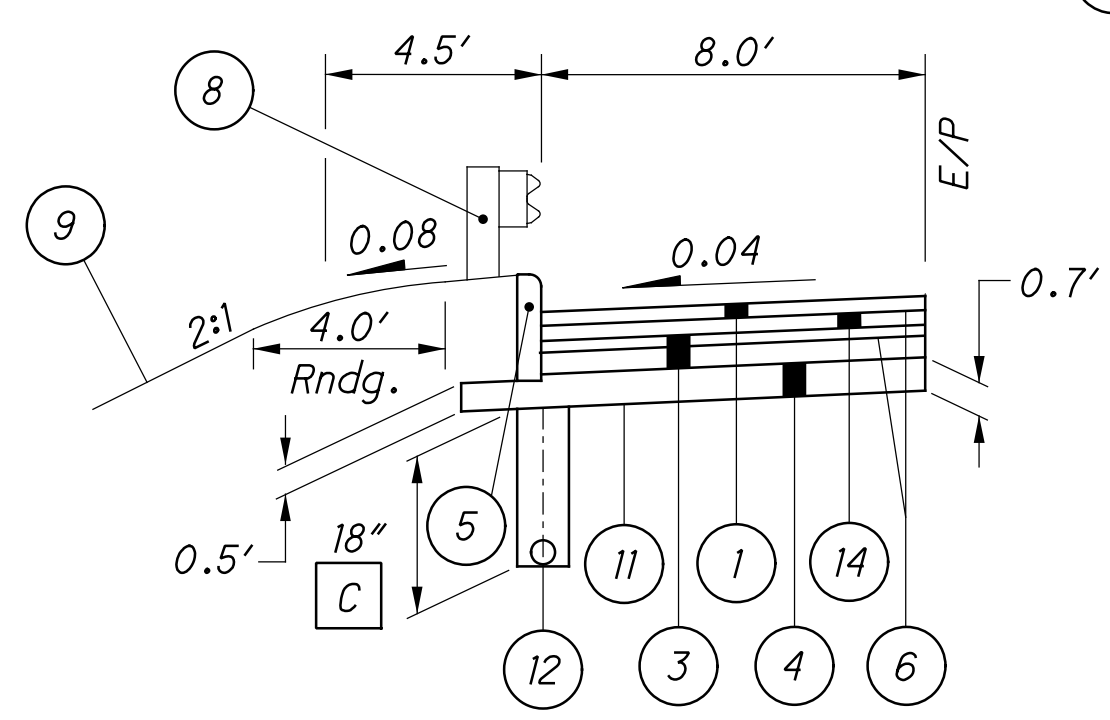


S.R. 307 PAVEMENT PLANING TABLES

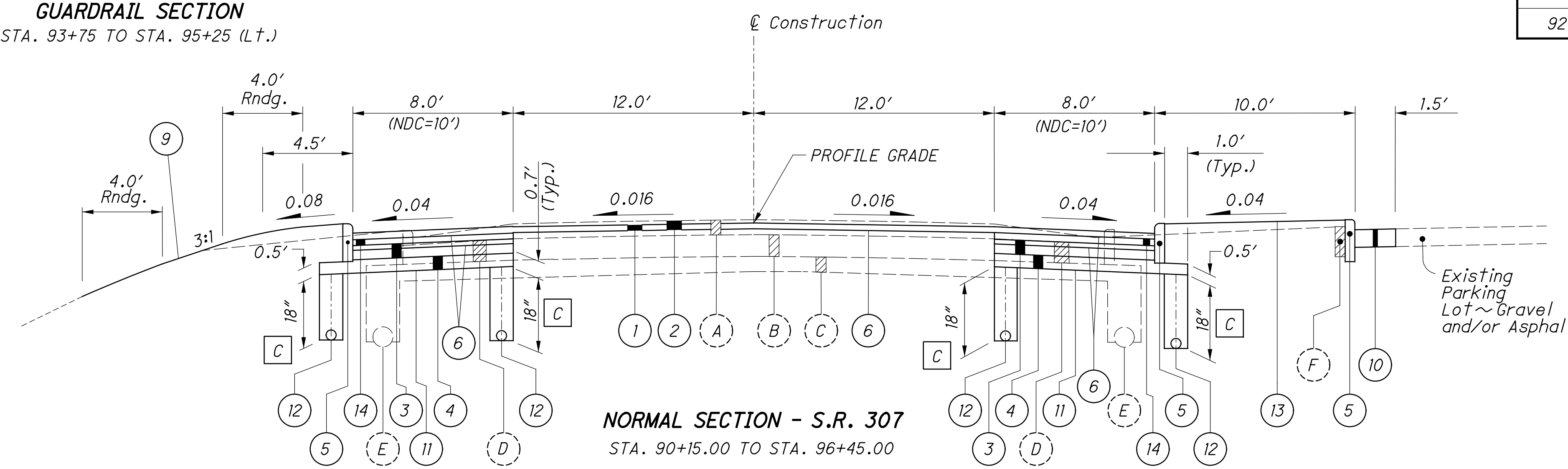
STATION	PROPOSED PROFILE ELEVATION	PLANING DEPTH (FEET) @ ϵ	STATION	PROPOSED PROFILE ELEVATION	PLANING DEPTH (FEET) @ ϵ
88+50	1094.08	0.17	92+75	1095.26	0.27
88+75	1094.17	0.15	93+00	1095.28	0.19
89+00	1094.26	0.16	93+25	1095.32	0.20
89+25	1094.34	0.19	93+50	1095.36	0.21
89+50	1094.43	0.20	93+75	1095.41	0.22
89+75	1094.52	0.19	94+00	1095.46	0.24
90+00	1094.61	0.21	94+25	1095.51	0.28
90+25	1094.69	0.20	94+50	1095.56	0.38
90+50	1094.78	0.18	94+75	1095.61	0.34
90+75	1094.87	0.18	95+00	1095.66	0.26
91+00	1094.96	0.18	95+25	1095.71	0.17
91+25	1095.04	0.17	95+50	1095.69	0.16
91+50	1095.13	0.17	95+75	1095.67	0.15
91+75	1095.16	0.18	96+00	1095.65	0.14
92+00	1095.18	0.20	96+25	1095.63	0.15
92+25	1095.21	0.23	96+50	1095.61	0.16
92+50	1095.23	0.28			



NORMAL SECTION - S.R. 307
STA. 88+75.00 TO STA. 90+15.00



GUARDRAIL SECTION
STA. 93+75 TO STA. 95+25 (L.T.)



NORMAL SECTION - S.R. 307
STA. 90+15.00 TO STA. 96+45.00

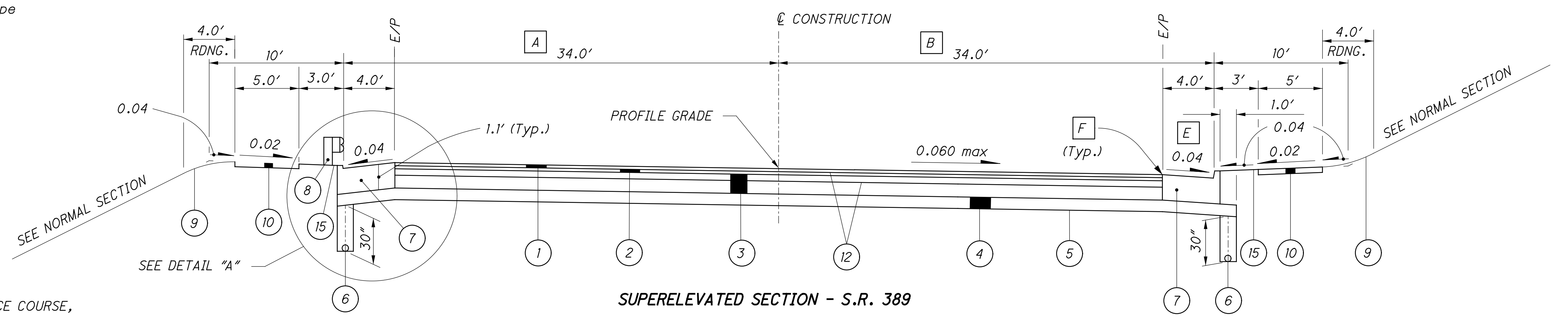
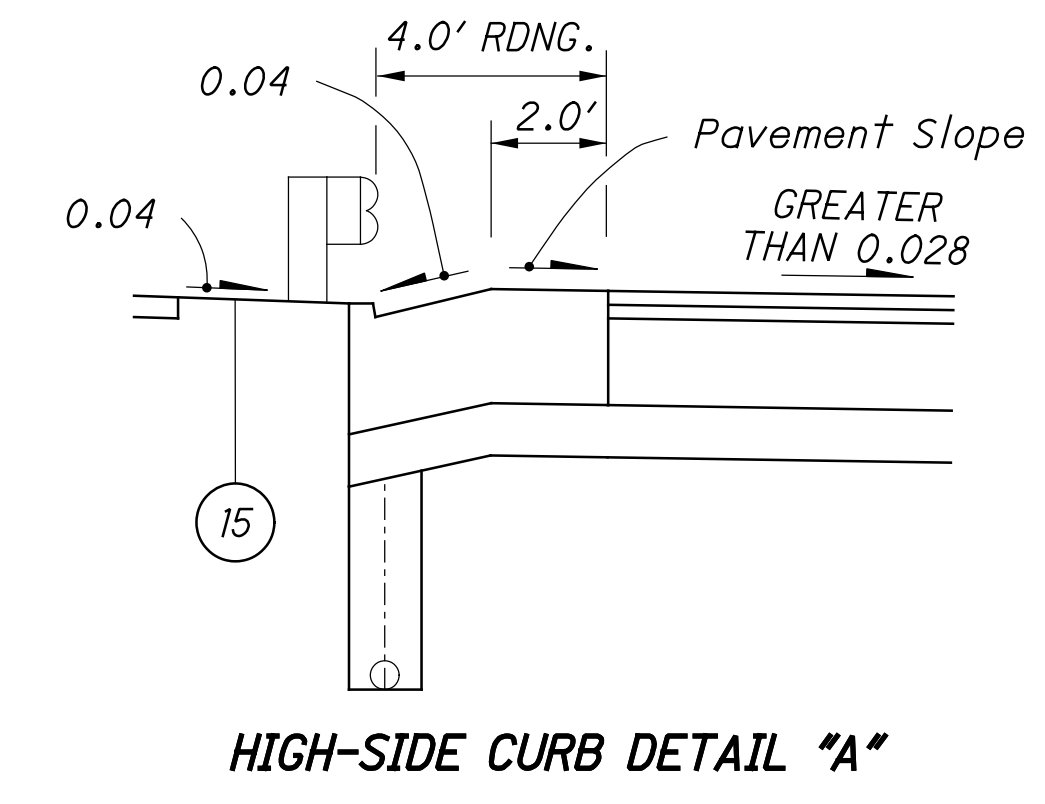
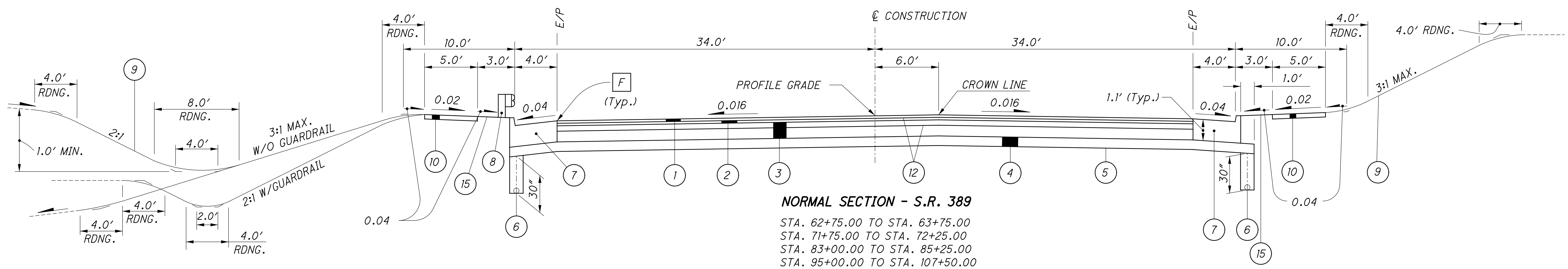
LEGEND

- | | |
|---|---|
| ① ITEM 441 - 1 1/2" ASPHALT CONCRETE SURFACE COURSE, TYPE 1, (448), PG64-22 | ⑧ ITEM 606 - GUARDRAIL, TYPE MGS |
| ② ITEM 254 - PAVEMENT PLANING, ASPHALT CONCRETE [A] | ⑨ ITEM 659 - SEEDING AND MULCHING (SEE GENERAL NOTE) |
| ③ ITEM 301 - 9" ASPHALT CONCRETE BASE, PG64-22 | ⑩ SEE PAVEMENT BUILDUP NOTE, THIS SHEET [B] |
| ④ ITEM 304 - AGGREGATE BASE, DEPTH AS SHOWN | ⑪ ITEM 204 - SUBGRADE COMPACTION |
| ⑤ ITEM 609 - CURB, TYPE 6 | ⑫ ITEM 605 - 6" BASE PIPE UNDERDRAINS |
| ⑥ ITEM 407 - TACK COAT | ⑬ ITEM 660 - SODDING UNSTAKED |
| ⑦ ITEM 408 - PRIME COAT (APPLIED AT THE RATE OF 0.4 GAL./SQ.YD.) | ⑭ ITEM 441 - 1 3/4" ASPHALT CONCRETE INTERMEDIATE COURSE, TYPE 2, (448) |
| Ⓐ 6" ASPHALT SURFACE | Ⓓ CURB & GUTTER (TO BE REMOVED) |
| Ⓑ 9" REINFORCED CONCRETE BASE | Ⓔ ROADWAY DRAINAGE, 12" (TO BE REMOVED) |
| Ⓒ 6" MIN. CLASSIFIED EMBANKMENT BLANKET COURSE | Ⓕ CURB (TO BE REMOVED) |

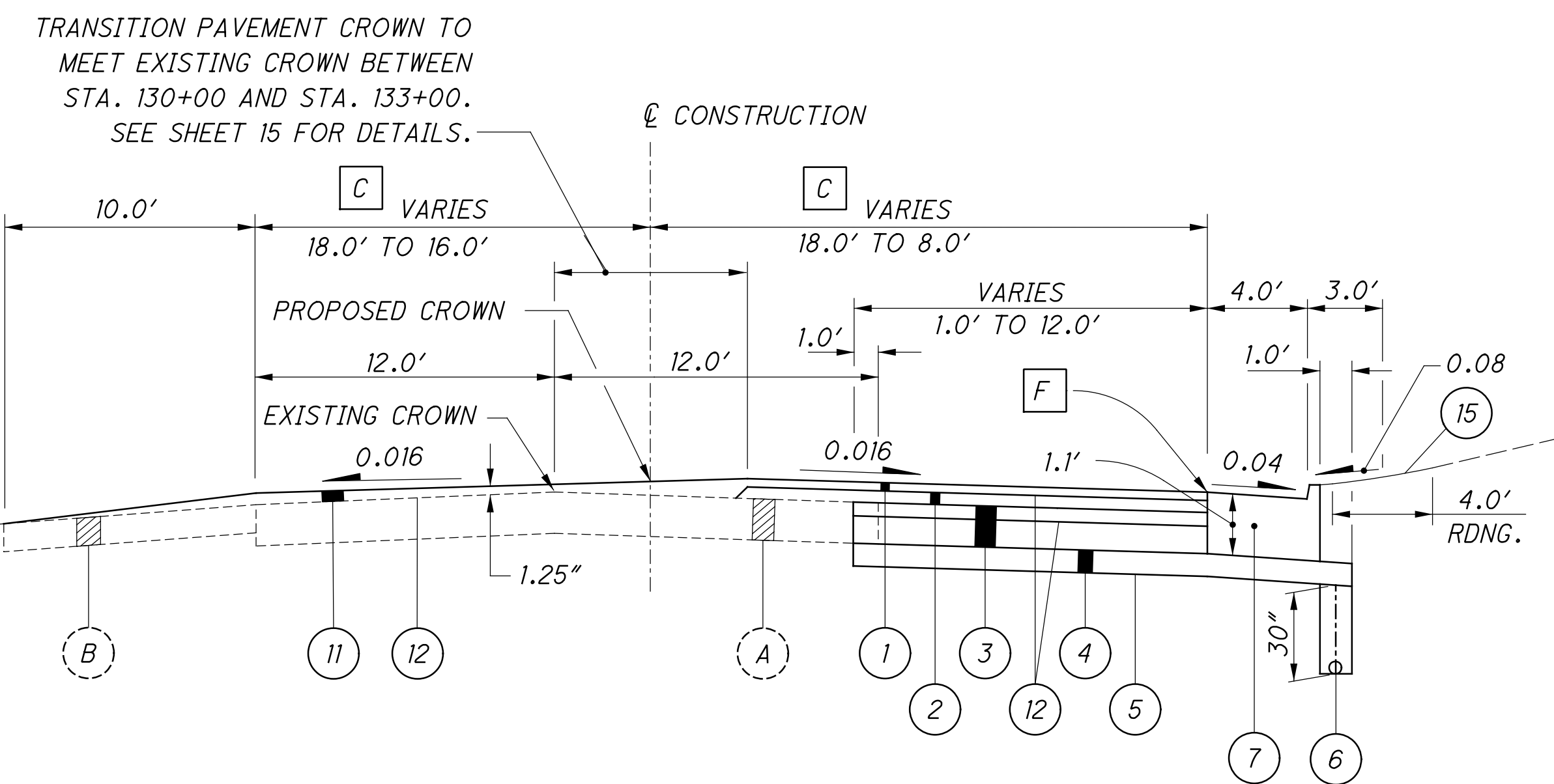
NOTES

- S.R. 307 - THE CROWN SHALL BE WORKED OUT OF THE PAVEMENT BETWEEN STA. 92+57.25 AND STA. 92+97.25.
- THE PAVEMENT BETWEEN STA. 92+97.25 AND STA. 94+02.25 SHALL BE BUILT WITHOUT CROWN.
- THE CROWN SHALL BE WORKED INTO THE PAVEMENT BETWEEN STA. 94+02.25 AND STA. 94+42.25.

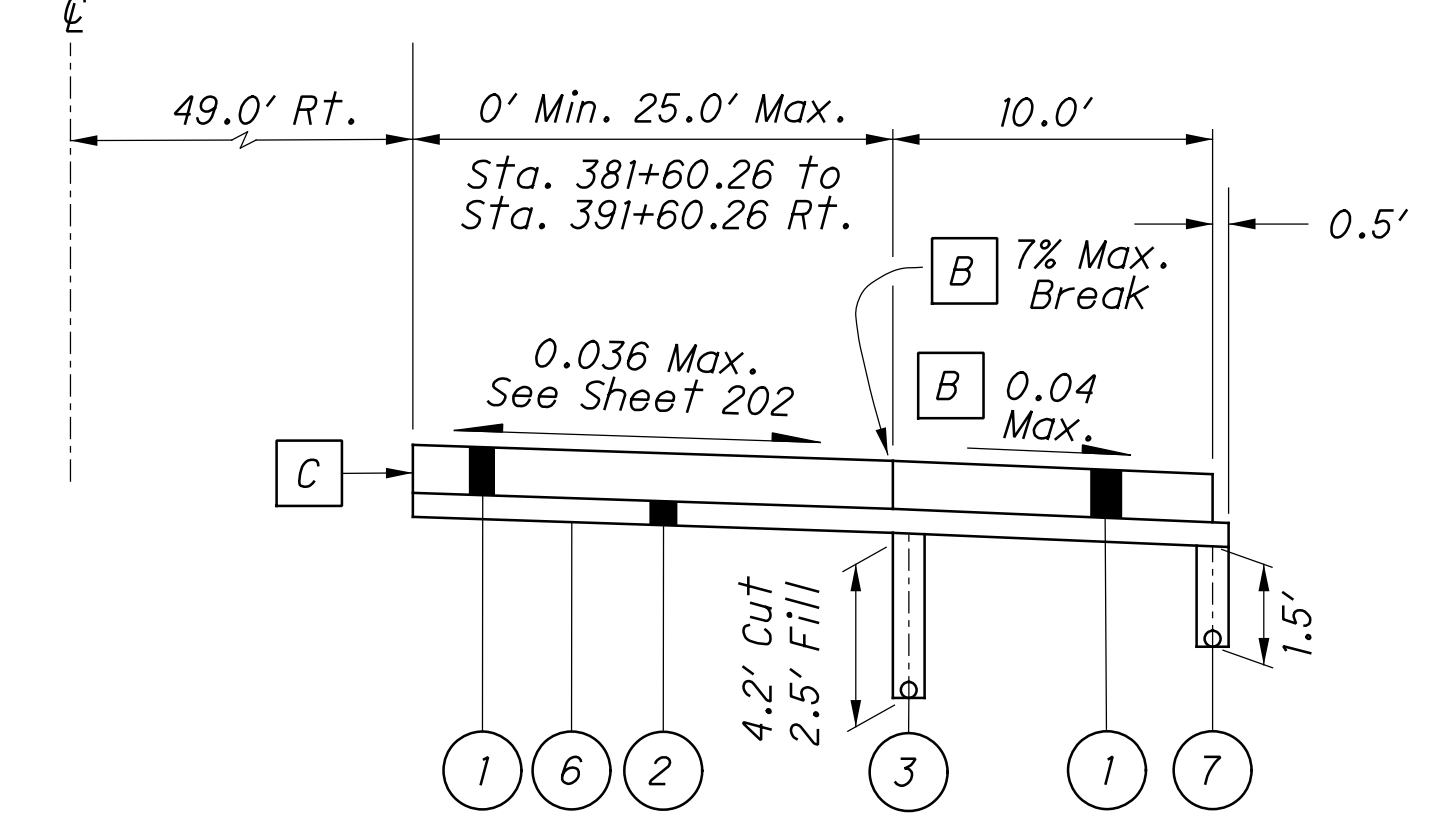
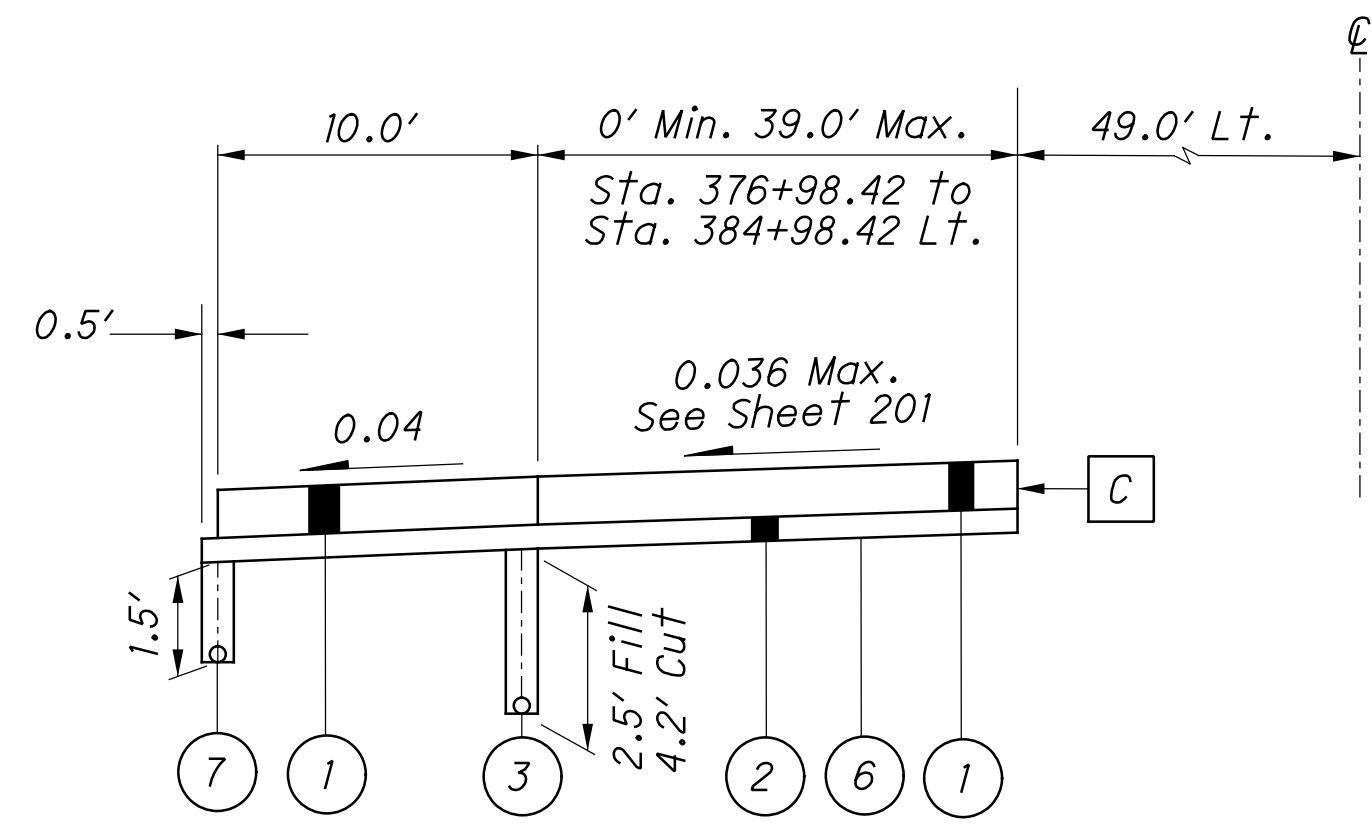
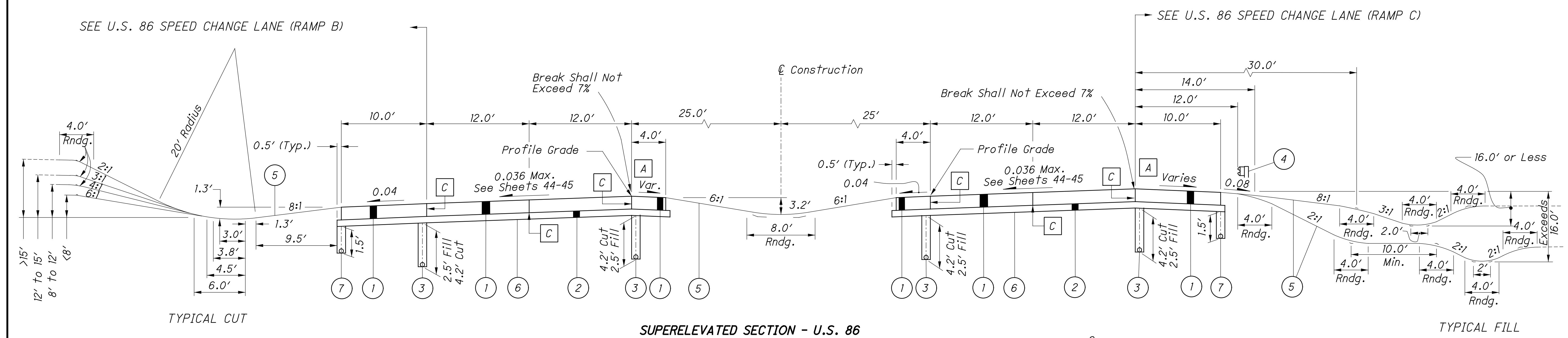
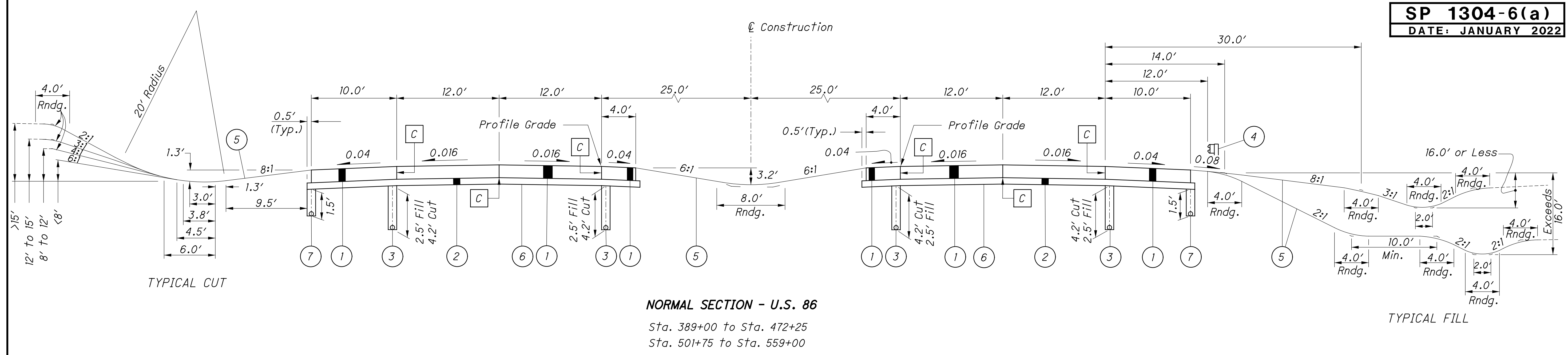
- [A] IN AN EFFORT TO REMOVE EXISTING PARABOLIC CROWN AND ESTABLISH A SMOOTH AND CONSISTENT PROFILE THROUGHOUT THE PROJECT, THE PAVEMENT SHALL BE PLANED TO A DEPTH INDICATED IN THE PAVEMENT PLANING TABLE ON THIS SHEET. A 0.016 NORMAL CROSS SLOPE SHALL BE ESTABLISHED FROM THE CENTERLINE TO THE EXISTING EDGE OF PAVEMENT.
- [B] THE PAVEMENT BUILD-UP WHEN ADJOINING AN EXISTING ASPHALT PAVEMENT SHALL BE AS FOLLOWS:
 ITEM 441 - 1/4" ASPHALT CONCRETE SURFACE COURSE, TYPE 1, (448), PG64-22
 ITEM 441 - 1 3/4" ASPHALT CONCRETE INTERMEDIATE COURSE, TYPE 2, (448)
 ITEM 304 - 8" AGGREGATE BASE
 THE PAVEMENT BUILD-UP WHEN ADJOINING AN EXISTING GRAVEL OR SLAG PARKING AREA SHALL BE AS FOLLOWS:
 ITEM 304 - 11" AGGREGATE BASE
- [C] UNCLASSIFIED UNDERDRAIN LIMITS:
 STA. 88+75 TO STA. 91+25 AND
 STA. 95+25 TO STA. 96+27.25



- LEGEND**
- ① ITEM 441 - 1 1/4" ASPHALT CONCRETE SURFACE COURSE, TYPE 1, (446), PG64-22
 - ② ITEM 441 - 1 3/4" ASPHALT CONCRETE INTERMEDIATE COURSE, TYPE 2, (446)
 - ③ ITEM 301 - 10" ASPHALT CONCRETE BASE, PG64-22
 - ④ ITEM 304 - 6" AGGREGATE BASE
 - ⑤ ITEM 204 - SUBGRADE COMPACTION
 - ⑥ ITEM 605 - 6" SHALLOW PIPE UNDERDRAINS [D]
 - ⑦ ITEM 609 - COMBINATION CURB AND GUTTER, TYPE 2, AS PER PLAN (SEE SHEET 9)
 - ⑧ ITEM 606 - GUARDRAIL, TYPE 5
 - ⑨ ITEM 659 - SEEDING AND MULCHING
 - ⑩ ITEM 608 - 4" CONCRETE WALK
 - ⑪ ITEM 441 - ASPHALT CONCRETE SURFACE COURSE, TYPE 1, (446), PG64-22 (VARIABLE THICKNESS)
 - ⑫ ITEM 407 - TACK COAT
 - ⑬ ITEM 408 - PRIME COAT (APPLIED AT THE RATE OF 0.4 GAL./SQ. YD.)
 - ⑭ NOT USED
 - ⑮ ITEM 660 - SODDING UNSTAKED
 - [A] 3" ± ASPHALT PAVEMENT OVER 10" ± AGGREGATE SUBBASE
 - [B] 8" ± DENSE ASPHALT



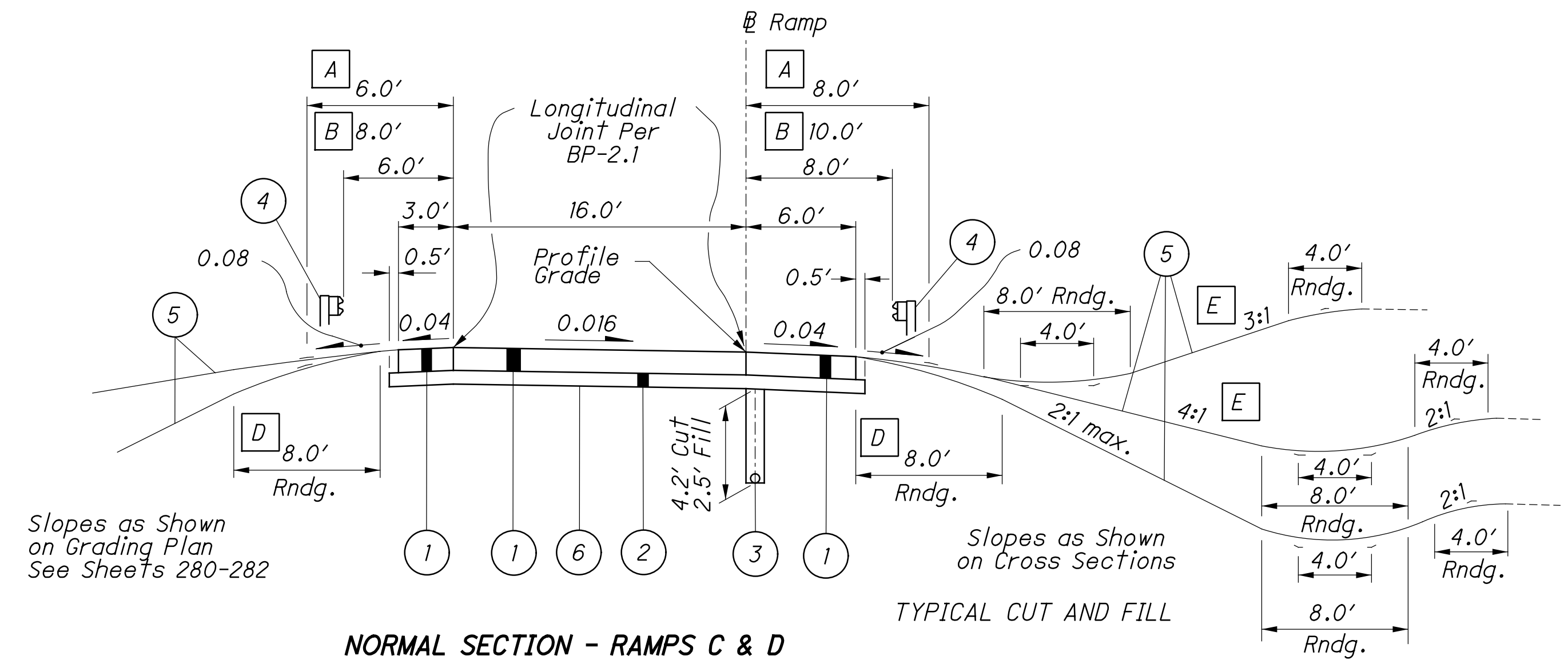
- NOTES:**
- FOR VARIABLE PAVEMENT WIDTHS AND SIDEWALK LIMITS, SEE PAVEMENT DETAILS, SHEETS 15 - 18.
 - [A] WIDTH VARIES FROM 34'-0" @ STA. 129+50 TO 22'-0" @ STA. 130+00 DUE TO RIGHT TURN LANE TAPER FROM 12' TO 0'
 - [B] WIDTH VARIES FROM 34'-0" @ STA. 124+60 TO 22'-0" @ STA. 130+00 DUE TO RIGHT THRU LANE TAPER FROM 12' TO 0'
 - [C] PAVEMENT WIDTH VARIES FROM 18'-0", LT. & RT. @ STA. 130+00 TO 16'-0" LT. AND 8'-0", RT. @ STA. 133+00 DUE TO LEFT TURN LANE TRANSITION
 - [D] EXCEPT IN AREAS OF GUARDRAIL SECTIONS, PIPE UNDERDRAINS SHALL BE LOCATED IMMEDIATELY BEHIND THE CURB.
 - [E] OR PAVEMENT SLOPE, IF GREATER
 - [F] ITEM 441, ASPHALT CONCRETE SURFACE COURSE, TYPE 1, (446), PG64-22, IS TO BE 1/4" ABOVE GUTTER PLATE.



- A** 0.04 Max. to 0.034 Min.
- B** Slope conditions shown for high side shoulder adjacent to speed change lane pavement; For low side of shoulders adjacent to speed change lane pavement, shoulder slope shall be 0.04.
- C** Longitudinal Joint Per BP-2.1

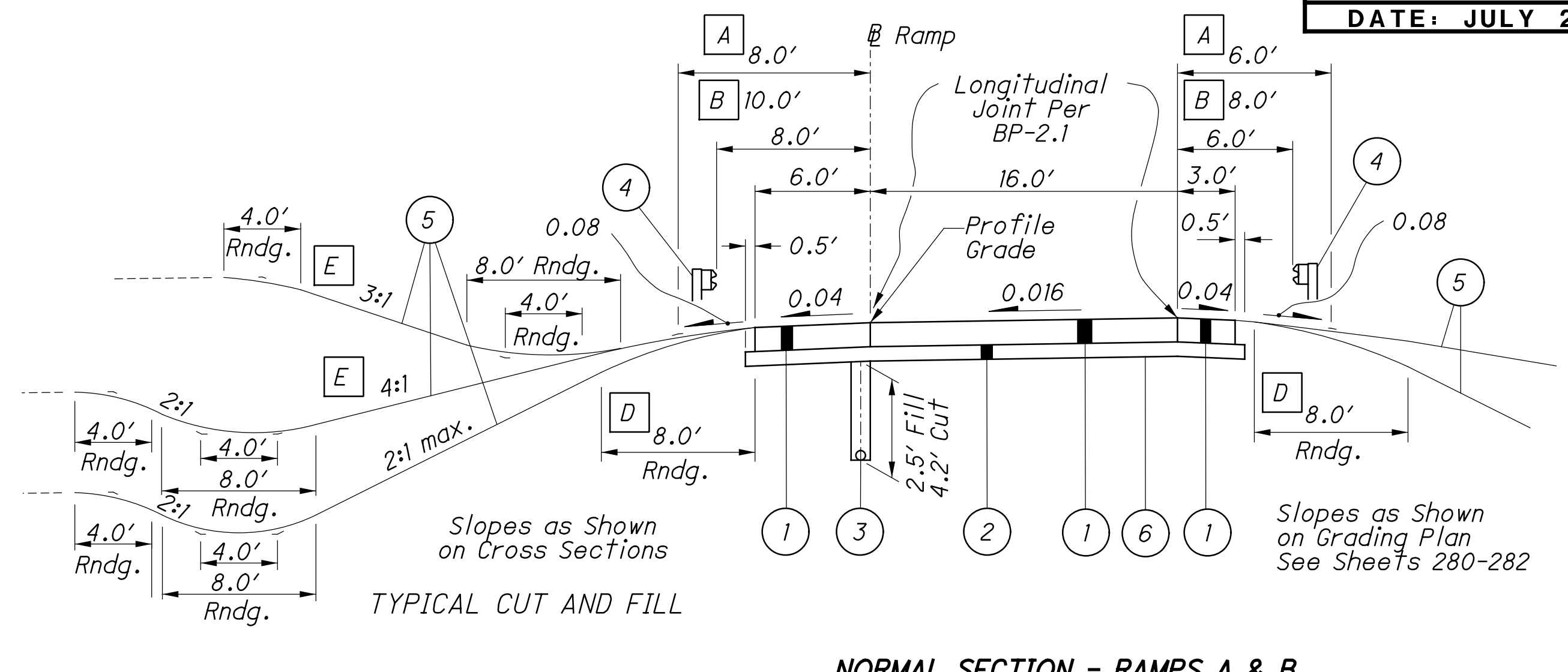
LEGEND

- ① ITEM 452 - 12" Non-Reinforced Concrete Pavement, Class QC IP
- ② ITEM 304 - 6" Aggregate Base
- ③ ITEM 605 - 6" Deep Pipe Underdrains
- ④ ITEM 606 - Guardrail, Type 5
- ⑤ ITEM 659 - Seeding and Mulching
- ⑥ ITEM 204 - Subgrade Compaction
- ⑦ ITEM 605 - 6" Base Pipe Underdrains



NORMAL SECTION - RAMPS C & D

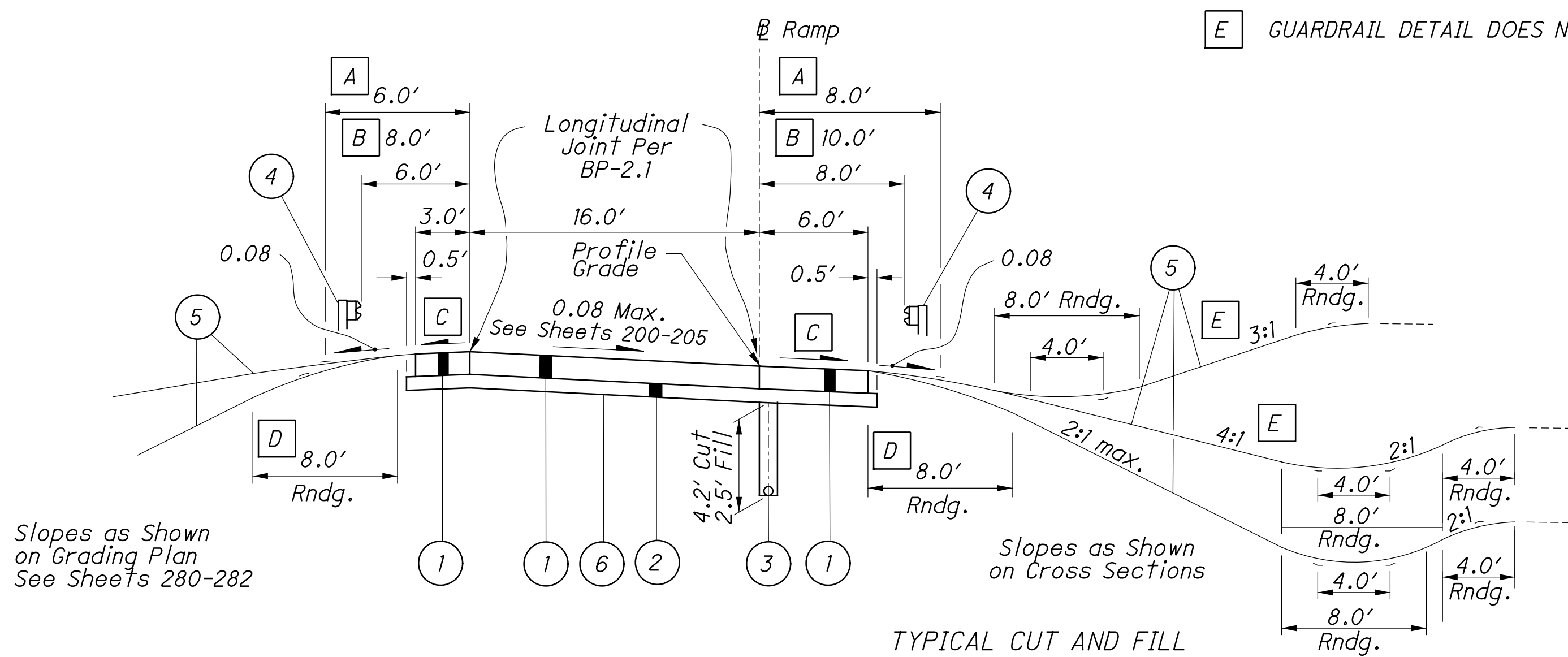
Sta. 465+49.13 to Sta. 477+25 Ramp C
Sta. 557+00 to Sta. 566+96.94 Ramp D



NORMAL SECTION - RAMPS A & B

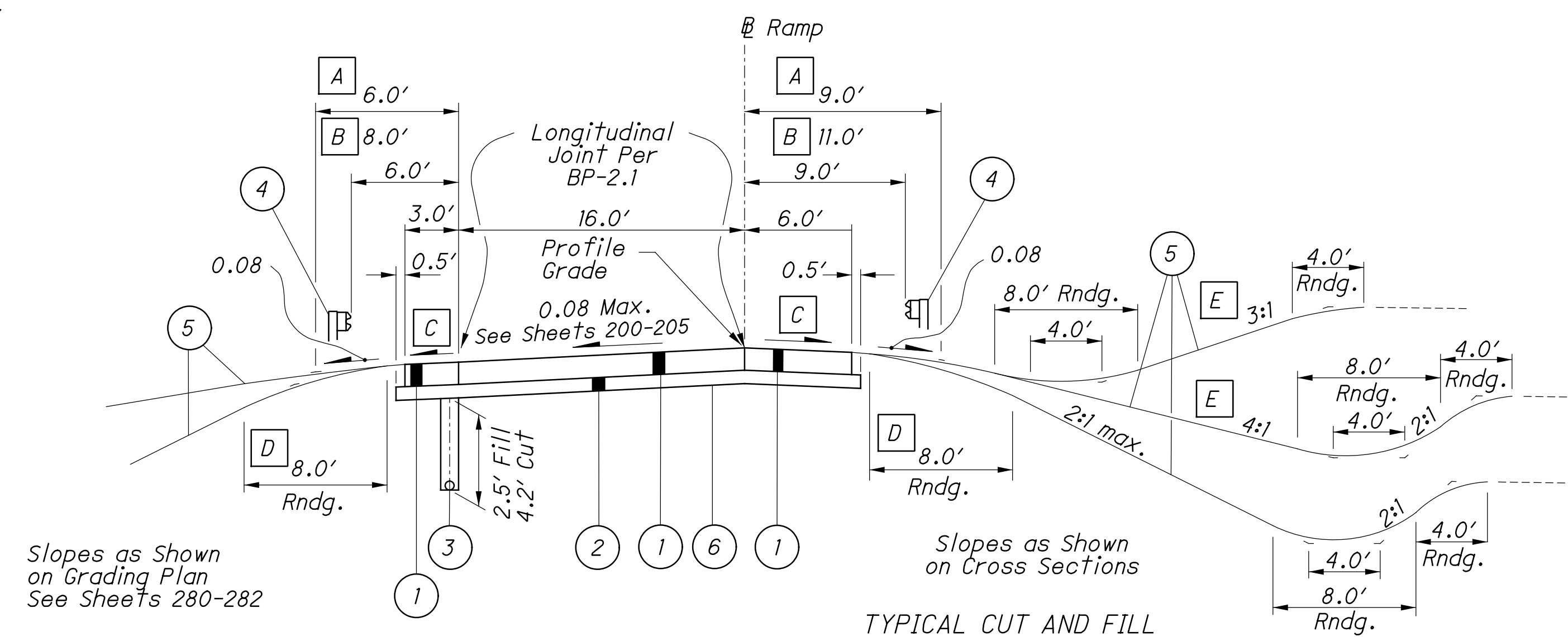
Sta. 160+75 to Sta. 166+65.18 Ramp A
Sta. 266+17.10 to Sta. 271+50 Ramp B

- A** WHEN FORESLOPE IS 6:1 OR FLATTER
- B** FOR GUARDRAIL SECTIONS AND NON-GUARDRAIL SECTIONS WITH FORESLOPE STEEPER THAN 6:1
- C** SEE DETAILS "A" AND "B"
- D** 4' ROUNDING ON GUARDRAIL SECTIONS; NO ROUNDING REQUIRED WHEN FORESLOPE IS 6:1 OR FLATTER.
- E** GUARDRAIL DETAIL DOES NOT APPLY



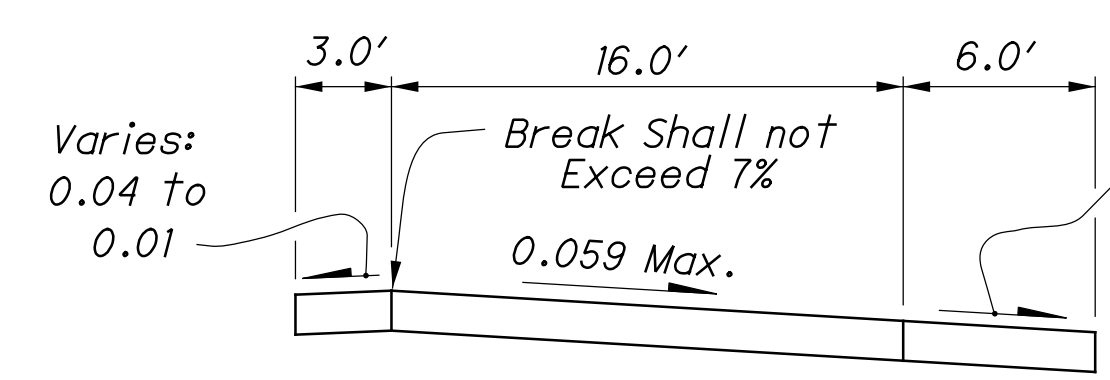
SUPERELEVATED SECTION (RIGHT) - RAMPS C & D

Sta. 477+25 to Sta. 481+60.26 Ramp C
Sta. 554+58.38 to Sta. 557+00 Ramp D

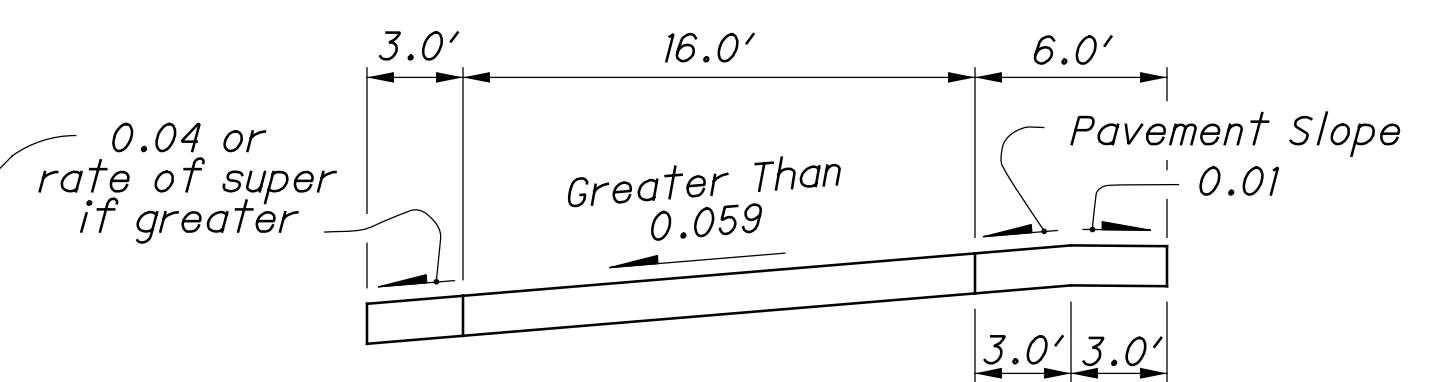


SUPERELEVATED SECTION (LEFT) - RAMPS E & F

Sta. 354+62.19 to Sta. 360+75 Ramp E
Sta. 571+50 to Sta. 577+03.57 Ramp F



DETAIL A

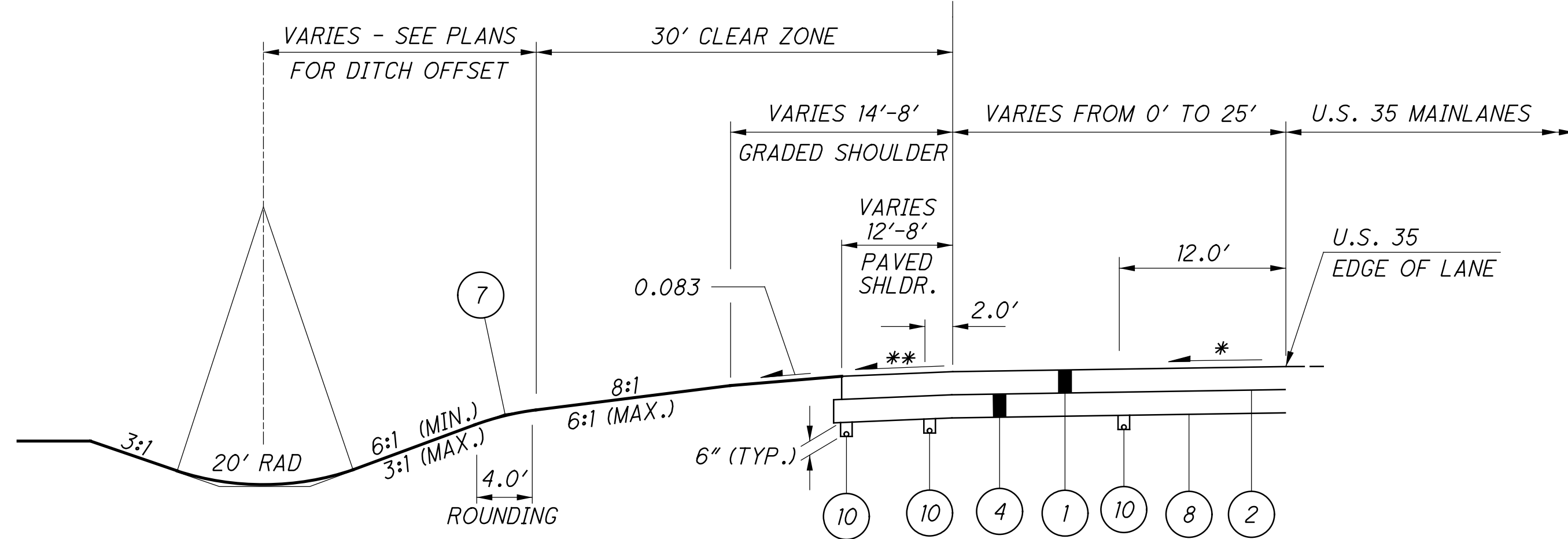
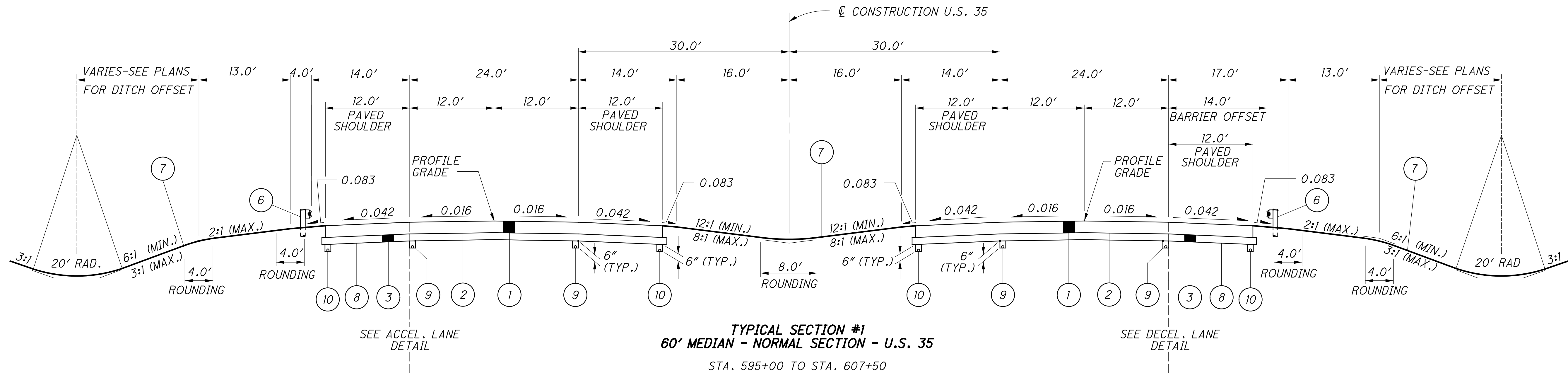


DETAIL B

FOR LEGEND, SEE SHEET 9

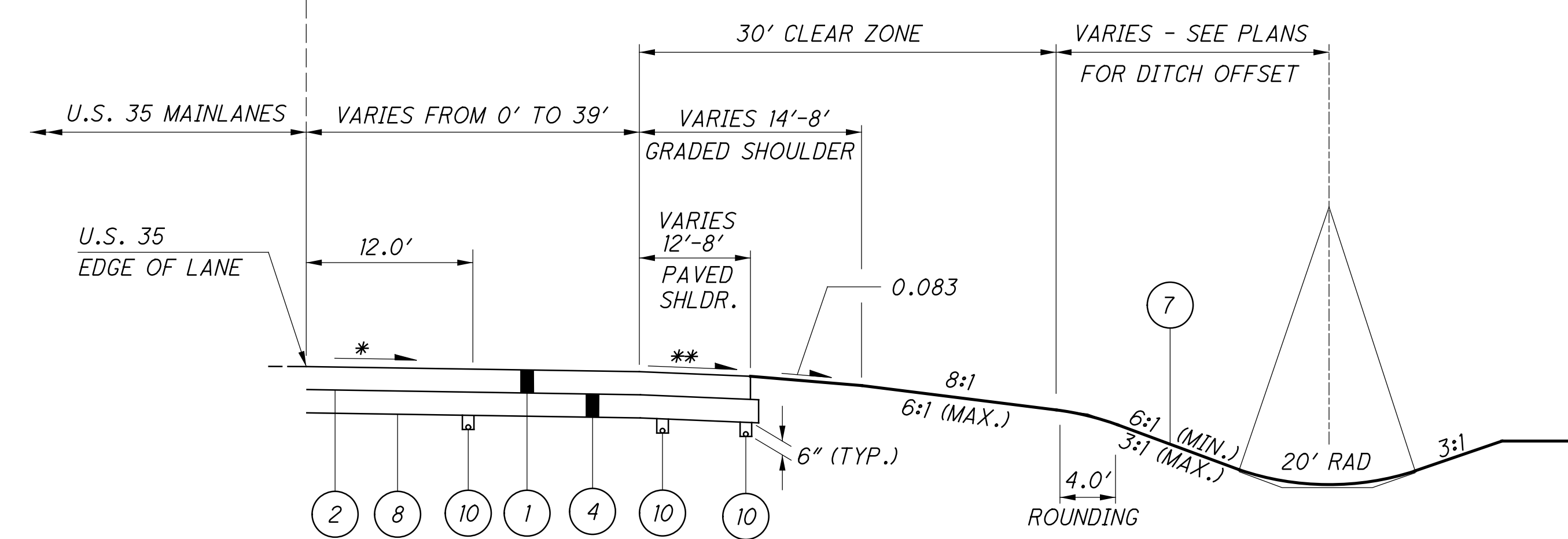
LEGEND

- | | | | |
|---|---|---|-------------------------------------|
| ① | ITEM 880 - 10" ASPHALT CONCRETE WITH WARRANTY (7 YEARS) | ⑥ | ITEM 606 - GUARDRAIL, TYPE MGS |
| ② | ITEM 408 - PRIME COAT (0.4 GAL/YD ²) | ⑦ | ITEM 659 - SEEDING AND MULCHING |
| ③ | ITEM 304 - 6" AGGREGATE BASE | ⑧ | ITEM 204 - SUBGRADE COMPACTION |
| ④ | ITEM 304 - 10" AGGREGATE BASE | ⑨ | ITEM 605 - 6" BASE PIPE UNDERDRAINS |
| ⑤ | ITEM 605 - 4" SHALLOW PIPE UNDERDRAINS, AS PER PLAN | ⑩ | ITEM 605 - 4" BASE PIPE UNDERDRAINS |



* SLOPE MATCHES MAINLANE RATE (0.016) UNTIL SUPER TRANSITION FOR RAMP. TRANSITION FROM NORMAL CROSS SLOPE TO SUPERELEVATED SECTION BETWEEN STATIONS 598+75 AND 600+90.

** 0.042 OR RATE OF SUPER, IF GREATER.



* SLOPE MATCHES MAINLANE RATE (0.016) UNTIL SUPER TRANSITION FOR RAMP. TRANSITION FROM NORMAL CROSS SLOPE TO SUPERELEVATED SECTION BETWEEN STATIONS 595+50 AND 596+25.

** 0.042 OR RATE OF SUPER, IF GREATER.

ROUNDING

THE ROUNDING AT SLOPE BREAKPOINTS SHOWN ON THE TYPICAL SECTIONS APPLY TO ALL CROSS-SECTIONS EVEN THOUGH OTHERWISE SHOWN.

UTILITIES

LISTED BELOW ARE ALL UTILITIES LOCATED WITHIN THE PROJECT CONSTRUCTION LIMITS TOGETHER WITH THEIR RESPECTIVE OWNERS:

ELECTRIC:
 AMERICAN ELECTRIC POWER
 215 NORTH FRONT STREET
 COLUMBUS, OHIO 43215
 (614) 464-7911

GAS:
 COLUMBIA GAS OF OHIO
 939 WEST GOODALE BOULEVARD
 COLUMBUS, OHIO 43212
 (614) 460-2240

TELEPHONE:
 SBC AMERITECH
 150 EAST GAY STREET
 ROOM 6F
 COLUMBUS, OHIO 43215
 (614) 223-8535

CABLE:
 TIME WARNER COMMUNICATIONS
 1266 DUBLIN ROAD
 COLUMBUS, OHIO 43212
 (614) 481-5261

SANITARY, STORM:
 CITY OF COLUMBUS
 DIVISION OF SEWERAGE & DRAINAGE
 910 DUBLIN ROAD
 COLUMBUS, OHIO 43215
 (614) 645-7175

WATER:
 CITY OF COLUMBUS
 DIVISION OF WATER
 910 DUBLIN ROAD
 COLUMBUS, OHIO 43215
 (614) 645-7677

UTILITIES

THE LOCATION OF THE UNDERGROUND UTILITIES SHOWN ON THE PLANS ARE AS OBTAINED FROM THE OWNERS AS REQUIRED BY SECTION 153.64 O.R.C.

SURVEYING PARAMETERS

PRIMARY PROJECT CONTROL MONUMENTS GOVERN ALL POSITIONING ON ODOT PROJECTS. SEE THIS SHEET FOR A TABLE CONTAINING PRIMARY PROJECT CONTROL INFORMATION.

USE THE FOLLOWING PRIMARY PROJECT CONTROL, VERTICAL POSITIONING, AND HORIZONTAL POSITIONING PARAMETERS FOR ALL SURVEYING:

PRIMARY PROJECT CONTROL

POSITIONING METHOD: STATIC GNSS
 MONUMENT TYPE: A

VERTICAL POSITIONING

ORTHOMETRIC HEIGHT DATUM: NAVD88
 GEOID: GEOID09

HORIZONTAL POSITIONING

REFERENCE FRAME: NAD83(CORS96)
 ELLIPSOID: GRS80
 MAP PROJECTION: LAMBERT CONFORMAL CONIC
 COORDINATE SYSTEM: OHIO STATE PLANE - SOUTH ZONE
 COMBINED SCALE FACTOR: 1.000059007
 ORIGIN OF COORDINATE SYSTEM: 0,0

USE THE POSITIONING METHOD AND MONUMENT TYPE USED IN THE ORIGINAL SURVEY TO RESTORE ALL MONUMENTS RELATED TO PRIMARY PROJECT CONTROL THAT ARE DAMAGED OR DESTROYED BY CONSTRUCTION ACTIVITIES. RESTORE THE DAMAGED OR DESTROYED MONUMENTS IN ACCORDANCE WITH SUPPLEMENTAL SPECIFICATION 823.

UNITS ARE IN U.S. SURVEY FEET. USE THE FOLLOWING CONVERSION FACTOR: 1 METER = 3.280833333 U.S. SURVEY FEET.

WORK LIMITS

THE WORK LIMITS SHOWN ON THESE PLANS ARE FOR PHYSICAL CONSTRUCTION ONLY. PROVIDE THE INSTALLATION AND OPERATION OF ALL WORK ZONE TRAFFIC CONTROL AND WORK ZONE TRAFFIC CONTROL DEVICES REQUIRED BY THESE PLANS WHETHER INSIDE OR OUTSIDE THESE WORK LIMITS.

CLEARING AND GRUBBING

REMOVE ALL TREES AND STUMPS SPECIFICALLY MARKED FOR REMOVAL WITHIN THE CONSTRUCTION LIMITS UNDER THE LUMP SUM BID FOR ITEM 201, CLEARING AND GRUBBING. THE FOLLOWING IS AN APPROXIMATE ESTIMATE OF THE NUMBER OF TREES AND STUMPS TO BE REMOVED.

SIZES	NO. TREES	NO. STUMPS	TOTAL
18"	8	2	10
30"	1	2	3
48"	0	1	1
60"	1	0	1

SEEDING AND MULCHING

THE FOLLOWING QUANTITIES ARE PROVIDED TO PROMOTE GROWTH AND CARE OF PERMANENT SEEDED AREAS:

659, SEEDING AND MULCHING 310 SQ. YD.

659, REPAIR SEEDING AND MULCHING 16 SQ. YD.
 (310) X (0.05) = 15.5 SQ. YD.

659, SOIL ANALYSIS TEST 2 EACH

659, TOPSOIL 34 CU. YD.
 (310) X (111 CY PER 1000 SY) = 34.4 SQ. YD.

659, COMMERCIAL FERTILIZER 0.05 TON
 [(310) X (1 TON / 7410 SY)] + [(16 SY) X (1 TON / 1115 SY)] = 0.05 TON

659, LIME 0.06 ACRE
 (310) X (1 ACRE / 4840 SY) = 0.06 ACRE

659, INTER-SEEDING 16 SQ. YD.
 (310) X (0.05) = 15.5 SQ. YD.

659, WATER 2 M. GAL.
 [(310) X (0.0054 M GAL / SY)] + [(16) X (.0027 GAL/SY)] = 2 M. GAL

APPLY SEEDING AND MULCHING TO ALL AREAS OF EXPOSED SOIL BETWEEN THE RIGHT-OF-WAY LINES, AND WITHIN THE CONSTRUCTION LIMITS FOR AREAS OUTSIDE THE RIGHT-OF-WAY LINES COVERED BY WORK AGREEMENT OR TEMPORARY EASEMENT. QUANTITY CALCULATIONS FOR SEEDING AND MULCHING ARE BASED ON THESE LIMITS.

RESIDENTIAL AND COMMERCIAL DRAINAGE CONNECTIONS

EXISTING ROOF DRAINS, FOOTER DRAINS, OR YARD DRAINS, DISTURBED BY THE WORK, SHALL BE PROVIDED WITH UNOBSTRUCTED OUTLETS BY CONNECTING A CONDUIT THROUGH THE CURB OR INTO A DRAINAGE STRUCTURE. THE LOCATION, TYPE, SIZE AND GRADE OF THE NEW CONDUIT REQUIRED TO REPLACE OR EXTEND THE EXISTING DRAIN WILL BE DETERMINED BY THE ENGINEER.

THE FOLLOWING CONDUIT TYPES MAY BE USED: 707.33, 707.41 NON-PERFORATED, 707.42, 707.43, 707.45, 707.46, 707.47, 707.51, 707.52 SDR35.

THE FOLLOWING ESTIMATED QUANTITIES HAVE BEEN INCLUDED IN THE GENERAL SUMMARY FOR USE AS DIRECTED BY THE ENGINEER FOR THE WORK NOTED ABOVE:

611, 6" CONDUIT, TYPE B	50 FT.
611, 6" CONDUIT, TYPE C	50 FT.
611, 6" CONDUIT, TYPE E	50 FT.
611, 6" CONDUIT, TYPE F	50 FT.

PROFILE AND ALIGNMENT

THE PROPOSED PAVEMENT RESURFACING SHALL FOLLOW THE ALIGNMENT SHOWN ON THE PLAN VIEW SHEETS. THE PROPOSED PROFILE SHALL FOLLOW THE PROPOSED ELEVATIONS SHOWN ON THE CROSS SECTION SHEETS. THE PROPOSED ASPHALT CONCRETE OVERLAY SHALL VARY TO PRODUCE THE PROPOSED ELEVATIONS SHOWN ON THE CROSS SECTIONS.

PRIMARY PROJECT CONTROL INFORMATION

POINT NUMBER	GRID COORDINATES U.S. SURVEY FEET		SCALED COORDINATES U.S. SURVEY FEET		ORTHOMETRIC HEIGHT (ELEVATION)	DESCRIPTION
	NORTHING	EASTING	NORTHING	EASTING		
CP1	648471.989	2085554.754	648510.253	2085677.816	634.80	PROJECT CONTROL - STEEL ROD SET IN CONCRETE
CP2	646970.005	2084508.912	647008.181	2084631.913	636.54	PROJECT CONTROL - STEEL ROD SET IN CONCRETE
CP3	647678.067	2084753.211	647716.285	2084876.226	655.38	AZIMUTH MARK - STEEL ROD SET IN CONCRETE
CP4	647186.714	2084974.770	647224.903	2084974.711	656.63	AZIMUTH MARK - STEEL ROD SET IN CONCRETE

ITEM 659, SEEDING AND MULCHING

SEEDING AND MULCHING SHALL BE APPLIED TO ALL AREAS OF EXPOSED SOIL BETWEEN THE RIGHT-OF-WAY LINES, AND WITHIN THE CONSTRUCTION LIMITS FOR AREAS OUTSIDE THE RIGHT-OF-WAY LINES COVERED BY WORK AGREEMENT OR SLOPE EASEMENT. QUANTITY CALCULATIONS FOR ITEM 659, SEEDING AND MULCHING, ARE BASED ON THESE LIMITS.

SEE SHEET 18 FOR SEEDING AND MULCHING SUBSUMMARY.

WATERING AND MOWING PERMANENT SEEDED AREAS

THE FOLLOWING ESTIMATED QUANTITIES ARE TO BE USED AS DIRECTED BY THE ENGINEER TO PROMOTE GROWTH AND TO CARE FOR PERMANENT SEEDED AREAS PER 659.09:

659, WATER	22 MGAL
659, MOWING	23 MSF

EROSION CONTROL

ITEMS 601, 660 AND 670 ARE PROVIDED IN THE PLANS FOR EROSION CONTROL. ROCK OF A STABLE NATURE SHALL NOT BE REMOVED IN ORDER TO PLACE ANY OF THESE ITEMS AND TURF OF A STABLE NATURE SHALL NOT BE REMOVED IN ORDER TO PLACE 660 OR 670. THE ENGINEER SHALL CHECK AND NON-PERFORM QUANTITIES OR ADJUST LOCATIONS AND QUANTITIES OF THESE ITEMS WHERE INDICATED BY FIELD CONDITIONS DURING CONSTRUCTION.

ITEM 604, CATCH BASIN NO. 2-3 AND 2-5 AS PER PLAN

CATCH BASINS SHALL BE CONSTRUCTED IN CONFORMANCE WITH ITEM 604 EXCEPT THAT THE GRATES SHALL BE NEENAH NO. R-4859-C OR EAST JORDAN NO. 5110 TYPE M2 OR APPROVED EQUALS.

ITEM 611 - CONDUIT BORED OR JACKED

WHERE IT IS SPECIFIED THAT A CONDUIT BE INSTALLED BY THE METHOD OF BORING OR JACKING, NO TRENCH EXCAVATION SHALL BE CLOSER THAN 10 FEET TO THE (EDGE OF PAVEMENT) NEAREST RAIL). PROVIDE A 0.50 INCH UNGALVANIZED CASING PIPE CONFORMING TO 748.06 THAT HAS JOINT WITH A CIRCUMFERENCIAL FULLY PENETRATING B-U4B WELD THAT IS PERFORMED BY AN ODOT APPROVED FIELD WELDER. THE INSTALLED CASING PIPE IN THE STORM WATER CONVEYANCE CARRIER UNLESS OTHERWISE SPECIFIED IN THE PLANS. HYDROSTATIC TESTING IS NOT REQUIRED FOR THE CASING PIPE.

CROSSINGS AND CONNECTIONS TO EXISTING PIPES AND UTILITIES

WHERE PLANS PROVIDE FOR A PROPOSED CONDUIT TO BE CONNECTED TO, OR CROSS OVER OR UNDER AN EXISTING SEWER OR UNDERGROUND UTILITY, THE CONTRACTOR SHALL LOCATE THE EXISTING PIPES OR UTILITIES BOTH AS TO LINE AND GRADE BEFORE STARTING TO LAY THE PROPOSED CONDUIT.

IF IT IS DETERMINED THAT THE ELEVATION OF THE EXISTING CONDUIT, OR EXISTING APPURTENANCE TO BE CONNECTED, DIFFERS FROM THE PLAN ELEVATION OR RESULTS IN A CHANGE IN THE PLAN CONDUIT SLOPE, THE ENGINEER SHALL BE NOTIFIED BEFORE STARTING CONSTRUCTION OF ANY PORTION OF THE PROPOSED CONDUIT WHICH WILL BE AFFECTED BY THE VARIANCE IN THE EXISTING ELEVATIONS.

IF IT IS DETERMINED THAT THE PROPOSED CONDUIT WILL INTERSECT AN EXISTING SEWER OR UNDERGROUND UTILITY IF CONSTRUCTED AS SHOWN ON THE PLAN, THE ENGINEER SHALL BE NOTIFIED BEFORE STARTING CONSTRUCTION OF ANY PORTION OF THE PROPOSED CONDUIT WHICH WOULD BE AFFECTED BY THE INTERFERENCE WITH AN EXISTING FACILITY.

PAYMENT FOR ALL THE OPERATIONS DESCRIBED ABOVE SHALL BE INCLUDED IN THE CONTRACT PRICE FOR THE PERTINENT 603 CONDUIT ITEM.

ITEM 605, AGGREGATE DRAINS

AGGREGATE DRAINS SHALL BE PLACED AT FIFTY (50) FOOT INTERVALS ON EACH SIDE OF NORMAL CROWNED SECTIONS, STAGGERED SO THAT EACH DRAIN IS 25 FEET FROM THE ADJACENT DRAIN ON THE OPPOSITE SIDE AND AT TWENTY-FIVE (25) FOOT INTERVALS ON THE LOW SIDE ONLY OF SUPERELEVATED SECTIONS. AN AGGREGATE DRAIN SHALL BE PLACED AT THE LOW POINT OF EACH SAG VERTICAL CURVE.

UNRECORDED UNTREATED NON-STORMWATER DRAINAGE

FURNISH NO CONTINUANCE FOR ANY UNRECORDED UNTREATED NON-STORMWATER DRAINAGE SUCH AS UNTREATED SEPTIC, UNTREATED WASTEWATER, UNTREATED CURTAIN/GRADIENT DRAINS, AND UNTREATED FOUNDATION FLOOR DRAINS DISTURBED BY THE WORK. PLUG ANY UNRECORDED, UNTREATED, NON-STORMWATER DRAINAGE WITH CLASS C CONCRETE AT THE RIGHT-OF-WAY LINE. PAYMENT FOR PLUGGING SHALL BE INCLUDED IN THE CONTRACT PRICE FOR THE PERTINENT 202 OR 203 ITEM.

REVIEW OF DRAINAGE FACILITIES

BEFORE ANY WORK IS STARTED ON THE PROJECT AND AGAIN BEFORE FINAL ACCEPTANCE BY THE STATE, REPRESENTATIVES OF THE STATE AND CONTRACTOR, ALONG WITH LOCAL REPRESENTATIVES SHALL MAKE AN INSPECTION OF ALL EXISTING SEWERS WHICH ARE TO REMAIN IN SERVICE AND WHICH MAY BE AFFECTED BY THE WORK. THE CONDITION OF THE EXISTING CONDUITS AND THEIR APPURTENANCES SHALL BE DETERMINED FROM FIELD OBSERVATIONS. RECORDS OF THE INSPECTION SHALL BE KEPT IN WRITING BY THE STATE.

ALL NEW CONDUITS, INLETS, CATCH BASINS, AND MANHOLES CONSTRUCTED AS A PART OF THE PROJECT SHALL BE FREE OF ALL FOREIGN MATTER AND IN A CLEAN CONDITION BEFORE THE PROJECT WILL BE ACCEPTED BY THE STATE.

ALL EXISTING SEWERS INSPECTED INITIALLY BY THE ABOVE MENTIONED PARTIES SHALL BE MAINTAINED AND LEFT IN A CONDITION REASONABLY COMPARABLE TO THAT DETERMINED BY THE ORIGINAL INSPECTION. ANY CHANGE IN THE CONDITION RESULTING FROM THE CONTRACTOR'S OPERATIONS SHALL BE CORRECTED BY THE CONTRACTOR TO THE SATISFACTION OF THE ENGINEER.

PAYMENT FOR ALL OPERATIONS DESCRIBED ABOVE SHALL BE INCLUDED IN THE CONTRACT PRICE FOR THE PERTINENT 603 CONDUIT ITEMS.

UNRECORDED ACTIVE SANITARY SEWER CONNECTIONS

FURNISH A CONTINUANCE FOR ALL UNRECORDED ACTIVE SANITARY SEWER CONNECTIONS SUCH AS SANITARY, WASTEWATER, CURTAIN/GRADIENT DRAINS, AND FOUNDATION FLOOR DRAINS DISTURBED BY THE WORK. FURNISH AN UNOBSTRUCTED CONTINUANCE OF THE UNRECORDED ACTIVE SANITARY SEWER CONNECTIONS TO THE SATISFACTIN OF THE ENGINEER. ALL SUCH CONTINUANCE REQUIRES A RIGHT-OF-WAY USE PERMIT. ALL SANITARY AND SANITARY WASTEWATER MAY ALSO REQUIRE A NPDES PERMIT FROM THE OHIO ENVIRONMENTAL PROTECTION AGENCY. REPORT ALL CONTINUANCE TO THE LOCAL HEALTH DEPARTMENT.

THE FOLLOWING CONDUIT TYPES MAY BE USED: 707.42, 707.43, 707.44, 707.45, 707.46, 707.47, 707.51, 707.52 SDR35, 706.01, 706.02, OR 706.08 WITH JOINTS AS PER 706.11 OR 706.12.

THE FOLLOWING ESTIMATED QUANTITIES HAVE BEEN INCLUDED IN THE GENERAL SUMMARY FOR USE AS DIRECTED BY THE ENGINEER FOR THE WORK NOTED ABOVE:

- 611, 8" CONDUIT, TYPE B, FOR SANITARY 100 FT.
- 611, 6" CONDUIT, TYPE C, FOR SANITARY 100 FT.

ITEM 611 - 10' X 8' CONDUIT, TYPE A, 706.05, AS PER PLAN (DESIGN EARTH COVER = 6 FEET)

SEGMENTAL, PRECAST CONCRETE FOUR SIDED STRUCTURES WHICH ARE BELOW FINISHED GRADE AND WILL NOT BE PAVED DIRECTLY OVER SHALL HAVE ITEM SPECIAL, MEMBRANE WATERPROOFING, SHEET TYPE 2 (SEE PROPOSAL NOTE) APPLIED TO THE TOP SURFACE AND VERTICALLY DOWN THE ENTIRE SIDES FOR ALL PORTIONS OF THE STRUCTURE WHICH SHALL BE IN CONTACT WITH THE BACKFILL.

THE EXTERIOR JOINT GAP ON THE TOP AND SIDES BETWEEN THE PRECAST STRUCTURE SECTIONS SHALL BE FILLED WITH PORTLAND CEMENT MORTAR PRIOR TO INSTALLING THE MEMBRANE WATERPROOFING. JOINT WRAP AS SPECIFIED IN 611.08 AND CONCRETE SEALING AS SPECIFIED IN 611.09 ARE NOT REQUIRED UNDER THE LIMITS OF THE MEMBRANE WATERPROOFING. PAYMENT FOR THE MEMBRANE WATERPROOFING SHALL BE AT THE CONTRACT PRICE BID PER SQUARE YARD FOR PERTINENT ITEM SPECIAL, MEMBRANE WATERPROOFING, SHEET TYPE (SEE PROPOSAL NOTE).

WHEN ITEM SPECIAL, SEALING OF CONCRETE SURFACES (EPOXY) (SEE PROPOSAL NOTE) IS SPECIFIED ON THE HEADWALLS OF A PRECAST CONCRETE STRUCTURE, ANY PRECAST STRUCTURE SECTIONS BEYOND THE LIMIT OF THE MEMBRANE WATERPROOFING SHALL ALSO BE SEALED WITH THE SAME SEALANT. PAYMENT FOR THE SEALING OF THE PRECAST CONCRETE STRUCTURE SURFACES SHALL BE MADE AT THE CONTRACT PRICE BID PER SQUARE YARD FOR ITEM SPECIAL, SEALING OF CONCRETE SURFACES (EPOXY) (SEE PROPOSAL NOTE).

GENERAL NOTES

FRA -44-13.67

ITEM 614, MAINTAINING TRAFFIC

THE CONTRACTOR SHALL NOTIFY THE ENGINEER AND DIRECTOR OF PUBLIC WORKS, CITY OF PETERSBURG, AT LEAST 48 HOURS IN ADVANCE (EXCLUSIVE OF SATURDAY, SUNDAY OR HOLIDAYS) OF HIS INTENT TO DIVERT TRAFFIC AND TWO WEEKS IN ADVANCE OF A DETOUR.

NO CHANGE IN TRAFFIC PATTERNS SHALL TAKE PLACE DURING PEAK HOURS, 6:00 A.M. TO 9:00 A.M. AND 3:00 P.M. TO 6:00 P.M. MONDAY THROUGH FRIDAY.

THE CONTRACTOR SHALL NOTIFY CONRAIL (PHONE: 215-596-2923) AND THE ENGINEER AT LEAST ONE WEEK IN ADVANCE OF HIS INTENT TO CLOSE CONRAIL TRACKS TO TRAFFIC FOR THE REMOVAL OF PORTIONS OF EXISTING BRIDGE OVER AND/OR NEAR THE TRACKS. THE TRACK CLOSURES SHALL BE LIMITED TO SATURDAY, SUNDAY AND/OR MONDAY.

ACCESS TO THE PARKING LOT ON BEECHMONT COURT (EAST OF CONRAIL TRACKS) SHALL BE MAINTAINED AT ALL TIMES AND OTHER LOCAL TRAFFIC SHALL BE MAINTAINED AS PER CMS 614.02(A).

S.R. 86 - TWO LANE, TWO WAY TRAFFIC SHALL BE MAINTAINED DURING PEAK HOURS AND AT ALL OTHER TIMES EXCEPT AS FOLLOWS:

ONE LANE, TWO WAY TRAFFIC (USING STANDARD DWG. MT-97.10) WILL BE PERMITTED FOR MINIMUM PERIODS CONSISTENT WITH REQUIREMENTS OF THE SPECIFICATIONS FOR COMPLETED ASPHALT COURSES AND WHEN NECESSARY FOR THE CONTRACTOR'S EQUIPMENT TO OCCUPY THE PAVEMENT FOR A SHORT TIME.

S.R. 86 MAY BE CLOSED TO TRAFFIC UNDER CONDITIONS STATED IN THE SEQUENCE OF CONSTRUCTION.

EASTERN AVENUE AND BEECHMONT CIRCLE MAY BE CLOSED FOR SHORT DURATIONS (15 MINUTES) DURING BRIDGE DEMOLITION OR BRIDGE BEAM ERECTION. TRAFFIC BACKUP SHALL BE CLEARED AFTER EACH CLOSURE AND ALLOWED TO PASS FREELY WITH NO RESTRICTION (ONE LANE IN EACH DIRECTION FOR 10 MINUTES BEFORE ANOTHER CLOSURE IS MADE. TWO LANE, TWO WAY TRAFFIC SHALL BE MAINTAINED DURING PEAK HOURS NOTED ABOVE.

RAMP C AND E MAY BE CLOSED AS PER THE SEQUENCE OF CONSTRUCTION; OTHERWISE, TRAFFIC SHALL BE MAINTAINED ON EXISTING, PAVEMENT FOR MAINTAINING TRAFFIC OR PROPOSED PAVEMENT BASE COURSES.

THE FINAL SURFACE AND INTERMEDIATE PAVEMENT COURSES SHALL BE COMPLETED TO THE EXTENT POSSIBLE DURING THE "FINAL DETOUR" PHASE. THE REMAINING WORK SHALL BE COMPLETED AFTER THE "FINAL DETOUR" PHASE WHILE MAINTAINING TRAFFIC.

BEECHMONT COURT SHALL BE OPEN AT ALL TIMES EXCEPT THAT ACCESS TO #3753 BEECHMONT COURT MAY BE CUT OFF CUT OFF WHEN THE DRIVE TO BEECHMONT CIRCLE IS COMPLETED. ACCESS TO #3755, #3711 BEECHMONT COURT AND #4747 EASTERN AVENUE SHALL BE MAINTAINED AT ALL TIMES.

THE CONTRACTOR SHALL MAINTAIN PEDESTRIAN TRAFFIC THROUGHOUT THE PROJECT CONSTRUCTION FROM BEACHMONT AVENUE/CHURCH PLACE INTERSECTION TO EASTERN AVENUE BY KEEPING THE EXISTING STAIRS LOCATED IN THE NORTHEAST QUADRANT OF THE INTERSECTION OPEN FOR THE DURATION OF THE "INITIAL DETOUR PHASE" AND "PHASE I". THE EXISTING STAIRS SHALL REMAIN OPEN UNTIL PEDESTRIAN ACCESS IS PROVIDED BY OPENING THE PROPOSED STAIRS LOCATED IN THE SOUTHEAST QUADRANT AND CONSTRUCTED DURING PHASE I FOR PEDESTRIAN USE DURING "PHASE II" AND THE "FINAL DETOUR" PHASE.

ALL WORK AND TRAFFIC CONTROL DEVICES SHALL BE IN ACCORDANCE WITH CMS 614 AND OTHER APPLICABLE PORTIONS OF THE SPECIFICATIONS, AS WELL AS THE OHIO MANUAL OF UNIFORM TRAFFIC CONTROL DEVICES. PAYMENT FOR ALL LABOR, EQUIPMENT AND MATERIALS SHALL BE INCLUDED IN THE LUMP SUM CONTRACT PRICE FOR ITEM 614, MAINTAINING TRAFFIC, UNLESS SEPARATELY ITEMIZED IN THE PLAN.

SEQUENCE OF CONSTRUCTION

INITIAL DETOUR PHASE

PREPARE TO CLOSE S.R. 86 TO TRAFFIC BY ERECTING TRAFFIC CONTROL (SEE SHEET 32 AND 33) AND COORDINATING THE DETOUR WITH THE CITY OF PETERSBURG. AT THE SAME TIME, SHORE OR BRACE PORTIONS OF THE EXISTING BRIDGE THAT WILL BE USED TO MAINTAIN TRAFFIC. PERFORM ANY OTHER WORK THAT CAN REDUCE THE TIME REQUIRED TO DETOUR TRAFFIC. SEE SHEET NO. 31 FOR DETOUR MAP.

WHEN CITY OF PETERSBURG FORCES HAVE COMPLETED THE DETOUR SIGNING OUTSIDE THE PROJECT AREA AND THE CONTRACTOR HAS COMPLETED ALL DETOUR SIGNING, CLOSURE SIGNING AND BARRIER PLACEMENT WITHIN THE PROJECT AREA, S.R. 86, RAMP C AND RAMP E SHALL BE CLOSED TO TRAFFIC. THIS CLOSURE SHALL BE LIMITED TO 60 CALENDAR DAYS.

WHILE THE HIGHWAY IS CLOSED PRIOR TO "PHASE I", THE FOLLOWING WORK SHALL BE COMPLETED.

- REMOVE THE PLATE GIRDER BRIDGES OVER EASTERN AVENUE AND CONRAIL.

- CONSTRUCT A TEMPORARY BRIDGE AT EACH LOCATION.

- COMPLETE SHORING AND BRACING.

- SAW CUT THE EXISTING CONCRETE BRIDGE SUPERSTRUCTURE AND PIERS AND BEGIN TO REMOVE THE SOUTH PORTION OF THE EXISTING BRIDGE.

- COMPLETE DRIVE TO #3753-55 BEECHMONT COURT.

- CONSTRUCT PAVEMENT FOR MAINTAINING TRAFFIC, AS PER PLAN, AT RAMP C AND E.

- INSTALL THE TEMPORARY TRAFFIC SIGNAL (INCLUDING THE "PREPARE TO STOP WHEN FLASHING" ADVANCE WARNING SIGN AT THE INTERSECTION OF RAMP F/CHURCH AND S.R. 86.

- ERECT TRAFFIC CONTROL AND PORTABLE CONCRETE BARRIER FOR "PHASE I" PRIOR TO OPENING RAMP C. THE SOLID, DOUBLE YELLOW CENTERLINE SHALL BE IN PLACE PRIOR TO PHASE I OPENING TO TRAFFIC.

PHASE I AND II

THE CONTRACTOR IS EXPECTED TO USE ALL MEANS POSSIBLE POSSIBLE INCLUDING, BUT NOT RESTRICTED TO, MULTIPLE SHIFTS, TWENTY-FOUR (24) HOURS PER DAY SCHEDULING SEVEN (7) DAYS A WEEK (SUBJECT TO THE RESTRICTIONS OF SECTION 910.8 OF THE CITY OF PETERSBURG MUNICIPAL CODE GOVERN-

ING NIGHTTIME CONSTRUCTION BETWEEN THE HOURS OF 11:00 P.M. AND 7:00 A.M.), ADDITIONAL CREWS, LIGHTING FOR NIGHT WORK, MULTIPLE MATERIAL SOURCES, MULTIPLE SUBCONTRACTORS, ETC., IN ORDER TO COMPLETE PHASE I AND II WITHIN 120 CALENDAR DAYS. NO TIME EXTENSIONS (SEE PROPOSAL NOTE) OF THIS INTERIM COMPLETION PERIOD WILL BE CONSIDERED. FAILURE TO OPEN THE HIGHWAY TO FOUR LANE TRAFFIC WILL RESULT IN THE ASSESSMENT OF \$15,000.00 LIQUIDATED DAMAGES FOR EACH CALENDAR DAY (INCLUDING WEEKENDS AND HOLIDAYS) BEYOND THE ALLOTTED TIME.

PHASE I

AFTER THE INITIAL PHASE DETOUR WORK IS COMPLETED, RE-OPEN S.R. 86 AND RAMPS C AND E TO TRAFFIC USING THE TEMPORARY BRIDGES AND A PORTION OF THE EXISTING BRIDGE TO MAINTAIN ONE LANE OF TRAFFIC IN EACH DIRECTION.

COVER DETOUR SIGNS FOR RE-USE DURING THE "FINAL DETOUR" PHASE.

COMPLETE CONSTRUCTION OF THE SOUTH ONE HALF OF THE PROPOSED BRIDGE, RETAINING WALLS, TEMPORARY RETAINING WALLS AND STAIRS IN THE SE QUADRANT OF S.R. 86 AND CHURCH PLACE/RAMP F INTERSECTION.

ERECT TRAFFIC CONTROL AND PORTABLE CONCRETE BARRIER, AND ADJUST TEMPORARY TRAFFIC SIGNAL FOR "PHASE II". THE SOLID, DOUBLE YELLOW CENTERLINE SHALL BE IN PLACE PRIOR TO "PHASE II" OPENING TO TRAFFIC.

PHASE II

AFTER PHASE I WORK IS COMPLETED, RELOCATE TRAFFIC ON S.R. 86 AND RAMPS C AND E FOR "PHASE II" USING THE COMPLETED PORTION OF THE NEW STRUCTURE (MAINTAINING ONE LANE OF TRAFFIC IN EACH DIRECTION) AND NEW FULL DEPTH BASE COURSES ON THE RAMPS.

REMOVE THE TEMPORARY BRIDGES AND THE BALANCE OF THE EXISTING BRIDGE. COMPLETE CONSTRUCTION (EXCEPT THE GAP (SECTION OF DECK).

COMPLETE WORK ON BEECHMONT COURT.

SOME ITEMS (I.E. SANITARY) ARE NOT INCLUDED IN THE SEQUENCE, BECAUSE THEY HAVE ONLY MINOR EFFECT ON MAINTAINING TRAFFIC. THE CONTRACTOR MAY COMPLETE THIS WORK WHEN CONVENIENT DURING THE SEQUENCE OF CONSTRUCTION.

FINAL DETOUR PHASE

UNCOVER DETOUR SIGNS, SET UP CLOSURE SIGNING AND PLACE BARRIER TO CLOSE S.R. 86 AND RAMP C TO TRAFFIC. COORDINATE THE CLOSURE WITH THE CITY OF PETERSBURG, AS BEFORE. SEE SHEET 31 FOR DETOUR MAP.

WHILE THE HIGHWAY IS CLOSED, THE FOLLOWING WORK SHALL BE CONSTRUCTED:

- CLOSE THE REMAINING GAP IN THE DECK NOT COMPLETED IN "PHASE I AND II".

- COMPLETE THE PLACEMENT OF FULL DEPTH PAVEMENT BASE COURSES.

REMOVE TRAFFIC SIGNAL FOR MAINTAINING TRAFFIC.

THIS CLOSURE WILL BE LIMITED TO FIVE DAYS, TWO OF WHICH SHALL BE SATURDAY AND SUNDAY.

FAILURE TO RE-OPEN ON TIME WILL RESULT IN THE ASSESSMENT OF \$25,000.00 LIQUIDATED DAMAGES FOR EACH CALENDAR DAY (INCLUDING WEEKENDS AND HOLIDAYS) BEYOND THE ALLOTTED TIME.

PRIOR TO OPENING THE PROJECT TO TRAFFIC, THE SOLID, DOUBLE YELLOW CENTERLINE SHALL BE IN PLACE AND MAINTAINED DURING SURFACE AND INTERMEDIATE PAVEMENT COURSE PLACEMENT OPERATIONS NOT COMPLETED IN THE "FINAL DETOUR" PHASE.

AFTER THE "FINAL DETOUR" PHASE, IT MAY BE NECESSARY TO REDUCE THE NUMBER OF LANES TO LESS THAN FOUR IN ORDER TO COMPLETE THE PROJECT. THIS WILL BE ACCEPTABLE BUT ONLY DURING ACTUAL CONTRACTOR WORKING HOURS WITH TRAFFIC CONTROL PER APPROPRIATE STANDARD DRAWINGS. NO REDUCTION IN THE NUMBER OF THE LANES SHALL BE PERMITTED DURING PEAK HOURS, THAT BEING FROM 6:00 A.M. TO 9:00 A.M. AND FROM 3:00 P.M. TO 6:00 P.M.

SEQUENCE OF CONSTRUCTION

IT IS THE INTENT OF THE FOLLOWING SEQUENCE OF CONSTRUCTION TO PROVIDE A WORK AREA FOR THE CONTRACTOR WHILE ALSO MAINTAINING TRAFFIC IN A MANNER WHICH IS SAFE FOR THE TRAVELING PUBLIC; THEREFORE, ALL PHASES SHALL HAVE STRICT ADHERENCE.

ALL TEMPORARY OR PERMANENT PAVEMENT MARKINGS SHALL BE IN PLACE BEFORE ANY PAVEMENT IS OPENED TO TRAFFIC.

PHASE ONE

THE CONTRACTOR SHALL REPLACE THE OUTSIDE BERM WITH AN 8' SHOULDER IN THE DESIGNATED AREAS WITH TEMPORARY PAVEMENT USING A ONE LANE CLOSURE PER MT-95.30. LANE CLOSURE PER MT-95.30.

AREAS OF SHOULDER REPLACEMENT:

EASTBOUND	WESTBOUND
50+49 to 51+28.25	1833+00 to 8+86
55+81.25 to 58+20	48+90 to 51+28.25
116+23 to 128+26	55+81.25 to 60+36
150+12 to 160+10	72+48 to 88+20.5
167+67 to 175+76.71	95+78 to 102+82
177+35.21 to 183+56	112+72 TO 126+26
	136+82 to 144+13
	172+63 to 175+76.71
	177+35.21 to 180+55

AFTER THE SHOULDER REPLACEMENT WORK IS COMPLETED, THE CONTRACTOR SHALL THEN PERFORM THE JOINT REPAIRS IN THE FOLLOWING AREAS:

EASTBOUND AREA

A	STA. 147+97 TO STA. 150+05
B	STA. 113+12 TO STA. 115+94
C	STA. 58+26 TO STA. 63+00
D	STA. 1828+26 TO STA. 1832+61

WESTBOUND AREA

E	STA. 103+30 TO STA. 107+08
F	STA. 109+40 TO STA. 112+44
G	STA. 129+43 TO STA. 136+63
H	STA. 144+25 TO STA. 147+82

THE JOINT REPAIRS SHALL BE PERFORMED IN ALPHABETICAL ORDER ON EACH SIDE AND THE PAVEMENT WILL BE OPEN TO TRAFFIC AS SPECIFIED IN THE PLAN NOTE.

FOR ADDITIONAL PHASE I DETAILS AND QUANTITIES SEE SHEETS 22-23.

PHASE TWO

THE CONTRACTOR SHALL PERFORM THE WORK ON THE INSIDE LANES, WHICH SHALL INCLUDE THE JOINT REPAIR, FULL-DEPTH PAVEMENT, BERM REPLACEMENT, AND BRIDGE REHABILITATION. THE JOINT REPAIRS SHALL BE DONE PRIOR TO THE BERM REPLACEMENT. TRAFFIC SHALL BE MAINTAINED DURING THIS PHASE PER THE DETAILS SHOWN ON SHEETS 24 THRU 37, EXCEPT THAT

CORES WILL BE TAKEN DURING THIS PHASE WHICH WILL REQUIRE THE CLOSING OF BOTH LANES FOR A BRIEF PERIOD. ODOT WILL PROVIDE TRAFFIC MAINTENANCE FOR THE CORING PRO-

PHASE THREE

THE CONTRACTOR SHALL PERFORM THE WORK ON THE OUTSIDE LANES, WHICH SHALL INCLUDE THE JOINT REPAIR, FULL-DEPTH PAVEMENT, BERM REPLACEMENT, AND BRIDGE REHABILITATION. THE JOINT REPAIRS SHALL BE DONE PRIOR TO THE BERM REPLACEMENT. TRAFFIC MAINTENANCE DETAILS FOR THIS PHASE ARE SHOWN ON SHEETS 38 THRU 52.

PHASE FOUR

THE CONTRACTOR SHALL GRIND AND SEAL THE PAVEMENT MAINTAINING TRAFFIC BY USE OF A ONE-LANE CLOSURE PER STANDARD DRAWING MT-95.30. THIS WORK SHALL BE PERFORMED ON BOTH LANES AND IN BOTH DIRECTIONS.

BRIDGES

WEST RIVER ROAD AND VERMILION ROAD BRIDGES WILL BE CONSTRUCTED PART-WIDTH USING A TEMPORARY SIGNAL INSTALLATION TO MAINTAIN ONE LANE, TWO-WAY TRAFFIC. DETAILS FOR MAINTAINING TRAFFIC AT THESE BRIDGES ARE SHOWN ON SHEETS 53 AND 54. SUNNYSIDE ROAD AND CLAUS ROAD BRIDGES MAY BE CLOSED FOR A MAXIMUM OF 30 DAYS EACH. BUT THEY SHALL NOT BE CLOSED AT THE SAME TIME. THE DETOUR PLAN FOR THESE BRIDGES IS SHOWN ON SHEETS 19 AND 20. DETAILS FOR THE VERMILION INTERCHANGE BRIDGE CLOSURE ARE SHOWN ON SHEET 21.

SIDE ROAD STRUCTURES OVER FREEWAY

FOUR LANE, TWO WAY TRAFFIC ON THE FREEWAY SHALL BE MAINTAINED AT ALL TIMES DURING THE REHABILITATION OF THE EXISTING STRUCTURES OVER THE FREEWAY, EXCEPT AS FOLLOWS:

1. DURING THE RETROFITTING OF THE EXISTING OVERHEAD PARAPETS.
2. UNLESS OTHERWISE SHOWN IN THE PLAN.

A SAFETY NET OR PLATFORM SHALL BE REQUIRED TO PROTECT TO THE TRAVEL LANES OF THE FREEWAY DURING RETROFITTING OF EXISTING CONCRETE PARAPETS. THE DESIGN OF THE NET OR PLATFORM SHALL CONFORM WITH OSHA REQUIREMENTS, SHALL HAVE APPROVAL FROM THE ODOT OFFICE OF STRUCTURAL ENGINEERING, AND SHALL REMAIN IN PLACE UNTIL WORK HAS BEEN COMPLETED. THE EXISTING VERTICAL CLEARANCE OVER THE FREEWAY SHALL BE MAINTAINED AT ALL TIMES.

IN THE EVENT A LANE RESTRICTION ON THE FREEWAY IS NECESSARY, THE METHOD OF INSTALLATION AND DESIGN OF TEMPORARY AND DESIGN OF TEMPORARY LANE CLOSURE SHALL BE IN ACCORDANCE WITH STANDARD DRAWING MT-95.30. COST FOR THE ABOVE WORK SHALL BE CONSIDERED INCIDENTAL AND SHALL BE INCLUDED IN ITEM 614, MAINTAINING TRAFFIC.

FREEWAY STRUCTURES OVER SIDE ROADS

TWO LANE, TWO WAY TRAFFIC ON SIDE ROADS SHALL BE MAINTAINED AT ALL TIMES DURING REPLACEMENT OF BEARINGS AND REHABILITATION OF MAINLINE BRIDGES, EXCEPT DURING THE FOLLOWING OPERATIONS:

- 1.) DEMOLITION OF THE EXISTING BRIDGE PARAPETS.
- 2.) CONSTRUCTION OF THE PROPOSED PARAPET OVER THE LOCAL ROAD OR STATE ROUTE WHERE THE ENGINEER BELIEVES TEMPORARY CLOSURE OF A TRAFFIC LANE IS WARRANTED.

A SAFETY NET OR PLATFORM SHALL BE REQUIRED TO PROTECT THE UNDERPASS ROADWAY DURING REMOVAL OF EXISTING AND CONSTRUCTION OF NEW CONCRETE PARAPETS. THE DESIGN OF THE NET OR PLATFORM SHALL CONFORM WITH OSHA REQUIREMENTS, SHALL HAVE APPROVAL FROM THE ODOT OFFICE OF STRUCTURAL ENGINEERING, AND SHALL REMAIN IN PLACE UNTIL WORK HAS BEEN COMPLETED. THE EXISTING VERTICAL CLEARANCE OVER THE UNDERPASS ROADWAY SHALL BE MAINTAINED AT ALL TIMES. IN THE EVENT A LANE RESTRICTION IS NECESSARY, THE METHOD OF INSTALLATION AND DESIGN OF THE TEMPORARY LANE CLOSURE SHALL CONFORM TO STANDARD DRAWINGS MT-95.30 OR MT-97.10. COST FOR THE ABOVE WORK SHALL BE CONSIDERED INCIDENTAL AND INCLUDED IN THE LUMP SUM PRICE BID FOR ITEM 614 MAINTAINING TRAFFIC.

PAVEMENT FOR MAINTAINING TRAFFIC, CLASS A, AS PER PLAN

THE PAVEMENT BUILDUP SHALL BE:

- 6" - ITEM 301, ASPHALT CONCRETE BASE, PG64-22
- 4" - ITEM 304, AGGREGATE BASE

PAYMENT SHALL INCLUDE ANY ADDITIONAL COST OF ITEM 203, EXCAVATION TO PLACE THE ITEM 301 OR ITEM 304. THE PAVEMENT FOR MAINTAINING TRAFFIC SHALL BE REMOVED UNDER ITEM 203.

PAVEMENT FOR MAINTAINING TRAFFIC, CLASS B, AS PER PLAN

THE PAVEMENT BUILDUP SHALL BE:

- 6" - ITEM 301, ASPHALT CONCRETE BASE, PG64-22
- 4" - ITEM 304, AGGREGATE BASE.

PAYMENT SHALL INCLUDE ANY ADDITIONAL COST OF ITEM 203, EXCAVATION TO PLACE THE ITEM 301 OR ITEM 304. THE SUBGRADE SHALL BE COMPACTED TO A DEPTH OF 12" ACCORDING TO THE CONSTRUCTION AND MATERIALS SPECIFICATION, SECTION 204.03 AND PAYMENT FOR SUCH WORK SHALL BE INCLUDED IN THE UNIT PRICE BID FOR ITEM 204, SUBGRADE COMPACTION (SEE SHEETS 148 THRU 151 FOR QUANTITIES). THIS PAVEMENT SHALL REMAIN IN PLACE.

NOTICE OF CLOSURE SIGNS

THESE SIGNS SHALL BE ERECTED BY THE CONTRACTOR AT LEAST ONE WEEK IN ADVANCE OF THE SCHEDULED ROAD OR RAMP CLOSURE. THE SIGNS SHALL BE ERECTED ON THE RIGHT HAND BESIDE OF THE ROAD/RAMP FACING TRAFFIC AND SHALL BE LOCATED IN THE FIELD SO AS NOT TO INTERFERE WITH ANY

PERMANENT SIGNS. THE SIGNS SHOULD BE ERECTED ALONG ROADWAYS AT THE POINT OF CLOSURE. THE SIGNS MAY BE ANYWHERE ALONG RAMPS WHERE THEY ARE VISIBLE TO THE MOTORIST USING THE RAMP, EXCEPT THAT ON ENTRANCE RAMPS, THE SIGNS SHALL BE ERECTED WELL IN ADVANCE OF THE MERGE AREA TO AVOID DISTRACTION TO THE MOTORIST.

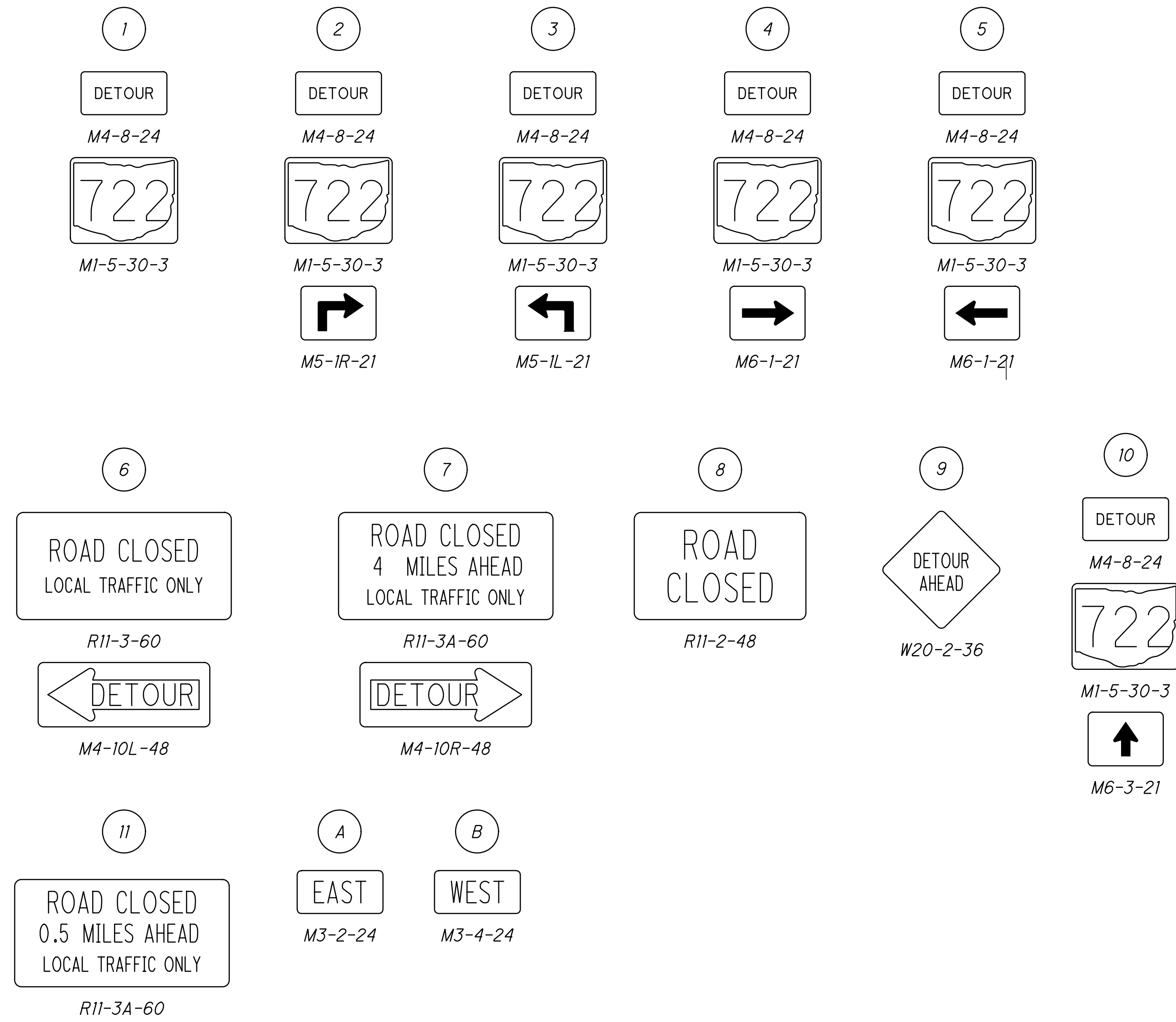
PAYMENT FOR THIS WORK SHALL BE INCLUDED IN THE LUMP SUM BID FOR ITEM 614 MAINTAINING TRAFFIC AND SHALL INCLUDE FURNISHING, ERECTING, MAINTAINING AND REMOVING THE SIGNS, INCLUDING SUPPORTS.

WILL BE
CLOSED
FOR _____ DAYS
OHIO DEPT. OF TRANSPORTATION

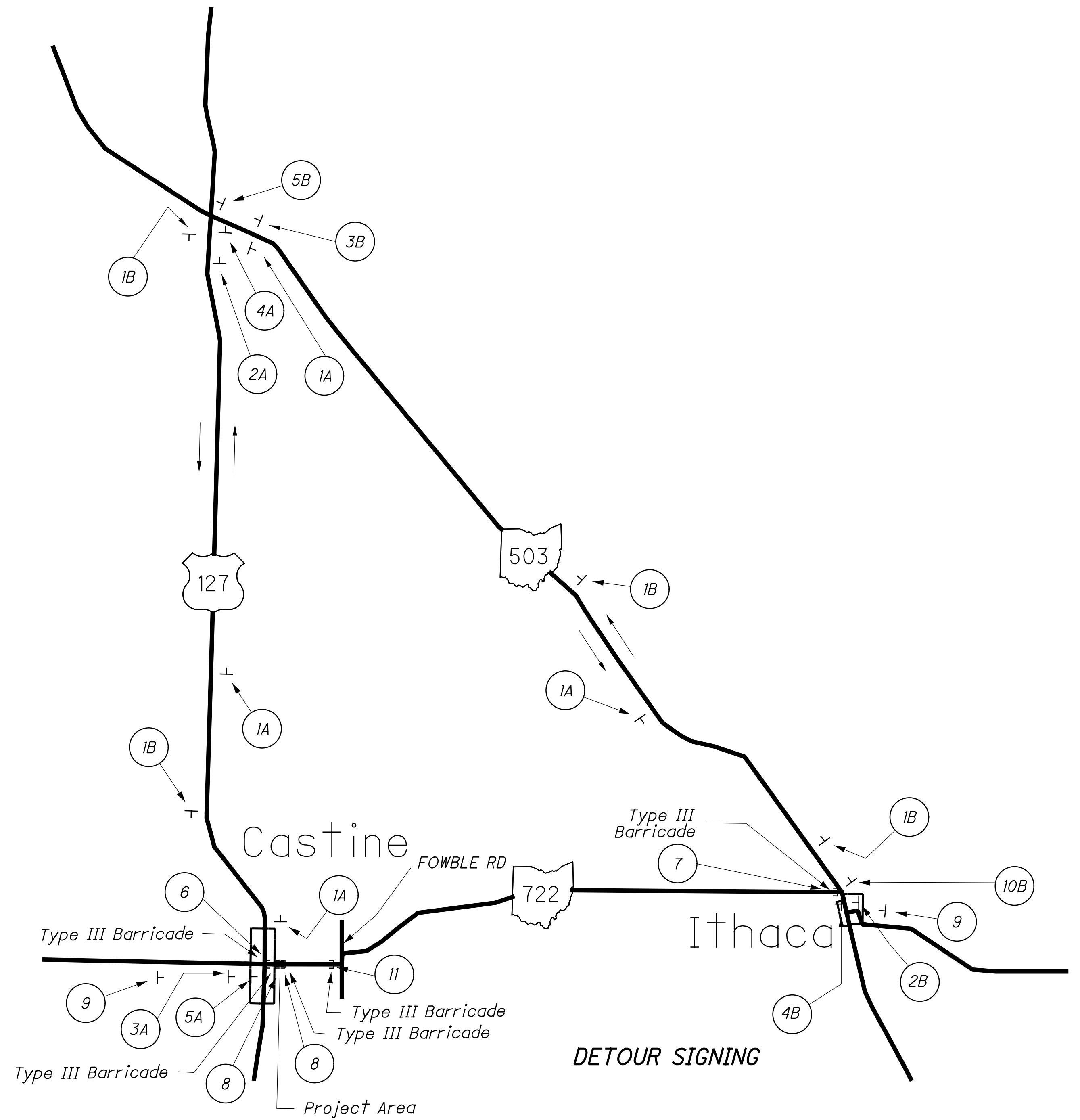
W20-H14-60

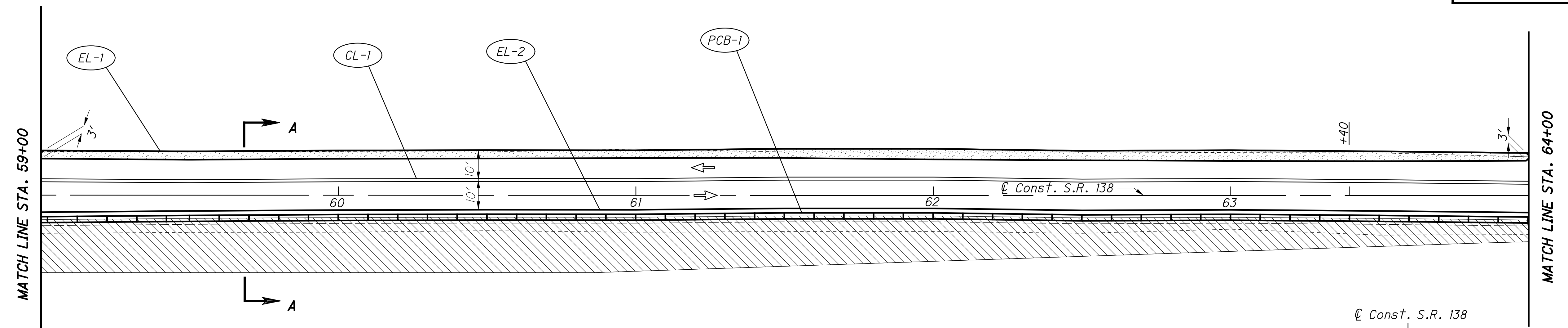
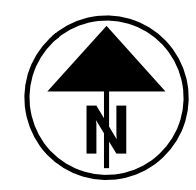


pw:\ohiodot-pw.bentley.com\ohiodot-pw-02\Documents\03_Standards\Sample_Plans\SP1306-3_2008-10.dgn Sheet 2/9/2022 3:34:02 PM tpetros

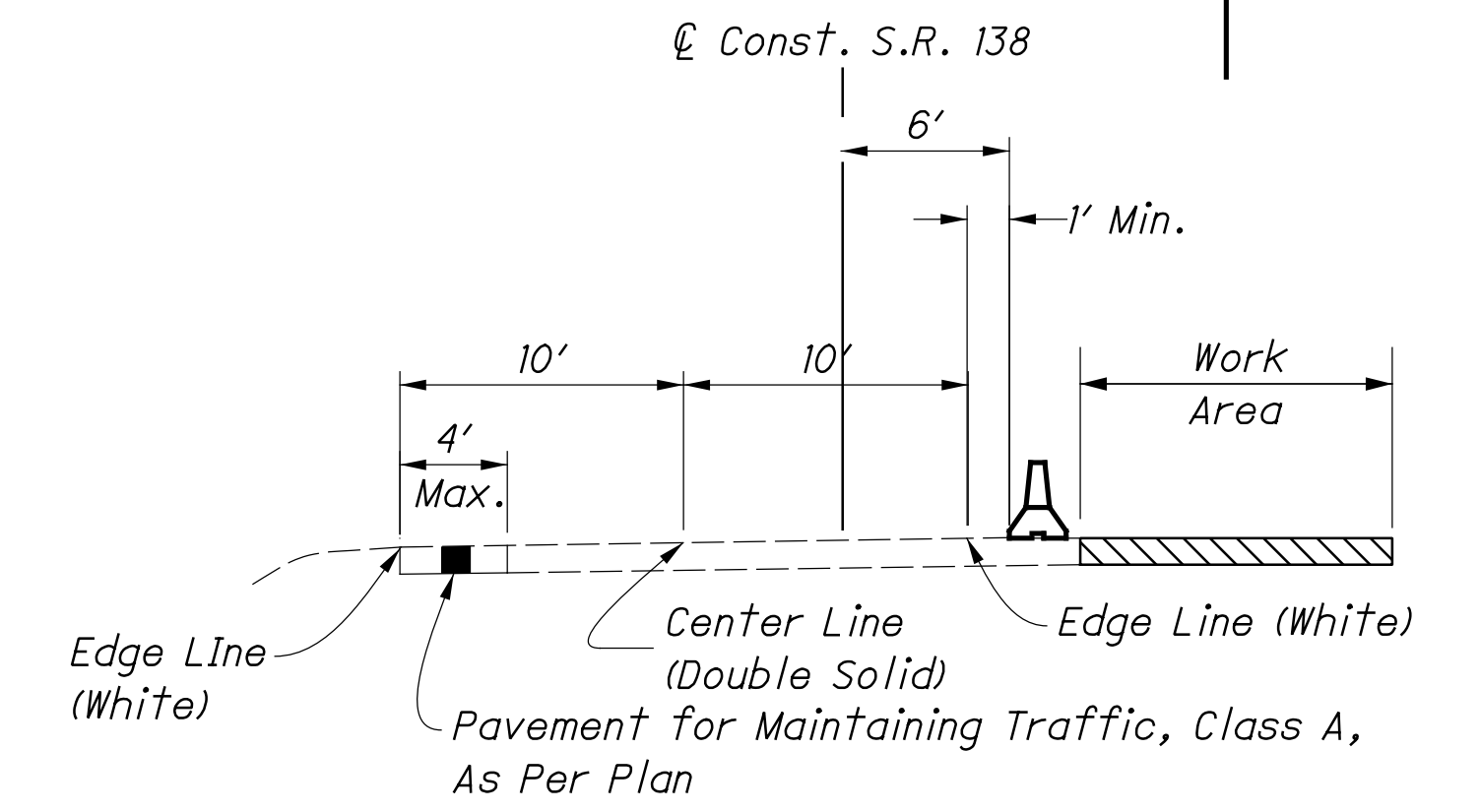


For Maintenance of Traffic Notes, see Sheet 7.

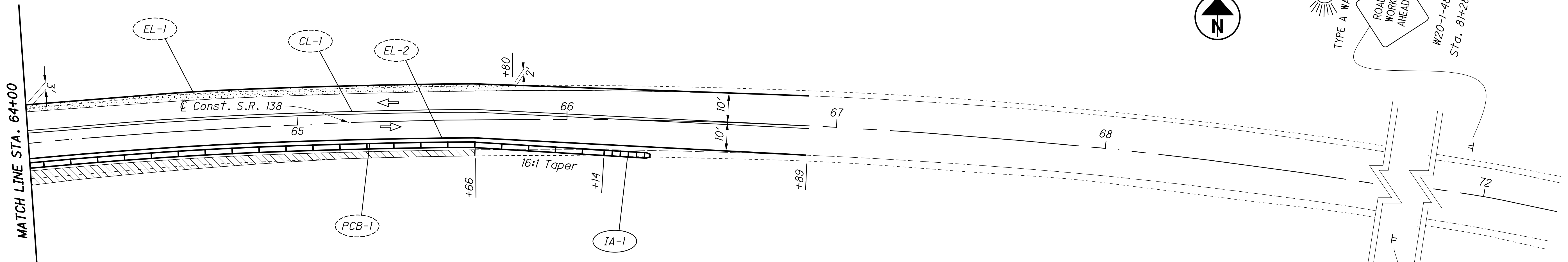
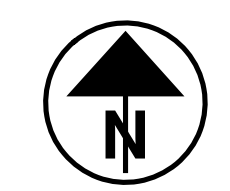




ESTIMATED QUANTITIES								
REF No.	Station to Station	Side	614				622	
			WORK ZONE IMPACT ATTENUATOR, 24" WIDE HAZARDS, (BIDIRECTIONAL) EACH	BARRIER REFLECTOR, TYPE 1 (BIDIRECTIONAL) EACH	OBJECT MARKER, TWO WAY EACH	WORK ZONE CENTER LINE, CLASS I, 740.06, TYPE I (DOUBLE SOLID) MILE	WORK ZONE EDGE LINE, CLASS I, 6", 704.06, TYPE I (WHITE) MILE	PORTABLE BARRIER, UNANCHORED FT
CL-1	59+00 to 66+89	Lt.				0.15		
EL-1	59+00 to 66+89	Lt.					0.15	
EL-2	59+00 to 66+89	Rt.					0.15	
PCB-1	59+00 to 66+14	Lt.		15	15		714	
IA-1	66+14 to 66+39	Lt.	1					
TOTALS CARRIED TO SUB-SUMMARY			1	15	15	0.15	0.30	714

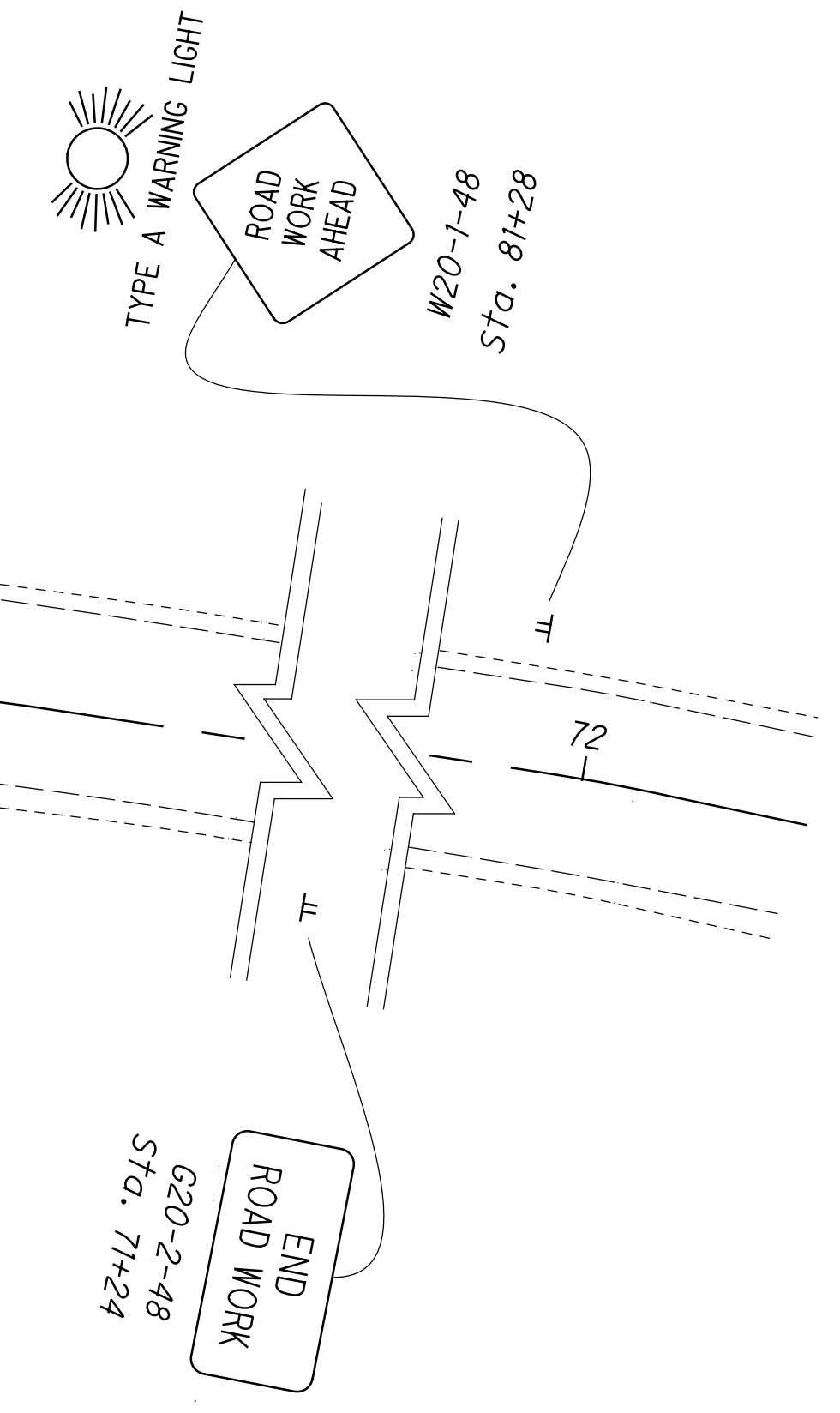


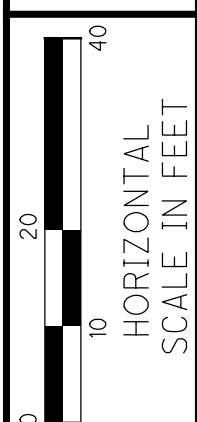
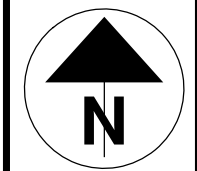
SECTION A-A



LEGEND

- Portable Barrier, Unanchored
- Area to be Constructed
- Pavement for Maintaining Traffic, Class A, As Per Plan (Constructed in Phase One)
- Direction of Traffic

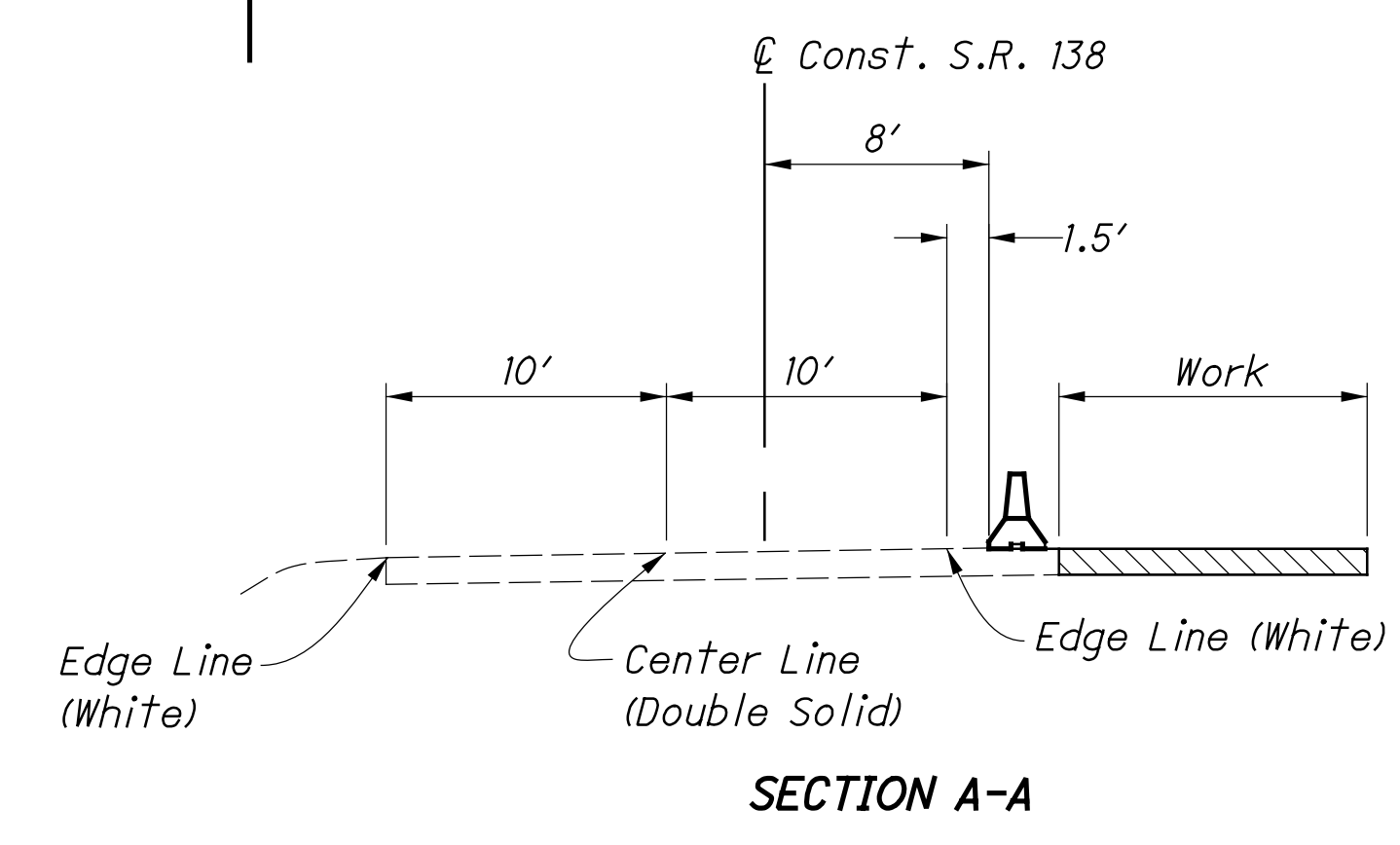
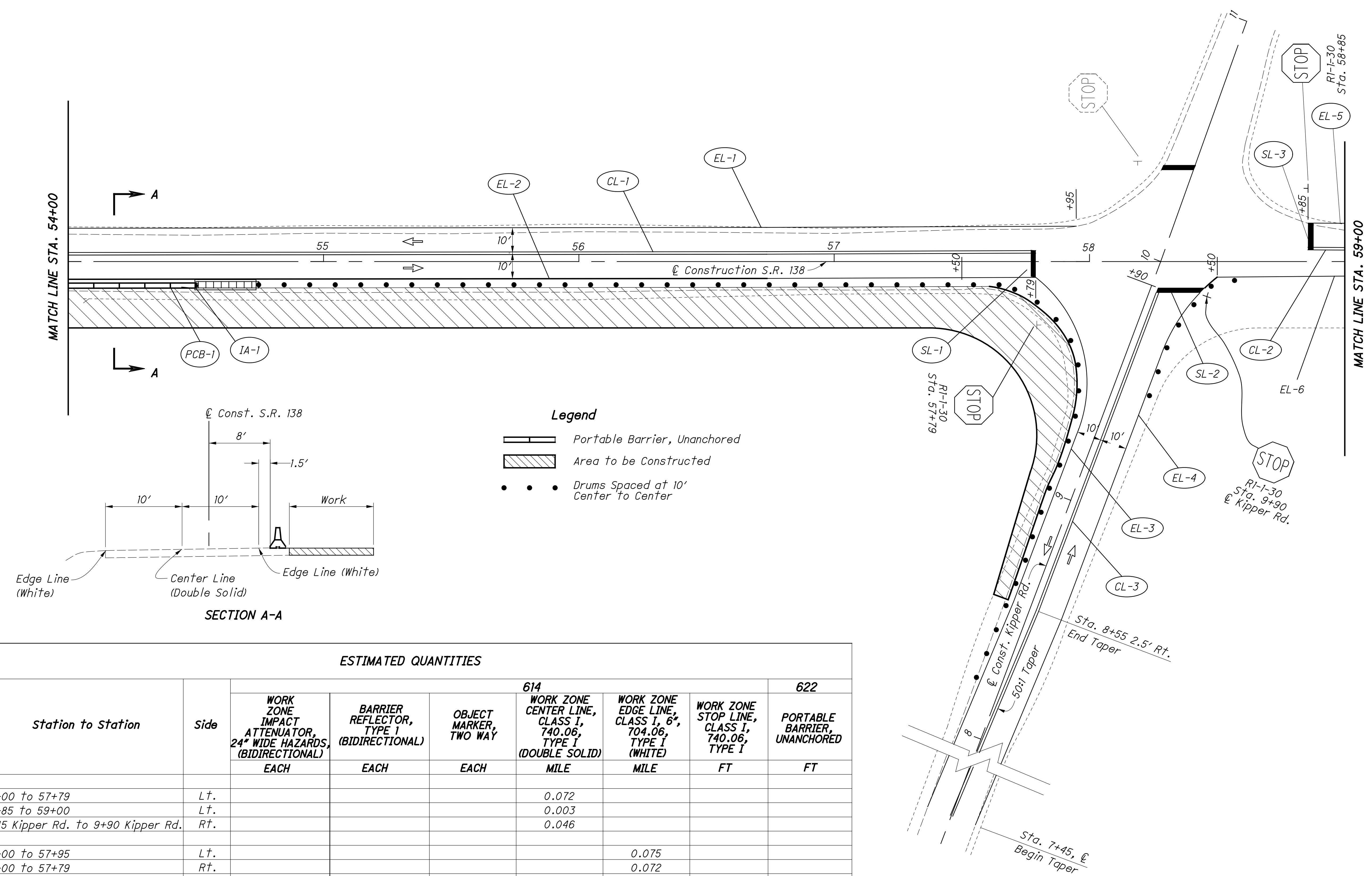




CALCULATED
DAN
CHECKED
DEK

MAINTENANCE OF TRAFFIC PHASE THREE
STA. 54+00 TO STA. 59+00

SCI-138-11.44



- Legend**
- Portable Barrier, Unanchored
 - Area to be Constructed
 - Drums Spaced at 10' Center to Center

ESTIMATED QUANTITIES									
REF No.	Station to Station	Side	WORK ZONE IMPACT ATTENUATOR, 24" WIDE HAZARDS, (BIDIRECTIONAL) EACH	BARRIER REFLECTOR, TYPE I (BIDIRECTIONAL) EACH	OBJECT MARKER, TWO WAY EACH	614	622		
						WORK ZONE CENTER LINE, CLASS I, 740.06, TYPE I (DOUBLE SOLID) MILE	WORK ZONE EDGE LINE, CLASS I, 704.06, TYPE I (WHITE) MILE	WORK ZONE STOP LINE, CLASS I, 740.06, TYPE I FT	PORTABLE BARRIER UNANCHORED FT
CL-1	54+00 to 57+79	Lt.				0.072			
CL-2	58+85 to 59+00	Lt.				0.003			
CL-3	7+45 Kipper Rd. to 9+90 Kipper Rd.	Rt.				0.046			
EL-1	54+00 to 57+95	Lt.					0.075		
EL-2	54+00 to 57+79	Rt.					0.072		
EL-3	57+79 to 7+45 Kipper Rd.	Rt.					0.051		
EL-4	7+45 Kipper Rd. to 58+50	Rt.					0.049		
EL-5	58+85 to 59+00	Lt.					0.003		
EL-6	58+50 to 59+00	Rt.					0.009		
SL-1	57+79	Rt.						15	
SL-2	9+90 Kipper Rd.	Rt.						18	
SL-3	58+85	Rt.						10	
PCB-1	54+00 to 54+50	Rt.		2	2			50	
IA-1	54+50 to 54+75	Rt.	1						
TOTALS CARRIED TO SUBSUMMARY			1	2	2	0.05	0.10	43	50

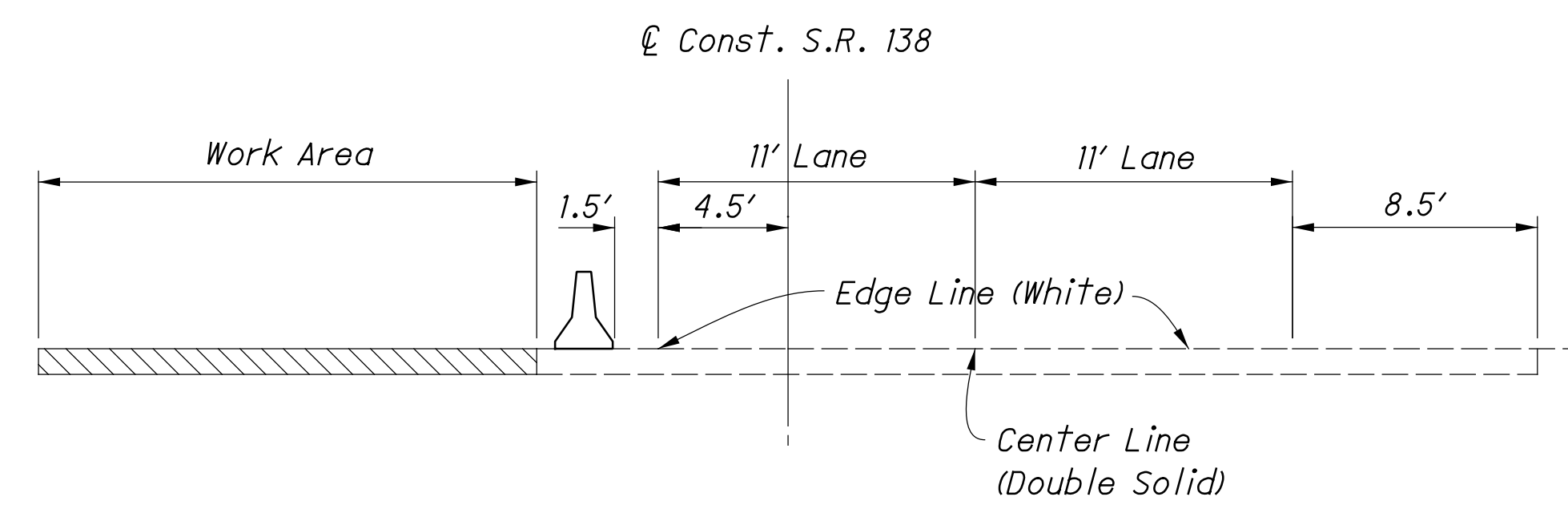
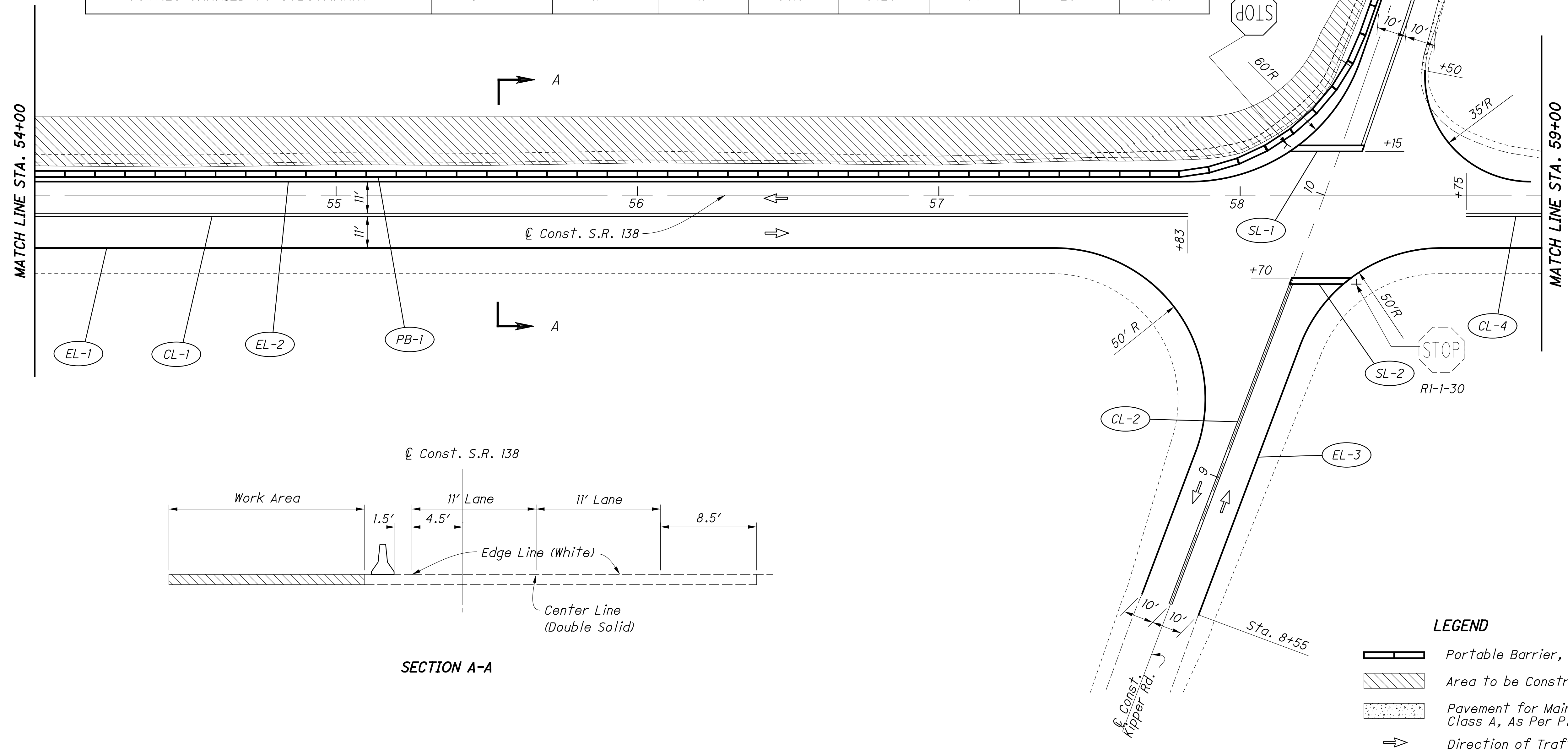


0 20 40
HORIZONTAL
SCALE IN FEET

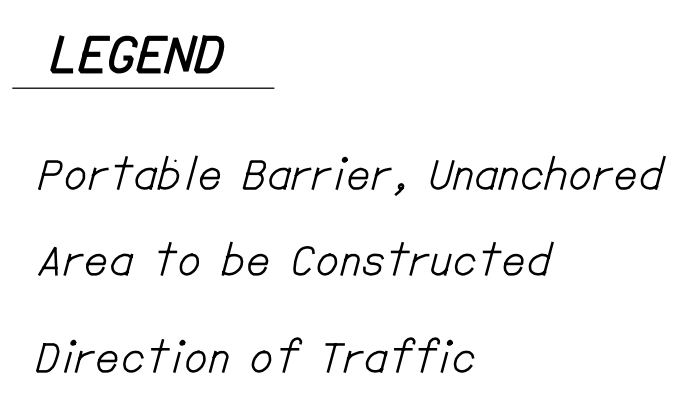
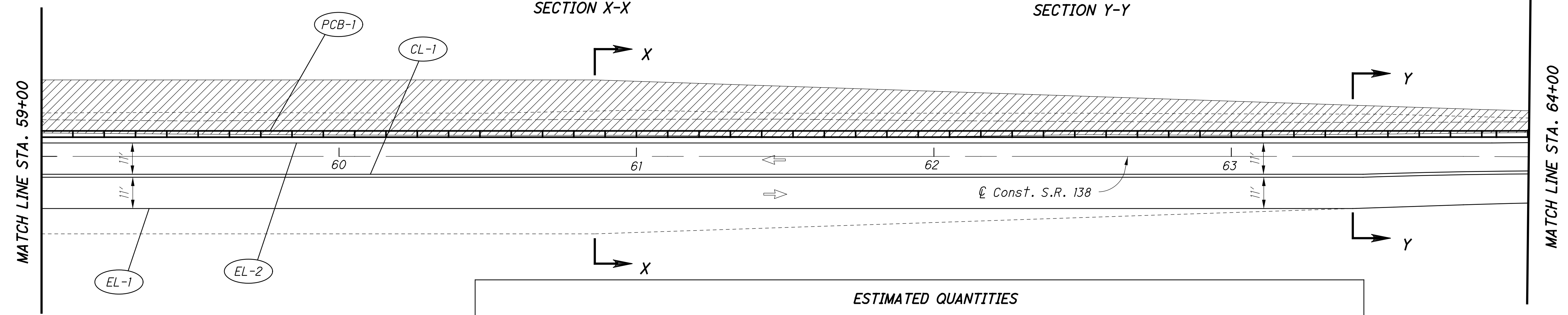
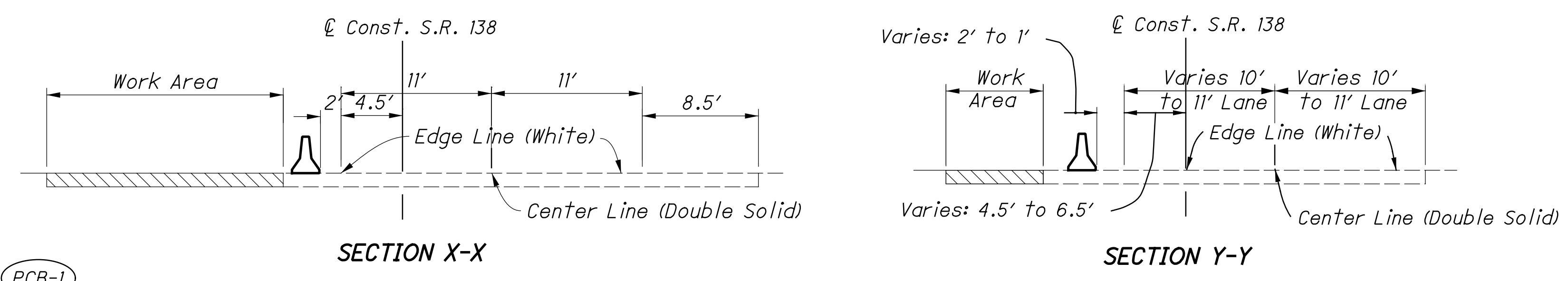
MAINTENANCE OF TRAFFIC PHASE FOUR
STA. 54+00 TO STA. 59+00

SCI-138-11.44

ESTIMATED QUANTITIES										
REF No.	Station to Station	SIDE	614			615			622	
			WORK ZONE IMPACT ATTENUATOR, 24" WIDE HAZARDS, (BIDIRECTIONAL) EACH	BARRIER REFLECTOR, TYPE 1 (BIDIRECTIONAL) EACH	OBJECT MARKER, TWO WAY EACH	WORK ZONE CENTER LINE, CLASS I, 740.06, TYPE 1 (DOUBLE SOLID) MILE	WORK ZONE EDGE LINE, CLASS I, 6", 704.06, TYPE 1 (WHITE) MILE	WORK ZONE STOP LINE, CLASS I, 6", 740.06, TYPE I FT	PAVEMENT FOR MAINTAINING TRAFFIC, CLASS A, AS PER PLAN SY	PORTABLE BARRIER, UNANCHORED FT
CL-1	54+00 to 57+83	Rt.				0.07				
CL-2	8+55 Kipper Rd. to 9+70 Kipper Rd.	Rt.				0.02				
CL-3	10+15 Kipper Rd. to 11+45 Kipper Rd.	Lt.				0.03				
CL-4	58+75 to 59+00	Rt.				0.01				
EL-1	54+00 to 8+55 Kipper Rd	Rt.					0.09			
EL-2	54+00 to 12+00 Kipper Rd.	Lt.					0.12			
EL-3	8+55 Kipper Rd. to 59+00	Rt.					0.04			
EL-4	11+45 Kipper Rd. to 59+00	Lt.					0.03			
SL-1	10+15 Kipper Rd	Lt.						24		
SL-2	9+70 Kipper Rd.	Rt.						20		
PCB-1	54+00 to 11+48 Kipper Rd.	Lt.		11	11					578
IA-1	11+48 Kipper Rd. to 11+73 Kipper Rd.	Lt.	1							
TP-1	10+50 Kipper Rd. to 11+70 Kipper Rd.	Rt.						20		
TOTALS CARRIED TO SUBSUMMARY			1	11	11	0.13	0.28	44	20	578

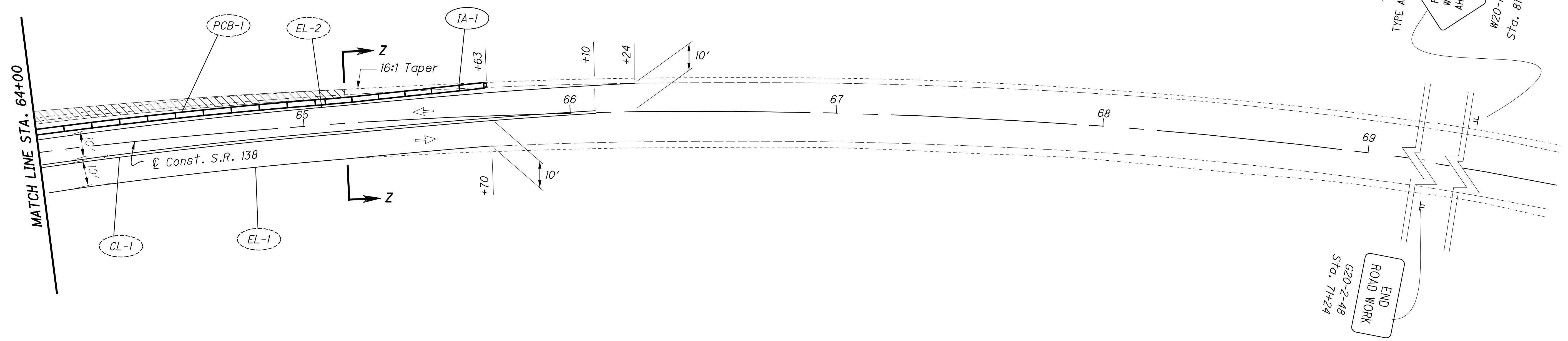
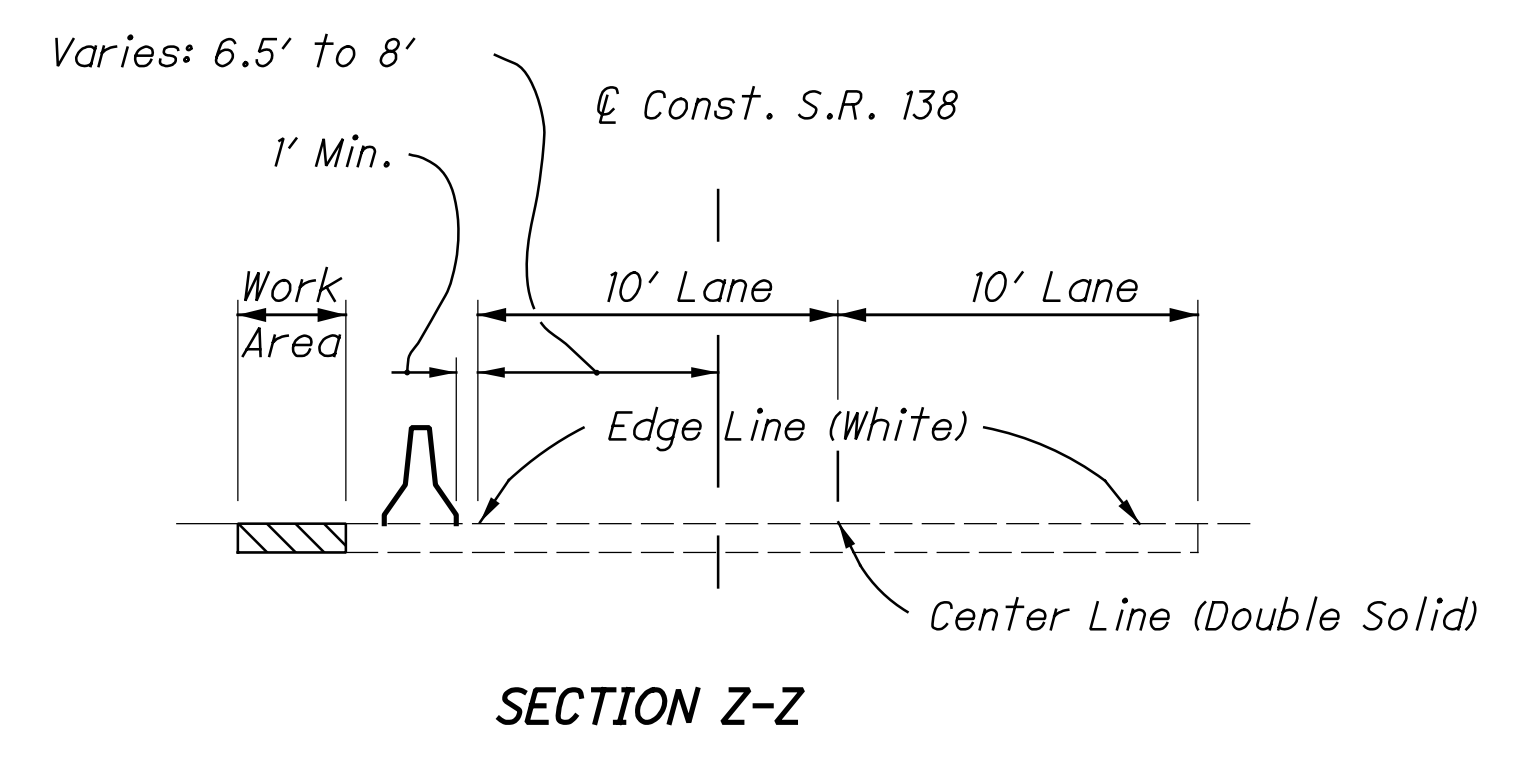


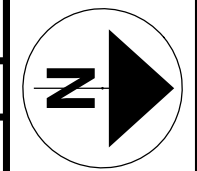
- LEGEND**
- Portable Barrier, Unanchored
 - Area to be Constructed
 - Pavement for Maintaining Traffic, Class A, As Per Plan
 - Direction of Traffic



ESTIMATED QUANTITIES

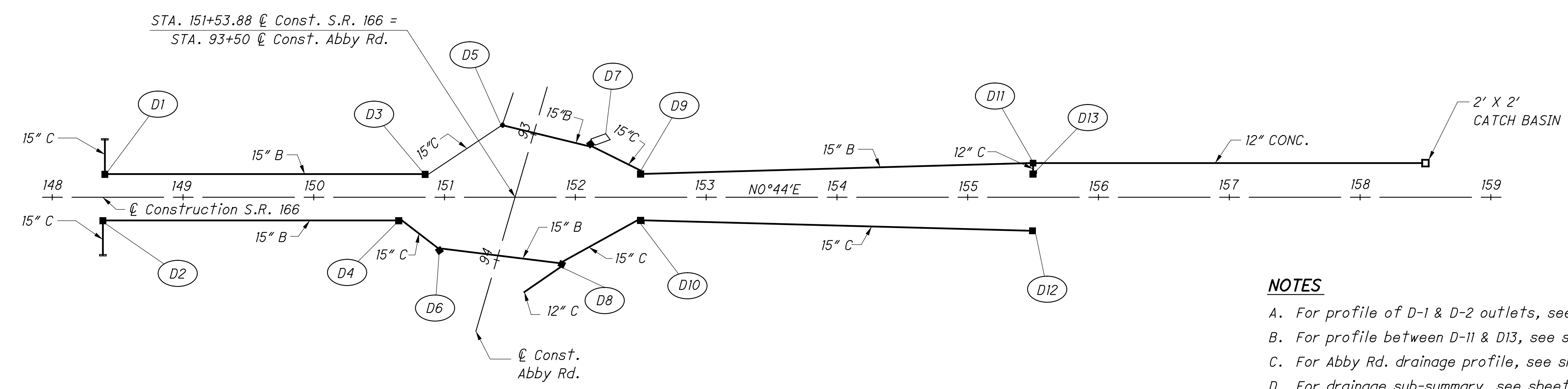
REF No.	Station to Station	SIDE	614				622	
			REMOVE AND REPLACE IMPACT ATTENUATOR	BARRIER REFLECTOR, TYPE 1 (BIDIRECTIONAL)	OBJECT MARKER, TWO WAY	WORK ZONE CENTER LINE, CLASS I, 740.06, TYPE 1 (DOUBLE SOLID)	WORK ZONE EDGE LINE, CLASS I, 6", 704.06, TYPE 1 (WHITE)	PORTABLE BARRIER, UNANCHORED
			EACH	EACH	EACH	MILE	MILE	FT
CL-1	59+00 to 66+10	Rt.				0.13		
EL-1	59+00 to 65+70	Rt.				0.13		
EL-2	59+00 to 66+24	Lt.				0.14		
PCB-1	59+00 to 65+38	Lt.		14	14		638	
IA-1	65+38 to 65+63	Lt.	1					
TOTALS CARRIED TO SUBSUMMARY			1	14	14	0.13	0.27	638



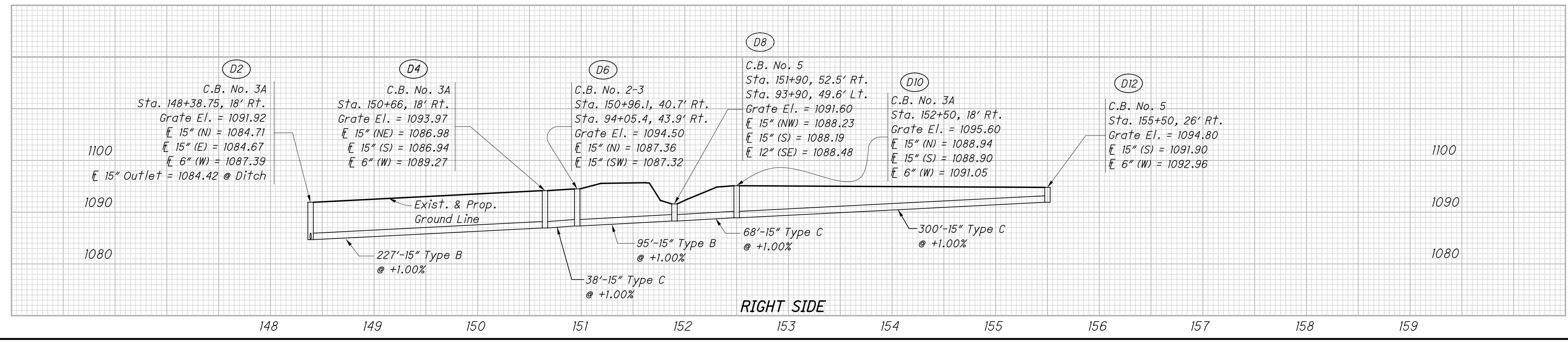
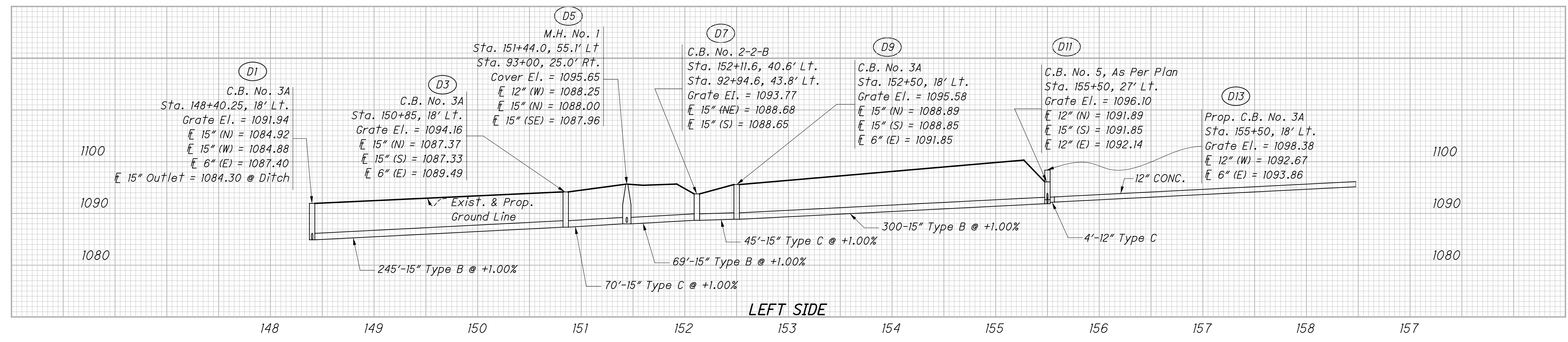


CALCULATED
MSQ
CHECKED
PDG

0 50 100
25
HORIZONTAL
SCALE IN FEET



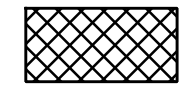
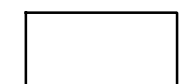


- NOTES**
- A. For profile of D-1 & D-2 outlets, see sheet 20.
 - B. For profile between D-11 & D13, see sheet 26.
 - C. For Abby Rd. drainage profile, see sheet 41.
 - D. For drainage sub-summary, see sheets 14-16.
 - E. For S.R.166 plan & profile, see sheets 17-19.

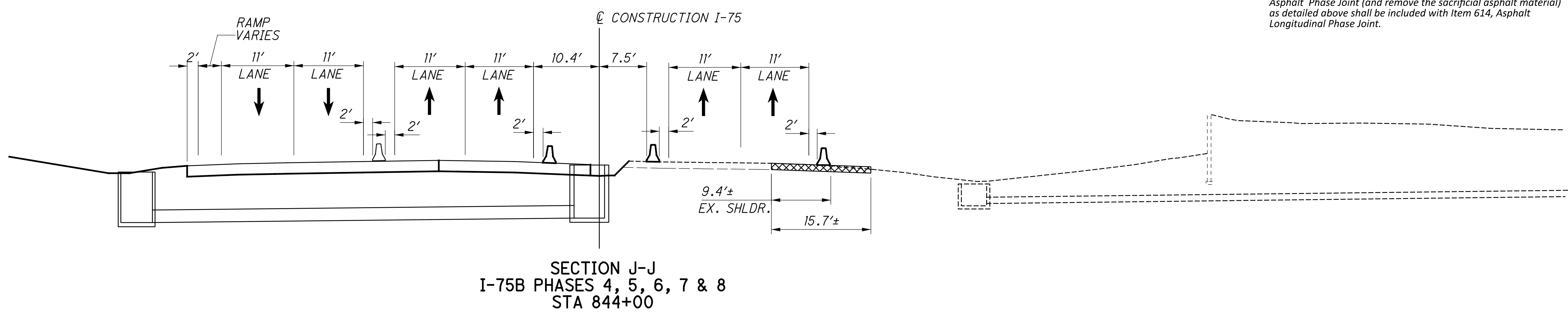
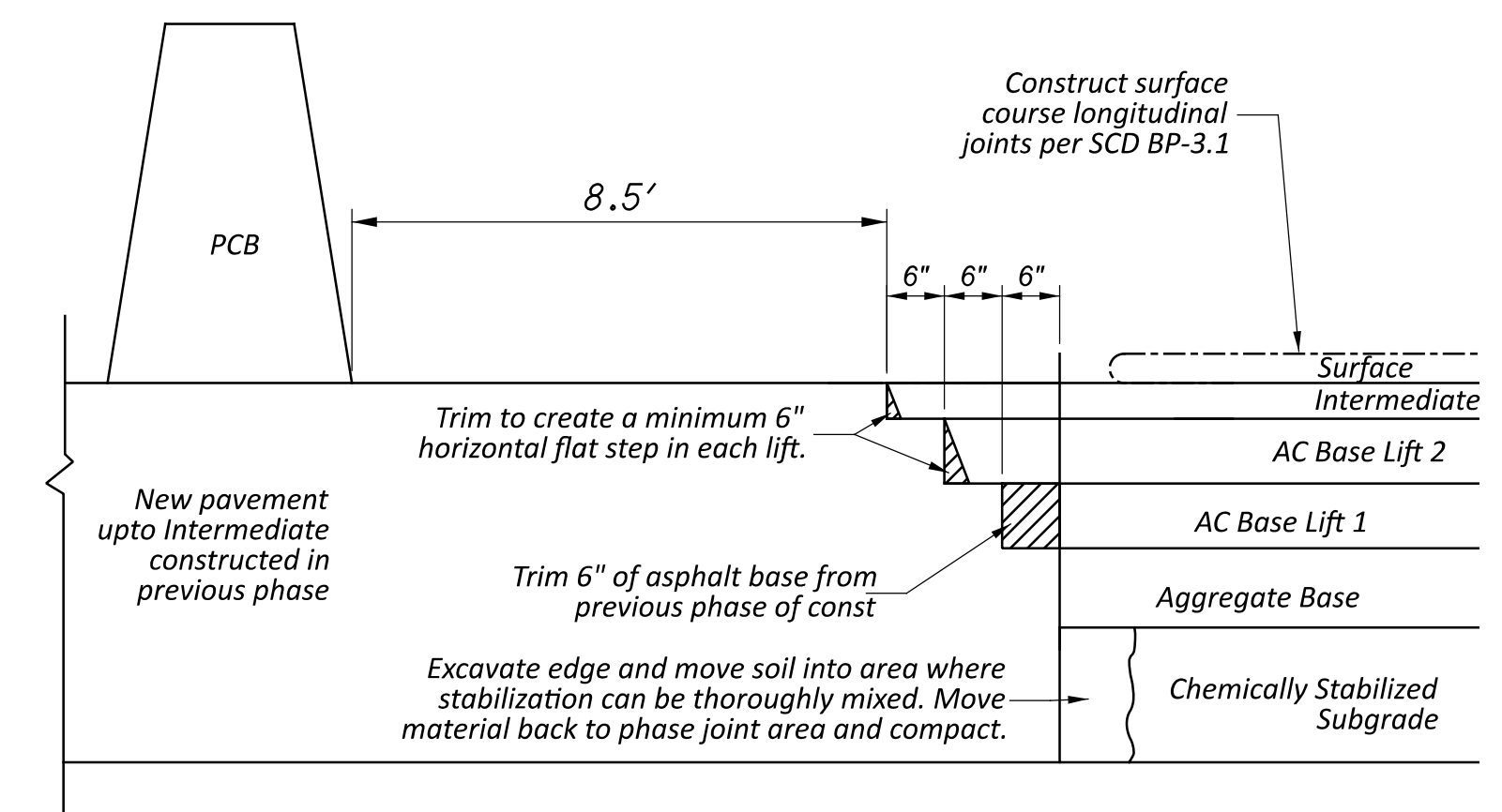
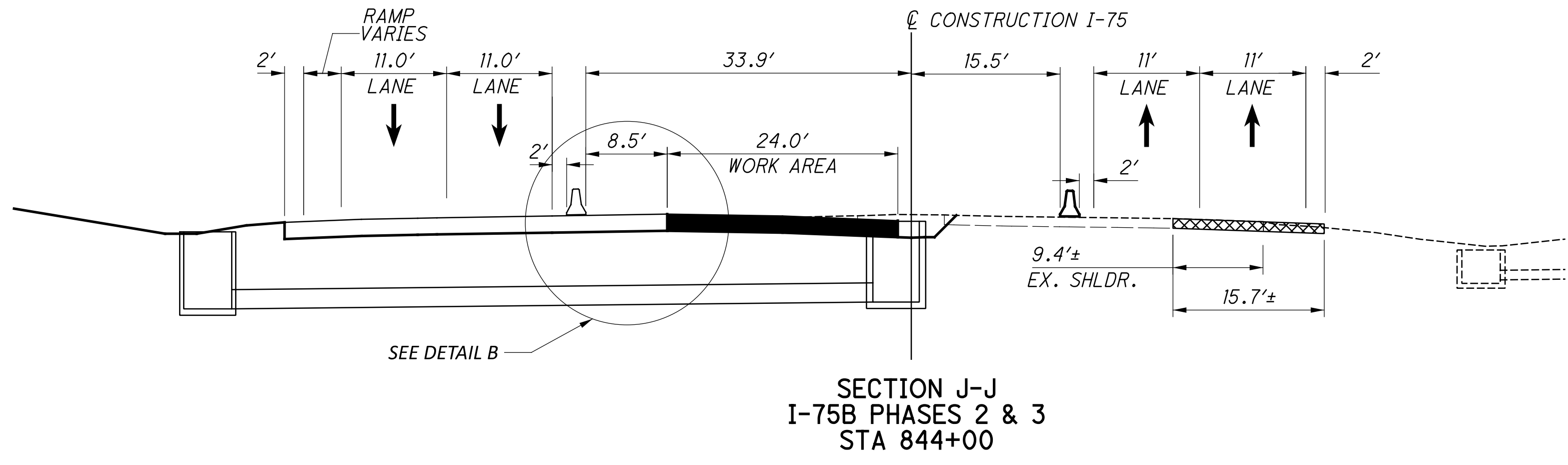
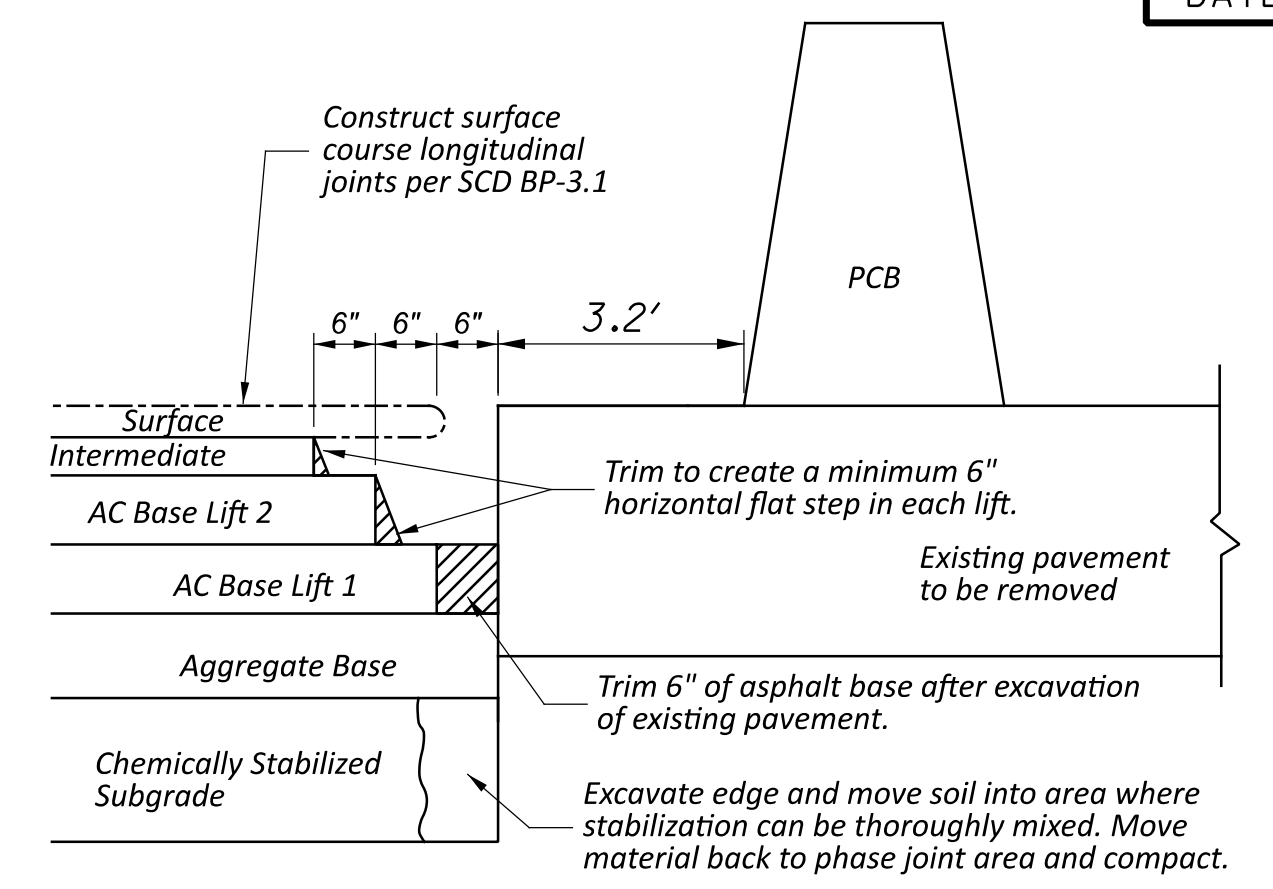
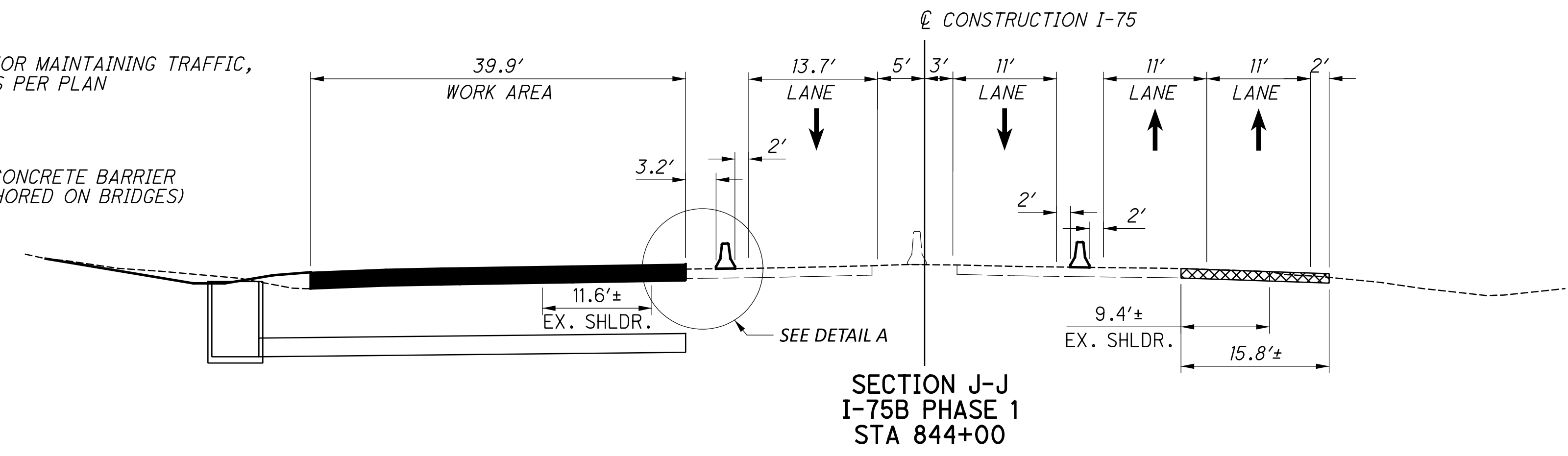


S.R. 166 DRAINAGE PROFILE

RIC-166-8.37

LEGEND:

-  - PAVEMENT FOR MAINTAINING TRAFFIC, CLASS A, AS PER PLAN
-  - PROPOSED
-  - PORTABLE CONCRETE BARRIER (TO BE ANCHORED ON BRIDGES)
-  - DRUMS



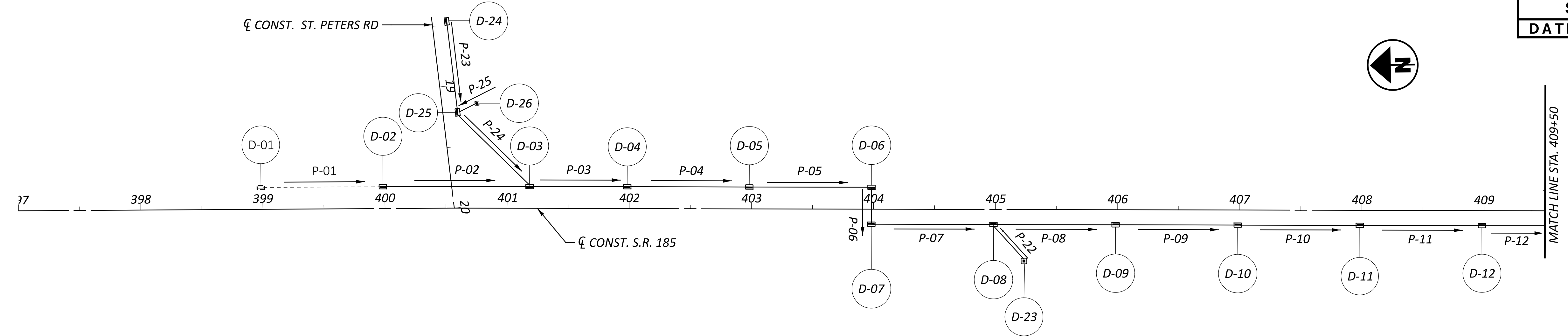
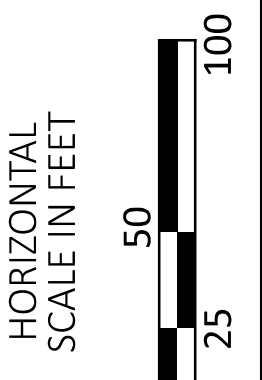
NOTES:

1. Trim the edge of any newly placed lift being paved against to provide a stable and clean vertical surface to pave against.
2. All materials, equipment, and labor to construct the Longitudinal Asphalt Phase Joint (and remove the sacrificial asphalt material) as detailed above shall be included with Item 614, Asphalt Longitudinal Phase Joint.

p:\ohiodot-pw.bentley.com\ohiodot-pw-02\Documents\03_Standards\PLS_SCD\Traffic_Control\Working_Folder\Sample_Plan\SP1306-4e.dgn_Sheet_12/19/2023 10:31:58 AM kfiart

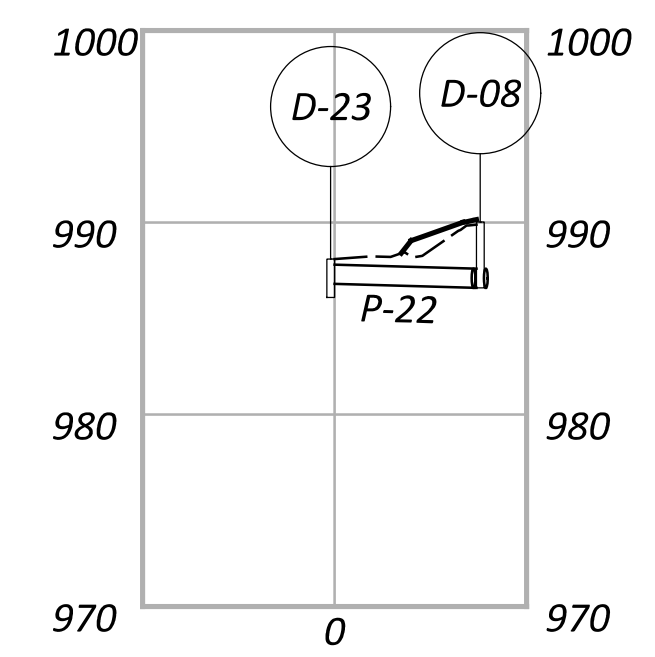
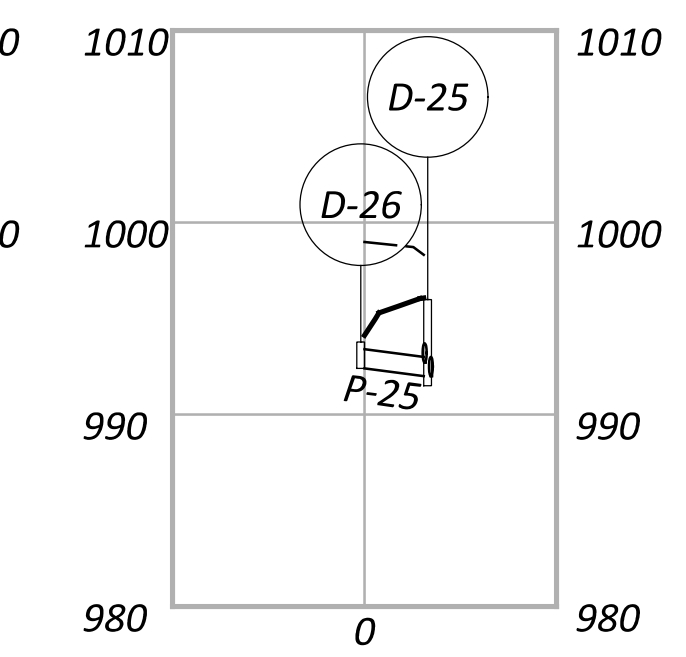
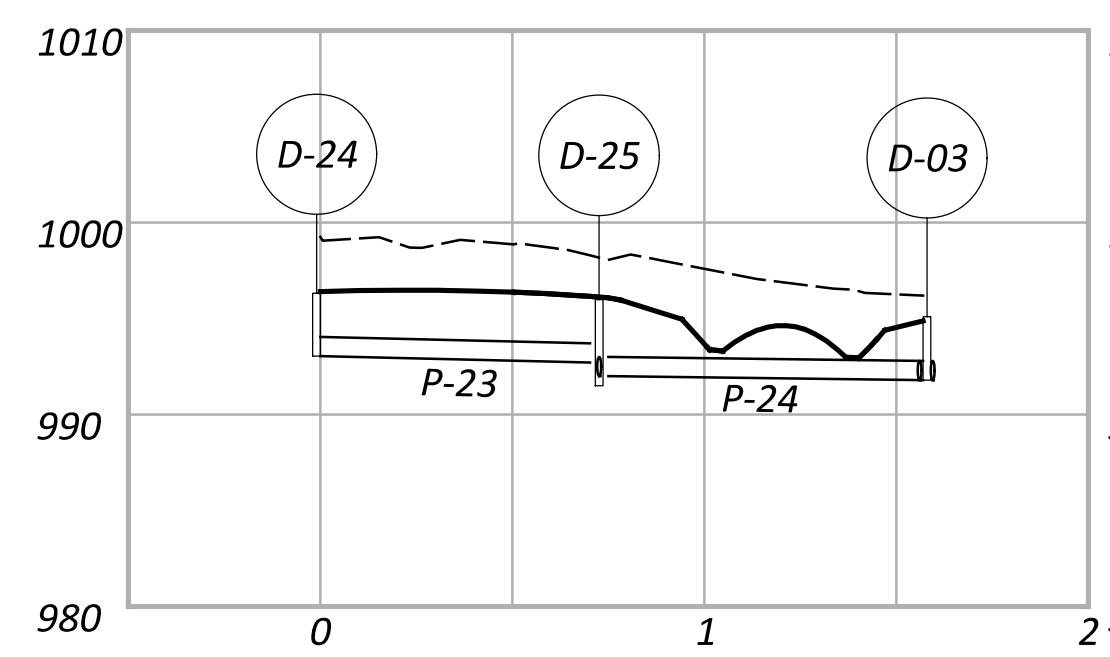
MAINTENANCE OF TRAFFIC TYPICAL SECTIONS ZONE - 75B

HAN-75-14.39

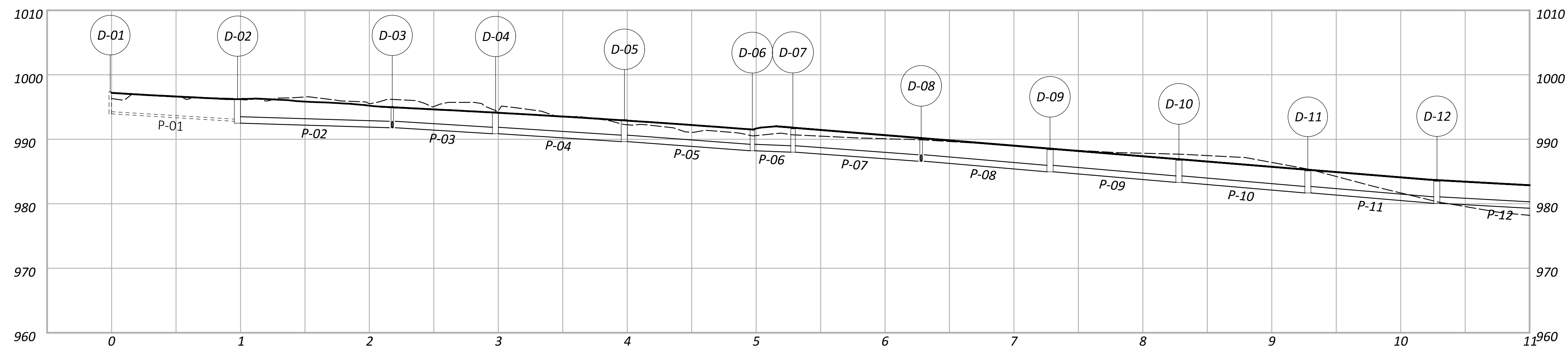


DRAINAGE CONDUIT DETAILS									
REF. NO.	LENGTH (FT)	SIZE	TYPE	SLOPE	START STRUCT. REF. NO.	START INVERT ELEV.	STOP STRUCT. REF. NO.	STOP INVERT ELEV.	EXISTING DISPOSITION
P-01	100.00	4"	EX. CMP	1.16 %	D-01	993.95	D-02	992.79	TO BE REMOVED
P-02	120.00	12"	TYPE B	0.59 %	D-02	992.50	D-03	991.79	
P-03	80.00	12"	TYPE B	1.16 %	D-03	991.79	D-04	990.86	
P-04	100.00	12"	TYPE B	1.22 %	D-04	990.86	D-05	989.64	
P-05	100.00	12"	TYPE B	1.42 %	D-05	989.64	D-06	988.22	
P-06	30.00	12"	TYPE B	0.73 %	D-06	988.22	D-07	988.00	
P-07	100.00	12"	TYPE B	1.40 %	D-07	988.00	D-08	986.60	
P-08	100.00	12"	TYPE B	1.64 %	D-08	986.60	D-09	984.96	
P-09	100.00	12"	TYPE B	1.64 %	D-09	984.96	D-10	983.32	
P-10	100.00	12"	TYPE B	1.64 %	D-10	983.32	D-11	981.68	
P-11	100.00	12"	TYPE B	1.61 %	D-11	981.68	D-12	980.07	
P-12	100.00	12"	TYPE B	1.04 %	D-12	980.07	D-13	979.03	
P-22	39.00	12"	TYPE B	0.51 %	D-23	986.80	D-08	986.60	
P-23	75.00	12"	TYPE B	0.44 %	D-24	993.04	D-25	992.71	
P-24	85.00	12"	TYPE B	0.25 %	D-25	992.00	D-03	991.79	
P-25	18.00	12"	TYPE B	2.29 %	D-26	992.40	D-25	992.00	

DRAINAGE STRUCTURE DETAILS									
REF. NO.	REFERENCE ALIGNMENT	STATION	OFFSET	SIDE	TYPE	GRATE/RIM ELEV.	INVERT ELEV.	CONNECTED PIPES	EXISTING DISPOSITION
D-01	S.R. 185	398+98.36	18.22	LT	EX. CB-3	997.37	993.95	(OUT) P-01 S EX. 4" 993.95	TO BE REMOVED
D-02	S.R. 185	399+98.36	18.23	LT	CB-3	996.30	992.50	(IN) P-01 N EX. 4" 992.79, (OUT) P-02 S 12" 992.5	
D-03	S.R. 185	401+18.33	18.21	LT	CB-3	995.10	991.79	(IN) P-24 NE 12" 991.79, (IN) P-02 N 12" 991.79, (OUT) P-03 S 12" 991.79	
D-04	S.R. 185	401+98.34	18.22	LT	CB-3	994.27	990.86	(IN) P-03 N 12" 990.86, (OUT) P-04 S 12" 990.86	
D-05	S.R. 185	402+98.33	18.21	LT	CB-3	993.06	989.64	(IN) P-04 N 12" 989.64, (OUT) P-05 S 12" 989.64	
D-06	S.R. 185	403+98.33	18.21	LT	CB-3	991.63	988.22	(IN) U-1 E 6" 990.63, (IN) P-05 N 12" 988.22, (OUT) P-06 W 12" 988.22	
D-07	S.R. 185	403+98.33	12.63	RT	CB-3	991.63	988.00	(IN) U-2 W 6" 990.63, (IN) P-06 E 12" 988, (OUT) P-07 S 12" 988	
D-08	S.R. 185	404+98.32	12.62	RT	CB-3	990.02	986.60	(IN) P-22 SW 12" 986.6, (IN) P-07 N 12" 986.6, (OUT) P-08 S 12" 986.6	
D-09	S.R. 185	405+98.32	12.62	RT	CB-3	988.38	984.96	(IN) P-08 N 12" 984.96, (OUT) P-09 S 12" 984.96	
D-10	S.R. 185	406+98.33	12.63	RT	CB-3	986.74	983.32	(IN) P-09 N 12" 983.32, (OUT) P-10 S 12" 983.32	
D-11	S.R. 185	407+98.32	12.62	RT	CB-3	985.10	981.68	(IN) P-10 N 12" 981.68, (OUT) P-11 S 12" 981.68	
D-12	S.R. 185	408+98.32	12.62	RT	CB-3	983.48	980.07	(IN) P-11 N 12" 980.07, (OUT) P-12 S 12" 980.07	
D-23	S.R. 185	405+23.33	42.21	RT	CB-2-3	988.10	986.10	(OUT) P-22 NE 12" 986.8	
D-24	ST. PETER RD.	18+47.32	12.36	LT	CB-3	996.32	993.04	(OUT) P-23 W 12" 993.04	
D-25	ST. PETER RD.	19+22.32	12.35	LT	CB-3	995.99	991.50	(IN) P-23 E 12" 992.71, (IN) P-25 SE 12" 992, (OUT) P-24 SW 12" 992	
D-26	ST. PETER RD.	19+17.02	28.68	LT	CB-2-2A	993.77	992.40	(OUT) P-25 NW 12" 992.4	



CROSS REFERENCES	
SHEET NO.	DESCRIPTION
P.15	UNDERDRAIN DETAILS



DRAINAGE DETAILS

DESIGN AGENCY

DESIGNER
JED

REVIEWER
ME 11-21-23

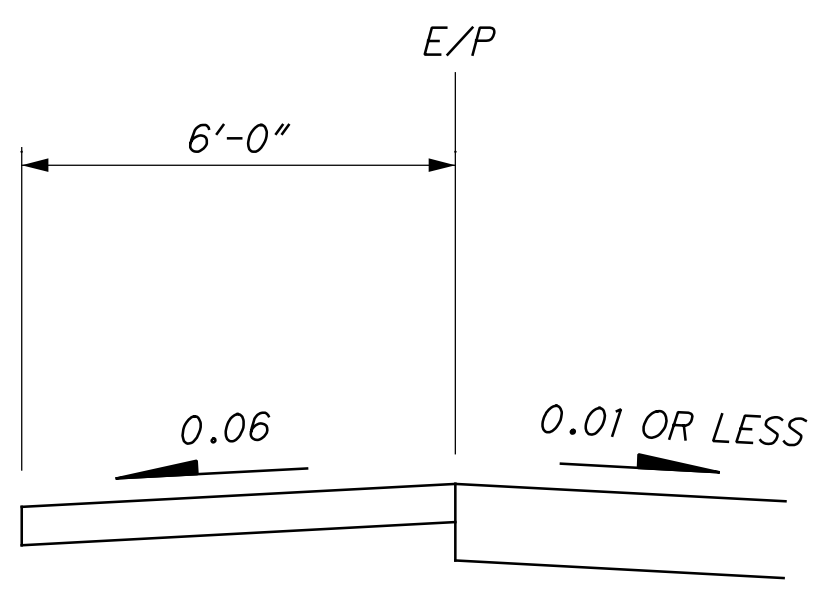
PROJECT ID
123456

SHEET TOTAL
P.20 154

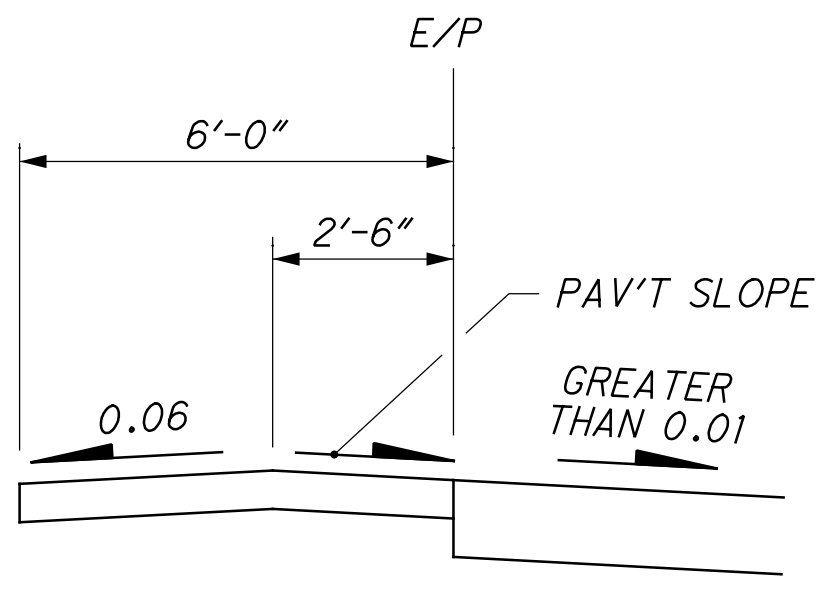
DAR-185-0000

MODEL: CLP_S185_V3 - Plan 6 [Sheet] PAPER SIZE: 34x22 (in.) DATE: 12/19/2023 TIME: 1:38:59 PM USER: jdsek
pw:\ohiodot-pw-bentley.com\ohiodot-pw-04\Documents\04_Admin Configuration\CADD Standards Dev\Worksheets\000000_ID_Misc\400-Engineering\Drainage_Roll\Plot\Sheets\SP1312-4(b).dgn

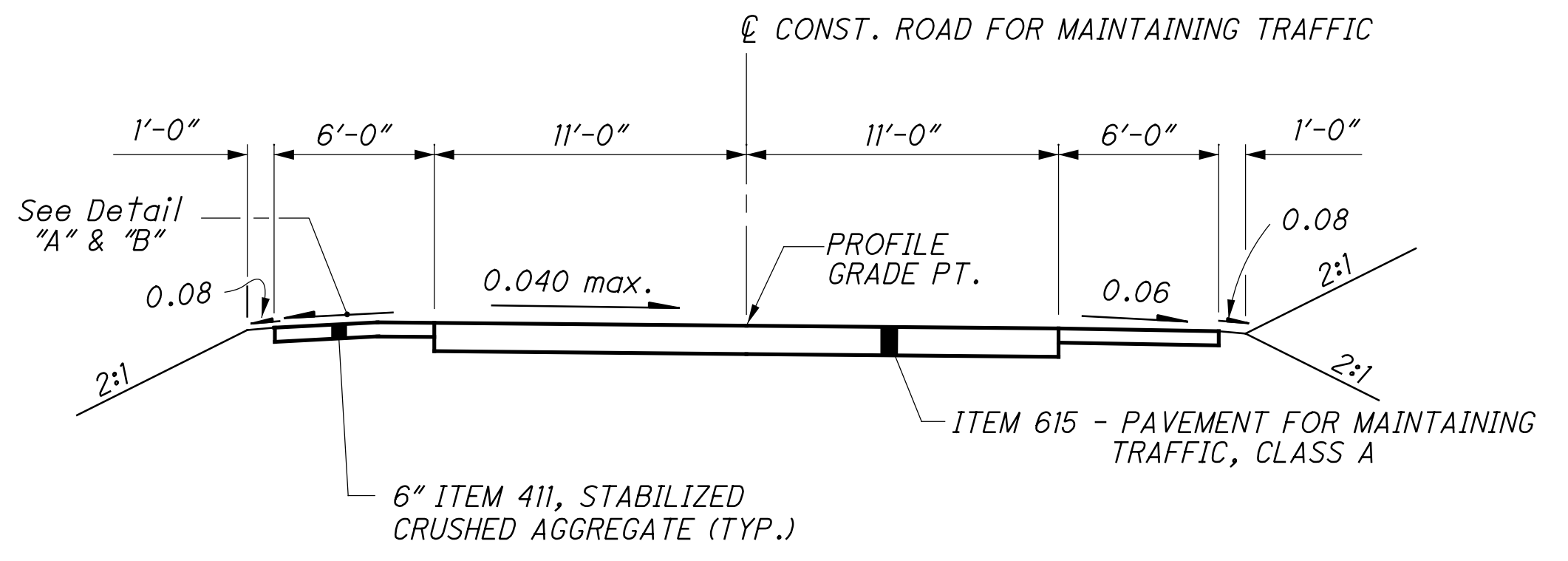
ROAD FOR MAINTAINING TRAFFIC PAVEMENT EDGE ELEVATIONS		
11' LEFT	STATION	11' RIGHT
MEET EXISTING	5+65	MEET EXISTING
846.84	5+75	847.72
845.60	6+00	846.23
844.52	6+25	844.90
843.57	6+50	843.71
842.75	6+75	842.67
842.06	7+00	841.78
841.51	7+25	841.05
841.10	7+50	840.45
840.84	7+75	839.99
840.54	8+00	839.85
840.36	8+25	839.88
840.32	8+50	840.02
840.42	8+75	840.23
840.66	9+00	840.58
841.07	9+25	841.07
841.70	9+50	841.70
842.48	9+75	842.48
843.40	10+00	843.40
844.46	10+25	844.46
845.66	10+50	845.66
847.01	10+75	847.01
848.49	11+00	848.49
850.08	11+25	850.08
851.58	11+50	851.54
852.99	11+75	852.84
854.21	12+00	853.98
855.25	12+25	854.95
856.10	12+50	855.76
856.75	12+75	856.41
857.13	13+00	857.01
857.33	13+25	857.45
MEET TAPER SECTION	13+50	MEET TAPER SECTION



DETAIL "A"

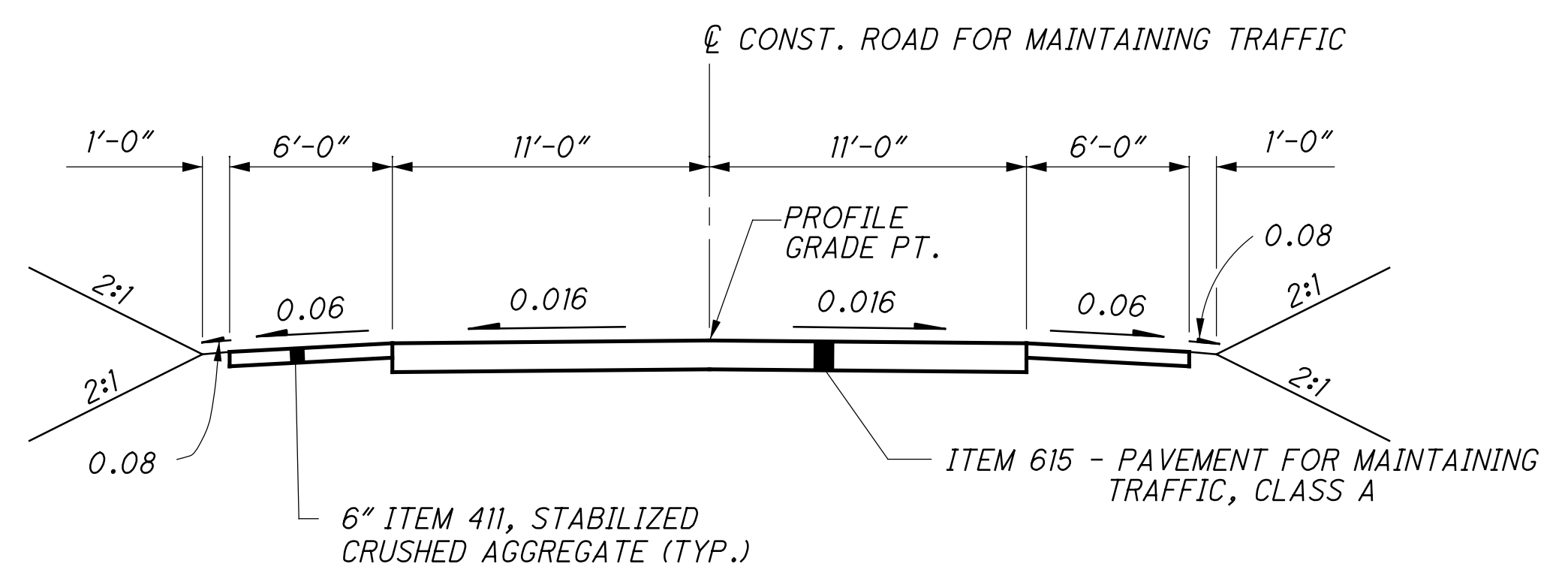


DETAIL "B"



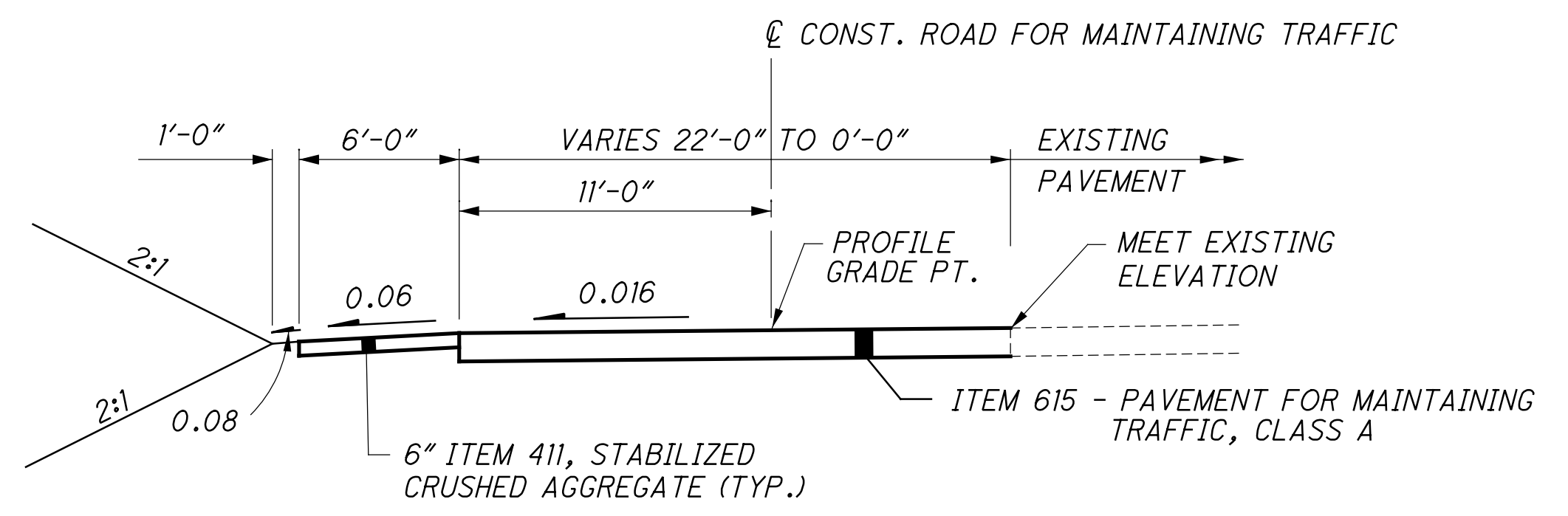
SUPERELEVATED SECTION

STA. 5+65.00 TO STA. 6+64.00
STA. 6+64.00 TO STA. 9+20.00 (OPPOSITE HAND)
STA. 11+40.00 TO STA. 13+50.00



NORMAL SECTION

STA. 9+20.00 TO STA. 11+40.00



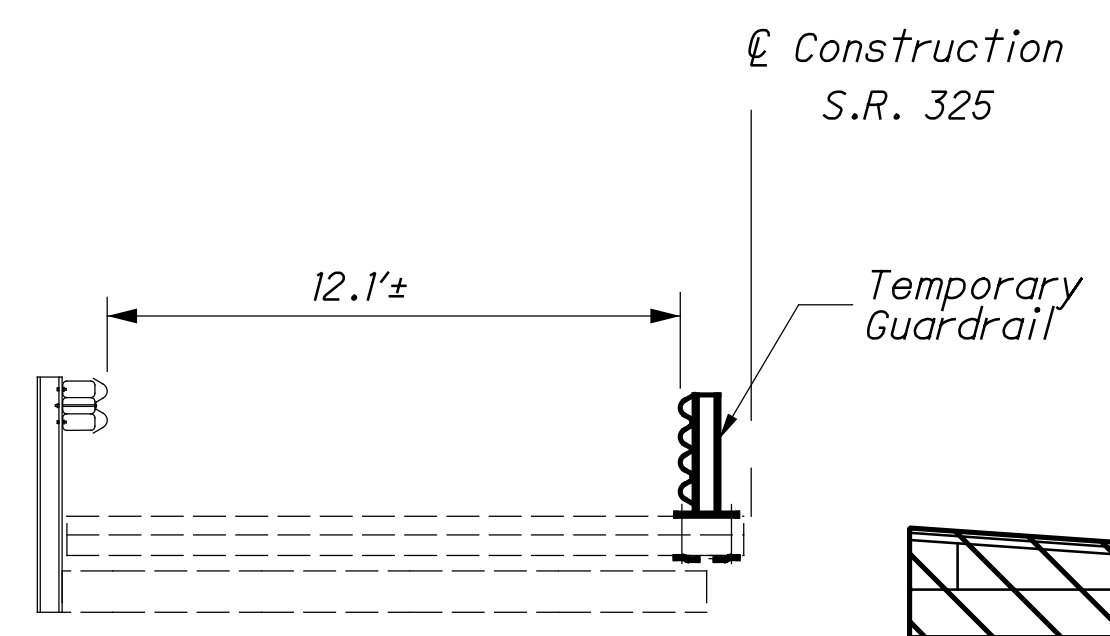
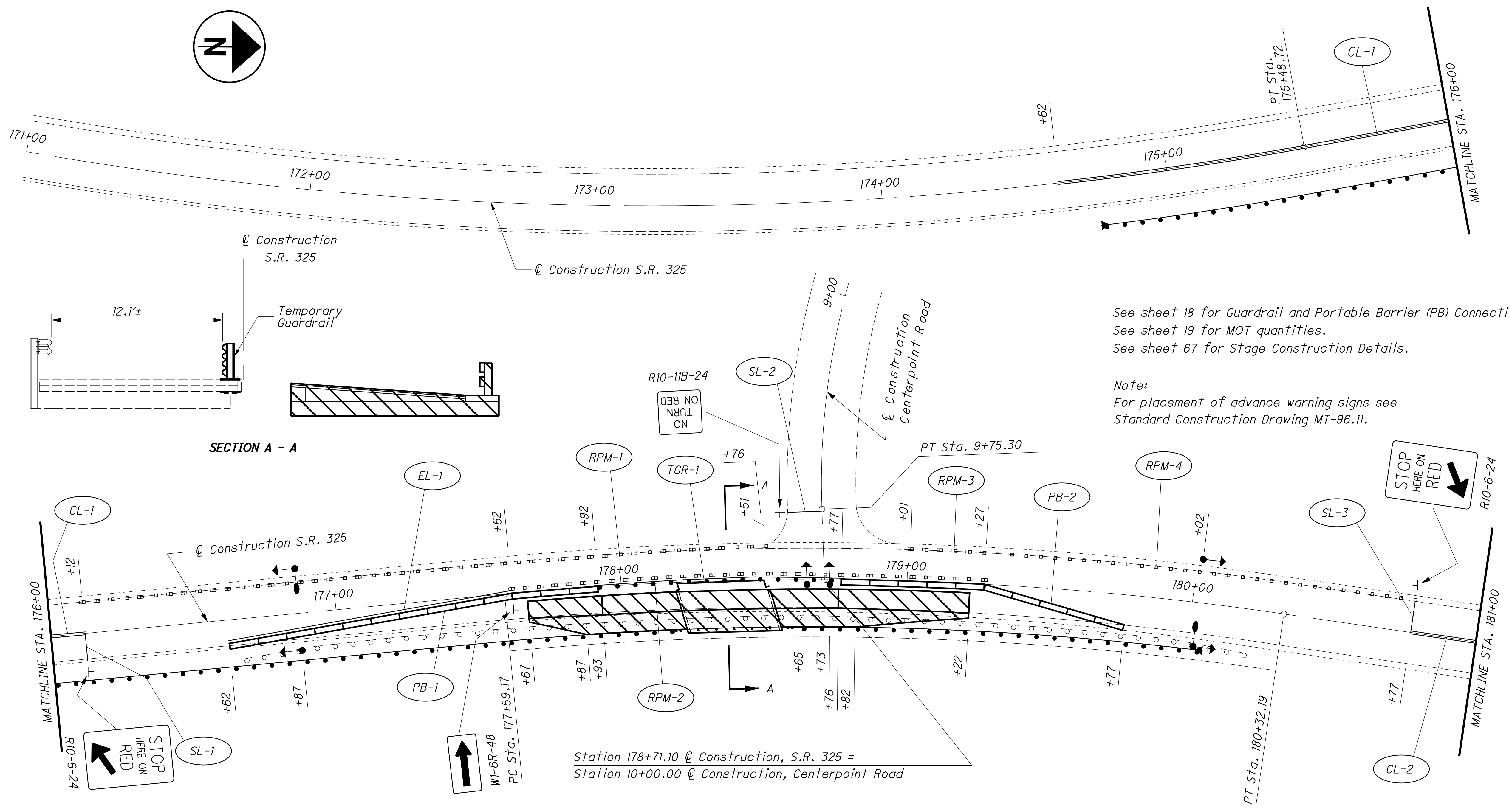
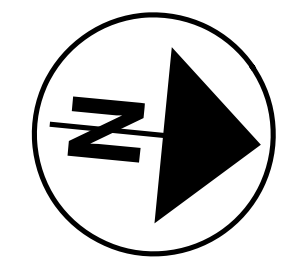
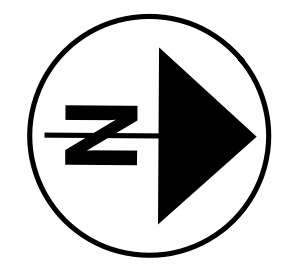
TAPER SECTION

STA. 13+50.00 TO STA. 18+10.24

TEMPORARY ROAD
TYPICAL SECTIONS AND ELEVATIONS

LIC-599-8.54

NOTE: FOR PLAN & PROFILE OF ROAD FOR MAINTAINING TRAFFIC, SEE SHEET 99.



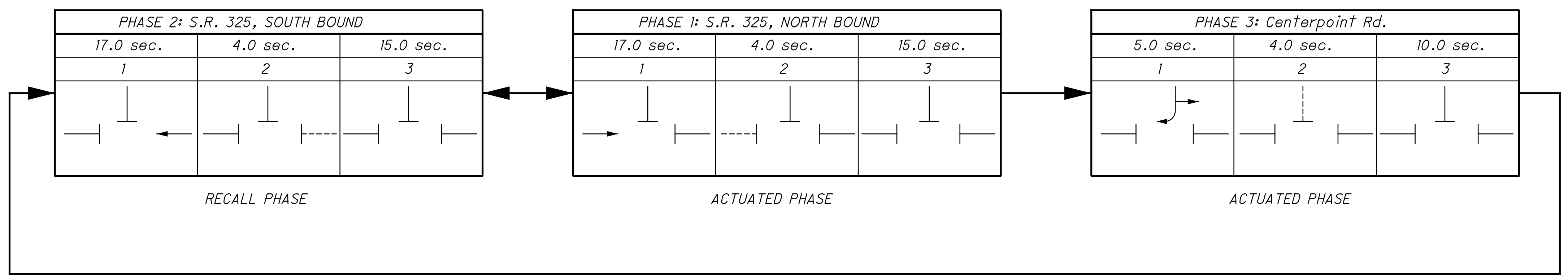
See sheet 18 for Guardrail and Portable Barrier (PB) Connection Details.
See sheet 19 for MOT quantities.
See sheet 67 for Stage Construction Details.

Note:
For placement of advance warning signs see Standard Construction Drawing MT-96.11.

Station 178+71.10 @ Construction, S.R. 325 =
Station 10+00.00 @ Construction, Centerpoint Road

Legend

- 32" Concrete Barrier
- Area to be constructed



PHASE 1 - SIGNAL TIMING DIAGRAM

BENDS AND BRANCHES
 FOR INFORMATION ONLY

SHEET NO.	202		601		611										605								
	CATCH BASIN ABANDONED	ROCK CHANNEL PROTECTION, TYPE D WITH FILTER	6" CONDUIT, TYPE B	12" CONDUIT, TYPE C	15" CONDUIT, TYPE C	21" CONDUIT, TYPE B	30" CONDUIT, TYPE B	CONDUIT, BORED OR JACKED (6", TYPE B)	6" CONDUIT, TYPE F	CATCH BASIN, NO. 4	CATCH BASIN, NO. 5, AS PER PLAN	CATCH BASIN ADJUSTED TO GRADE	CATCH BASIN RECONSTRUCTED TO GRADE	PRECAST REINFORCED CONCRETE OUTLET	4" SHALLOW PIPE UNDERDRAINS	4" UNCLASSIFIED PIPE UNDERDRAINS	4" ROCK CUT UNDERDRAINS	6"x45° BEND	6"x90° BEND	6"x6" TEE	6"x6" WYE	6"x6" CROSS	
	EACH	CY	FT	FT	FT	FT	FT	FT	FT	EACH	EACH	EACH	EACH	EACH	FT	FT	FT	EACH	EACH	EACH	EACH	EACH	
117								35	222					3	2793			3	2	1		1	
118								42	42					1	4000			6	2	2		2	
119	1				105				260	1				4	3783		267	4	2	2			
120								26						1	50		3947				2	1	
121		23				6	6	50	180		1	1	1				4000			3	3	2	
122								51	213				1		1660		873						
123									112						1882						2		
124									90			1			3984				2	2			
125			25						98				1		3683	283					1		
126	1								160	1				2	4071				2	3			
127					108									1	3650	350							
128									196					4	4000					3			
129	1				107				188	1				4	4000					2			
130			25						130					1	4000					2			
131									198					4	4000				2	2	2	1	1
132									123					2	4000							2	
133									144					3	4000				2	2			1
134								27	171			1		3	4577				4	2	3	1	
135														2	3160				2	3			
135A			50						156					1	2024				2	2	2		
136									60					3	928						2		
137									26					1	836	47				2			
138									24					1	542	50				1			
139									40			1		2	958				2				1
142									56					3	1122				3				
143									18					1	720	50					1		
144									38					2	814					2			
145									38					2	1218					4			
146									40					2	822					2	2	1	
147									34					2	720					2			1
TOTALS CARRIED TO GENERAL SUMMARY	3	23	100	215	105	6	6	163	3196	3	1	5	2	56	71997	780	9087						

DRAINAGE SUBSUMMARY

STA - 6 - 18.84

SHEET NUMBER

OFFICE CALCS

196

FIG. 1307-3(b)
DATE: JULY 2022

SEE SHEET NO.
CALCULATED
JKP
CHECKED
FGW

ITEM	ITEM EXT.	GRAND TOTAL	UNIT	DESCRIPTION	SEE SHEET NO.		
PAVEMENT							
312	251	312	SY	PARTIAL DEPTH PAVEMENT REPAIR (441)			
4140	253	4140	SY	PAVEMENT REPAIR			
9005	255	9005	SY	FULL DEPTH PAVEMENT REMOVAL AND RIGID REPLACEMENT, CLASS QC1, AS PER PLAN	16		
2894	255	2894	SY	FULL DEPTH PAVEMENT REMOVAL AND RIGID REPLACEMENT, CLASS QC MS, AS PER PLAN	16		
34828	255	34828	FT	FULL DEPTH PAVEMENT SAWING			
17759	304	17759	CY	AGGREGATE BASE			
3892	305	3892	SY	9" CONCRETE BASE, CLASS QC 1P			
127	407	127	GAL	TACK COAT			
5813	408	5813	GAL	PRIME COAT			
1029	451	1029	SY	9" REINFORCED CONCRETE PAVEMENT, CLASS QC 1P, AS PER PLAN	12		
31690	451	31690	SY	10" REINFORCED CONCRETE PAVEMENT, CLASS QC 1P, AS PER PLAN	12		
6783	452	6783	SY	9" NON-REINFORCED CONCRETE PAVEMENT, CLASS QC 1P, AS PER PLAN	12		
50342	452	50342	SY	VARIABLE THICKNESS NON-REINFORCED CONCRETE PAVEMENT, AS PER PLAN	12		
WATER WORK							
	3649	638	02504	3649	FT	12" WATER MAIN DUCTILE IRON PIPE ANSI CLASS 53, MECHANICAL JOINTS AND FITTINGS	
	2481	638	02604	2481	FT	12" WATER MAIN DUCTILE IRON PIPE ANSI CLASS 53, BOLTLESS-RESTRAINED JOINTS AND FITTINGS	
	2107	638	02700	2107	FT	12" WATER MAIN DUCTILE IRON PIPE ANSI CLASS 55, BALL AND SOCKET JOINTS AND FITTINGS	
	1142	638	02900	1142	FT	12" WATER MAIN POLYVINYL CHLORIDE PIPE AND FITTINGS, AWWA C900 DRI 8	
	1608	638	02800	1608	FT	12" WATER MAIN POLYVINYL CHLORIDE PIPE AND FITTINGS, ASTM SDR 26	
	438	638	04800	438	FT	3/4" COPPER SERVICE BRANCH	
	464	638	05300	464	FT	3/4" POLYETHYLENE SERVICE BRANCH	
	212	638	06704	212	FT	20" STEEL PIPE ENCASEMENT, OPEN CUT	
	310	638	07310	310	FT	24" STEEL PIPE ENCASEMENT, BORED OR JACKED	
	18	638	08100	18	EACH	12" GATE VALVE AND VALVE BOX	
	16	638	09200	16	EACH	12" CUTTING-IN SLEEVE, VALVE AND VALVE BOX	
	12	638	09700	12	EACH	12" X 6" TAPPING SLEEVE, VALVE AND VALVE BOX	
	36	638	10200	36	EACH	6" FIRE HYDRANT	
	10	638	10300	10	EACH	FIRE HYDRANT EXTENDED AND ADJUSTED TO GRADE	
	8	638	10500	8	EACH	FIRE HYDRANT REMOVED AND RESET	
	8	638	10600	8	EACH	FIRE HYDRANT AND GATE VALVE REMOVED AND RESET	
	12	638	10800	12	EACH	VALVE BOX ADJUSTED TO GRADE	
	6	638	10900	6	EACH	SERVICE BOX ADJUSTED TO GRADE	
	4	638	11100	4	EACH	METER AND CHAMBER REMOVED AND RESET	

GENERAL SUMMARY

TRU-99-13.48

SHEET NUMBER										PARTICIPATION		ITEM	ITEM EXT.	GRAND TOTAL	UNIT	DESCRIPTION	SP 1307-3(d)		SEE SHEET NO.	CALCULATED	JKP CHECKED	FGW
10	18	25															DATE: JULY 2022					
<i>ADDITIVE ALTERNATE 1: SIDEWALK</i>																						
5985										5985	608	10000	5985	SF	4" CONCRETE WALK							
126										126	608	52000	126	SF	CURB RAMP							
	5									5	616	10000	5	MGAL	WATER							
	105									105	659	00300	105	CY	TOPSOIL							
	940									940	659	10000	940	SY	SEEDING AND MULCHING							
<i>ADDITIVE ALTERNATE 2: PEDESTRIAN CROSSWALK</i>																						
			52.0							52.0	630	02100	52.0	FT	GROUND MOUNTED SUPPORT, NO. 2 POST							
			1							1	630	08600	1	EACH	SIGN POST REFLECTOR							
			27.8							27.8	630	80100	27.8	SF	SIGN, FLAT SHEET							
			2							2	630	84900	2	EACH	REMOVAL OF GROUND MOUNTED SIGN AND DISPOSAL							
			2							2	630	86002	2	EACH	REMOVAL OF GROUND MOUNTED POST SUPPORT AND DISPOSAL							
			2							2	631	92001	2	EACH	SIGN FLASHER ASSEMBLY, AS PER PLAN							5
			13							13	644	00500	13	FT	STOP LINE							
			200							200	644	00620	200	FT	CROSSWALK LINE, 12"							
<i>INCIDENTALS</i>																						
										LS	614	11000	LS		MAINTAINING TRAFFIC							
										6	619	16010	6	MNTH	FIELD OFFICE, TYPE B							
										LS	623	10000	LS		CONSTRUCTION LAYOUT STAKES AND SURVEYING							
										LS	624	10000	LS		MOBILIZATION							

GENERAL SUMMARY

LIC-C.R. 79-0.89

SHEET NUMBER				PARTICIPATION		ITEM	ITEM EXT.	GRAND TOTAL	UNIT	DESCRIPTION	SP 1307-5 DATE: JULY 2022	SEE SHEET NO.
87	96			01/NHS/PV	02/SK2/PV/ATB							
										TRAFFIC CONTROL		
					161	621	00100	161	EACH	RPM		
					146.5	630	02100	146.5	FT	GROUND MOUNTED SUPPORT, NO. 2 POST		
					229.8	630	03100	229.8	FT	GROUND MOUNTED SUPPORT, NO. 3 POST		
					4	630	79500	4	EACH	SIGN SUPPORT ASSEMBLY, POLE MOUNTED		
					96.0	630	80100	96.0	SF	SIGN, FLAT SHEET		
					11	630	85000	11	EACH	REMOVAL OF GROUND MOUNTED SIGN AND STORAGE		
					14	630	86002	14	EACH	REMOVAL OF GROUND MOUNTED POST SUPPORT AND DISPOSAL		
					3.29	644	00100	3.29	MILE	EDGE LINE, 4"		
					1.36	644	00200	1.36	MILE	LANE LINE, 4"		
					1.25	644	00300	1.25	MILE	CENTER LINE		
					1368	644	00400	1368	FT	CHANNELIZING LINE, 8"		
					146	644	00500	146	FT	STOP LINE		
					313	644	00620	313	FT	CROSSWALK LINE, 12"		
					450	644	00700	450	FT	TRANSVERSE/DIAGONAL LINE		
					24	644	00900	24	SF	ISLAND MARKING		
					9	644	01300	9	EACH	LANE ARROW		
					8	644	01410	8	EACH	WORD ON PAVEMENT, 96"		
										TRAFFIC SIGNALS		
					122	625	25400	122	FT	CONDUIT, 2", 725.04		
					180	625	25500	180	FT	CONDUIT, 3", 725.04		
					182	625	29000	182	FT	TRENCH		
					120	625	29400	120	FT	TRENCH IN PAVED AREA		
					2	625	30706	2	EACH	PULL BOX, 725.08, 24"		
					7	625	32000	7	EACH	GROUND ROD		
					4	632	04910	4	EACH	VEHICULAR SIGNAL HEAD, (LED), 3 SECTION, 12" LENS, 1-WAY, ALUMINUM (BLACK)		
					1	632	04916	1	EACH	VEHICULAR SIGNAL HEAD, (LED), 3 SECTION, 12" LENS, 2-WAY, ALUMINUM (BLACK)		
					2	632	05080	2	EACH	VEHICULAR SIGNAL HEAD, (LED), 5 SECTION, 12" LENS, 1-WAY, ALUMINUM (BLACK)		
					8	632	25000	8	EACH	COVERING OF VEHICULAR SIGNAL HEAD		
					2	632	27004	2	EACH	LOOP DETECTOR UNIT		
					3	632	27008	3	EACH	LOOP DETECTOR UNIT, DELAY AND EXTENSION TYPE		
					139	632	30200	139	FT	MESSENGER WIRE, 7 STRAND, 3/8" DIAMETER WITH ACCESSORIES		
					823	632	40300	823	FT	SIGNAL CABLE, 3 CONDUCTOR, NO. 14 AWG		
					1168	632	40500	1168	FT	SIGNAL CABLE, 5 CONDUCTOR, NO. 14 AWG		
					100	632	62810	100	FT	INTERCONNECT CABLE, MISC.: INTEGRAL MESSENGER WIRE TYPE, 7 CONDUCTOR, NO. 12 AWG		95
					1601	632	65200	1601	FT	LOOP DETECTOR LEAD-IN CABLE		
					25	632	67200	25	FT	POWER CABLE, 2 CONDUCTOR, NO. 8 AWG		
					1	632	70001	1	EACH	POWER SERVICE, AS PER PLAN		95
					2	632	85000	2	EACH	COMBINATION STRAIN POLE, TYPE TC-81.10, DESIGN 10		
					5	632	89900	5	EACH	PEDESTAL, 8', TRANSFORMER BASE		
					1	632	90100	1	EACH	REMOVAL OF TRAFFIC SIGNAL INSTALLATION		
					1	633	65521	1	EACH	CABINET, TYPE 332, AS PER PLAN		95
					1	633	67100	1	EACH	CABINET FOUNDATION		
					1	633	67200	1	EACH	CONTROLLER WORK PAD		
					1	809	69123	1	EACH	ATC CONTROLLER, AS PER PLAN		95

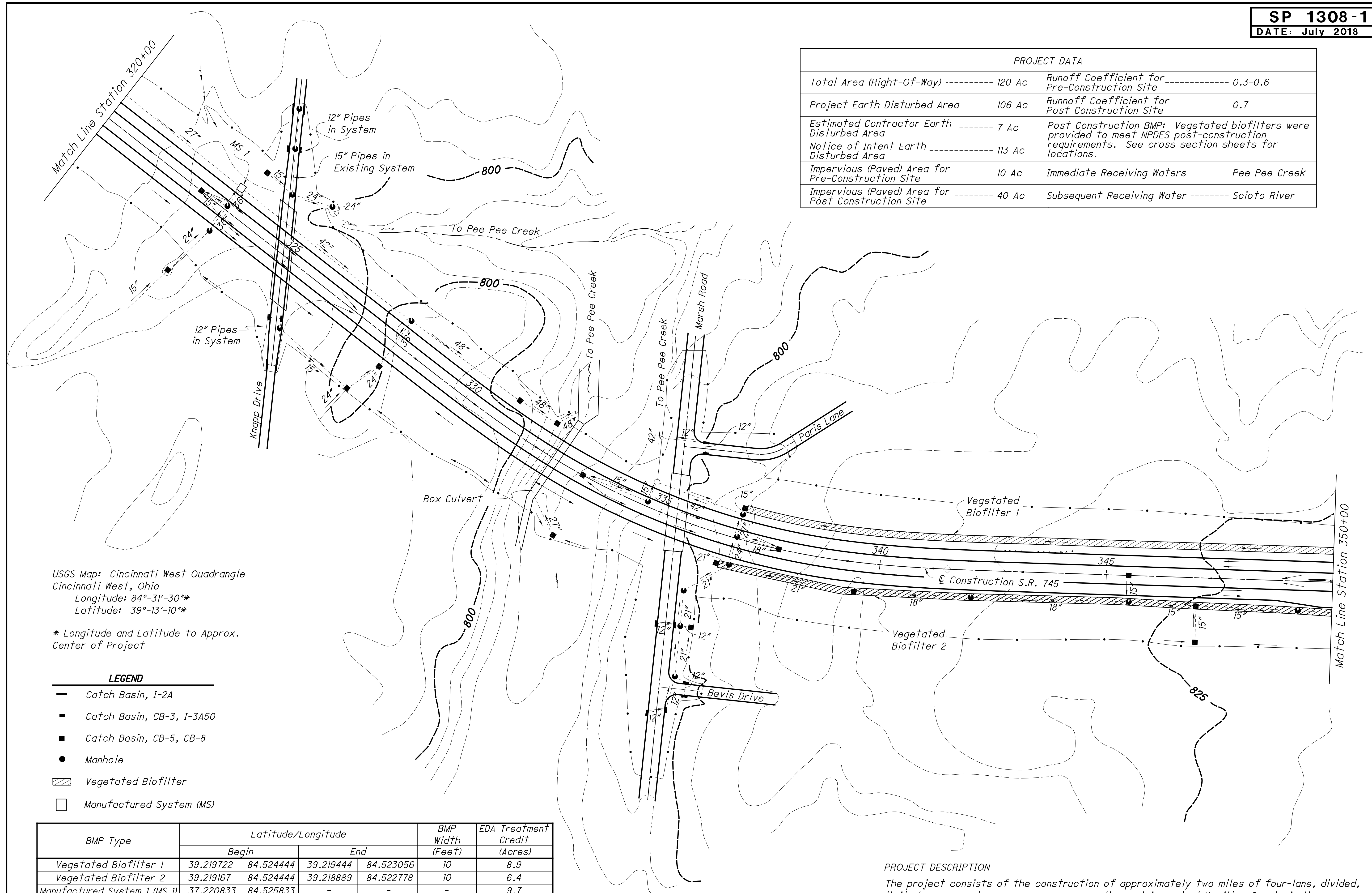
CALCULATED: JKP
 CHECKED: FGW
GENERAL SUMMARY
ATB-208-13.43
 36
 108



CALCULATED: JOH
CHECKED: JDH

0 100 200
HORIZONTAL SCALE IN FEET

PROJECT DATA			
Total Area (Right-Of-Way) -----	120 Ac	Runoff Coefficient for Pre-Construction Site -----	0.3-0.6
Project Earth Disturbed Area -----	106 Ac	Runoff Coefficient for Post Construction Site -----	0.7
Estimated Contractor Earth Disturbed Area -----	7 Ac	Post Construction BMP: Vegetated biofilters were provided to meet NPDES post-construction requirements. See cross section sheets for locations.	
Notice of Intent Earth Disturbed Area -----	113 Ac	Immediate Receiving Waters -----	Pee Pee Creek
Impervious (Paved) Area for Pre-Construction Site -----	10 Ac	Subsequent Receiving Water -----	Scioto River
Impervious (Paved) Area for Post Construction Site -----	40 Ac		



USGS Map: Cincinnati West Quadrangle
Cincinnati West, Ohio
Longitude: 84°-31'-30"*
Latitude: 39°-13'-10"*

* Longitude and Latitude to Approx. Center of Project

- LEGEND**
- Catch Basin, I-2A
 - Catch Basin, CB-3, I-3A50
 - Catch Basin, CB-5, CB-8
 - Manhole
 - ▨ Vegetated Biofilter
 - Manufactured System (MS)

BMP Type	Latitude/Longitude				BMP Width (Feet)	EDA Treatment Credit (Acres)
	Begin	End	Begin	End		
Vegetated Biofilter 1	39.219722	84.524444	39.219444	84.523056	10	8.9
Vegetated Biofilter 2	39.219167	84.524444	39.218889	84.522778	10	6.4
Manufactured System 1 (MS 1)	37.220833	84.525833	-	-	-	9.7
					Treatment Provided	25.0
					Treatment Required*	24.4

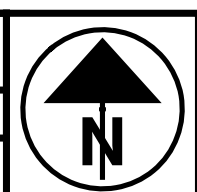
* Calculated per L&D Vol. 2, Sec. 1115.7

PROJECT DESCRIPTION

The project consists of the construction of approximately two miles of four-lane, divided, limited access, urban expressway on new alignment in central Hamilton County in the Cincinnati Metropolitan area. The highway has an east-west orientation beginning 300 feet west of Clovernoil Drive, ending 2,800 feet east of Sawmill Road. There is one interchange at Sawmill Road.

PROJECT SITE PLAN
STA. 320+00 TO STA. 350+00

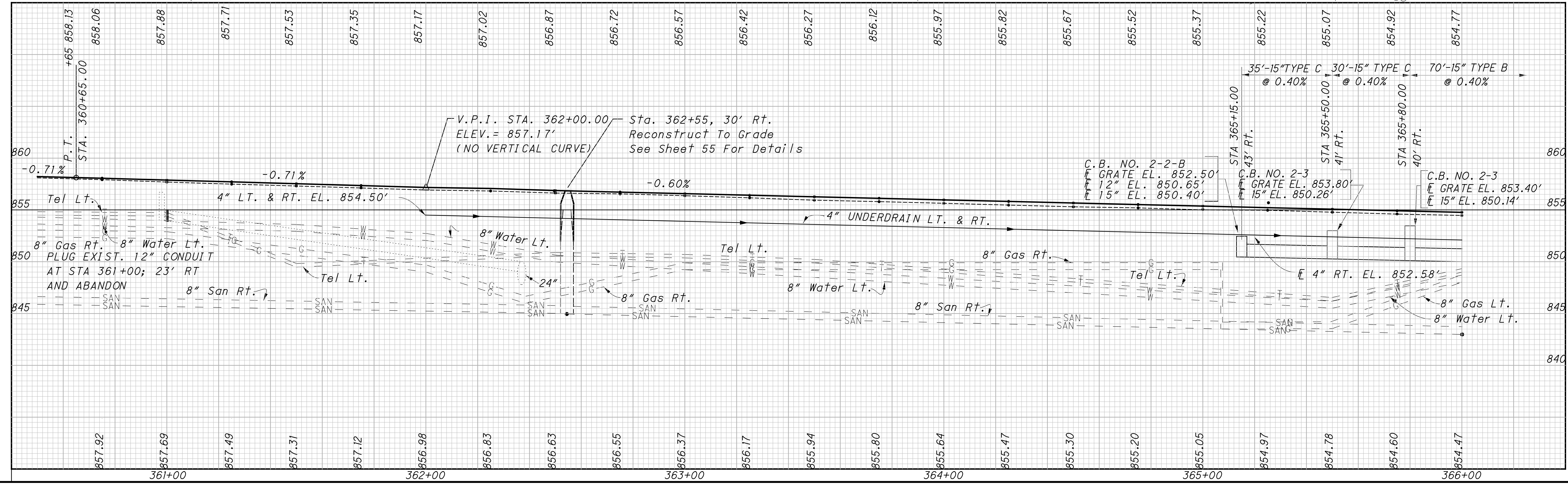
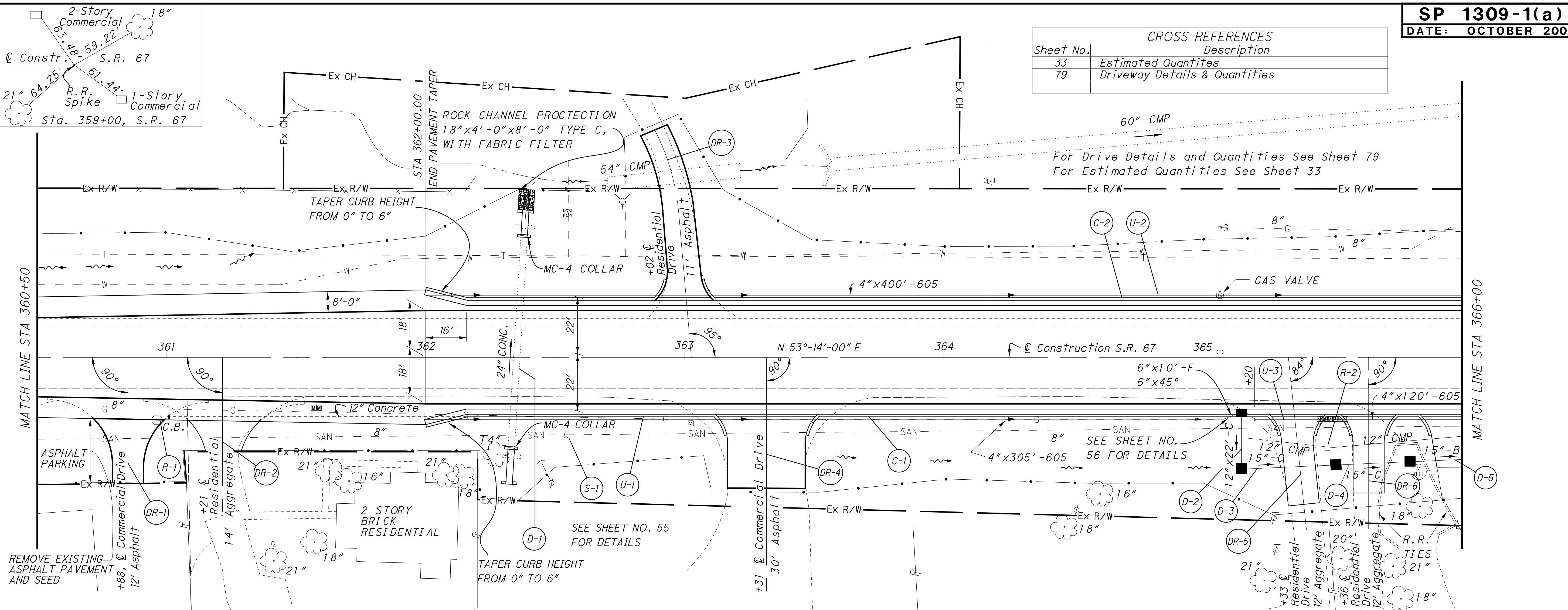
HAM-745-18.36



0 10 20 30 40
HORIZONTAL SCALE IN FEET

CALCULATED MJD
CHECKED DSN

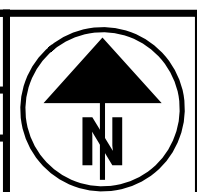
CROSS REFERENCES	
Sheet No.	Description
33	Estimated Quantities
79	Driveway Details & Quantities



PLAN AND PROFILE-S.R. 67
STA. 360+50 to STA. 366+00

CLI-67-16.86

p:\ohiodot-pw\bentley.com\ohiodot-pw-02\Documents\03_Standards\Sample Plans\SP1309-1(a)_2008-10.dgn Sheet 2/9/2022 3:36:21 PM ipetros

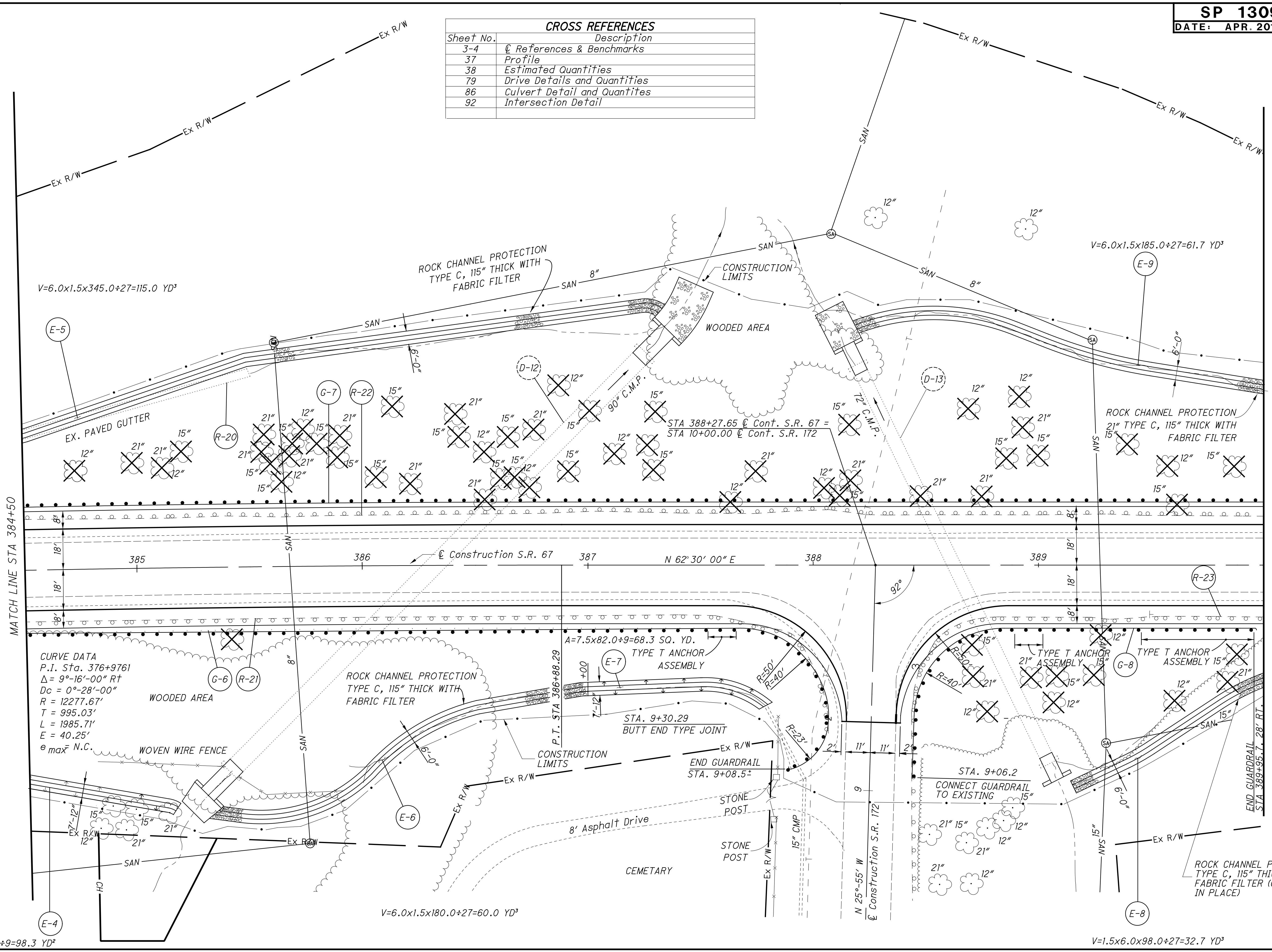


CALCULATED
M/JG
CHECKED
DSN

0 10 20 30 40
HORIZONTAL
SCALE IN FEET

CROSS REFERENCES	
Sheet No.	Description
3-4	References & Benchmarks
37	Profile
38	Estimated Quantities
79	Drive Details and Quantities
86	Culvert Detail and Quantities
92	Intersection Detail

p:\ohiodot\pw.bentley.com\ohiodot-pw-02\Documents\03_Standards\Sample_Plans\SP1309-2_2011-04.dgn Sheet 2/9/2022 3:36:36 PM tpetros



$V=6.0 \times 1.5 \times 345.0 \div 27 = 115.0 \text{ YD}^3$

$V=6.0 \times 1.5 \times 185.0 \div 27 = 61.7 \text{ YD}^3$

$V=6.0 \times 1.5 \times 180.0 \div 27 = 60.0 \text{ YD}^3$

$V=1.5 \times 6.0 \times 98.0 \div 27 = 32.7 \text{ YD}^3$

CURVE DATA
 P.I. Sta. 376+9761
 $\Delta = 9^\circ-16'-00'' \text{ Rt}$
 $Dc = 0^\circ-28'-00''$
 $R = 12277.67'$
 $T = 995.03'$
 $L = 1985.71'$
 $E = 40.25'$
 $e_{max} \text{ N.C.}$

$A=7.5 \times 82.0 \div 9 = 68.3 \text{ SQ. YD.}$

STA. 9+30.29
BUTT END TYPE JOINT

STA. 9+06.2
CONNECT GUARDRAIL TO EXISTING

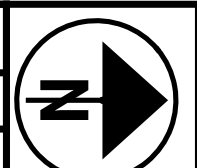
MATCH LINE STA 384+50

MATCH LINE STA 390+00

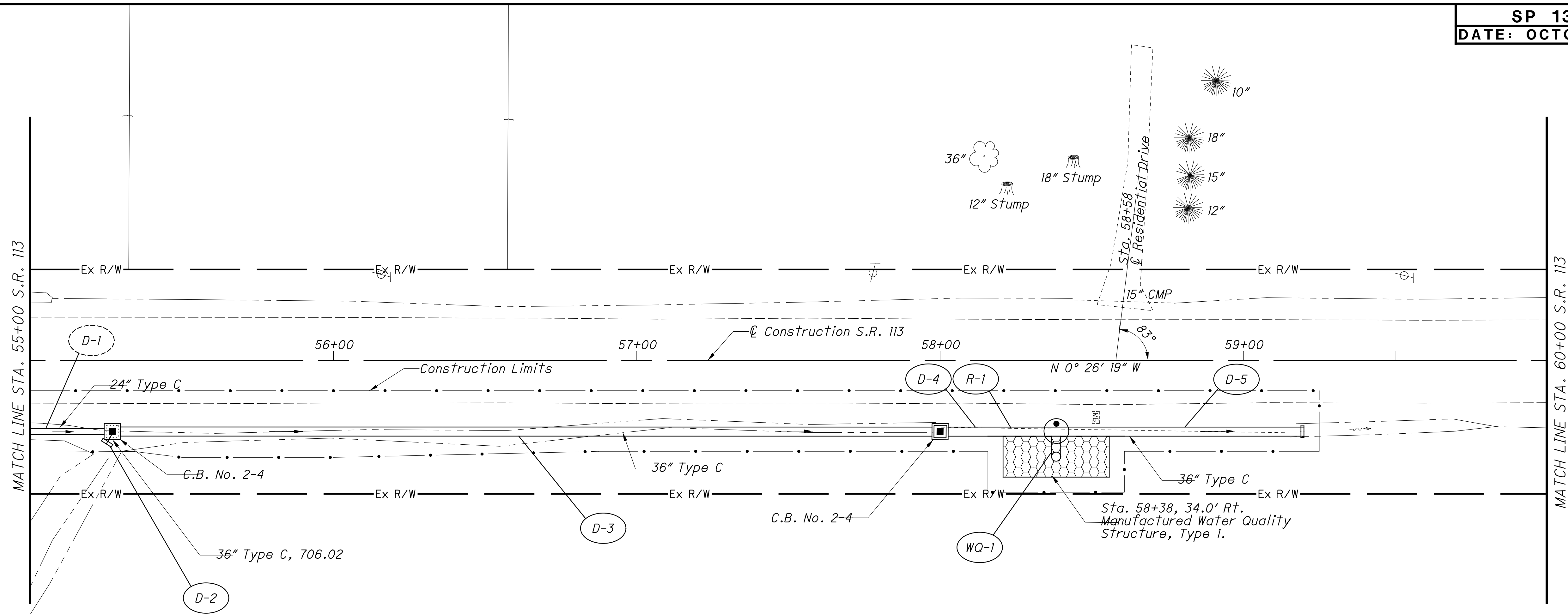
PLAN-S.R. 67
STA. 384+50 TO STA. 390+00

CLI-67-16.86

36
97

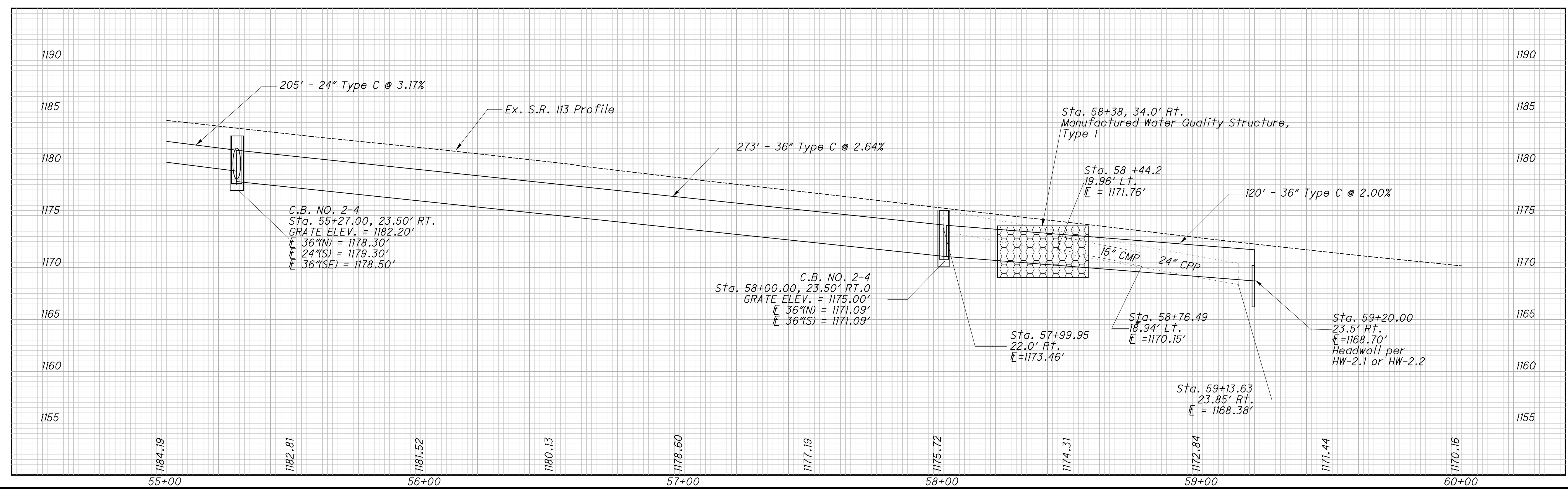


CALCULATED
DRT
CHECKED
TGH



For Quantities, See Sheet 20.

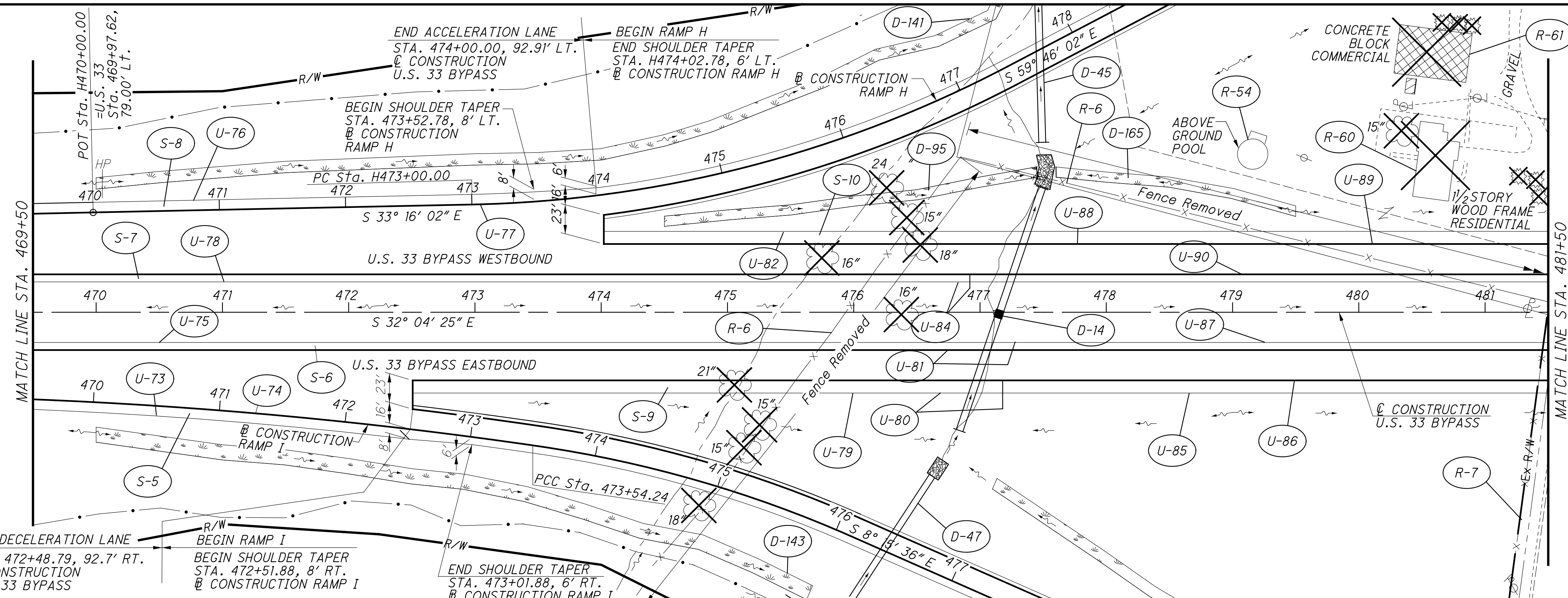
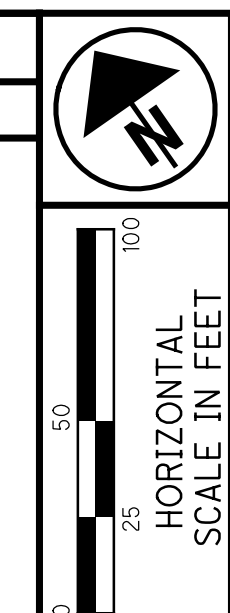
AREA FOR MANUFACTURED SYSTEM



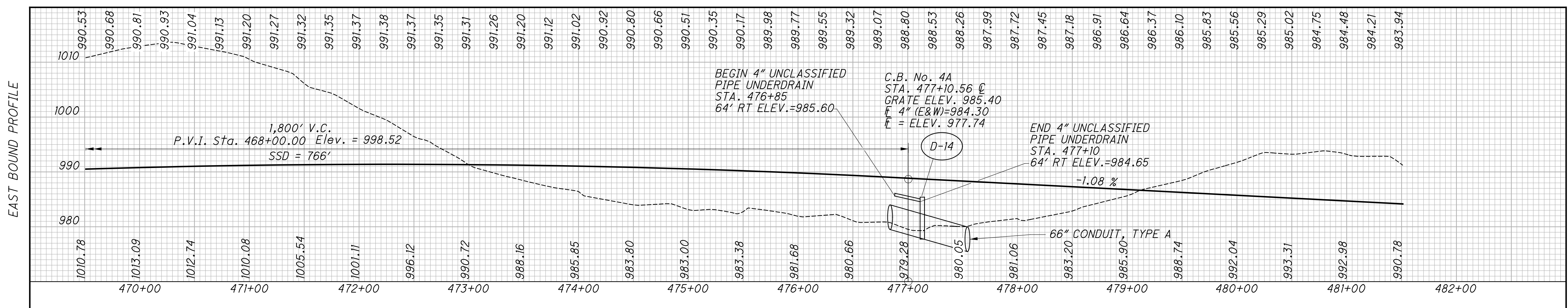
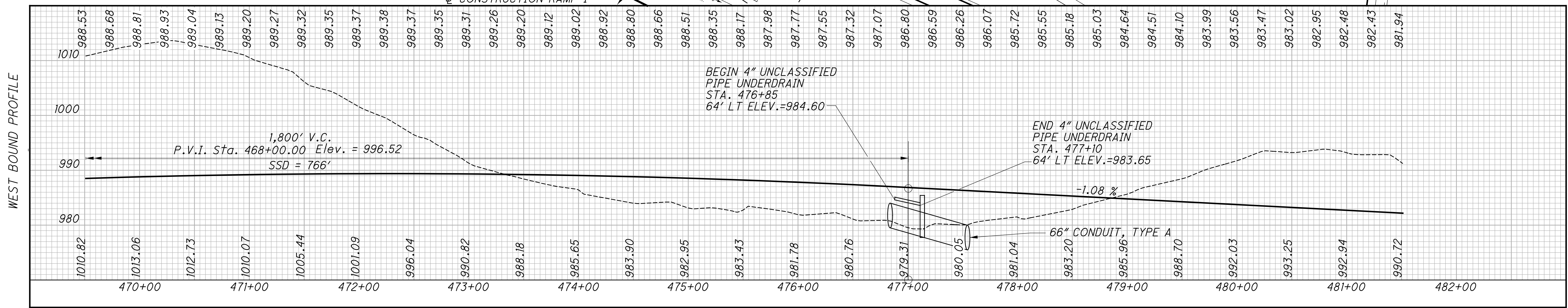
PLAN AND PROFILE
STA. 55+00 TO STA. 60+00 S.R. 113

NOB-113-0.58

pw:\ohiodot-pw.bentley.com\ohiodot-pw-02\Documents\03 Standards\Sample Plans\SP1309-3_2008-10.dgn Sheet 2/9/2022 3:36:44 PM tpetros

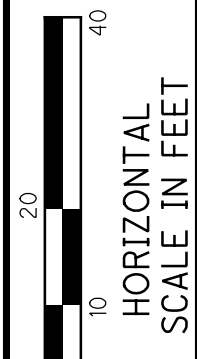
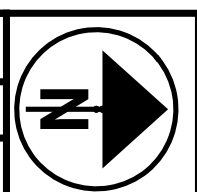


CROSS REFERENCES	
Sheet No.	Description
79	Ref. Monuments, ODOT #418 & #419
46-67	Estimated Quantities
360, 368	Ramps H & I
486, 487	Terminal Detail
503	Culvert Details
667	Fence Detail



PLAN AND PROFILE - U.S. 33 BYPASS
STA. 469+50 TO STA. 418+50

FAI-33-13.25

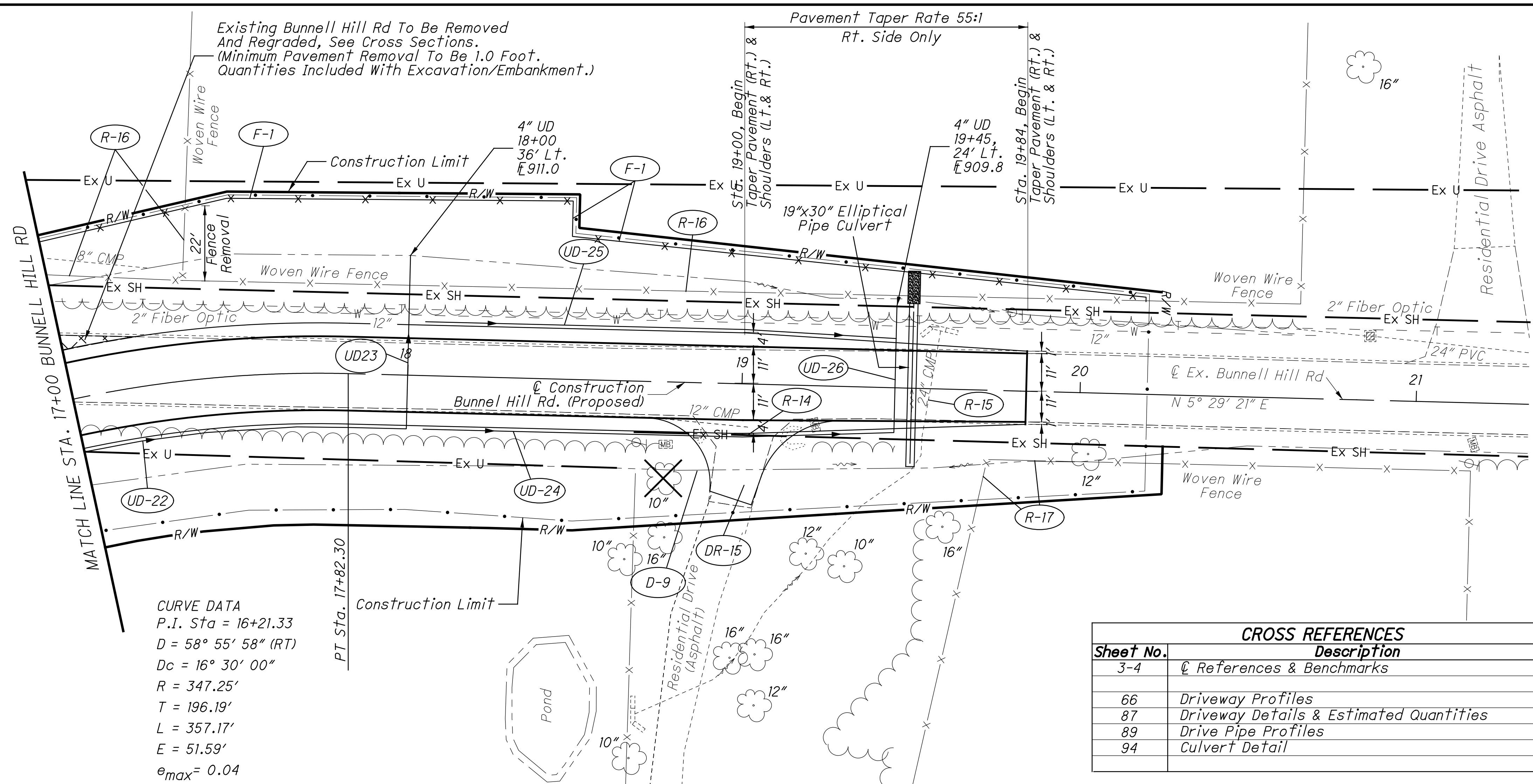


CALCULATED
MSQ
CHECKED
JAD

PLAN AND PROFILE - BUNNELL HILL RD
STA. 17+00 TO STA 21+00

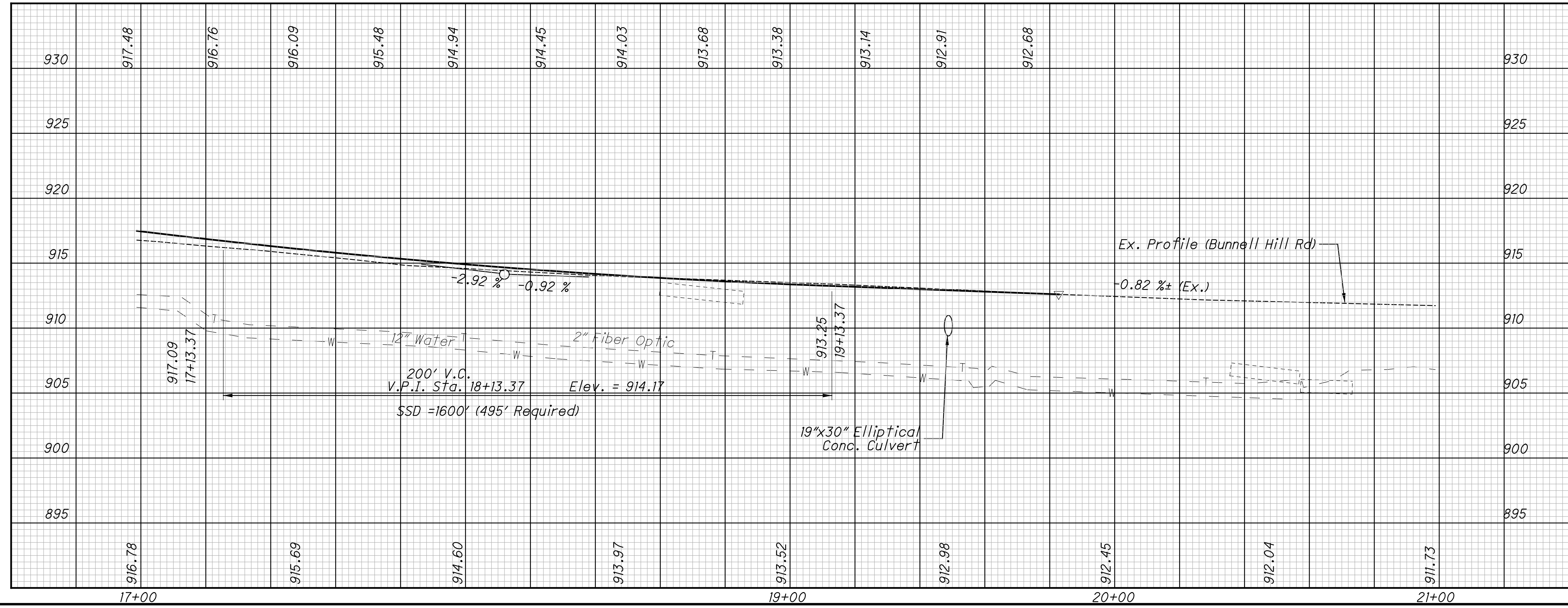
WAR-48.19.40

30
130



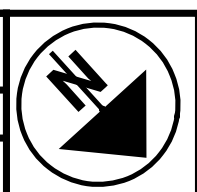
CURVE DATA
P.I. Sta = 16+21.33
D = 58° 55' 58" (RT)
Dc = 16° 30' 00"
R = 347.25'
T = 196.19'
L = 357.17'
E = 51.59'
e_{max} = 0.04

Sheet No.	Description
3-4	References & Benchmarks
66	Driveway Profiles
87	Driveway Details & Estimated Quantities
89	Drive Pipe Profiles
94	Culvert Detail

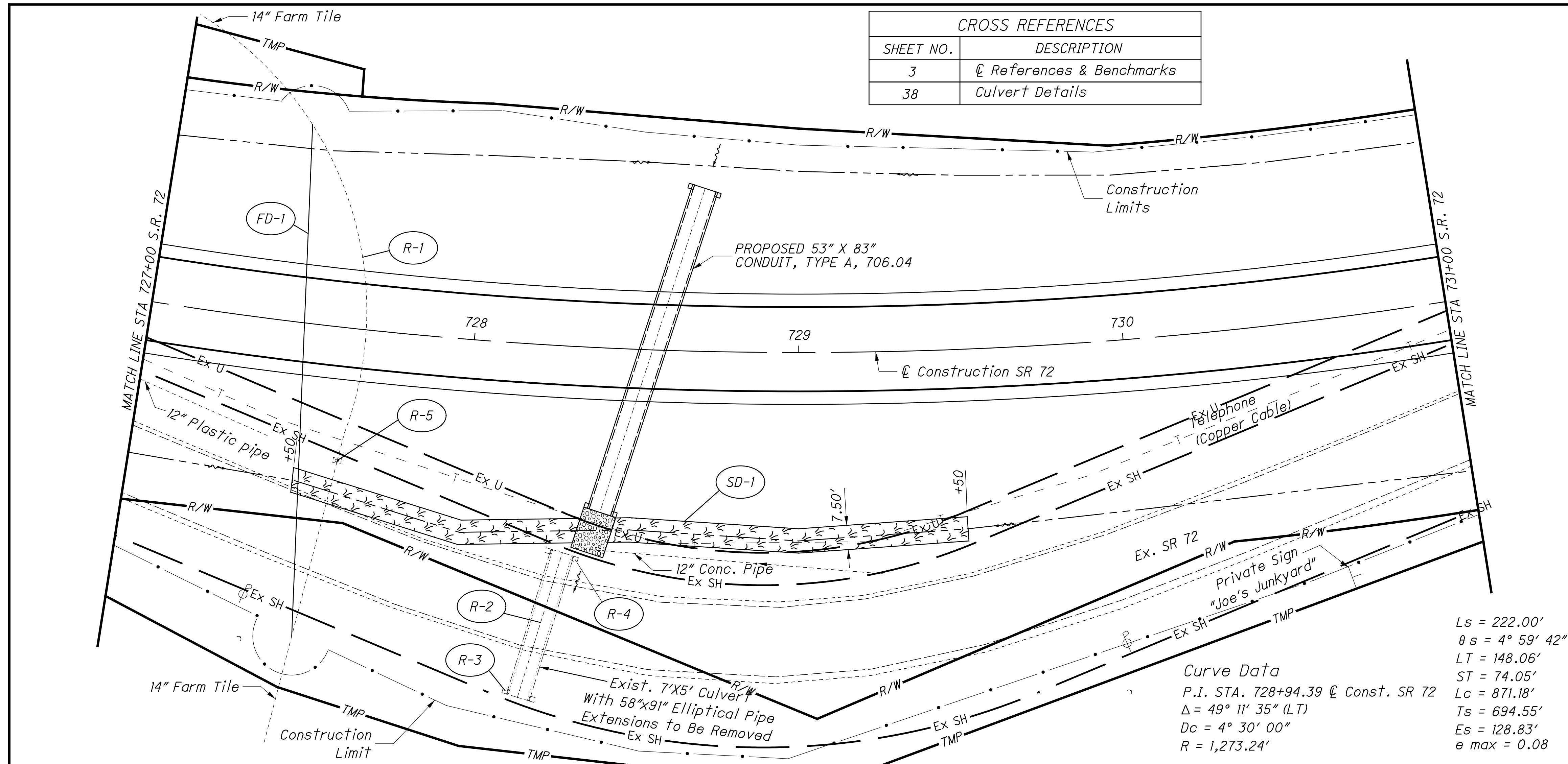
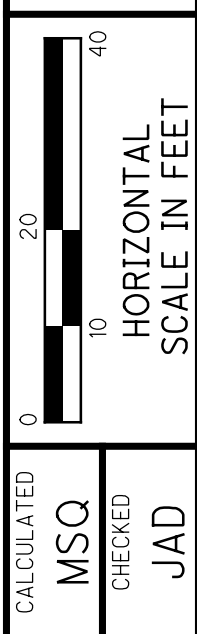


REF NO.	STATION		SIDE	DESCRIPTION	QUANTITY	BENDS & BRANCHES FOR INFO. ONLY
	FROM	TO				
R-14	18+86	19+20	Rt.			
R-15	19+52	19+55	Center			
R-16	16+60	20+20	Lt.	403		
R-17	19+70	20+19	Rt.	67		
UD-22	17+00	18+00	Rt.		52	1
UD-23	18+00	18+00	Center			
UD-24	18+05	19+45	Rt.			
UD-25	18+05	19+45	Lt.			
UD-26	19+45	19+45	Center		37	2
D-9	18+83	19+17	Rt.			
F-1	16+62	20+19	Lt.			
TOTALS CARRIED TO GENERAL SUMMARY				57	33	2

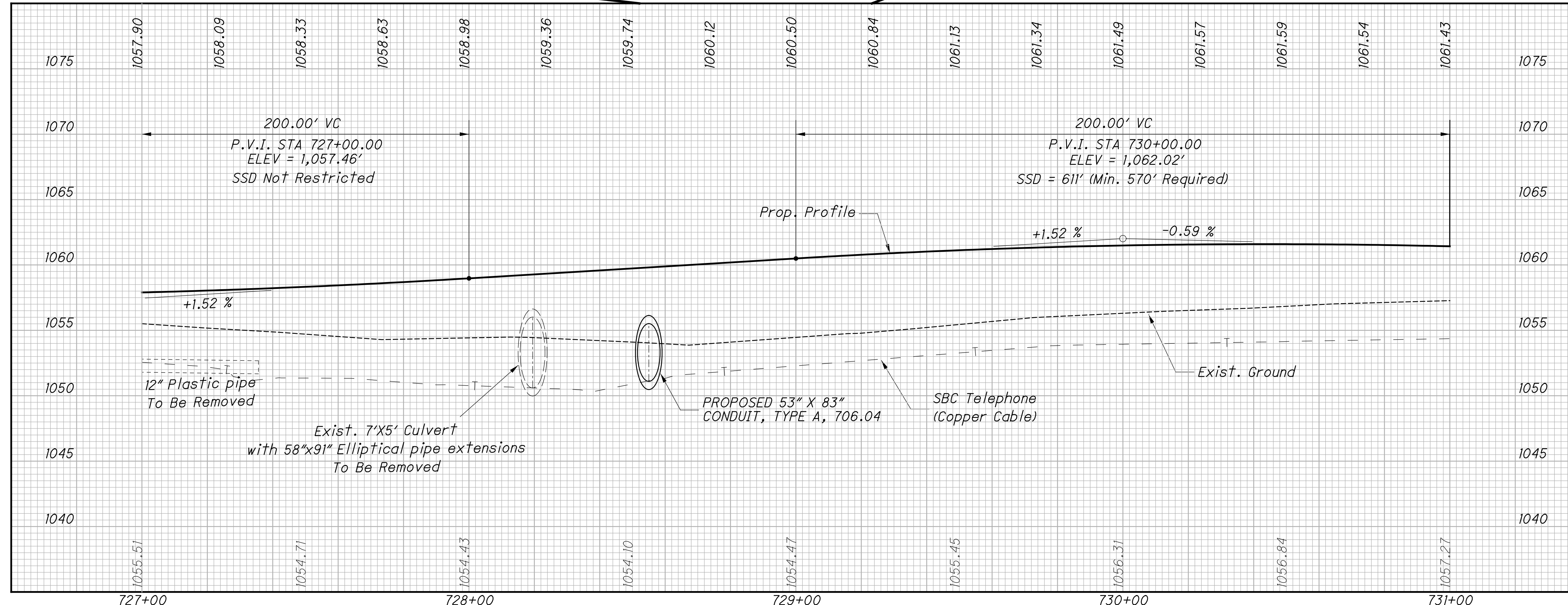
p:\ohiodot-pw-bentley.com\ohiodot-pw-02\Documents\03 Standards\Sample Plans\SP1309-5_2022-01.dgn Sheet 2/9/2022 3:36:59 PM ipetros



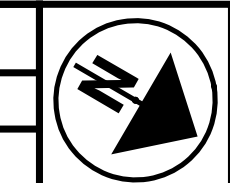
CROSS REFERENCES	
SHEET NO.	DESCRIPTION
3	☉ References & Benchmarks
38	Culvert Details



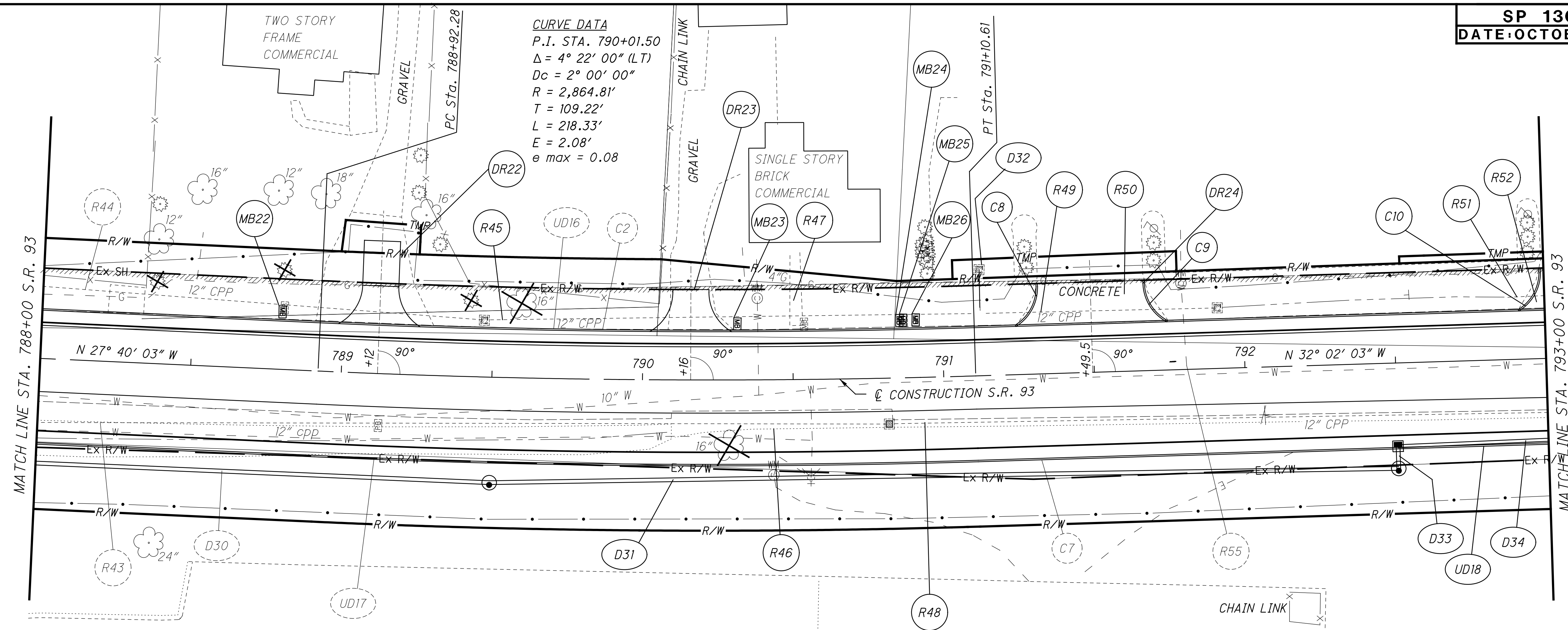
Curve Data
 P.I. STA. 728+94.39 ☉ Const. SR 72
 $\Delta = 49^\circ 11' 35''$ (LT)
 $D_c = 4^\circ 30' 00''$
 $R = 1,273.24'$
 $L_s = 222.00'$
 $\theta_s = 4^\circ 59' 42''$
 $LT = 148.06'$
 $ST = 74.05'$
 $L_c = 871.18'$
 $T_s = 694.55'$
 $E_s = 128.83'$
 $e_{max} = 0.08$



REF NO.	STATION		SIDE	DESCRIPTION	QTY	UNIT	TOTAL
	FROM	TO					
R-1	727+43	727+56	RT & LT	EROSION CONTROL MAT, TYPE A	167	SY	167
R-2	728+15	728+22	RT	15\"/>			
R-3	728+17	728+23	RT	REMOVAL MISC.: 2\"/>			
R-4	728+27	728+35	RT	REMOVAL MISC.: 7\"/>			
R-5	728+51	728+53	RT	REMOVAL MISC.: 7\"/>			
FD-1	727+43	727+56	RT & LT	PIPE REMOVED, 24\"/>			
SD-1	727+50	729+50	RT	HEADWALL REMOVED	2	EACH	2
TOTALS CARRIED TO GENERAL SUMMARY							

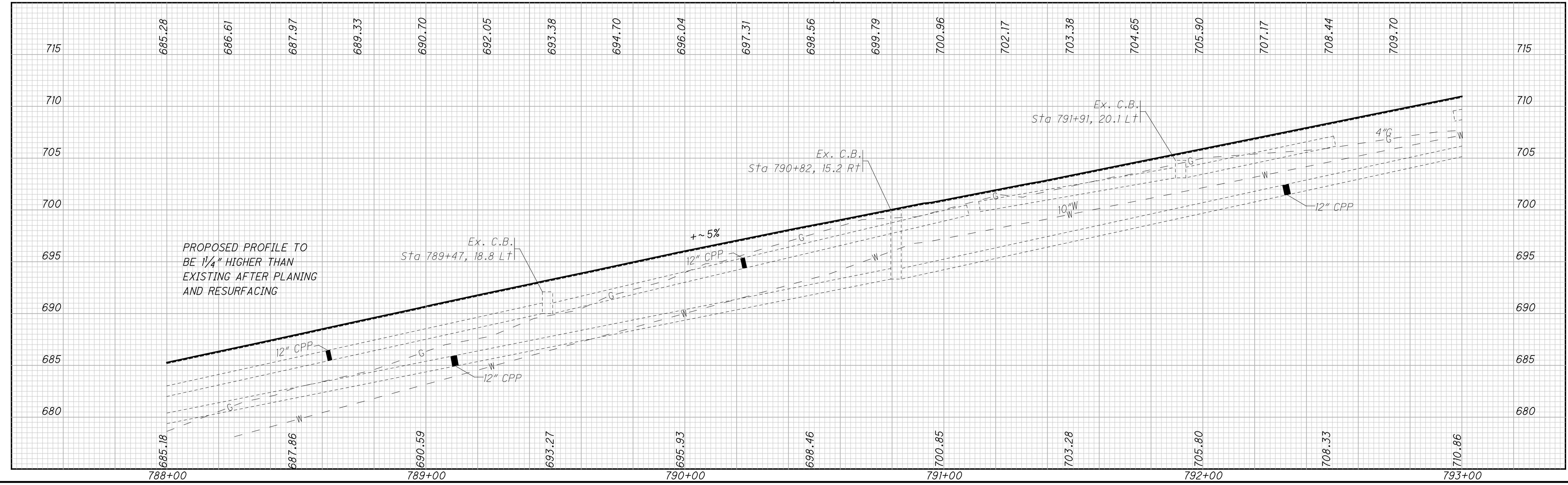


CALCULATED MSQ
CHECKED JAD



CURVE DATA
 P.I. STA. 790+01.50
 $\Delta = 4^\circ 22' 00''$ (LT)
 $D_c = 2^\circ 00' 00''$
 $R = 2,864.81'$
 $T = 109.22'$
 $L = 218.33'$
 $E = 2.08'$
 $e_{max} = 0.08$

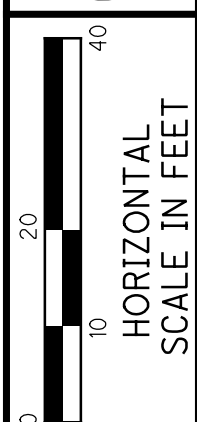
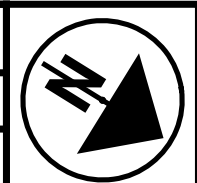
FOR ESTIMATED QUANTITIES SEE SHEETS 20 - 24
 FOR DRIVEWAY DETAILS AND QUANTITIES SEE SHEET 83
 FOR STORM SEWER PROFILES SEE SHEETS 89 - 92
 FOR ϕ REFERENCES AND BENCH MARKS SEE SHEETS 2 & 3



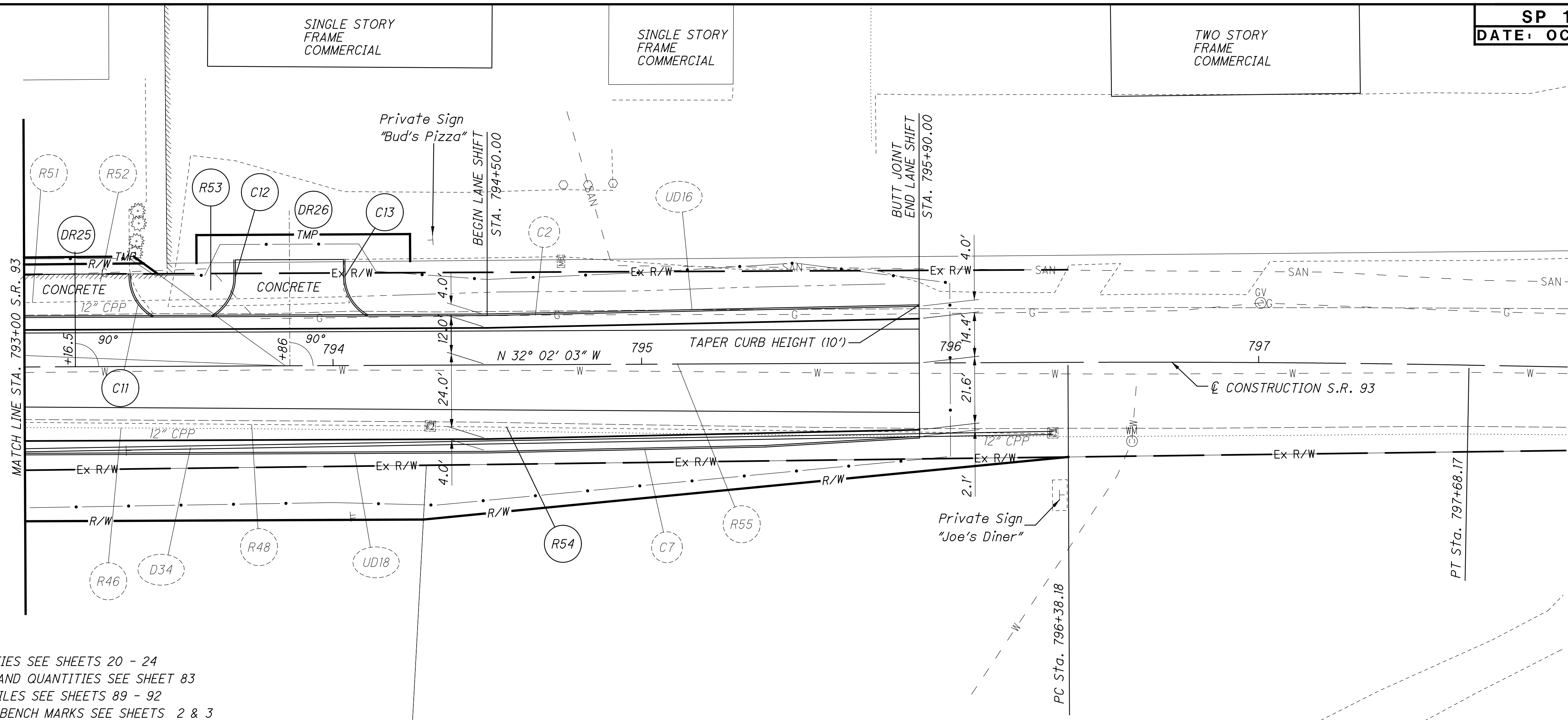
PLAN AND PROFILE
STA. 788+00 TO STA. 793+00

MOE-93-22.35

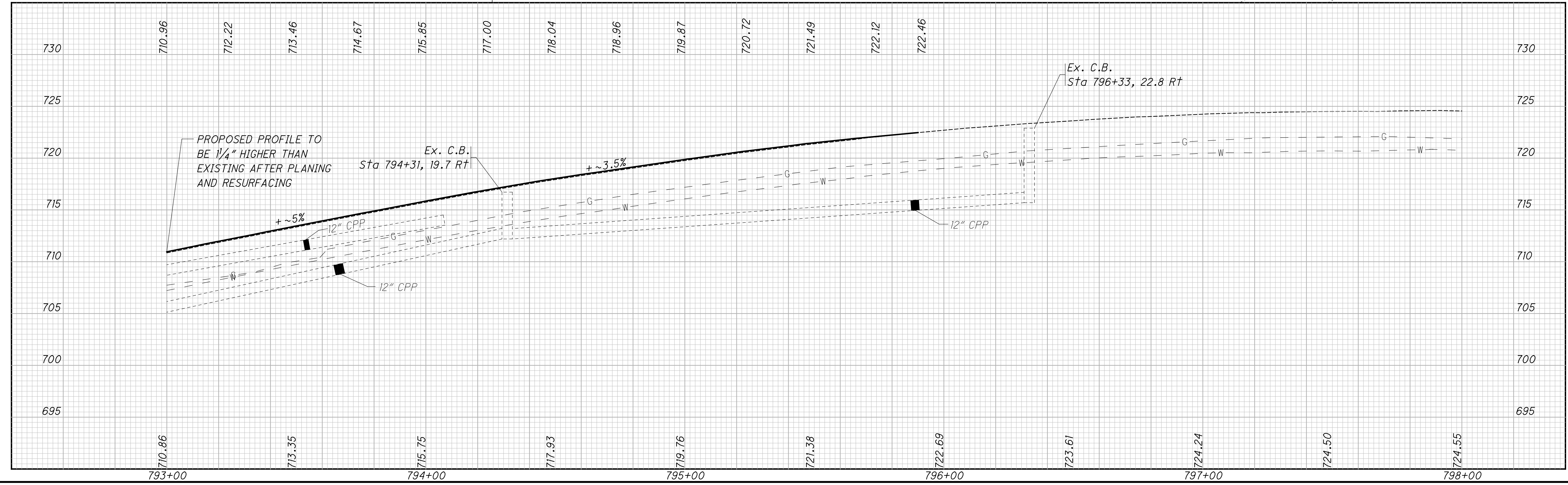
pw:\ohiodot-pw.bentley.com\ohiodot-pw-02\Documents\03 Standards\Sample Plans\SP1309-7(a)_2006-10.dgn Sheet 2/9/2022 3:37:14 PM tpetros



CALCULATED MSQ
CHECKED JAD



FOR ESTIMATED QUANTITIES SEE SHEETS 20 - 24
FOR DRIVEWAY DETAILS AND QUANTITIES SEE SHEET 83
FOR STORM SEWER PROFILES SEE SHEETS 89 - 92
FOR ϕ REFERENCES AND BENCH MARKS SEE SHEETS 2 & 3

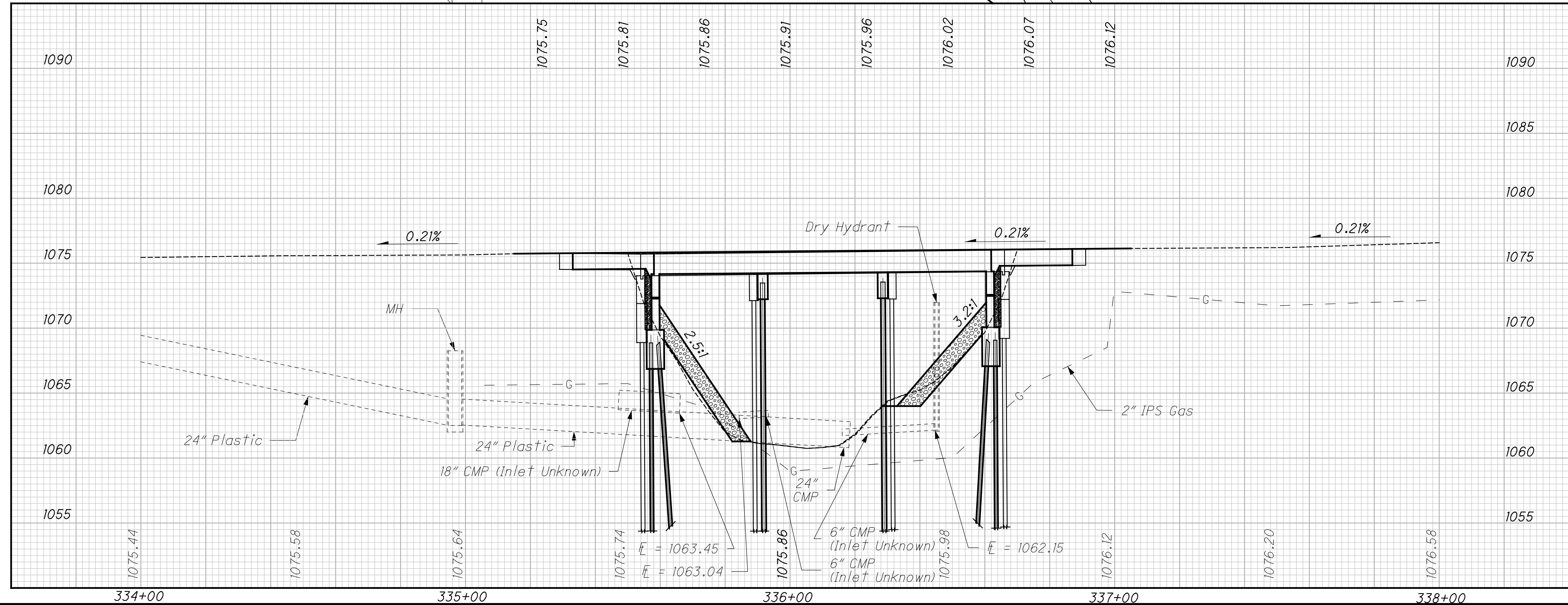
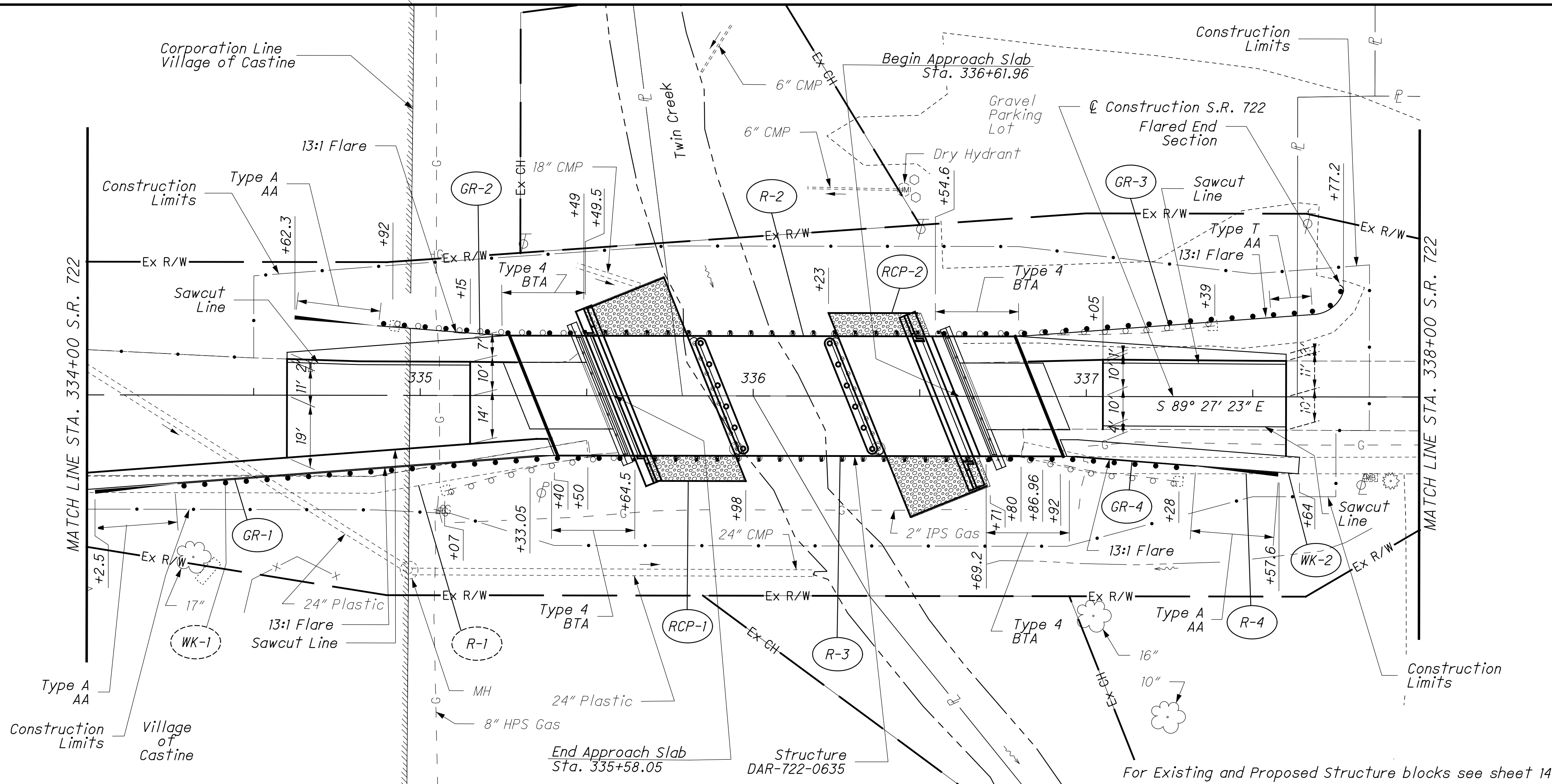
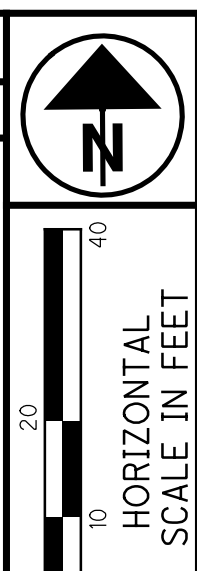


PLAN AND PROFILE
STA. 793+00 TO STA. 798+00

MOE-93-22.35

pw:\ohiodot-pw.bentley.com\ohiodot-pw-02\Documents\03 Standards\Sample Plans\81\SP1309-7(b)_2008-10.dgn Sheet 2/9/2022 3:37:24 PM tpetros

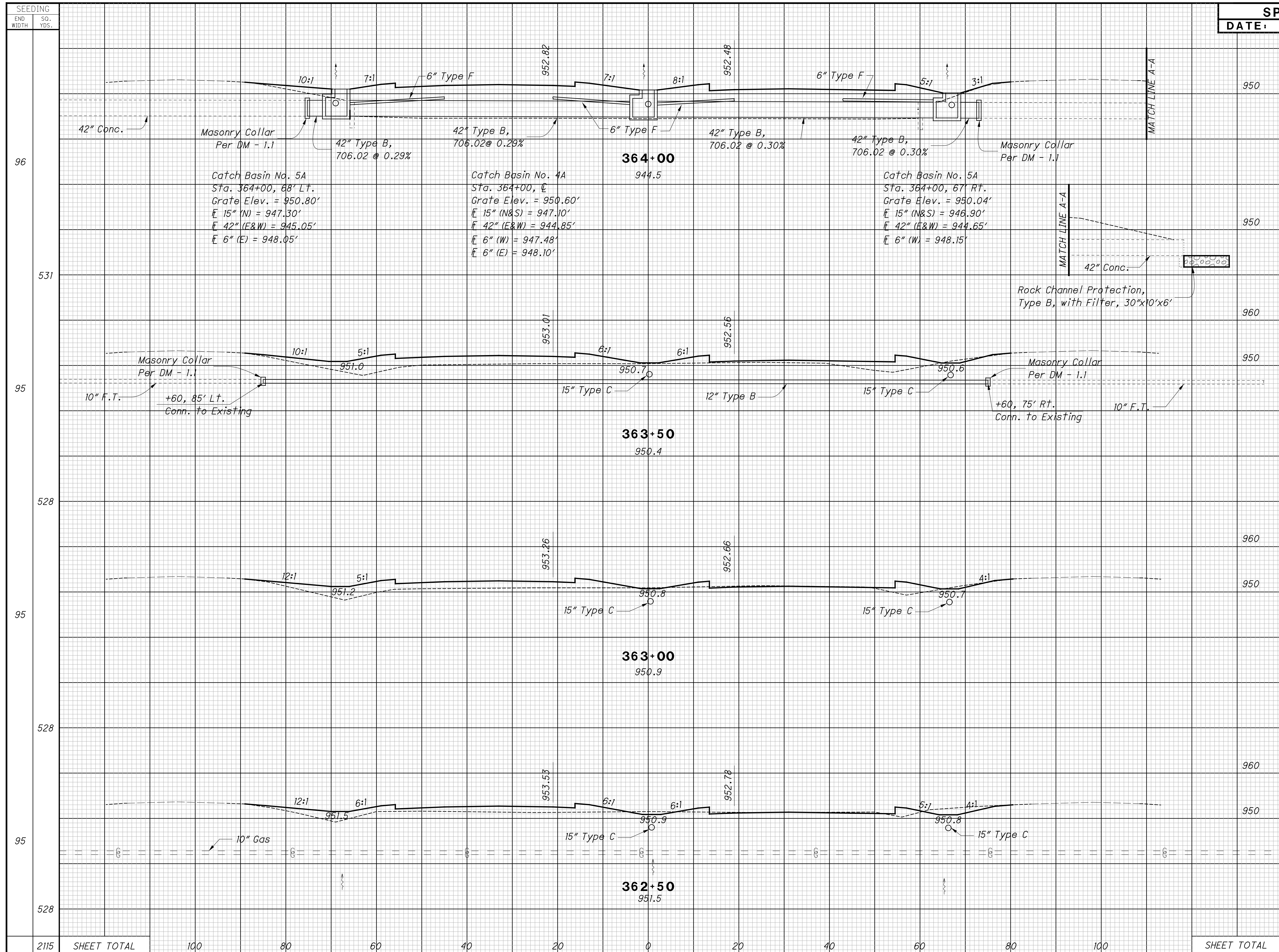
pw:\ohiodot-pw.bentley.com\ohiodot-pw-02\Documents\03 Standards\Sample Plans\SP1309-8_2022-01.dgn Sheet 2/9/2022 3:37:31 PM tpetros



REF NO.	STATION		SIDE	GENERAL SUMMARY
	FROM	TO		
GR-1	334+02.5	335+49.5	RT.	
GR-2	334+62.3	335+64.5	LT.	
GR-3	336+54.6	337+77.2	LT.	
GR-4	336+69.2	337+67.6	RT.	
R-2	334+92	337+39	LT.	
R-3	335+07	337+28	RT.	
R-4	336+80	337+64	RT.	
RPC-1	335+49	335+98	LT/RT	
RPC-2	336+23	336+71	LT/RT	
WK-2	336+92	337+64	RT.	
TOTALS CARRIED TO GENERAL SUMMARY				
601	ROCK CHANNEL PROTECTION TYPE C WITH FILTER	CU YD		250
608	4" CONCRETE WALK	SQ FT		354
606	BRIDGE TERMINAL ASSEMBLY, TYPE 4	EACH		4
606	ANCHOR ASSEMBLY, TYPE T	EACH		1
606	ANCHOR ASSEMBLY, TYPE A	EACH		3
606	GUARDRAIL, TYPE 5	FT		387.5
202	GUARDRAIL REMOVED	FT		475
202	WALK REMOVED	SQ FT		405

PLAN AND PROFILE - S.R. 722
STA. 334+00 TO STA. 338+00

DAR-722-6.34



END STA.	AREA		VOLUME	
	CUT	FILL	CUT	FILL
950	0	919		
950			7	1054
960				
950	8	219		
960			24	346
950				
950	18	155		
960			40	250
950				
950	25	115		
960			67	187
SHEET TOTAL			138	1837

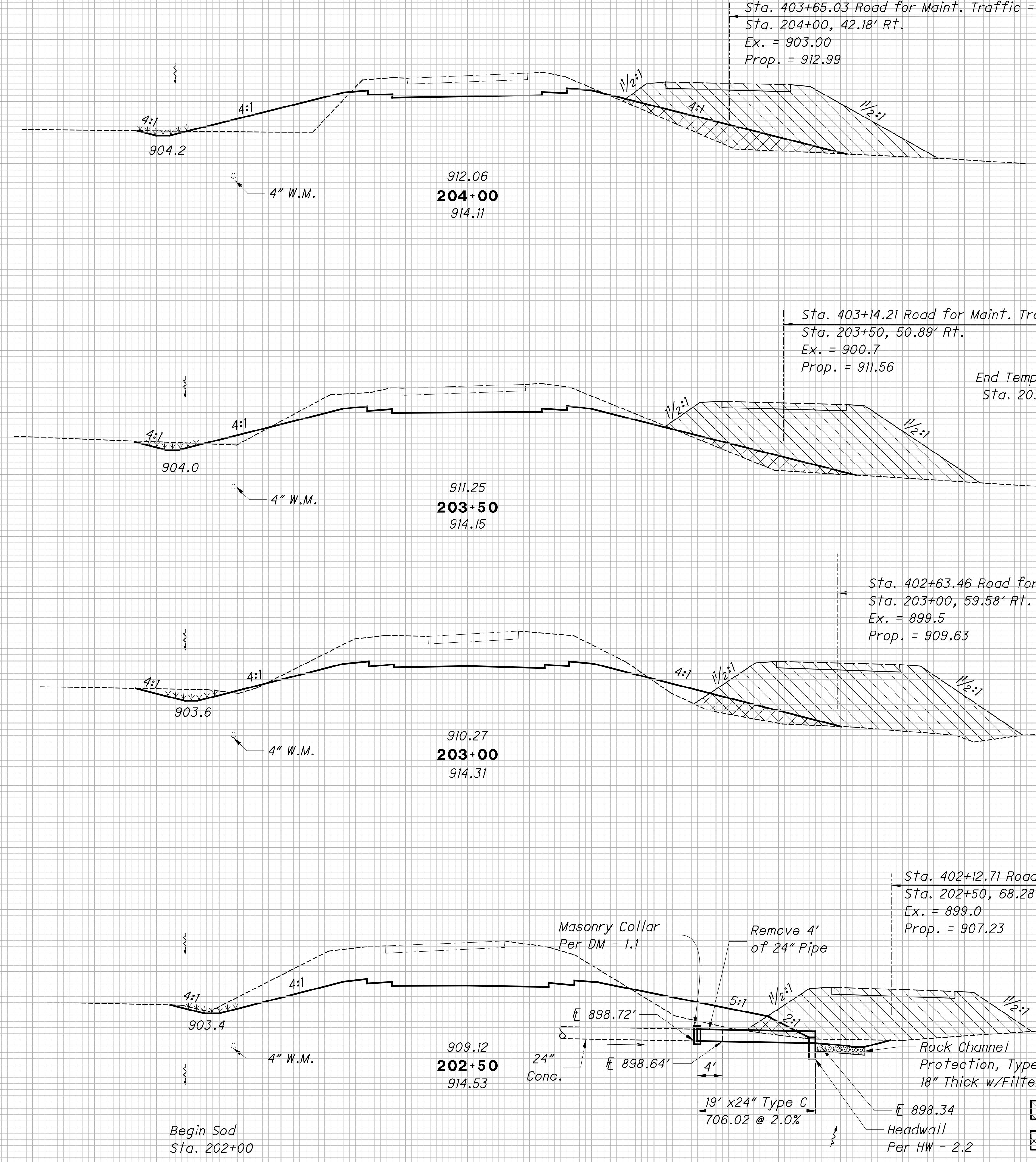
CROSS SECTIONS - S.R. 76
STA. 362+50 TO STA. 364+00

LUC-76-31.48

SEEDING
END WIDTH SQ. YDS.

ROAD FOR MAINT. TRAFFIC
SP 1310-2
DATE: OCT. 2006

517
104
583
106
586
105
581
104
2267 SHEET TOTAL



END AREA		VOLUME		END AREA		VOLUME	
CUT	FILL	CUT	FILL	CUT	FILL	CUT	FILL
0	332			95	136	156	171
		0	645			241	169
		6	703			367	94
7	395			231	56		
		6	616			509	96
0	270			319	48		
		7	297				
SHEET TOTAL		*19	*2261			1273	530

CROSS SECTIONS - S.R. 130
STA. 202+50 TO STA. 204+00

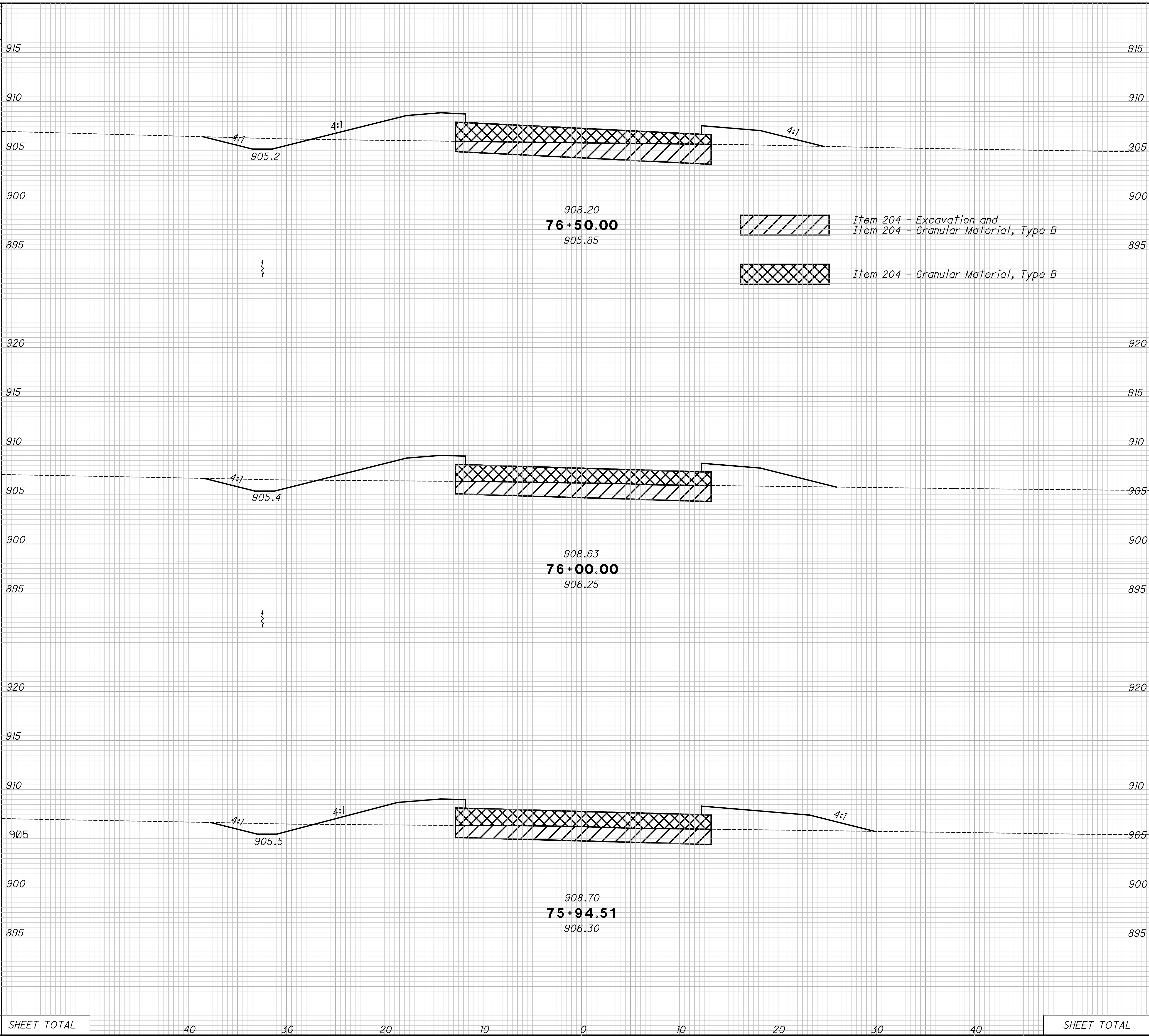
MED - 130-1.23

74
103

*For Information Only

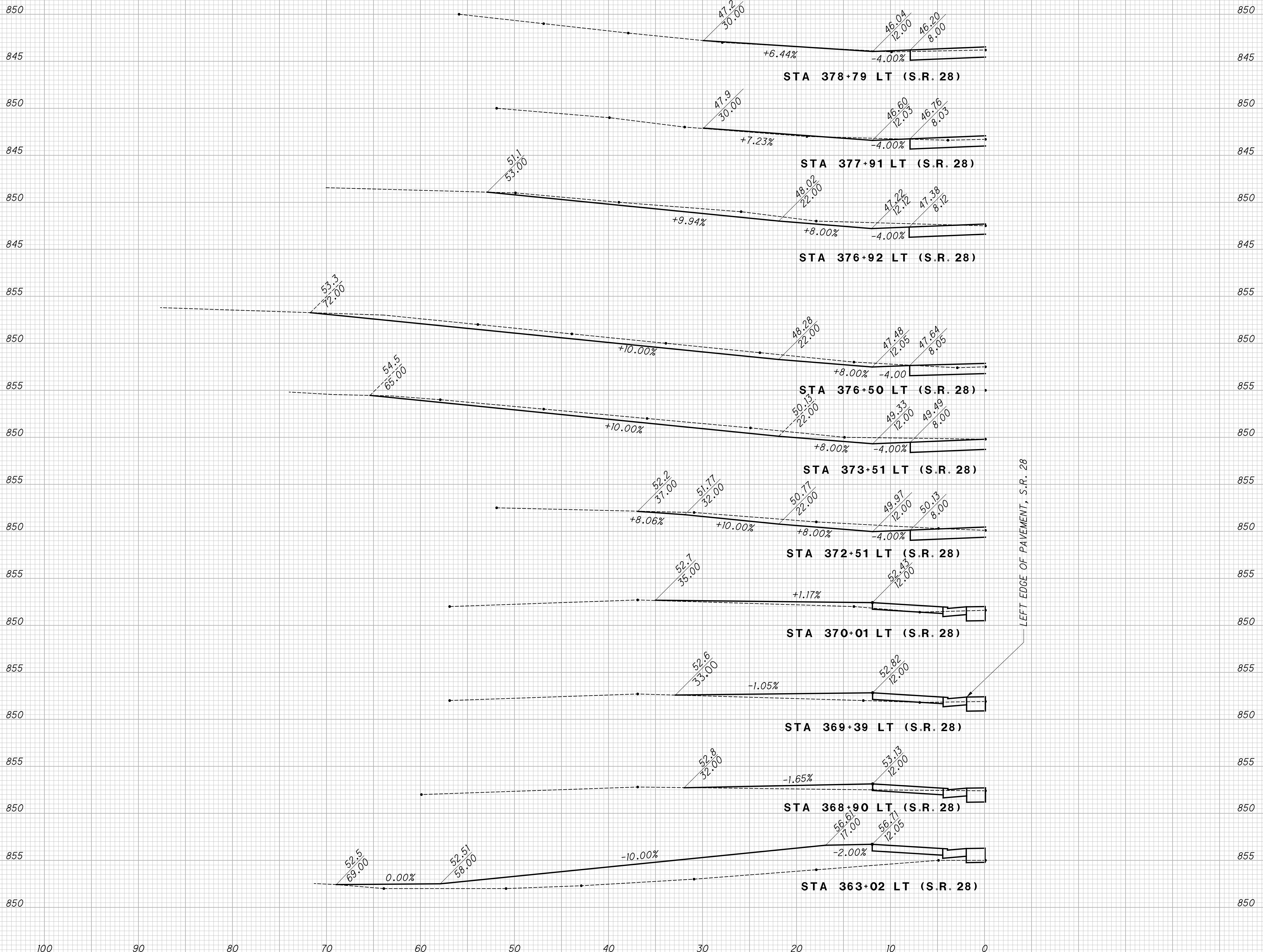
pw:\ohiodot-pw.bentley.com\ohiodot-pw-02\Documents\03 Standards\Sample Plans\SP1310-4-2006-10.dgn Sheet 2/9/2022 3:38:02 PM tpetros

SEEDING		GEOTEXTILE FABRIC	
END WIDTH	SO. YDS.	END WIDTH	SO. YDS.
44	24	247	133
45	24	28	15
48	24		
275	148	SHEET TOTAL	



SP 1310-4							
DATE: OCTOBER 2006							
ITEM 203				ITEM 204			
END AREA		VOLUME		END AREA		VOLUME	
CUT	FILL	CUT	FILL	CUT	FILL	CUT	FILL
7	41			40	78		
		14	77			72	144
8	42			38	78		
		2	9			8	16
7	51			37	78		
SHEET TOTAL		16	86			80	160

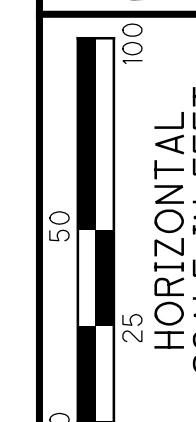
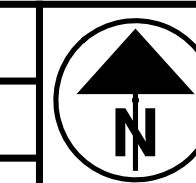
CROSS SECTIONS - RELOCATED BOUNDARIES RD (C.R. 9)
 STA. 75+92.89 TO STA. 76+50
 PER / LIC-13-28-73 / 0.00
 CALCULATED GFR JAD
 CHECKED JAD



LEFT EDGE OF PAVEMENT, S.R. 28

DRIVEWAY PROFILES

HUR - 28 - 6.86

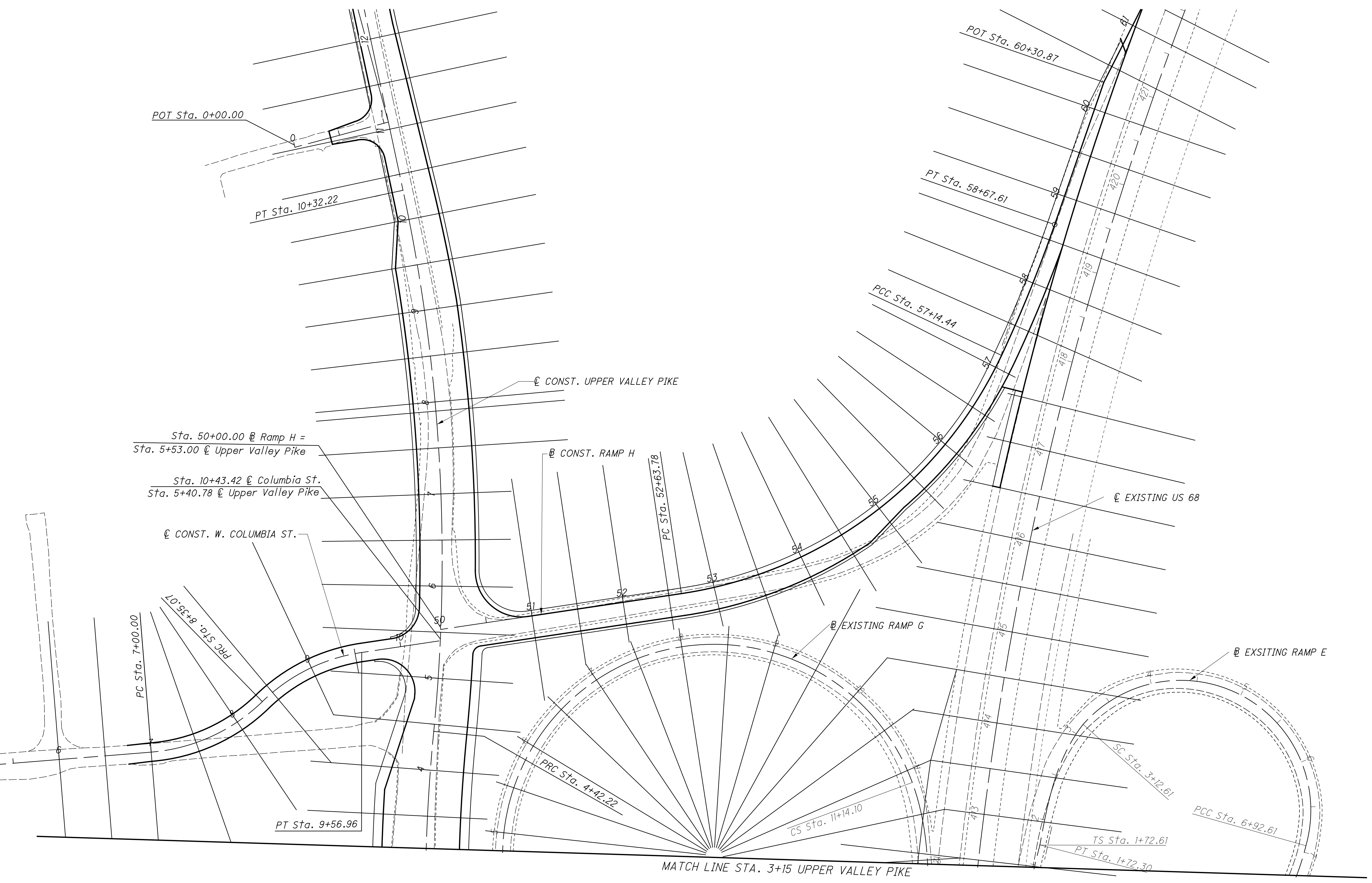


CALCULATED
MSQ
CHECKED
JAD

CROSS SECTION LAYOUT

CLA-40-10.18

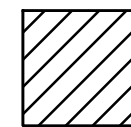
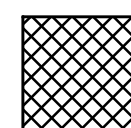
p:\ohiodot-pw\ohiodot-pw-02\Documents\03_Standards\Sample_Plans\SP1310-6_2006-10.dgn Sheet 2/9/2022 3:38:17 PM ipetros

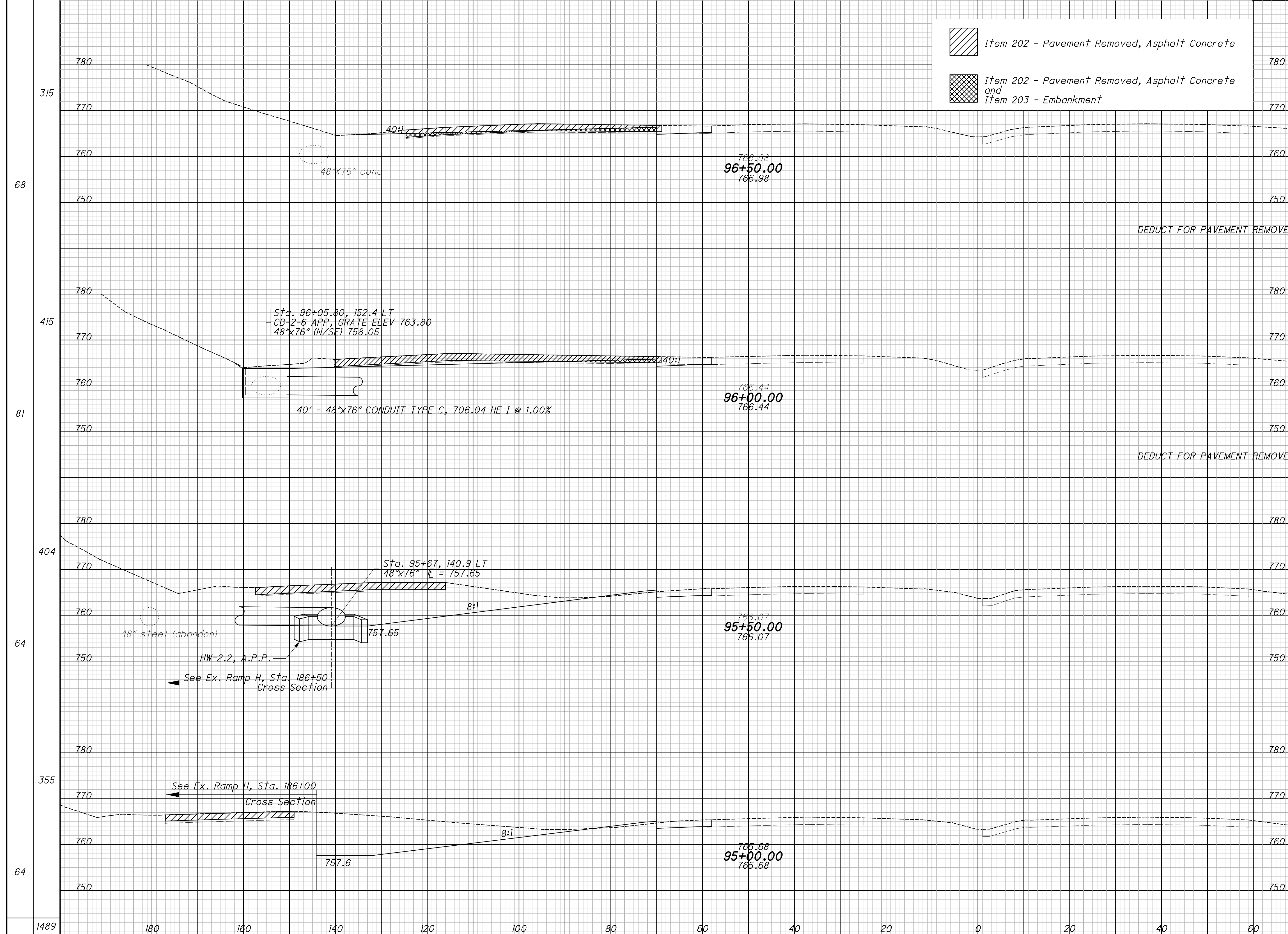


SEEDING
END WIDTH SQ. YDS.

315	68	415	81	404	64	355	64	1489
-----	----	-----	----	-----	----	-----	----	------

END AREA		VOLUME	
CUT	FILL	CUT	FILL
81	26		
		224	32
		-157	0
160	9		
		459	3
		-124	0
335	4		
		602	8
315	5		
		605	16
		1609	59

 Item 202 - Pavement Removed, Asphalt Concrete
 Item 202 - Pavement Removed, Asphalt Concrete and Item 203 - Embankment



CROSS SECTIONS - S.R. 315
STA. 95+00 TO STA. 96+50

FRA - 315 - 12.18

SUPERELEVATION TABLE

P. I. Station 20+00.00

Dc = 6° 00'

LEFT SIDE					CENTERLINE CONTROL		RIGHT SIDE					REMARKS
EDGE ELEVATION	TRANSITION RATE	*ELEVATION CORRECTION	CROSS SLOPE	WIDTH	STATION	PROFILE GRADE	WIDTH	CROSS SLOPE	*ELEVATION CORRECTION	TRANSITION RATE	EDGE ELEVATION	
840.79	▲	-0.17	-0.0156	11.01	14+95.00	840.96	11.01	-0.0156	-0.17		840.79	N.C.
840.81		-0.15	-0.0135	11.10	15+00.00	840.96	11.10	-0.0156	-0.17		840.79	
840.93		-0.03	-0.0026	11.55	15+25.00	840.96	11.55	-0.0156	-0.18		840.78	
840.96		0.00	0.0000	11.66	15+31.25	840.96	11.66	-0.0156	-0.18		840.78	1/2 LEVEL
841.05		+0.09	+0.0075	12.00	15+50.00	840.96	12.00	-0.0156	-0.19		840.77	
841.14		+0.19	+0.0156	12.00	15+68.80	840.96	12.00	-0.0156	-0.19	▲	840.77	R.C.
841.17		+0.21	+0.0179	12.00	15+75.00	840.96	12.00	-0.0179	-0.21		840.75	
841.28	2/11	+0.33	+0.0278	12.00	16+00.00	840.95	12.00	-0.0278	-0.33		840.62	
841.40		+0.45	+0.0397	12.00	16+25.00	840.95	12.00	-0.0377	-0.45		840.50	
841.52		+0.57	+0.0476	12.00	16+50.00	840.95	12.00	-0.0476	-0.57		840.38	
841.61		+0.66	+0.0553	12.00	16+69.40	840.95	12.00	-0.0553	-0.66	2/11	840.29	P.C.
841.64		+0.69	+0.0575	12.00	16+75.00	840.95	12.00	-0.0575	-0.69		840.26	
841.76		+0.81	+0.0674	12.00	17+00.00	840.95	12.00	-0.0674	-0.81		840.14	
841.88		+0.93	+0.0773	12.00	17+25.00	840.95	12.00	-0.0773	-0.93		840.02	
841.95	▼	+1.00	+0.0830	12.00	17+39.33	840.95	12.00	-0.0830	-1.00		839.95	
841.95		+1.00	+0.0830	12.00	17+50.00	840.95	12.00	-0.0830	-1.00	▼	839.95	F.S.
842.00		+1.00	+0.0830	12.00	17+75.00	841.00	12.00	-0.0830	-1.00		840.00	
842.15		+1.00	+0.0830	12.00	18+00.00	841.25	12.00	-0.0830	-1.00		840.15	
842.42		+1.00	+0.0830	12.00	18+25.00	841.42	12.00	-0.0830	-1.00		840.42	
842.78		+1.00	+0.0830	12.00	18+50.00	841.78	12.00	-0.0830	-1.00		840.78	
843.26		+1.00	+0.0830	12.00	18+75.00	842.26	12.00	-0.0830	-1.00		841.26	
843.84		+1.00	+0.0830	12.00	19+00.00	842.84	12.00	-0.0830	-1.00		841.84	
844.52		+1.00	+0.0830	12.00	19+25.00	843.52	12.00	-0.0830	-1.00		842.52	
845.31		+1.00	+0.0830	12.00	19+50.00	844.31	12.00	-0.0830	-1.00		843.31	
846.21		+1.00	+0.0830	12.00	19+75.00	845.21	12.00	-0.0830	-1.00		844.21	
847.21		+1.00	+0.0830	12.00	20+00.00	846.21	12.00	-0.0830	-1.00		845.21	
848.32		+1.00	+0.0830	12.00	20+25.00	847.32	12.00	-0.0830	-1.00		846.32	
849.53		+1.00	+0.0830	12.00	20+50.00	848.53	12.00	-0.0830	-1.00		847.53	
850.85		+1.00	+0.0830	12.00	20+75.00	849.85	12.00	-0.0830	-1.00		848.85	
852.27		+1.00	+0.0830	12.00	21+00.00	851.27	12.00	-0.0830	-1.00		850.27	
853.80		+1.00	+0.0830	12.00	21+25.00	852.80	12.00	-0.0830	-1.00		851.80	
855.44		+1.00	+0.0830	12.00	21+50.00	854.44	12.00	-0.0830	-1.00		853.44	
857.18		+1.00	+0.0830	12.00	21+75.00	856.18	12.00	-0.0830	-1.00		855.18	
859.03		+1.00	+0.0830	12.00	22+00.00	858.03	12.00	-0.0830	-1.00		857.03	
860.98		+1.00	+0.0830	12.00	22+25.00	859.98	12.00	-0.0830	-1.00		858.98	
861.87	▲	+1.00	+0.0830	12.00	22+35.95	860.87	12.00	-0.0830	-1.00	▲	859.87	F.S.
862.96		+0.93	+0.0775	12.00	22+50.00	862.03	12.00	-0.0776	-0.93		861.10	
865.01		+0.81	+0.0677	12.00	22+75.00	864.20	12.00	-0.0677	-0.81		863.39	
867.16		+0.69	+0.0578	12.00	23+00.00	866.47	12.00	-0.0578	-0.69		865.78	
867.69		+0.67	+0.0554	12.00	23+05.94	867.02	12.00	-0.0554	-0.67	2/11	866.35	P.T.
869.41		+0.57	+0.0479	12.00	23+25.00	868.84	12.00	-0.0479	-0.57		868.27	
871.78		+0.46	+0.0380	12.00	23+50.00	871.32	12.00	-0.0380	-0.46		870.86	
874.19	2/11	+0.34	+0.0281	12.00	23+75.00	873.85	12.00	-0.0281	-0.34		873.51	
876.61		+0.22	+0.0182	12.00	24+00.00	876.39	12.00	-0.0182	-0.22		876.17	
877.24		+0.19	+0.0156	12.00	24+06.48	877.05	12.00	-0.0156	-0.19	▼	876.86	R.C.
879.02		+0.10	+0.0083	12.00	24+25.00	878.92	12.00	-0.0156	-0.19		878.73	
881.03		0.00	0.0000	11.62	24+45.83	881.03	11.62	-0.0156	-0.18		880.85	1/2 LEVEL
881.43		-0.02	-0.0017	11.55	24+50.00	881.45	11.55	-0.0156	-0.18		881.27	
883.84		-0.14	-0.0126	11.10	24+75.00	883.98	11.10	-0.0156	-0.17		883.81	
884.47	▼	-0.17	-0.0156	10.98	24+81.50	884.64	10.98	-0.0156	-0.17		884.47	N.C.

* NEGATIVE CORRECTIONS MEANING BELOW PROFILE GRADE
POSITIVE CORRECTIONS MEANING ABOVE PROFILE GRADE.

SUPERELEVATION TABLE

P. I. Station 36+45.21

Dc = 3° 00'

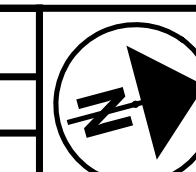
SP 1311-1
DATE: OCTOBER 2006

CALCULATED
KAK
CHECKED
LJS

LEFT SIDE					CENTERLINE CONTROL		RIGHT SIDE					REMARKS
EDGE ELEVATION	TRANSITION RATE	*ELEVATION CORRECTION	CROSS SLOPE	WIDTH	STATION	PROFILE GRADE	WIDTH	CROSS SLOPE	*ELEVATION CORRECTION	TRANSITION RATE	EDGE ELEVATION	
606.93	▲	-0.19	-0.0156	12.00	33+92.16	607.12	12.00	-0.0156	-0.19		606.93	N.C.
607.13		-0.16	-0.0133	12.00	34+00.00	607.29	12.00	-0.0156	-0.19		607.10	
607.76		-0.05	-0.0042	12.00	34+25.00	607.81	12.00	-0.0156	-0.19		607.62	
608.04		0.00	0.0000	12.00	34+37.09	608.04	12.00	-0.0156	-0.19		607.85	T.S.
608.34		+0.05	+0.0042	12.00	34+50.00	608.29	12.00	-0.0156	-0.19		608.10	
608.88	236.5/1	+0.16	+0.0133	12.00	34+75.00	608.72	12.00	-0.0156	-0.19		608.53	
609.02		+0.19	+0.0156	12.00	34+82.02	608.83	12.00	-0.0156	-0.19	▲	608.64	R.C.
609.38		+0.27	+0.0225	12.00	35+00.00	609.11	12.00	-0.0225	-0.27		608.84	
609.84		+0.37	+0.0308	12.00	35+25.00	609.47	12.00	-0.0308	-0.37		609.10	
610.26		+0.48	+0.0400	12.00	35+50.00	609.78	12.00	-0.0400	-0.48		609.30	
610.63		+0.58	+0.0483	12.00	35+75.00	610.05	12.00	-0.0483	-0.58	236.5/1	609.47	
610.97		+0.69	+0.0575	12.00	36+00.00	610.28	12.00	-0.0575	-0.69		609.59	
611.12	▼	+0.74	+0.0620	12.00	36+12.09	610.38	12.00	-0.0620	-0.74	▼	609.64	S.C.
611.21		+0.74	+0.0620	12.00	36+25.00	610.47	12.00	-0.0620	-0.74		609.73	
611.36		+0.74	+0.0620	12.00	36+50.00	610.62	12.00	-0.0620	-0.74		609.88	
611.47		+0.74	+0.0620	12.00	36+75.00	610.73	12.00	-0.0620	-0.74		609.99	
611.48	▲	+0.74	+0.0620	12.00	36+77.94	610.74	12.00	-0.0620	-0.74	▲	610.00	C.S.
611.44		+0.65	+0.0542	12.00	37+00.00	610.79	12.00	-0.0542	-0.65		610.14	
611.36		+0.54	+0.0450	12.00	37+25.00	610.82	12.00	-0.0450	-0.54		610.28	
611.25		+0.44	+0.0367	12.00	37+50.00	610.81	12.00	-0.0367	-0.44		610.37	
611.08		+0.33	+0.0275	12.00	37+75.00	610.75	12.00	-0.0275	-0.33	236.5/1	610.42	
610.87	236.5/1	+0.22	+0.0183	12.00	38+00.00	610.65	12.00	-0.0183	-0.22		610.43	
610.80		+0.19	+0.0156	12.00	38+08.01	610.61	12.00	-0.0156	-0.19	▼	610.42	R.C.
610.64		+0.12	+0.0100	12.00	38+25.00	610.52	12.00	-0.0156	-0.19		610.33	
610.35		+0.01	+0.0008	12.00	38+50.00	610.34	12.00	-0.0156	-0.19		610.15	
610.31		0.00	0.0000	12.00	38+52.94	610.31	12.00	-0.0156	-0.19		610.12	S.T.
610.03		-0.09	-0.0075	12.00	38+75.00	610.12	12.00	-0.0156	-0.19		609.93	
609.69	▼	-0.19	-0.0156	12.00	38+97.87	609.88	12.00	-0.0156	-0.19		609.69	N.C.

SUPERELEVATION TABLE

BEL - 148 - 11.48



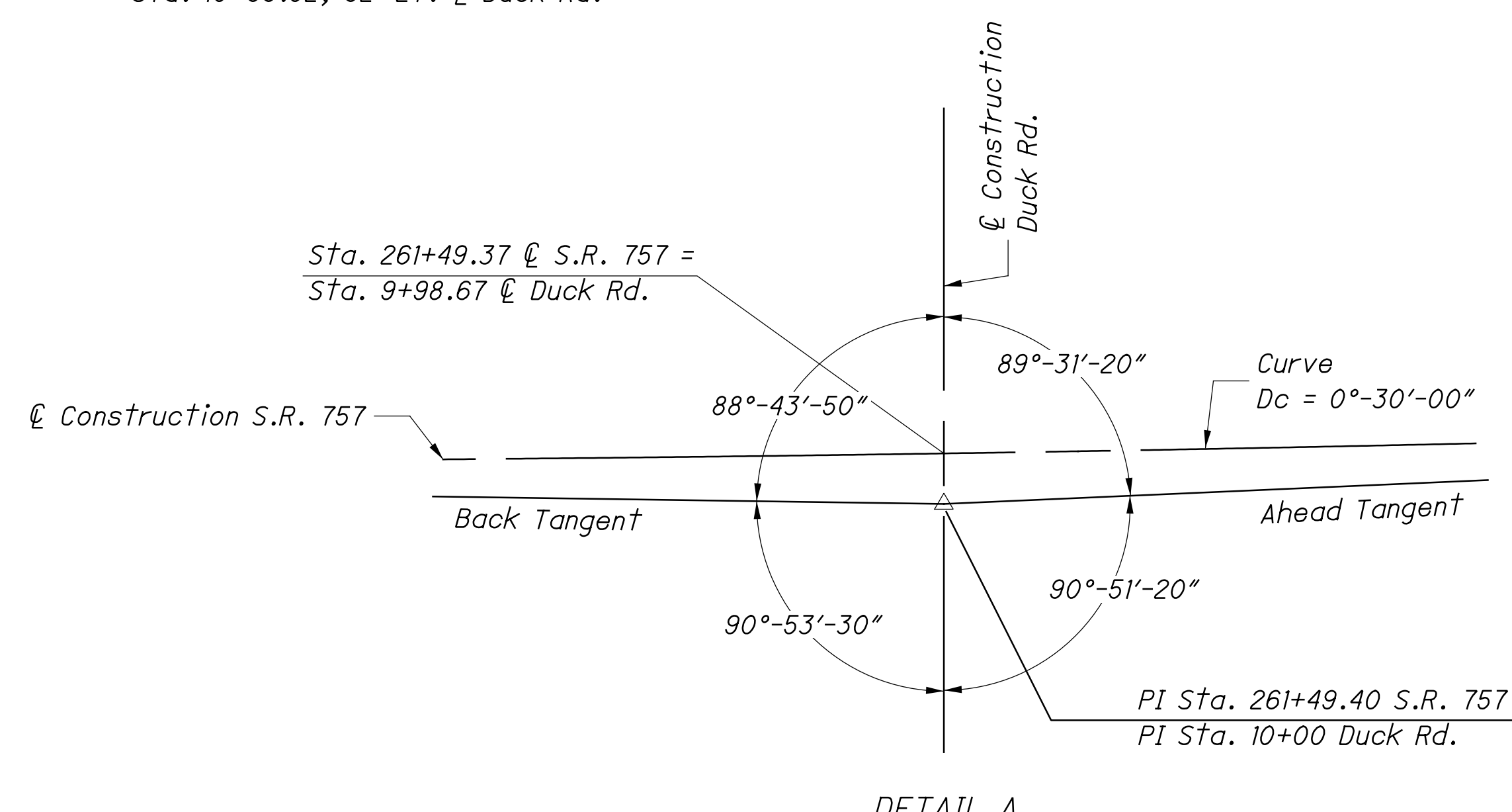
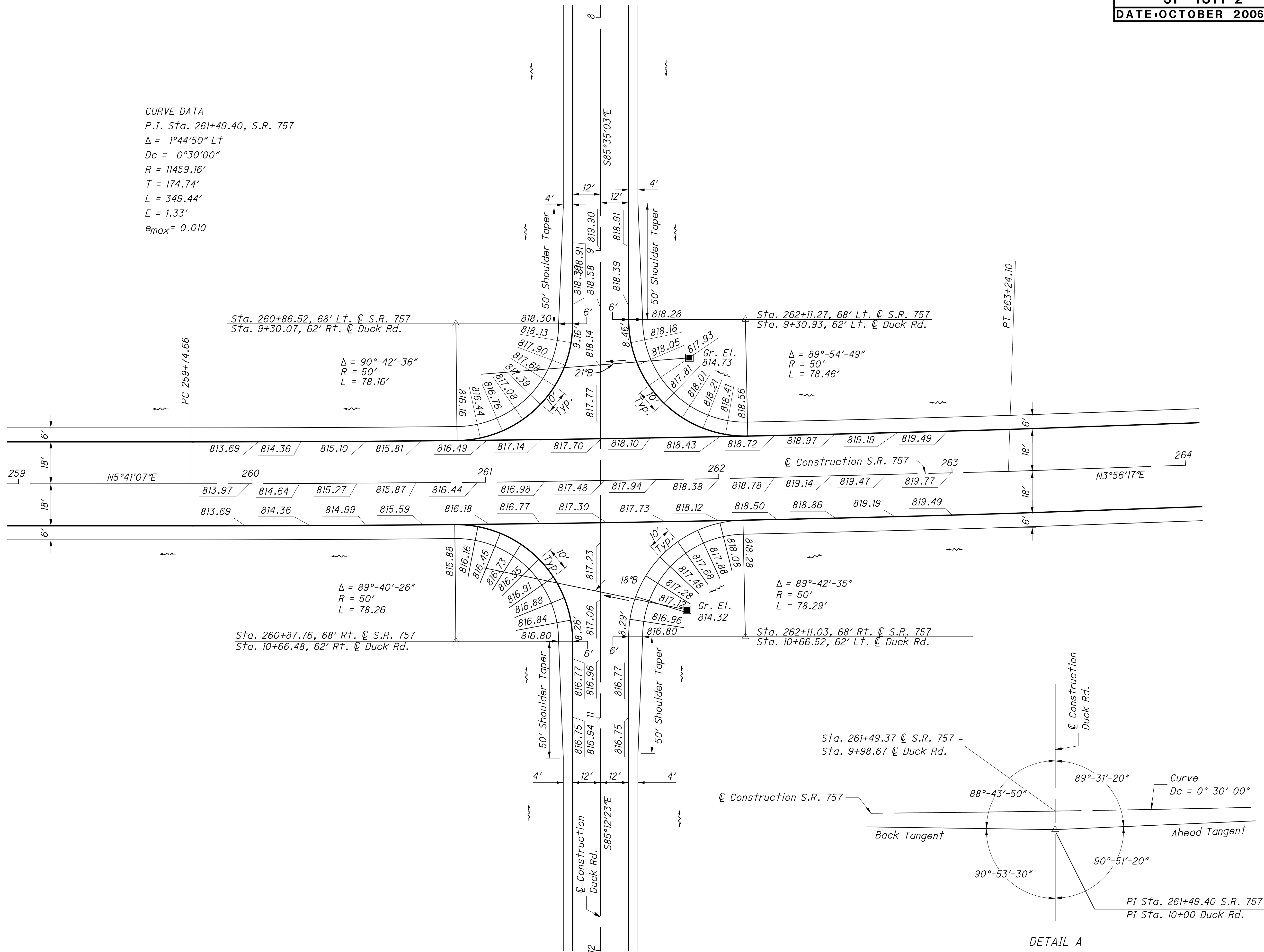
CALCULATED
VHW
CHECKED
TLH

INTERSECTION DETAIL - S.R. 757 & DUCK ROAD

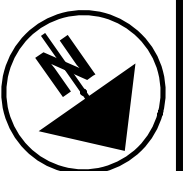
MEG-757-1.23

CURVE DATA

P.I. Sta. 261+49.40, S.R. 757
 $\Delta = 1^{\circ}44'50''$ Lt
 $D_c = 0^{\circ}30'00''$
 $R = 11459.16'$
 $T = 174.74'$
 $L = 349.44'$
 $E = 1.33'$
 $e_{max} = 0.010$



DETAIL A



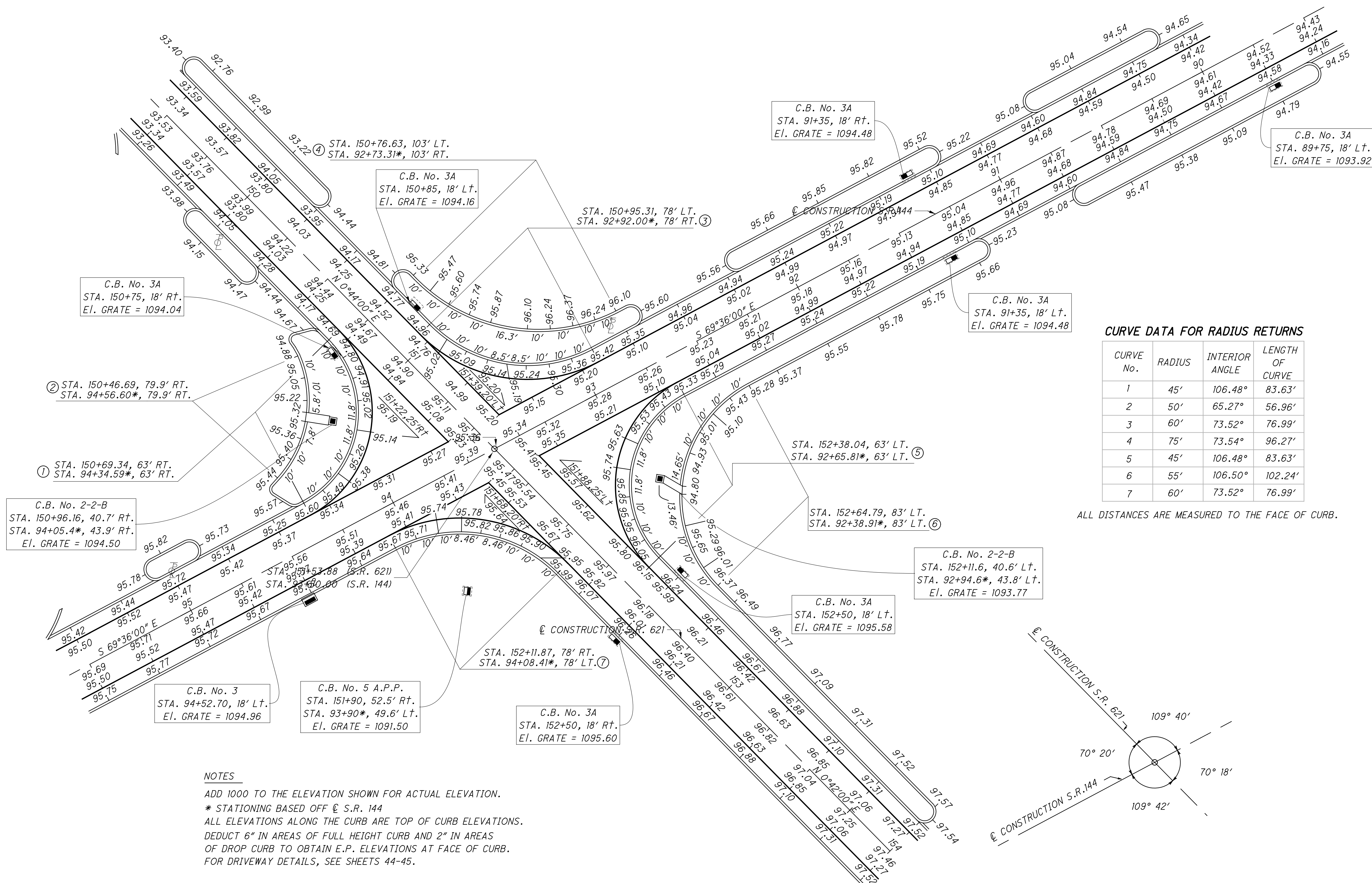
0 10 20 30 40
HORIZONTAL
SCALE IN FEET

CALCULATED
W/SR
CHECKED
S/JB

INTERSECTION DETAIL & PAVEMENT ELEVATIONS
S.R. 621 AND S.R. 144

BEL-621-5.29

42
50

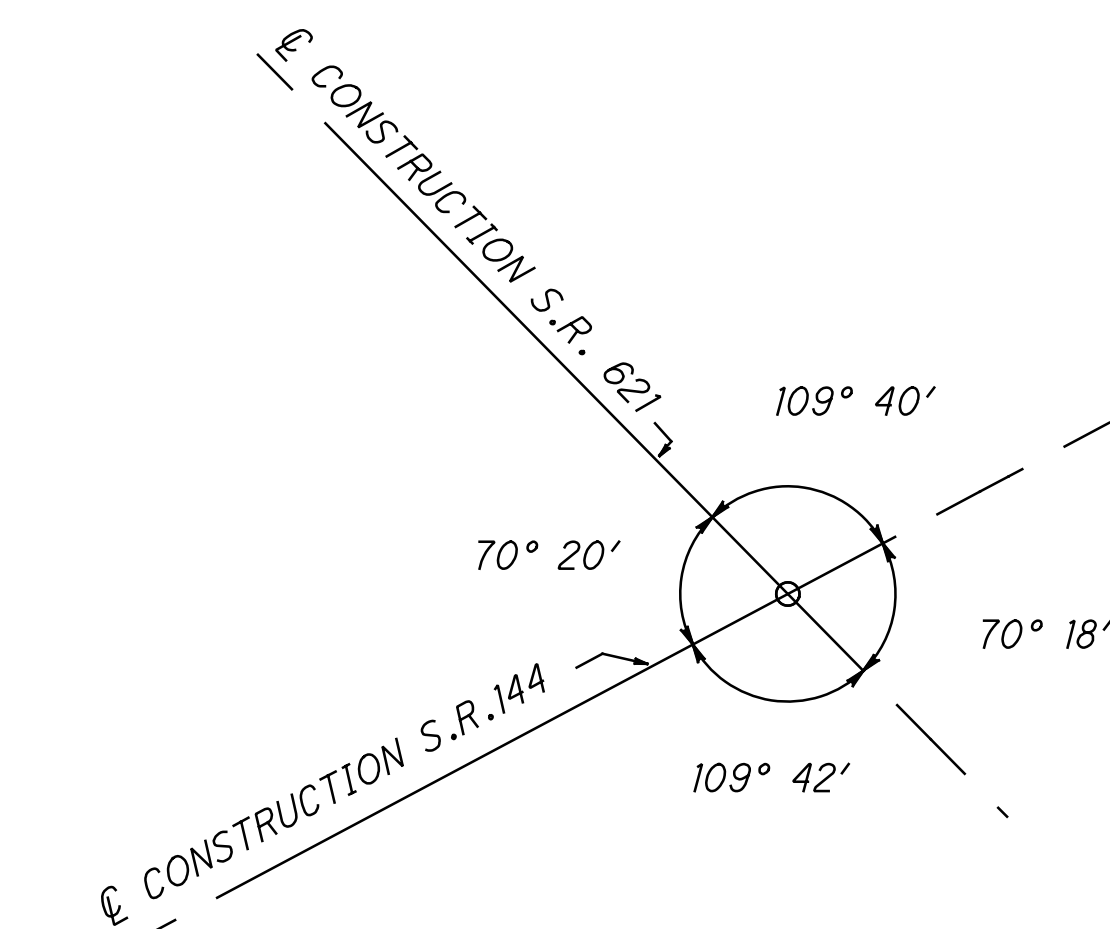


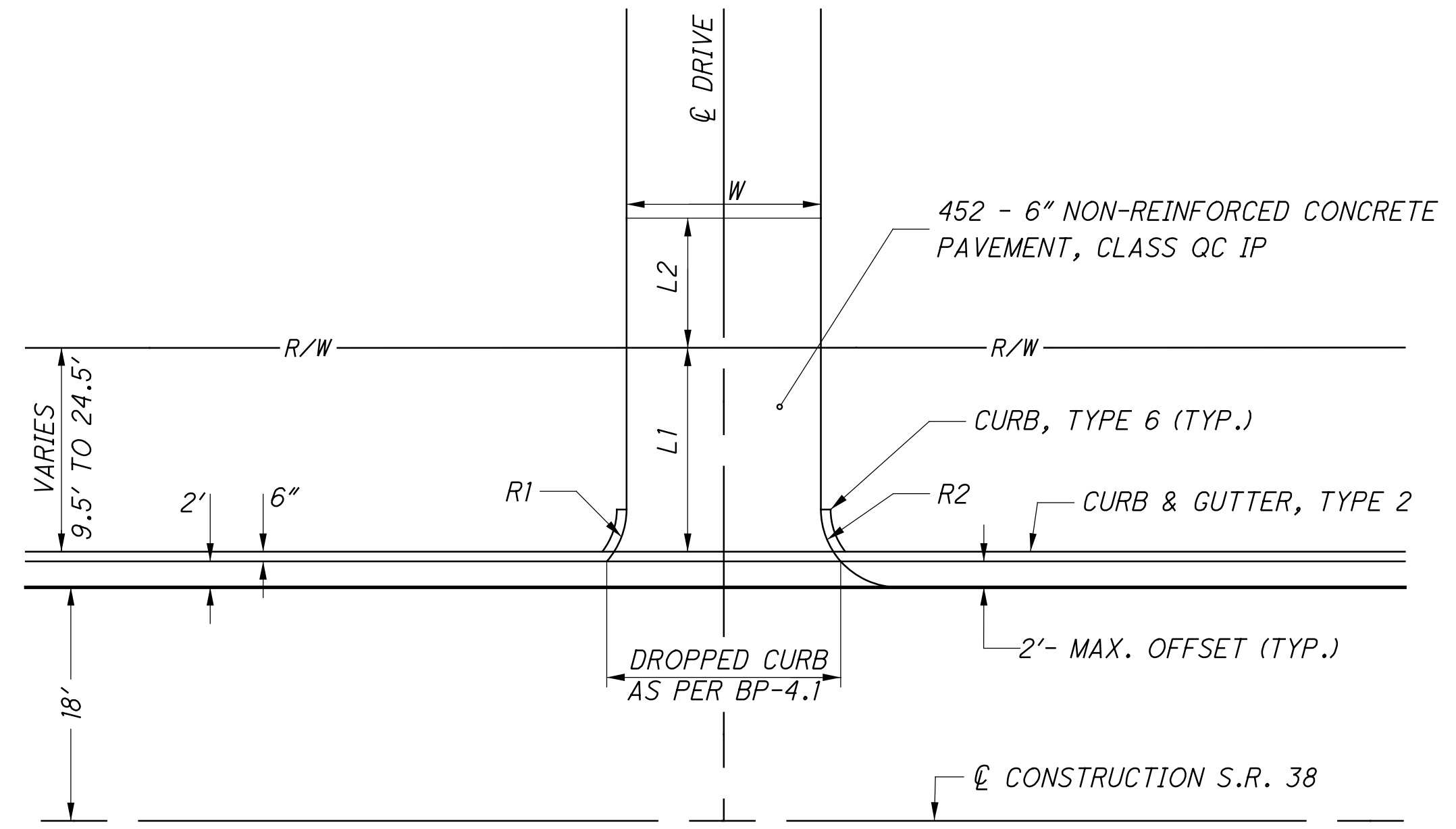
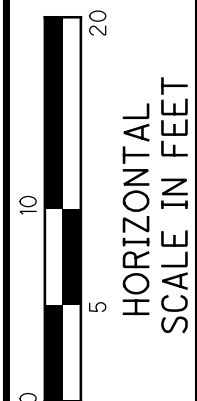
CURVE DATA FOR RADIUS RETURNS

CURVE No.	RADIUS	INTERIOR ANGLE	LENGTH OF CURVE
1	45'	106.48°	83.63'
2	50'	65.27°	56.96'
3	60'	73.52°	76.99'
4	75'	73.54°	96.27'
5	45'	106.48°	83.63'
6	55'	106.50°	102.24'
7	60'	73.52°	76.99'

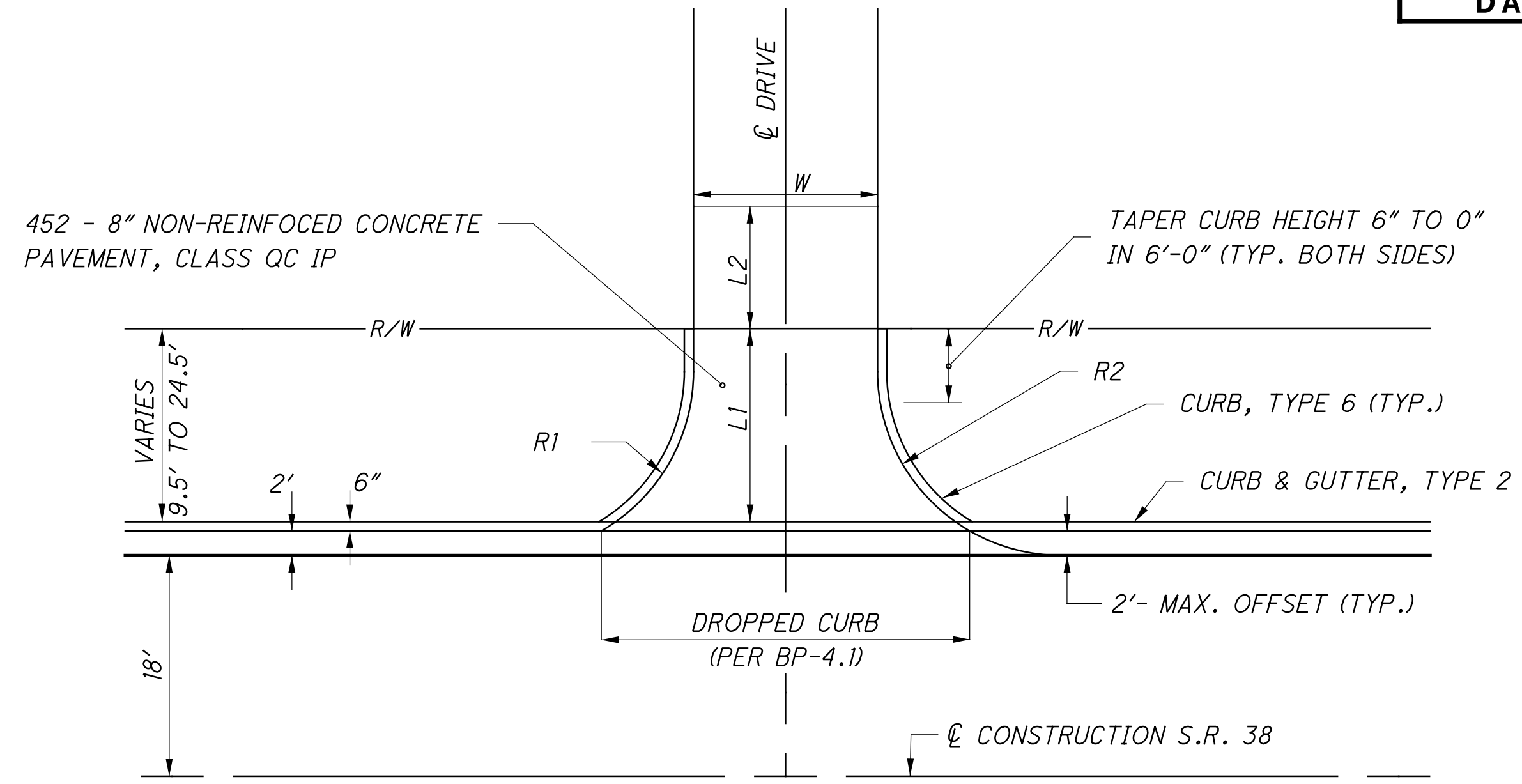
ALL DISTANCES ARE MEASURED TO THE FACE OF CURB.

NOTES
 ADD 1000 TO THE ELEVATION SHOWN FOR ACTUAL ELEVATION.
 * STATIONING BASED OFF @ S.R. 144
 ALL ELEVATIONS ALONG THE CURB ARE TOP OF CURB ELEVATIONS.
 DEDUCT 6" IN AREAS OF FULL HEIGHT CURB AND 2" IN AREAS OF DROP CURB TO OBTAIN E.P. ELEVATIONS AT FACE OF CURB.
 FOR DRIVEWAY DETAILS, SEE SHEETS 44-45.

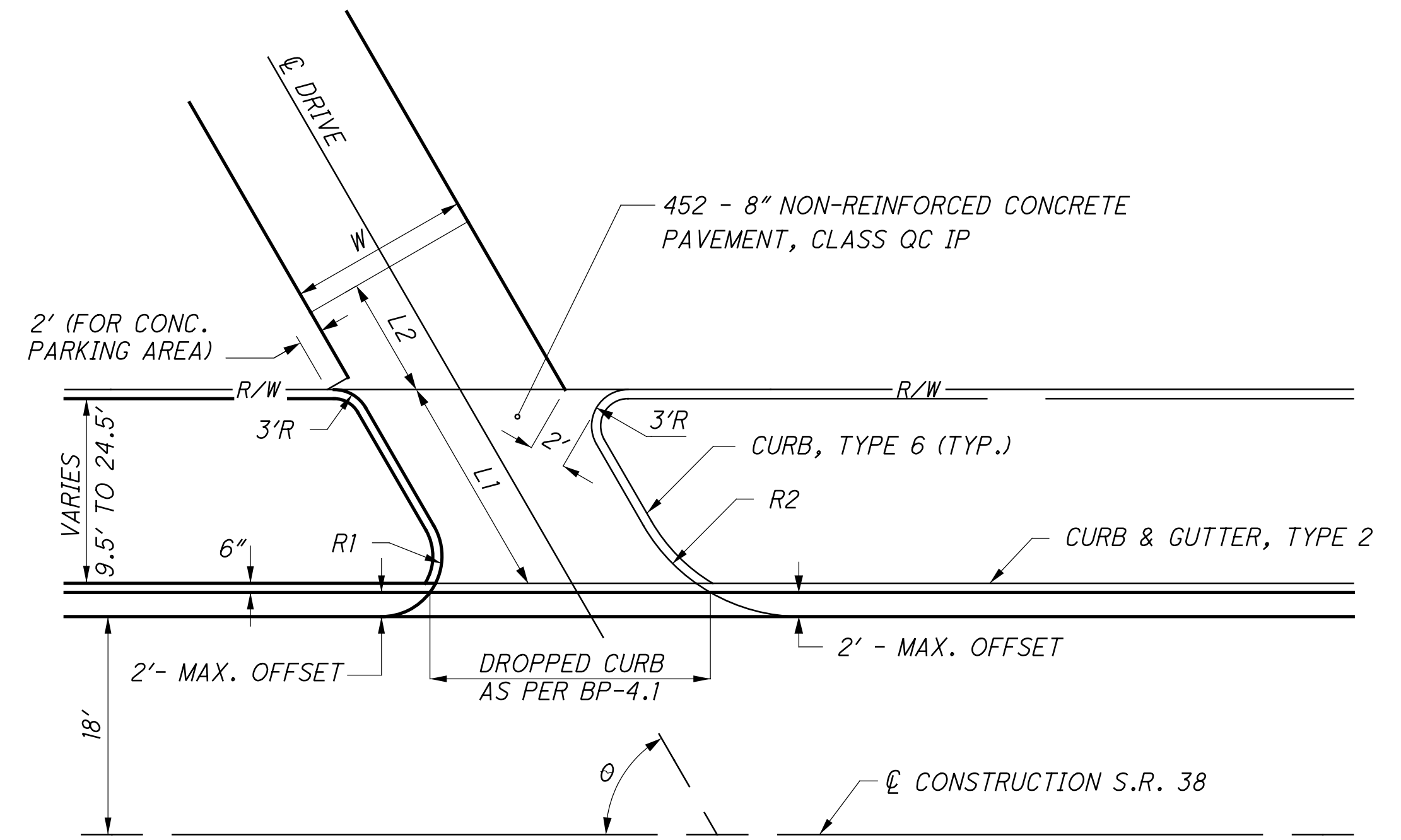




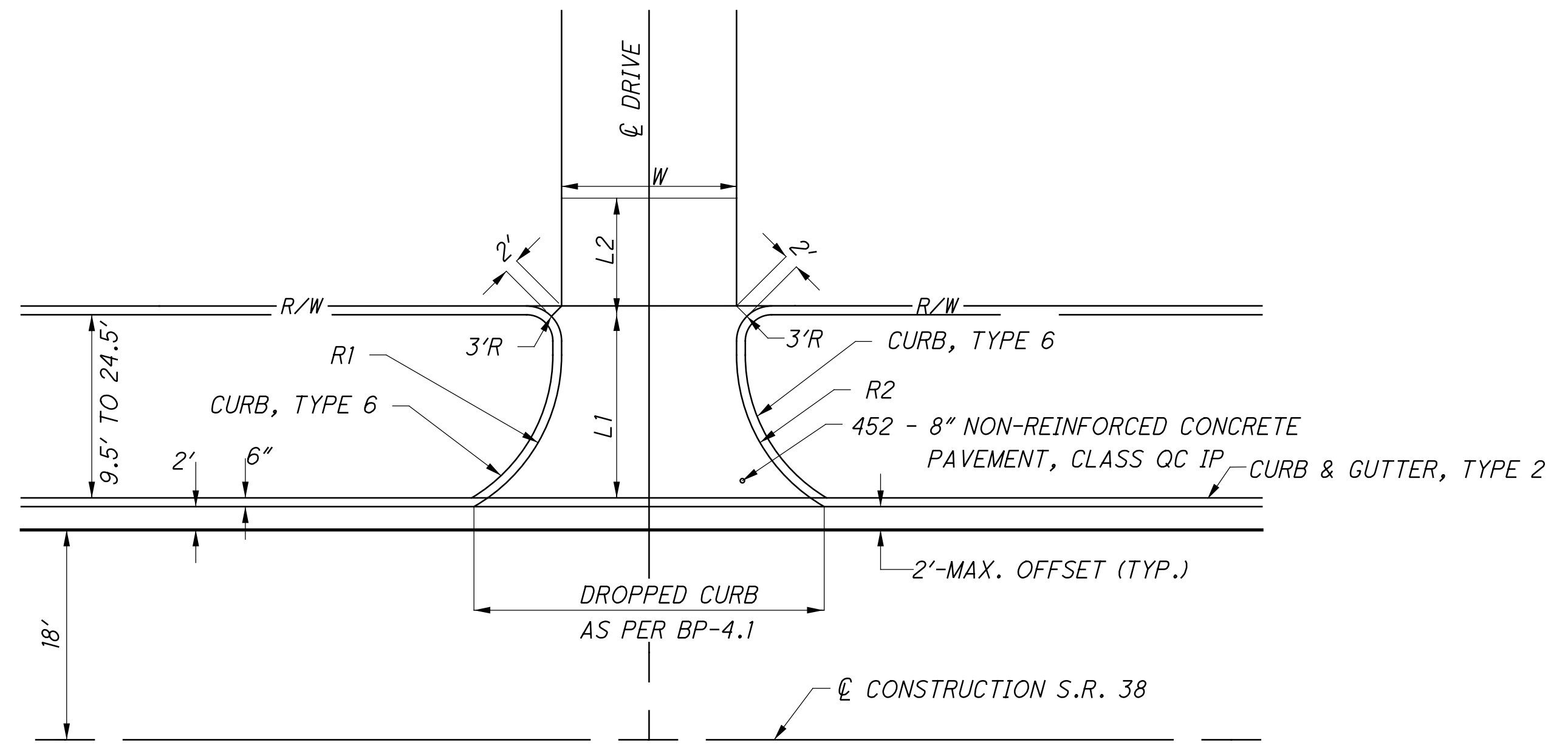
RESIDENTIAL DRIVES



COMMERCIAL DRIVES WITHOUT WRAP-AROUND CURB



SERVICE STATION DRIVES
FOR θ , SEE PLAN/PROFILE SHEETS.



COMMERCIAL DRIVES WITH WRAP-AROUND CURB

RESIDENTIAL DRIVES

- EXISTING AGGREGATE DRIVES
 - 452 - 6" NON-REINFORCED CONCRETE PAVEMENT, CLASS QC IP (APRON)
 - 301 - 8" ASPHALT CONCRETE BASE, PG64-22
- EXISTING ASPHALT DRIVES
 - 452 - 6" NON-REINFORCED CONCRETE PAVEMENT, CLASS QC IP (APRON)
 - 301 - 2" ASPHALT CONCRETE BASE, PG64-22
 - 407 - TACK COAT
 - 304 - 6" AGGREGATE BASE
- EXISTING CONCRETE DRIVES
 - 452 - 6" NON-REINFORCED CONCRETE PAVEMENT, CLASS QC IP (APRON)

COMMERCIAL AND SERVICE STATION DRIVES

- EXISTING AGGREGATE DRIVE
 - 452 - 8" NON-REINFORCED CONCRETE PAVEMENT, CLASS QC IP (APRON)
 - 304 - 10" AGGREGATE BASE
- EXISTING ASPHALT DRIVE
 - 452 - 8" NON-REINFORCED CONCRETE PAVEMENT, CLASS QC IP (APRON)
 - 442 - 1 1/4" ASPHALT CONCRETE SURFACE COURSE, 12.5MM, TYPE A (446)
 - 442 - 1 3/4" ASPHALT CONCRETE INTERMEDIATE COURSE, 19MM, TYPE A (446)
 - 407 - TACK COAT
 - 304 - 8" AGGREGATE BASE
- EXISTING CONCRETE DRIVE
 - 452 - 8" NON-REINFORCED CONCRETE PAVEMENT, CLASS QC IP (APRON)

SEE SHEET 41 FOR DRIVEWAY QUANTITIES.

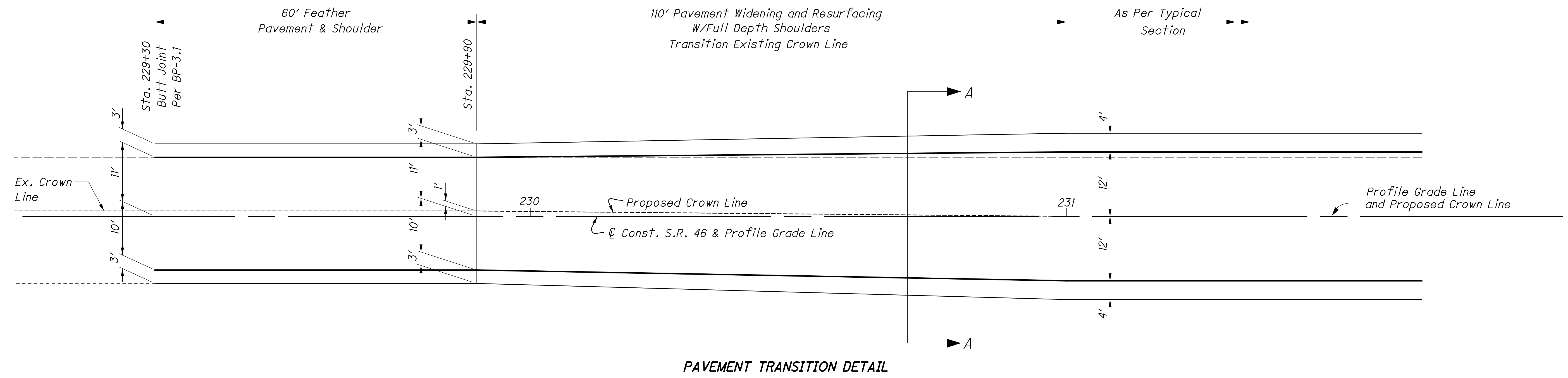
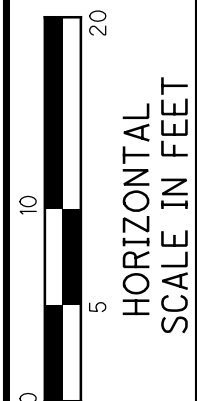
DRIVEWAY DETAILS

CAR-38-22.56

SHEET NO.	REFERENCE NO.	STATION	SIDE	DRIVE TYPE	APRON LENGTH "L1"	DRIVEWAY LENGTH "L2"	WIDTH "W"	R1 (LEFT SIDE RADIUS OF DRIVE LOOKING FROM ☺)	R2 (RIGHT SIDE RADIUS OF DRIVE LOOKING FROM ☺)	202	203		301	304			407	442		452		SP · 1311-5 DATE: JANUARY 2022		CALCULATED WSR CHECKED SUB
										PAVEMENT REMOVED	EMBANKMENT	EXCAVATION	8" ASPHALT CONCRETE BASE, PG64-22	6" AGGREGATE BASE	8" AGGREGATE BASE	10" AGGREGATE BASE	TACK COAT	1 1/4" ASPHALT CONCRETE INTERMEDIATE COURSE, 19MM, TYPE A (446)	1 1/4" ASPHALT CONCRETE SURFACE COURSE, 12.5MM, TYPE A (446)	6" NON-REINFORCED CONCRETE PAVEMENT, CLASS CC IP	8" NON-REINFORCED CONCRETE PAVEMENT, CLASS CC IP	SY	SY	
										FT	FT	FT	FT	FT	FT	FT	FT	FT	FT	FT	FT	FT	FT	
71	DR-1	695+70	RT	COMM.	9.50	13.0	35.0	15.0	15.0	186.6		8											120.7	
71	DR-2	696+27.03	RT	COMM.	11.0	17.0	12.0	15.0	6.00			5	1.1		5.2		9.3		0.8				17.1	
71	DR-3	696+62	RT	COMM.	9.50	15.0	35.0	15.0	15.0	217.7		7											218.9	
		PARKING	RT							111.7		26	2.2		10.6		19.0		1.6					
71	DR-4	697+25	LT	COMM.	9.50	20.0	26.0	15.0	15.0			19	2.8		12.8		23.1		2.0				31.8	
71	DR-5	697+68	RT	COMM.	9.50	10.0	35.0	15.0	15.0	141.7		11											85.6	
71		PARKING TO 698+00	RT							26.1		12											26.1	
74	DR-1	10+75	RT	COMM.	17.5	--	35.0	15.0	3.00	67.7		4											66.2	
		2ND ST. N.W.																						
74	DR-2	10+36	LT	RES.	17.0	23.3	8.00	4.00	6.00			15		2.7		6.4	0.9			30.0				
		2ND ST. N.W.																						
74	DR-3	698+87	LT	COMM.	9.50	28.0	25.0	15.0	15.0		6	10	3.8	17.3		31.1		2.7					32.0	
74	DR-4	699+96	RT	RES.	10.0	9.50	15.0	6.00	6.00			13	3.9							7.8				
		PARKING								29.3		5	3.1							1.6				
74	DR-5	700+77	RT	COMM.	9.50	5.00	35.0	15.0	15.0			16											40.7	
		PARKING	RT									2												
74	DR-6	701+32	RT	COMM.	10.0	11.0	21.0	--	6.00			6											27.1	
76	DR-1	702+45	RT	COMM.	9.50	12.5	35.0	15.0	15.0	165.6	16												94.9	
		PARKING								53.7	3												53.7	
76	DR-2	703+60	RT	COMM.	10.0	26.5	35.0	15.0	15.0			29	5.5		24.8		44.7		3.9				51.8	
76	DR-3	706+69	LT	RES.	9.50	5.00	13.0	6.00	6.00			3	1.5							14.4				
76	DR-4	704+21	LT	RES.	9.50	5.00	21.0	6.00	6.00		1	1	1.5							14.4				
76	DR-5	705+14	LT	RES.	9.50	--	28.0	6.00	6.00		4									29.1				
77	DR-1	706+39	LT	RES.	9.50	5.00	8.00	6.00	6.00			2	1.0							8.7				
77	DR-2	707+44	LT	RES.	9.50	1.00	12.0	6.00	6.00			5		0.2		0.5	0.1			13.1				
77	DR-3	708+05	RT	COMM.	9.50	9.50	35.0	15.0	15.0			22	1.0		4.2	7.6		0.7					41.1	
		PARKING									11	1.8		8.0	14.4		1.3							
77	DR-4	709+01	RT	COMM.	9.50	5.00	19.0	15.0	15.0			5	0.6		2.8	5.1		0.4					24.0	
77	DR-5	709+81	LT	RES.	9.50	10.5	17.0	6.00	6.00			5		1.8		4.2	0.6			19.6				
		PARKING									3			3.7	8.9	1.2							35.6	
		5TH ST. N.W.																						
77	DR-7	10+67	LT	RES.	17.0	--	6.00	2.30	6.00	35.6										18.9				
		5TH ST. N.W.																						
78	DR-1	710+44	LT	COMM.	9.50	10.0	21.5	15.0	15.0			13	1.4		6.7	12.0		1.0					29.1	
		PARKING									17	3.1		13.7	24.7		2.2							
78	DR-2	711+08	LT	RES.	9.50	39.0	17.0	6.00	6.00		2	7		9.1	21.9	3.0			20.2					
78	DR-3	711+58	RT	COMM.	9.50	6.00	35.0	15.0	15.0			15	1.4		6.4	11.5		1.0					42.7	
		PARKING									16	2.8		12.8	23.1		2.0							
78	DR-4	711+96	LT	COMM.	9.50	16.5	35.0	15.0	5.00			16	3.9		17.9	32.3		2.8					40.9	
		PARKING									14	2.2		10.4	18.7		1.6							
78	DR-5	712+53	RT	COMM.	9.50	3.00	35.0	15.0	15.0			15											42.7	
		PARKING	RT								2				2.1									
78	DR-6	713+39	LT	COMM.	9.50	13.0	35.0	5.00	15.0			9	2.8		12.8	23.1		2.0					36.4	
		PARKING	LT								1		0.1		0.7	1.3		0.1						
78	DR-7	713+18	RT	COMM.	9.50	3.00	35.0	15.0	15.0			15											42.7	
		PARKING	RT								6			4.4		8.0		0.7						
78	DR-8	713+64	LT	RES.	9.50	20.0	14.0	6.00	6.00		1	2	6.4							16.2				
TOTALS CARRIED TO GENERAL SUMMARY										1036	33	393	55	214			351	33		194	1202			

DRIVEWAY SUBSUMMARY

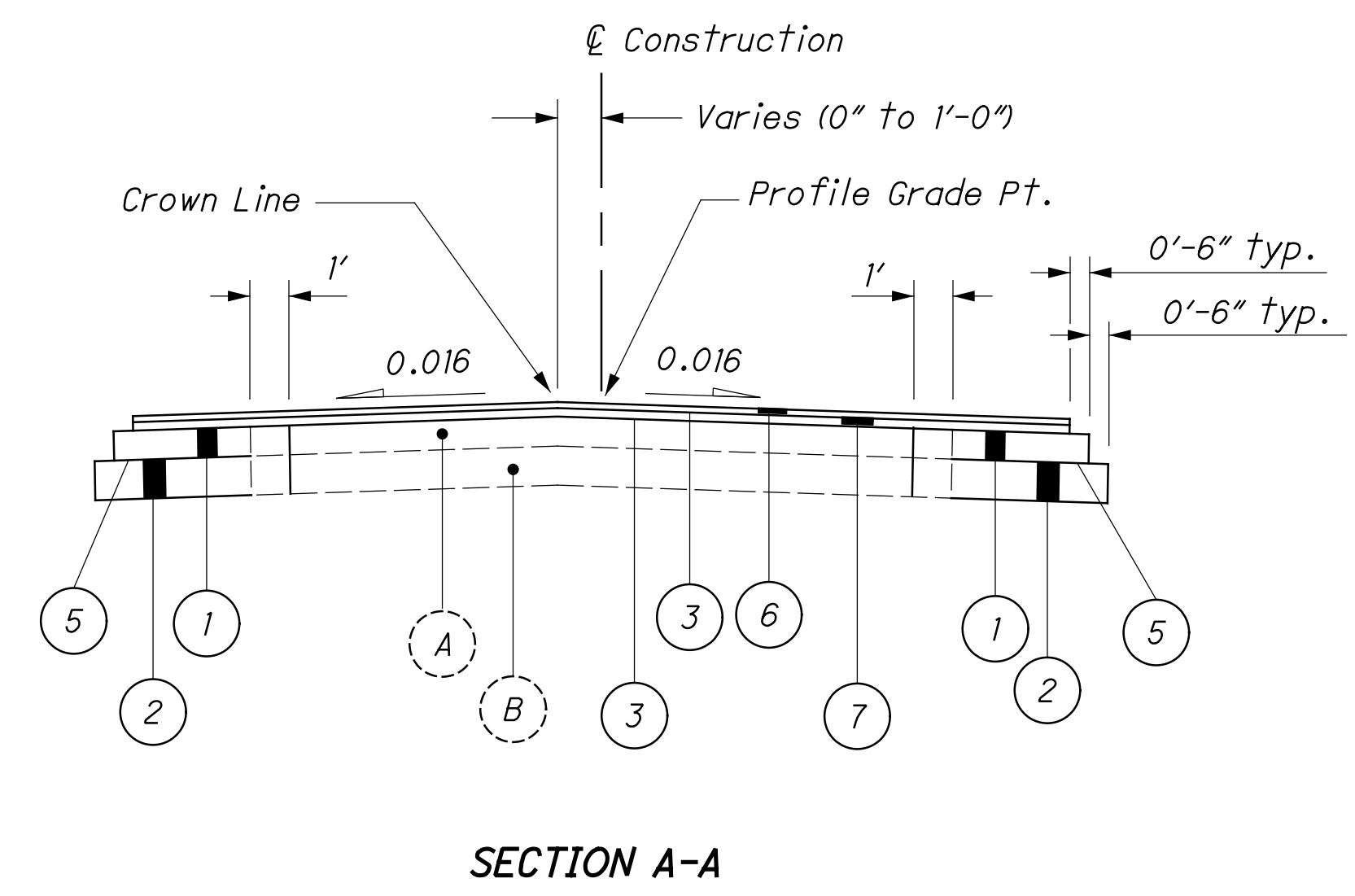
CAR - 38 - 22.56



PAVEMENT TRANSITION DETAIL

LEGEND

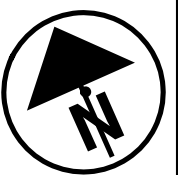
- ① ITEM 301 - 5" ASPHALT CONCRETE BASE, PG64-22
- ② ITEM 304 - 6" AGGREGATE BASE
- ③ ITEM 407 - TACK COAT (Applied at a rate of 0.075 gal/yd²)
- ④ NOT USED
- ⑤ ITEM 408 - PRIME COAT (Applied at a rate of 0.4 gal/yd²)
- ⑥ ITEM 441 - 1/4" ASPHALT CONCRETE SURFACE COURSE, TYPE 1, (446), PG64-22
- ⑦ ITEM 441 - 3/4" ASPHALT CONCRETE INTERMEDIATE COURSE, TYPE 2, (446)
- Ⓐ ± 5" Asphalt
- Ⓑ ± 8" Macadam Base



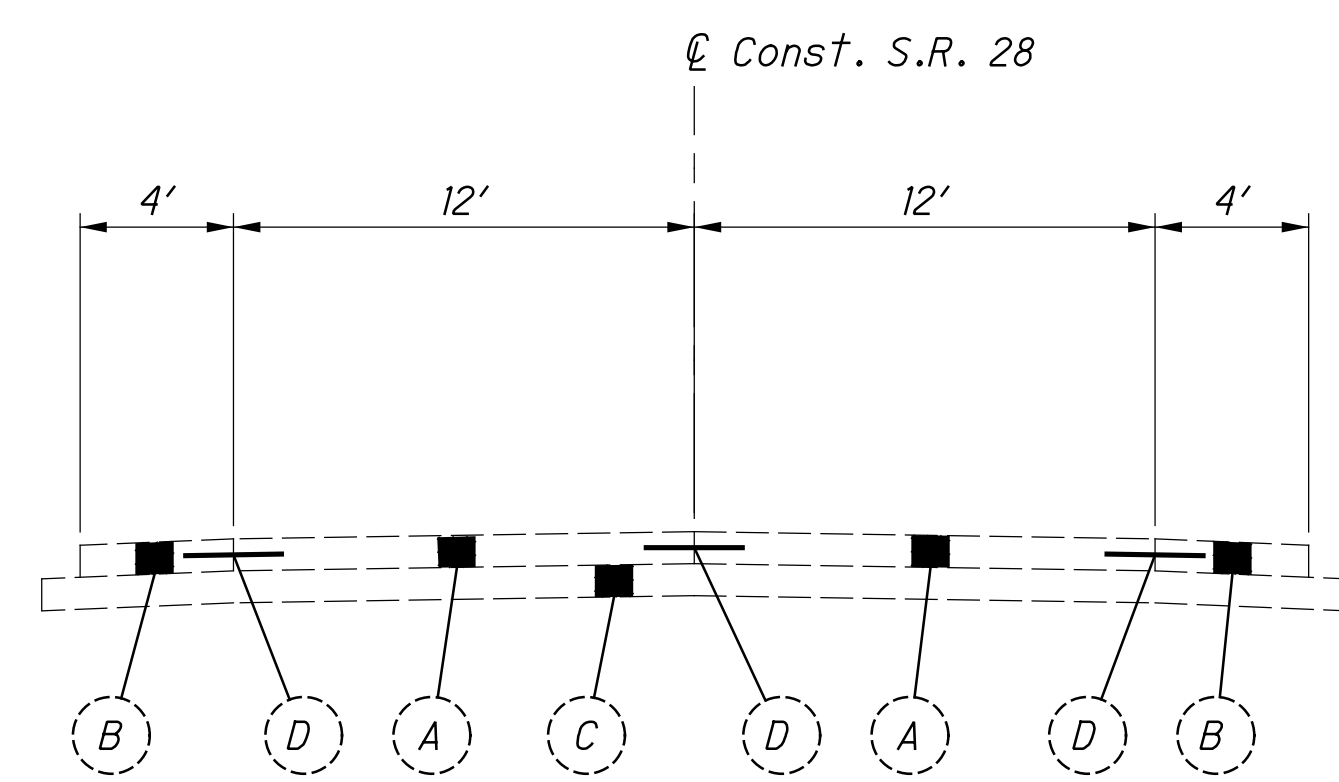
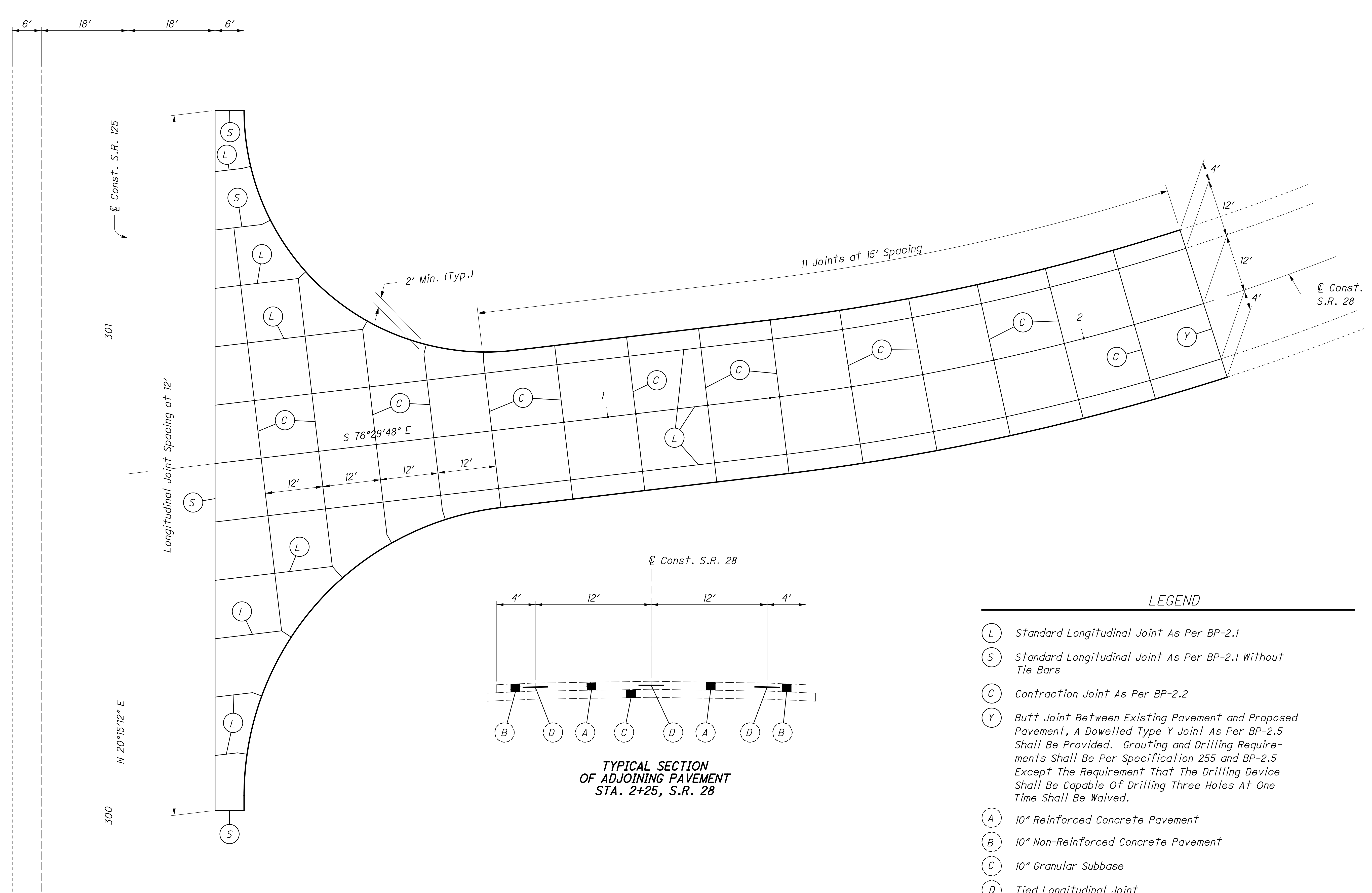
SECTION A-A

PAVEMENT TRANSITION DETAILS

PIC-46-27.22



CALCULATED
AAM
CHECKED
DEM



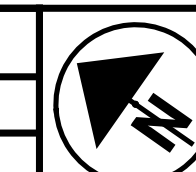
TYPICAL SECTION
OF ADJOINING PAVEMENT
STA. 2+25, S.R. 28

LEGEND

- (L) Standard Longitudinal Joint As Per BP-2.1
- (S) Standard Longitudinal Joint As Per BP-2.1 Without Tie Bars
- (C) Contraction Joint As Per BP-2.2
- (Y) Butt Joint Between Existing Pavement and Proposed Pavement, A Dowelled Type Y Joint As Per BP-2.5 Shall Be Provided. Grouting and Drilling Requirements Shall Be Per Specification 255 and BP-2.5 Except The Requirement That The Drilling Device Shall Be Capable Of Drilling Three Holes At One Time Shall Be Waived.
- (A) 10" Reinforced Concrete Pavement
- (B) 10" Non-Reinforced Concrete Pavement
- (C) 10" Granular Subbase
- (D) Tied Longitudinal Joint

PAVEMENT JOINT DETAIL
S.R. 28

LOR-28-0.00

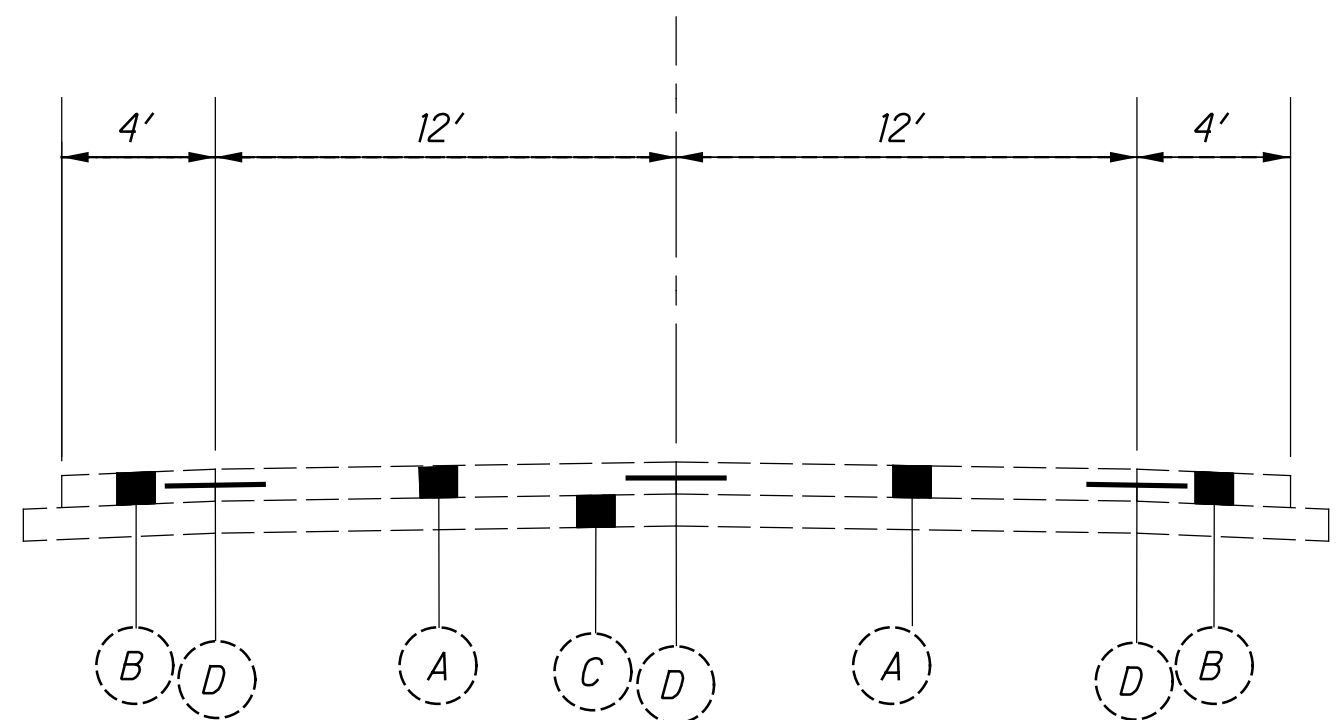


CALCULATED: VHW
CHECKED: TLH

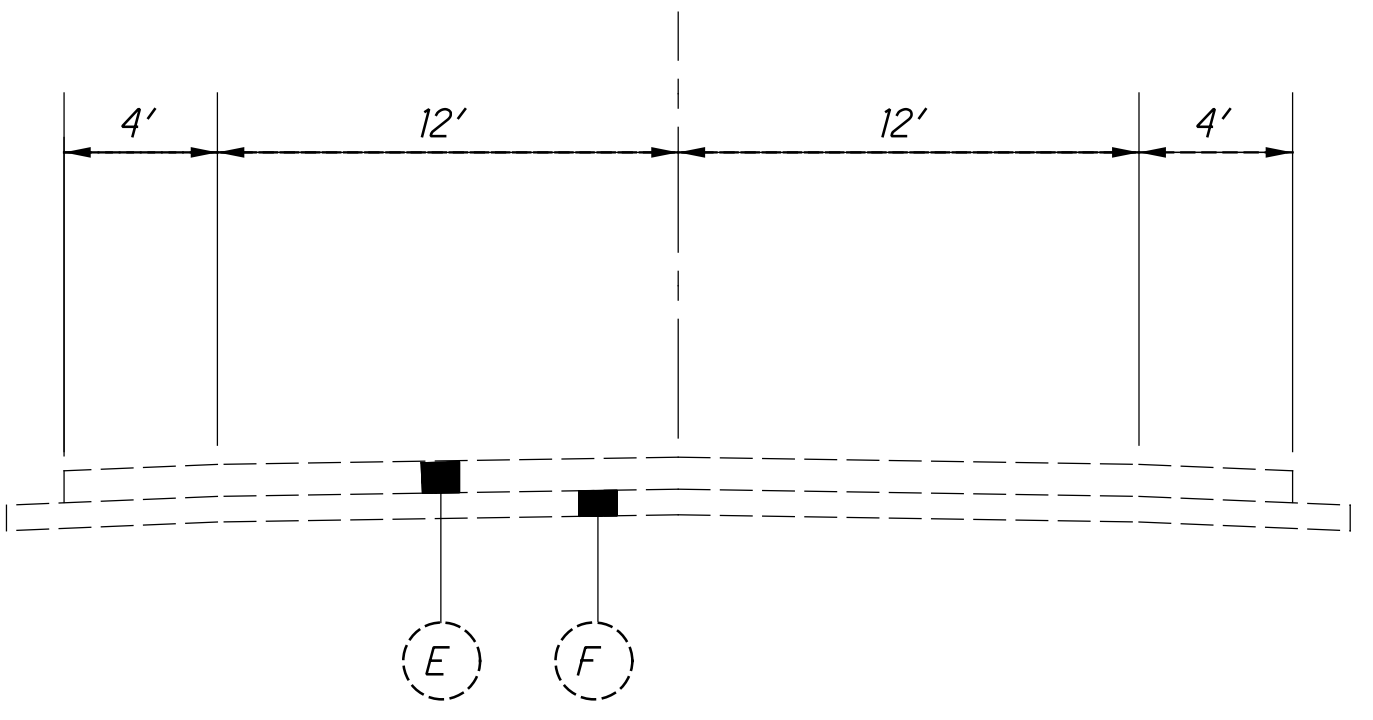
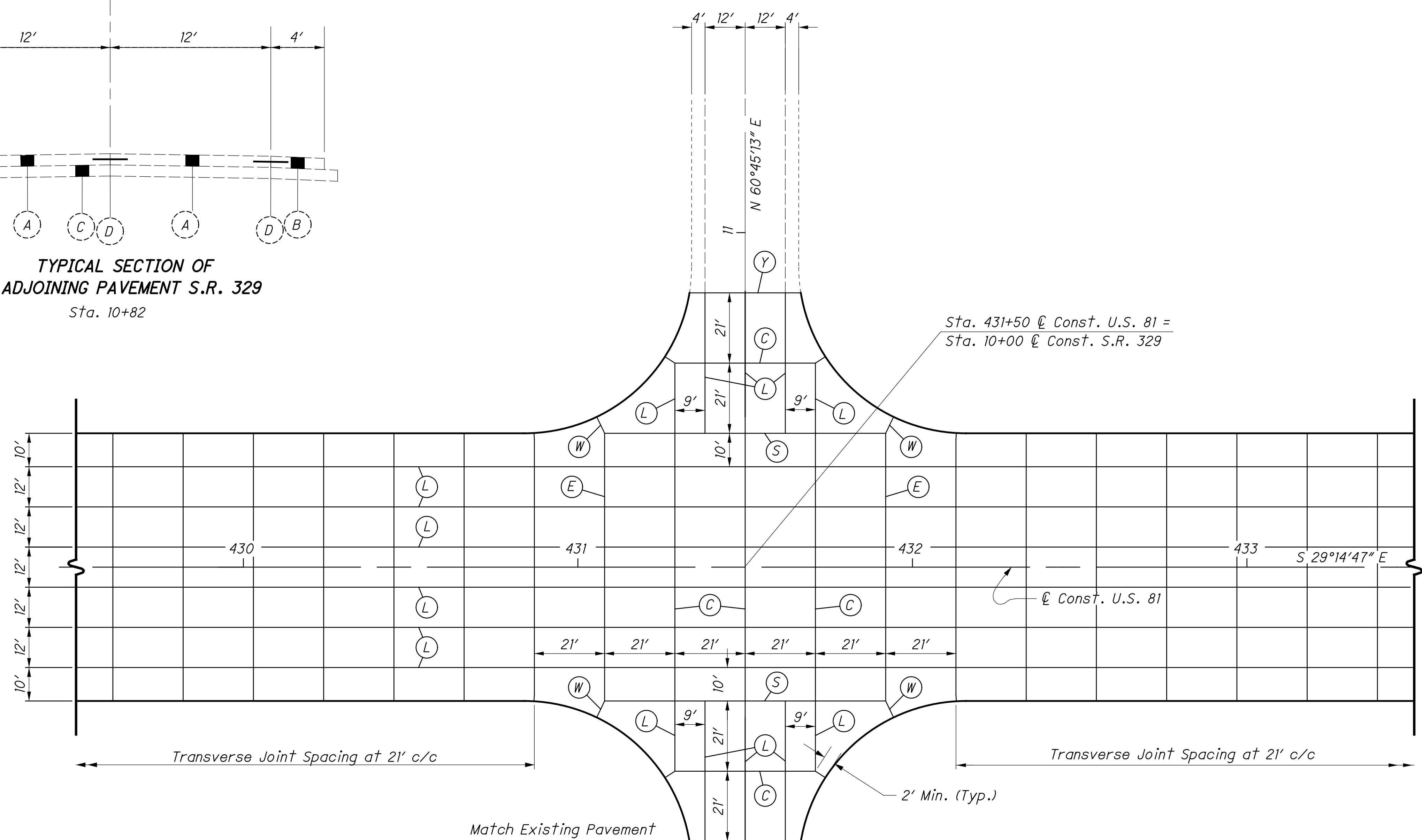
HORIZONTAL SCALE IN FEET
0 10 20 40

PAVEMENT JOINT DETAIL
U.S.R. 81 AND S.R. 329

HOC-81-18.58
103
189



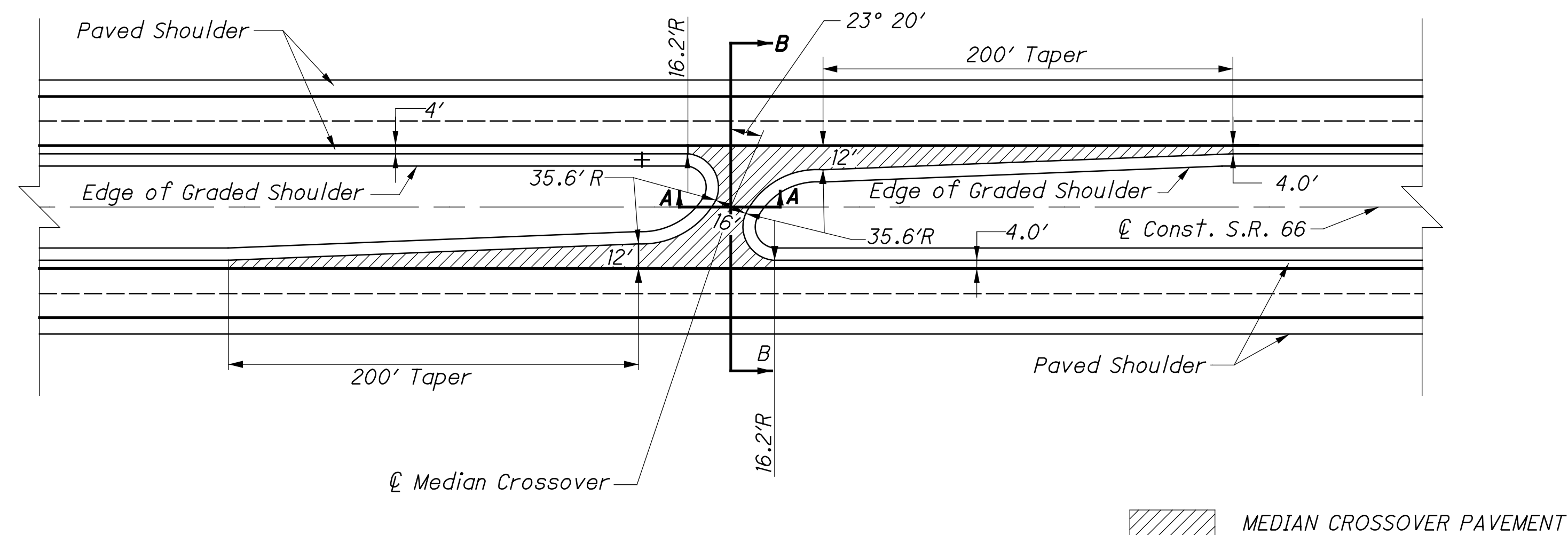
TYPICAL SECTION OF
ADJOINING PAVEMENT S.R. 329
Sta. 10+82



TYPICAL SECTION OF
ADJOINING PAVEMENT S.R. 329
Sta. 9+18

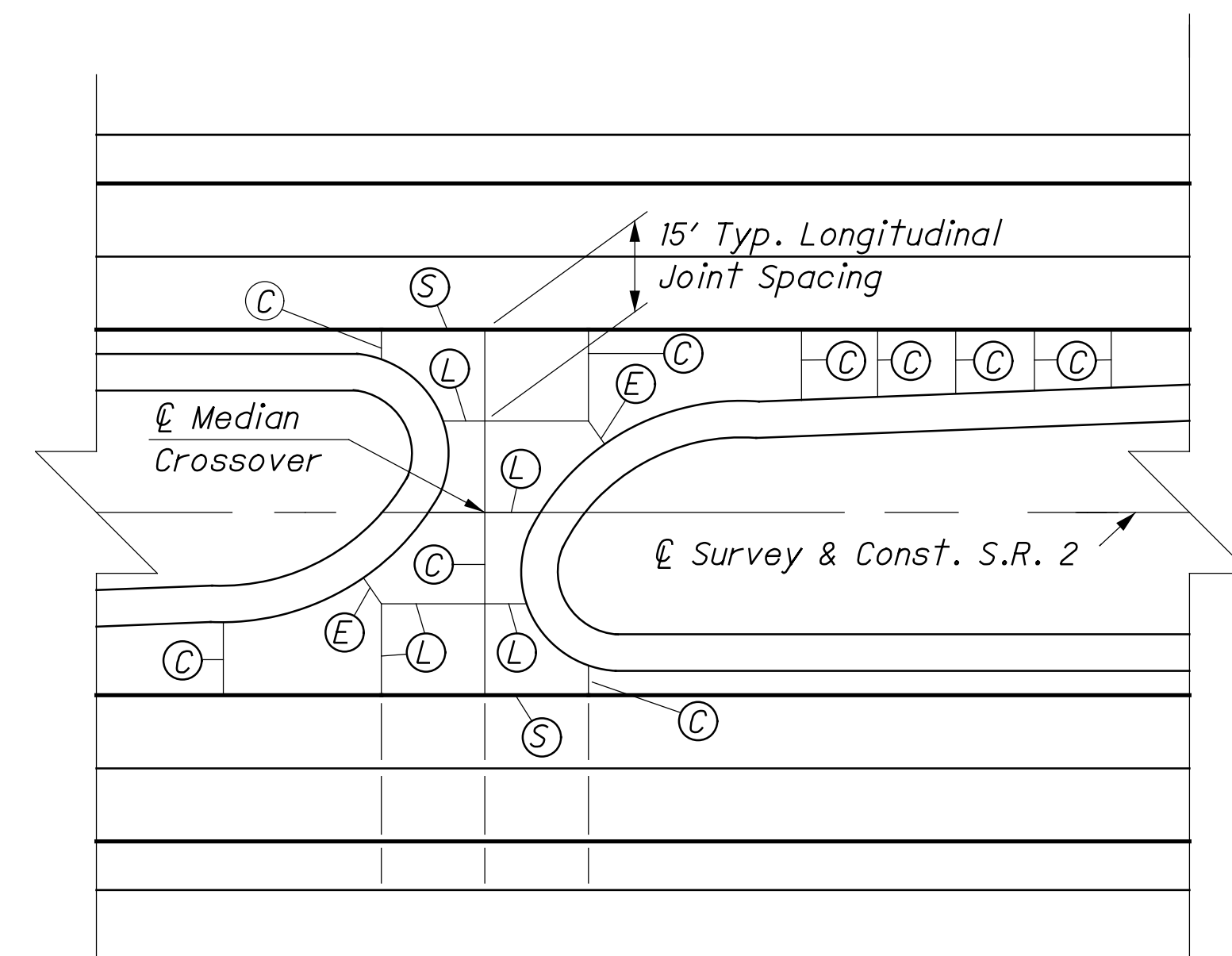
LEGEND

- | | |
|---|--|
| (E) Expansion Joint As Per BP-2.2 | (A) 10" Reinforced Concrete Pavement |
| (W) Expansion Joint As Per BP-2.2 Without Dowel Bars | (B) 10" Non-Reinforced Concrete Pavement |
| (L) Standard Longitudinal Joint As Per BP-2.1 | (C) 10" Granular Subbase |
| (S) Standard Longitudinal Joint As Per BP-2.1 Without Tie Bars | (D) Tied Longitudinal Joint |
| (C) Contraction Joint As Per BP-2.2 | (E) Asphalt Concrete Pavement, Depth Unknown |
| (Y) Butt Joint Between Existing Pavement and Proposed Pavement, A Dowelled Type Y Joint As Per BP-2.5 Shall Be Provided. Grouting and Drilling Requirements Shall Be Per Specification 255 and BP-2.5 Except The Requirement That The Drilling Device Shall Be Capable Of Drilling Three Holes At One Time Shall Be Waived. | (F) Aggregate Base, Depth Unknown |



TYPICAL MEDIAN CROSSOVER DETAIL
Applies: Sta. 5+00 and Sta. 124+00

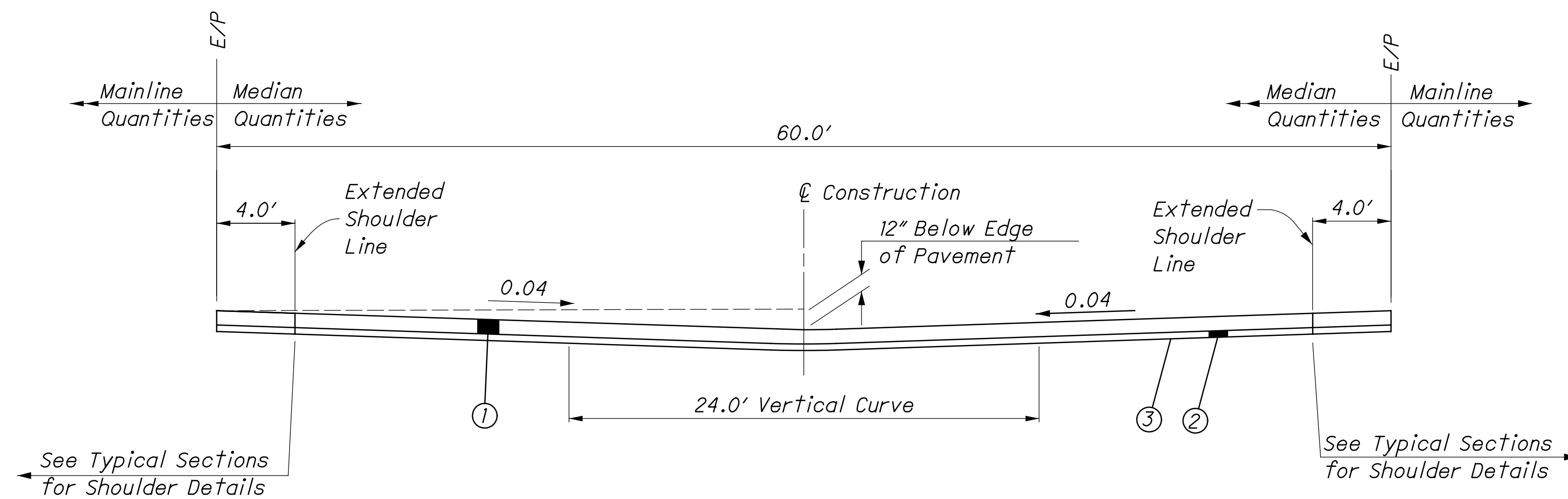
MEDIAN CROSSOVER PAVEMENT



MEDIAN CROSSOVER JOINT DETAIL

Note:

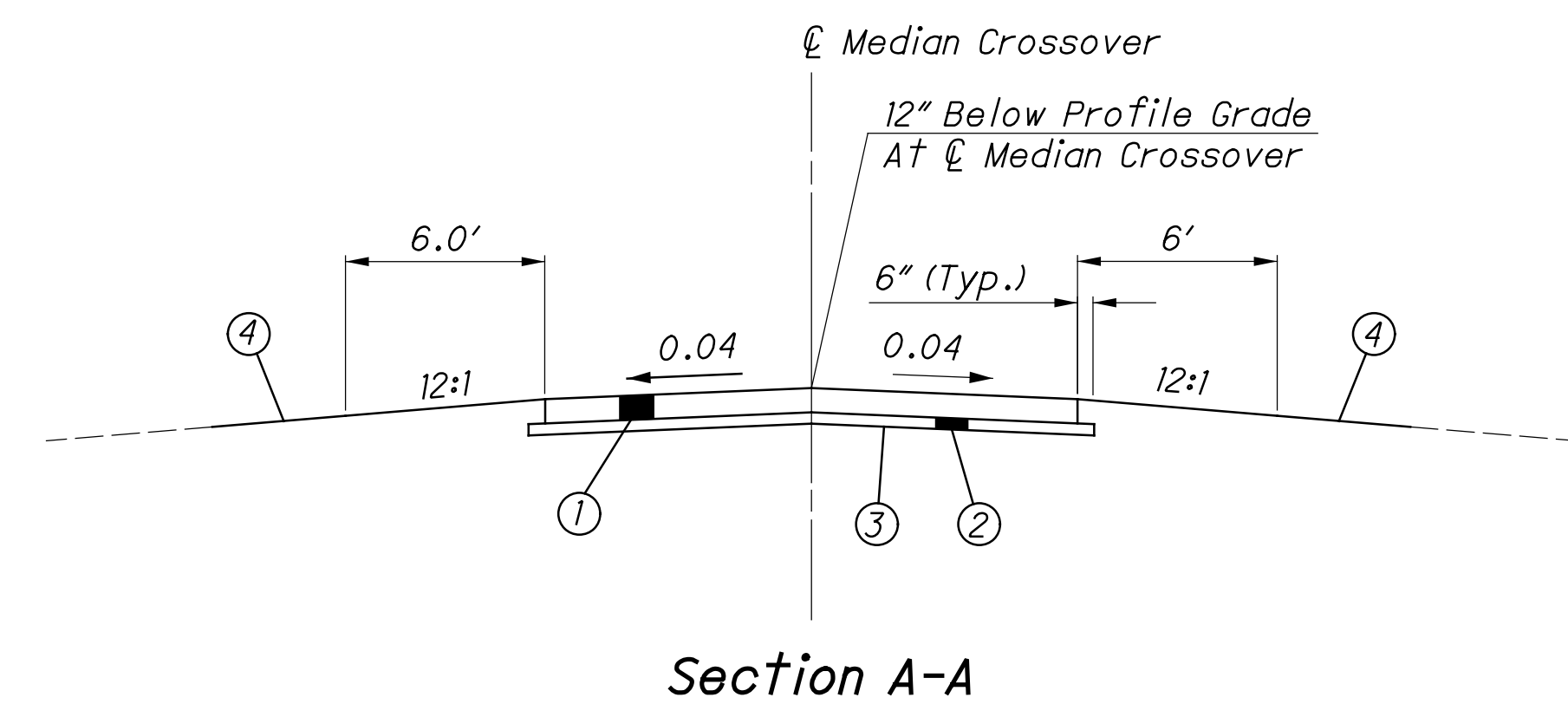
1. The Above is A Suggested Joint Diagram. The Contractor May Submit an Alternate Joint Diagram to the Engineer for Approval.
2. Align Joints in Median Crossover to form Continuous Joints with traverse Joints in the Mainline Pavement.



Section B-B

LEGEND

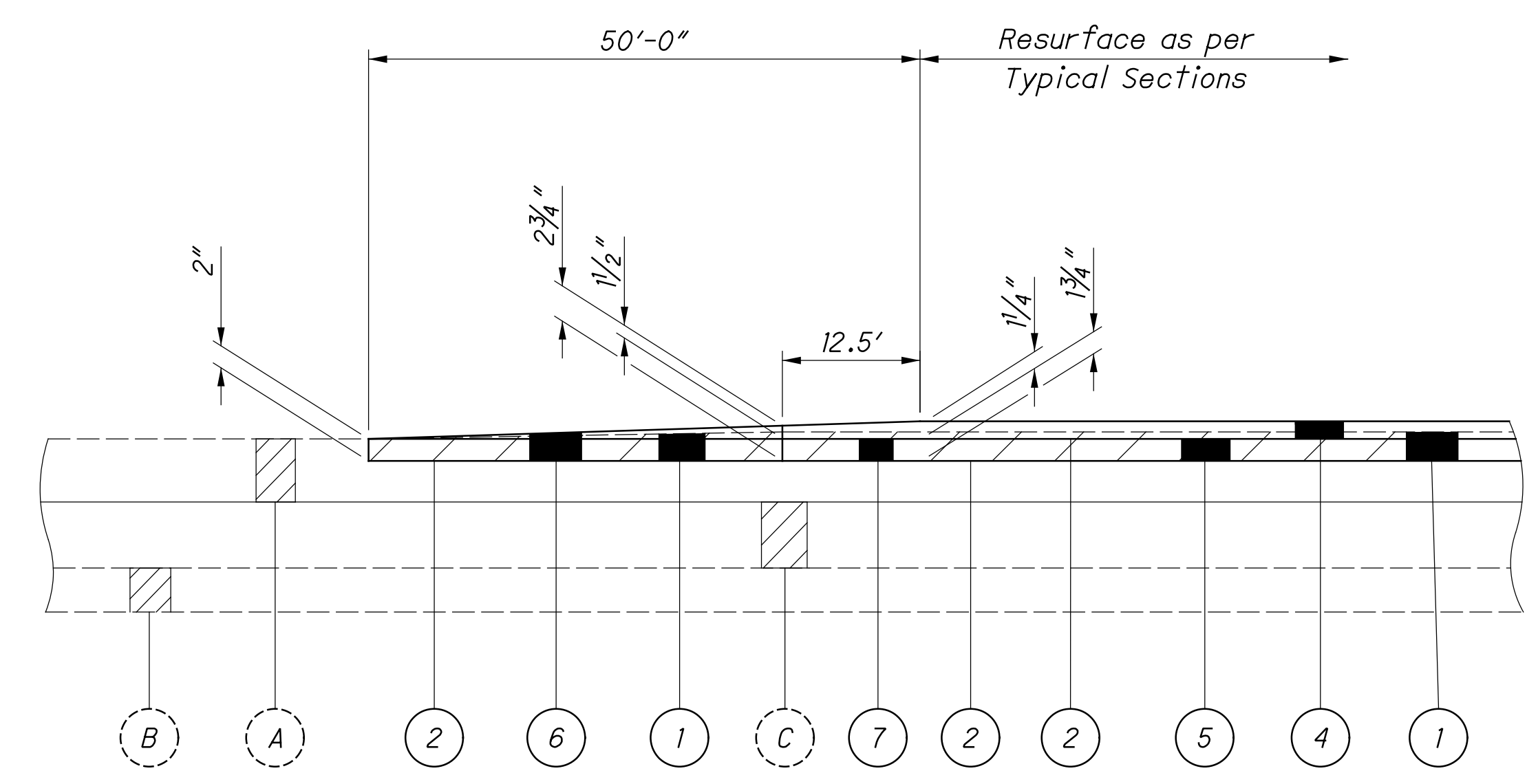
- | | |
|--|--|
| ① ITEM 452 - 9" Non-Reinforced Concrete Pavement, Class QC IP, As Per Plan | ⓐ Contraction Joint As Per BP-2.2 |
| ② ITEM 304 - 6" Aggregate Base | ⓓ Not Used |
| ③ ITEM 204 - Subgrade Compaction | ⓔ Expansion Joint (Without Dowels), As Per BP-2.2 |
| ④ ITEM 659 - Seeding And Mulching | ⓖ Standard Longitudinal Joint, As Per BP-2.1 without Tie Bar 3 |
| | ⓓ Longitudinal Joint, As Per BP-2.1 |



Section A-A

PROPOSED LEGEND

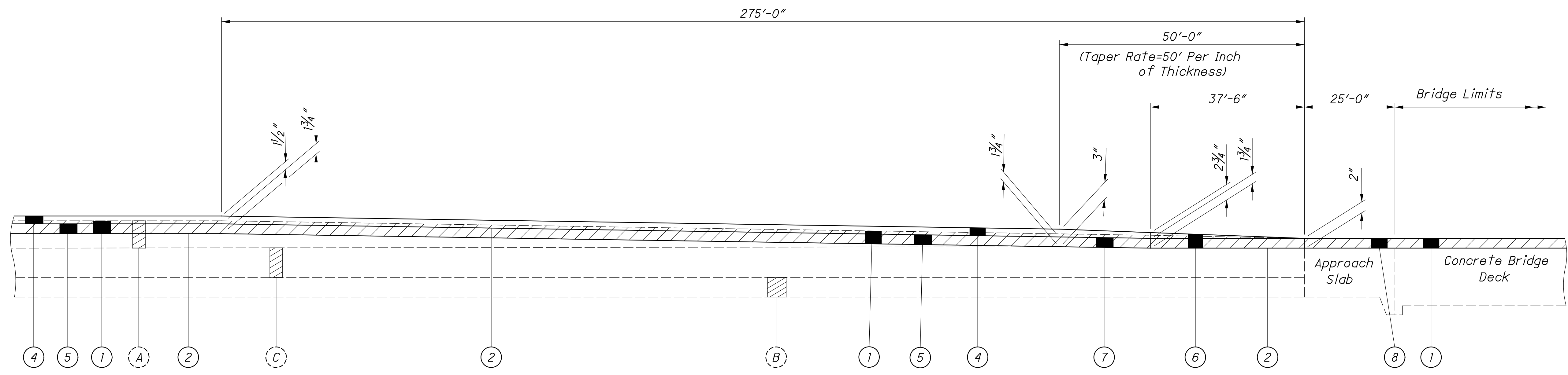
- ① ITEM 254 Pavement Planing, Asphalt Concrete (Depth As Shown)
- ② ITEM 407 Tack Coat
- ③ NOT USED
- ④ ITEM 441 1 1/4" Asphalt Concrete Surface Course, Type 1, (446), PG64-22
- ⑤ ITEM 441 1 3/4" Asphalt Concrete Intermediate Course, Type 2, (446)
- ⑥ ITEM 441 Var. Thickness Asphalt Concrete Surface Course, Type 1, (446), PG64-22
- ⑦ ITEM 441 Var. Thickness Asphalt Concrete Intermediate Course, Type 2, (446)
- ⑧ ITEM 848 1 3/4" Superplasticized Dense Concrete Overlay Using Hydrodemolition



EXISTING LEGEND

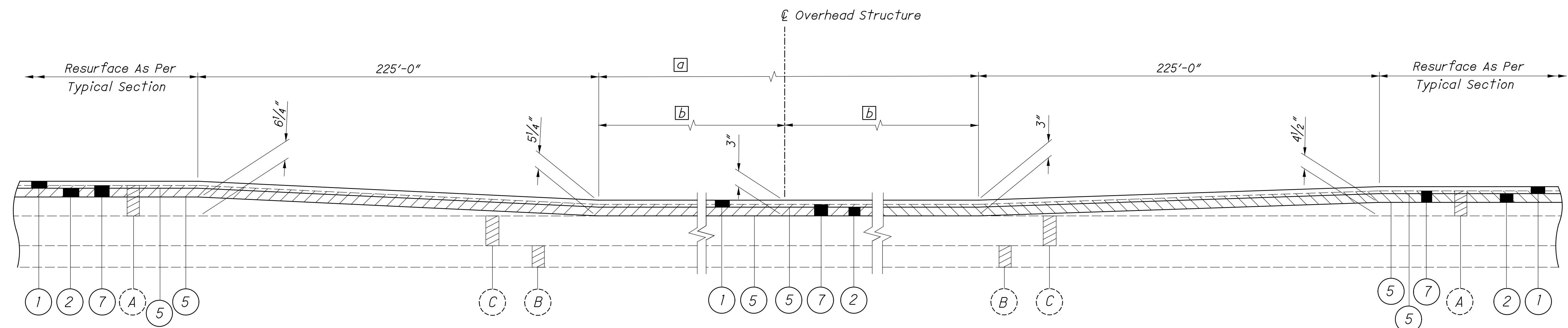
- Ⓐ ± 6 1/2" Asphalt Concrete
 - Ⓑ ± 6" Subbase
 - Ⓒ ± 9" Reinforced Portland Cement Concrete Pavement
- = Item 254 Pavement Planing, Asphalt Concrete

PAVEMENT TRANSITION AT BEGIN/END PAVEMENT



TRANSITION AT STRUCTURES

DETAIL APPLIES AT:
VAN-277-0585 Lt. & Rt. (North & South End)
VAN-277-1041 Lt. & Rt. (South Only)
VAN-277-1246 Lt. & Rt. (North Only)

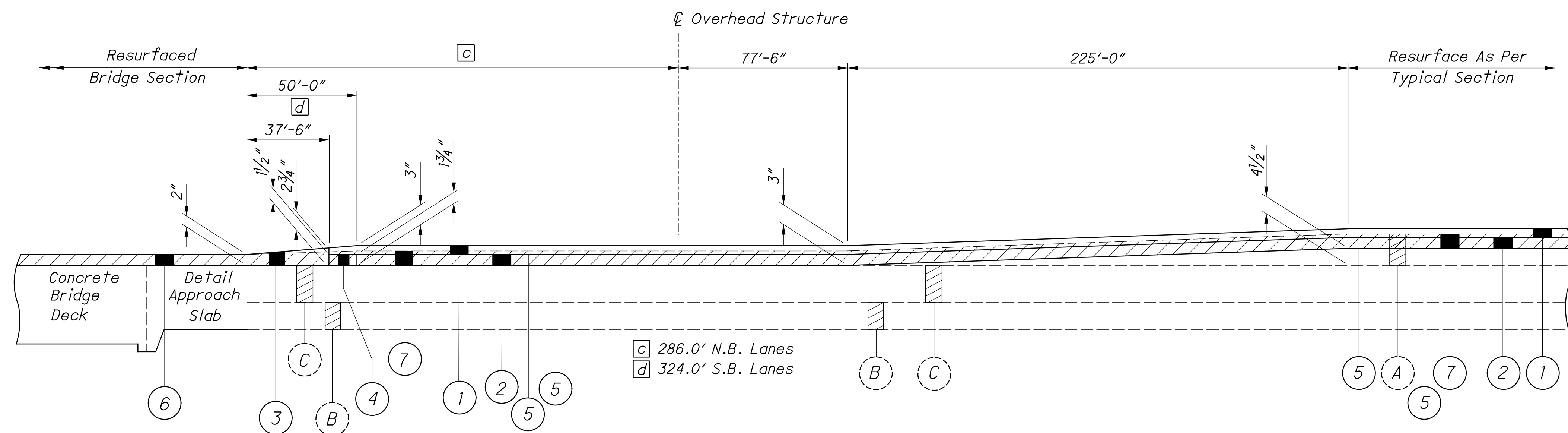


PAVEMENT TRANSITION AT OVERHEAD BRIDGE

DETAIL APPLIES AT STRUCTURES:

- VAN-277-0378 VAN-277-0776
- VAN-277-1234 VAN-277-0911
- VAN-277-1303 VAN-277-0493
- VAN-277-0633

STRUCTURE	a	b
VAN-277-0378	144.0'	72.0'
VAN-277-0493	160.0'	80.0'
VAN-277-0633	166.0'	83.0'
VAN-277-0776	165.0'	82.5'
VAN-277-0911	179.0'	89.5'
VAN-277-1234	155.0'	77.5'
VAN-277-1383	156.0'	78.0'



PAVEMENT TRANSITION AT OVERHEAD AND MAINLINE BRIDGES

DETAIL APPLIES AT STRUCTURES:

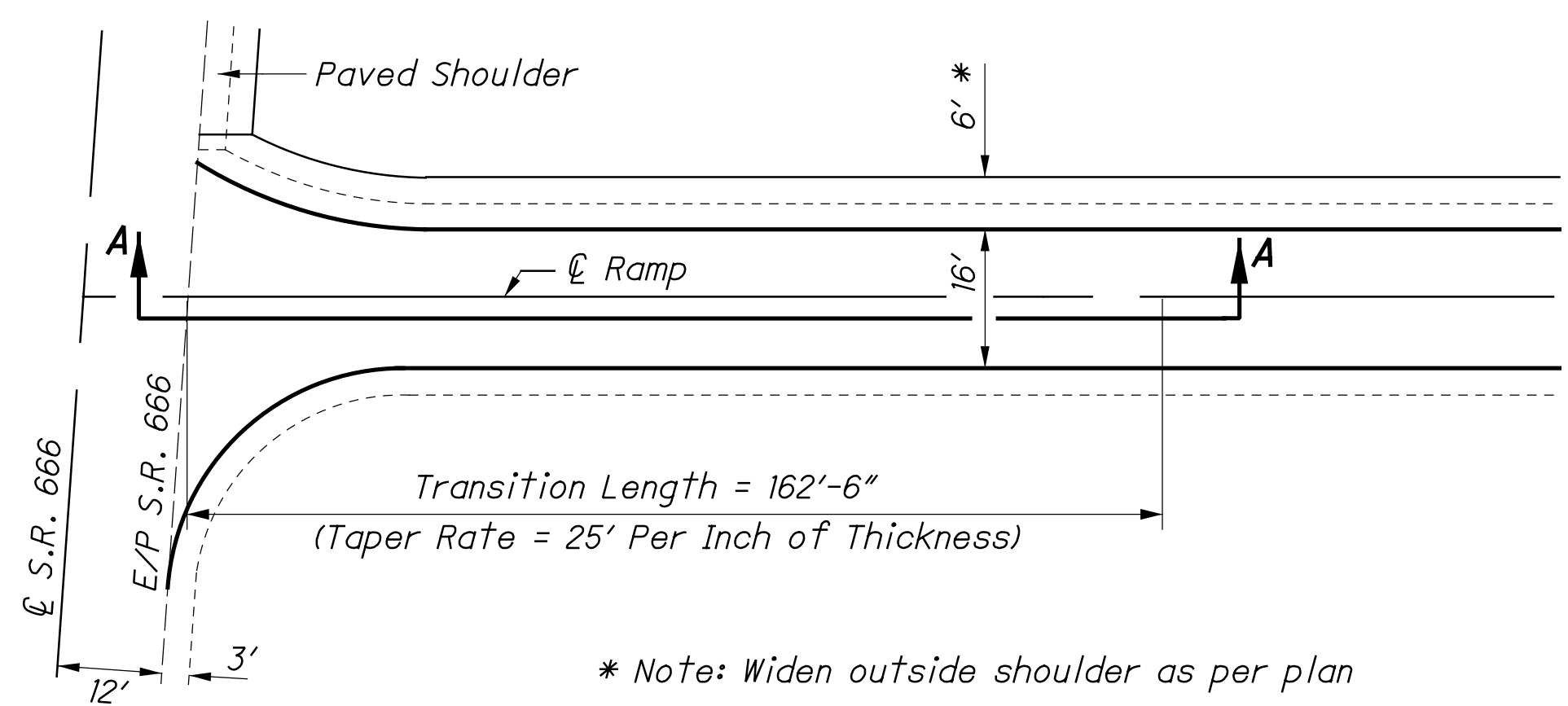
- VAN-277-1047
- VAN-277-1041 (North Side Only)

PROPOSED LEGEND

- ① ITEM 441 1 1/4" Asphalt Concrete Surface Course, Type 1, (446), PG 64-22
- ② ITEM 441 1 3/4" Asphalt Concrete Intermediate Course, Type 2, (446)
- ③ ITEM 441 Var. Thickness Asphalt Concrete Surface Course, Type 1, (446), PG 64-22
- ④ ITEM 441 Var. Thickness Asphalt Concrete Intermediate Course, Type 2, (446)
- ⑤ ITEM 407 Tack Coat
- ⑥ ITEM 848 Micro Silica Modified Concrete Overlay using Hydrodemolition (Thickness 1 1/4" Nominal)
- ⑦ ITEM 254 Pavement Planing, Asphalt Concrete (Depth = 2")

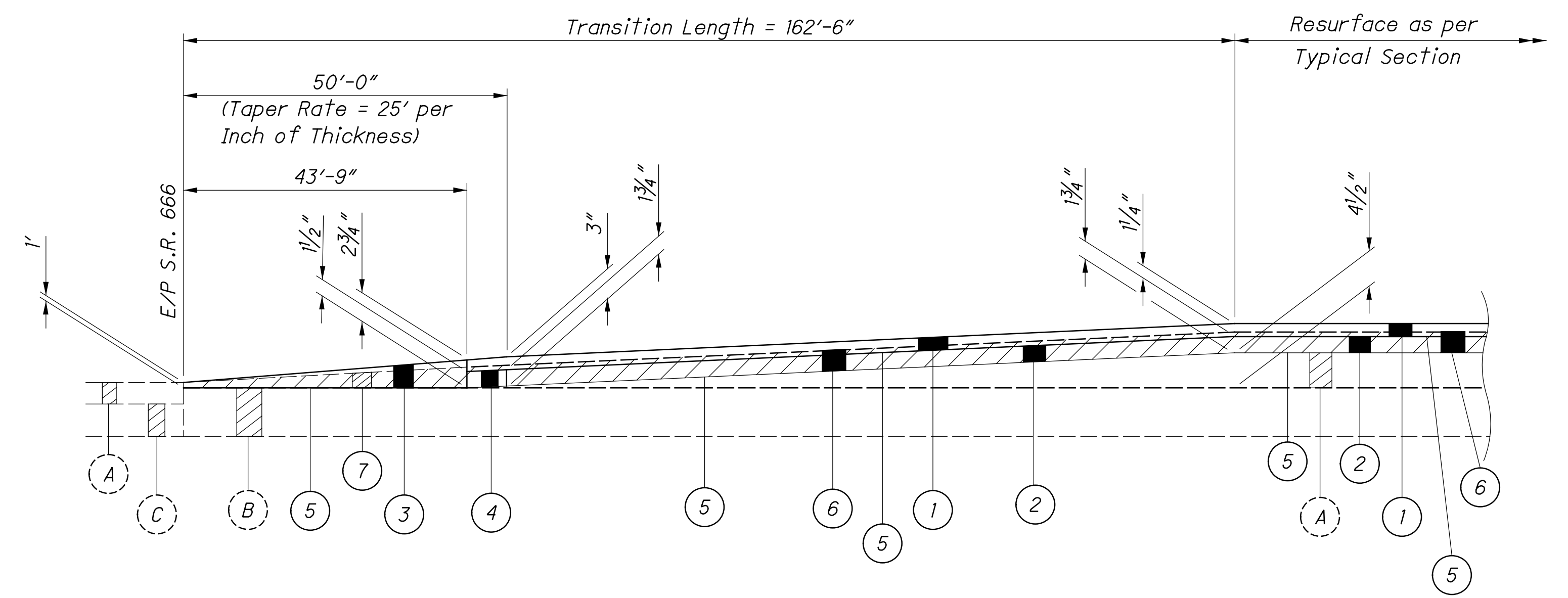
EXISTING LEGEND

- Ⓐ ±6 1/2" Asphalt Concrete
- Ⓑ ±6" Subbase
- Ⓒ ±9" Reinforced Portland Cement Concrete Pavement
- ▨ ITEM 254 - Pavement Planing, Asphalt Concrete



* Note: Widen outside shoulder as per plan

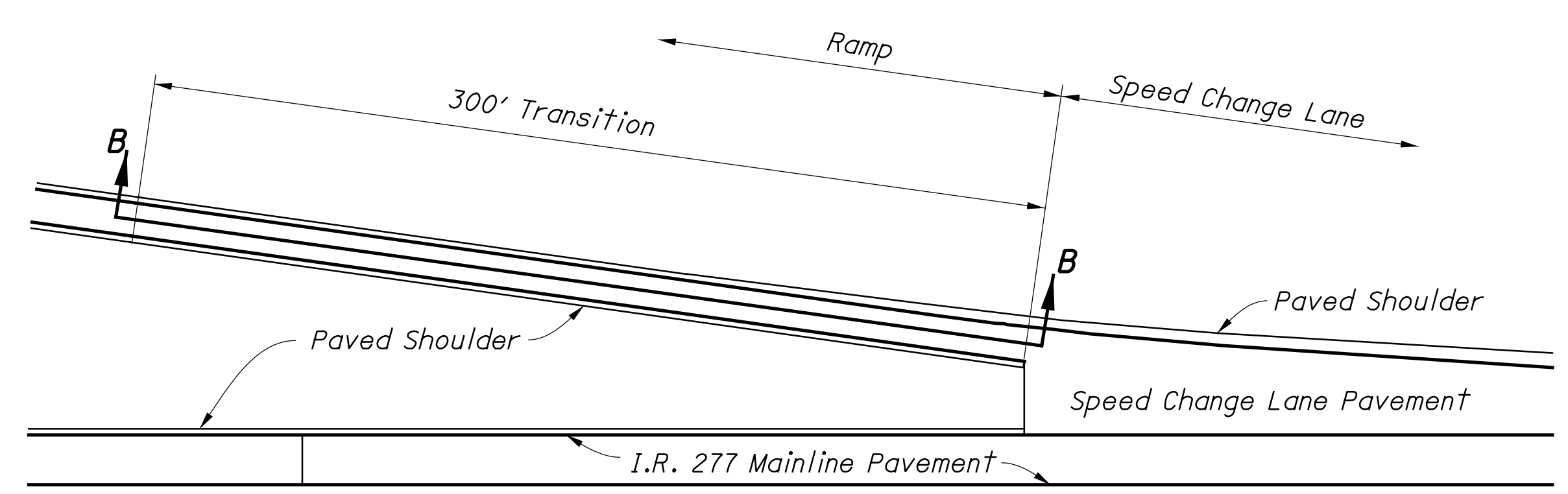
PLAN VIEW



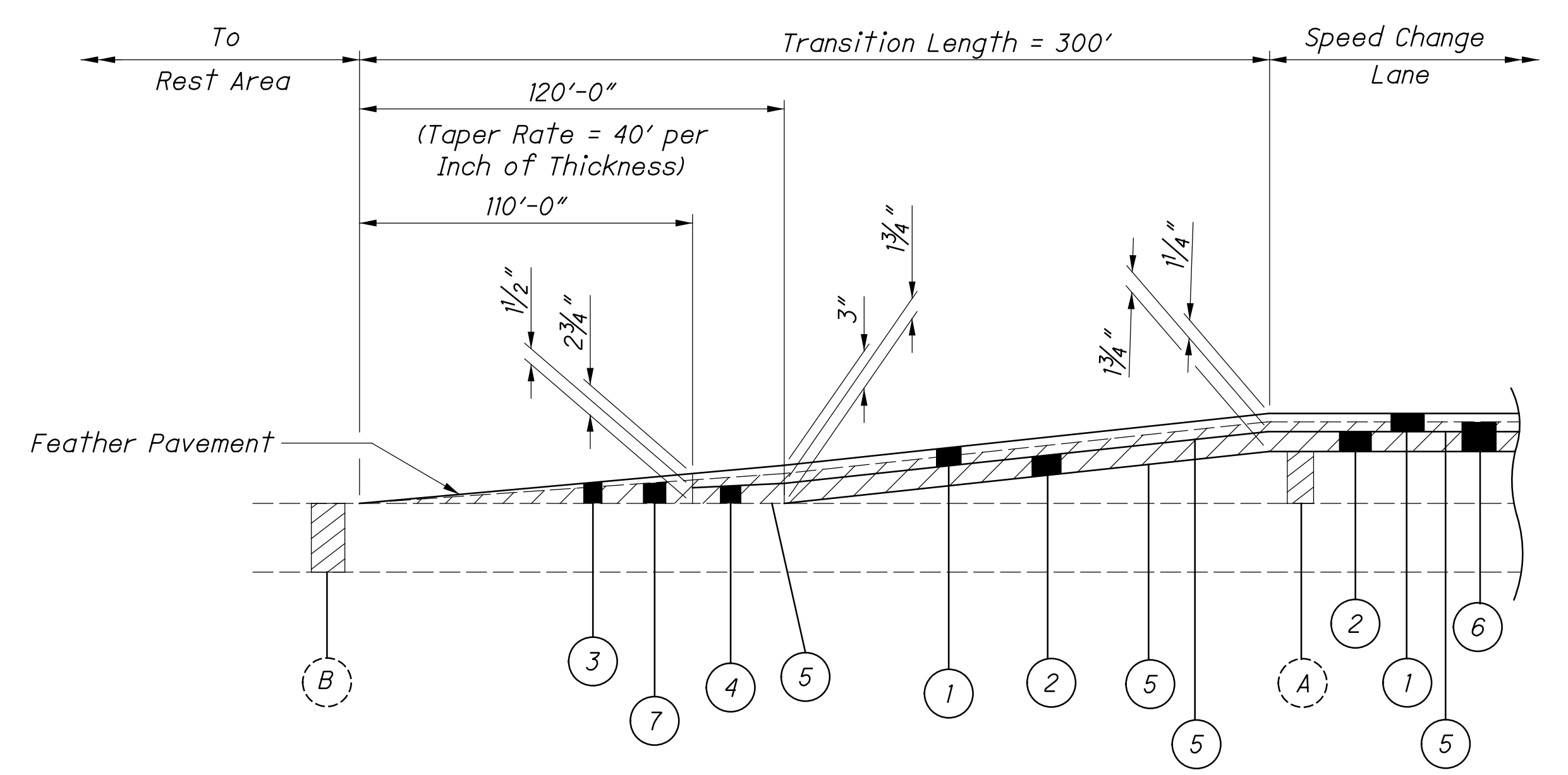
SECTION A-A

TRANSITION AT RAMP/CROSSROAD INTERSECTION

DETAIL APPLIES AT:
S.R. 666 Interchange



PLAN VIEW



SECTION B-B

TRANSITION AT REST AREA ENTRANCE/EXIT RAMP DETAIL

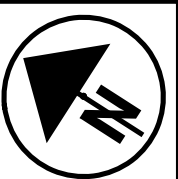
PROPOSED LEGEND

- | | |
|--|--|
| ① ITEM 441 1 1/4" Asphalt Concrete Surface Course, Type 1, (446), PG 64-22 | ⑤ ITEM 407 Tack Coat |
| ② ITEM 441 1 3/4" Asphalt Concrete Intermediate Course, Type 2, (446) | ⑥ ITEM 254 Pavement Planing, Asphalt Concrete (Depth = 2") |
| ③ ITEM 441 Var. Thickness Asphalt Concrete Surface Course, Type 1, (446), PG 64-22 | ⑦ ITEM 254 Pavement Planing, Asphalt Concrete (Var. Thickness) |
| ④ ITEM 441 Var. Thickness Asphalt Concrete Intermediate Course, Type 2, (446) | |

ITEM 254 Pavement Planing, Asphalt Concrete

EXISTING LEGEND

- Ⓐ ±6 1/2" Asphalt Concrete
- Ⓑ ±9" Reinforced Portland Cement Concrete Pavement
- Ⓒ ±6" Aggregate Base



CALCULATED
CHG
CHECKED
LJS

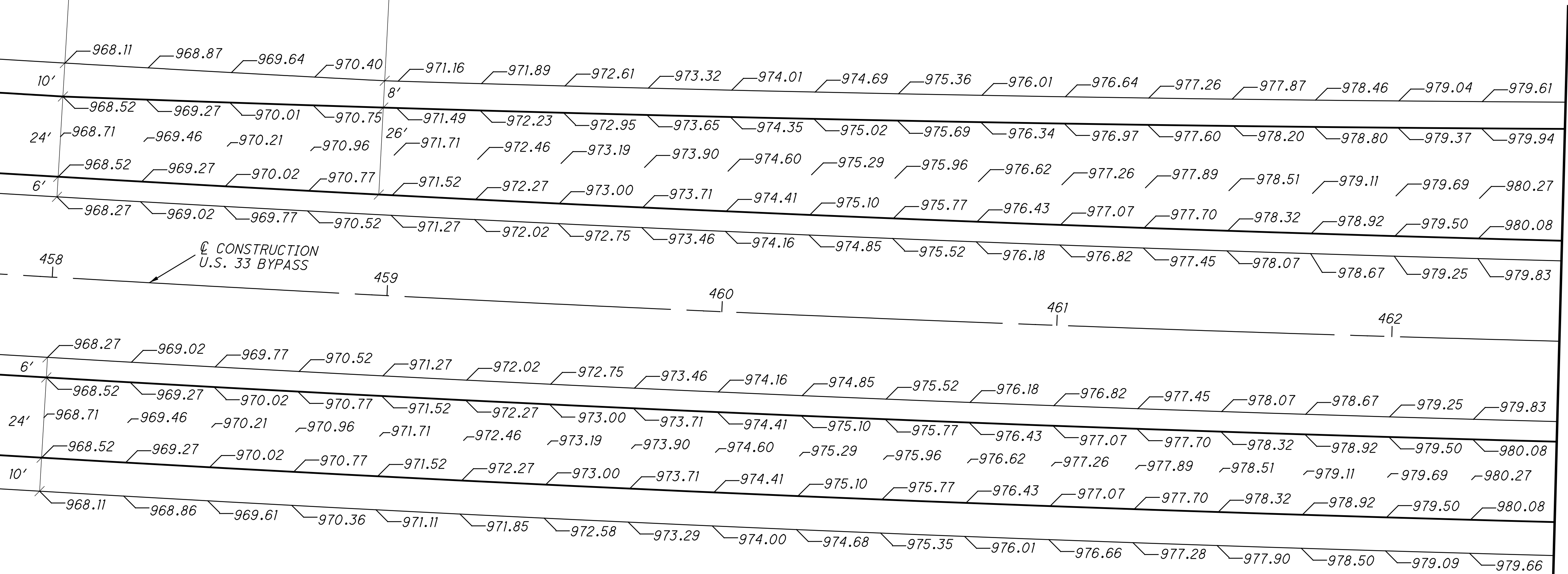
**WEST RAMP TERMINAL DETAILS
STA. 458+00 TO STA. 462+50**

FAI-33-13.25

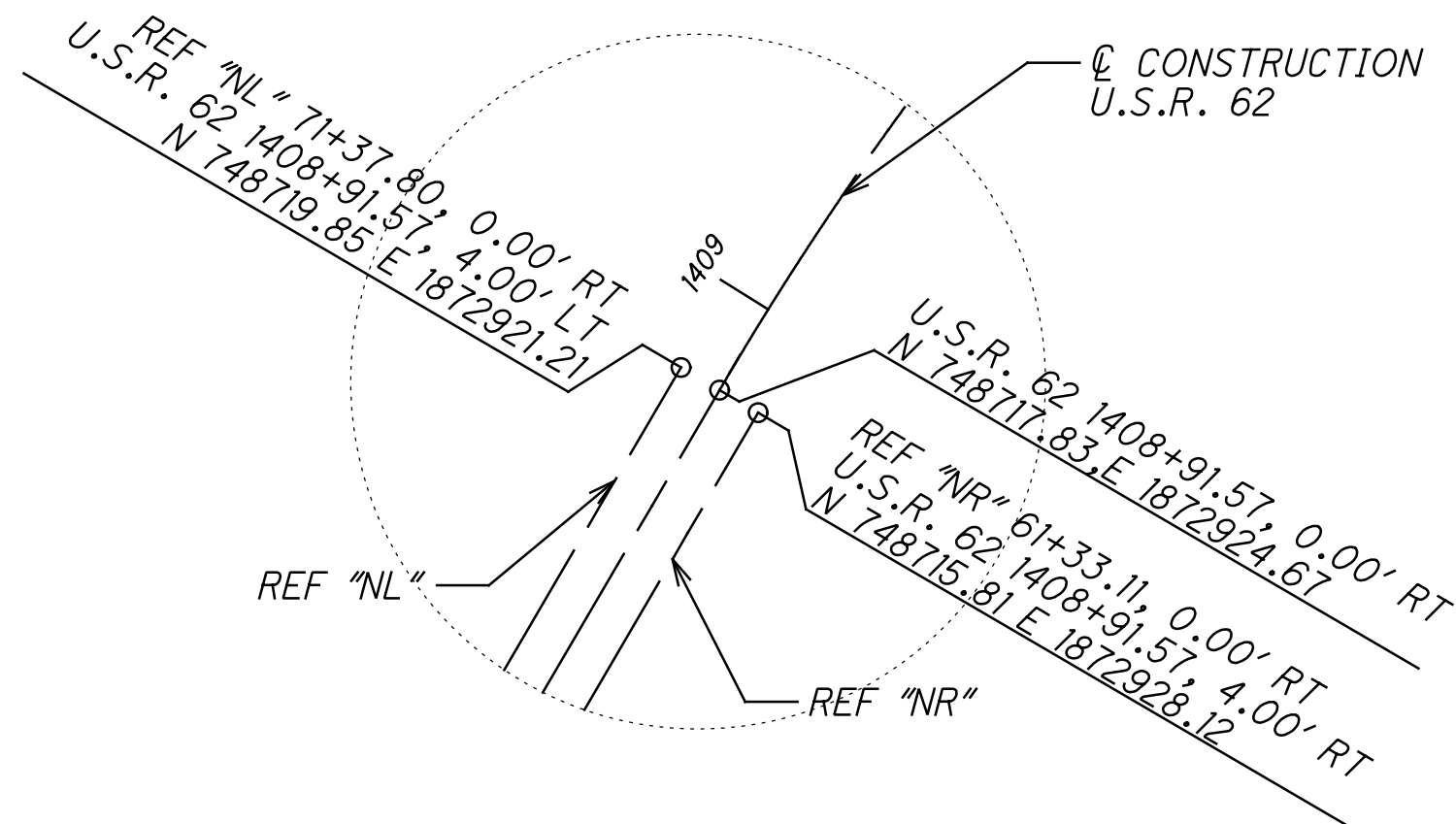
pw:\ohiodot-pw.bentley.com\ohiodot-pw-02\Documents\03 Standards\Sample Plans\81\SP1311\SP1311-13_2011-04.dgn Sheet 2/9/2022 3:40:15 PM tpetros

BEGIN SHOULDER & PAVEMENT TAPER WESTBOUND LT. STA. 458+00

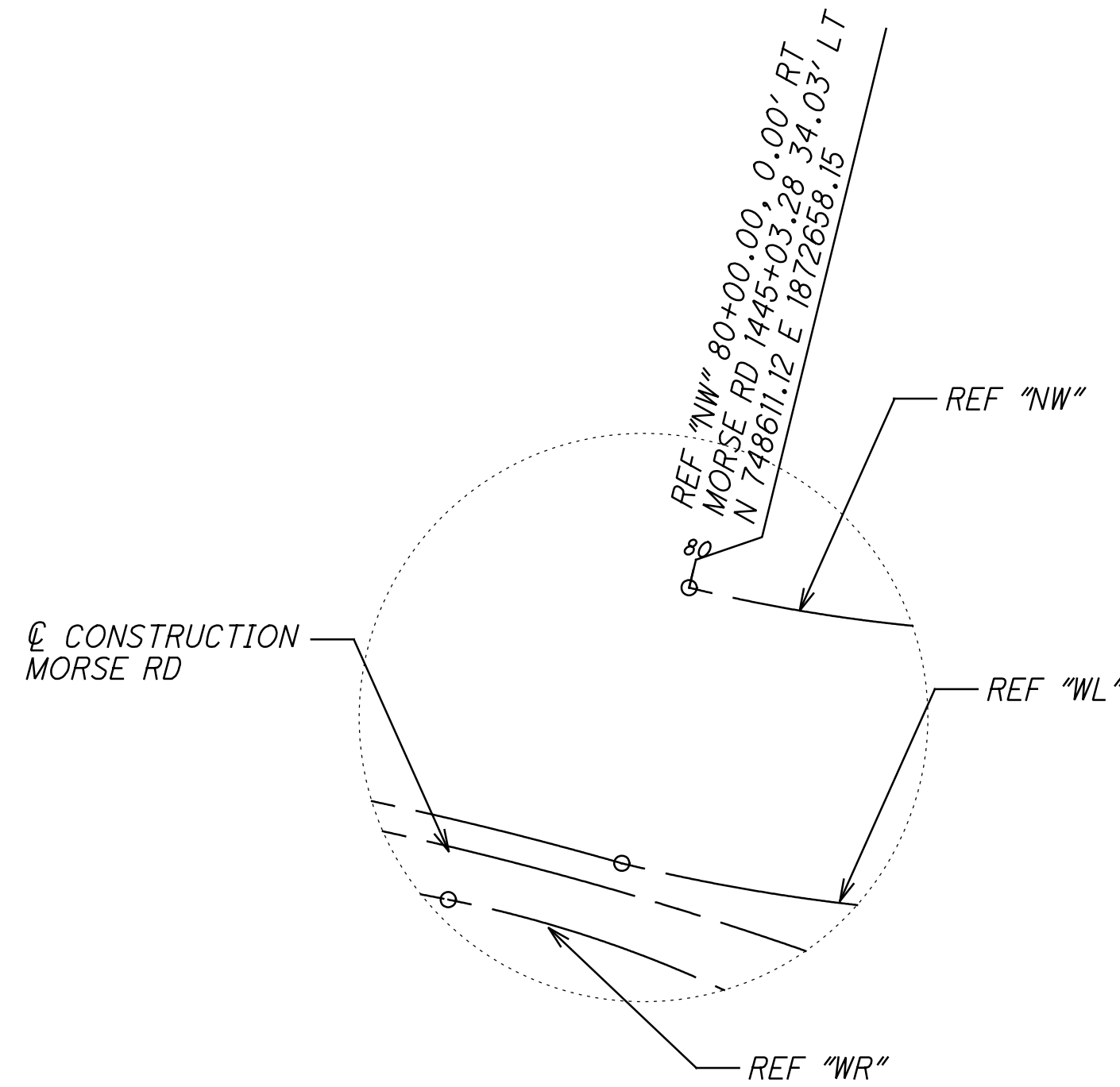
END SHOULDER TAPER WESTBOUND LT. STA. 458+96



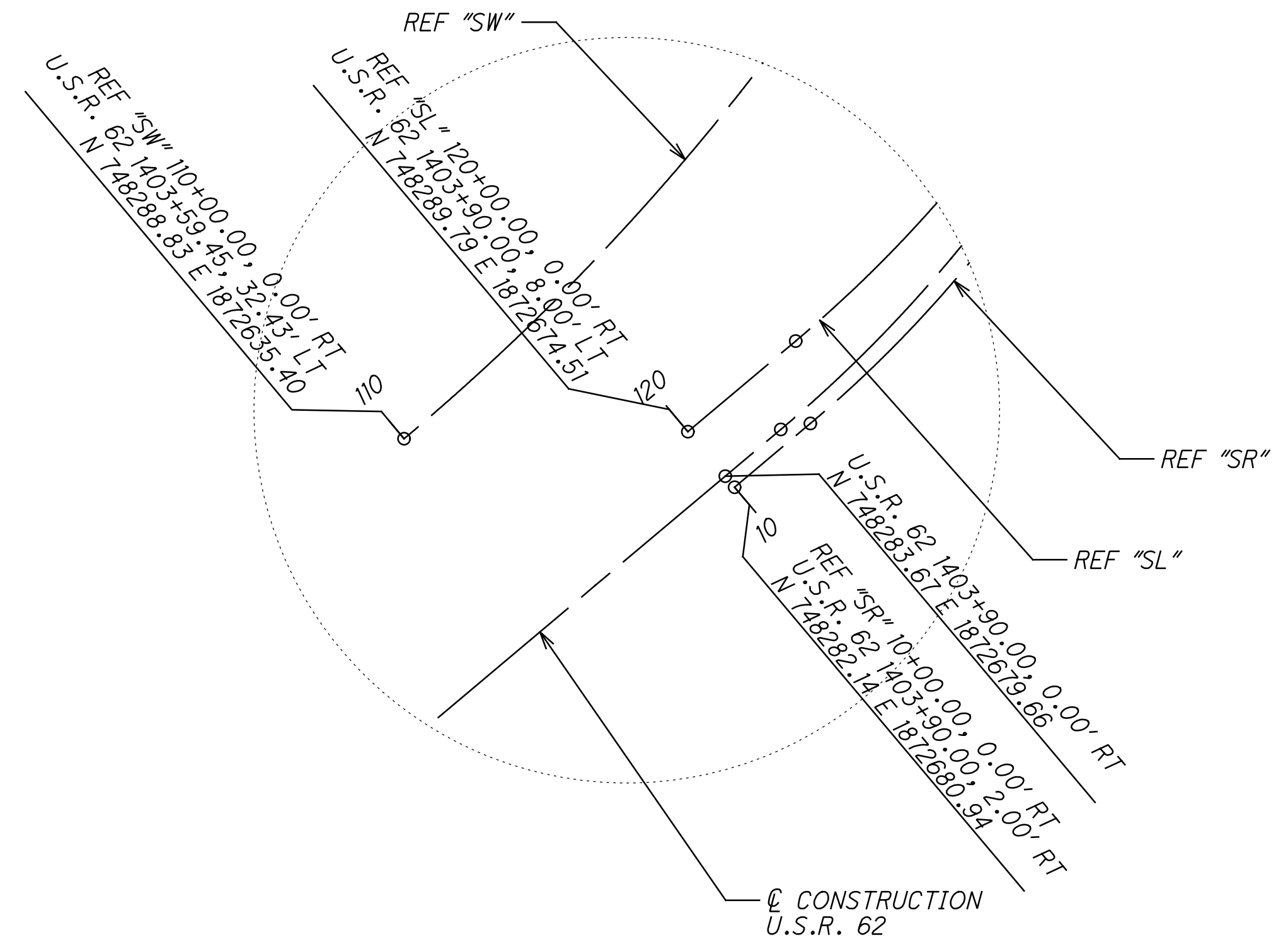
NOTE: ELEVATIONS SHOWN AT 25' INTERVALS



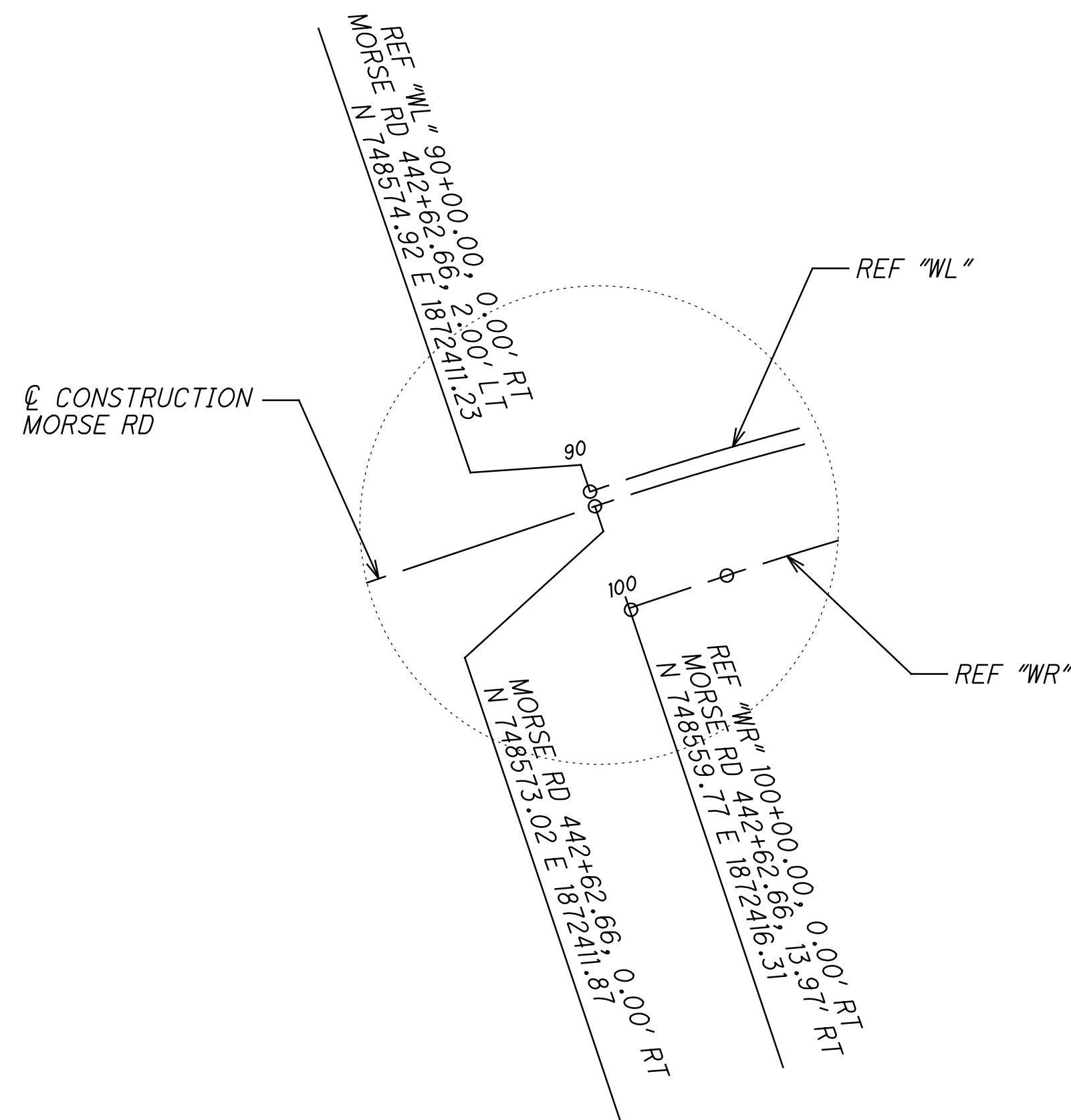
DETAIL "N"
NOT TO SCALE



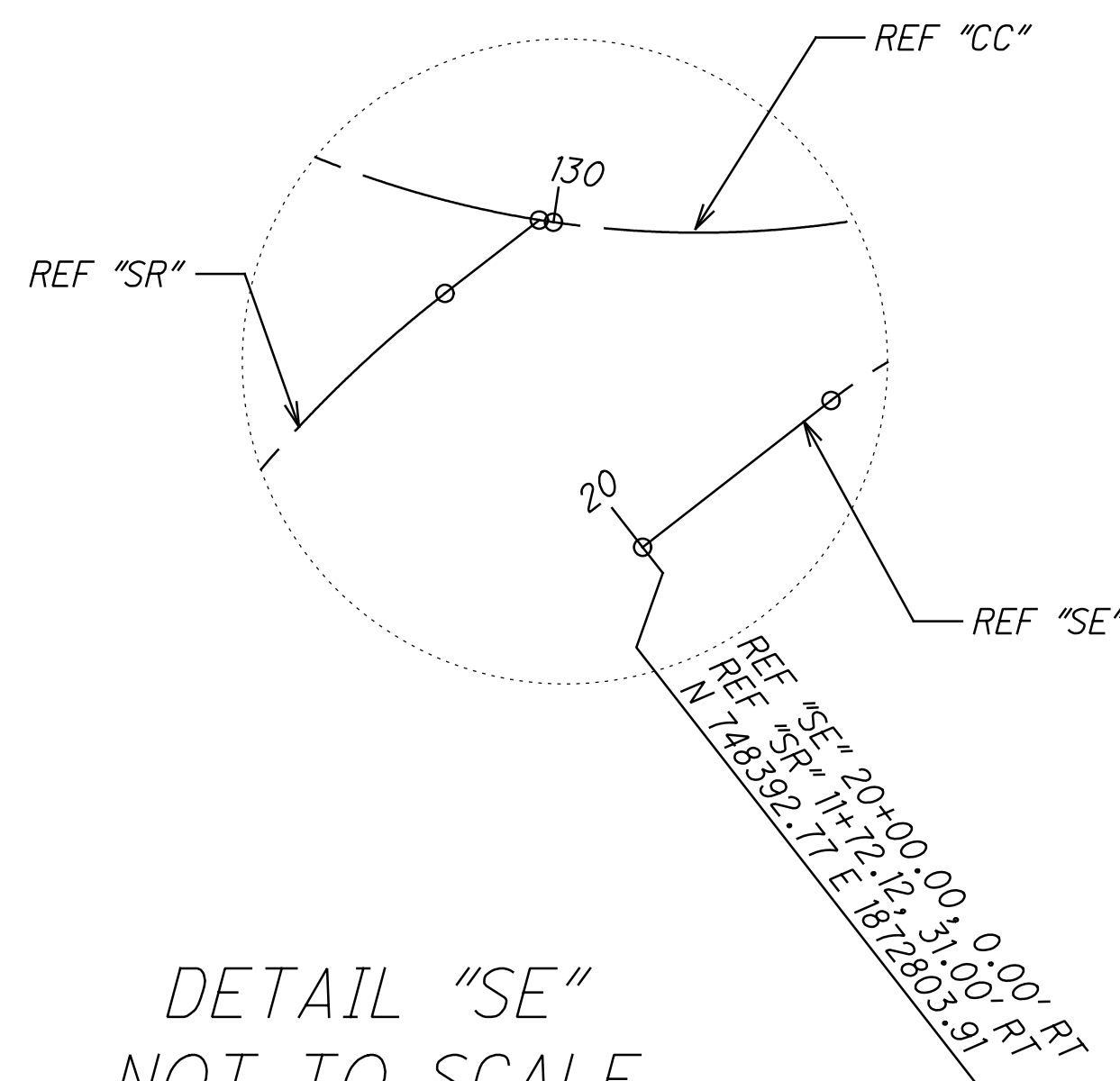
DETAIL "NW"
NOT TO SCALE



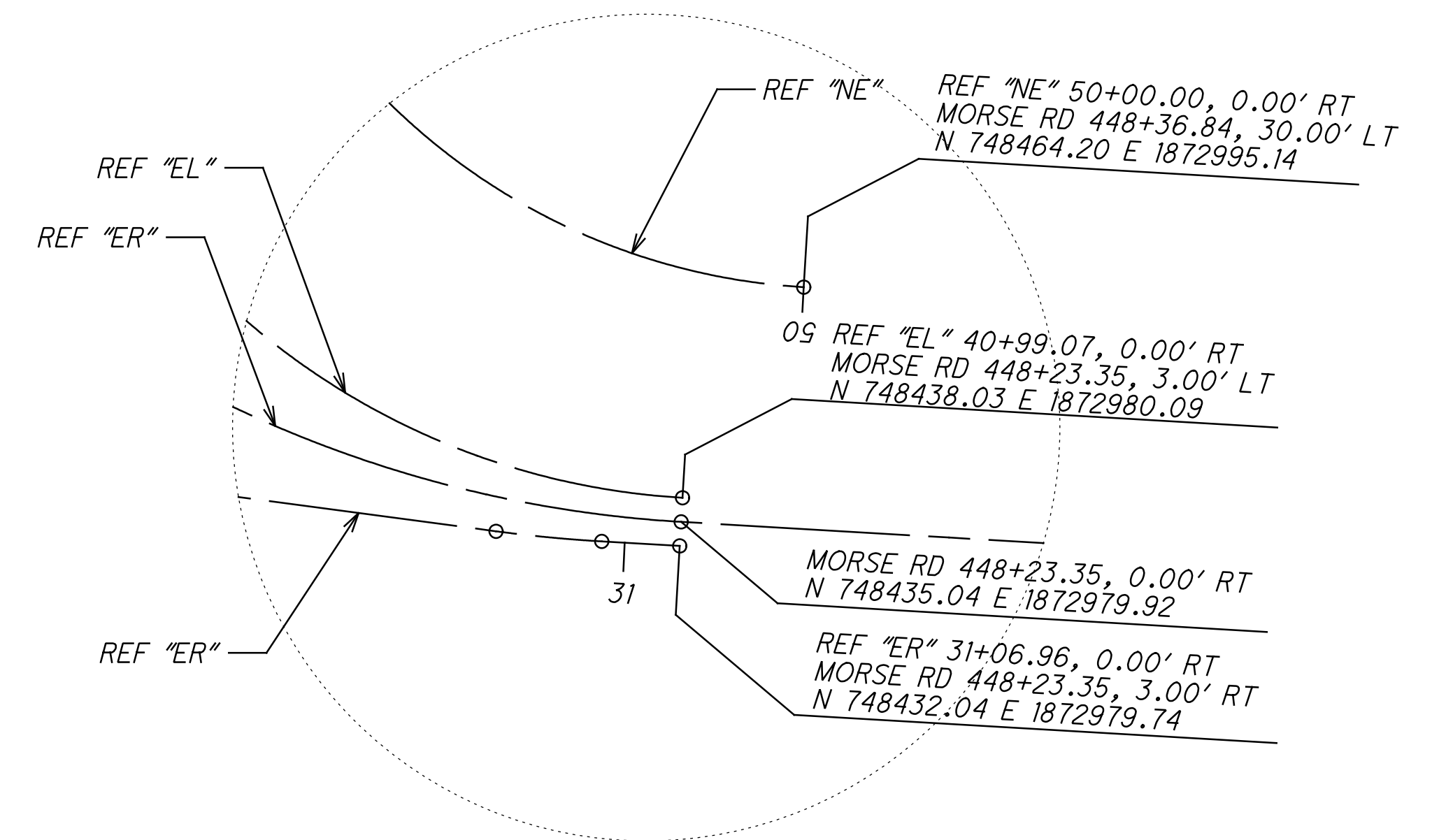
DETAIL "S"
NOT TO SCALE



DETAIL "W"
NOT TO SCALE

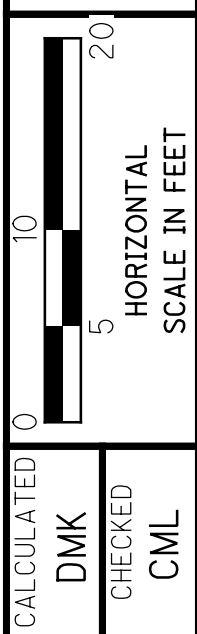
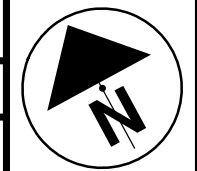


DETAIL "SE"
NOT TO SCALE

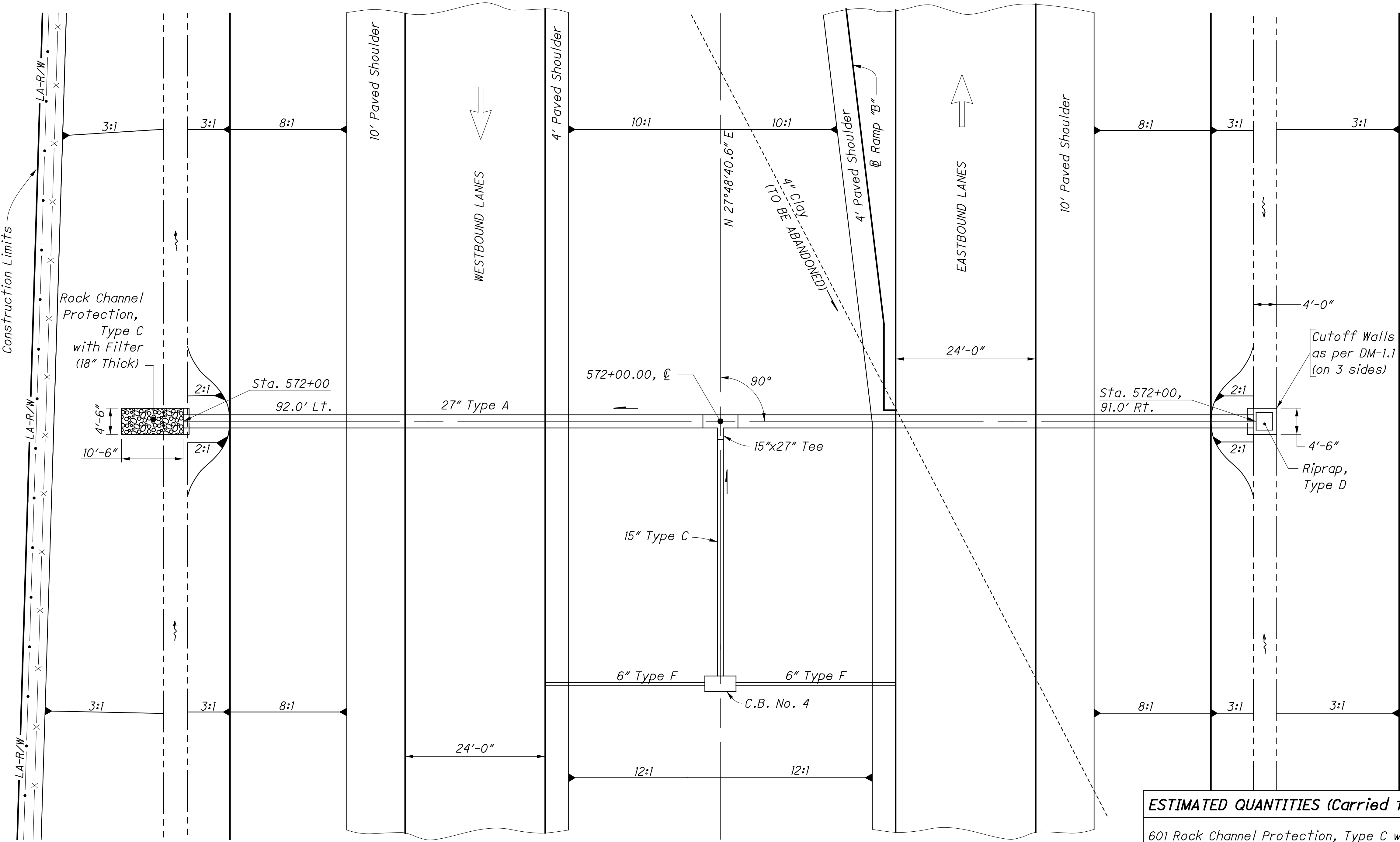


DETAIL "E"
NOT TO SCALE

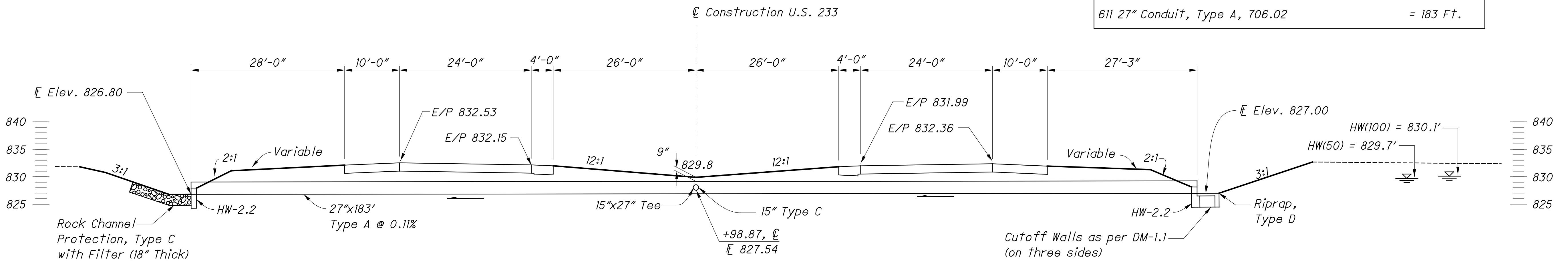
p:\ohiodot-pw\ohiodot-pw-02\Documents\03_Standards\Sample_Plans\81\SP1311-14b_2006-10.dgn_Sheet 2/9/2022 3:40:31 PM tpetros



HYDRAULIC DESIGN DATA	
Drainage Area	= 28 Ac.
Q ₅₀	= 22 cfs
Q ₁₀₀	= 25 cfs
HW ₅₀	= 829.7'
HW ₁₀₀	= 830.1'
V ₅₀	= 5.6 fps
V ₁₀₀	= 6.1 fps
Ordinary High Water Mark	= 827.3'
Design Service Life	= 75 Yr.
pH	= 7.8
Abrasion Level: 4	
CFN	= 1234567

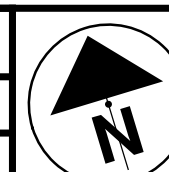


ESTIMATED QUANTITIES (Carried to General Summary)	
601 Rock Channel Protection, Type C with Filter	= 2.8 Cu.Yd.
601 Riprap, Type D	= 2.0 Sq.Yd.
602 Concrete Masonry	= 1.2 Cu.Yd.
611 27" Conduit, Type A, 706.02	= 183 Ft.



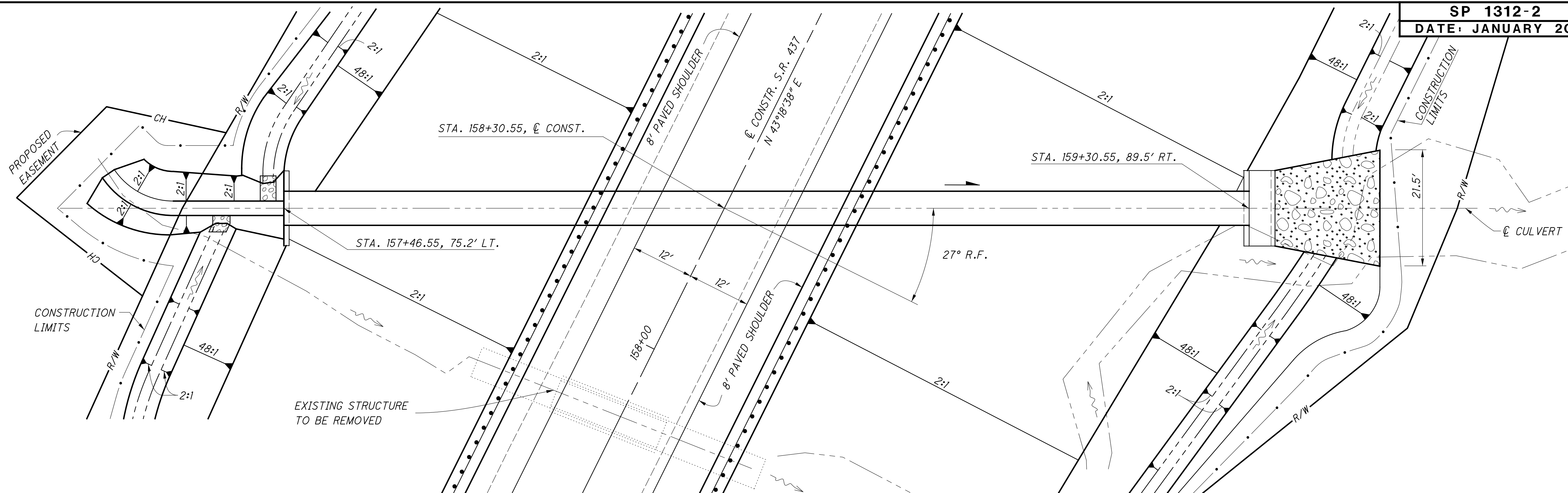
CULVERT DETAILS
U.S. 233 - STA. 572+00

ALL-233-22.69



0 5 10 15 20
HORIZONTAL SCALE IN FEET

CALCULATED JOH
CHECKED JDH



HYDRAULIC DATA

DRAINAGE AREA = 108 AC.
ORDINARY HIGH WATER MARK = 810.3 FT.
DESIGN SERVICE LIFE = 75 YEARS
ABRASION LEVEL = 3
pH = 7.5
CFN = 1234567
Q₂₅ = 188 cfs
Q₁₀₀ = 260 cfs
HW₂₅ = 815.6'
HW₁₀₀ = 817.6'
V₂₅ = 16.0 fps
V₁₀₀ = 18.5 fps

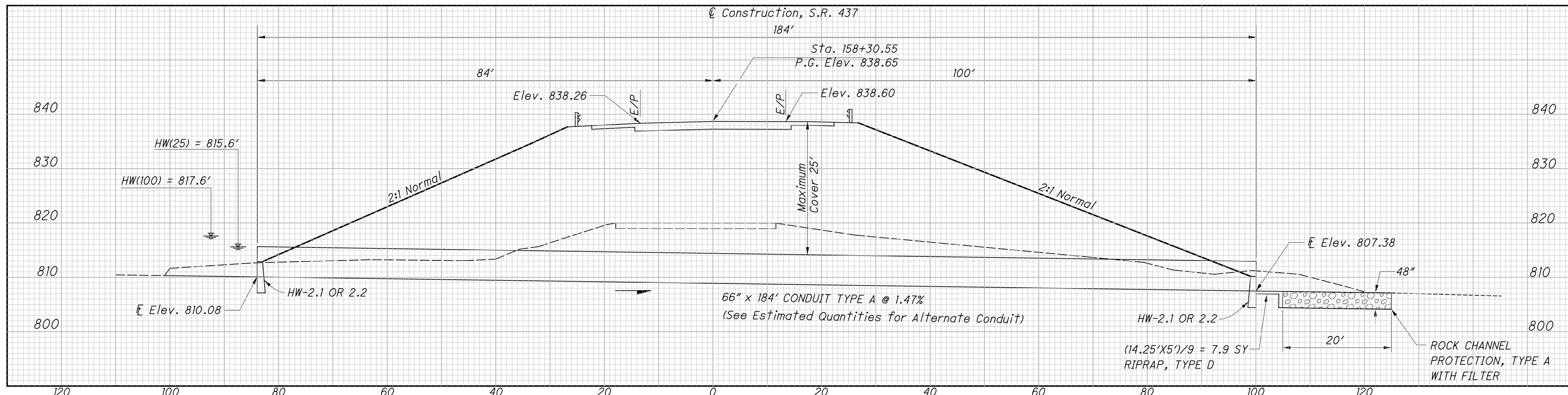
EXISTING STRUCTURE	
TYPE:	STONE ARCH W/72" CMP EXTENSIONS
SIZE:	6'X5'X58' ARCH
SKEW:	27° R.F.
ALIGNMENT:	TANGENT
DATE BUILT:	1908
CONDITION:	POOR
CFN:	7654321

PROPOSED STRUCTURE	
TYPE:	66" CONDUIT, TYPE A, 706.02 OR 78" 707.02 (0.064) ALUMINIZED, 707.03 (0.138) W/CIP, 707.07 (0.109) GALVANIZED, 707.21 W/CIP
SKEW:	27° R.F.
ALIGNMENT:	TANGENT
CFN:	1234567

QUANTITIES CARRIED TO DRAINAGE SUBSUMMARY, SHEET 37

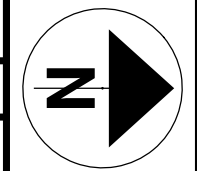
ESTIMATED QUANTITIES			
ITEM	QUANTITY	UNIT	DESCRIPTION
202	LS		STRUCTURE REMOVED
601	60	CY	ROCK CHANNEL PROTECTION, TYPE A WITH FILTER
601	8	SY	RIPRAP
602	5.9	CY	CONCRETE MASONRY
611	184	FT	66" CONDUIT, TYPE A, 706.02 OR 78" 707.02 (0.064) ALUMINIZED, 707.03 (0.138) W/CIP, 707.07 (0.109) GALVANIZED, 707.21 W/CIP
670	72	SY	DITCH EROSION PROTECTION MAT TYPE C

CIP = CONCRETE INVERT PAVING



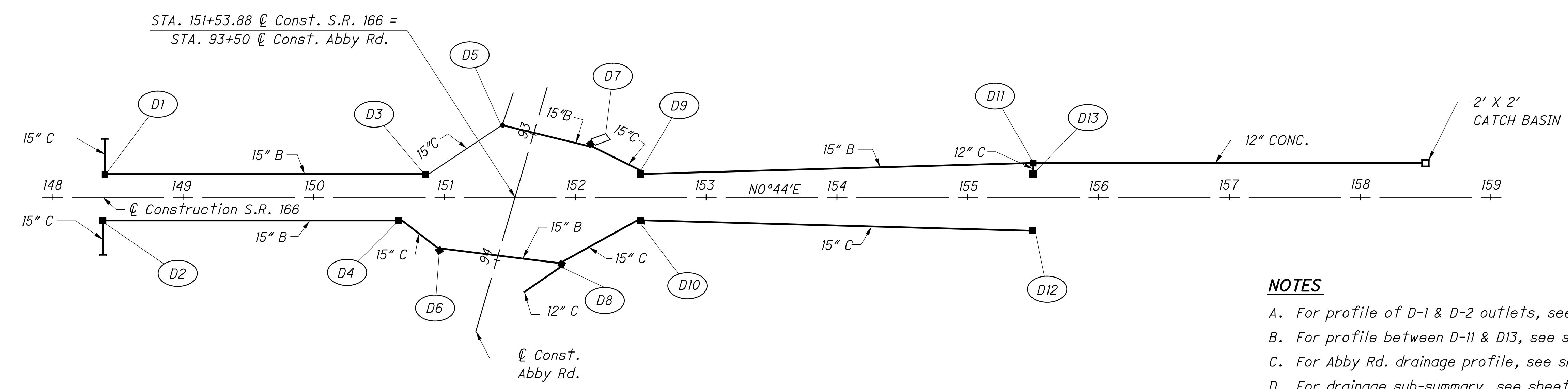
CULVERT DETAIL
STA. 158 + 30.00

PRE - 437 - 2.65

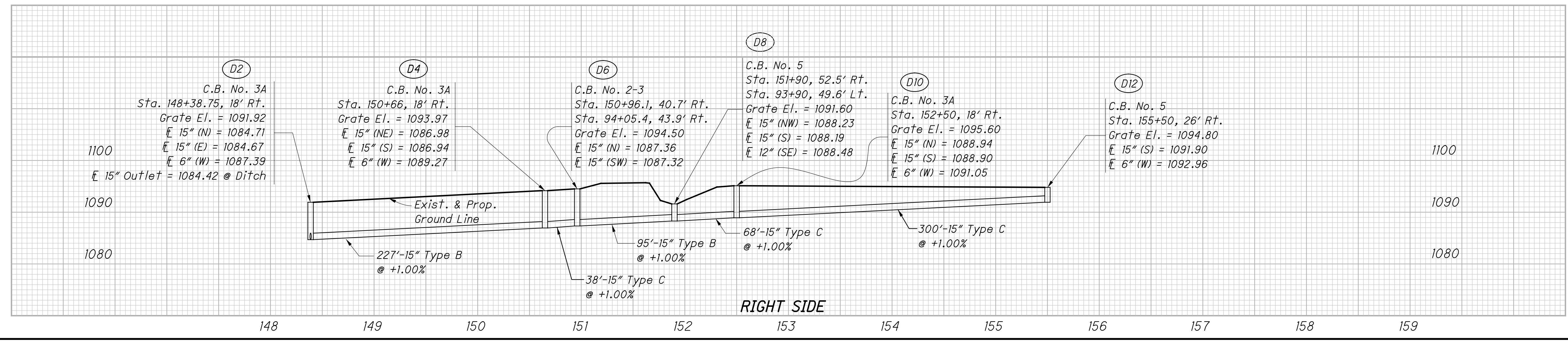
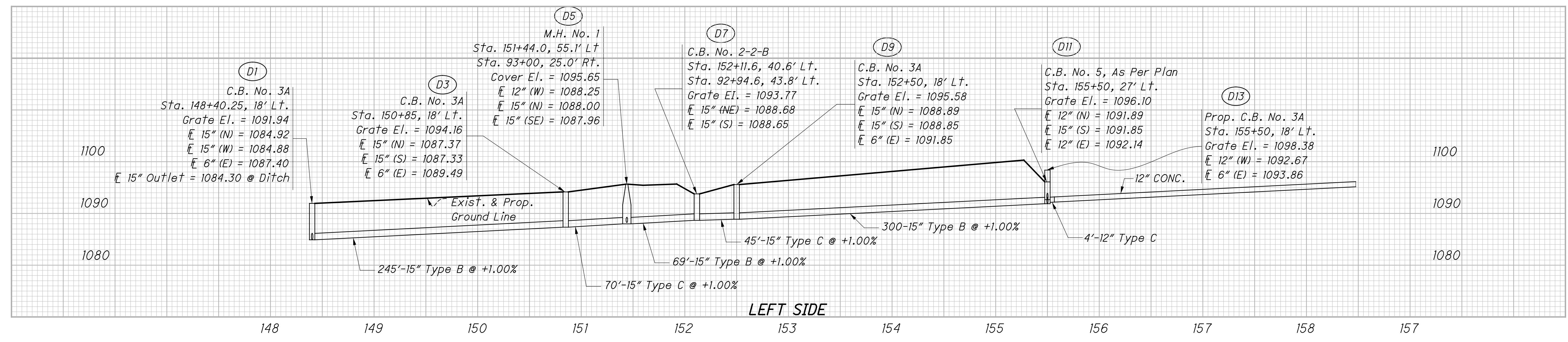


CALCULATED
MSQ
CHECKED
PDG

0 50 100
HORIZONTAL
SCALE IN FEET



- NOTES**
- A. For profile of D-1 & D-2 outlets, see sheet 20.
 - B. For profile between D-11 & D13, see sheet 26.
 - C. For Abby Rd. drainage profile, see sheet 41.
 - D. For drainage sub-summary, see sheets 14-16.
 - E. For S.R.166 plan & profile, see sheets 17-19.



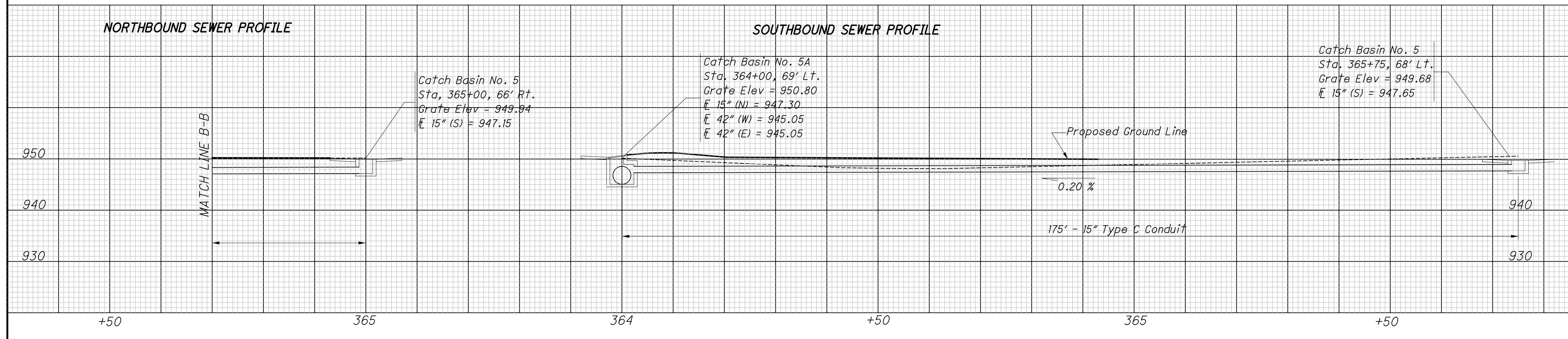
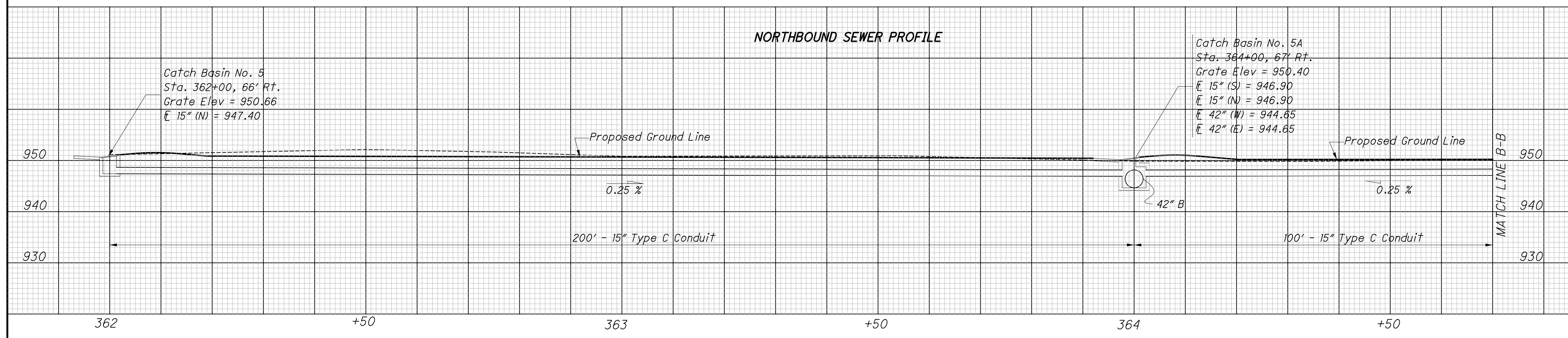
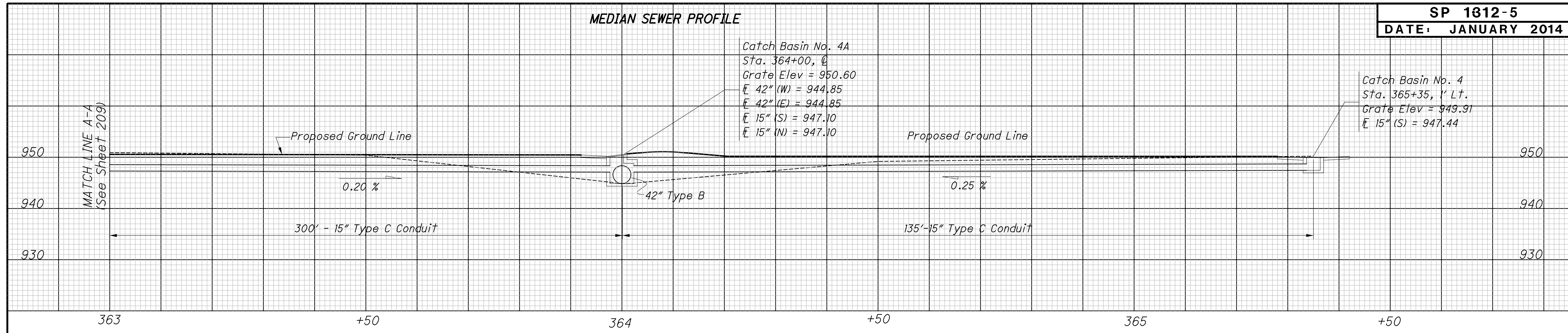
S.R. 166 DRAINAGE PROFILE

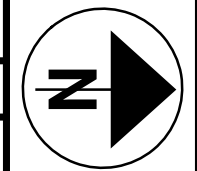
RIC-166-8.37

CALCULATED
MTC
CHECKED
CJM

LONGITUDINAL SEWER PROFILE

LUC-76-31.48





CALCULATED
KEW
CHECKED
JOH

CULVERT PLAN AND PROFILE
STA. 133+13.00

GUE-660-2.52

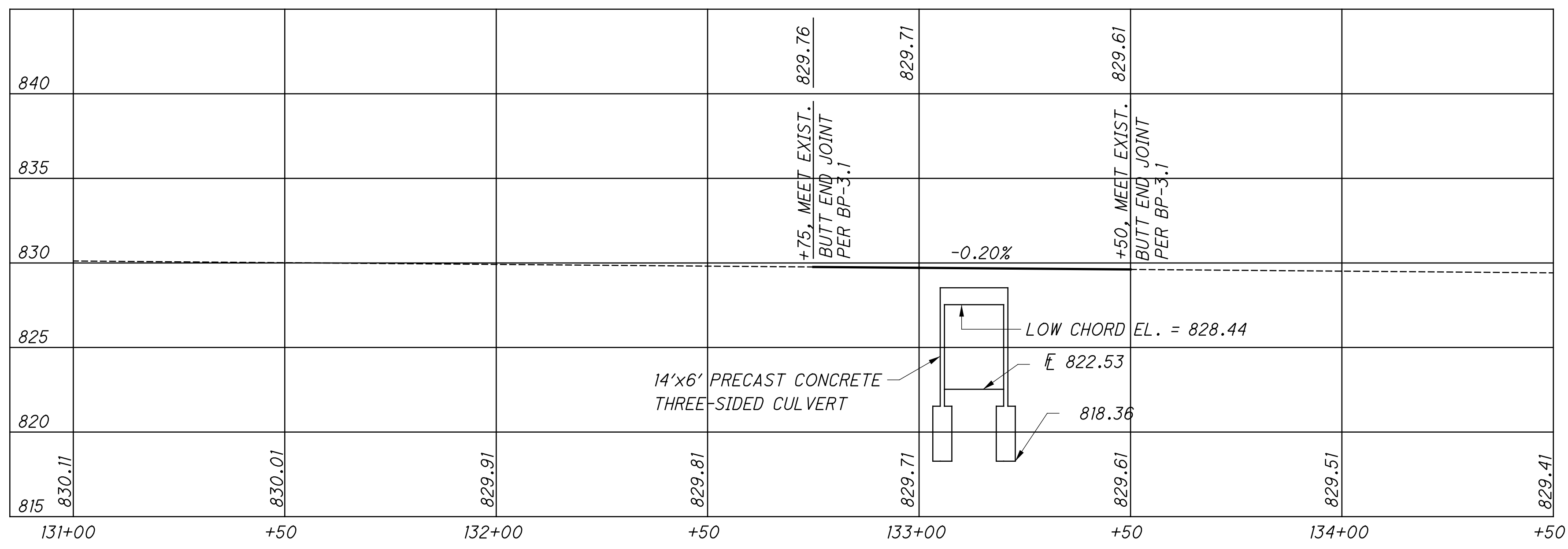
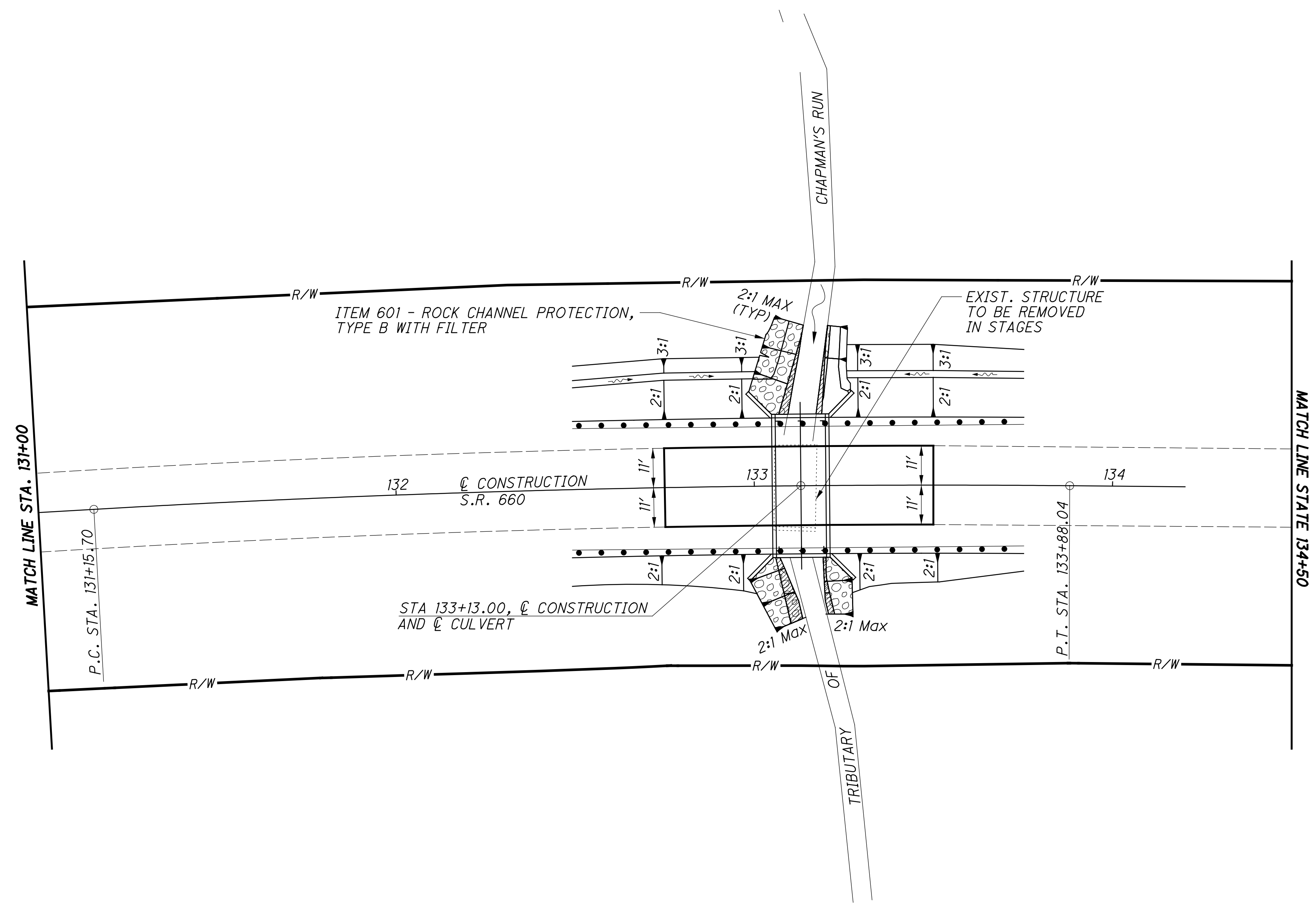
1 / 8

100
125

HYDRAULIC DATA	
DRAINAGE AREA: 0.79 SQ.MI.	
EXISTING WATERWAY OPENING: 60.0 SF	
PROPOSED WATERWAY OPENING: 70.0 SF	
ORDINARY HIGH WATER MARK: 822.9 FT	
SFN: 3006914	
DESIGN SERVICE LIFE: 75 YRS	
Abrasion Level: 3	
Q_{10} = 297 CFS	Q_{100} = 518 CFS
V_{10} = 6.9 FPS	V_{100} = 7.9 FPS
HW_{10} = 827.8	HW_{100} = 829.9

EXISTING STRUCTURE	
TYPE: CONCRETE SLAB SUPPORTED ON GRAVITY WALL ABUTMENT	
SPAN: 12'-0"	
ROADWAY: 22'-5" F/F RAILS	
ALIGNMENT: CURVE	
APPROACH SLAB: NONE	
SUPERELEVATION: VARIES	
DATE BUILT: 1900	
STRUCTURE FILE NO. 3006514	
SKEW: 0° REFERENCE CHORD	
DISPOSITION: TO BE REPLACED	
LOADING: S-11.3(7)	

PROPOSED STRUCTURE	
TYPE: PRECAST REINFORCED CONCRETE FLAT-TOPPED THREE-SIDED CULVERT WITH CAST-IN-PLACE WINGWALLS	
SPAN: 14'-0" F/F CULVERT	
ROADWAY: 34'-0" F/F RAILS	
ALIGNMENT: 1°19'11" CURVED TO THE RIGHT	
SUPERELEVATION: VARIES	
APPROACH SLAB: NONE	
SKEW: 0°	
WEARING SURFACE: ASPHALT CONCRETE	
LOADING: HL93	
FUTURE WEARING SURFACE: 60 PSF	
SFN: 3006914	



DESIGN SPECIFICATIONS:

THIS STRUCTURE CONFORMS TO THE "LRFD BRIDGE DESIGN SPECIFICATIONS" ADOPTED BY THE AMERICAN ASSOCIATION OF STATE HIGHWAY AND TRANSPORTATION OFFICIALS, 9TH EDITION AND THE ODOT BRIDGE DESIGN MANUAL.

DESIGN LOADING:

HL-93 WITH AN ALLOWANCE OF 0.06 KSF FUTURE WEARING SURFACE.

DESIGN STRESSES:

CAST-IN-PLACE STRUCTURES
CONCRETE CLASS "QC MISC." - $f'_c = 4,000$ psi SUBSTRUCTURE
REINFORCING STEEL - ASTM A615, A616, OR A617
 $F_y = 60,000$ psi.

REMOVAL OF EXISTING STRUCTURE:

PORTIONS OF THE EXISTING STRUCTURE SHALL BE REMOVED AS INDICATED.

FOUNDATION BEARING RESISTANCE:

WINGWALL AND CULVERT FOOTINGS, AS DESIGNED, PRODUCE A MAXIMUM SERVICE LIMIT STATE BEARING PRESSURE OF 3.0 KIPS PER SQUARE FOOT AND A MAXIMUM STRENGTH LIMIT STATE BEARING PRESSURE OF 4.5 KIPS PER SQUARE FOOT. THE FACTORED BEARING RESISTANCE IS 4.8 KIPS PER SQUARE FOOT.

THREE-SIDED CULVERT WALL AND TOP SLAB THICKNESS:

THE WALL AND TOP SLAB THICKNESSES SHOWN ON THE PLANS WERE OBTAINED FROM THE MANUFACTURERS AT THE TIME THE PLANS WERE PREPARED. IF THE WALL AND/OR TOP SLAB THICKNESS OF THE CULVERT PROPOSED ARE DIFFERENT FROM WHAT IS SHOWN IN THE PLANS, A MARKED COPY OF THE PROJECT PLANS, INCLUDING ALL PLAN NOTES AND DETAILS SHOWING ALL ITEMS AFFECTED BY THE DIFFERENT CULVERT DIMENSIONS, SHALL BE SUBMITTED FOR APPROVAL WITH THE SHOP DRAWINGS. ALL WORK REQUIRED TO ACCOMMODATE ANY REVISED DIMENSIONS SHALL BE AT NO EXTRA COST TO THE STATE.

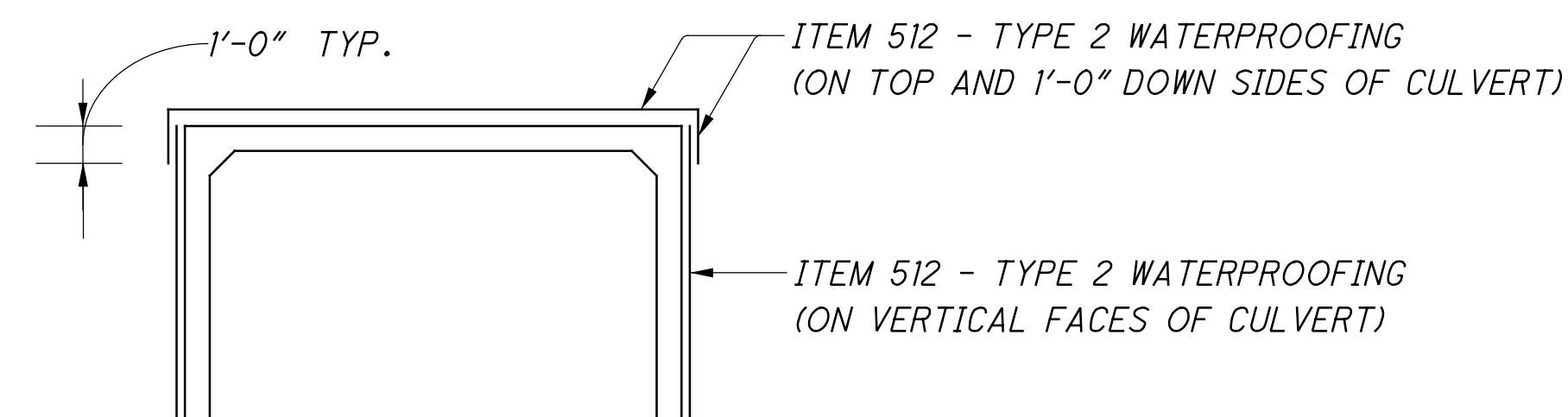
ITEM 512, TYPE 2 WATERPROOFING:

MEMBRANE WATERPROOFING (SHEET TYPE 2) SHALL BE APPLIED TO THE TOP SURFACE OF THE PRECAST CULVERT SECTIONS AND SHALL EXTEND VERTICALLY DOWN ALL SIDES FORTH PORTIONS OF THE CULVERT WHICH SHALL BE IN CONTACT WITH THE BACKFILL. THE EXTERIOR JOINT GAP ON THE TOP AND SIDES BETWEEN THE PRECAST CULVERT SECTIONS SHALL BE FILLED WITH PORTLAND CEMENT MORTAR PRIOR TO INSTALLING THE MEMBRANE WATERPROOFING. JOINT WRAP AS SPECIFIED IN 611.08 AND CONCRETE SEALING AS SPECIFIED IN 611.09 ARE NOT REQUIRED UNDER THE LIMITS OF THE MEMBRANE WATERPROOFING. PAYMENT FOR THE MEMBRANE WATERPROOFING SHALL BE AT THE CONTRACT PRICE BID PER SQUARE YARD FOR ITEM 512, TYPE 2 WATERPROOFING.

ITEM 511 - CLASS QC1 CONCRETE, HEADWALL:

THE QUANTITY SHOWN FOR THIS PAY ITEM REPRESENTS THE FORESLOPE WALL LOCATED ATOP EACH END OF THE CONDUIT.

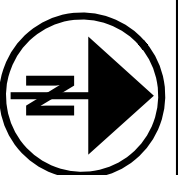
WHEN SEALING OF CONCRETE SURFACES (EPOXY) IS SPECIFIED ON THE HEADWALLS OF A PRECAST CONCRETE BOX CULVERT, ANY PRECAST CULVERT SECTIONS BEYOND THE LIMIT OF THE MEMBRANE WATERPROOFING SHALL BE SEALED USING EPOXY SEALER. PAYMENT FOR THE SEALING OF THE PRECAST CONCRETE BOX SURFACES SHALL BE MADE AT THE CONTRACT PRICE BID PER SQUARE YARD FOR ITEM 512 - SEALING OF CONCRETE SURFACES (EPOXY URETHANE).



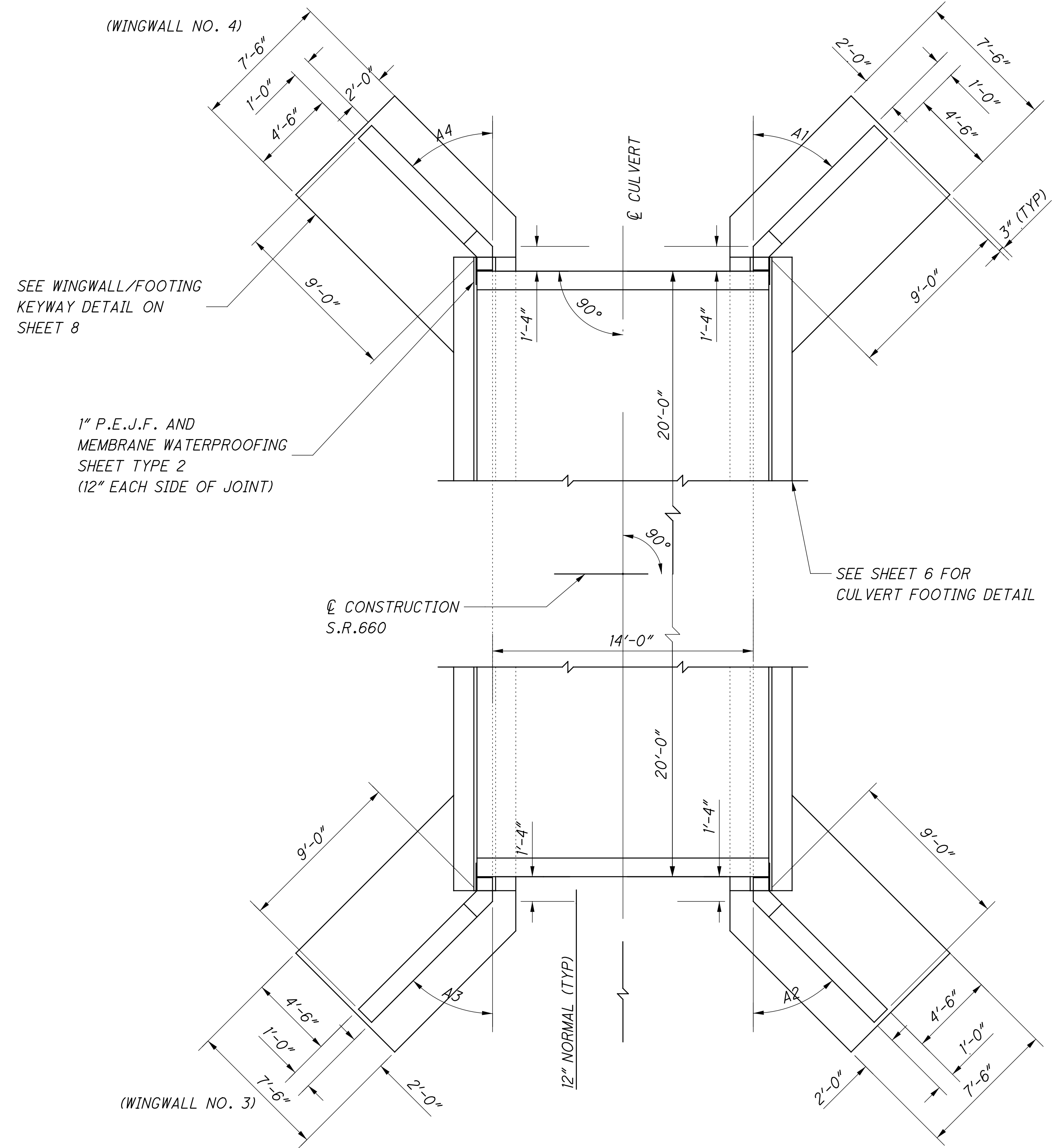
GENERAL SUMMARY (GUE - 660 - 2.52)				
ITEM	ITEM EXT.	TOTAL	UNIT	DESCRIPTION
202	11000	LS	LUMP	STRUCTURE REMOVED
503	21100	67	CY	UNCLASSIFIED EXCAVATION
509	10000	6015	LB	EPOXY COATED REINFORCING STEEL
511	46010	12	CY	CLASS QC1 CONCRETE, RETAINING/WINGWALL NOT INCLUDING FOOTING
511	46510	54	CY	CLASS QC1 CONCRETE, FOOTING
511	46610	1	CY	CLASS QC1 CONCRETE, HEADWALL
512	33000	128	SY	TYPE 2 WATERPROOFING
512	10100	34	SY	SEALING OF CONCRETE SURFACES (EPOXY URETHANE)
516	13600	27	SF	1" PREFORMED EXPANSION JOINT FILLER
518	21200	16	CY	POROUS BACKFILL WITH GEOTEXTILE FABRIC
601	32100	57	CY	ROCK CHANNEL PROTECTION, TYPE B WITH FILTER
601	34200	43	CY	ROCK CHANNEL PROTECTION, TYPE C WITHOUT FILTER
611	70000	40	FT	CONDUIT, TYPE A, PRECAST REINFORCED CONCRETE, THREE SIDED FLAT TOPPED CULVERT (14'-0" SPAN X 6'-0" RISE)

CULVERT ESTIMATED QUANTITIES
STA. 133+13.00

GUE - 660 - 2.52



CALCULATED
KEW
CHECKED
JOH



SEE WINGWALL/FOOTING
KEYWAY DETAIL ON
SHEET 8

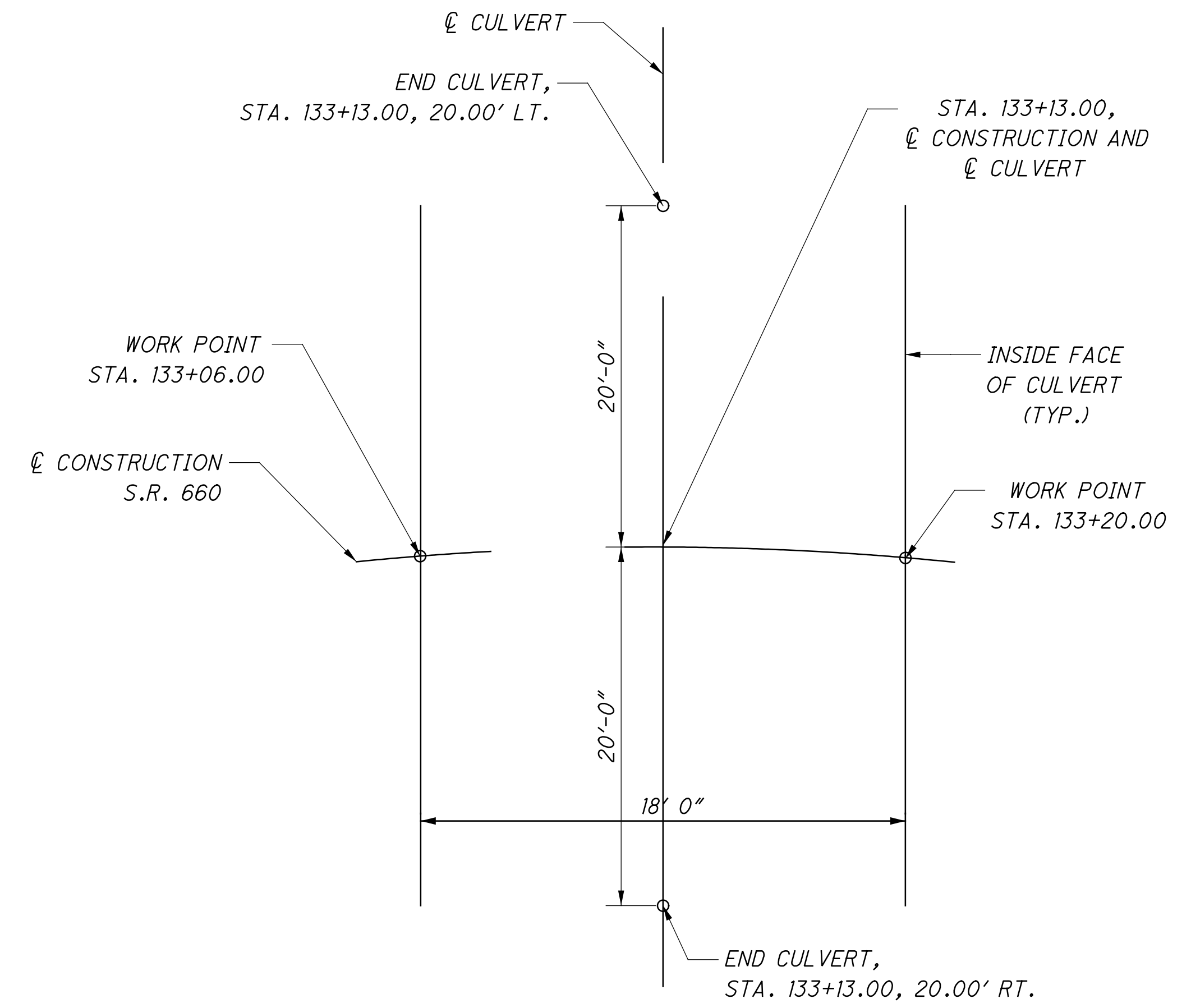
1" P.E.J.F. AND
MEMBRANE WATERPROOFING
SHEET TYPE 2
(12" EACH SIDE OF JOINT)

∅ CONSTRUCTION
S.R.660

SEE SHEET 6 FOR
CULVERT FOOTING DETAIL

(WINGWALL NO. 1)

(WINGWALL NO. 2)



REFERENCE DIAGRAM

WINGWALL ANGLES	
A1	45°0'0"
A2	45°0'0"
A3	45°0'0"
A4	45°0'0"

CULVERT & WINGWALL LAYOUT

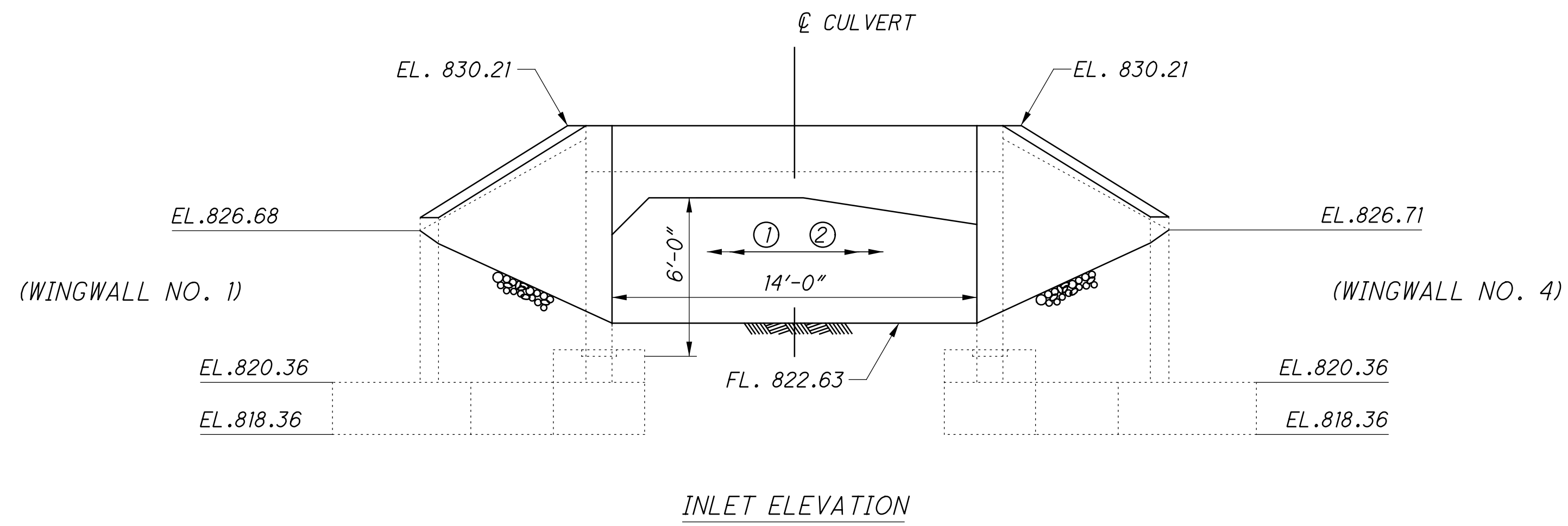
NOTE: SEE TABLE THIS SHEET FOR VALUES OF A1,A2,A3,A4

CULVERT LAYOUT
STA. 133+13.00

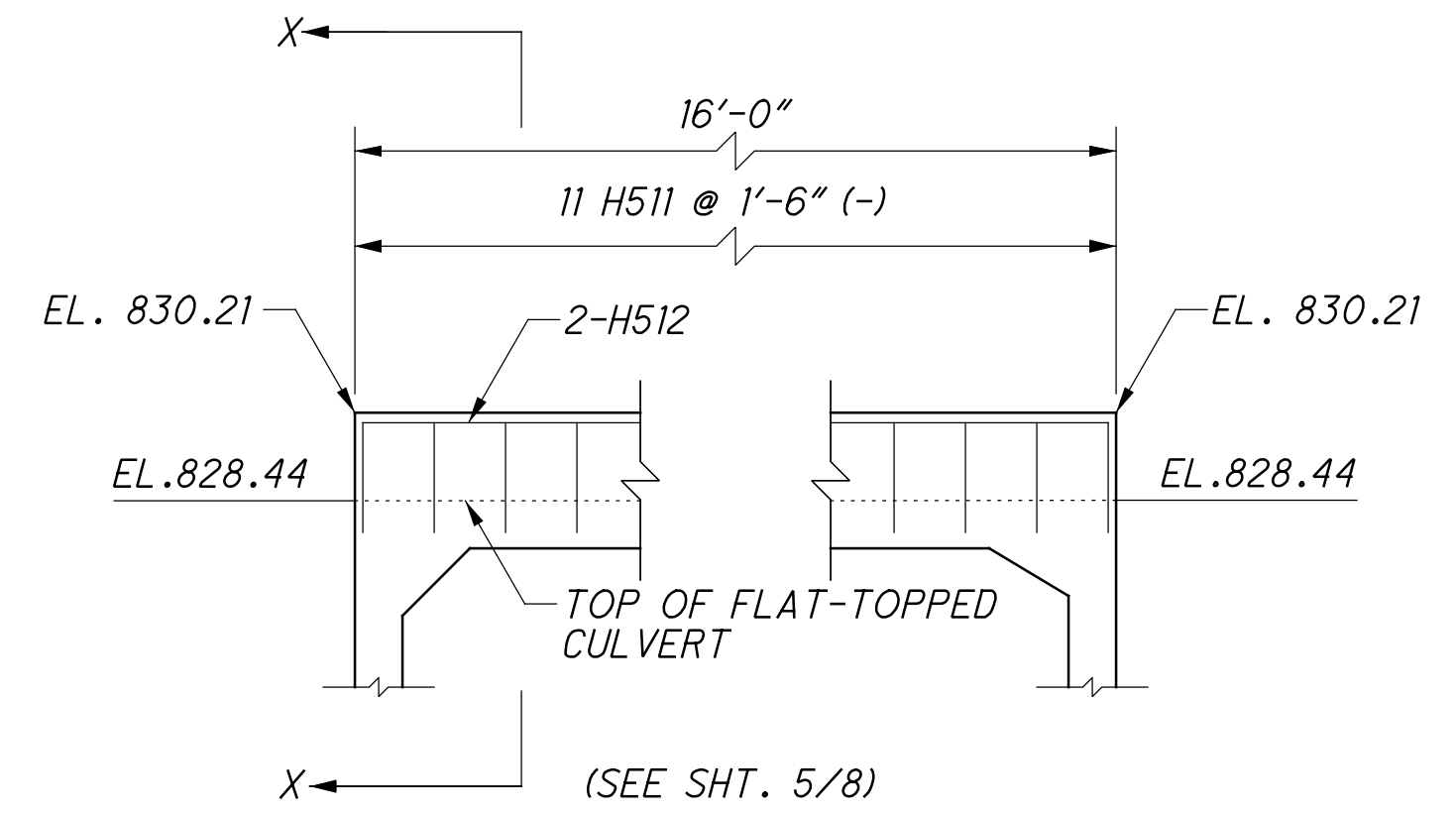
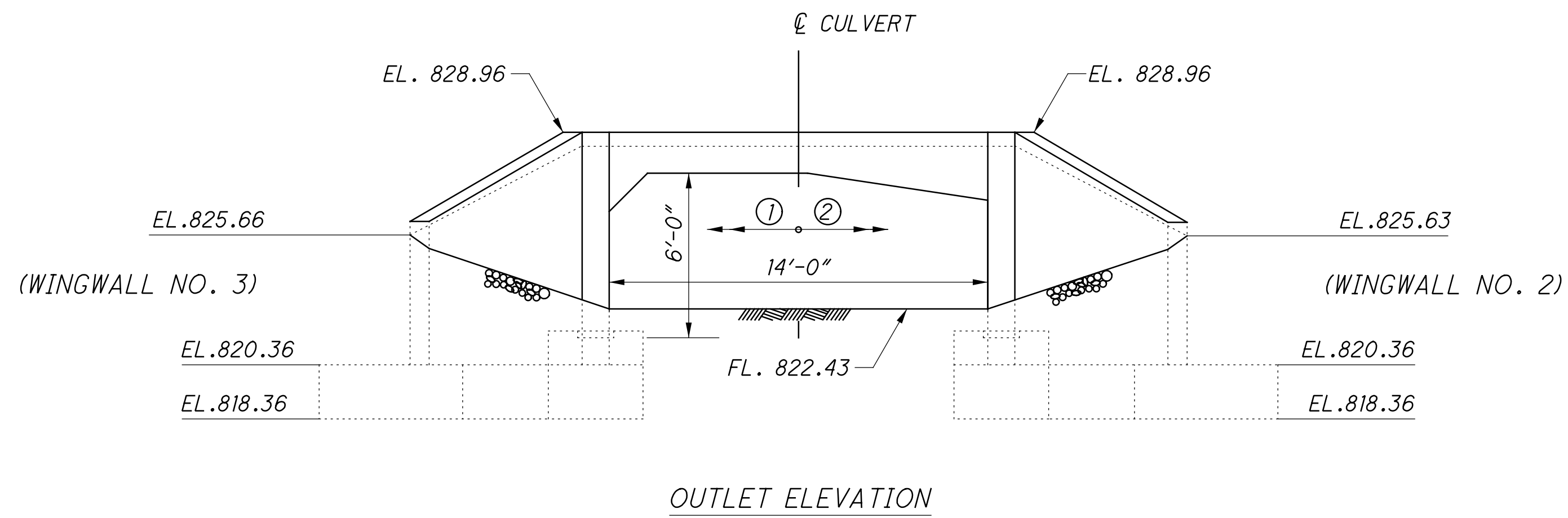
GUE-660-2.52

3 / 8

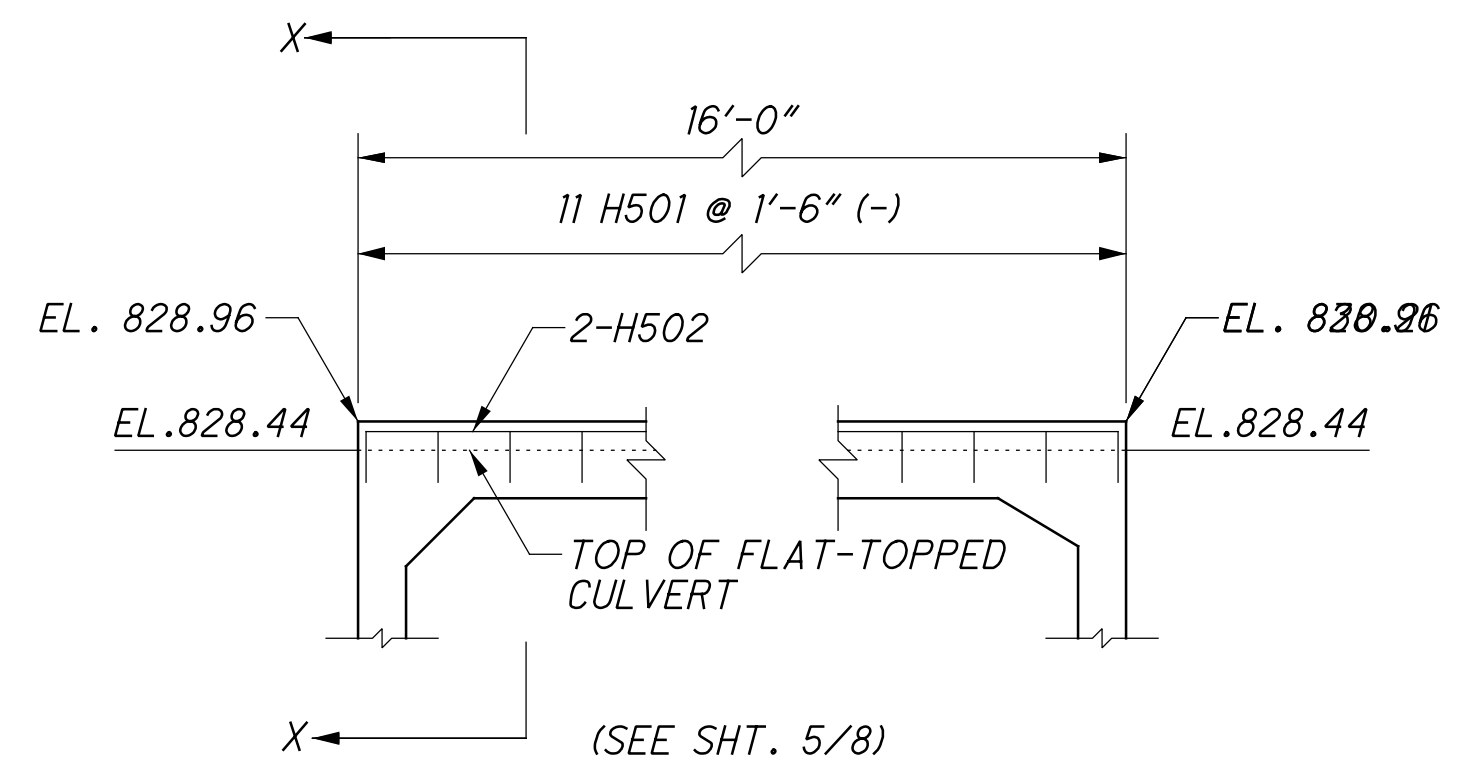
102
125



NOTE: ① - SHORT HAUNCH PRECAST UNIT
② - LONG HAUNCH PRECAST UNIT



INLET FORESLOPE WALL REINFORCING DETAIL
(FOR FLAT-TOPPED CULVERTS ONLY)

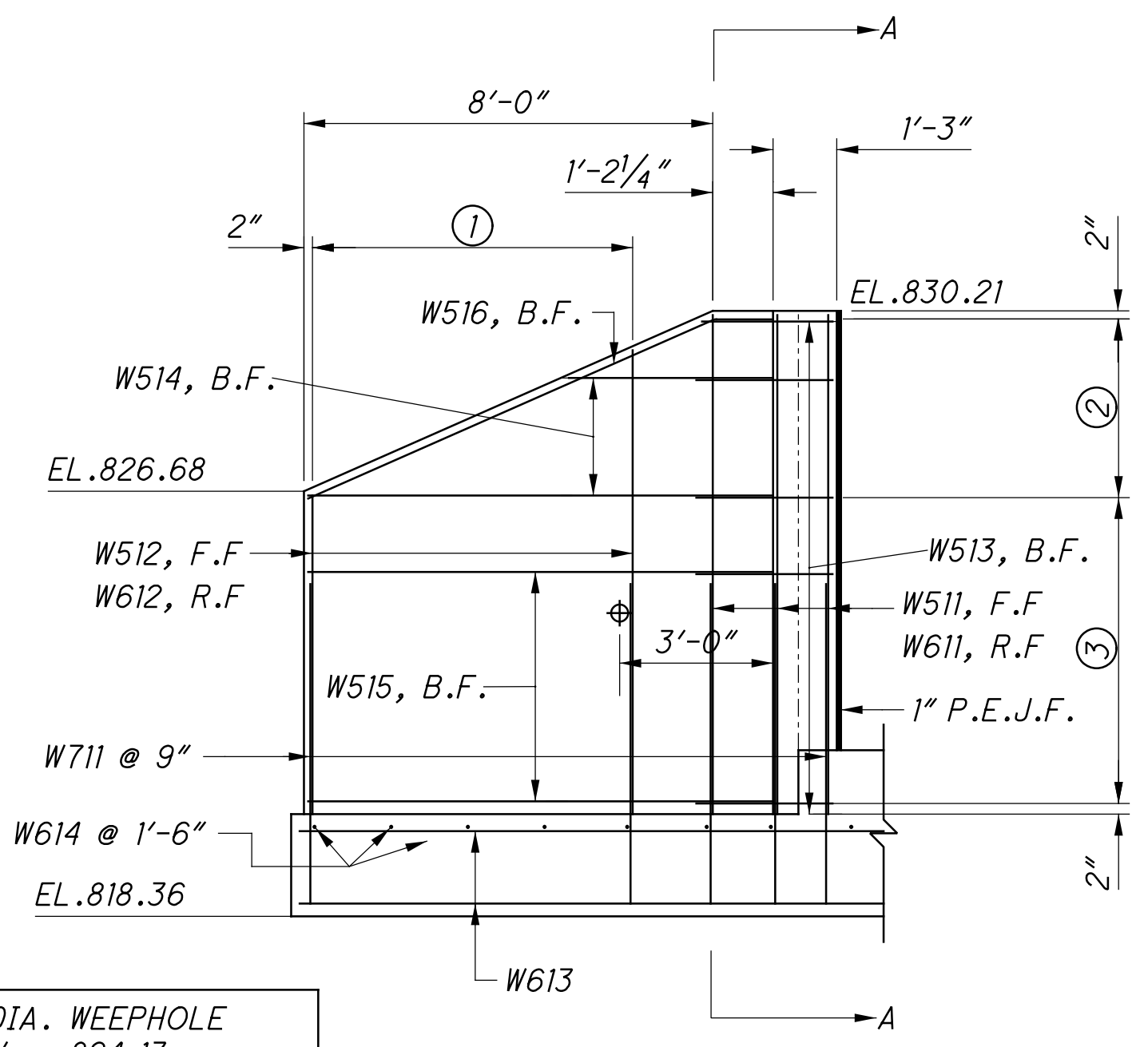


OUTLET FORESLOPE WALL REINFORCING DETAIL
(FOR FLAT-TOPPED CULVERTS ONLY)

CULVERT ELEVATION
STA. 133+13.00

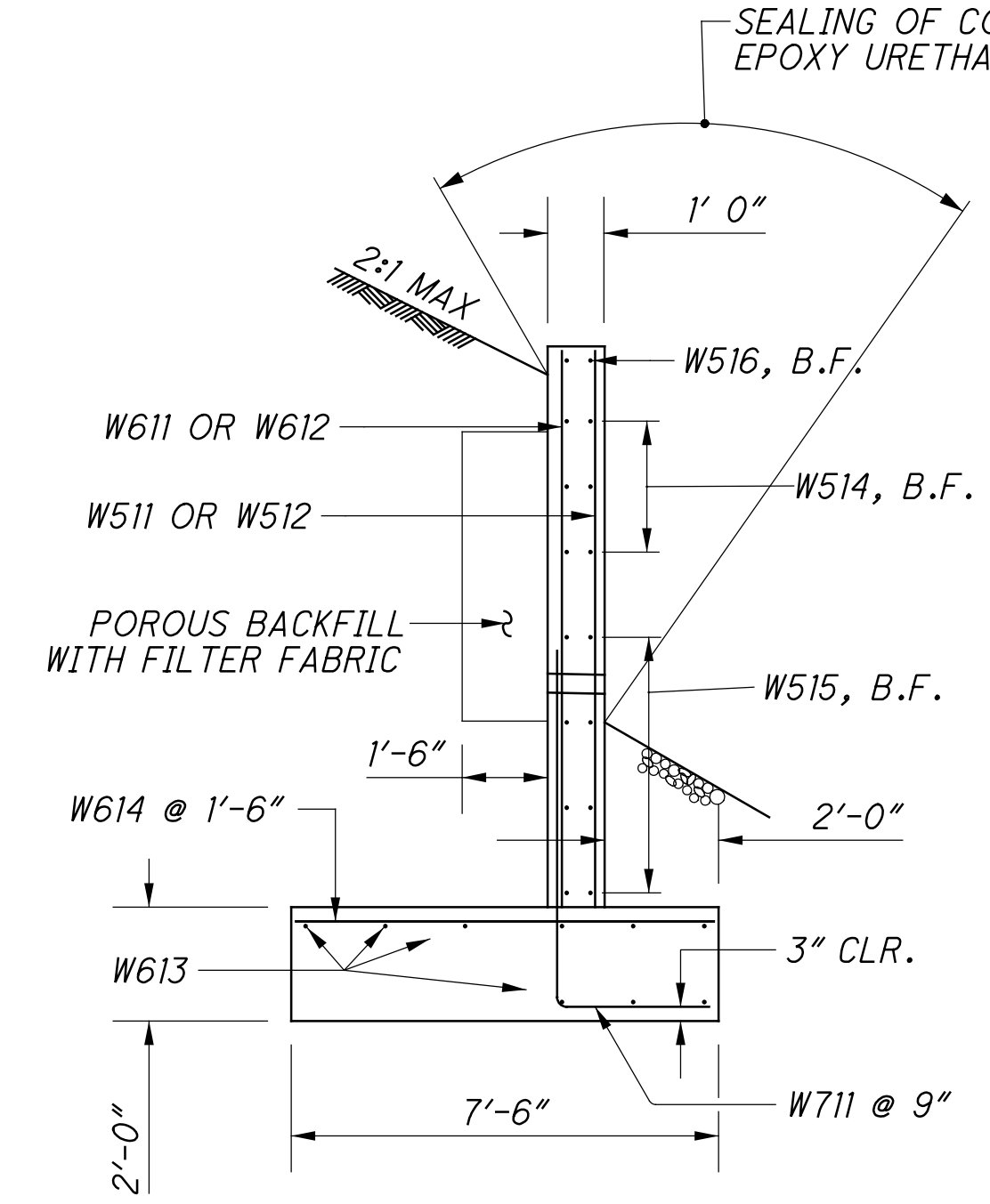
GUE-660-2.52

LEGEND:
F.F. = FRONT FACE
R.F. = REAR FACE
B.F. = BOTH FACE

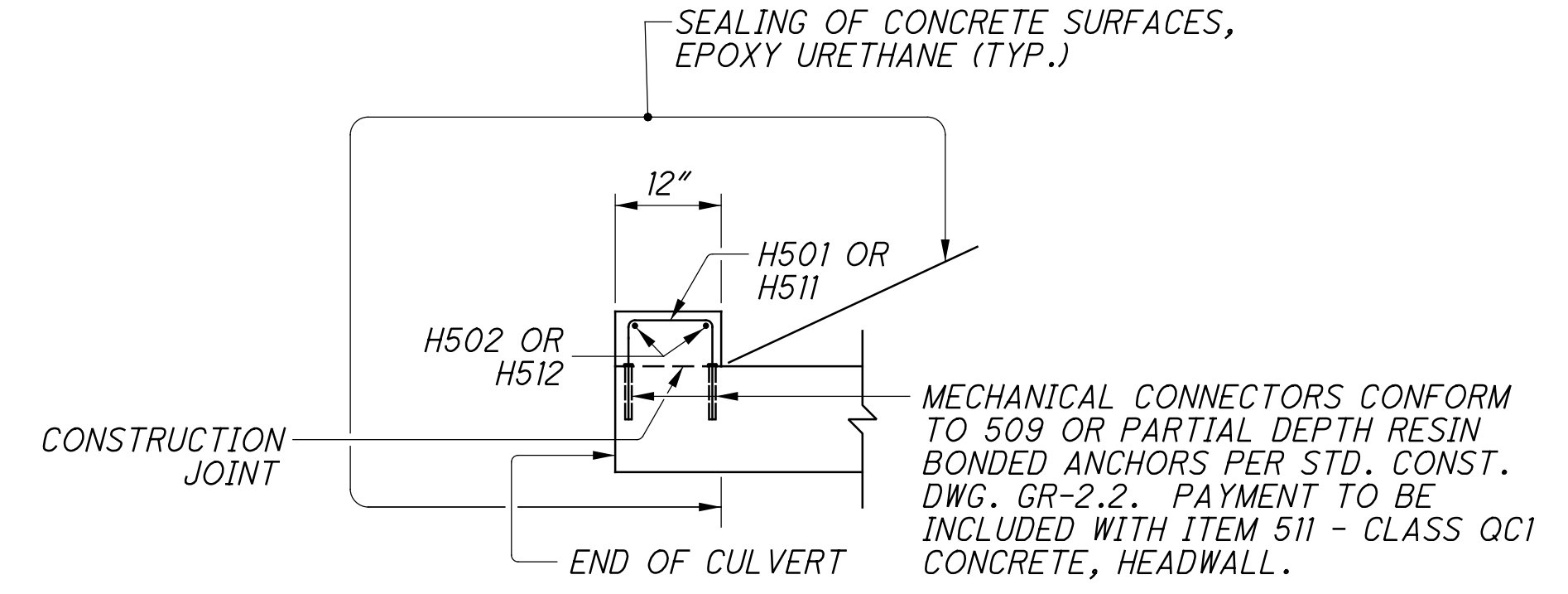


WINGWALL 1 ELEVATION

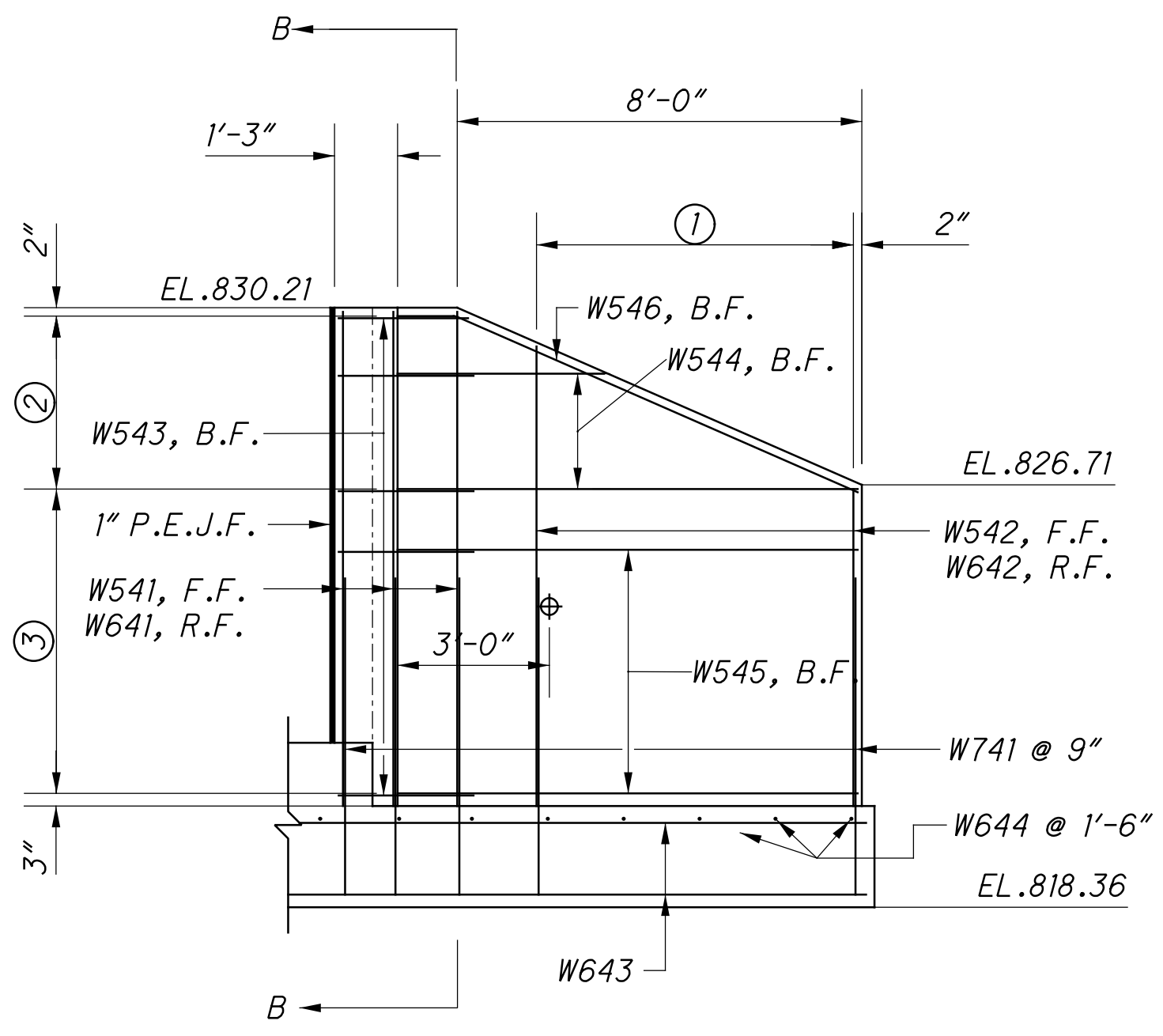
- ① SER. OF 5 @ 1'-6"
- ② 3 SPACES @ 1'-1 3/4"
- ③ 4 SPACES @ 1'-6"



SECTION A-A

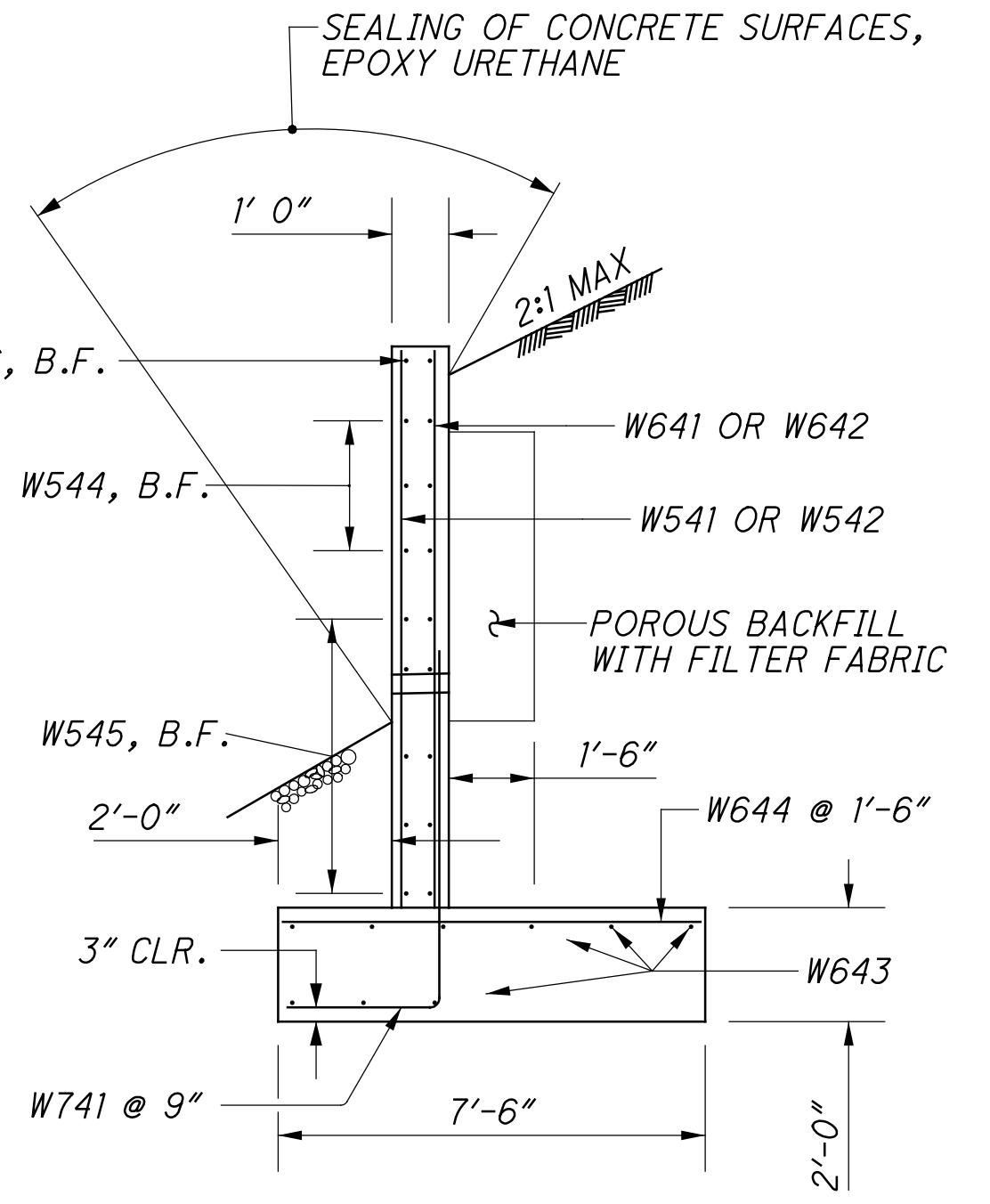


SECTION X-X
FORESLOPE WALL



WINGWALL 4 ELEVATION

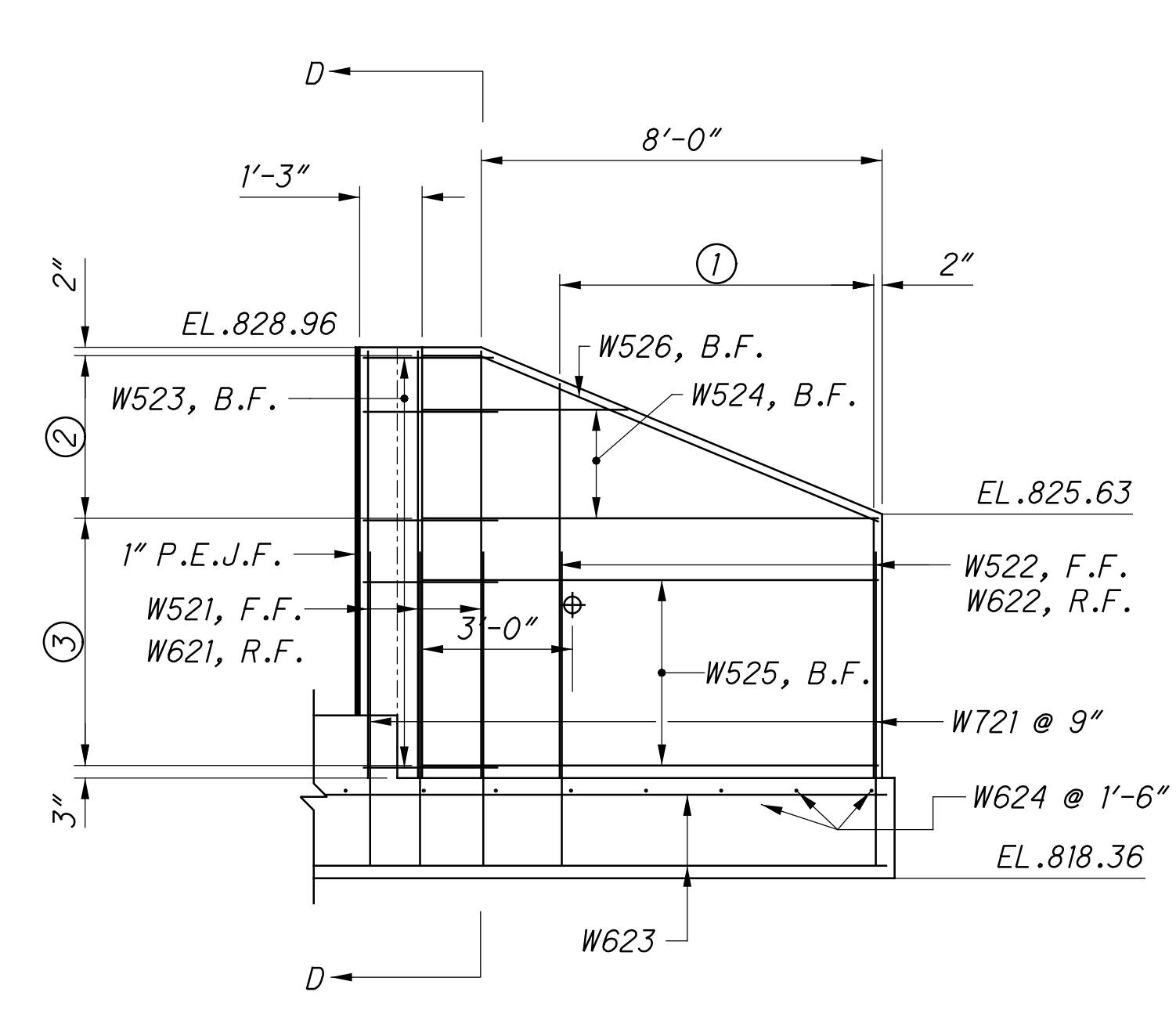
- ① SER. OF 5 @ 1'-6"
- ② 3 SPACES @ 1'-1 3/4"
- ③ 5 SPACES @ 1'-2 1/2"



SECTION B-B

NOTES:

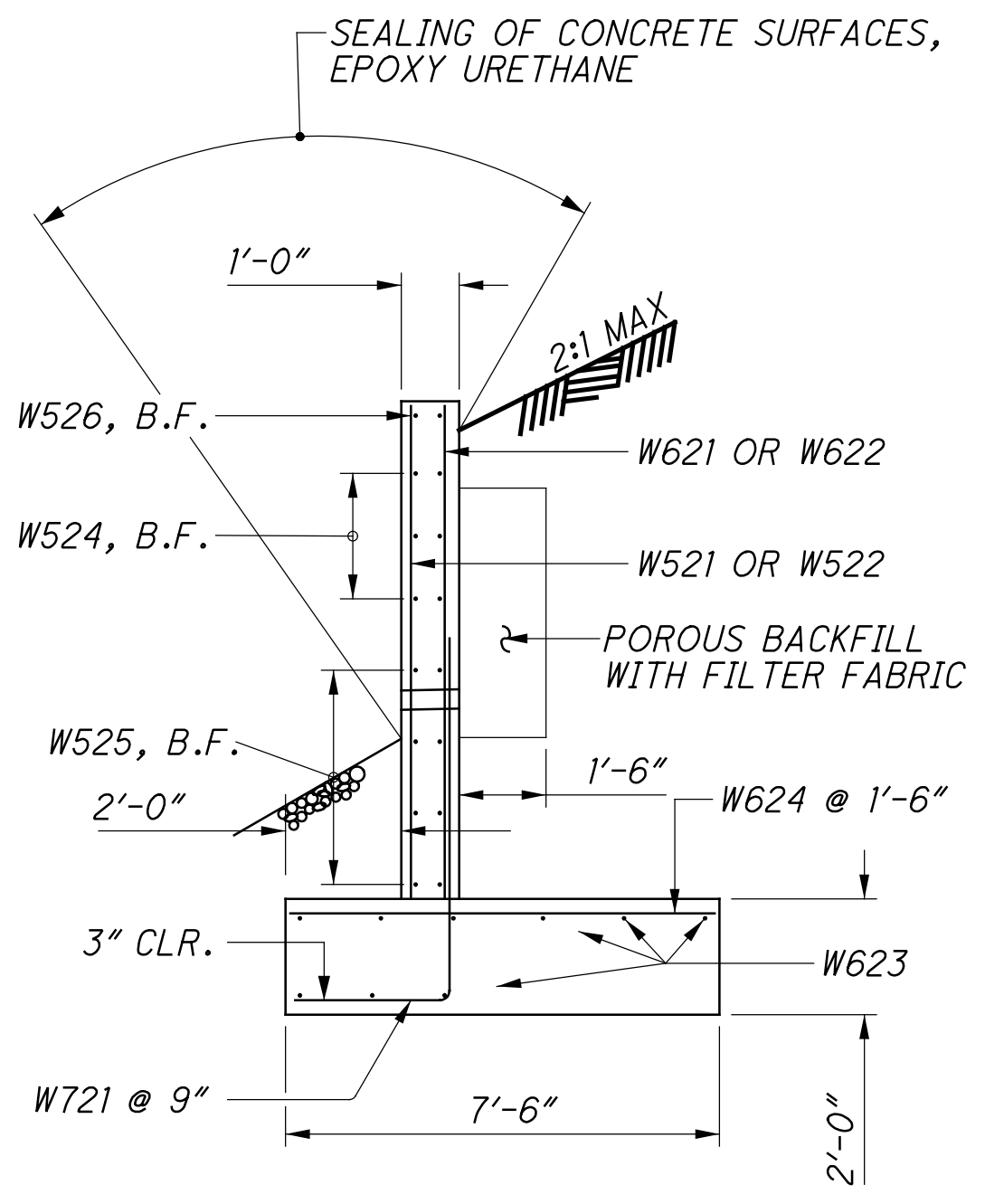
1. ITEM 518 - POROUS BACKFILL W/FILTER FABRIC 1'-6" THICK SHALL BE PLACED BEHIND THE WINGWALLS ONLY AND SHALL EXTEND 1' BELOW THE EMBANKMENT SURFACE. GEOTEXTILE FABRIC SHALL BE PLACED BETWEEN THE POROUS BACKFILL AND REPLACED EXCAVATION ADJACENT TO THE STRUCTURE. IT SHALL TURN UNDER THE BOTTOM OF THE POROUS BACKFILL, AND RETURN 6" ABOVE THE WEEPHOLE.
2. 1" PREFORMED EXPANSION JOINT FILLER SHALL BE EXTENDED FROM TOP OF FOOTING TO TOP OF WALL.



WINGWALL 2 ELEVATION

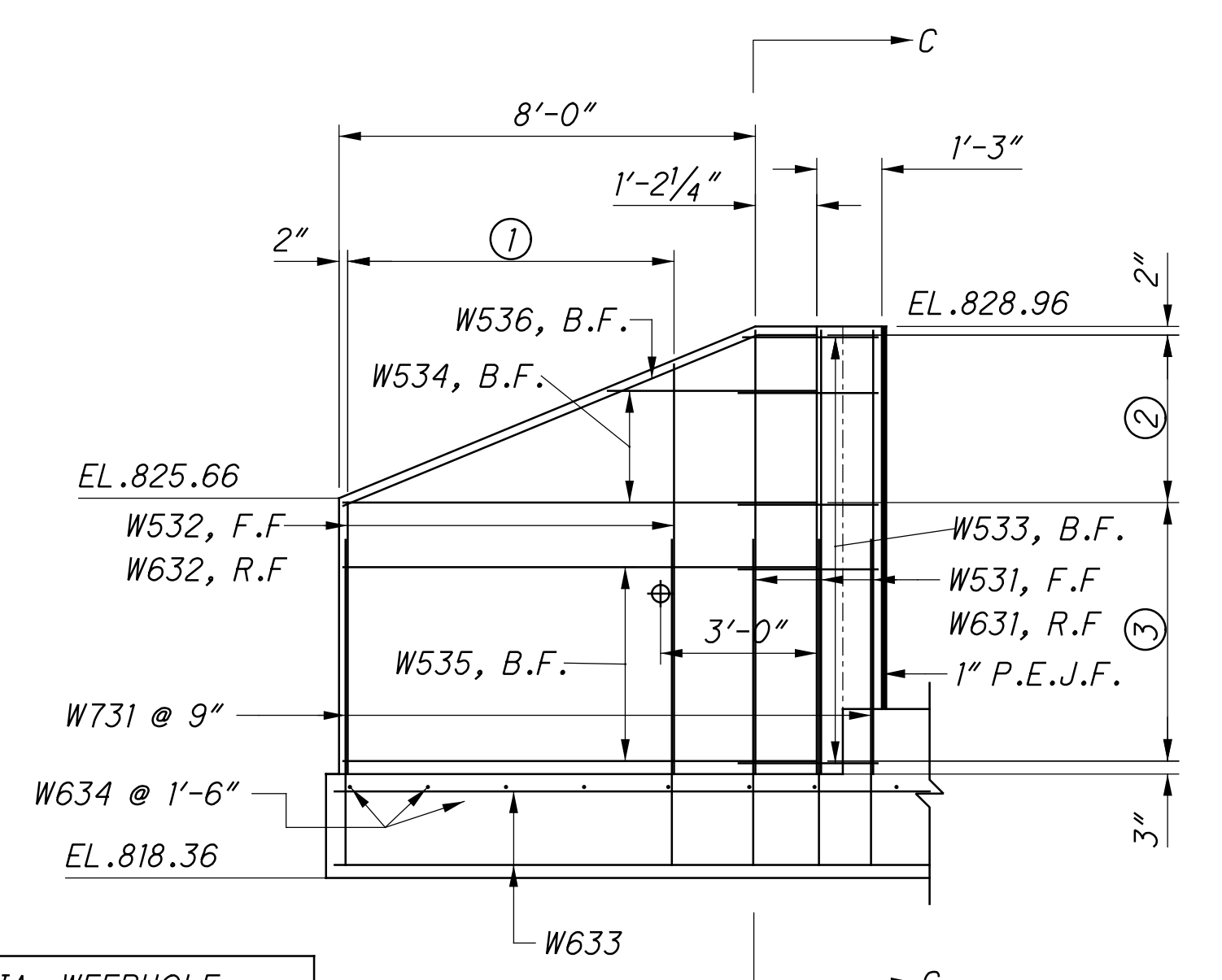
NOTE: 4" DIA. WEEPHOLE
ELEV. = 823.65

- ① SER. OF 5 @ 1'-6"
- ② 3 SPACES @ 1'-1"
- ③ 4 SPACES @ 1'-2³/₄"



SECTION D-D

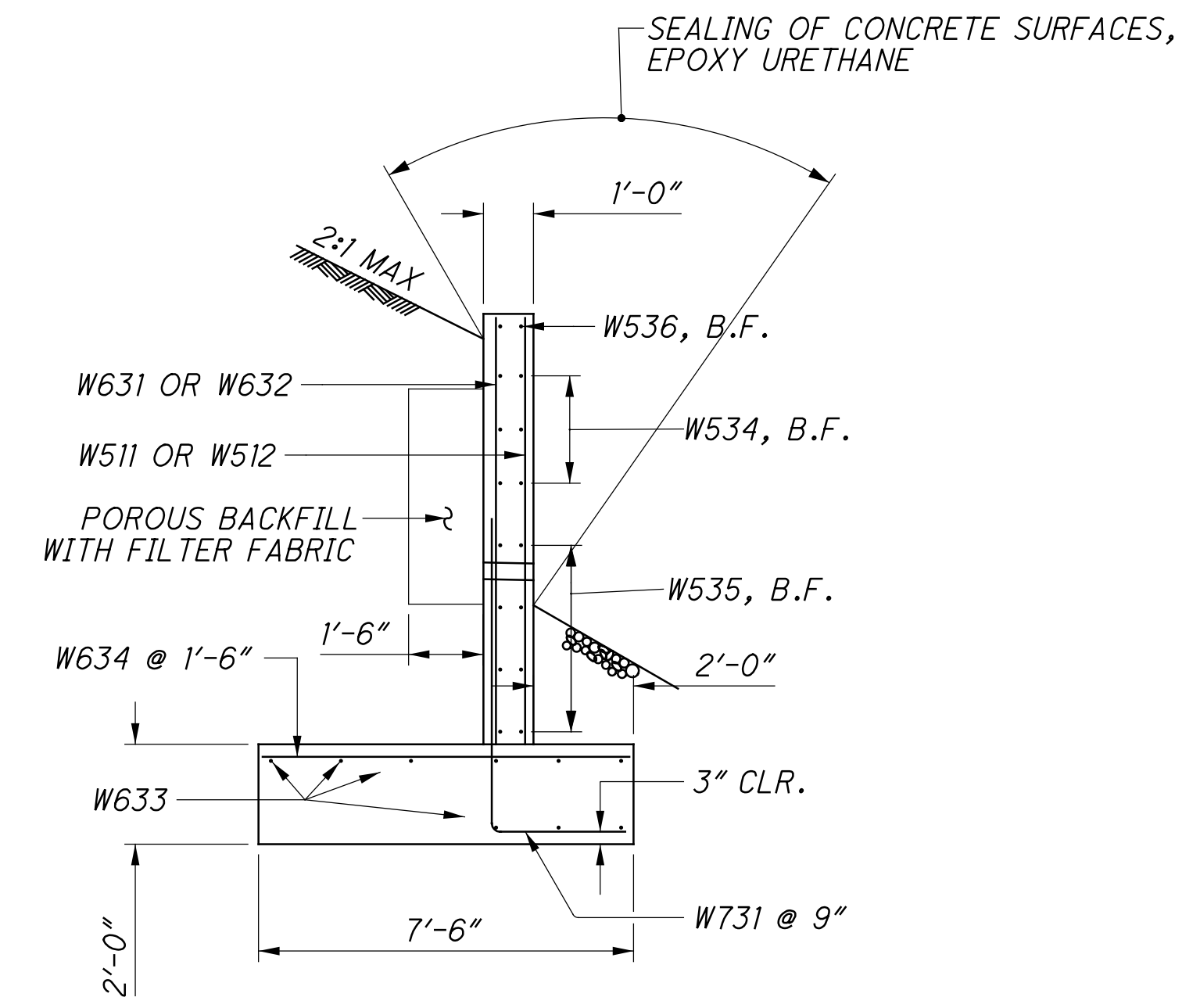
LEGEND:
F.F. = FRONT FACE
R.F. = REAR FACE
B.F. = BOTH FACE



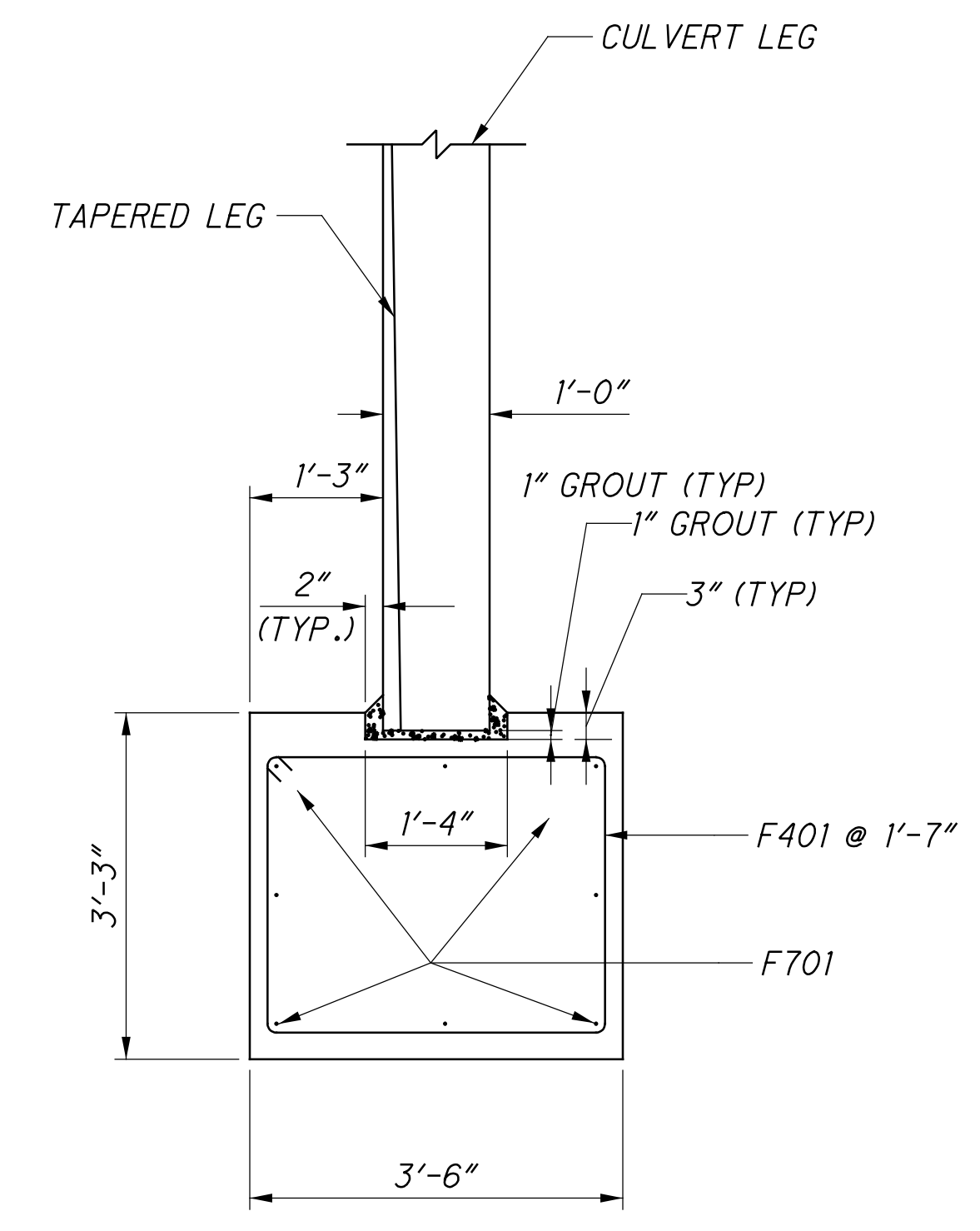
WINGWALL 3 ELEVATION

NOTE: 4" DIA. WEEPHOLE
ELEV. = 823.66

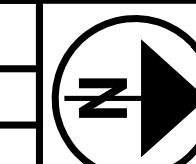
- ① SER. OF 5 @ 1'-6"
- ② 3 SPACES @ 1'-0³/₄"
- ③ 4 SPACES @ 1'-3"



SECTION C-C



CULVERT FOOTING SECTION



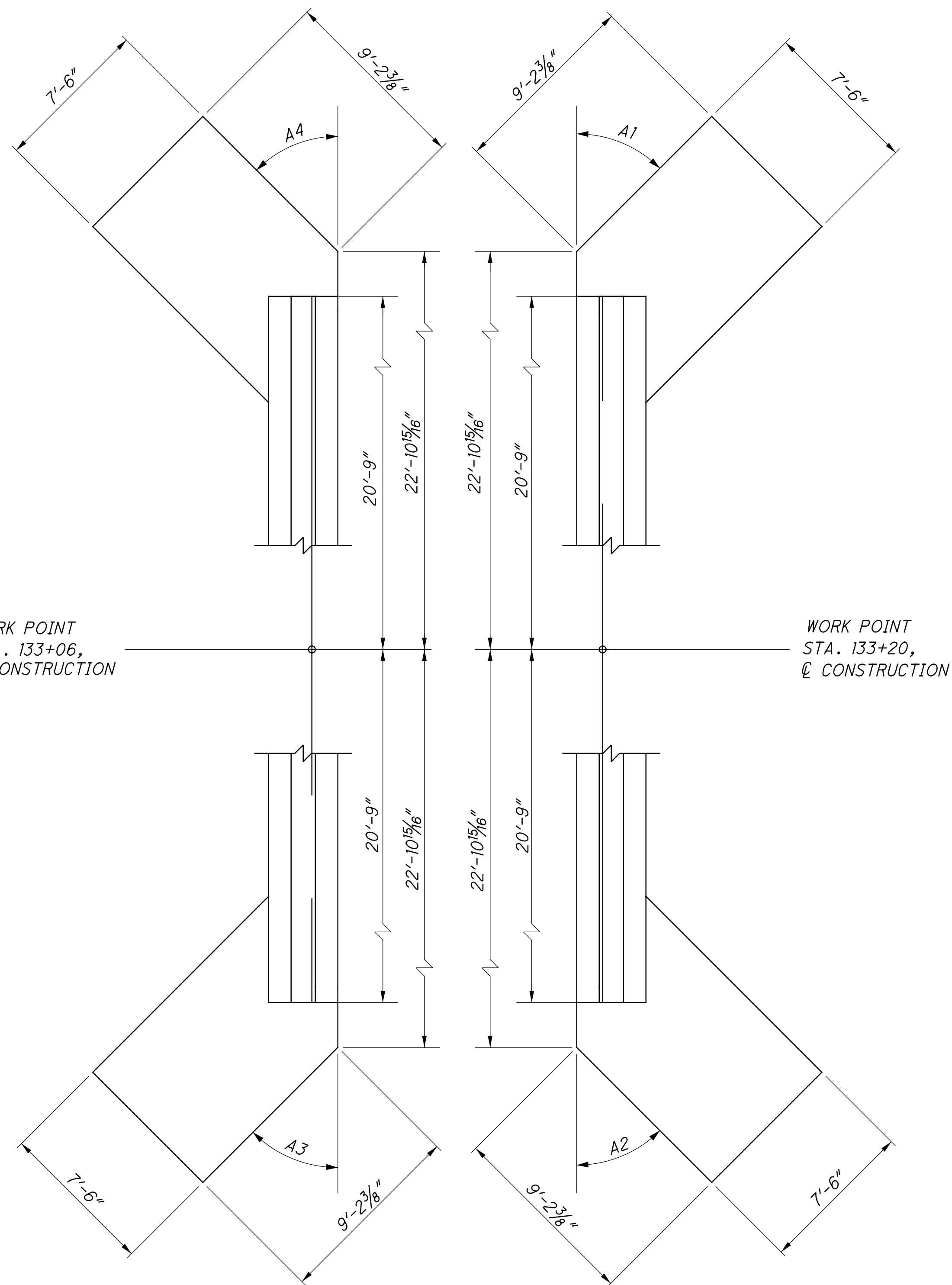
CALCULATED
KEW
CHECKED
JOH

FOOTING DETAILS
STA. 133+13.00

GUE-660-2.52

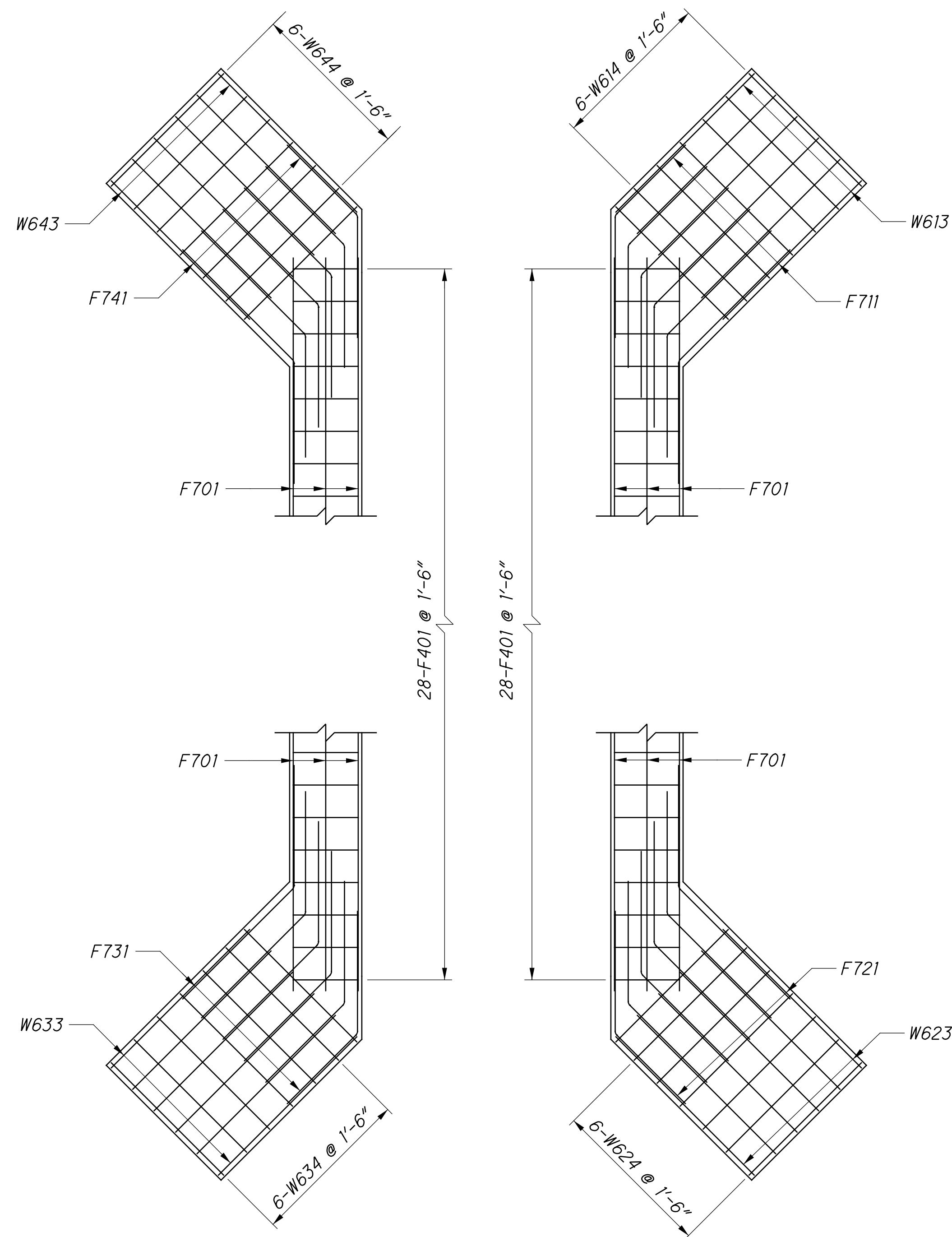
7/8

106
125



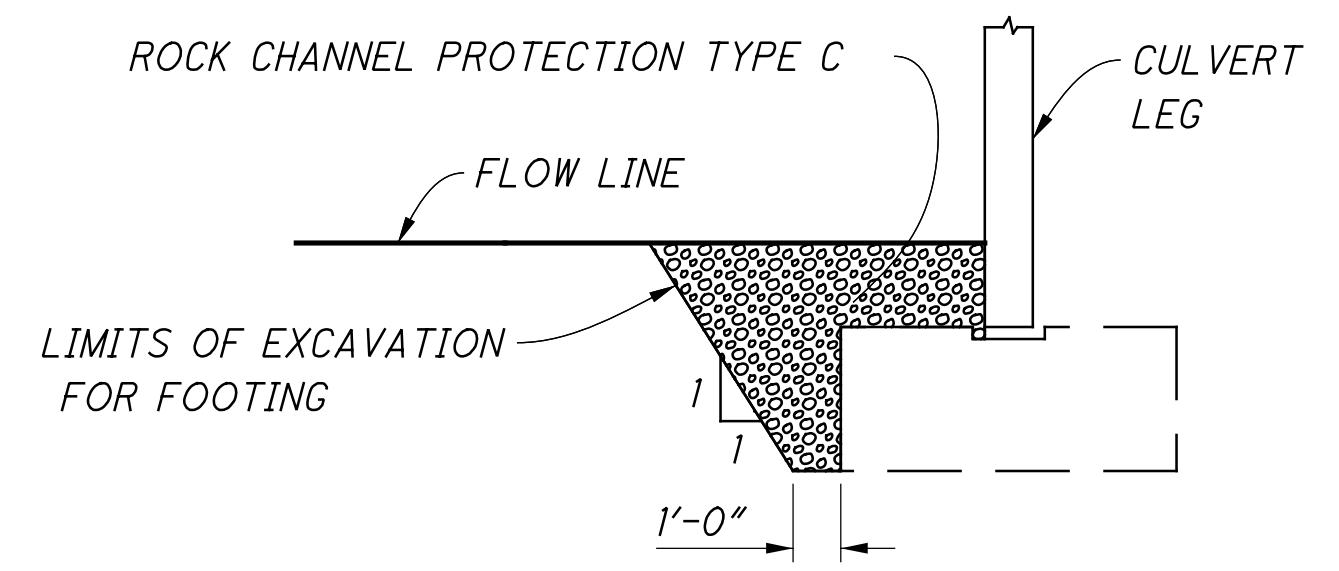
FOOTING LAYOUT

SEE TABLE ON SHEET 3 FOR VALUES OF A1 THRU A4

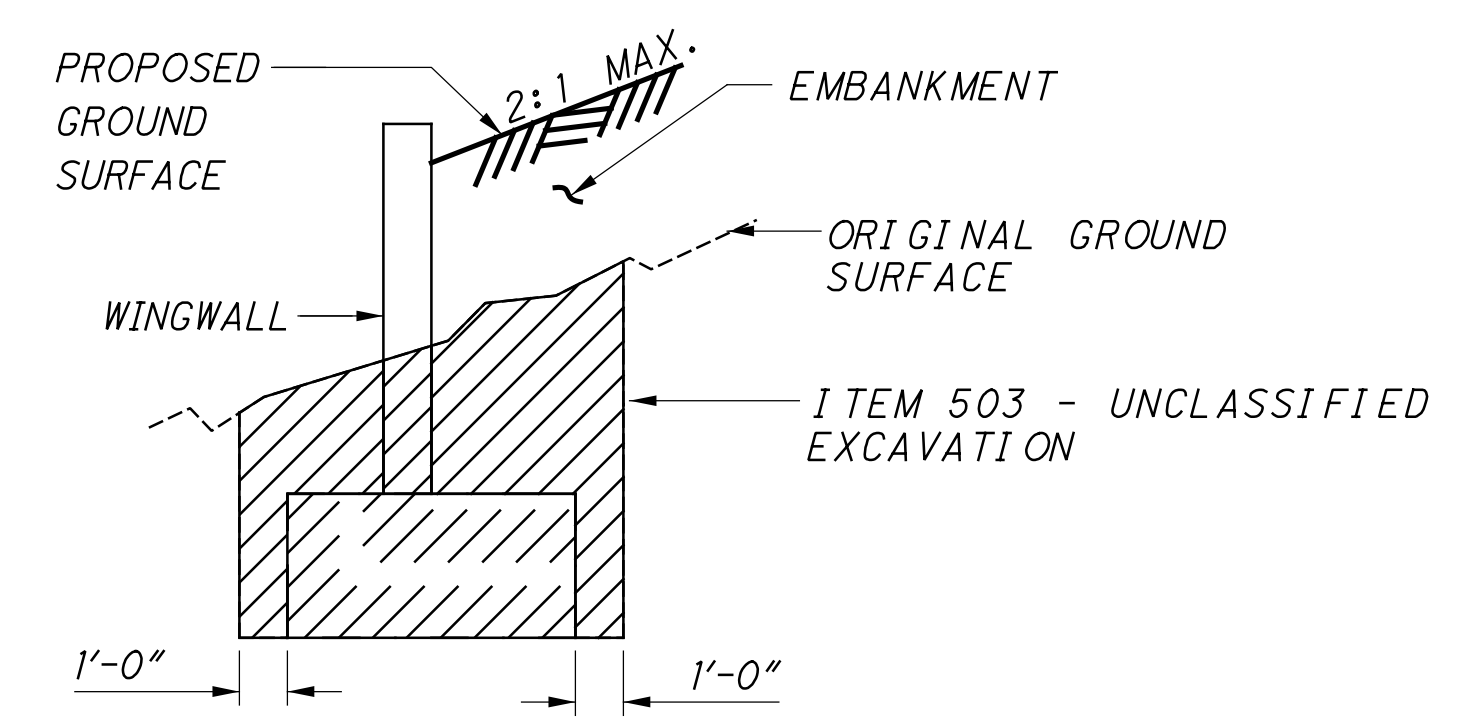


FOOTING REINFORCING PLAN

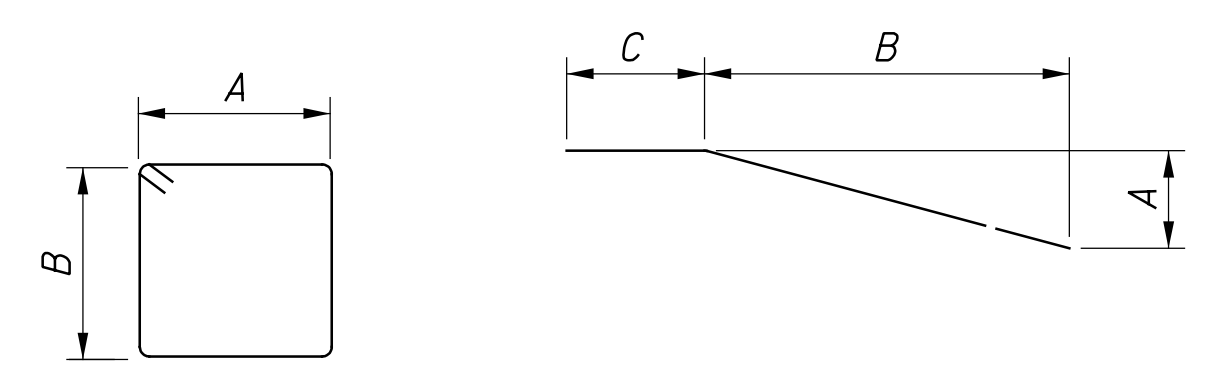
REINFORCING STEEL LIST



ROCK CHANNEL PROTECTION INSIDE CULVERT

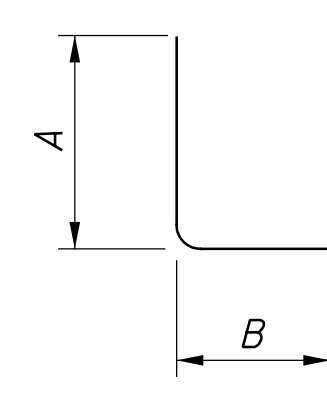


LIMITS OF UNCLASSIFIED EXCAVATION ON WINGWALL

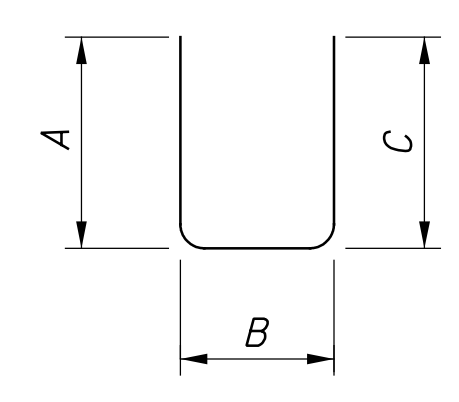


TYPE 1

TYPE 2



TYPE 3

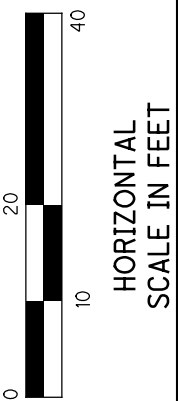


TYPE 4

BENDING DIAGRAMS

MARK	NO.	LENGTH	WEIGHT	TYPE	A	B	C	INCR	REMARKS
WINGWALL 1									
W511	3	9'-9"	31	STR					
	1	6'-3"							
W512	S.O.	TO	40	STR				0'-9"	
	5	9'-1"							
W513	16	2'-4"	39	2	0'-10"	0'-10"	1'-2"		
	2	4'-0"							
W514	S.O.	TO	41	STR				2'-7"	
	3	9'-1"							
W515	8	9'-1"	76	STR					
W516	2	9'-9"	20	2	3'-4"	7'-11"	1'-2"		
WINGWALL 2									
W521	3	8'-6"	27	STR					
	1	5'-2"							
W522	S.O.	TO	34	STR				0'-8"	
	5	7'-10"							
W523	16	2'-4"	39	2	0'-10"	0'-10"	1'-2"		
	2	4'-1"							
W524	S.O.	TO	41	STR				2'-6"	
	3	9'-1"							
W525	8	9'-1"	76	STR					
W526	2	9'-8"	20	2	3'-2"	7'-11"	1'-2"		
WINGWALL 3									
W531	3	8'-6"	27	STR					
	1	5'-3"							
W532	S.O.	TO	34	STR				0'-8"	
	5	7'-10"							
W533	16	2'-4"	39	2	0'-10"	0'-10"	1'-2"		
	2	4'-0"							
W534	S.O.	TO	41	STR				2'-6"	
	3	9'-1"							
W535	8	9'-1"	76	STR					
W536	2	9'-8"	20	2	3'-2"	7'-11"	1'-2"		
SUBTOTAL			1768						
S.O. - SERIES OF									

MARK	NO.	LENGTH	WEIGHT	TYPE	A	B	C	INCR	REMARKS
WINGWALL 4									
W631	3	8'-6"	38	STR					
	1	5'-3"							
W632	S.O.	TO	49	STR				0'-8"	
	5	7'-10"							
W633	9	9'-0"	122	STR					
W634	6	7'-4"	66	STR					
W731	14	8'-9"	250	3	6'-3"	2'-8"			
CULVERT FOOTING									
F401	56	12'-0"	449	1	3'-2"	2'-7"			
F701	32	21'-11"	1434	STR					
	1	10'-3"			3'-3"	3'-3"			
F711	S.O.	TO	214	2	TO	TO	5'-8"	0'-4"	
	9	13'-0"			5'-2"	5'-2"			
	1	10'-3"			3'-3"	3'-3"			
F721	S.O.	TO	214	2	TO	TO	5'-8"	0'-4"	
	9	13'-0"			5'-2"	5'-2"			
	1	10'-3"			3'-3"	3'-3"			
F731	S.O.	TO	214	2	TO	TO	5'-8"	0'-4"	
	9	13'-0"			5'-2"	5'-2"			
	1	10'-3"			3'-3"	3'-3"			
F741	S.O.	TO	214	2	TO	TO	5'-8"	0'-4"	
	9	13'-0"			5'-2"	5'-2"			
HEADWALL									
H501	11	2'-7"	30	4	1'-1"	0'-8"	1'-1"		
H502	2	15'-10"	33	STR					
H511	11	5'-1"	58	4	2'-4"	0'-8"	2'-4"		
H512	2	15'-10"	33	STR					
SUBTOTAL			4229						
TOTAL CARRIED TO SHEET 2 OF 8									



CALCULATED
KEW
CHECKED
JOH

CULVERT PLAN AND PROFILE
STA. 133+13.00

GUE-660-2.52

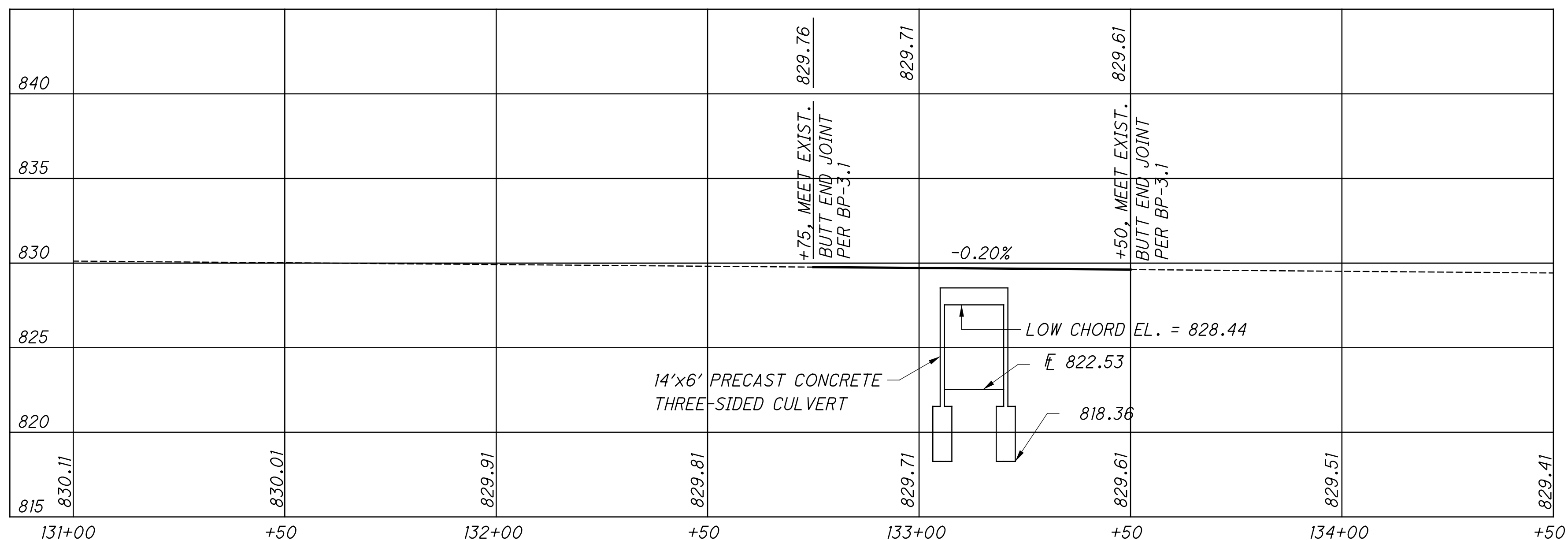
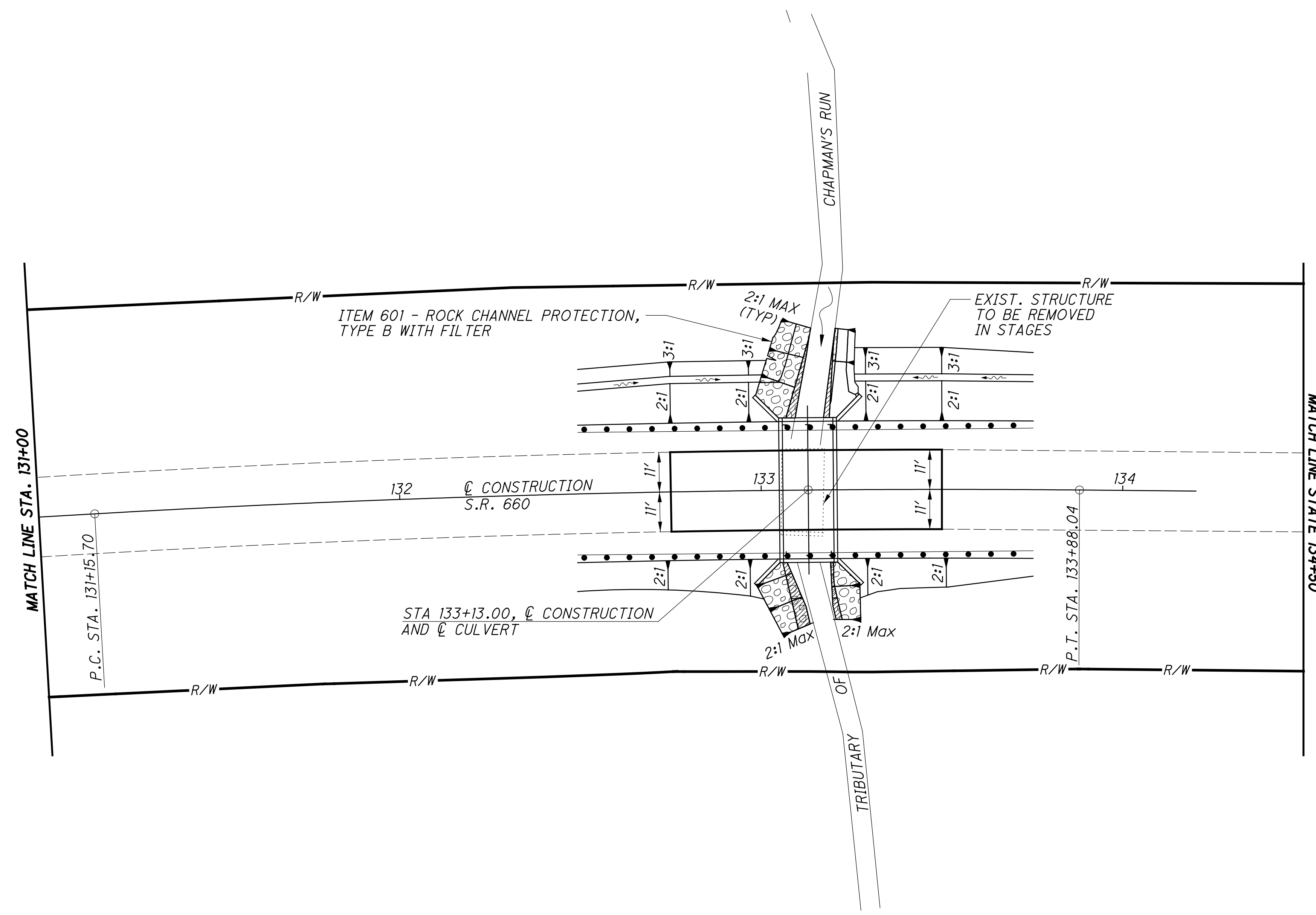
1/8

100
125

HYDRAULIC DATA	
DRAINAGE AREA: 0.79 SQ.MI.	
EXISTING WATERWAY OPENING: 60.0 SF	
PROPOSED WATERWAY OPENING: 70.0 SF	
ORDINARY HIGH WATER MARK: 822.9 FT	
SFN: 3006914	
DESIGN SERVICE LIFE: 75 YRS	
Abrasion Level: 3	
$Q_{10} = 297$ CFS	$Q_{100} = 518$ CFS
$V_{10} = 6.9$ FPS	$V_{100} = 7.9$ FPS
$HW_{10} = 827.8$	$HW_{100} = 829.9$

EXISTING STRUCTURE	
TYPE: CONCRETE SLAB SUPPORTED ON GRAVITY WALL ABUTMENT	
SPAN: 12'-0"	
ROADWAY: 22'-5" F/F RAILS	
ALIGNMENT: CURVE	
APPROACH SLAB: NONE	
SUPERELEVATION: VARIES	
DATE BUILT: 1900	
STRUCTURE FILE NO. 3006514	
SKEW: 0° REFERENCE CHORD	
DISPOSITION: TO BE REPLACED	
LOADING: S-11.3(7)	

PROPOSED STRUCTURE	
TYPE: PRECAST REINFORCED CONCRETE FLAT-TOPPED THREE-SIDED CULVERT WITH PRECAST WINGWALLS	
SPAN: 14'-0" F/F CULVERT	
ROADWAY: 34'-0" F/F RAILS	
ALIGNMENT: 1°19'11" CURVED TO THE RIGHT	
SUPERELEVATION: VARIES	
APPROACH SLAB: NONE	
SKEW: 0°	
WEARING SURFACE: ASPHALT CONCRETE	
LOADING: HL93	
FUTURE WEARING SURFACE: 60 PSF	
SFN: 3006914	



DESIGN SPECIFICATIONS:

THIS STRUCTURE CONFORMS TO THE "LRFD BRIDGE DESIGN SPECIFICATIONS" ADOPTED BY THE AMERICAN ASSOCIATION OF STATE HIGHWAY AND TRANSPORTATION OFFICIALS, 9TH EDITION AND THE ODOT BRIDGE DESIGN MANUAL.

DESIGN LOADING:

HL-93 WITH AN ALLOWANCE OF 0.06 KSF FUTURE WEARING SURFACE.

DESIGN STRESSES:

CAST-IN-PLACE STRUCTURES
CONCRETE CLASS "QC MISC." - $f'c = 4,000$ psi SUBSTRUCTURE
REINFORCING STEEL - ASTM A615, A616, OR A617
 $Fy = 60,000$ psi.

PROVIDE PRECAST GRAVITY AND SEMIGRAVITY WINGWALLS ACCORDING TO SS851.

REMOVAL OF EXISTING STRUCTURE:

PORTIONS OF THE EXISTING STRUCTURE SHALL BE REMOVED AS INDICATED.

FOUNDATION BEARING RESISTANCE:

WINGWALL AND CULVERT FOOTINGS, AS DESIGNED, PRODUCE A MAXIMUM SERVICE LIMIT STATE BEARING PRESSURE OF 3.0 KIPS PER SQUARE FOOT AND A MAXIMUM STRENGTH LIMIT STATE BEARING PRESSURE OF 4.5 KIPS PER SQUARE FOOT. THE FACTORED BEARING RESISTANCE IS 4.8 KIPS PER SQUARE FOOT.

THREE-SIDED CULVERT WALL AND TOP SLAB THICKNESS:

THE WALL AND TOP SLAB THICKNESSES SHOWN ON THE PLANS WERE OBTAINED FROM THE MANUFACTURERS AT THE TIME THE PLANS WERE PREPARED. IF THE WALL AND/OR TOP SLAB THICKNESS OF THE CULVERT PROPOSED ARE DIFFERENT FROM WHAT IS SHOWN IN THE PLANS, A MARKED COPY OF THE PROJECT PLANS, INCLUDING ALL PLAN NOTES AND DETAILS SHOWING ALL ITEMS AFFECTED BY THE DIFFERENT CULVERT DIMENSIONS, SHALL BE SUBMITTED FOR APPROVAL WITH THE SHOP DRAWINGS. ALL WORK REQUIRED TO ACCOMMODATE ANY REVISED DIMENSIONS SHALL BE AT NO EXTRA COST TO THE STATE.

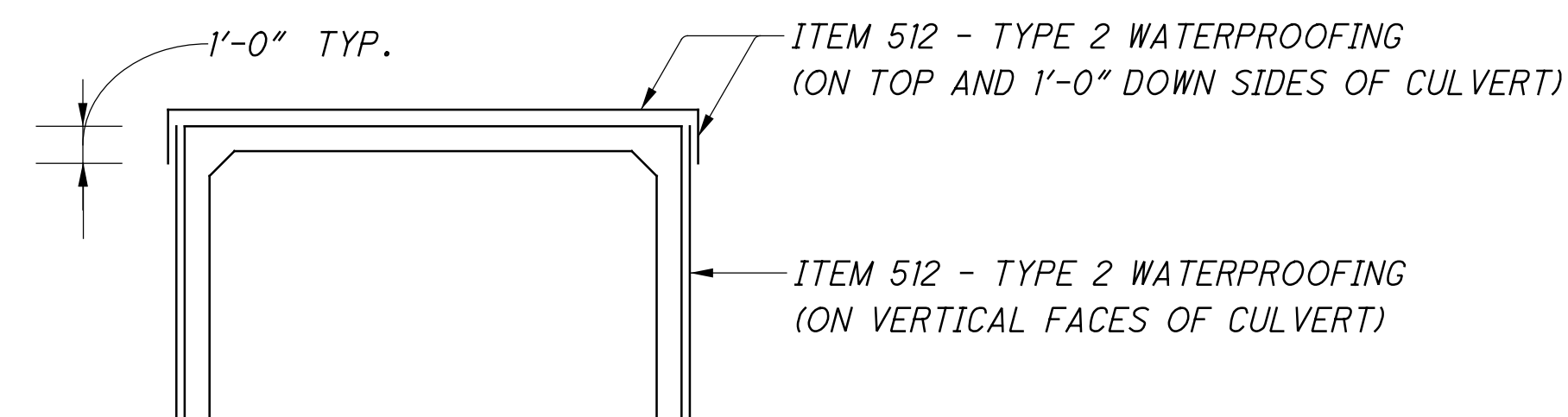
ITEM 512, TYPE 2 WATERPROOFING:

MEMBRANE WATERPROOFING (SHEET TYPE 2) SHALL BE APPLIED TO THE TOP SURFACE OF THE PRECAST CULVERT SECTIONS AND SHALL EXTEND VERTICALLY DOWN ALL SIDES FORTH PORTIONS OF THE CULVERT WHICH SHALL BE IN CONTACT WITH THE BACKFILL. THE EXTERIOR JOINT GAP ON THE TOP AND SIDES BETWEEN THE PRECAST CULVERT SECTIONS SHALL BE FILLED WITH PORTLAND CEMENT MORTAR PRIOR TO INSTALLING THE MEMBRANE WATERPROOFING. JOINT WRAP AS SPECIFIED IN 611.08 AND CONCRETE SEALING AS SPECIFIED IN 611.09 ARE NOT REQUIRED UNDER THE LIMITS OF THE MEMBRANE WATERPROOFING. PAYMENT FOR THE MEMBRANE WATERPROOFING SHALL BE AT THE CONTRACT PRICE BID PER SQUARE YARD FOR ITEM 512, TYPE 2 WATERPROOFING.

ITEM 511 - CLASS QC1 CONCRETE, HEADWALL:

THE QUANTITY SHOWN FOR THIS PAY ITEM REPRESENTS THE FORESLOPE WALL LOCATED ATOP EACH END OF THE CONDUIT.

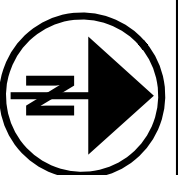
WHEN SEALING OF CONCRETE SURFACES (EPOXY) IS SPECIFIED ON THE HEADWALLS OF A PRECAST CONCRETE BOX CULVERT, ANY PRECAST CULVERT SECTIONS BEYOND THE LIMIT OF THE MEMBRANE WATERPROOFING SHALL BE SEALED USING EPOXY SEALER. PAYMENT FOR THE SEALING OF THE PRECAST CONCRETE BOX SURFACES SHALL BE MADE AT THE CONTRACT PRICE BID PER SQUARE YARD FOR ITEM 512 - SEALING OF CONCRETE SURFACES (EPOXY URETHANE).



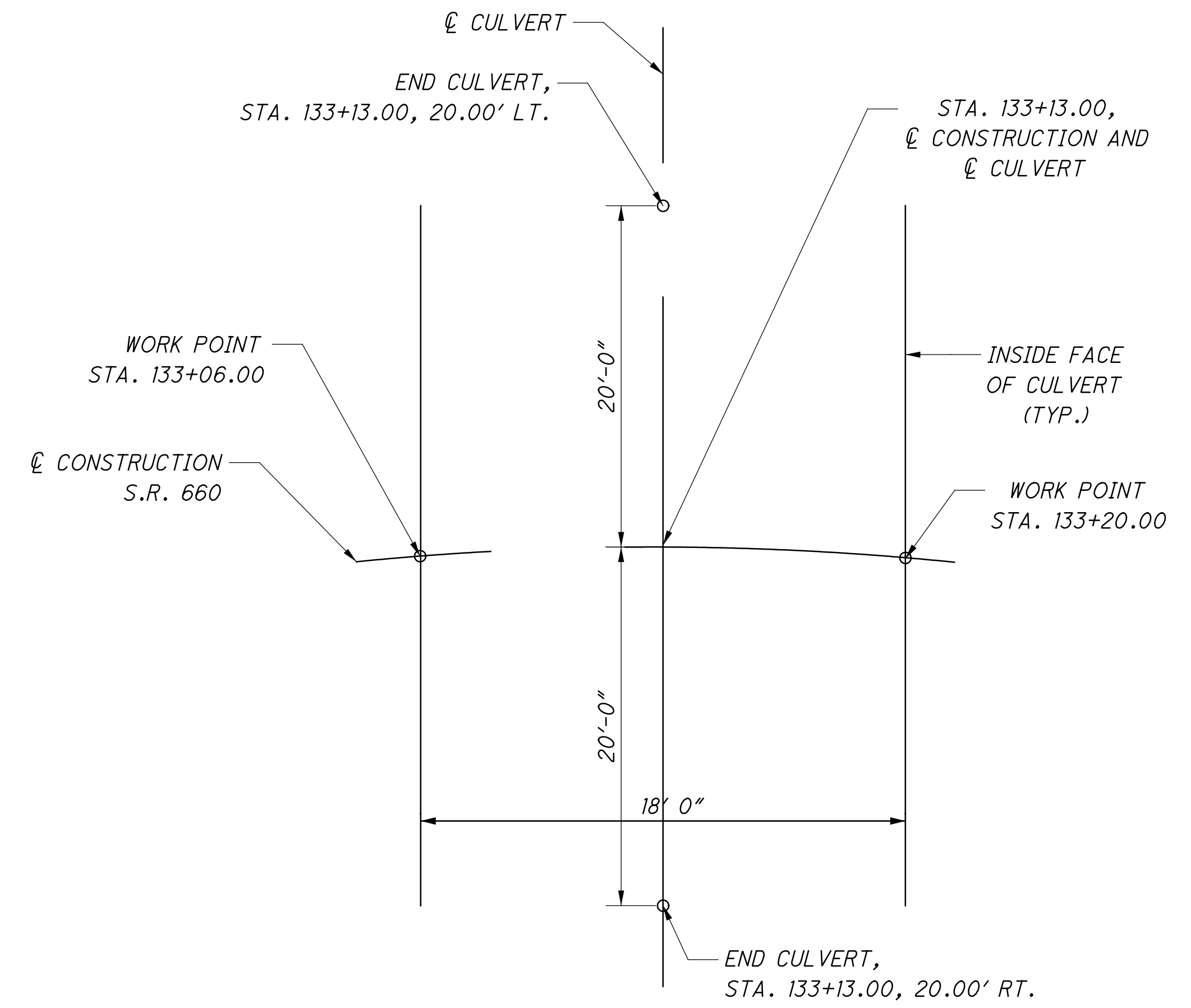
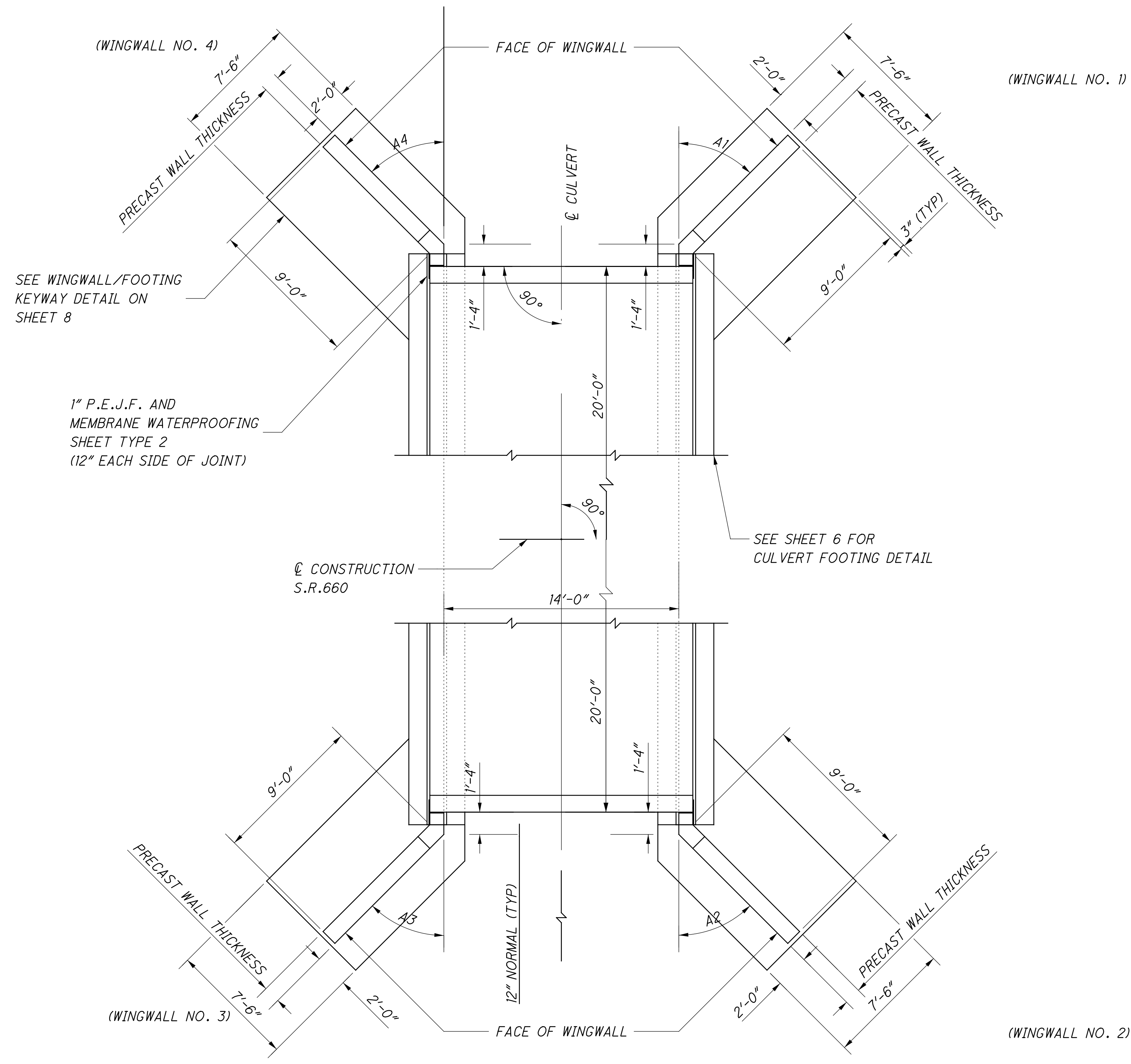
GENERAL SUMMARY (GUE - 660 - 2.52)				
ITEM	ITEM EXT.	TOTAL	UNIT	DESCRIPTION
202	11000	LS	LUMP	STRUCTURE REMOVED
503	21100	67	CY	UNCLASSIFIED EXCAVATION
509	10000	3481	LB	EPOXY COATED REINFORCING STEEL
511	46510	54	CY	CLASS QC1 CONCRETE, FOOTING
511	46610	1	CY	CLASS QC1 CONCRETE, HEADWALL
512	33000	128	SY	TYPE 2 WATERPROOFING
512	10100	34	SY	SEALING OF CONCRETE SURFACES (EPOXY URETHANE)
516	13600	27	SF	1" PREFORMED EXPANSION JOINT FILLER
601	32100	57	CY	ROCK CHANNEL PROTECTION, TYPE B WITH FILTER
601	34200	43	CY	ROCK CHANNEL PROTECTION, TYPE C WITHOUT FILTER
611	70000	40	FT	CONDUIT, TYPE A, PRECAST REINFORCED CONCRETE FLAT TOPPED, THREE SIDED CULVERT (14'-0" SPAN X 6'-0" RISE)
851	10000	12	SF	PRECAST GRAVITY AND SEMIGRAVITY RETAINING WALL
851	14000	2	DAYS	ON-SITE ASSISTANCE
851	15000	LS	LUMP	WALL DRAINAGE SYSTEM
851	15500	LS	LUMP	PGSRW INSPECTION AND COMPACTION TESTING

CULVERT ESTIMATED QUANTITIES
STA. 133+13.00

GUE - 660 - 2.52



CALCULATED
KEW
CHECKED
JOH



REFERENCE DIAGRAM

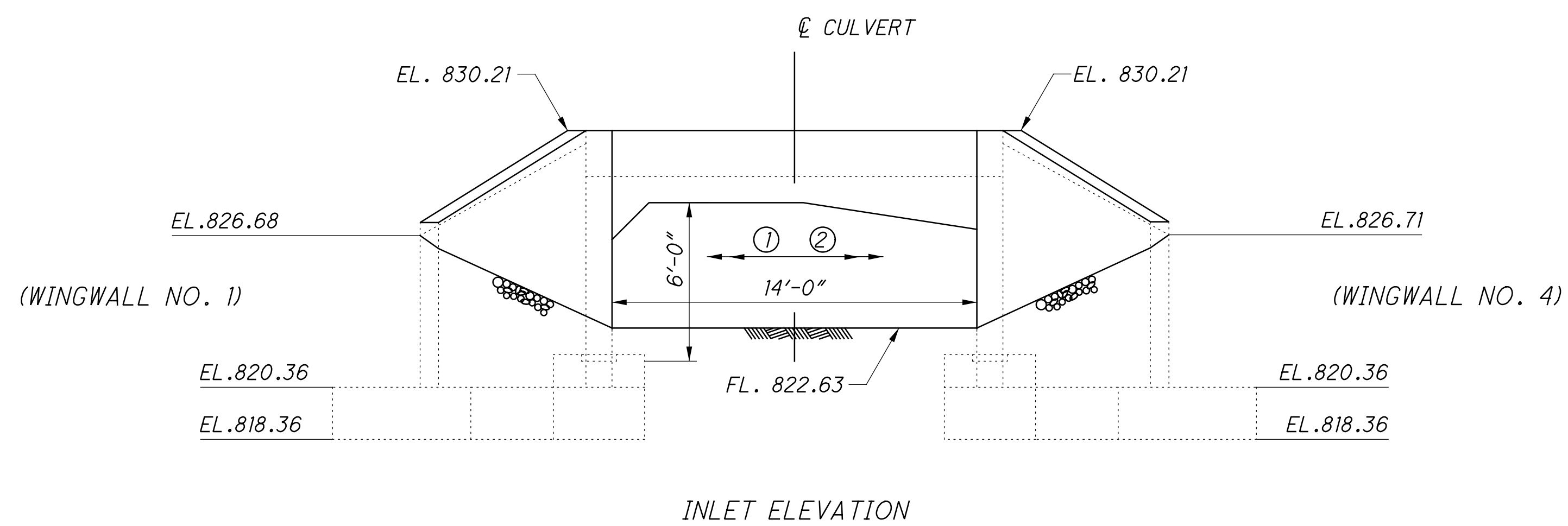
WINGWALL ANGLES	
A1	45°0'0"
A2	45°0'0"
A3	45°0'0"
A4	45°0'0"

CULVERT & WINGWALL LAYOUT

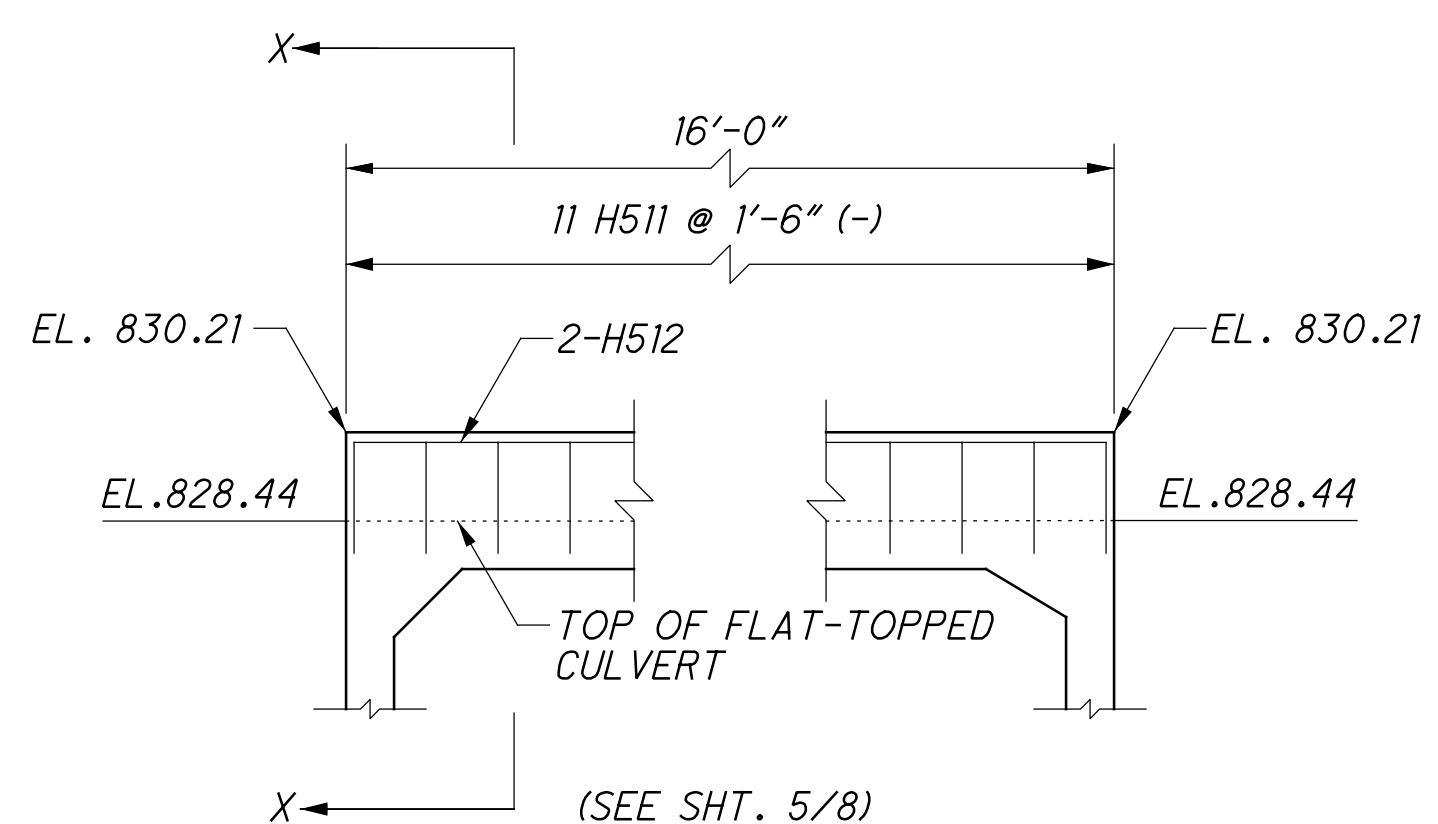
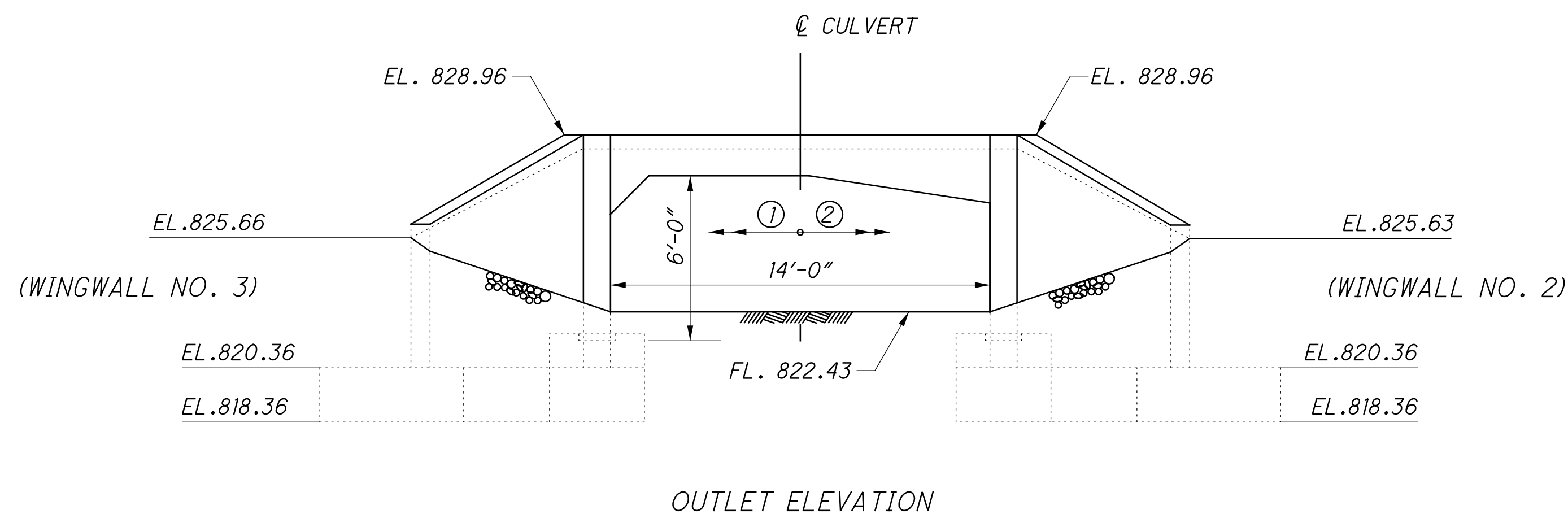
NOTE: SEE TABLE THIS SHEET FOR VALUES OF A1,A2,A3,A4

CULVERT LAYOUT
STA. 133+13.00

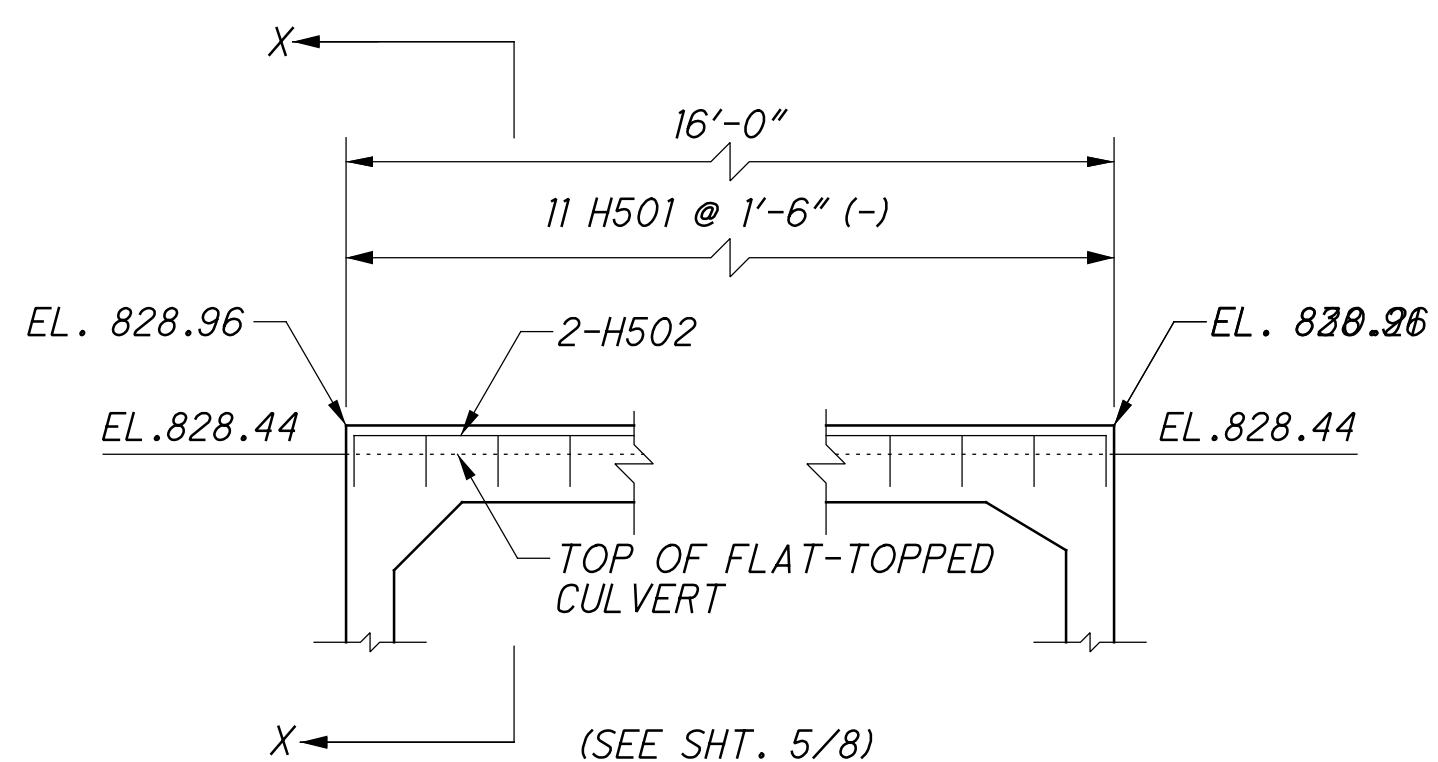
GUE-660-2.52



NOTE: ① - SHORT HAUNCH PRECAST UNIT
② - LONG HAUNCH PRECAST UNIT



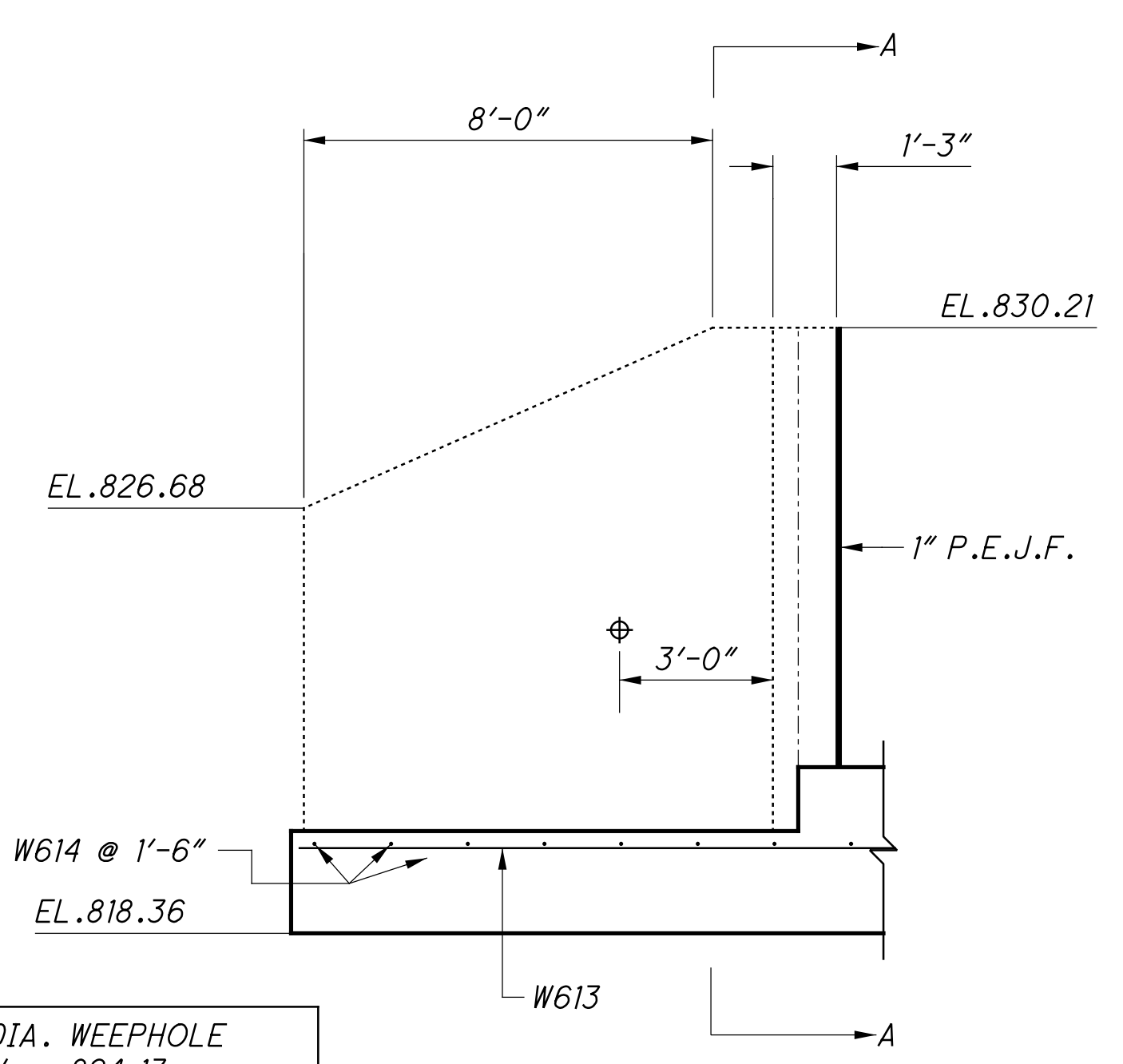
INLET FORESLOPE WALL REINFORCING DETAIL
(FOR FLAT-TOPPED CULVERTS ONLY)



OUTLET FORESLOPE WALL REINFORCING DETAIL
(FOR FLAT-TOPPED CULVERTS ONLY)

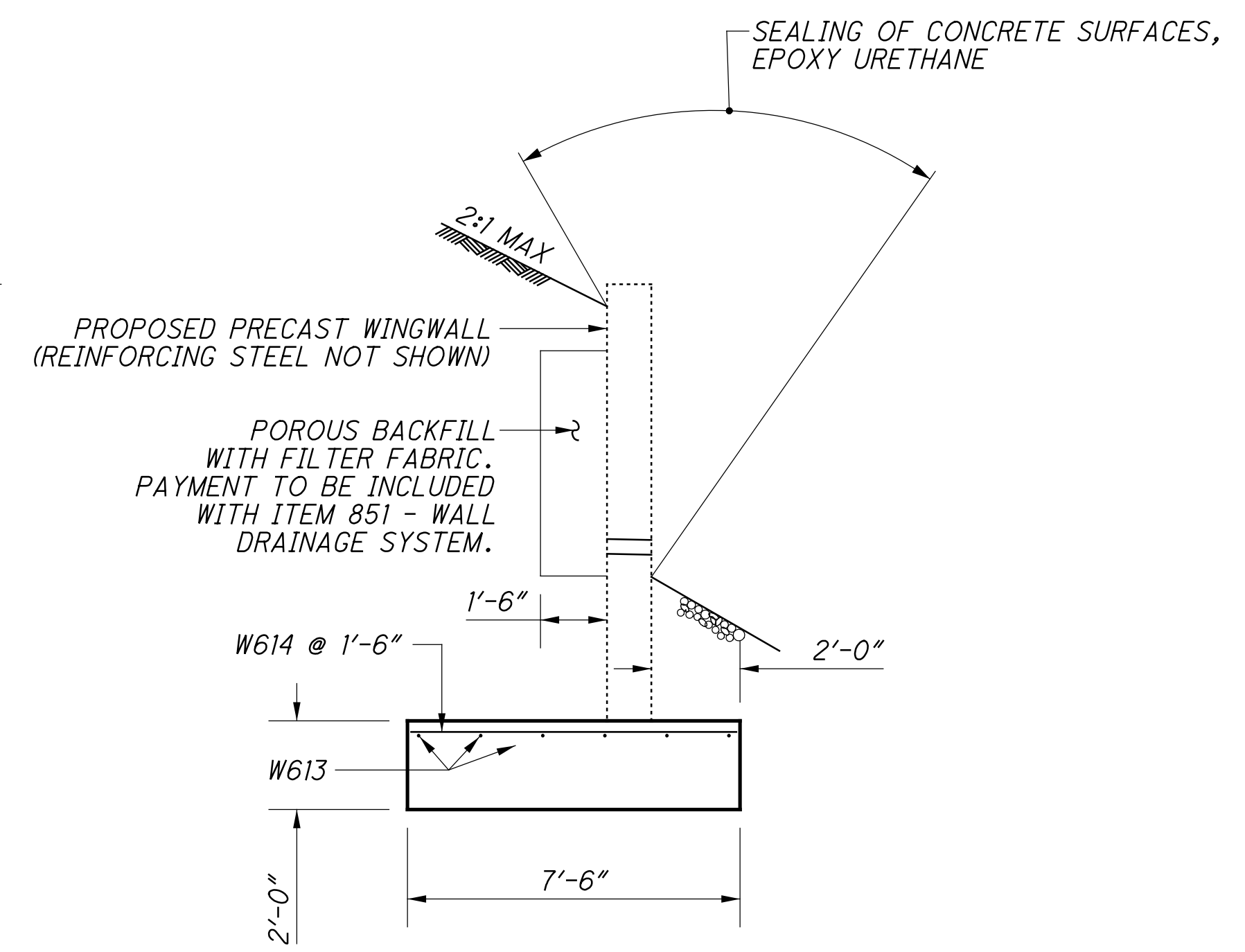
CULVERT ELEVATION
STA. 133+13.00

GUE-660-2.52

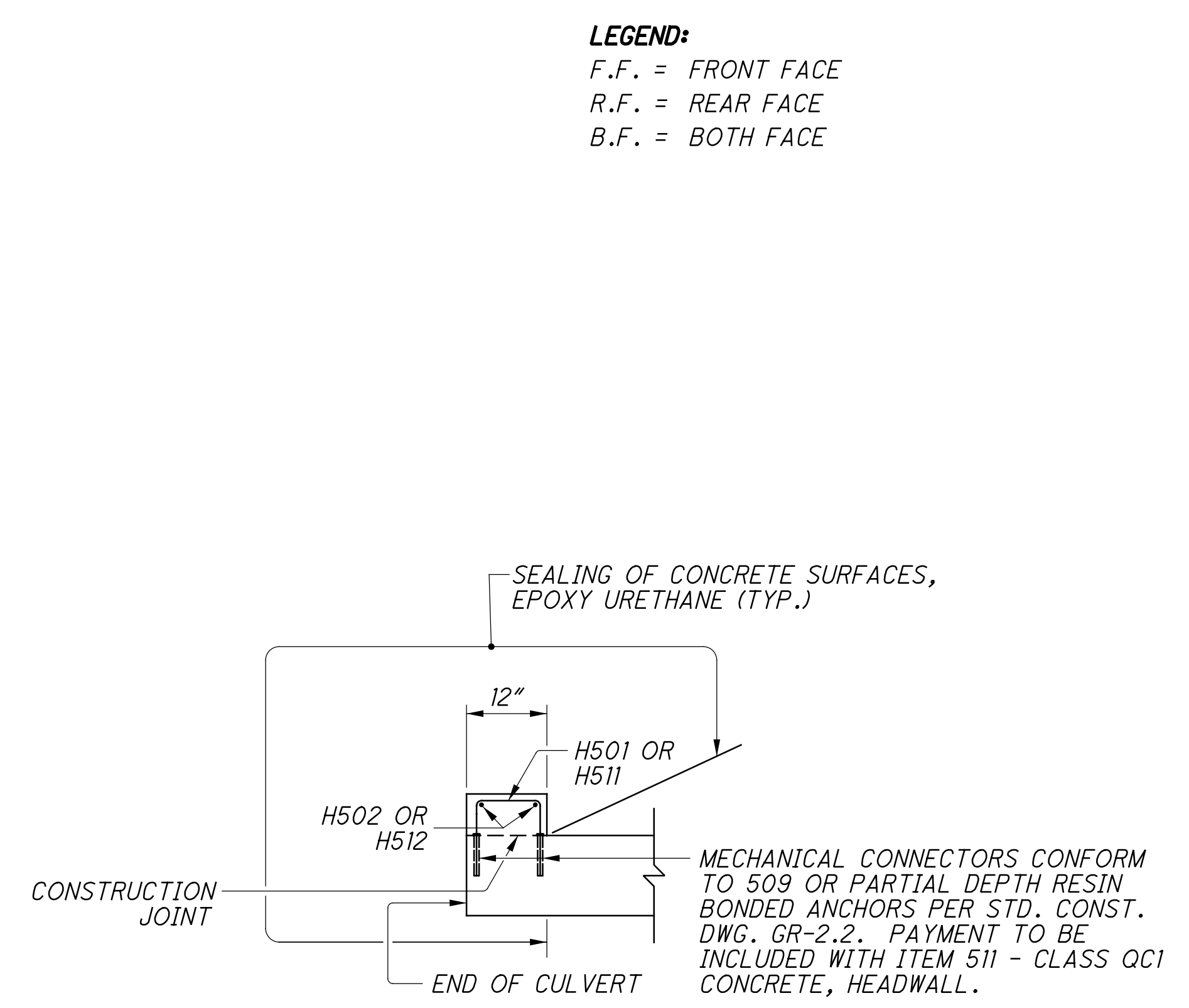


WINGWALL 1 ELEVATION

NOTE: 4" DIA. WEEPHOLE
ELEV. = 824.13



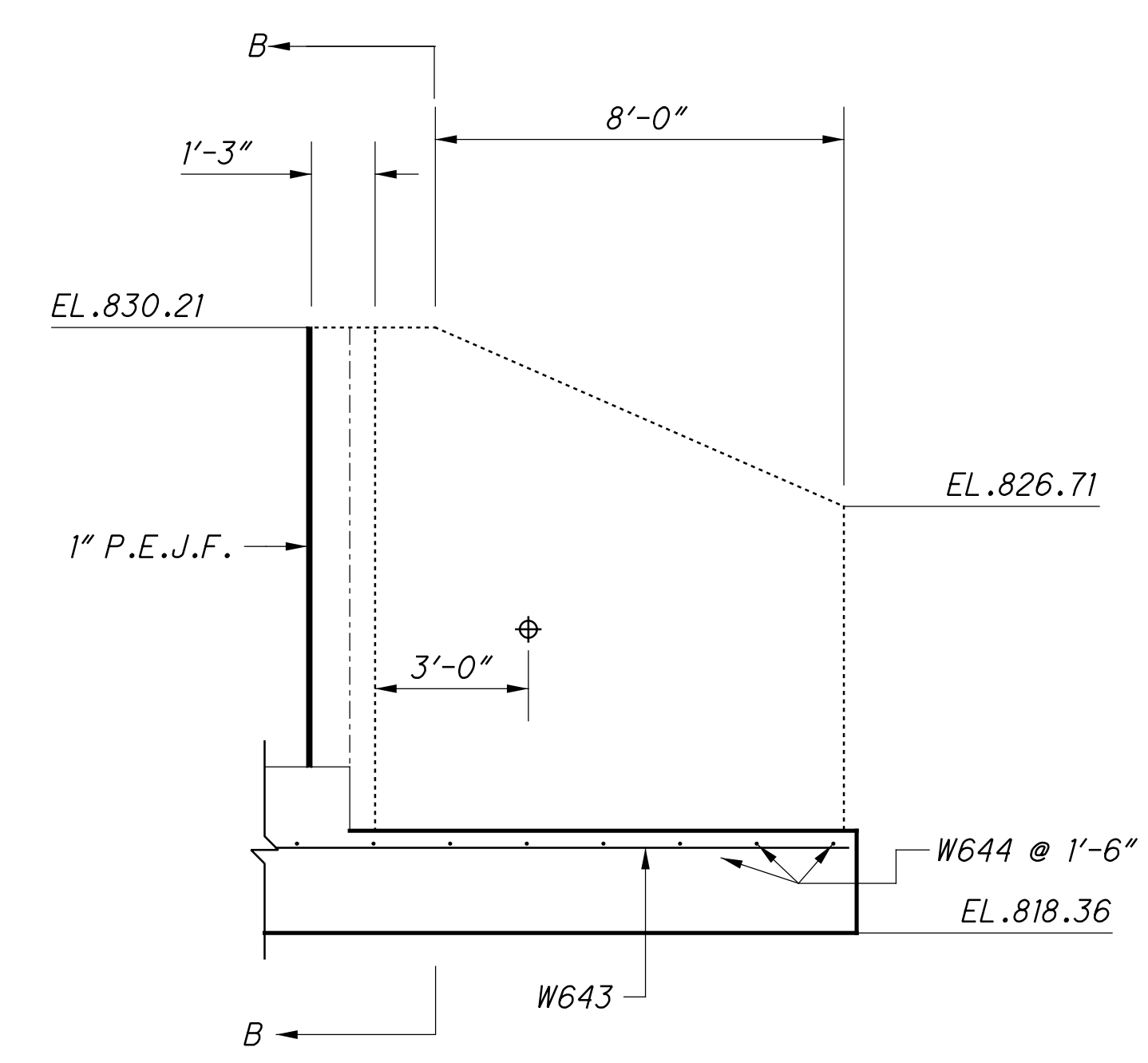
SECTION A-A



SECTION X-X
FORESLOPE WALL

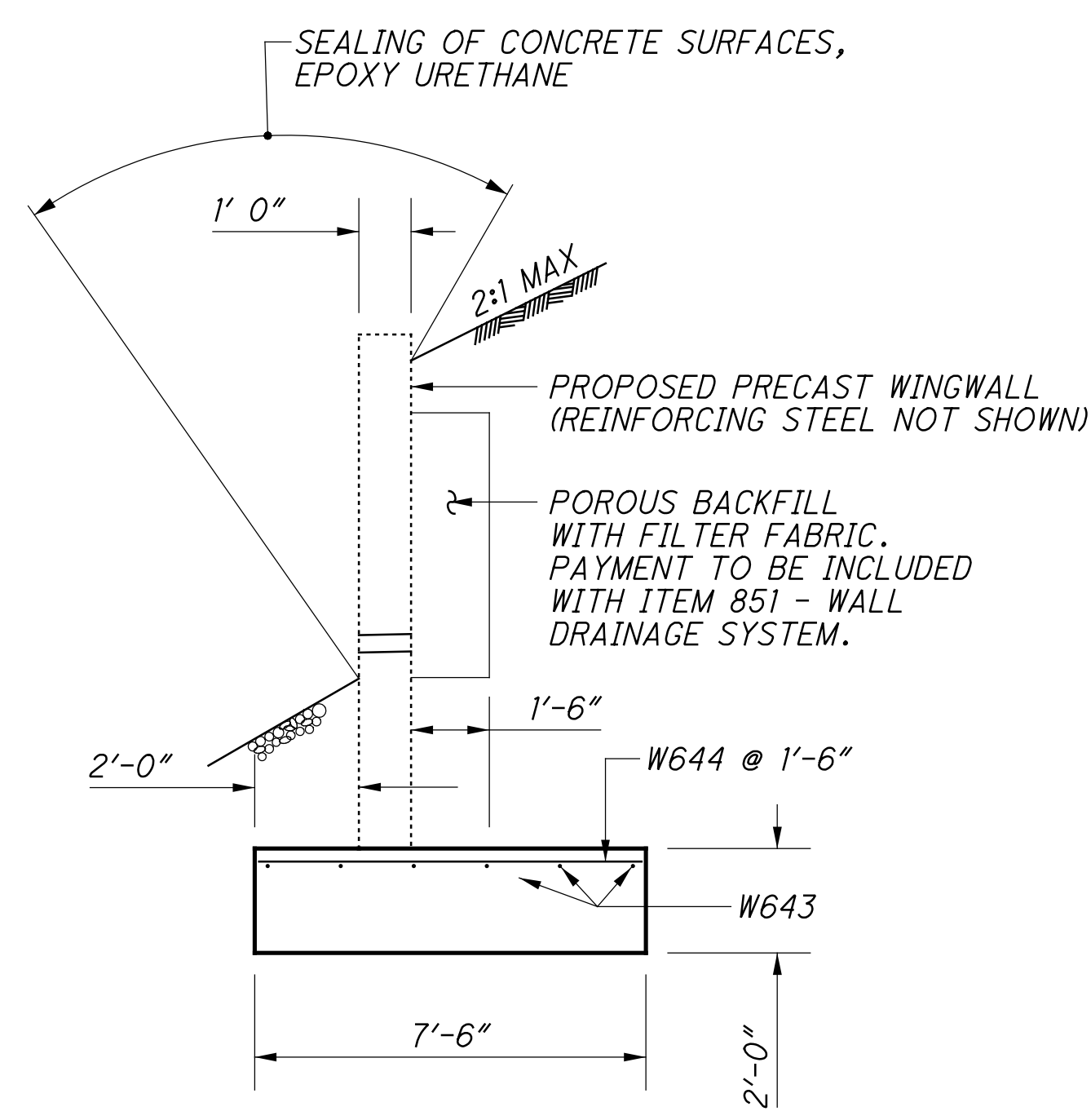
LEGEND:
F.F. = FRONT FACE
R.F. = REAR FACE
B.F. = BOTH FACE

MECHANICAL CONNECTORS CONFORM TO 509 OR PARTIAL DEPTH RESIN BONDED ANCHORS PER STD. CONST. DWG. GR-2.2. PAYMENT TO BE INCLUDED WITH ITEM 511 - CLASS QC1 CONCRETE, HEADWALL.



WINGWALL 4 ELEVATION

NOTE: 4" DIA. WEEPHOLE
ELEV. = 824.14

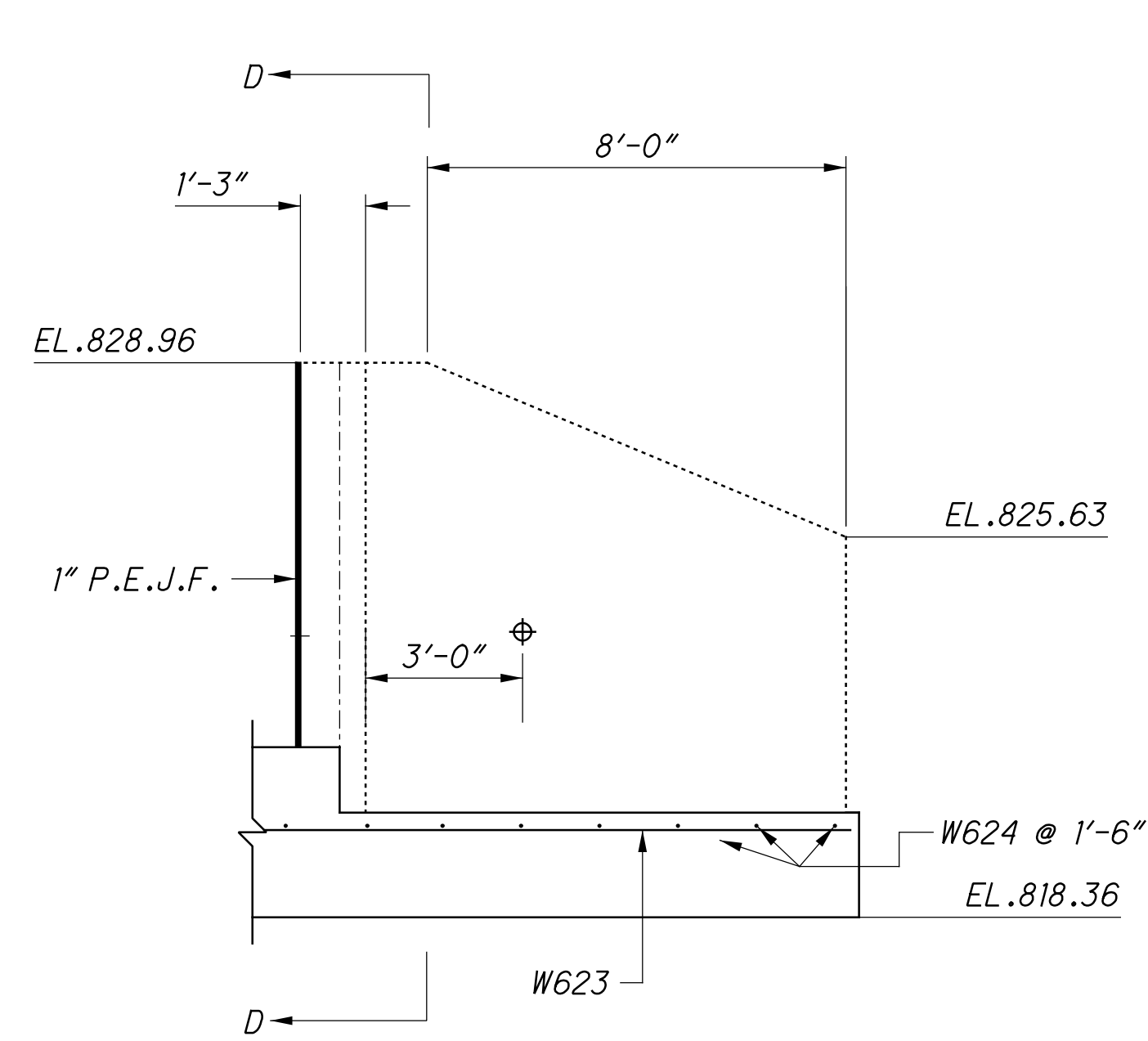


SECTION B-B

NOTES:

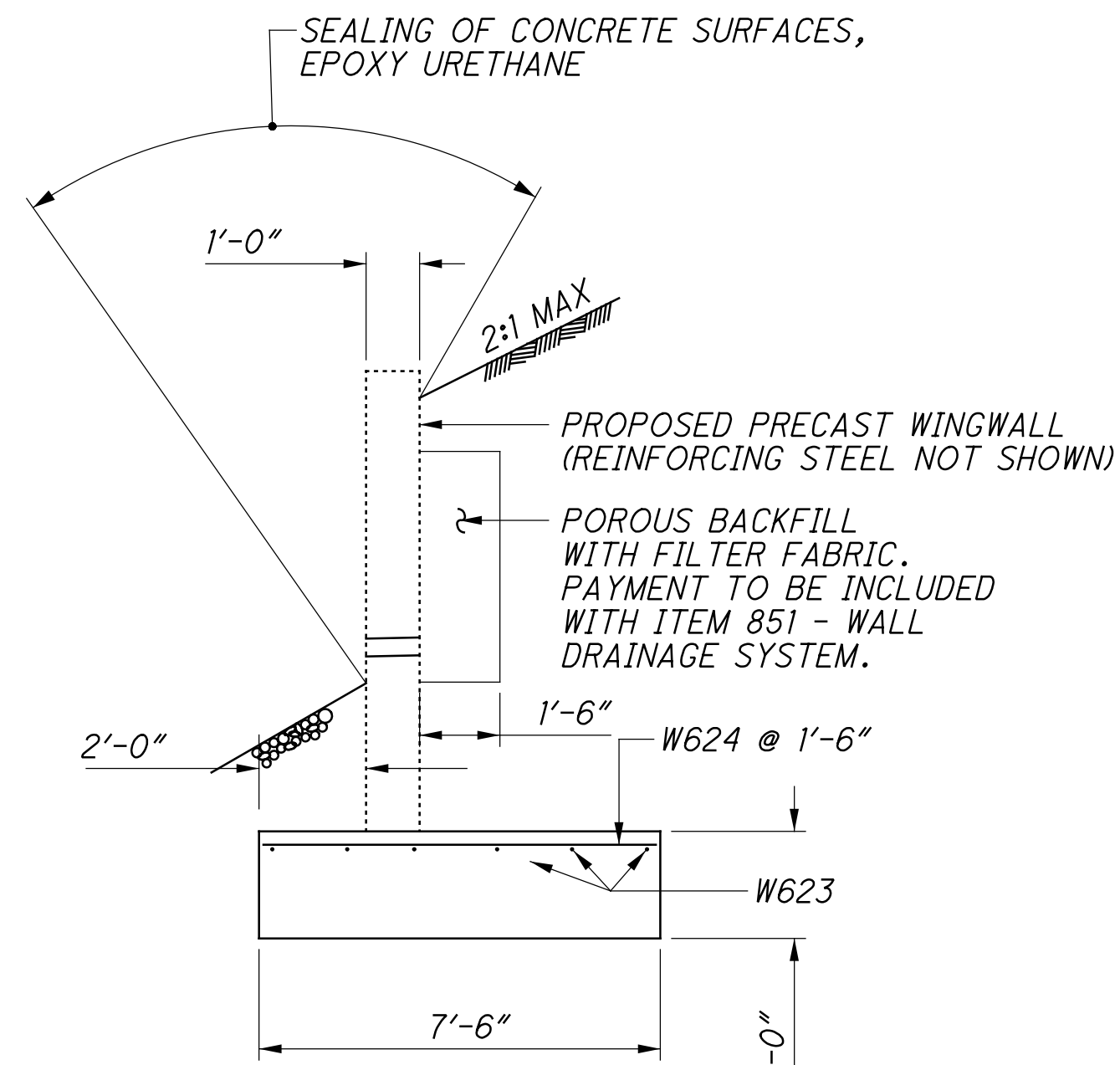
1. POROUS BACKFILL WITH FILTER FABRIC 1'-6" THICK SHALL BE PLACED BEHIND THE WINGWALLS ONLY AND SHALL EXTEND 1'-0" BELOW THE EMBANKMENT SURFACE. GEOTEXTILE FABRIC SHALL BE PLACED BETWEEN THE POROUS BACKFILL AND REPLACED EXCAVATION ADJACENT TO THE STRUCTURE. IT SHALL TURN UNDER THE BOTTOM OF THE POROUS BACKFILL, AND RETURN 6" ABOVE THE WEEPHOLE. PAYMENT IS INCLUDED WITH ITEM 851 - WALL DRAINAGE SYSTEM.
2. 1" PREFORMED EXPANSION JOINT FILLER SHALL BE EXTENDED FROM TOP OF FOOTING TO TOP OF WALL.

LEGEND:
F.F. = FRONT FACE
R.F. = REAR FACE
B.F. = BOTH FACE

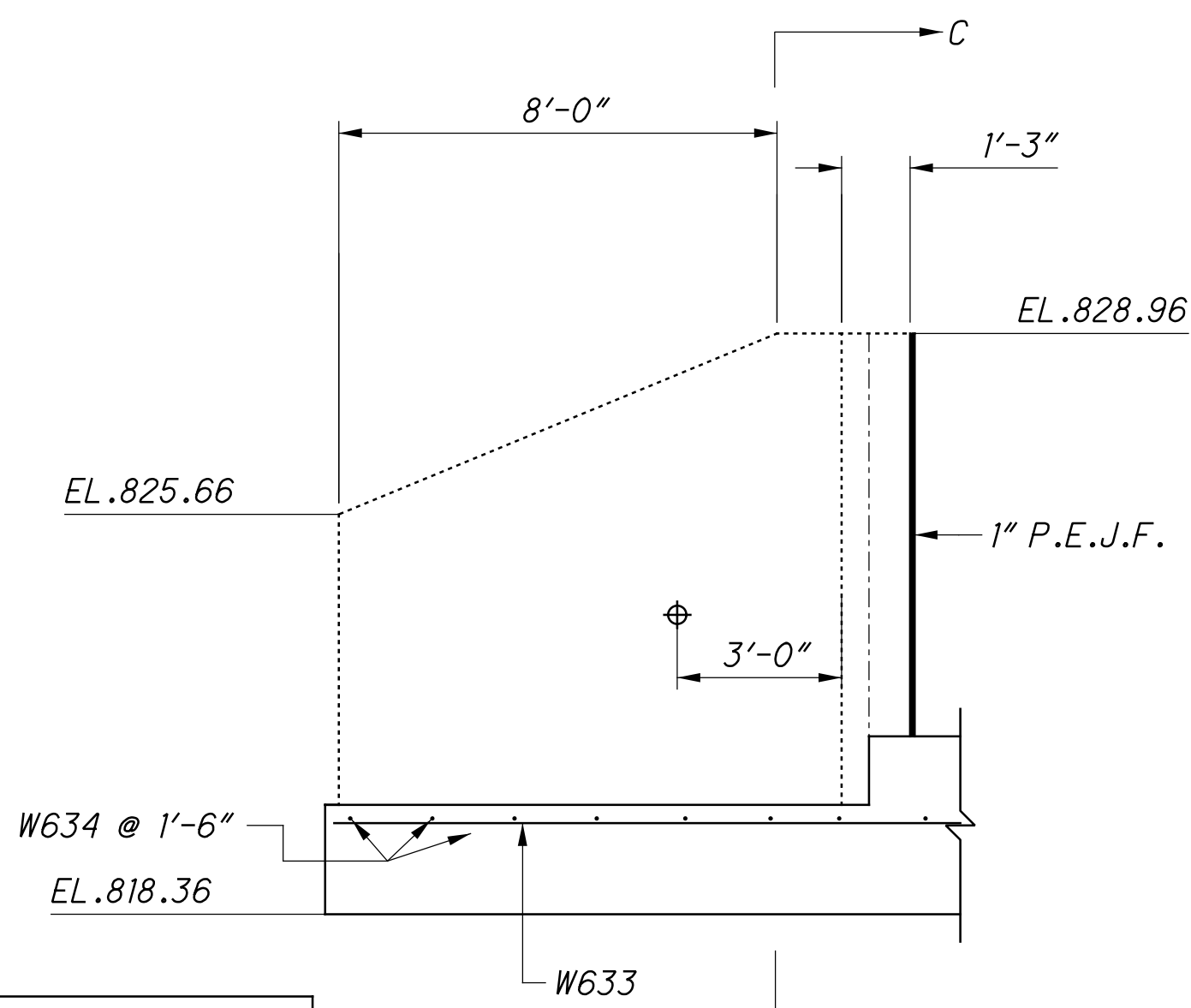


WINGWALL 2 ELEVATION

NOTE: 4" DIA. WEEPHOLE
ELEV. = 823.65

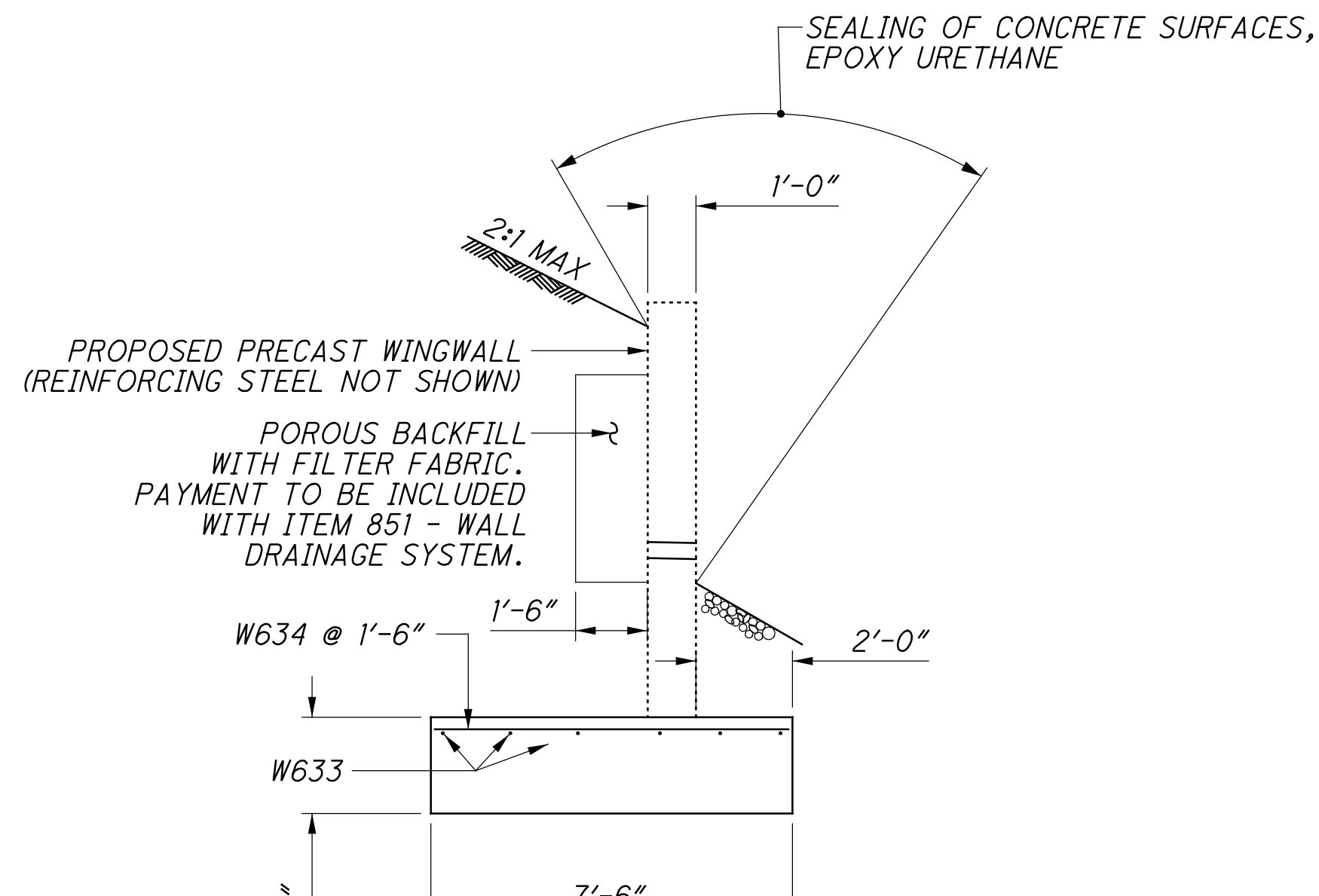


SECTION D-D

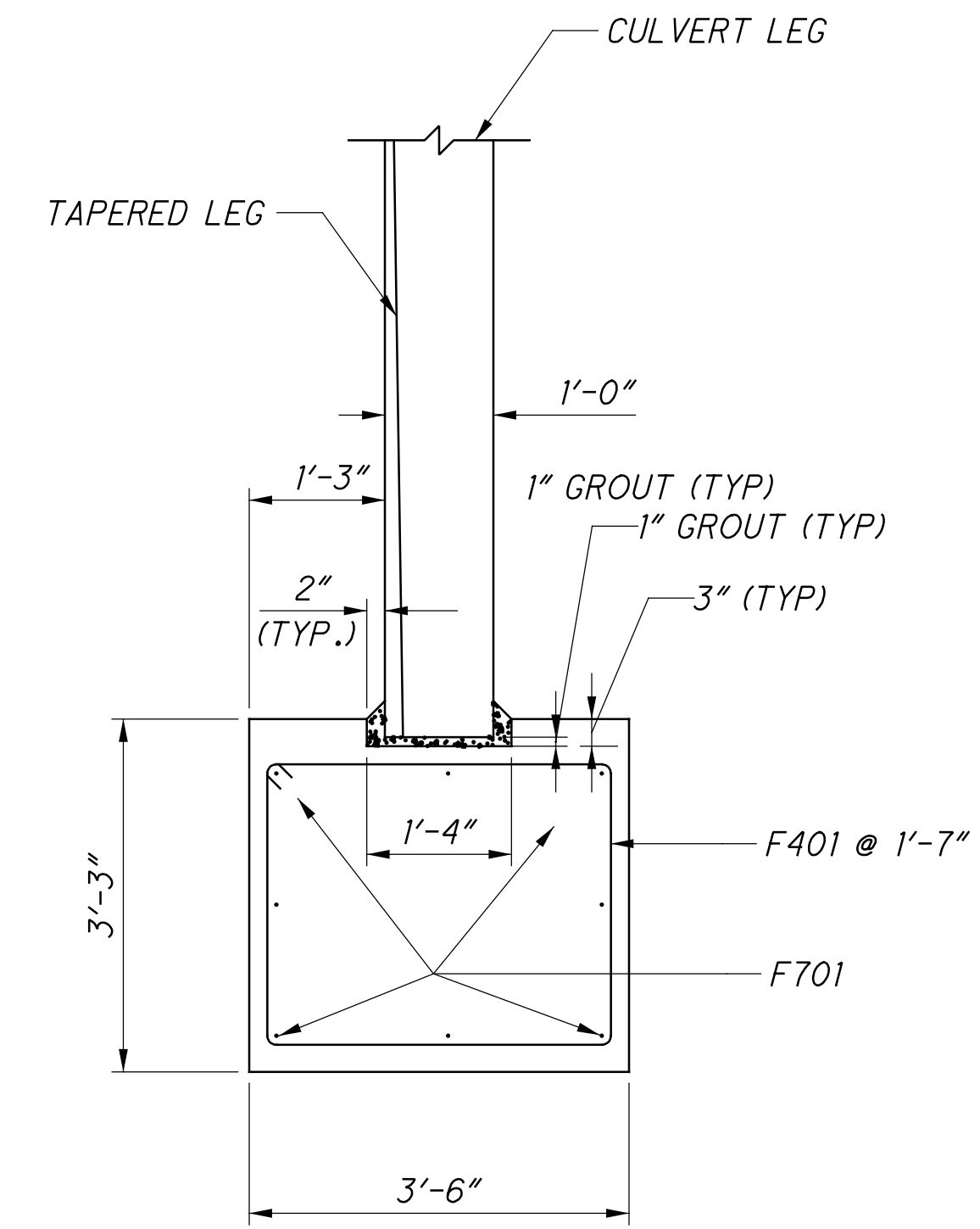


WINGWALL 3 ELEVATION

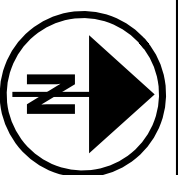
NOTE: 4" DIA. WEEPHOLE
ELEV. = 823.66



SECTION C-C



CULVERT FOOTING SECTION



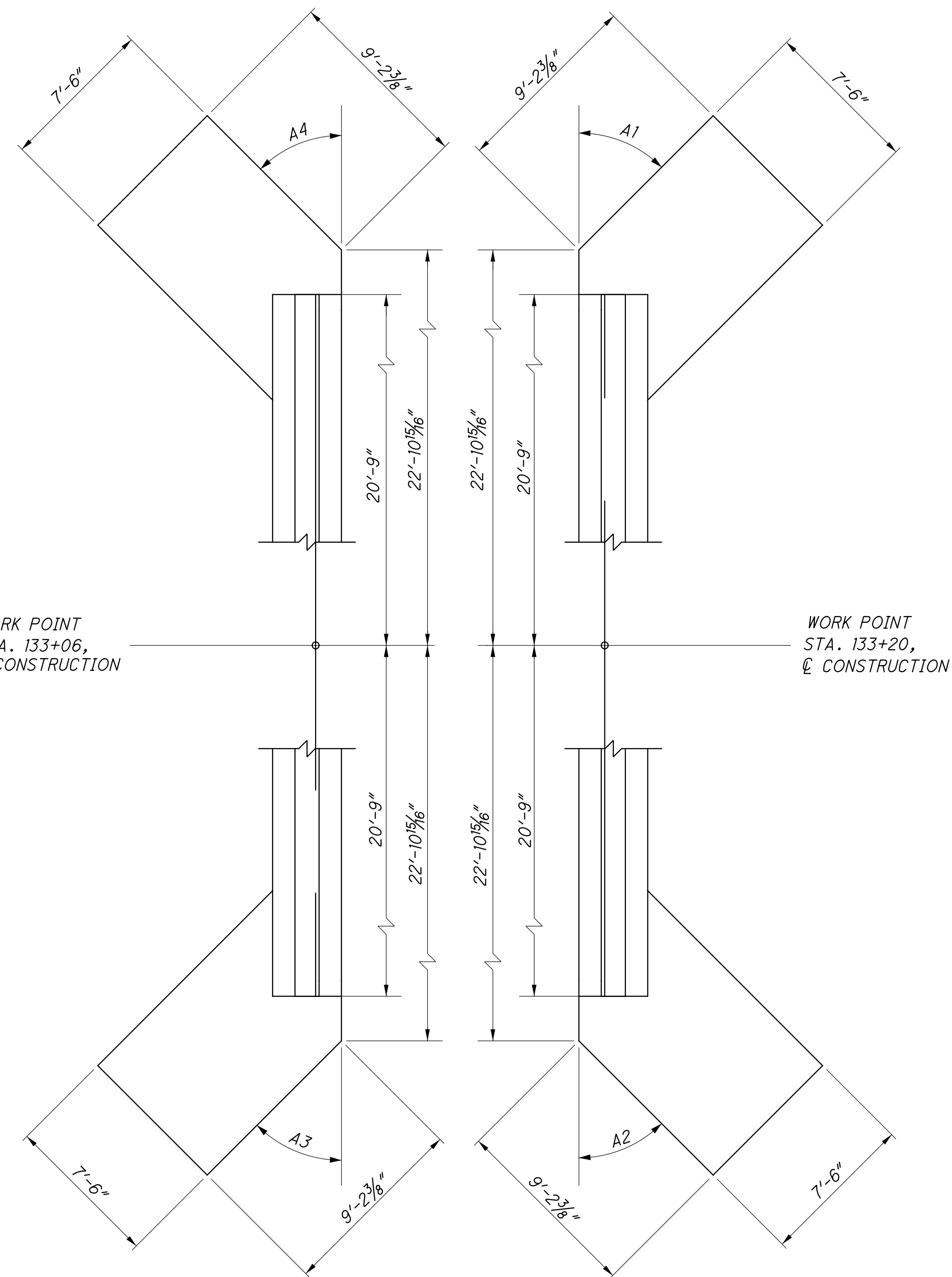
CALCULATED
KEW
CHECKED
JOH

FOOTING DETAILS
STA. 133+13.00

GUE-660-2.52

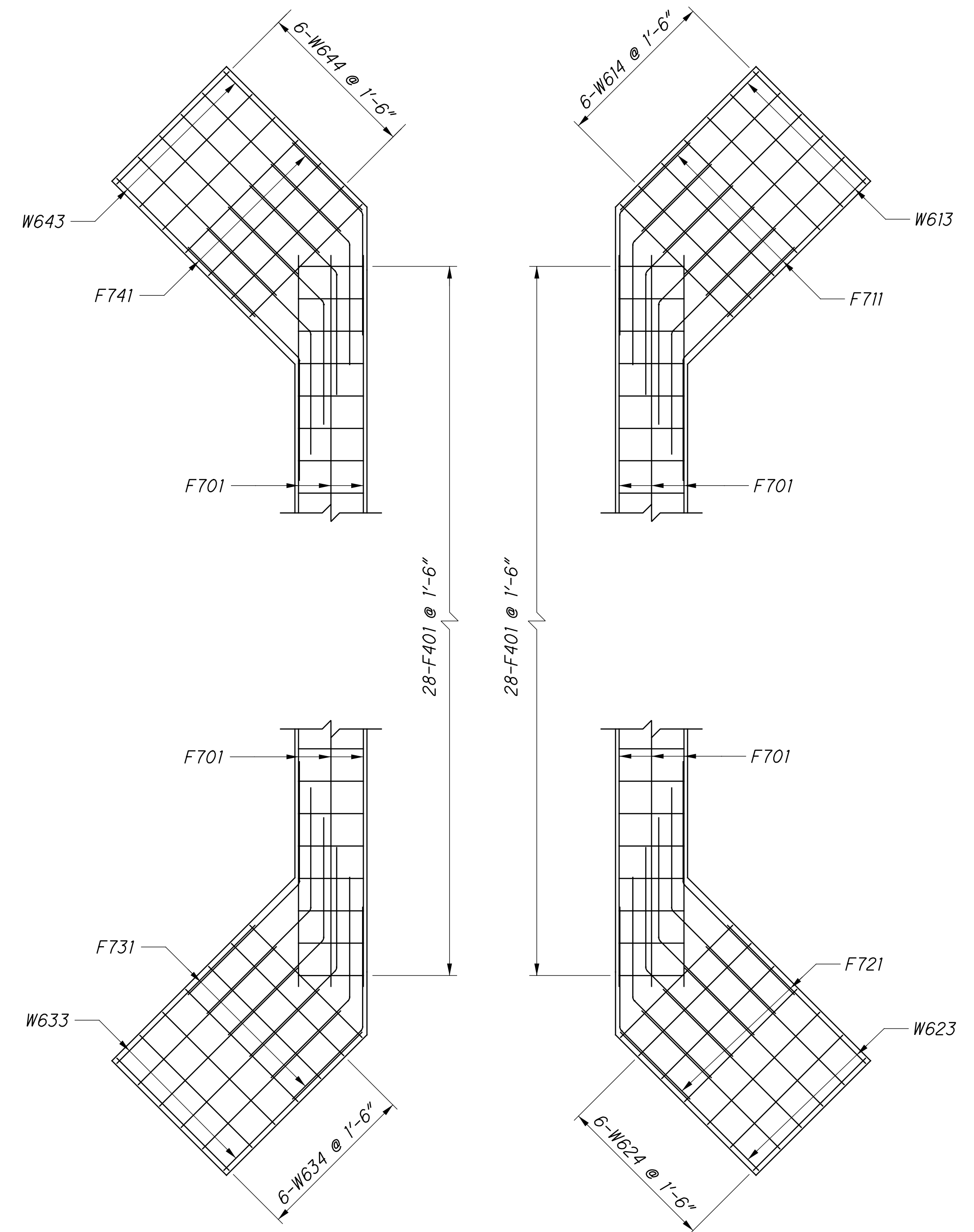
7/8

106
125



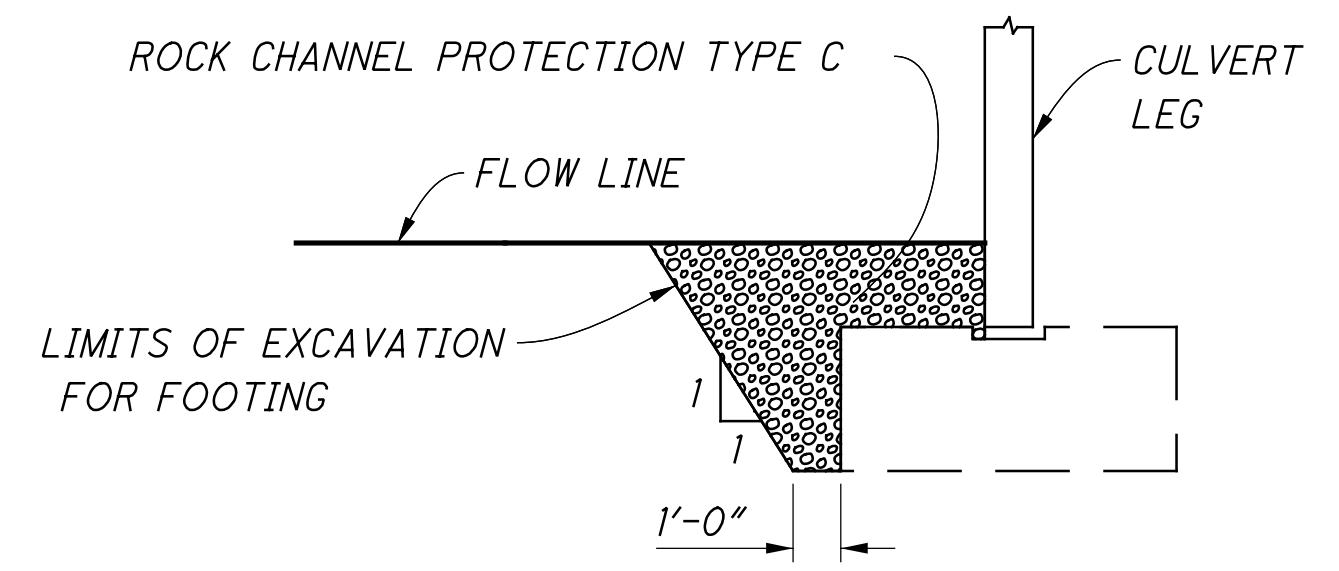
FOOTING LAYOUT

SEE TABLE ON SHEET 3 FOR VALUES OF A1 THRU A4

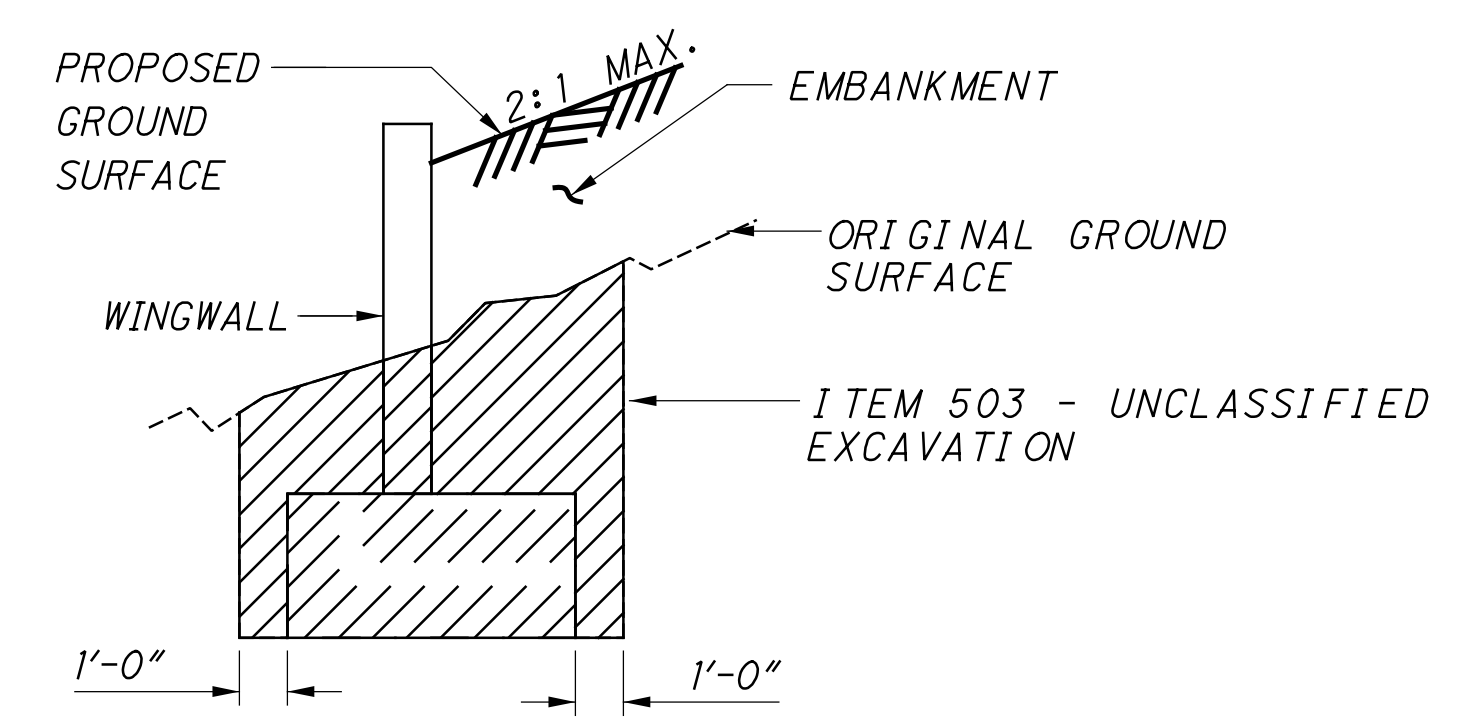


FOOTING REINFORCING PLAN

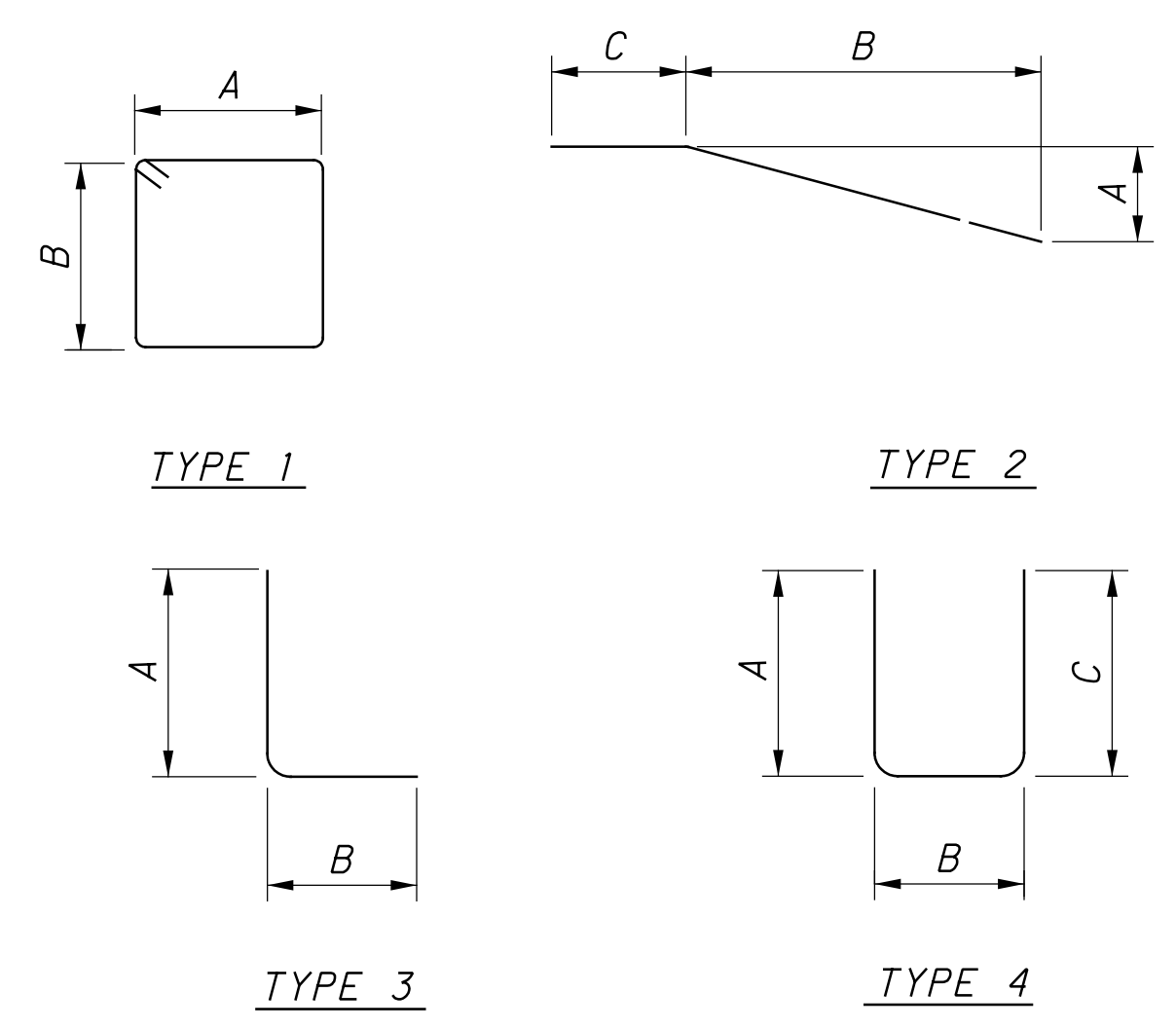
REINFORCING STEEL LIST



ROCK CHANNEL PROTECTION INSIDE CULVERT



LIMITS OF UNCLASSIFIED EXCAVATION ON WINGWALL



BENDING DIAGRAMS

MARK	NO.	LENGTH	WEIGHT	TYPE	A	B	C	INCR	REMARKS
WINGWALL 1									
W613	9	9'-0"	81	STR					
W614	6	7'-4"	66	STR					
WINGWALL 2									
W623	9	9'-0"	81	STR					
W624	6	7'-4"	66	STR					
WINGWALL 3									
W633	9	9'-0"	81	STR					
W634	6	7'-4"	66	STR					
WINGWALL 4									
W643	9	9'-0"	81	STR					
W644	6	7'-4"	66	STR					
SUBTOTAL			588						

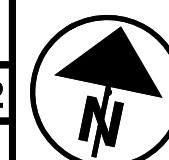
S.O. - SERIES OF

MARK	NO.	LENGTH	WEIGHT	TYPE	A	B	C	INCR	REMARKS
CULVERT FOOTING									
F401	56	12'-0"	449	1	3'-2"	2'-7"			
F701	32	21'-11"	1434	STR					
	1	10'-3"			3'-3"	3'-3"			
F711	S.O.	TO	214	2	TO	TO	5'-8"	0'-4"	
	9	13'-0"			5'-2"	5'-2"			
	1	10'-3"			3'-3"	3'-3"			
F721	S.O.	TO	214	2	TO	TO	5'-8"	0'-4"	
	9	13'-0"			5'-2"	5'-2"			
	1	10'-3"			3'-3"	3'-3"			
F731	S.O.	TO	214	2	TO	TO	5'-8"	0'-4"	
	9	13'-0"			5'-2"	5'-2"			
	1	10'-3"			3'-3"	3'-3"			
F741	S.O.	TO	214	2	TO	TO	5'-8"	0'-4"	
	9	13'-0"			5'-2"	5'-2"			
HEADWALL									
H501	11	2'-7"	30	4	1'-1"	0'-8"	1'-1"		
H502	2	15'-10"	33	STR					
H511	11	5'-1"	58	4	2'-4"	0'-8"	2'-4"		
H512	2	15'-10"	33	STR					
SUBTOTAL			2893						

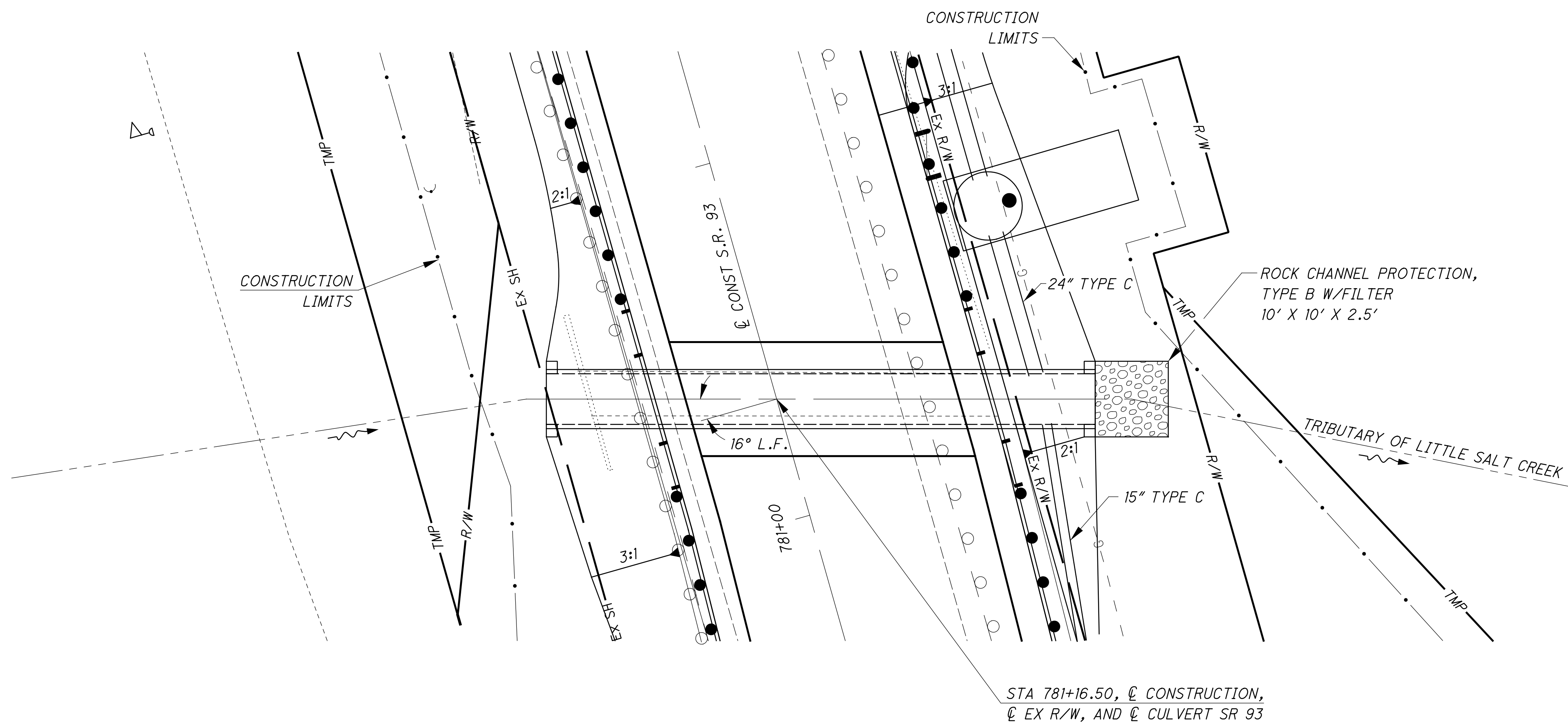
TOTAL CARRIED TO SHEET 2 OF 8

REINFORCING SCHEDULE
STA. 133+13.00

GUE-660-2.52



0 5 10 20
HORIZONTAL
SCALE IN FEET



ESTIMATED QUANTITIES			
ITEM	QUANTITY	UNIT	DESCRIPTION
601	9	CY	ROCK CHANNEL PROTECTION, TYPE B WITH FILTER
602	3.3	CY	CONCRETE MASONRY
611	75	FT	53" X 83" CONDUIT, TYPE A, 706.04

QUANTITIES CARRIED TO GENERAL SUMMARY

HYDRAULIC DATA

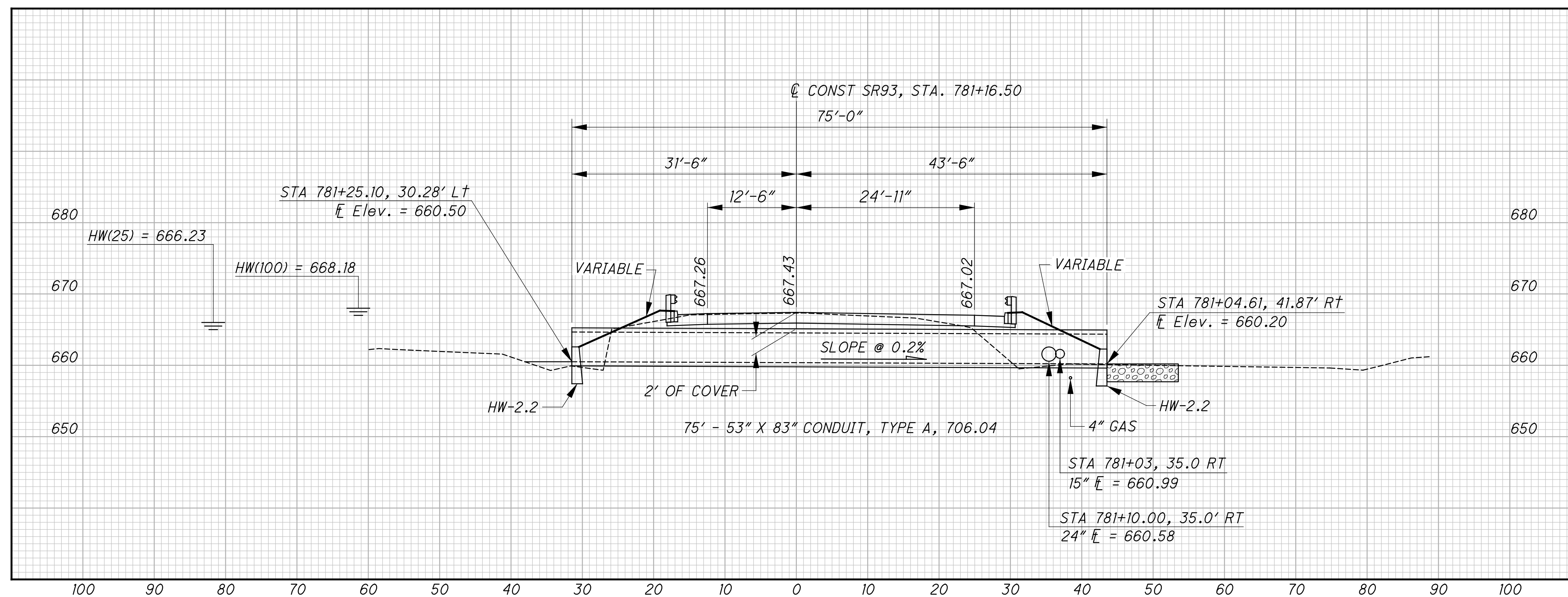
DRAINAGE AREA = 344 ACRES
 Q (25) = 230 CFS V (25) = 11 FT/S HW (25) = 666.24 FT
 Q (100) = 325 CFS V (100) = 13 FT/S HW (100) = 668.81 FT
 ORDINARY HIGH WATER MARK: 661.0 FT
 DESIGN SERVICE LIFE: 75 YRS
 pH: 6.8
 ABRASION LEVEL: 4
 CFN: 1234567

EXISTING STRUCTURE

TYPE: 48" AND 54" CORRUGATED METAL PIPES
 SKEW: 16° L.F.
 ALIGNMENT: TANGENT
 CFN: 7654321

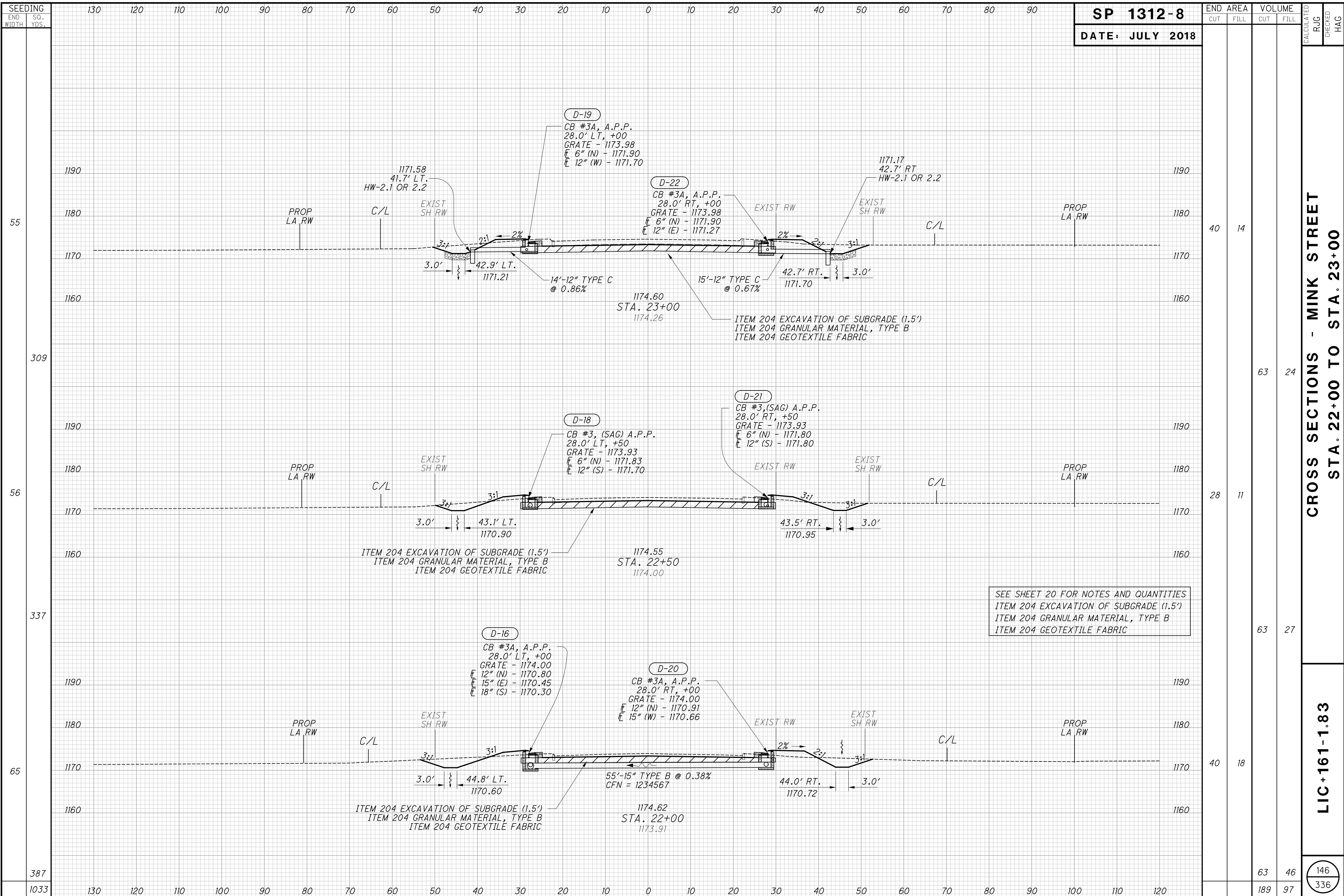
PROPOSED STRUCTURE

TYPE: 53" X 83" ELLIPTICAL CONCRETE PIPE
 SKEW: 16° L.F.
 ALIGNMENT: TANGENT
 CFN: 1234567



CULVERT DETAIL
STA 781+16.50

JAC-93-14.35



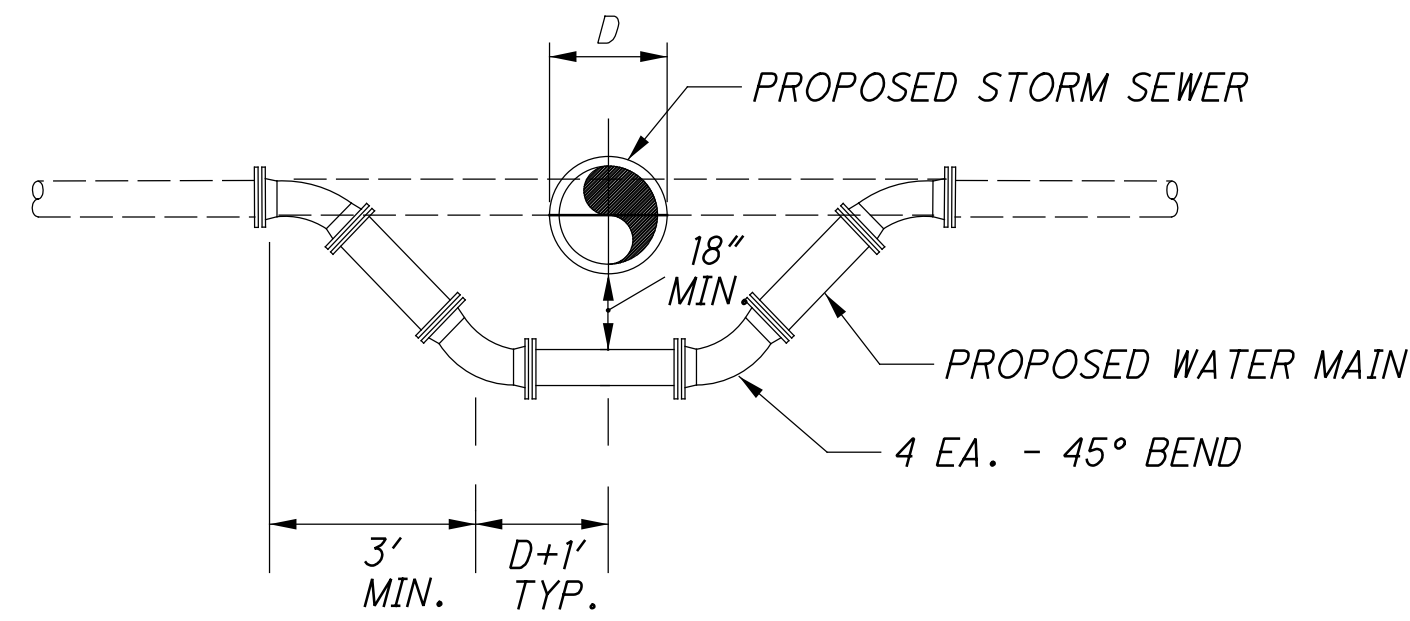
SP 1312-8
DATE: JULY 2018

END AREA	VOLUME	CALCULATED	CHECKED	HAG
40	14			
63	24			
28	11			
63	27			
40	18			
63	46			
189	97			

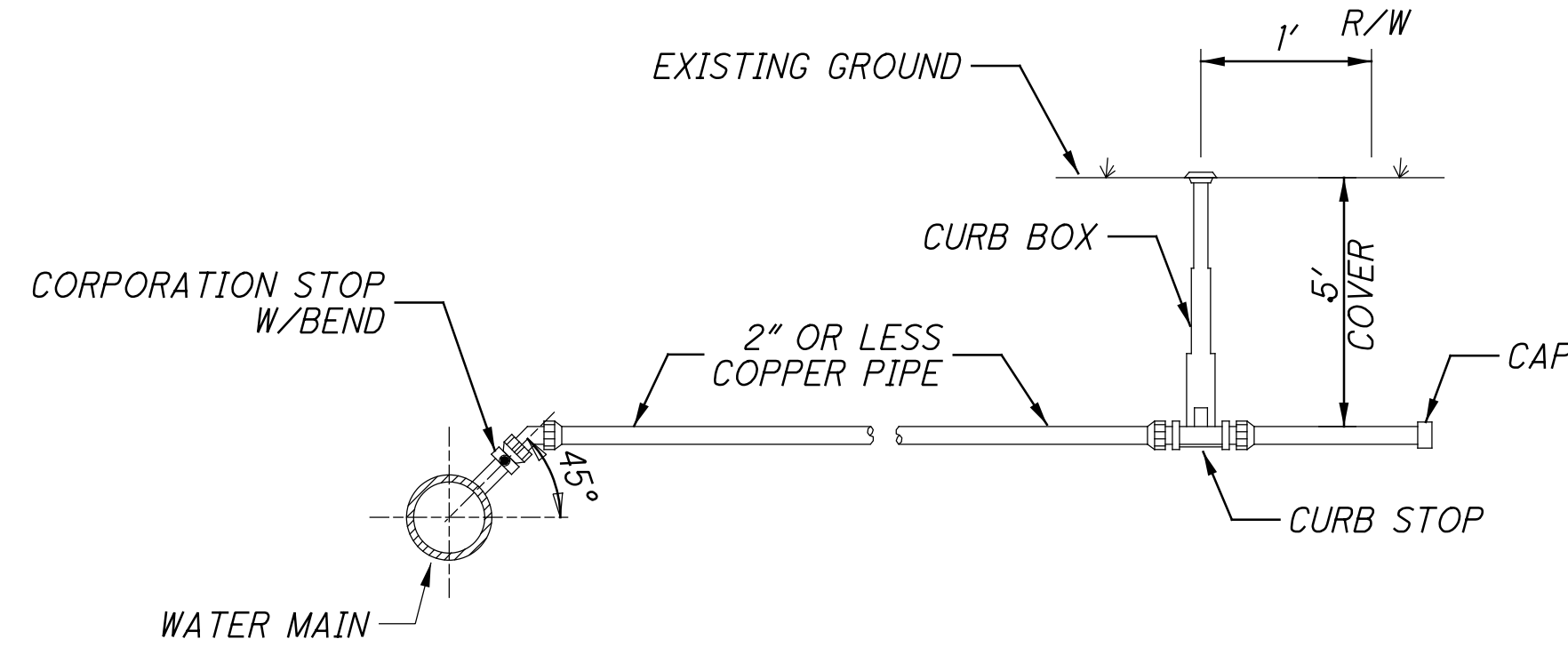
CROSS SECTIONS - MINK STREET
STA. 22+00 TO STA. 23+00

LIC+161-1.83

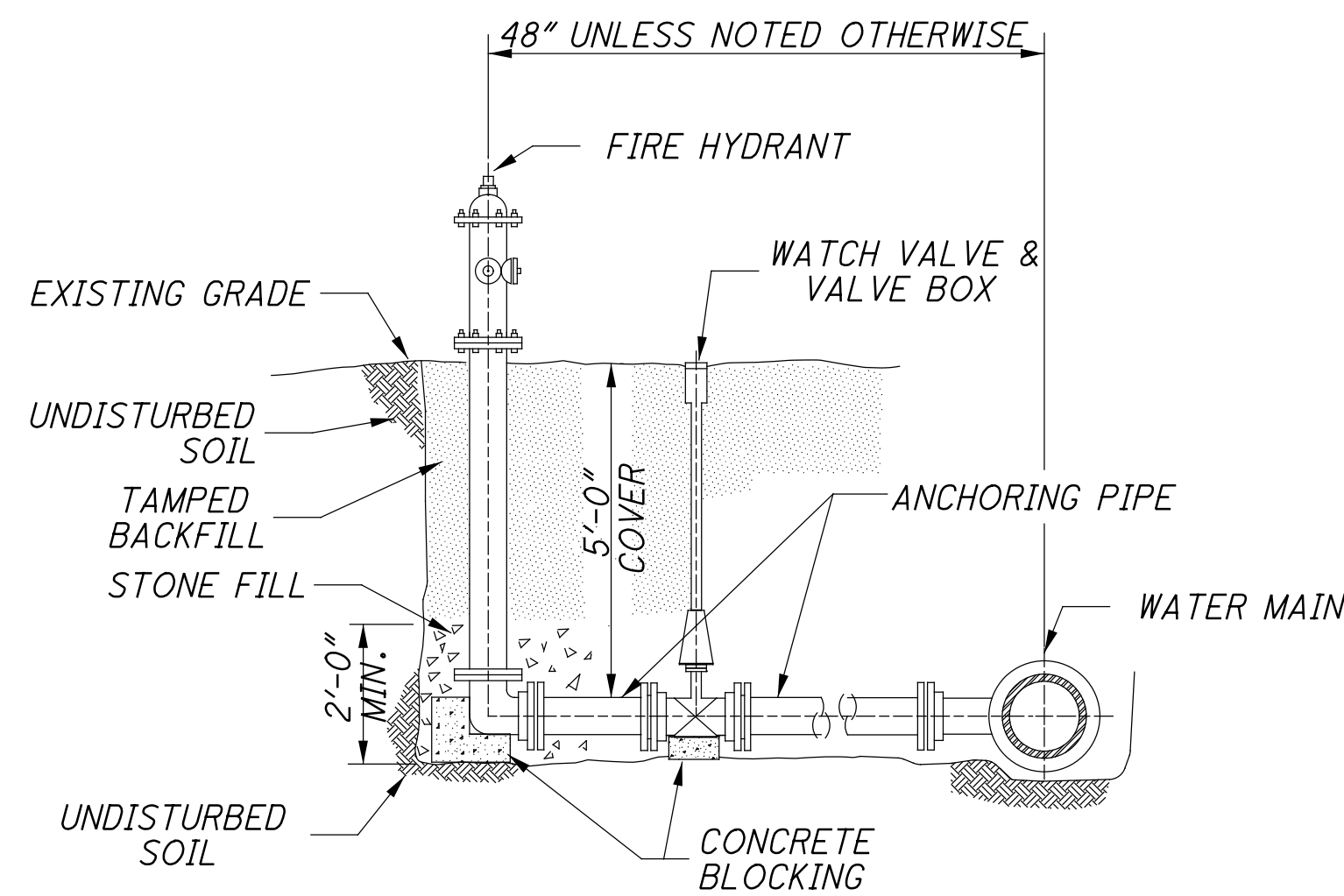
146
336



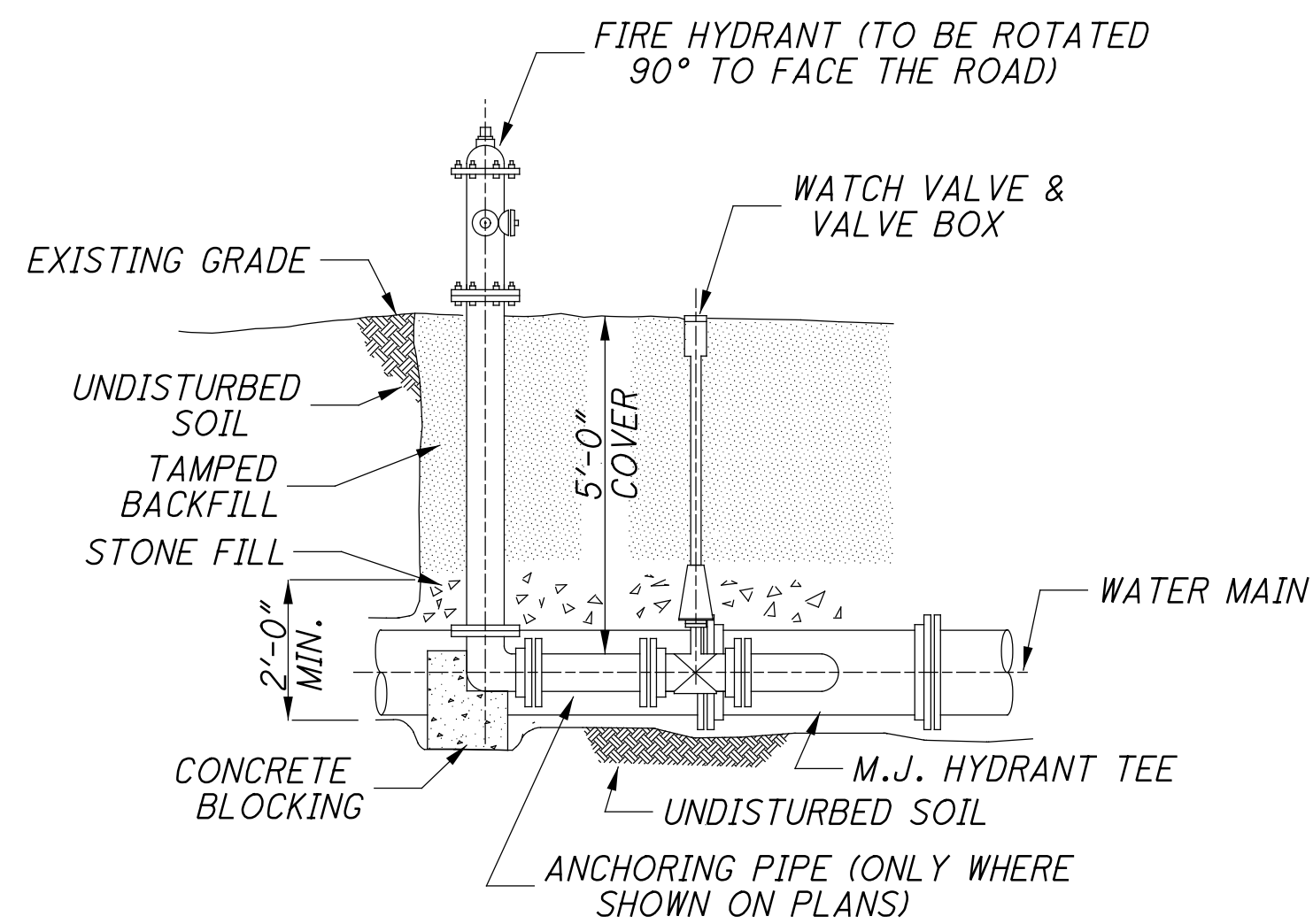
DETAIL "A"
 EXISTING WATER MAIN RELOCATION
 UNDER PROPOSED UTILITY LINE
 (ELEVATION)



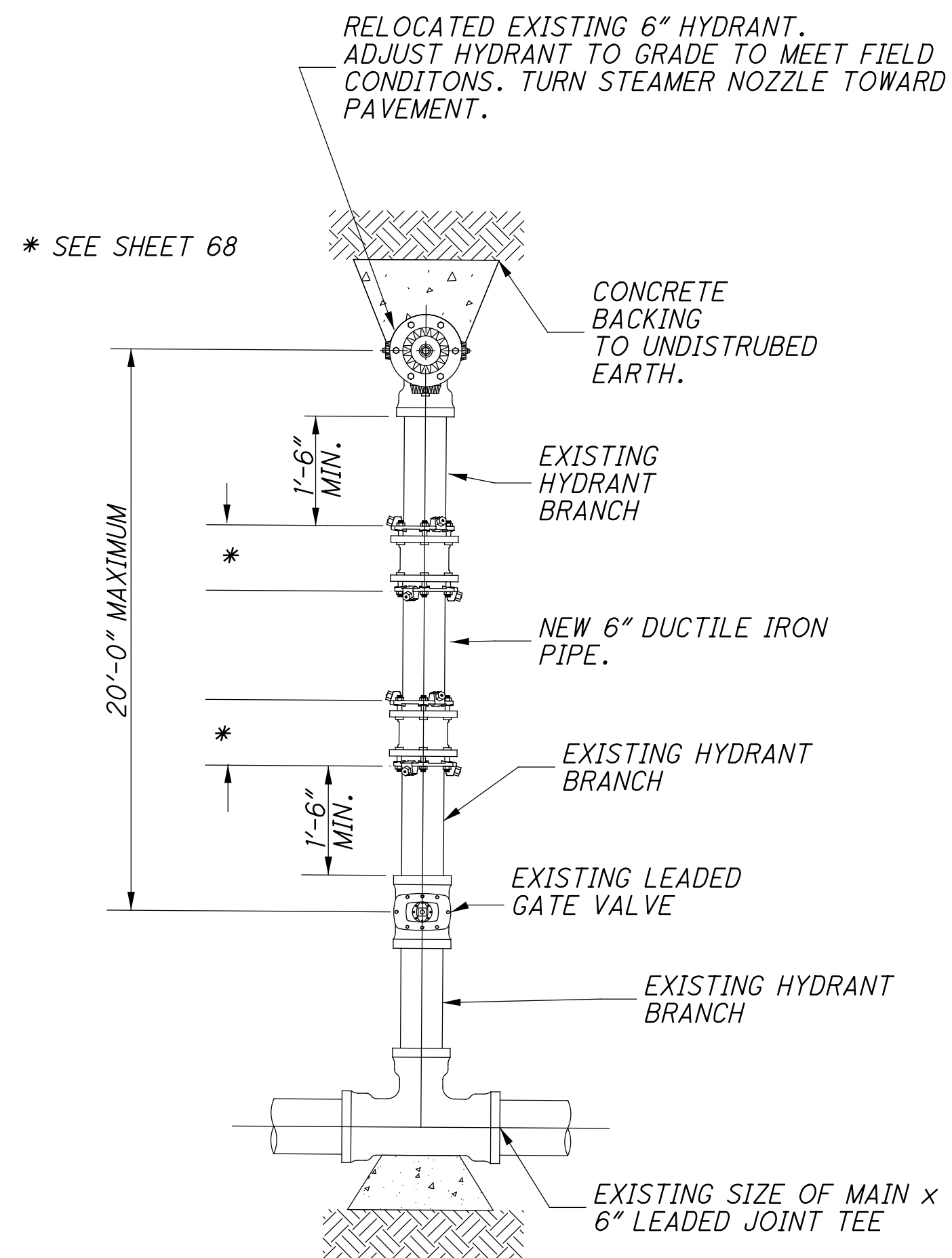
DETAIL "B"
 TYPICAL 2" OR LESS SERVICE CONNECTION
 (ELEVATION)



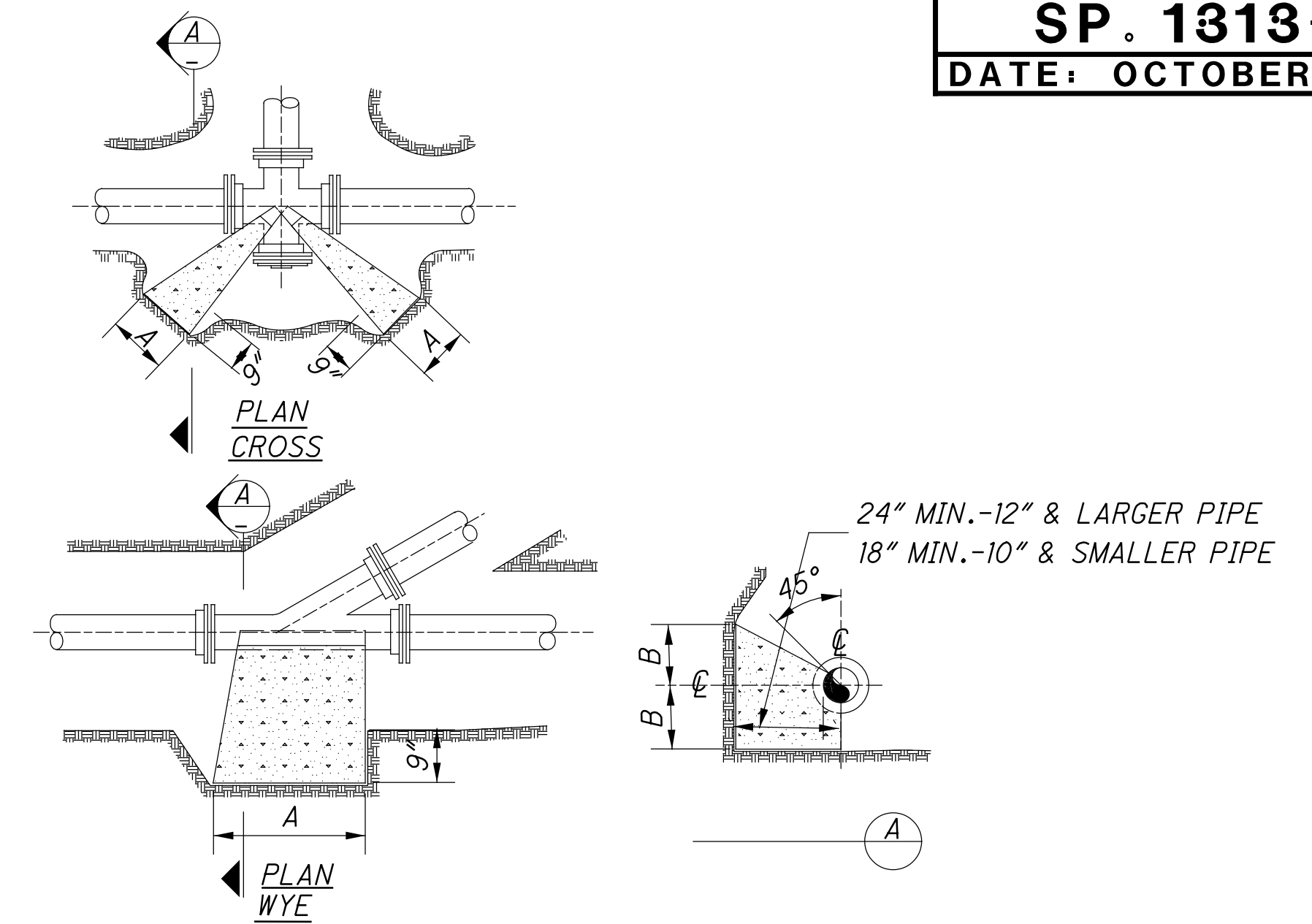
DETAIL "C"
 HYDRANT ASSEMBLY
 PERPENDICULAR TO WATER
 (ELEVATION)



DETAIL "D"
 HYDRANT ASSEMBLY
 PARALLEL TO WATER MAIN
 (ELEVATION)



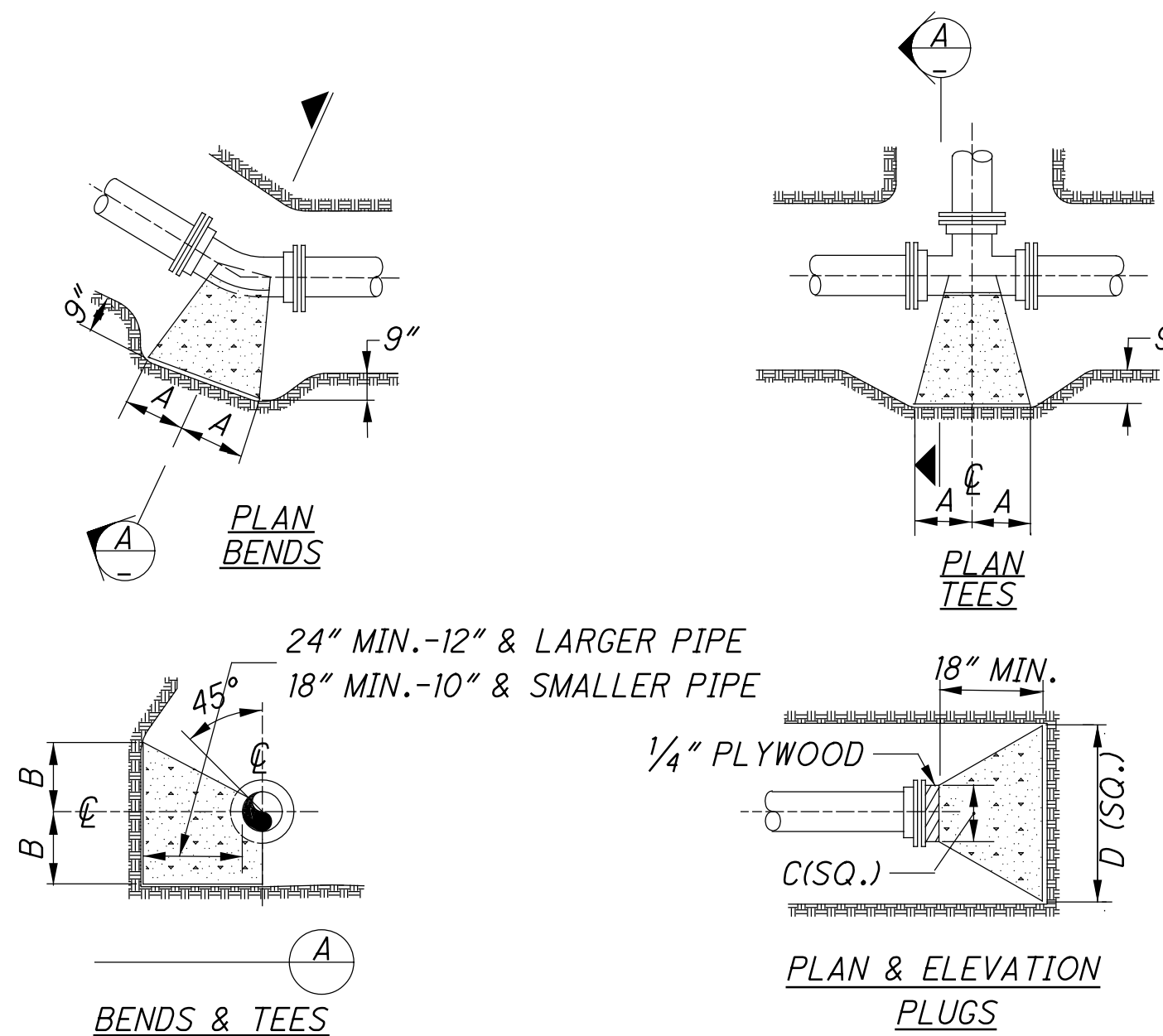
DETAIL "E"
 FIRE HYDRANT EXTENDED AND ADJUSTED TO GRADE
 (PLAN)



TYPE	SIZE	CROSS		WYE	
		A	B	A	B
2000 P.S.F. SOIL	6"	11"	13"	10"	12"
	8"	15"	17"	14"	14"
	10"	18"	22"	15"	20"
	12"	21"	26"	18"	23"
	14"	24"	30"	21"	27"
	16"	28"	33"	24"	30"
	20"	33"	42"	27"	43"
	24"	40"	49"	32"	50"

* 6" OR LESS

NOTE: BASED ON 150 P.S.I. STATIC PRESSURE PLUS A.W.W.A. WATER HAMMER.
 ALL BEARING SURFACES TO BE CARRIED TO UNDISTURBED GROUND.



TYPE	SIZE	90° BENDS		45° BENDS		22-1/2° & 11-1/4° BENDS		TEES		PLUGS	
		A	B	A	B	A	B	A	B	C	D
2000 P.S.F. SOIL	6"	18"	11"	10"	11"	6"	9"	11"	13"	10"	24"
	8"	25"	14"	14"	14"	9"	11"	15"	17"	12"	32"
	10"	27"	20"	16"	19"	10"	15"	18"	22"	14"	40"
	12"	33"	23"	18"	23"	12"	18"	21"	26"	16"	47"
	14"	39"	26"	22"	26"	13"	22"	24"	30"	18"	54"
	16"	43"	30"	24"	30"	14"	26"	28"	33"	20"	61"
	20"	50"	39"	27"	39"	17"	32"	33"	42"	24"	74"
	24"	60"	45"	33"	45"	20"	38"	40"	49"	28"	88"

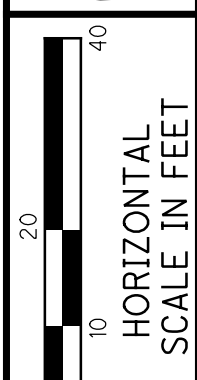
* 6" OR LESS

NOTE: BASED ON 150 P.S.I. STATIC PRESSURE PLUS A.W.W.A. WATER HAMMER.
 ALL BEARING SURFACES TO BE CARRIED TO UNDISTURBED GROUND.

SHEET NO.	REFERENCE NO.	LOCATION	STATION		SIDE	621			642											
						RAISED PAVEMENT MARKER REMOVED		RPM (2-way yellow)	RPM (1-way white)		EDGE LINE, 6", TYPE 1 (White)	CENTER LINE, TYPE 1 (Dashed-Solid)	CHANNELIZING LINE, 8", TYPE 1	STOP LINE, TYPE 1	LANE ARROW, TYPE 1	WORD ON PAVEMENT, 96", TYPE 1	ISLAND MARKING, TYPE 1 (Yellow)			
						EACH		EACH	EACH		MILE	MILE	FT	FT	EACH	EACH	SQ FT			
56	CL-1	℄ Const. S.R. 17	46+73	48+00	RT.	7		7			0.024									
56	CL-2	℄ Const. S.R. 17	47+90	48+47	LT.			2			0.010									
56	CL-3	℄ Const. S.R. 17	48+00	48+47	RT.	2		11			0.009									
56	CL-4	℄ Const. S.R. 17	48+47	53+00	LT.			11			0.086									
56	CL-5	℄ Const. S.R. 17	48+47	53+00	RT.	11		6			0.086									
57	CL-6	℄ Const. S.R. 17	53+00	55+48	LT.	6		6			0.047									
57	CL-7	℄ Const. S.R. 17	53+00	55+48	RT.			12			0.047									
57	CL-8	℄ Const. S.R. 17	55+48	57+86	LT.	12					0.045									
57	CL-9	℄ Const. S.R. 17	55+48	56+00	RT.			3			0.011									
57	CL-10	℄ Const. S.R. 17	58+68	59+25	RT.	3		4			0.011									
57	CL-11	℄ Const. MEYERS RD.	10+40	11+15	℄	4		5			0.014									
57	CL-12	℄ Const. MEYERS RD.	8+55	9+41	℄	5		6			0.016									
58	CL-13	℄ Const. S.R. 17	59+25	60+39	RT.	6		1			0.022									
58	CL-14	℄ Const. S.R. 17	64+16	65+00	℄	1		1			0.016									
58	CL-15	℄ Const. S.R. 17	65+00	65+66	℄	2					0.013									
56	EL-1	℄ Const. RAMP A	10+25	10+65	RT.	2				0.009										
56	EL-2	℄ Const. S.R. 17	45+52	48+00	LT.	12		2			0.047									
56	EL-3	℄ Const. S.R. 17	45+30	48+00	RT.	14		12			0.051									
56	EL-4	℄ Const. RAMP B	9+18	9+75	RT.	3		14			0.011									
56	EL-5	℄ Const. S.R. 17	48+00	53+00	LT.	14		3			0.095									
56	EL-6	℄ Const. S.R. 17	48+00	53+00	RT.	14		14			0.095									
57	EL-7	℄ Const. MEYERS RD.	53+00	11+00	LT.	24		14			0.113									
57	EL-8	℄ Const. MEYERS RD.	53+00	8+55	RT.	23		24			0.111									
57	EL-9	℄ Const. MEYERS RD.	11+15	59+25	LT.	8		23			0.029									
57	EL-10	℄ Const. MEYERS RD.	8+55	59+25	RT.	11		8			0.041									
58	EL-11	℄ Const. S.R. 17	59+25	65+00	LT.	21		11			0.109									
58	EL-12	℄ Const. S.R. 17	59+25	65+00	RT.	16		22			0.109									
58	EL-13	℄ Const. S.R. 17	65+00	65+66	LT.	1		29			0.013									
58	EL-14	℄ Const. S.R. 17	65+00	65+66	RT.	1					0.013									
56	CH-1	℄ Const. S.R. 17	45+52	47+70	LT.							218								
57	CH-2	℄ Const. S.R. 17	56+20	57+86	RT.			11				166								
57	CH-3	℄ Const. S.R. 17	58+68	59+25	LT.			9				57								
58	CH-4	℄ Const. S.R. 17	59+25	60+20	LT.			3				95								
56	IM-1	℄ Const. S.R. 17	44+51	45+09	RT.			5			0.019	110								
56	IM-2	℄ Const. S.R. 17	45+52	46+73	RT.	6		6			0.046	10								
58	IM-3	℄ Const. S.R. 17	60+39	64+16	LT&RT	11		12			0.143									
56	SL-1	℄ Const. RAMP A	10+28		LT&RT			19					29							
56	SL-2	℄ Const. S.R. 17	50+07	50+27	LT.								20				108			
57	SL-3	℄ Const. MEYERS RD.	9+41		LT.								12				26			
57	SL-4	℄ Const. MEYERS RD.	10+40		RT.								14				255			
56		℄ Const. S.R. 17	45+62										2							
56		℄ Const. S.R. 17	46+62											2		2				
56		℄ Const. S.R. 17	47+60											2						
56		℄ Const. S.R. 17	52+11											1						
56		℄ Const. S.R. 17	52+25											1						
57		℄ Const. S.R. 17	56+98												1					
57		℄ Const. S.R. 17	56+20											1						
57		℄ Const. S.R. 17	57+76											1						
57		℄ Const. S.R. 17	58+78											1						
SUBTOTALS						240		112	204		0.846	0.665	656	75	9	3	389			
TOTALS CARRIED TO GENERAL SUMMARY						240		316			0.85	0.67	656	75	9	3	389			

PAVEMENT MARKING SUBSUMMARY

UNI - 17 - 3.14

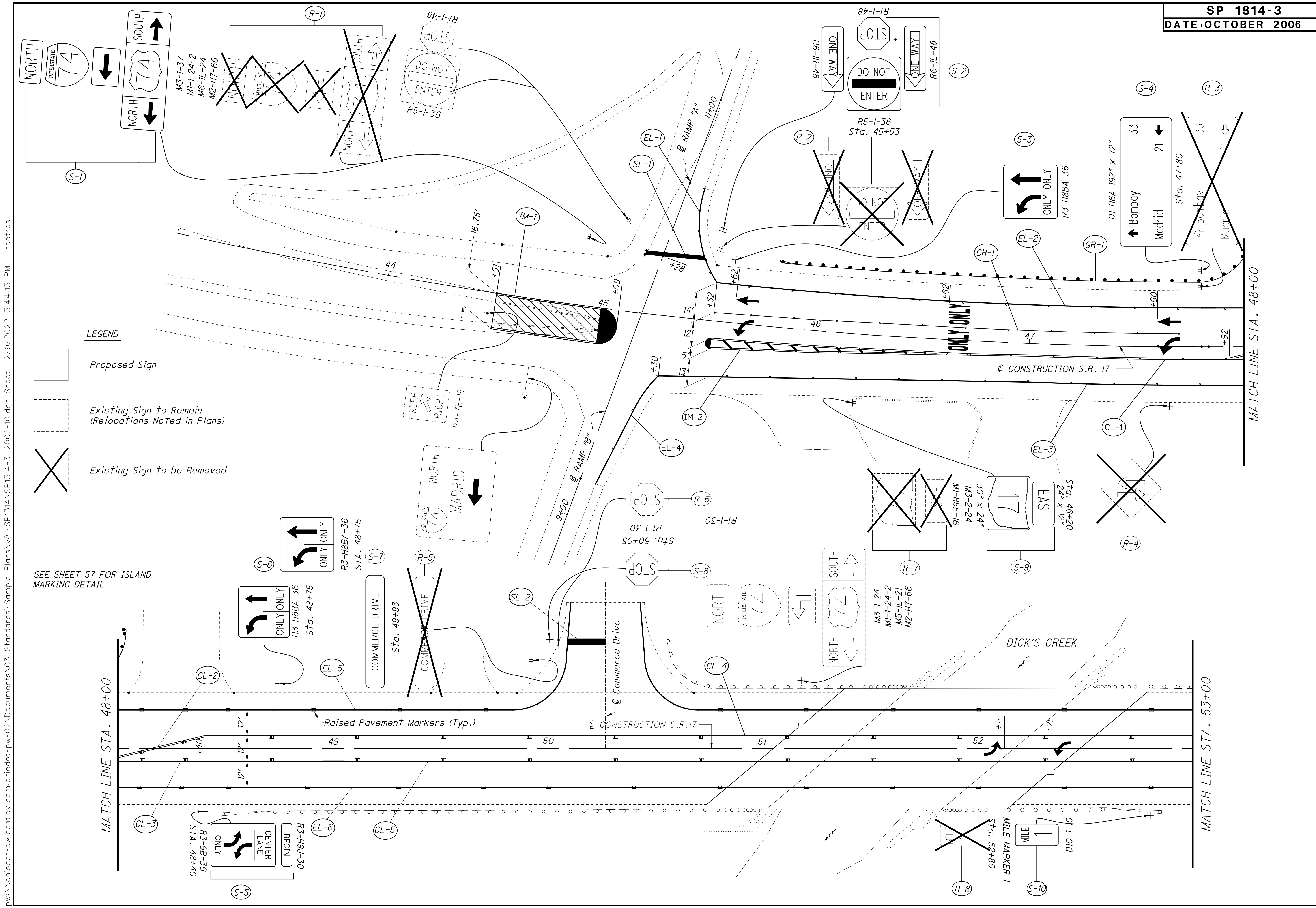


CALCULATED: DAM
CHECKED: JAG




SIGN AND PAVEMENT MARKING PLAN

UNI-17-3.14

56
65

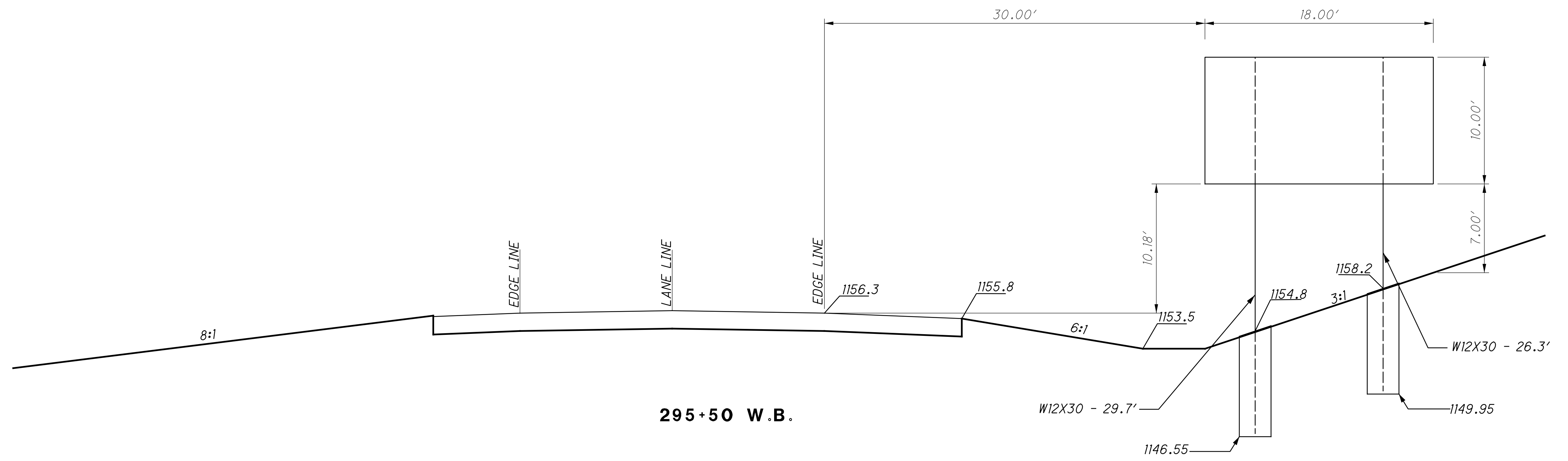
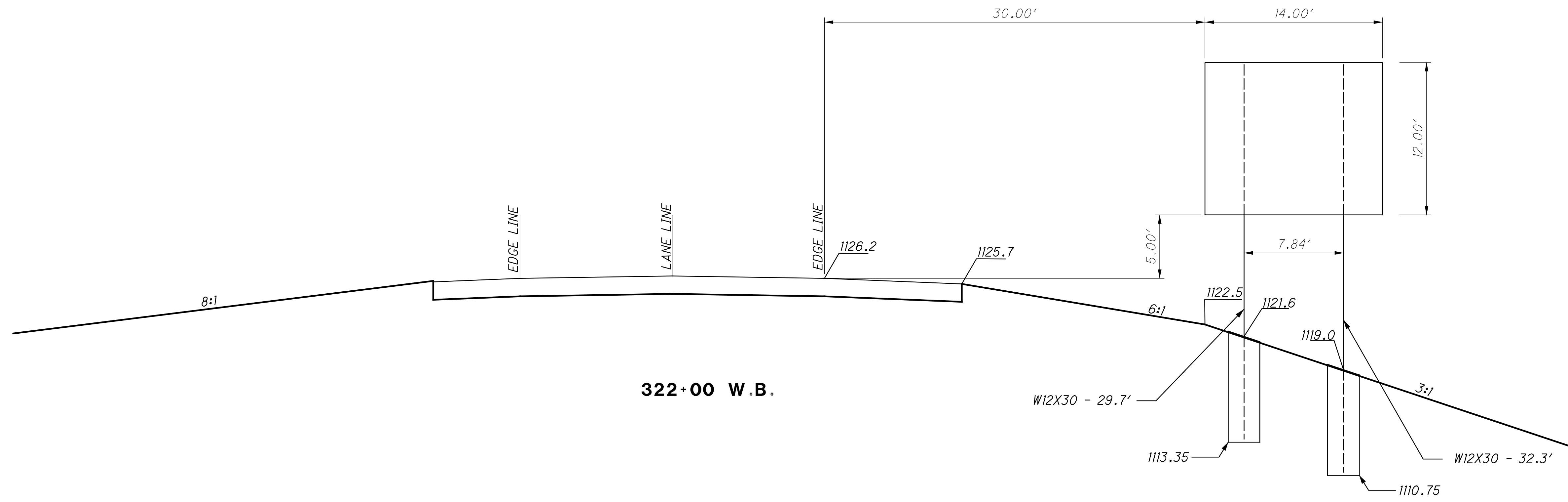


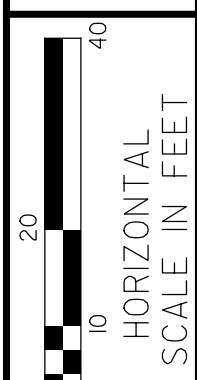
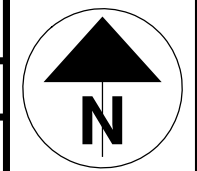
LEGEND

-  Proposed Sign
-  Existing Sign to Remain (Relocations Noted in Plans)
-  Existing Sign to be Removed

SEE SHEET 57 FOR ISLAND MARKING DETAIL

pw:\ohiodot-pw.bentley.com\ohiodot-pw-02\Documents\03 Standards\Sample Plans\SP1314-3-2006-10.dgn Sheet 2/9/2022 3:44:13 PM tpetros

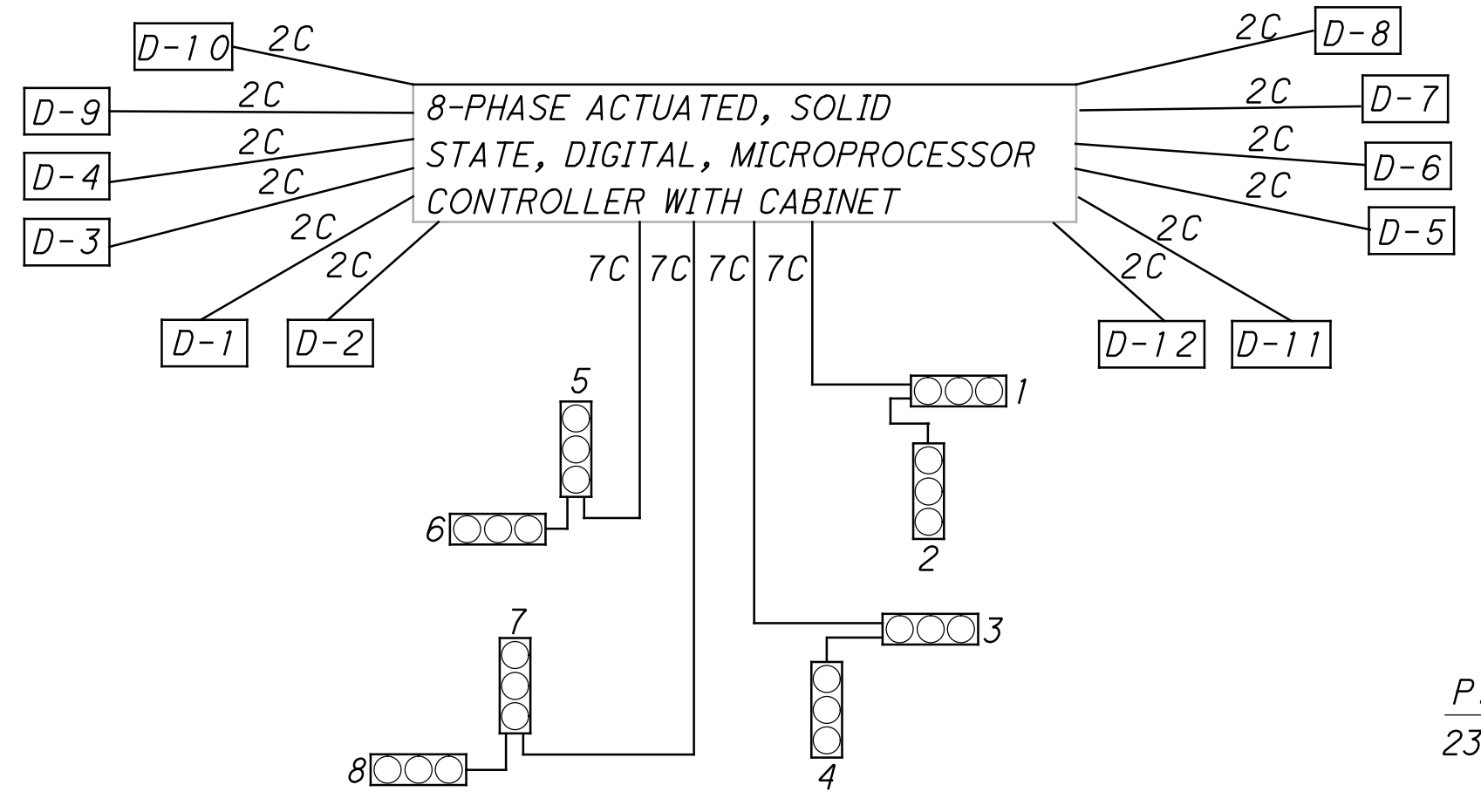
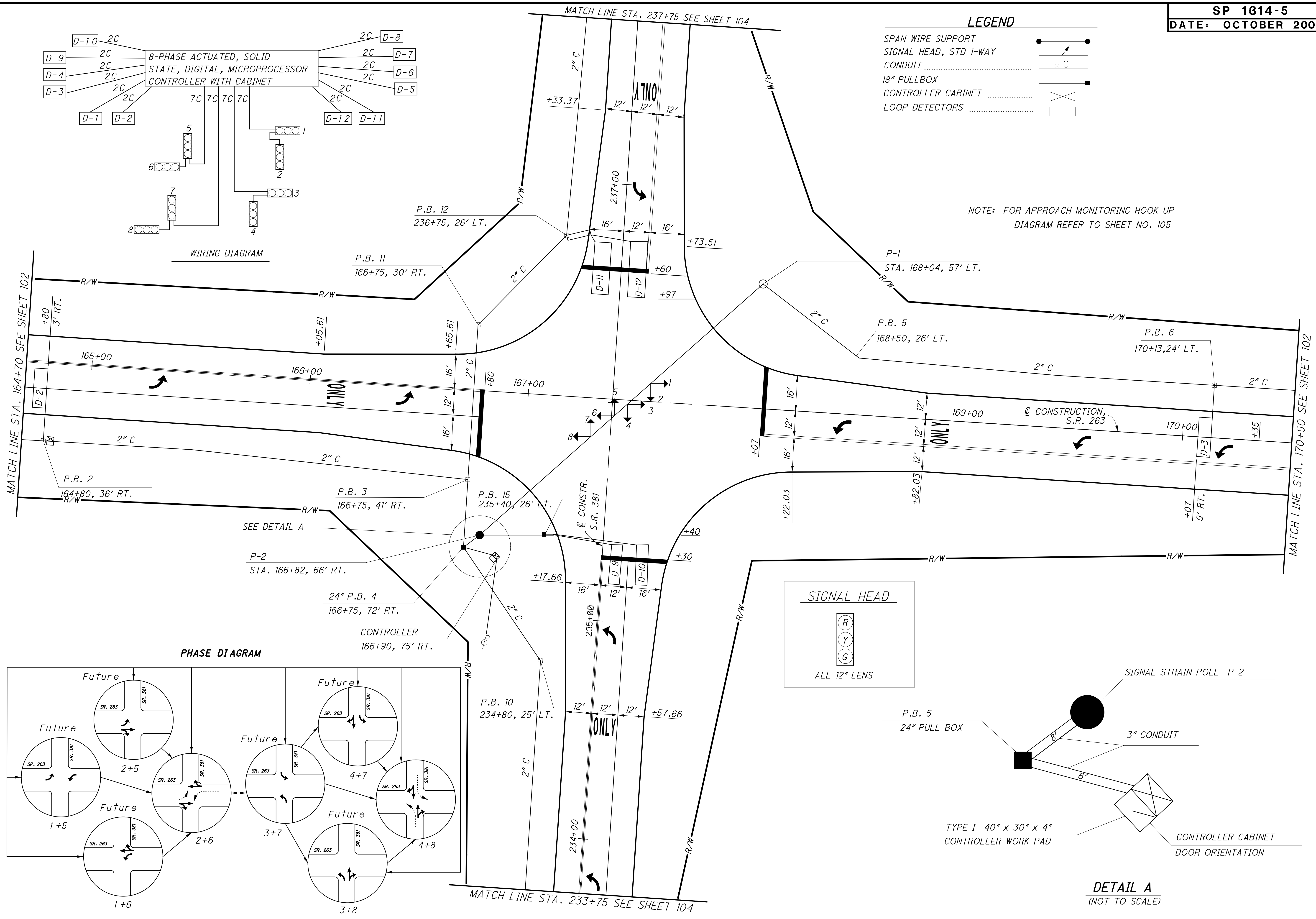




LEGEND

- SPAN WIRE SUPPORT ●-----●
- SIGNAL HEAD, STD 1-WAY ↗
- CONDUIT x"C
- 18" PULLBOX □
- CONTROLLER CABINET ⊠
- LOOP DETECTORS ▭

NOTE: FOR APPROACH MONITORING HOOK UP
DIAGRAM REFER TO SHEET NO. 105



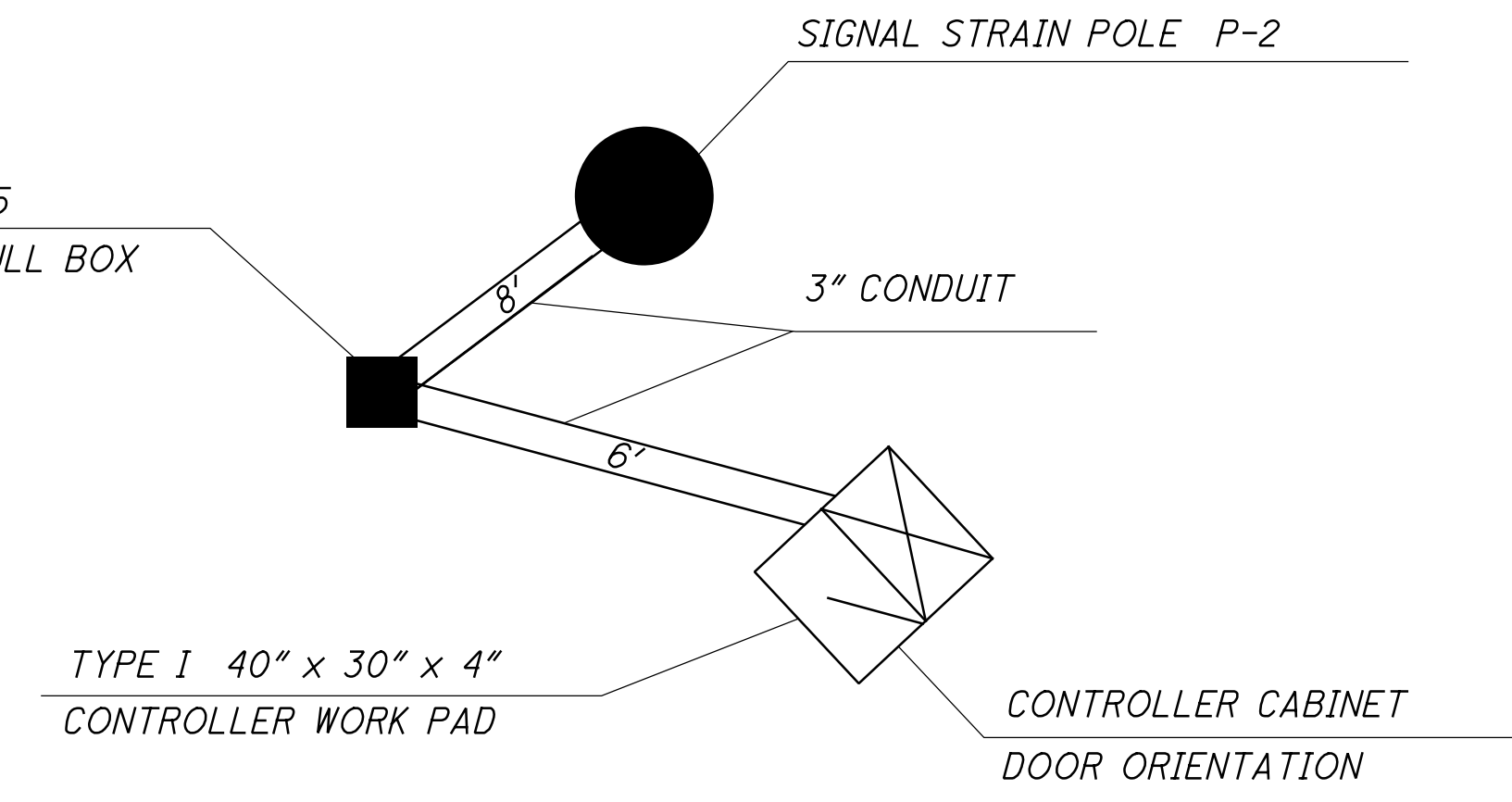
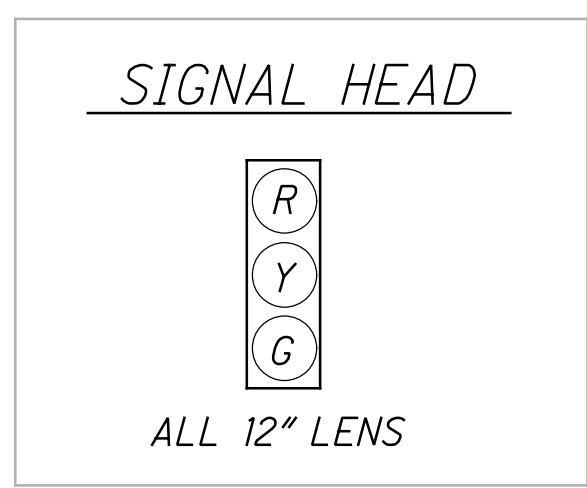
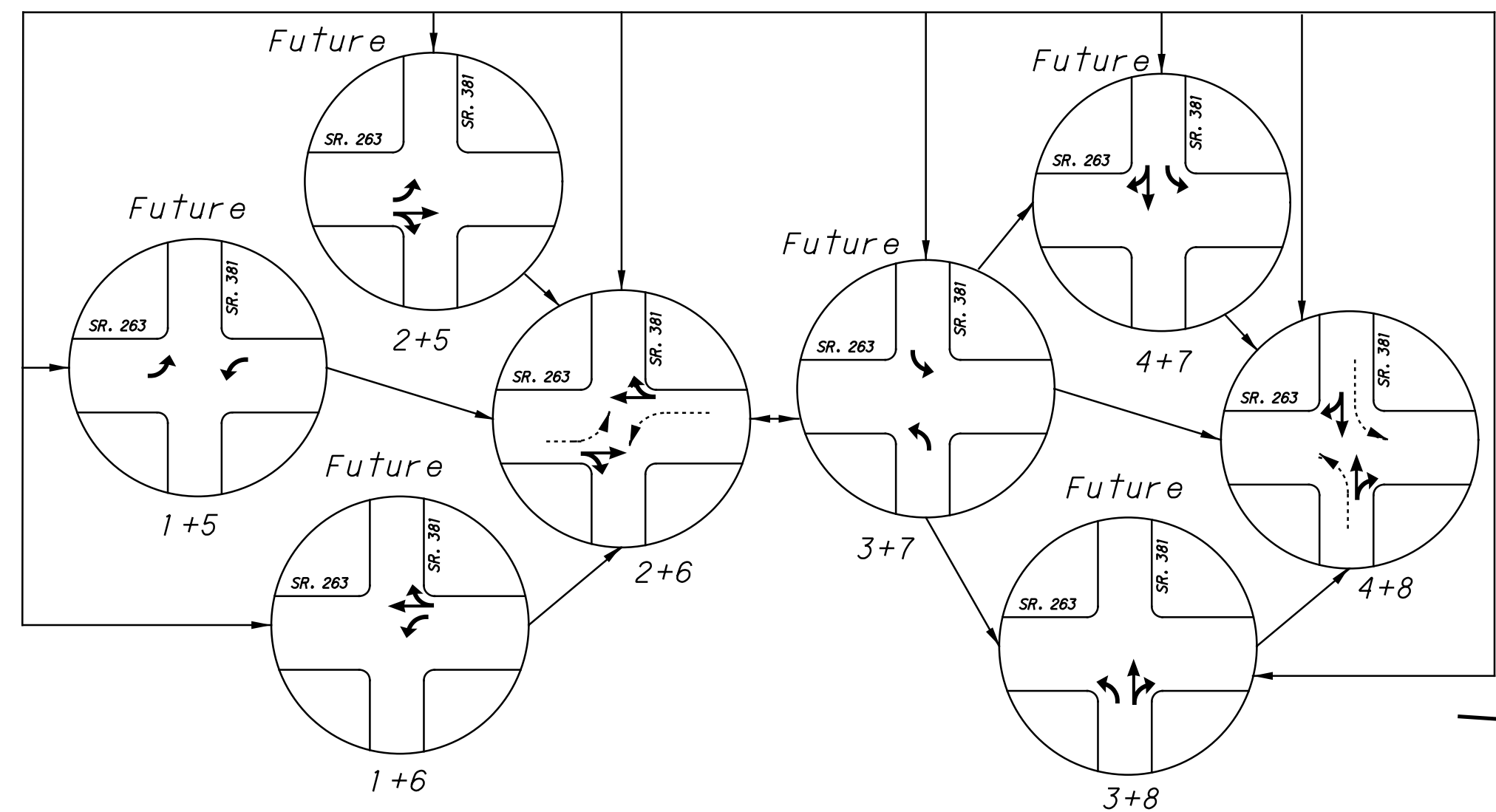
WIRING DIAGRAM

MATCH LINE STA. 164+70 SEE SHEET 102

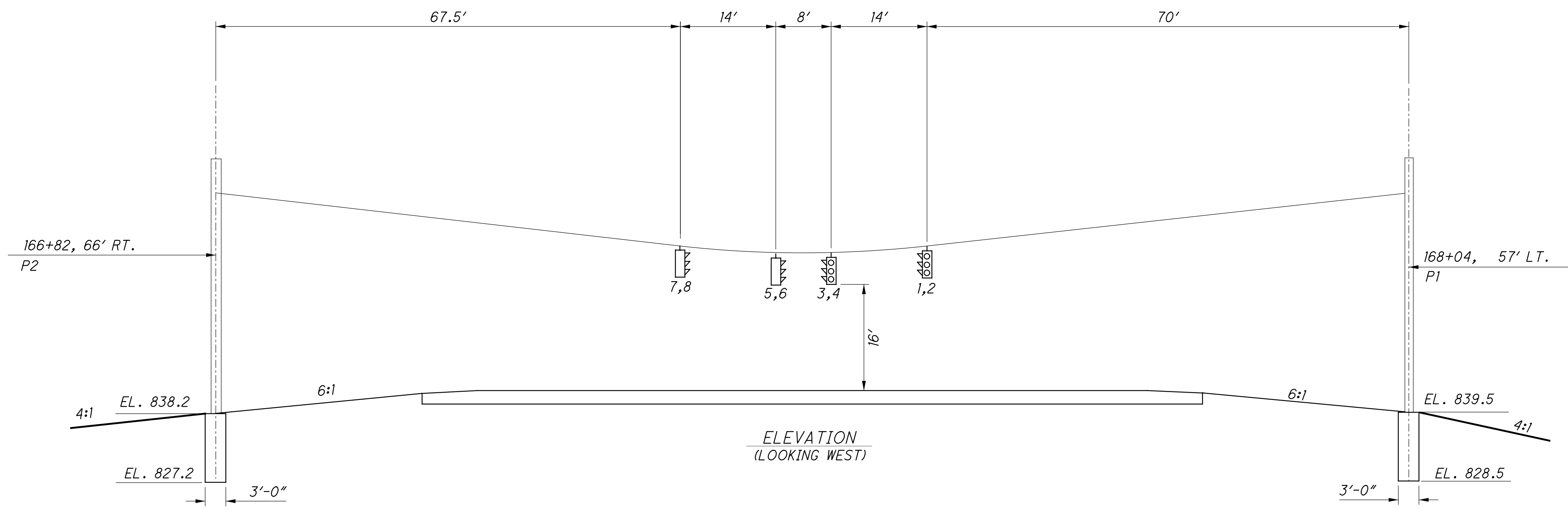
MATCH LINE STA. 170+50 SEE SHEET 102

MATCH LINE STA. 233+75 SEE SHEET 104

PHASE DIAGRAM



DETAIL A
(NOT TO SCALE)



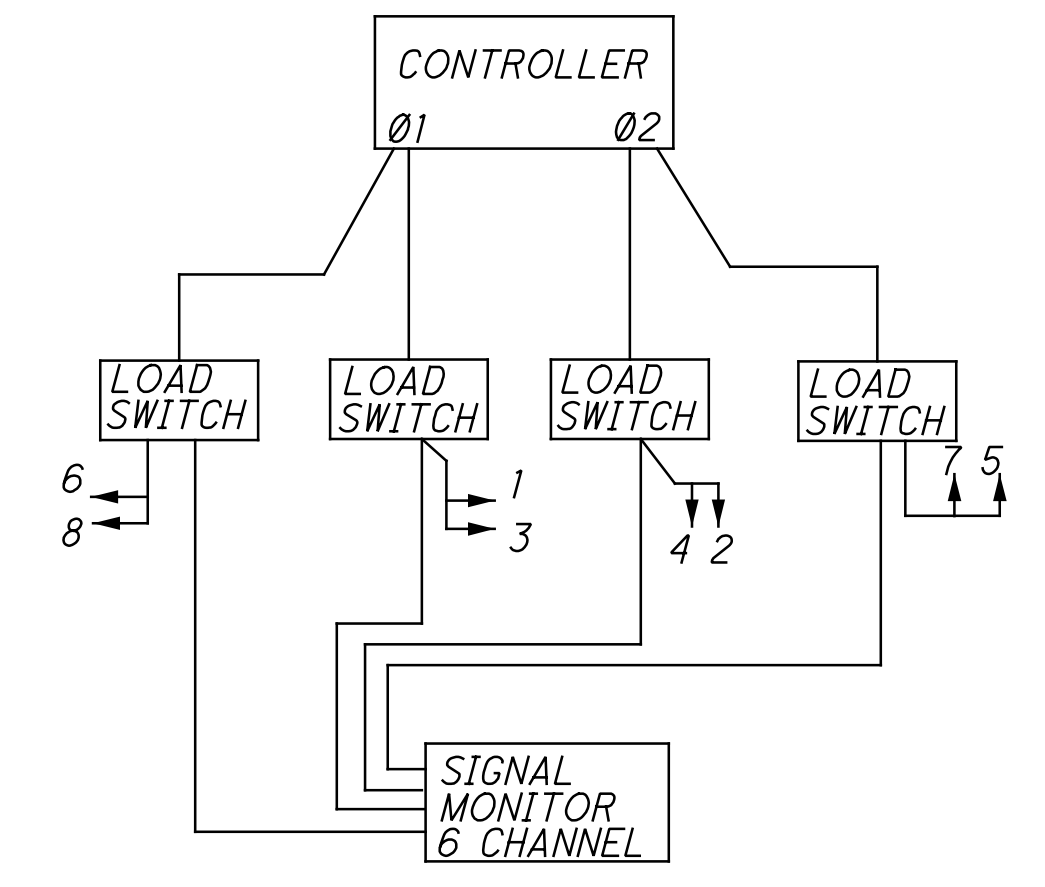
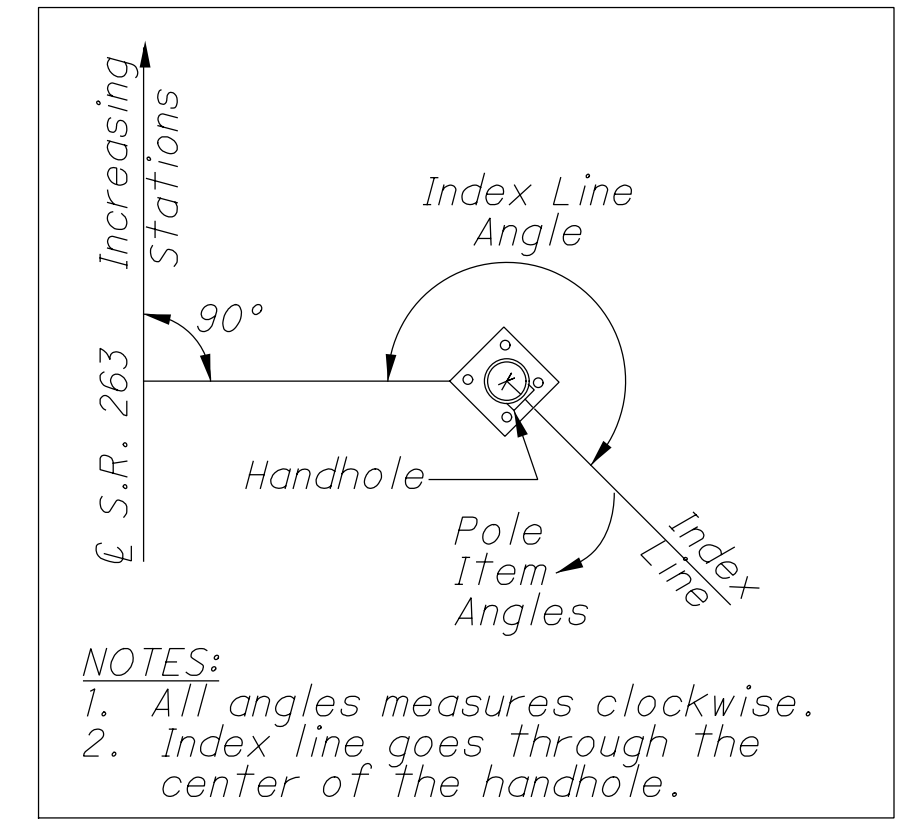
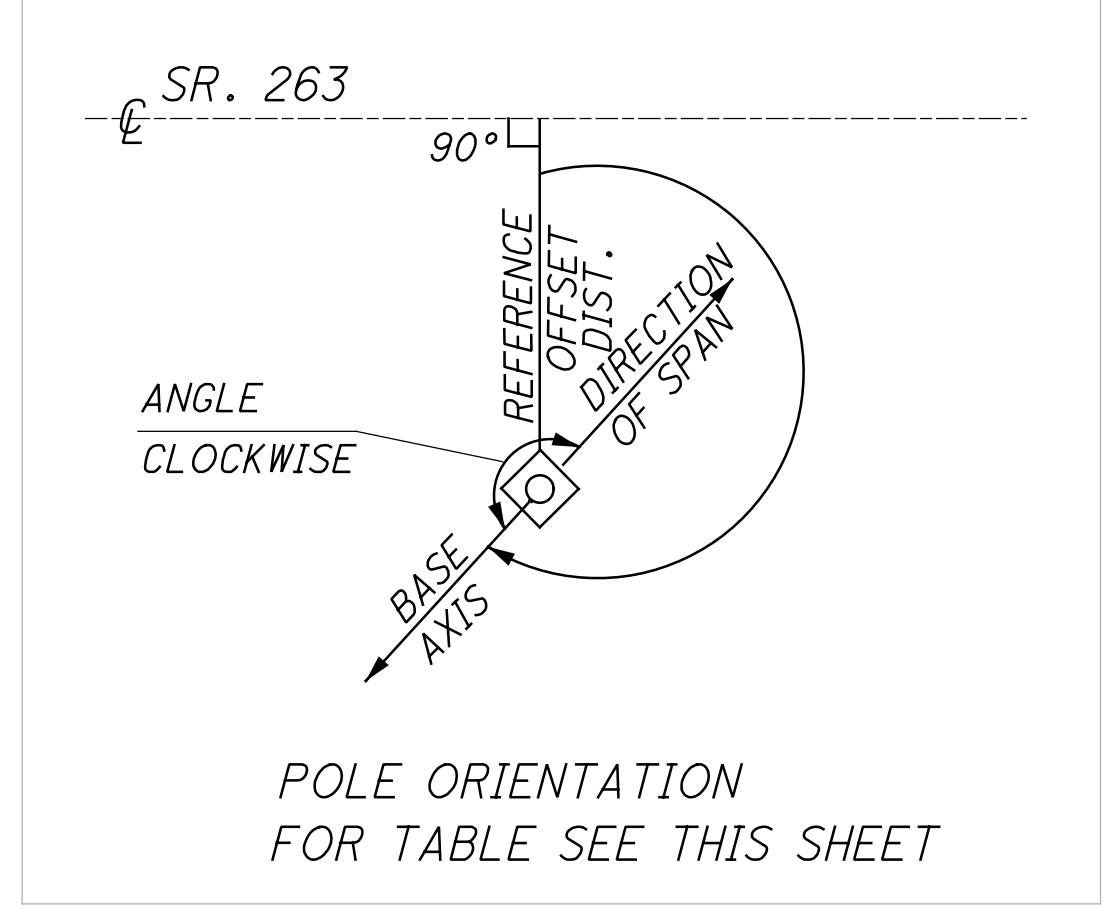
POLE SIZE AND FOUNDATION ELEVATION					ORIENTATION OF ACCESSORIES (Angles Measured from Index Line)				
POLE NUMBER	POLE DESIGN	POLE SIZE	ELEVATION TOP OF FOUNDATION	ELEVATION BOTTOM OF FOUNDATION	SERVICE CABLE 1-1/2"	HAND HOLE	CABLE ENTRANCE	SPAN WIRE ATTACHMENT	LUMINAIRE
P-1	10	34'	839.5	828.5	----	0	180°	180°	----
P-2	10	34'	838.2	827.2	25'	0	180°	180°	----

SIGNAL HEAD MOUNTING DATA			
SIGNAL	PAVEMENT ELEVATION	ACTUAL CLEARANCE FROM PAVE.	ELEVATION BOTTOM OF SIGNAL
1,2	842.2	16.7	858.9
3,4	841.9	16.1	857.9
5,6	841.9	16.4	858.3
7,8	841.9	17.1	858.9

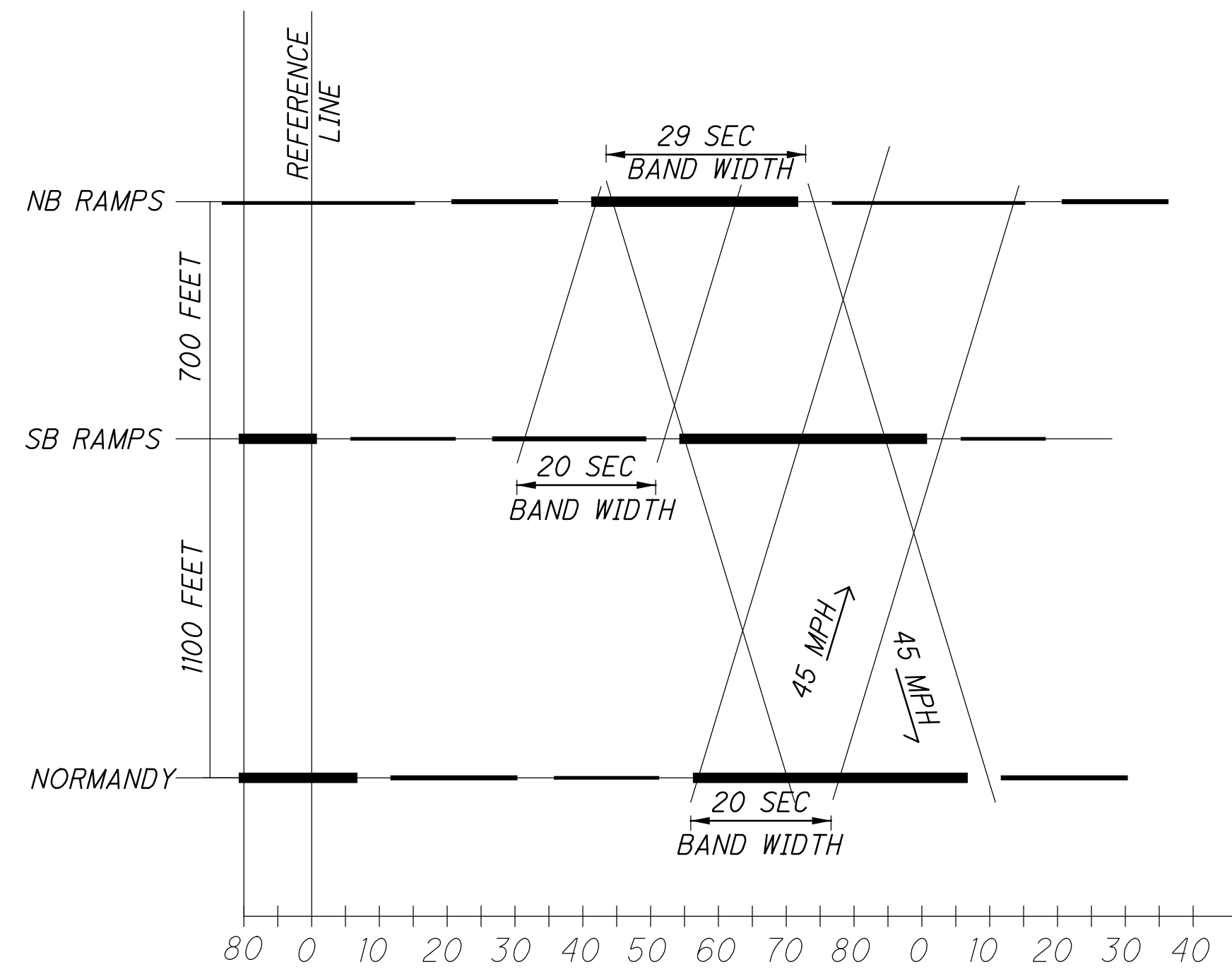
SIGNAL TIMING		
	PHASE 1	PHASE 2
MINIMUM	15	15
MAXIMUM	25	25
EXTENSION	3	3
ADDED INITIAL	1.0	
FLASH	Y	R
RECALL	MIN	----
Y-CLEAR	4	4
ALL-RED	2	2
INITIALIZE	G	R

SIGNAL DISPLAY SEQUENCE CHART						
SIGNAL HEADS	FLASH	PHASE				
		1	2	3	4	5
1	Y	G	Y	R	R	R
2	R	R	R	R	G	Y
3	Y	G	Y	R	R	R
4	R	R	R	R	G	Y
5	R	R	R	R	G	Y
6	Y	G	Y	R	R	R
7	R	R	R	R	G	Y
8	Y	G	Y	R	R	R

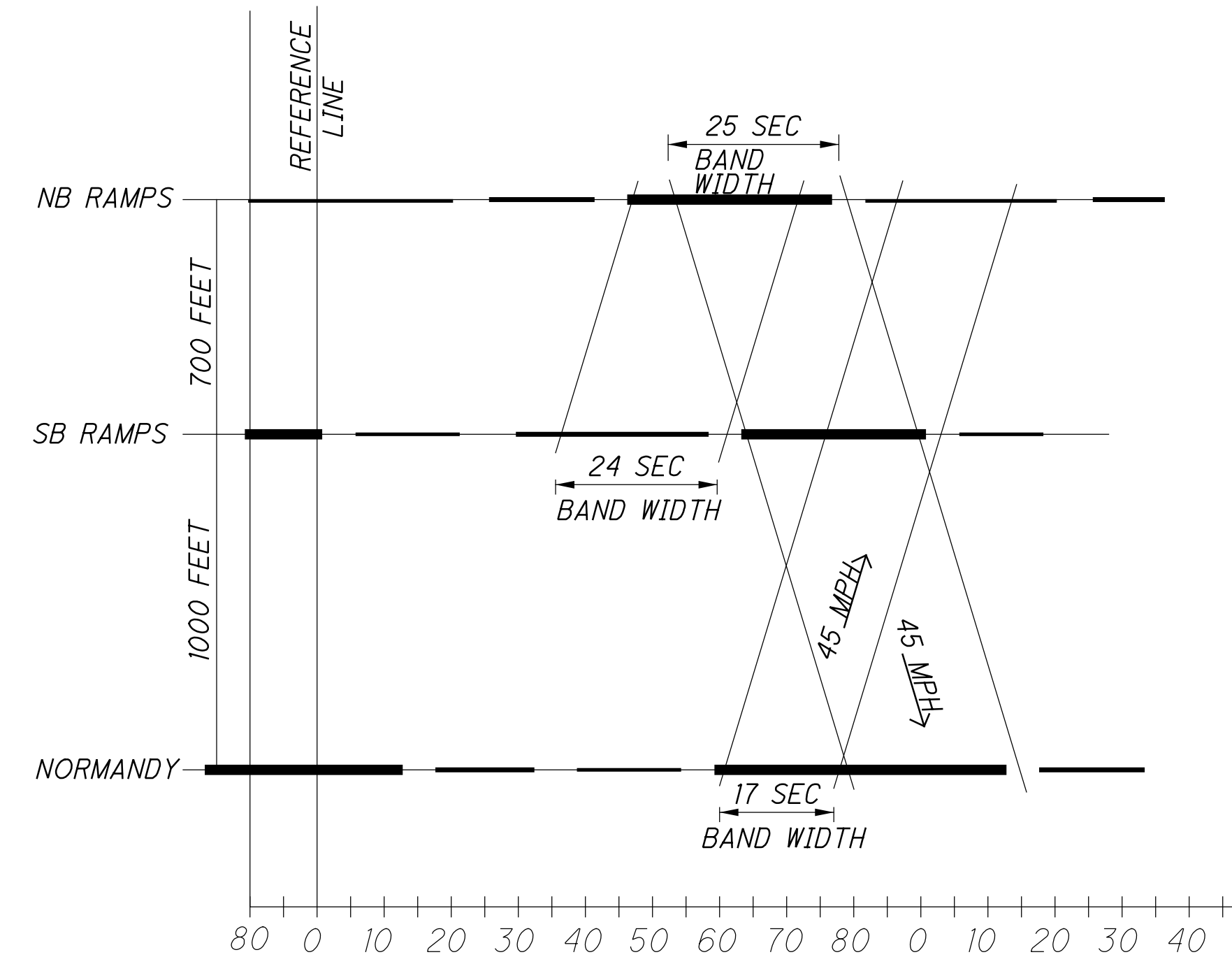
LOOP DETECTOR CHART							
LOOP	PHASE	SIZE	NO. OF TURNS	MODE	LOOP DET. UNIT	DELAY	DELAY INHIBIT PHASE
D-1	2	6 x 6	3	PULSE	1	-	-
D-2	2	6 x 18	2	PULSE	1	-	-
D-3	6	6 x 18	2	PULSE	2	-	-
D-4	6	6 x 6	3	PULSE	2	-	-
D-5	8	6 x 6	3	PULSE	3	3	8
D-6	8	6 x 18	2	PULSE	3	3	8
D-7	4	6 x 18	2	PULSE	4	3	4
D-8	4	6 x 6	3	PULSE	4	3	4
D-9	8	6 x 30	2	PRESENCE	5	3	8
D-10	8	6 x 30	2	PRESENCE	6	6	8
D-11	4	6 x 14	2	PRESENCE	7	6	4
D-12	4	6 x 14	2	PRESENCE	8	3	4



APPROACH MONITORING HOOK-UP DIAGRAM



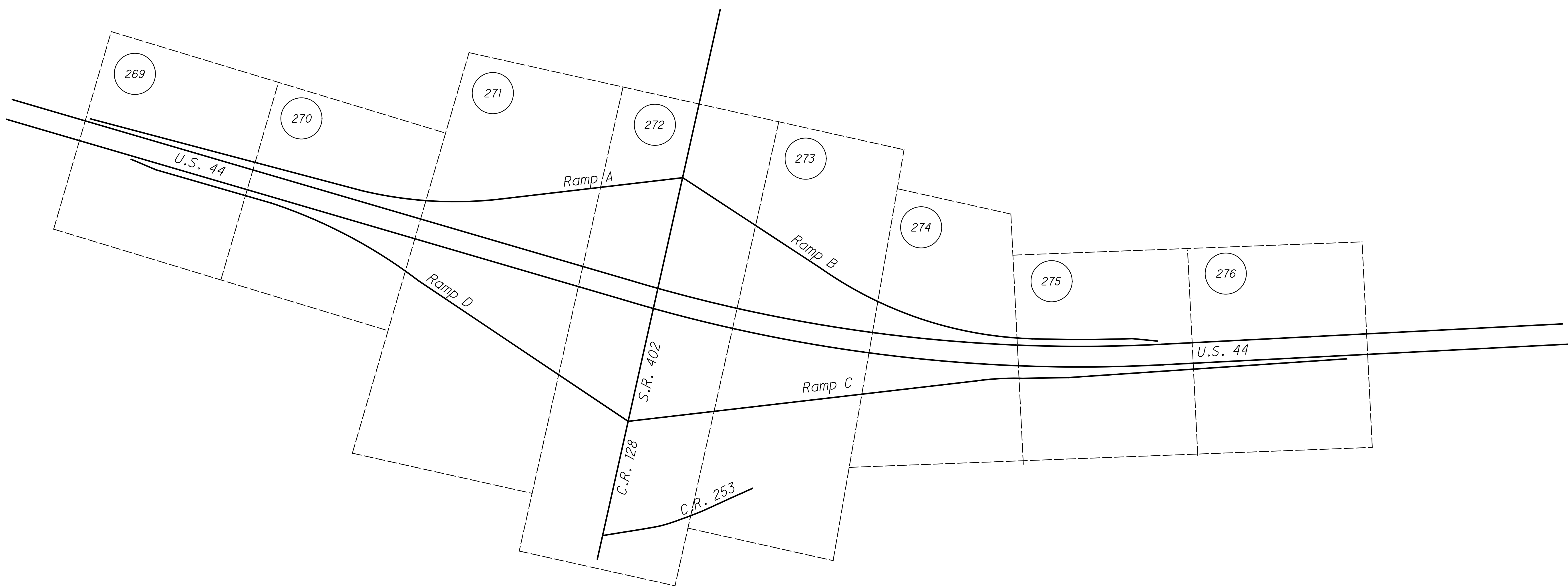
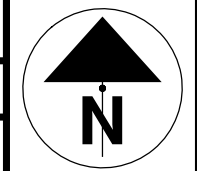
90 SECOND CYCLE LAGGING LEFT
PROTECTED ONLY LEFT TURN
MORNING & OFF PEAK
DIAL #1



90 SECOND CYCLE LAGGING LEFT
PROTECTED ONLY LEFT TURN
EVENING PEAK
DIAL #2

SR 18 GREEN **▬**
RAMP GREEN **▬▬**
PROTECTED LEFT TURN **▬▬▬**

TIME-SPACE DIAGRAMS



LEGEND

- PROPOSED GUARDRAIL
- SUB-SUMMARY REFERENCE NUMBER
- LIGHTING CIRCUIT
CONDUIT OR DUCT CABLE (AS LABELED)
WITH CONDUCTORS (AS INDICATED)
- CATCH BASIN, PIPE AND HEADWALL
- LIGHT POLE AND LUMINAIRE, INITIAL INSTALLATION
- CONTROL CENTER
- PULL BOX
- CIRCUIT STUB AND CAP

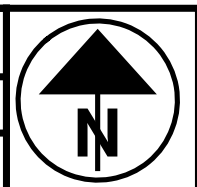
POLE LEGEND

TYPE OF LUMINAIRE	STATION		OFFSET		CIRCUIT NUMBER	POLE NUMBER	POLE REF NO.
	WATTAGE OF LUMINAIRE	SUPPORT HEIGHT	BRACKET ARM LENGTH				

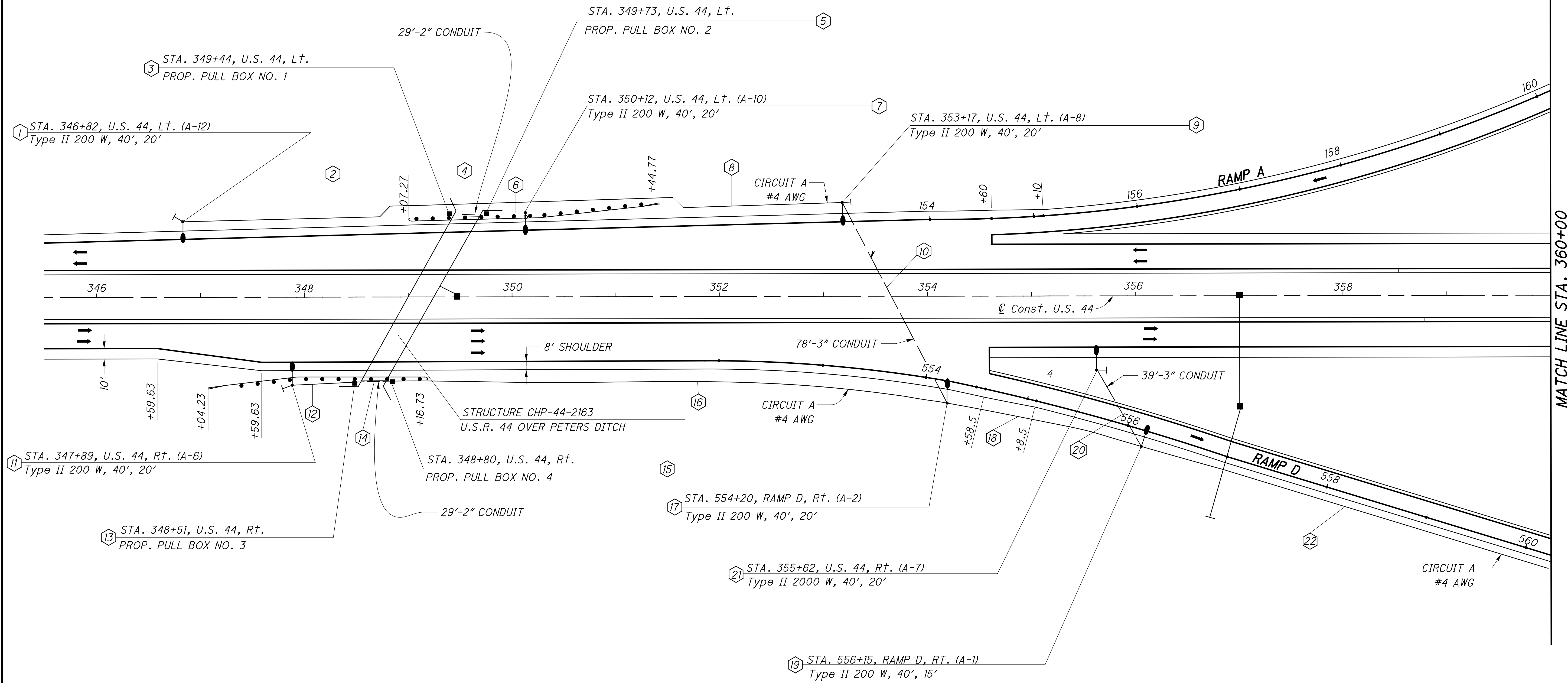
REFERENCE NUMBER	SHEET No.	SIDE	ROADWAY	STATION TO STATION	625																				
					Luminaire, Conventional, Style B, Type II, 200 W H.P.S., 480V	Luminaire, Conventional, Style B, Type III, 200 W H.P.S., 480V	Light Pole, Conventional, Design AT15B40	Light Pole, Conventional, Design AT20B40	Light Pole Foundation, 24" x 8" Deep	Pull Box, 725.08, 18"	Trench, 24" Deep	Conduit, 2", 725.04	Conduit, 3", 725.04	No. 4 AWG 2400 Volt Distribution Cable	No. 10 AWG Pole and Bracket Cable	1/2" Duct Cable With Three No. 4 AWG 5000 Volt Cables	Connection, Fused Pull Apart	Connection, Unfused Pull Apart	Connection, Unfused Bolted	Connection, Unfused Permanent	Power Service, As Per Plan	Ground Rod	Structure Grounding System		
					EACH	EACH	EACH	EACH	EACH	EACH	FT	FT	FT	FT	FT	FT	FT	EACH	EACH	EACH	EACH	EACH	EACH	EACH	
SHEET 269																									
1	269	L+	US-44	346+82		1		1	1								124	2							
2	269	L+	US-44	346+82 to 349+44							262											1			
3	269	L+	US-44	349+44																	2				
4	269	L+	US-44	349+44 to 349+73																					
5	269	L+	US-44	349+73																					
6	269	L+	US-44	349+73 to 350+12							39														
7	269	L+	US-44	350+12		1		1	1								124	2							
8	269	L+	US-44	350+12 to 353+17							305												1		
9	269	L+	US-44	353+17		1		1	1								124	2							
10	269	L/R	44/D	353+17 to 554+20							212			146									1		
11	269	R+	US-44	347+89		1		1	1								124	2							
12	269	R+	US-44	347+89 to 348+51							62												1		
13	269	R+	US-44	348+51																					
14	269	R+	US-44	348+51 to 348+80																					
15	269	R+	US-44	348+80																					
16	269	R+	44/D	348+80 to 554+20							540														
17	269	R+	RAMP D	554+20		1		1	1								124	1	1	2					
18	269	R+	RAMP D	554+20 to 556+15							195												1		
19	269	R+	RAMP D	556+15		1		1	1								114	1	1	2					
20	269	R+	44/D	355+62 to 556+15							85			39									1		
21	269	R+	US-44	355+62		1		1	1								124	2							
22	269	R+	RAMP D	556+15 to 560+30							415												1		
SHEET 270																									
23	270	R+	SR-402	54+90		1		1	1								114	2							
24	270	L/R	SR-402	53+88 to 54+90							188			97									1		
25	270	L+	SR-402	53+88		1		1	1								124	2							
26	270	L+	SR-402	51+32 to 53+88							256												1		
27	270	L+	SR-402	51+32																					
28	270	L+	SR-402	48+78 to 51+32																					
29	270	L+	SR-402	48+78																					
30	270	L+	128/402	45+10 to 48+78																					
31	270	L/R	D/128	560+30 to 45+20							660														
32	270	R+	SR-402	46+22		1		1	1								114	2							
33	270	L/R	128/402	45+10 to 46+22							170			115									1		
34	270	R+	128/C	45+20 to 475+86							1030														
35	270	L+	CR-128	45+10		1		1	1								114	1	1	2					
36	270	L+	CR-128	44+10 to 45+10							100														
37	270	L+	CR-128	44+10																					
38	270	L+	CR-128	44+10 to 45+20							110														
39	270	L/R	CR-128	44+10 to 45+20							159			49											
40	270	L+	RAMP B	275+49		1		1	1								114	2							
41	270	L+	USR-44	357+98				1	1								124	2							
42	270	L+	RAMP B	275+49 to 276+01							52												1		
43	270	L/R	B/44	275+49 to 357+98							83			83											
SUBTOTALS CARRIED TO GENERAL SUMMARY					6	7	5	8	13	6	5311	312	609	1026	1562	5471	23	3	6	12	1	13	1		

LIGHTING PLAN SUB-SUMMARY

CHP - 44 - 11.29



CALCULATED
RNM
CHECKED
CWR

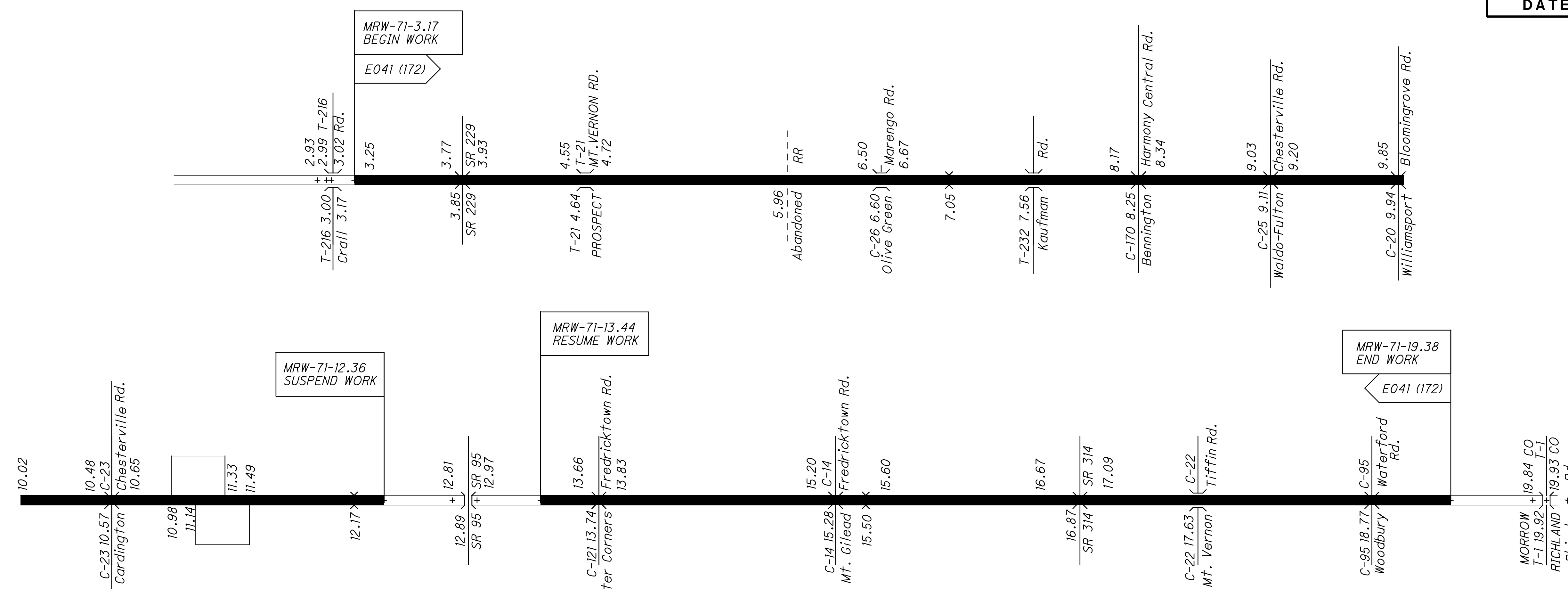


MATCH LINE STA. 360+00

LIGHTING PLAN
STA. 345+50 TO STA. 360+00

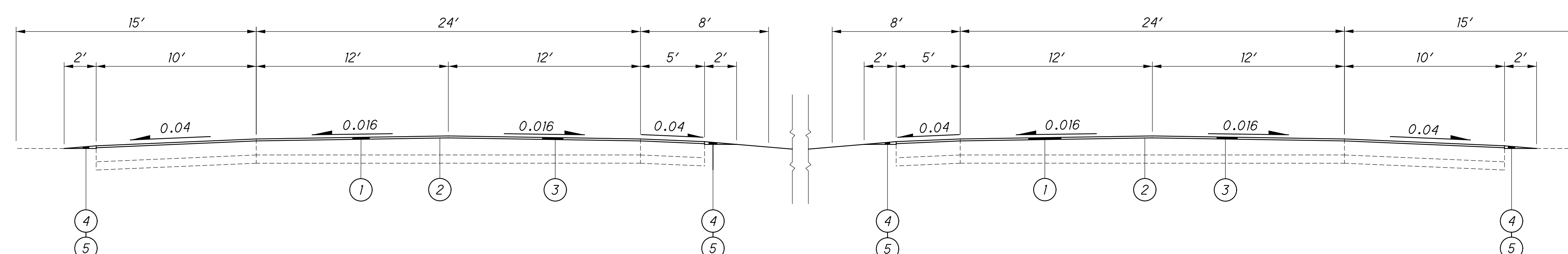
FOR LEGEND, SEE SHEET 264.
FOR QUANTITIES, SEE SHEET 267.

CHP-44-11.29



*** NOTES**

MAINTAIN THE EXISTING PAVEMENT CROSS SLOPE. SHOULDER WIDTH MAY VARY NEAR EXISTING RAMPS AND CROSSOVERS.



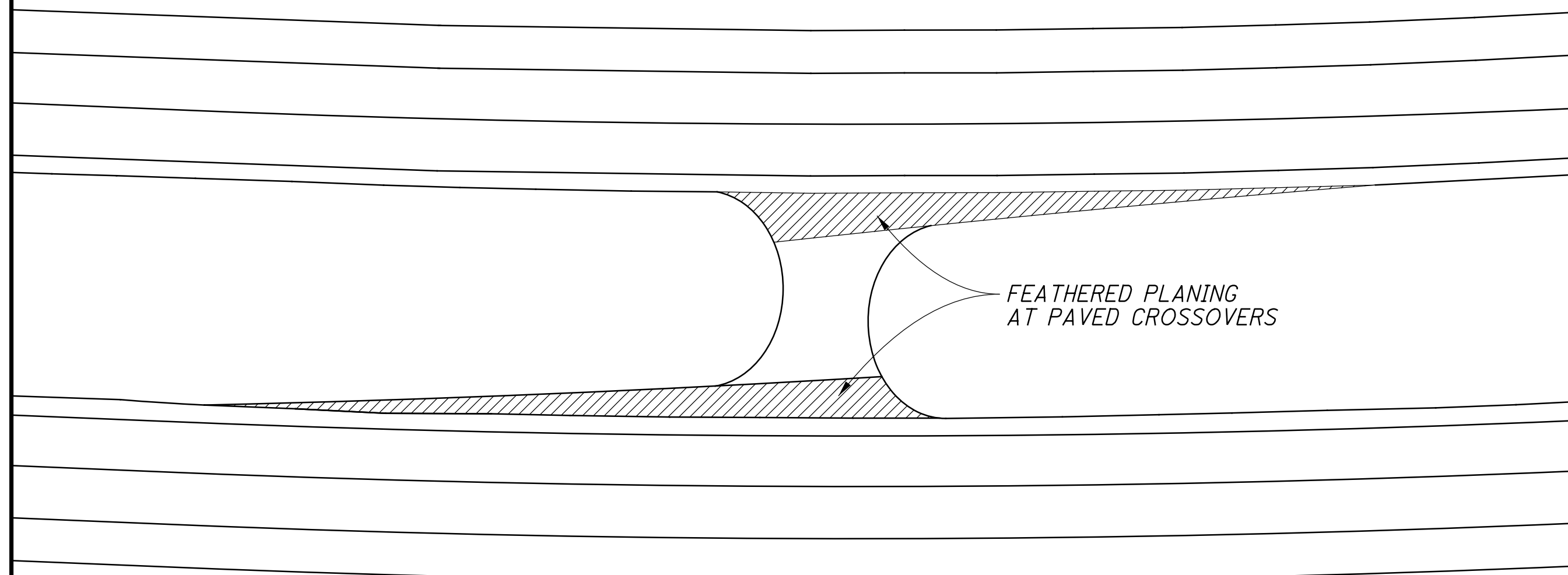
LEGEND

- ① ITEM 254 - 1/2" PAVEMENT PLANING, ASPHALT CONCRETE
- ② ITEM 407 - TACK COAT
- ③ ITEM 441 - 1/2" ASPHALT CONCRETE SURFACE COURSE, TYPE 1, (446), PG 64-22
- ④ ITEM 408 - PRIME COAT @ 0.4 GALLONS PER SQ. YD.
- ⑤ ITEM 617 - COMPACTED AGGREGATE

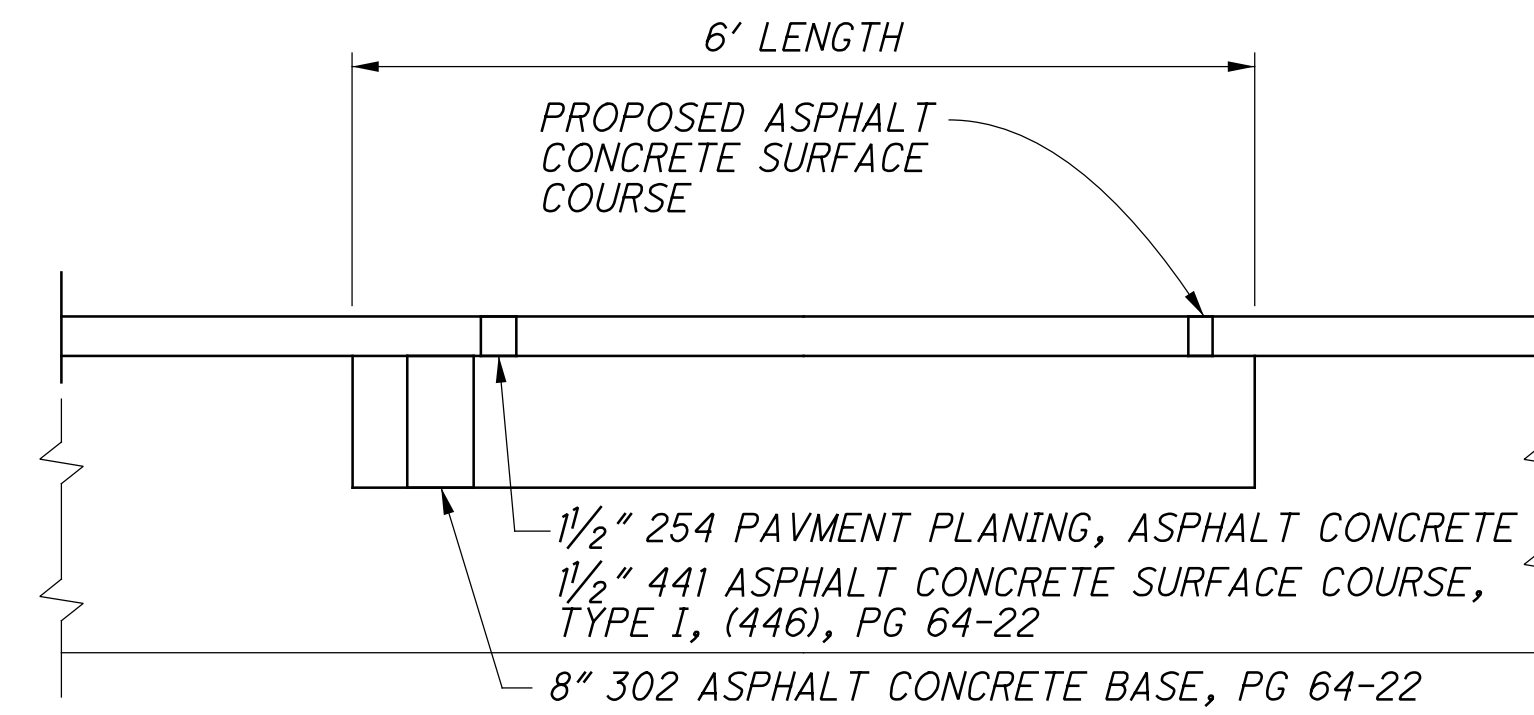
RESURFACING

MRW - 71 - 3.17

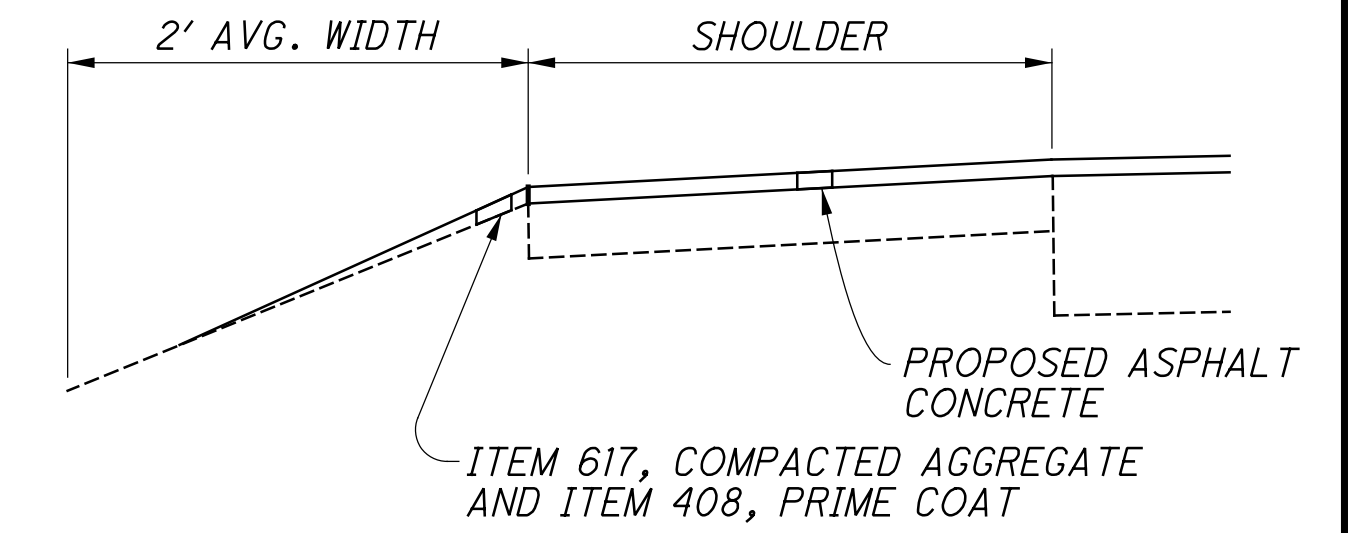
CROSSOVER DETAIL



PARTIAL DEPTH PAVEMENT REPAIR AS PER PLAN



SHOULDER DETAIL



SP 1315-2

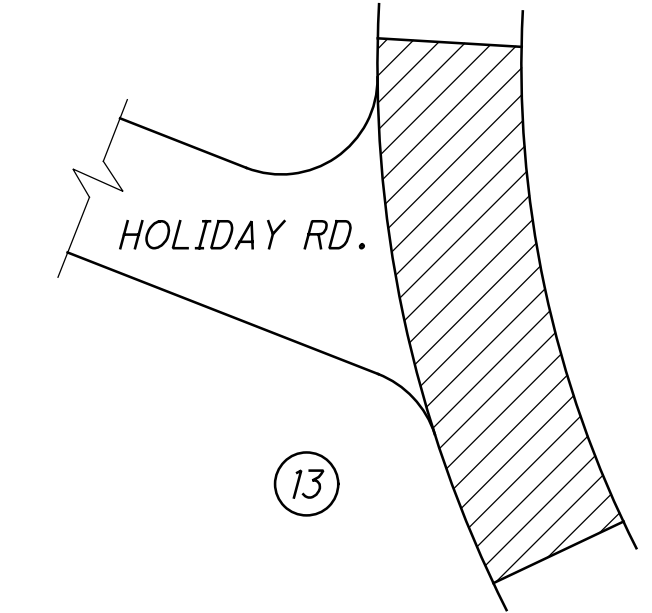
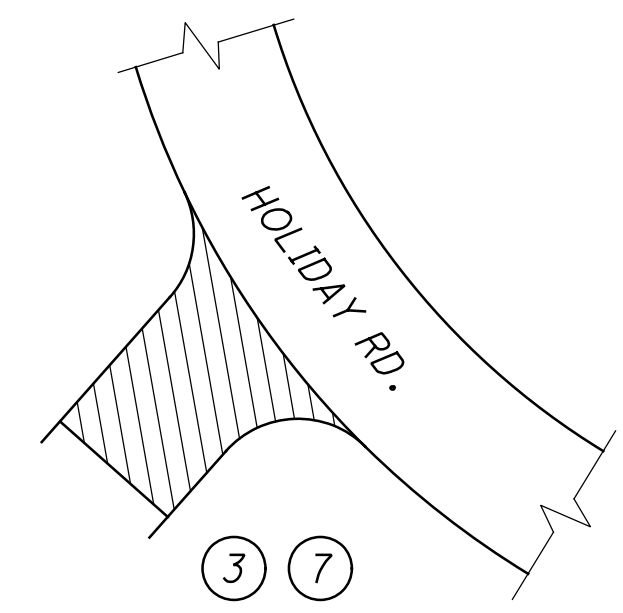
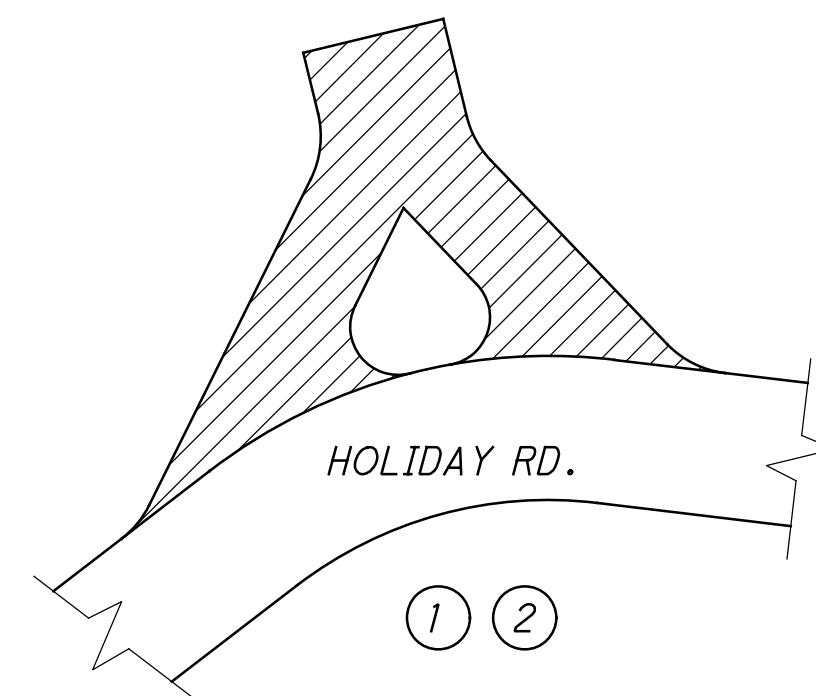
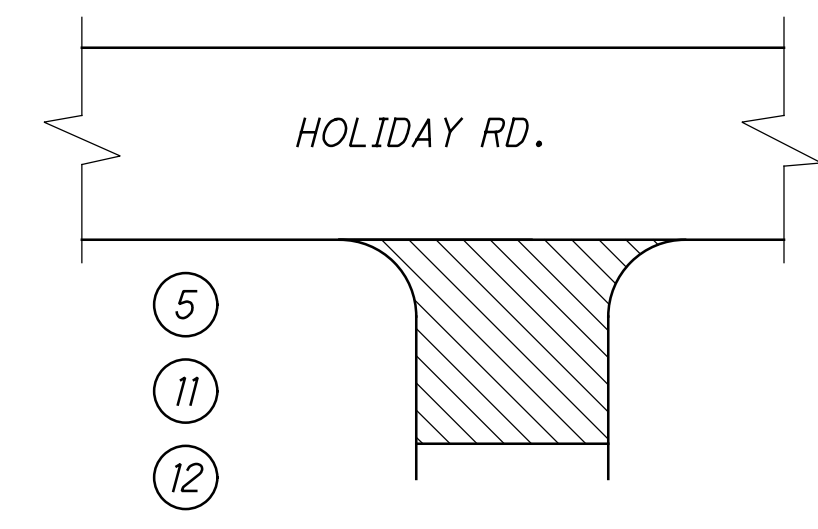
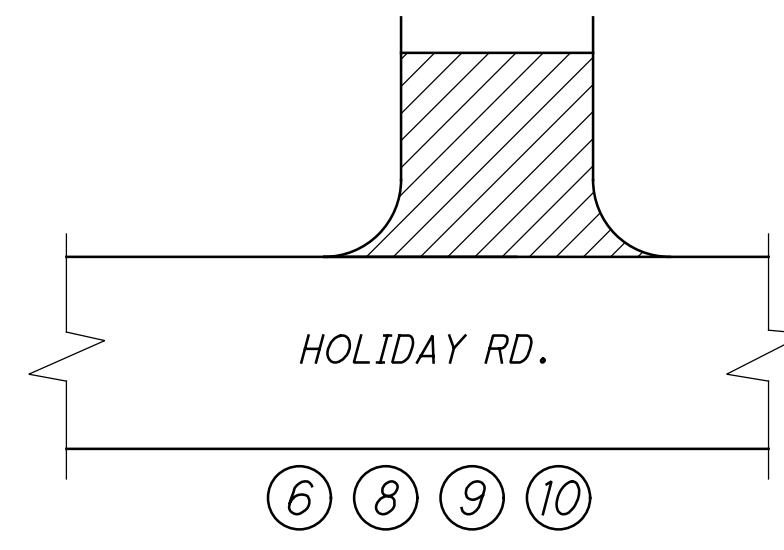
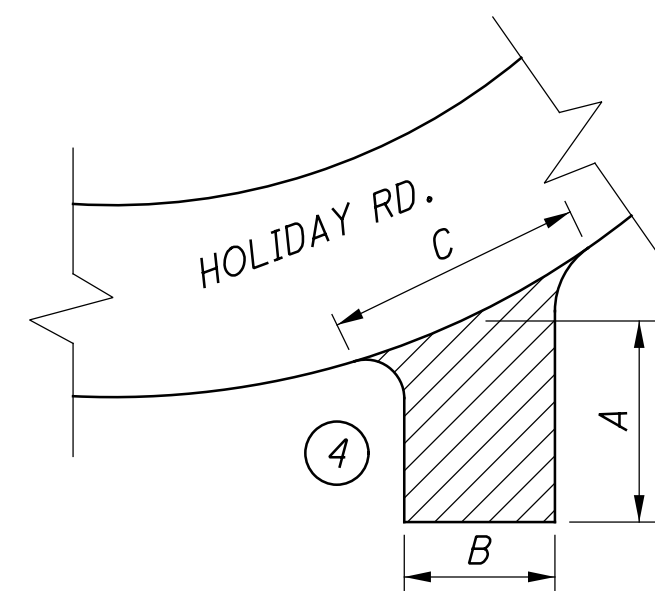
DATE: JULY 2022

CALCULATED RDK
CHECKED RDK

PAVEMENT SUBSUMMARY AND DETAILS

LOCATION					PAVEMENT WIDTH							QUANTITIES						REMARKS
COUNTY	ROUTE	S L M	S L M	TYPICAL	NORTHBOUND				SOUTHBOUND			254	407	408	441	617	618	REMARKS
					LENGTH	OUTSIDE SHOULDER	PAVEMENT	MEDIAN SHOULDER	MEDIAN SHOULDER	PAVEMENT	OUTSIDE SHOULDER	PAVEMENT PLANING, ASPHALT CONCRETE	TACK COAT	PRIME COAT (0.4 GAL/YD ²)	ASPHALT CONCRETE SURFACE COURSE, TYPE 1, (446), PG 64-22	COMPACTED AGGREGATE	RUMBLE STRIPS, SHOULDER (ASPHALT CONCRETE)	
					FT	FT	FT	FT	FT	FT	FT	1/2" DEPTH SY	GAL	GAL	1/2" DEPTH CY	2" DEPTH CY	FT	
MRW	71	3.17	12.07	1	46,992'	10'	24'	5'				203,632	15,272	8,354	8,485	1,161	93,984	MAINLINE (SOUTH OF SR-95)
MRW	71	3.17	12.36	1	48,523'				5'	24'	10'	210,267	15,770	8,626	8,761	1,198	97,046	MAINLINE (SOUTH OF SR-95)
MRW	71	13.44	19.38	1	31,363'	10'	24'	5'				135,907	10,193	5,576	5,663	775	62,726	MAINLINE (NORTH OF SR-95)
MRW	71	13.57	19.38	1	30,677'				5'	24'	10'	132,933	9,970	5,454	5,539	758	61,354	MAINLINE (NORTH OF SR-95)
MRW	71	10.99	11.14	1	792'	10'	32'*					3,696	277		154			EXTRA AREA (RAMP TAPER)
MRW	71	11.39	11.70	1	1,637'	10'	32'*					7,638	573		318			EXTRA AREA (RAMP TAPER)
MRW	71	11.33	11.48	1	792'					32'*	10'	3,696	277		154			EXTRA AREA (RAMP TAPER)
MRW	71	10.75	11.06	1	1,637'					32'*	10'	7,638	573		318			EXTRA AREA (RAMP TAPER)
MRW	71	4.41										340	25		14			* AVERAGE PAVEMENT WIDTH
MRW	71	6.67													10			EXTRA AREA (PAVED CROSSOVER)
MRW	71	7.40										340	25		14			GRAVEL CROSSOVER
MRW	71	10.37										340	25		14			EXTRA AREA (PAVED CROSSOVER)
MRW	71	11.98										340	25		14			EXTRA AREA (PAVED CROSSOVER)
MRW	71	13.63										340	25		14			EXTRA AREA (PAVED CROSSOVER)
MRW	71	14.67													10			GRAVEL CROSSOVER
MRW	71	15.06													10			GRAVEL CROSSOVER
MRW	71	15.60													10			GRAVEL CROSSOVER
MRW	71	16.75										340	25		14			EXTRA AREA (PAVED CROSSOVER)
MRW	71	17.52													10			GRAVEL CROSSOVER
MRW	71	18.03													10			GRAVEL CROSSOVER
MRW	71	5.96	6.01		255'	10'	24'	5'	5'	24'	10'	-2,210	-2	-45	-92	-6	-510	DEDUCTIONS & EXTRA AREAS
MRW	71	7.05	7.07		120'	10'	24'	5'	5'	24'	10'	-1,039	4	-21	2	-3	-240	DEDUCTIONS & EXTRA AREAS
MRW	71	7.56	7.59		145'	10'	24'	5'	5'	24'	10'	-1,254	5	-26	3	-4	-289	DEDUCTIONS & EXTRA AREAS
MRW	71	12.17	12.19		103'	10'	24'	5'	5'	24'	10'	-892	3	-18	2	-3	-206	DEDUCTIONS & EXTRA AREAS
MRW	71	15.50	15.52		80'	10'	24'	5'	5'	24'	10'	-691	3	-14	1	-2	-159	DEDUCTIONS & EXTRA AREAS
MRW	71	17.63	17.68		257'	10'	24'	5'	5'	24'	10'	-2,224	9	-46	5	-6	-513	DEDUCTIONS & EXTRA AREAS
MRW	71	18.77	18.80		155'	10'	24'	5'	5'	24'	10'	-1,341	5	-28	3	-4	-309	DEDUCTIONS & EXTRA AREAS
TOTALS CARRIED TO SUBSUMMARY												697,797	53,082	27,812	29,400	3,924	312,883	

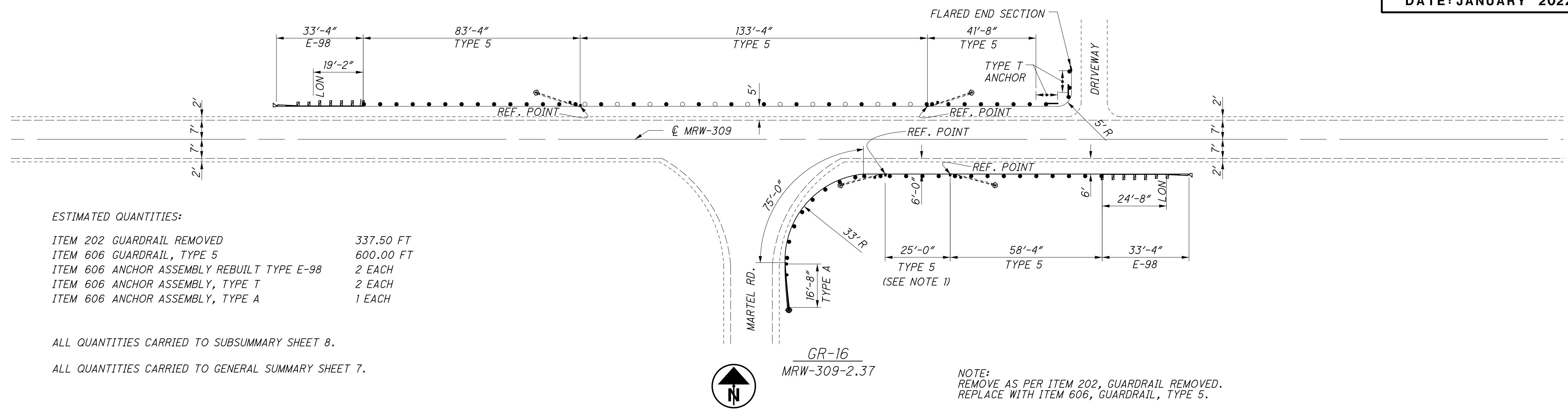
MRW - 71 - 3.17



PART	ROUTE	SLM	SIDE	DESCRIPTION	INTERSECTIONS				PROPOSED ITEMS						
					A	B	C	AREA	407	441		EXISTING SURFACE	408		
									TACK COAT	ASPHALT CONCRETE SURFACE COURSE, TYPE 1, (446), PG 64-22	ASPHALT CONCRETE INTERMEDIATE COURSE, TYPE 2, (446)		PRIME COAT (@ 0.40 GAL/YD²)		
FT	FT	FT	YD²	GAL	THICKNESS	QUANTITY	THICKNESS	QUANTITY	GAL						
	CR-444	0.00 - 5.88	LT	① POOR RD. (T-304)	182	17	59	1,194		1.00	33	1.75	58	GRAVEL/TAR & CHIP	478
			LT	② POOR RD. SPUR (T-304)	43	17	43	206		1.00	6	1.75	10	GRAVEL/TAR & CHIP	82
			RT	③ VISTA RD. (T-223)	39	20	85	369	28	1.00	10	1.75	18	ASPHALT	
			RT	④ TURNER RD. (T-156)	35	17	65	253		1.00	7	1.75	12	GRAVEL	101
			RT	⑤ BASIL RD. (T-155/CRI56)	70	18	120	934	70	1.00	26	1.75	45	ASPHALT	
			LT	⑥ WOODY RD. (T-155)	30	16	54	180	14	1.00	5	1.75	9	ASPHALT	
			LT	⑦ McCORD RD. SPUR (T-155A)	70	12	145	1,128		1.00	31	1.75	55	GRAVEL	451
			LT	⑧ BUMP RD. (T-215)	30	18	70	234	17	1.00	7	1.75	11	ASPHALT	
			LT	⑨ ROUND CIRCLE	33	18	50	184	14	1.00	5	1.75	9	ASPHALT	
			LT	⑩ GRAPE RD. (T-485)	30	18	95	317	24	1.00	9	1.75	15	ASPHALT	
			RT	⑪ SOUTHERN DR.	24	18	40	107	8	1.00	3	1.75	5	ASPHALT	
			RT	⑫ CHIP RD. (T-316)	60	18	96	640	48	1.00	18	1.75	31	ASPHALT	
			LT	⑬ HOLIDAY RD./SR 32	60	26	112	747	56	1.00	21	1.75	36	ASPHALT	
TOTAL								6,493							
TOTALS (CARRIED TO SHEET 10)									279		181	314		1,112	

CALCULATIONS

KNO - 444 - 0.00



ESTIMATED QUANTITIES:

ITEM 202 GUARDRAIL REMOVED	337.50 FT
ITEM 606 GUARDRAIL, TYPE 5	600.00 FT
ITEM 606 ANCHOR ASSEMBLY REBUILT TYPE E-98	2 EACH
ITEM 606 ANCHOR ASSEMBLY, TYPE T	2 EACH
ITEM 606 ANCHOR ASSEMBLY, TYPE A	1 EACH

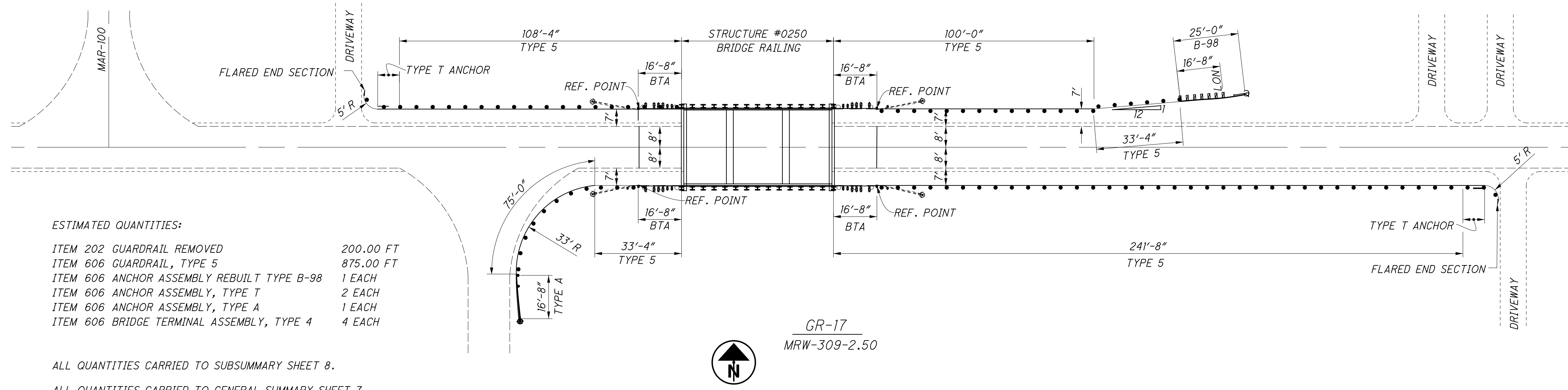
ALL QUANTITIES CARRIED TO SUBSUMMARY SHEET 8.

ALL QUANTITIES CARRIED TO GENERAL SUMMARY SHEET 7.



GR-16
MRW-309-2.37

NOTE:
REMOVE AS PER ITEM 202, GUARDRAIL REMOVED.
REPLACE WITH ITEM 606, GUARDRAIL, TYPE 5.



ESTIMATED QUANTITIES:

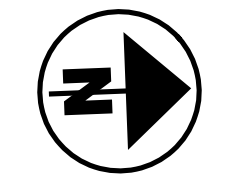
ITEM 202 GUARDRAIL REMOVED	200.00 FT
ITEM 606 GUARDRAIL, TYPE 5	875.00 FT
ITEM 606 ANCHOR ASSEMBLY REBUILT TYPE B-98	1 EACH
ITEM 606 ANCHOR ASSEMBLY, TYPE T	2 EACH
ITEM 606 ANCHOR ASSEMBLY, TYPE A	1 EACH
ITEM 606 BRIDGE TERMINAL ASSEMBLY, TYPE 4	4 EACH

ALL QUANTITIES CARRIED TO SUBSUMMARY SHEET 8.

ALL QUANTITIES CARRIED TO GENERAL SUMMARY SHEET 7.



GR-17
MRW-309-2.50



BENCHMARK DATA

BM #1 - STA. 929+41.07, OFFSET 51.90' LT,
NAIL ELEV. = 635.54

FOR ADDITIONAL BENCHMARK INFORMATION, SEE
ROADWAY PLAN SHEET 2 OF 40.

NOTES:

EARTHWORK LIMITS SHOWN ARE APPROXIMATE. ACTUAL
SLOPES SHALL CONFORM TO PLAN CROSS SECTIONS.

DESIGN TRAFFIC:

2015 ADT = 4600 2015 ADTT = 874
2035 ADT = 5800 2035 ADTT = 1102
DIRECTIONAL DISTRIBUTION = 55%

LEGEND:

- HW - HIGHWATER
- E - EXPANSION
- - ORIGINAL SOIL BORING LOCATION
- REST - RESTRAINED
- ★ - 2ND GUARDRAIL POST STATION
- ▨ - CHANNEL EXCAVATION

HYDRAULIC DATA

DRAINAGE AREA = 428 sq miles
Q(25) = 10800 cfs V(25) = 6.0 ft/s
Q(100) = 13000 cfs V(100) = 6.6 ft/s
STRUCTURE CLEARS THE 25 YEAR DESIGN HW BY 0.87 FEET.

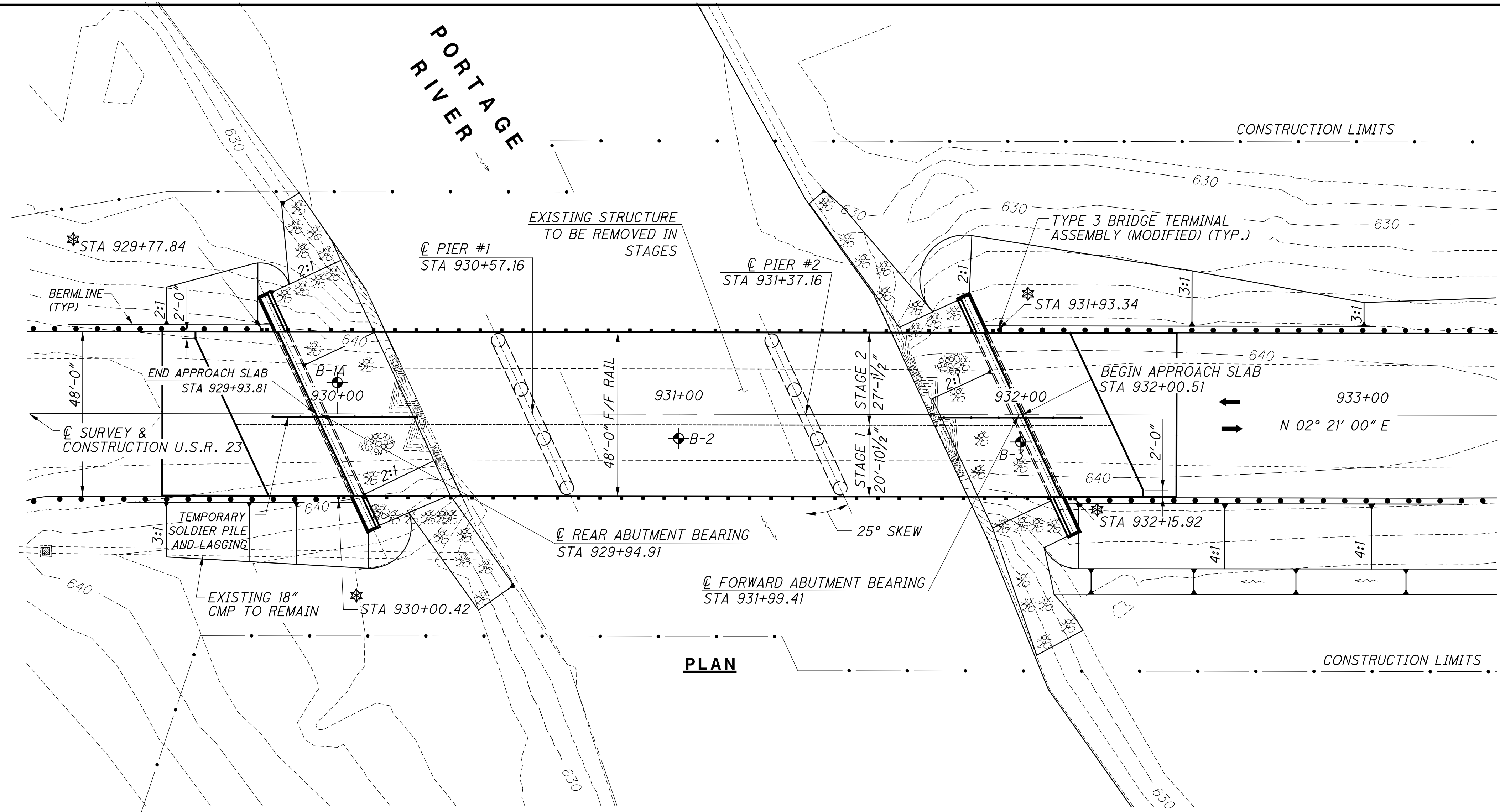
**EXISTING STRUCTURE
(TO BE REMOVED)**

TYPE: CONTINUOUS STEEL BEAM WITH COMPOSITE REINFORCED
CONCRETE DECK AND SUPERSTRUCTURE
SPANS: 46'-0"±, 58'-0"±, 46'-0"± C/C BEARINGS
ROADWAY: 27'-0"± F/F RAIL
LOADING: H-15
SKEW: 25° RF
APPROACH SLABS: NONE
ALIGNMENT: TANGENT
CROWN: 3/16" PER FOOT
STRUCTURAL FILE NUMBER: 8701504
DATE BUILT: 1945 CONDITION: FAIR
DISPOSITION: TO BE REMOVED IN STAGES

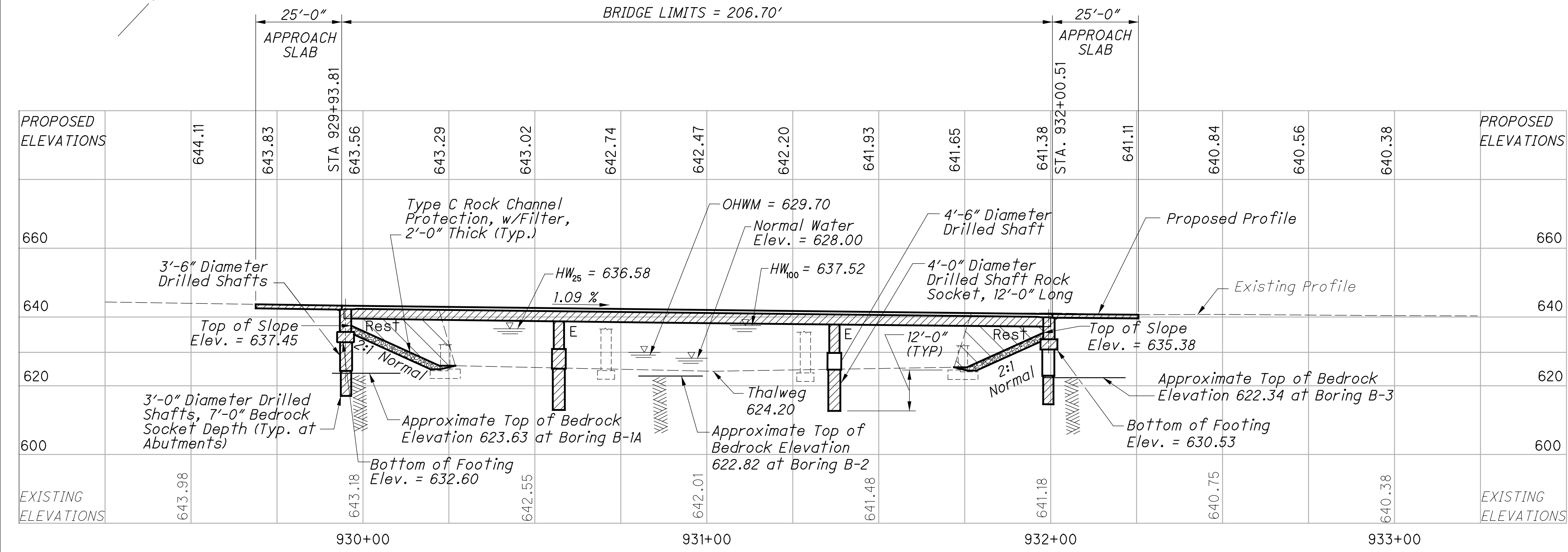
PROPOSED STRUCTURE

TYPE: 3-SPAN CONTINUOUS A588 WEATHERING STEEL BEAM
WITH COMPOSITE REINFORCED CONCRETE DECK ON CAP
AND COLUMN PIERS, AND SEMI-INTEGRAL ABUTMENT ON
DRILLED SHAFTS
SPANS: 62'-3", 80'-0", 62'-3" C/C BEARINGS
ROADWAY: 48'-0" F/F GUARDRAIL
LOADING: HS25 CASE II AND ALTERNATE MILITARY
SKEW: 25° RF TO C/SURVEY & CONSTRUCTION
APPROACH SLABS: 25'-0" LONG (AS-1-81)
WEARING SURFACE: MONOLITHIC CONCRETE
ALIGNMENT: TANGENT
CROWN: 3/16" PER FOOT
DECK AREA = 9,922 SQ.FT.
COORDINATES: LATITUDE 41°25'27.21"N
LONGITUDE 83°25'12.05"W

SITE PLAN
BRIDGE NO. WOO-23-1760 OVER THE PORTAGE RIVER
STA. 929+93.81 TO STA. 932+00.51



PLAN

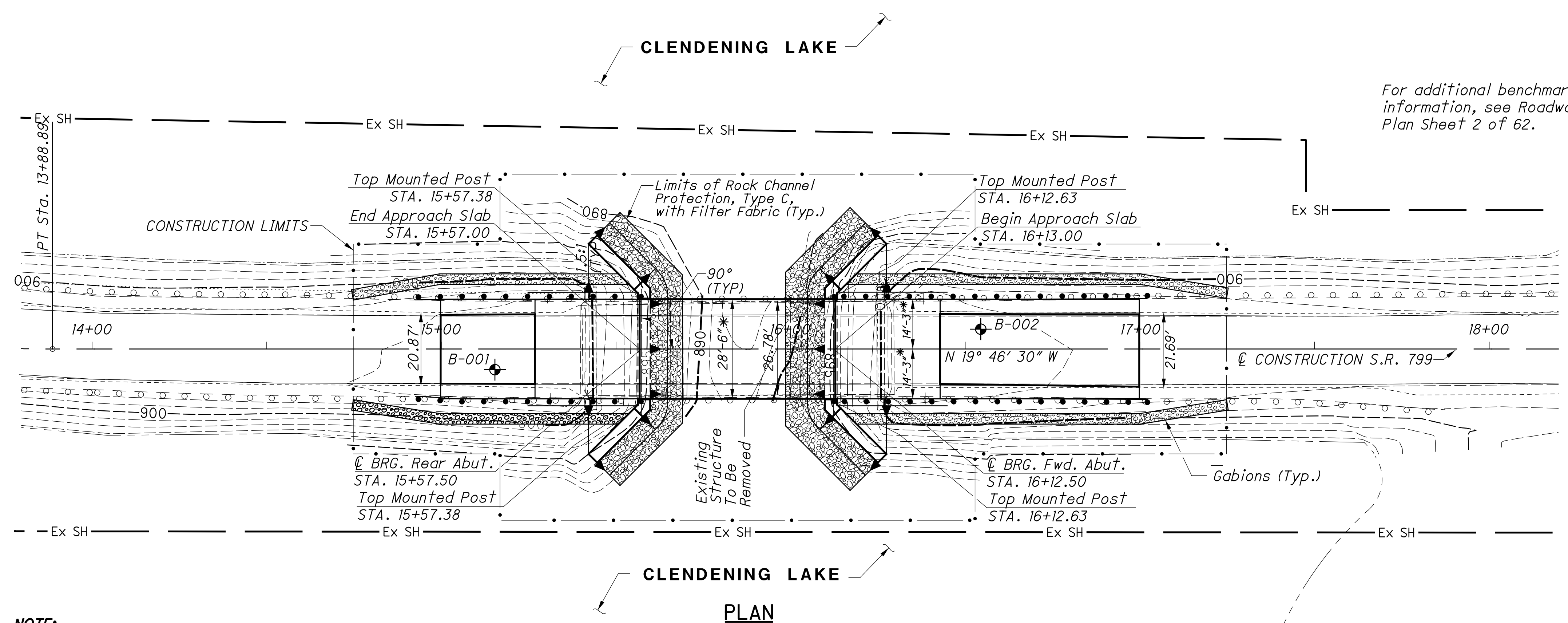
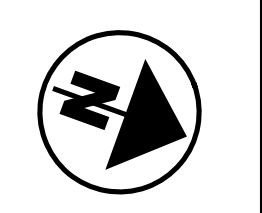


PROFILE ALONG C/SURVEY & CONSTRUCTION U.S. 23

WOO-23-17.60

MODEL: Sheet PAPER: 34x22 (in.) DATE: 2/9/2022 TIME: 3:46:37 PM USER: tpeffros
 p:\ehlodot-pw\benfley\com\ohdot-pw-02\Documents\03_Standards\Sample_Plans\SP1316-1\2020-01.dgn

SFN	8701512
DESIGN AGENCY	ODOT-CO STRUCTURAL ENGINEERING
DESIGNER	BCW
CHECKER	DB
REVIEWER	TAA
PROJECT ID	07-13-17
SUBSET	123456
SHEET	1
TOTAL	20
TOTAL	40



For additional benchmark information, see Roadway Plan Sheet 2 of 62.

BENCHMARK DATA		
BM #1, IPF, STA. 10+43.26, OFFSET 12.67' LEFT,	ELEV. =	906.40
BM #2, IPF, STA. 15+01.16, OFFSET 12.21' RIGHT,	ELEV. =	903.22
BM #3, IPF, STA. 18+98.99, OFFSET 14.27' LEFT,	ELEV. =	902.52

NOTES
EARTHWORK LIMITS SHOWN ARE APPROXIMATE. ACTUAL SLOPES SHALL CONFORM TO PLAN CROSS SECTIONS.

DESIGN TRAFFIC:
2016 ADT = 540 2016 ADTT = 38
2036 ADT = 550 2036 ADTT = 39
DIRECTIONAL DISTRIBUTION = 53%

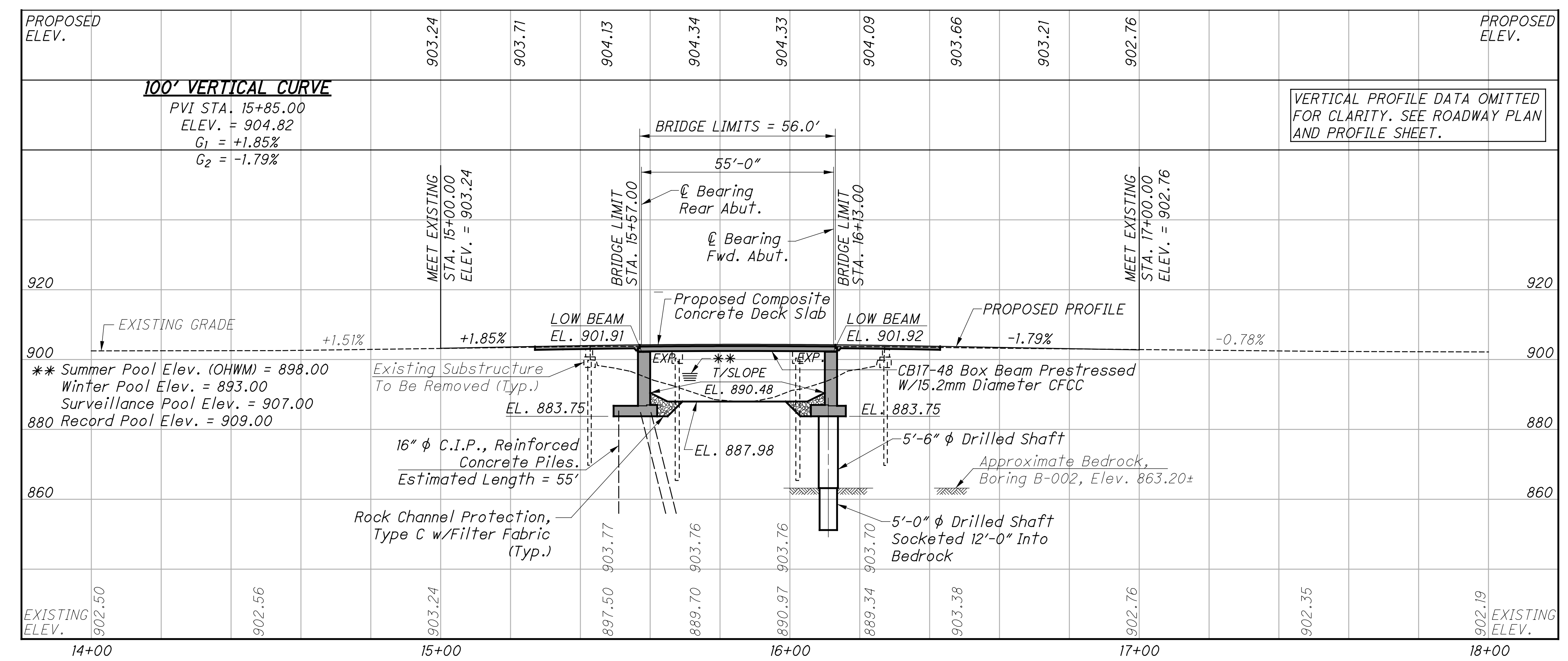
LEGEND
◆ APPROXIMATE BORING LOCATION
CFCC = CARBON FIBER COMPOSITE CABLE

HYDRAULIC DATA
DRAINAGE AREA = 2.81 SQ. MILES SPILLWAY ELEV. = 910.50
TOP OF DAM ELEV. = 925.50

- PROPOSED WORK**
1. REMOVE EXISTING WEARING SURFACE, RAILING, BOX BEAMS, ABUTMENTS, PIER CAPS, AND PORTIONS OF EXISTING PIER PILES.
 2. CONSTRUCT NEW ABUTMENTS AND WINGWALLS.
 3. INSTALL NEW ABUTMENT BEARINGS.
 4. SET BOX BEAMS WITH WATERTIGHT RUBBER SEALS AT ALL DUCT LOCATIONS, AS WELL AS 4"x4"x1" PLYWOOD SPACERS AT LOCATIONS IN PLANS.
 5. INSTALL STRANDS IN DUCTS FOR POST-TENSIONING, GROUT JOINTS/ SHEAR KEYS AND ALLOW TO COME TO STRENGTH BEFORE POST-TENSIONING BEAMS.
 6. FULLY POST-TENSION TRAVERSELY AT ALL DIAPHRAGM LOCATIONS, GROUT THE DUCTS.
 7. CONSTRUCT THE DECK SLAB, ABUTMENT ABOVE THE BRIDGE SEAT AND APPROACH SLABS.
 8. INSTALL TWIN TUBE RAILING.
 9. SEAL ALL CONCRETE SURFACES.

NOTE:
The pool elevations are maintained by USACE, Huntington District, by controlling the flow at the outlet or spillway. The Contractor is responsible for coordinating construction activities with the owner.

* Includes 1" gap between beams for post-tensioning



VERTICAL PROFILE DATA OMITTED FOR CLARITY. SEE ROADWAY PLAN AND PROFILE SHEET.

EXISTING STRUCTURE	
TYPE:	PRESTRESSED CONCRETE BOX BEAMS ON CAPPED PILE ABUTMENTS AND PIERS
SPANS:	24'-0", 33'-0", 24'-0" C/C BEARINGS
ROADWAY:	26'-8" F/F SAFETY CURB
LOADING:	HS20-44 SKEW: NONE
WEARING SURFACE:	2 3/4" ASPHALT CONCRETE
APPROACH SLABS:	NONE ALIGNMENT: TANGENT
CROWN:	3/16" PER FOOT DATE BUILT: 1983
STRUCTURAL FILE NUMBER:	3403173
DISPOSITION:	STRUCTURE TO BE REPLACED

PROPOSED STRUCTURE	
TYPE:	SINGLE SPAN PRESTRESSED CONCRETE COMPOSITE BOX BEAMS WITH CFCC STRANDS, TRAVERSELY POST-TENSIONED, WITH SEMI-INTEGRAL WALL TYPE ABUTMENTS SUPPORTED ON CAST-IN-PLACE PILES AND DRILLED SHAFTS
SPANS:	55'-0" C/C BEARINGS
ROADWAY:	28'-6" F/F GUARDRAIL TOE/TOE PARAPET
LOADING:	HL-93 AND 60 PSF FUTURE WEARING SURFACE
SKEW:	NONE
WEARING SURFACE:	MONOLITHIC CONCRETE
APPROACH SLABS:	30'-0" LONG (AS-1-81)
ALIGNMENT:	TANGENT CROWN: 3/16" FT/FT
DECK AREA:	1,568 SQ.FT.
COORDINATES:	LATITUDE 40°14'45.83"N LONGITUDE 81°12'07.62"W

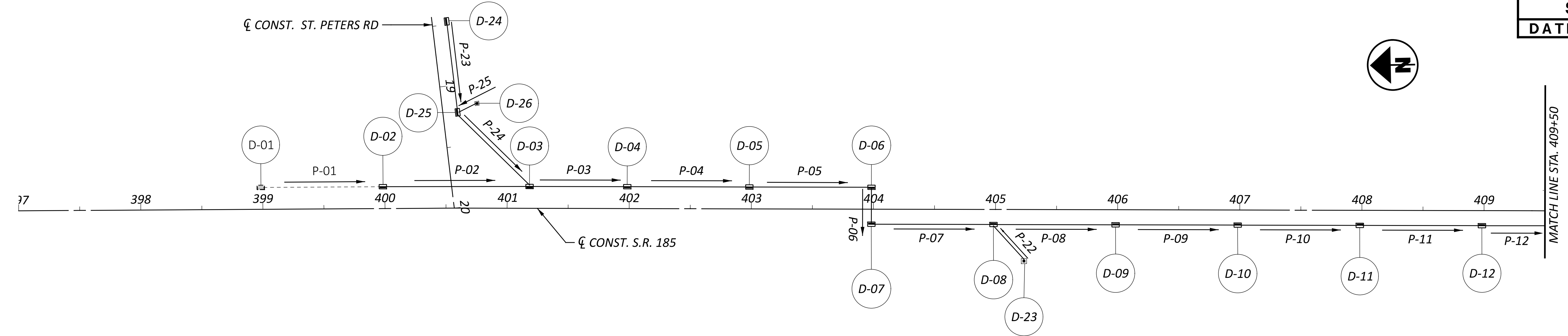
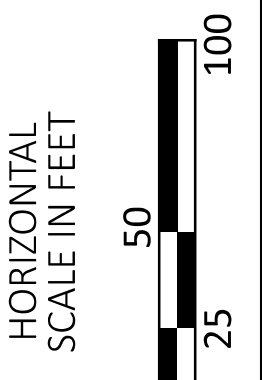
PROFILE ALONG ϕ SURVEY AND ϕ CONSTRUCTION S.R. 799

SITE PLAN
 BRIDGE NO. HAS-799-0380 OVER CLENDENING LAKE
 STA. 15+57.00 TO STA. 16+13.00

HAS-799-0380

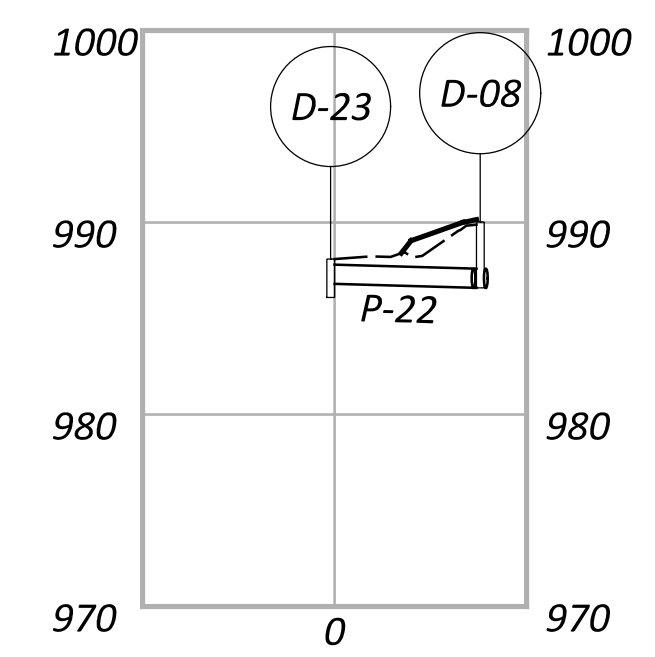
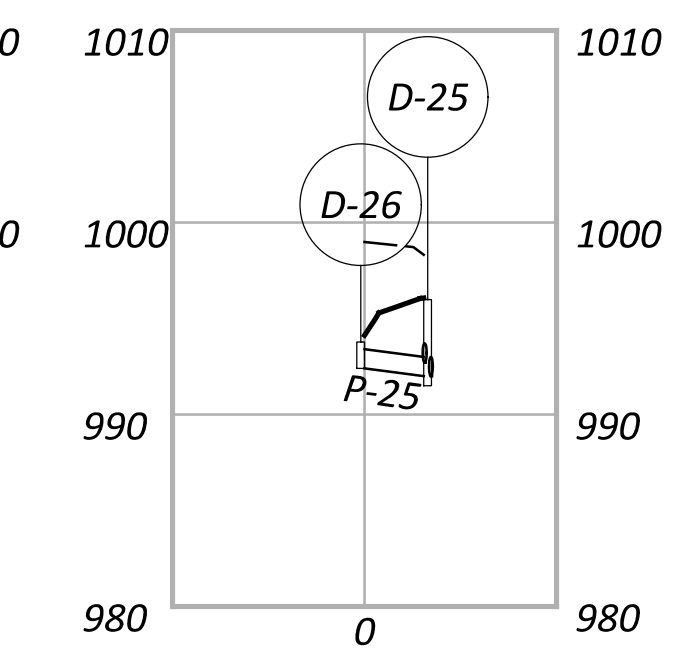
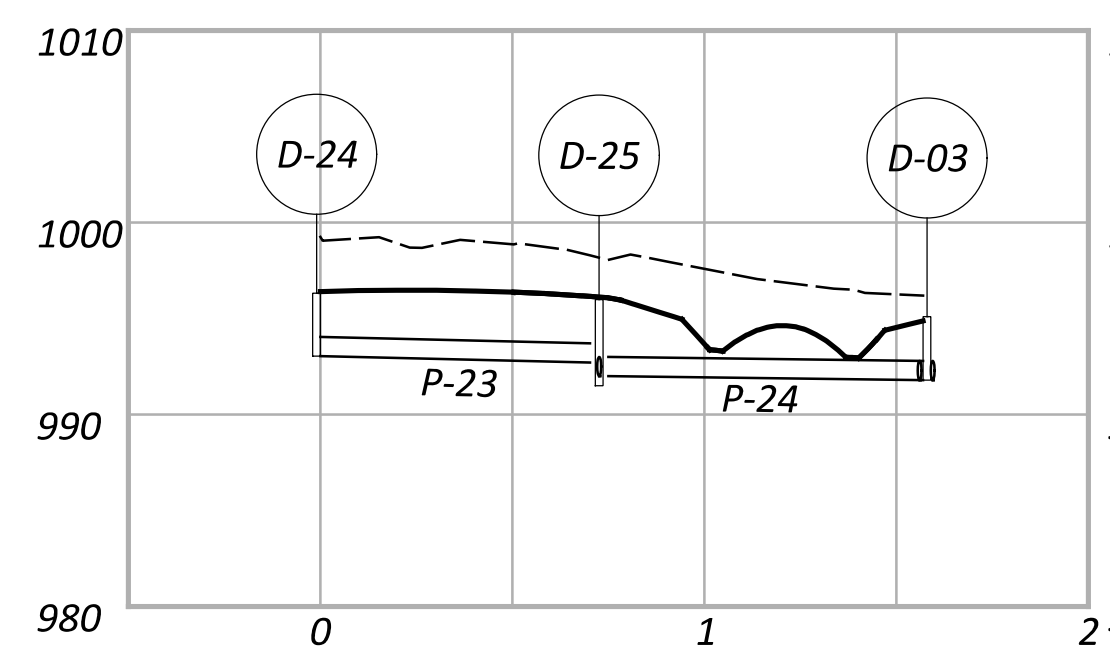
MODEL: Sheet PAPER: 34x22 (in.) DATE: 2/9/2022 TIME: 3:47:29 PM USER: tpeffros
 p:\ehlodot-pw\bentley.com\ehlodot-pw-02\Documents\03_Standards\Sample_Plans\SP1316-2_2020-01.dgn

SFN	3410000
DESIGN AGENCY	LJB Inc., 2500 Newmark Dr., Miami, OH 45342
AMM	AMT
REVIEWER	DWS
PROJECT ID	91603
SUBSET	TOTAL
1	21
SHEET	TOTAL
24	59

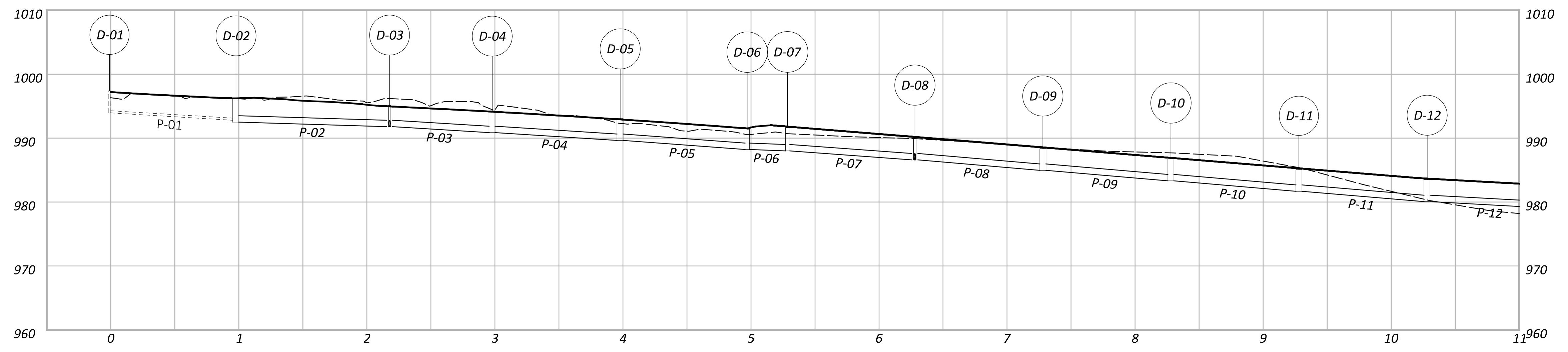


DRAINAGE CONDUIT DETAILS									
REF. NO.	LENGTH (FT)	SIZE	TYPE	SLOPE	START STRUCT. REF. NO.	START INVERT ELEV.	STOP STRUCT. REF. NO.	STOP INVERT ELEV.	EXISTING DISPOSITION
P-01	100.00	4"	EX. CMP	1.16 %	D-01	993.95	D-02	992.79	TO BE REMOVED
P-02	120.00	12"	TYPE B	0.59 %	D-02	992.50	D-03	991.79	
P-03	80.00	12"	TYPE B	1.16 %	D-03	991.79	D-04	990.86	
P-04	100.00	12"	TYPE B	1.22 %	D-04	990.86	D-05	989.64	
P-05	100.00	12"	TYPE B	1.42 %	D-05	989.64	D-06	988.22	
P-06	30.00	12"	TYPE B	0.73 %	D-06	988.22	D-07	988.00	
P-07	100.00	12"	TYPE B	1.40 %	D-07	988.00	D-08	986.60	
P-08	100.00	12"	TYPE B	1.64 %	D-08	986.60	D-09	984.96	
P-09	100.00	12"	TYPE B	1.64 %	D-09	984.96	D-10	983.32	
P-10	100.00	12"	TYPE B	1.64 %	D-10	983.32	D-11	981.68	
P-11	100.00	12"	TYPE B	1.61 %	D-11	981.68	D-12	980.07	
P-12	100.00	12"	TYPE B	1.04 %	D-12	980.07	D-13	979.03	
P-22	39.00	12"	TYPE B	0.51 %	D-23	986.80	D-08	986.60	
P-23	75.00	12"	TYPE B	0.44 %	D-24	993.04	D-25	992.71	
P-24	85.00	12"	TYPE B	0.25 %	D-25	992.00	D-03	991.79	
P-25	18.00	12"	TYPE B	2.29 %	D-26	992.40	D-25	992.00	

DRAINAGE STRUCTURE DETAILS									
REF. NO.	REFERENCE ALIGNMENT	STATION	OFFSET	SIDE	TYPE	GRATE/RIM ELEV.	INVERT ELEV.	CONNECTED PIPES	EXISTING DISPOSITION
D-01	S.R. 185	398+98.36	18.22	LT	EX. CB-3	997.37	993.95	(OUT) P-01 S EX. 4" 993.95	TO BE REMOVED
D-02	S.R. 185	399+98.36	18.23	LT	CB-3	996.30	992.50	(IN) P-01 N EX. 4" 992.79, (OUT) P-02 S 12" 992.5	
D-03	S.R. 185	401+18.33	18.21	LT	CB-3	995.10	991.79	(IN) P-24 NE 12" 991.79, (IN) P-02 N 12" 991.79, (OUT) P-03 S 12" 991.79	
D-04	S.R. 185	401+98.34	18.22	LT	CB-3	994.27	990.86	(IN) P-03 N 12" 990.86, (OUT) P-04 S 12" 990.86	
D-05	S.R. 185	402+98.33	18.21	LT	CB-3	993.06	989.64	(IN) P-04 N 12" 989.64, (OUT) P-05 S 12" 989.64	
D-06	S.R. 185	403+98.33	18.21	LT	CB-3	991.63	988.22	(IN) U-1 E 6" 990.63, (IN) P-05 N 12" 988.22, (OUT) P-06 W 12" 988.22	
D-07	S.R. 185	403+98.33	12.63	RT	CB-3	991.63	988.00	(IN) U-2 W 6" 990.63, (IN) P-06 E 12" 988, (OUT) P-07 S 12" 988	
D-08	S.R. 185	404+98.32	12.62	RT	CB-3	990.02	986.60	(IN) P-22 SW 12" 986.6, (IN) P-07 N 12" 986.6, (OUT) P-08 S 12" 986.6	
D-09	S.R. 185	405+98.32	12.62	RT	CB-3	988.38	984.96	(IN) P-08 N 12" 984.96, (OUT) P-09 S 12" 984.96	
D-10	S.R. 185	406+98.33	12.63	RT	CB-3	986.74	983.32	(IN) P-09 N 12" 983.32, (OUT) P-10 S 12" 983.32	
D-11	S.R. 185	407+98.32	12.62	RT	CB-3	985.10	981.68	(IN) P-10 N 12" 981.68, (OUT) P-11 S 12" 981.68	
D-12	S.R. 185	408+98.32	12.62	RT	CB-3	983.48	980.07	(IN) P-11 N 12" 980.07, (OUT) P-12 S 12" 980.07	
D-23	S.R. 185	405+23.33	42.21	RT	CB-2-3	988.10	986.10	(OUT) P-22 NE 12" 986.8	
D-24	ST. PETER RD.	18+47.32	12.36	LT	CB-3	996.32	993.04	(OUT) P-23 W 12" 993.04	
D-25	ST. PETER RD.	19+22.32	12.35	LT	CB-3	995.99	991.50	(IN) P-23 E 12" 992.71, (IN) P-25 SE 12" 992, (OUT) P-24 SW 12" 992	
D-26	ST. PETER RD.	19+17.02	28.68	LT	CB-2-2A	993.77	992.40	(OUT) P-25 NW 12" 992.4	



CROSS REFERENCES	
SHEET NO.	DESCRIPTION
P.15	UNDERDRAIN DETAILS



DRAINAGE DETAILS

DESIGN AGENCY

DESIGNER
JED

REVIEWER
ME 11-21-23

PROJECT ID
123456

SHEET TOTAL
P.20 154

DAR-185-0000

MODEL: CLP_S185_V3 - Plan 6 [Sheet] PAPER SIZE: 34x22 (in.) DATE: 12/19/2023 TIME: 1:38:59 PM USER: jdsek
pw:\ohiodot-pw-bentley.com\ohiodot-pw-04\Documents\04 Admin Configuration\CADD Standards Dev\Worksheets\000000_ID_Misc\400-Engineering\Drainage_Roll\Plot\Sheets\SP1312-4(b).dgn