

REV.	ALTERATION	DATE	BY
A	QTY WAS 23; SITE ID ADDED	1-10-18	RF

**SPECIFICATIONS:**

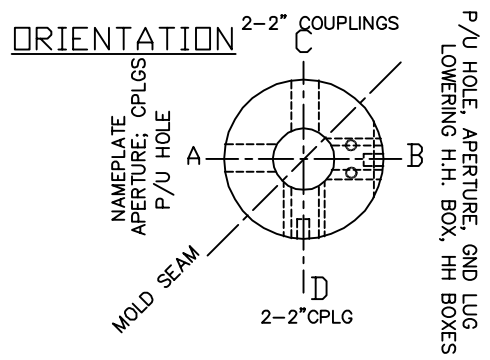
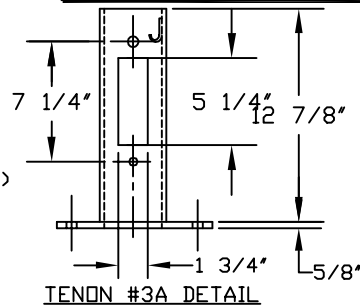
CAT. NO.: E-820-KPR-G-CAM  
-SPECIAL TENON

POLE TOP: 10 1/2"φ  
POLE BUTT: 25.26"φ  
POLE TAPER: 0.18"  
POLE LENGTH: 82' 0"  
POLE WEIGHT: 14,500 lbs.  
QUANTITY: 15  
POLE REINFORCING: 12 - 1/2" 270KSI  
PRESTRESS STRAND  
DOMESTIC  
4-#5 REBAR x 34'

CONCRETE COMP STR: 8,000 PSI MIN  
@ 28 DAY

COATINGS: WEATHERPROOF  
SILANE COATING  
BOTTOM 30'

DEFLECTION AT 30 MPH: LESS THAN 1.0"



Project Name		
ODOT 171037		
<input checked="" type="checkbox"/>	<input type="checkbox"/>	<input type="checkbox"/>
APPROVED	REVISE	REJECTED
BY BSupplier		DATE 2/19/2018
SUBMITTAL#		SPEC

This review is only for general conformance of the project and general compliance. Corrections or comments made on these drawings during this review do not relieve Contractor/Subcontractor from compliance with the requirements of the plans and specifications. Contractor is responsible for all dimensions and fabrication to be confirmed and correlated at the job site.

**CUSTOMER APPROVAL & DATE:**  
CUSTOMER AFFIXES ITS AUTHORIZED SIGNATURE ABOVE, ACKNOWLEDGING THAT THIS DRAWING IS IN CONFORMANCE WITH THE SPECIFICATIONS OF THE CUSTOMER.

**STRESSCRETE GROUP**  
King Luminaire • StressCrete • Est. 1953

**Manufacturing Locations:**

Burlington, Ontario 1-800-268-7809

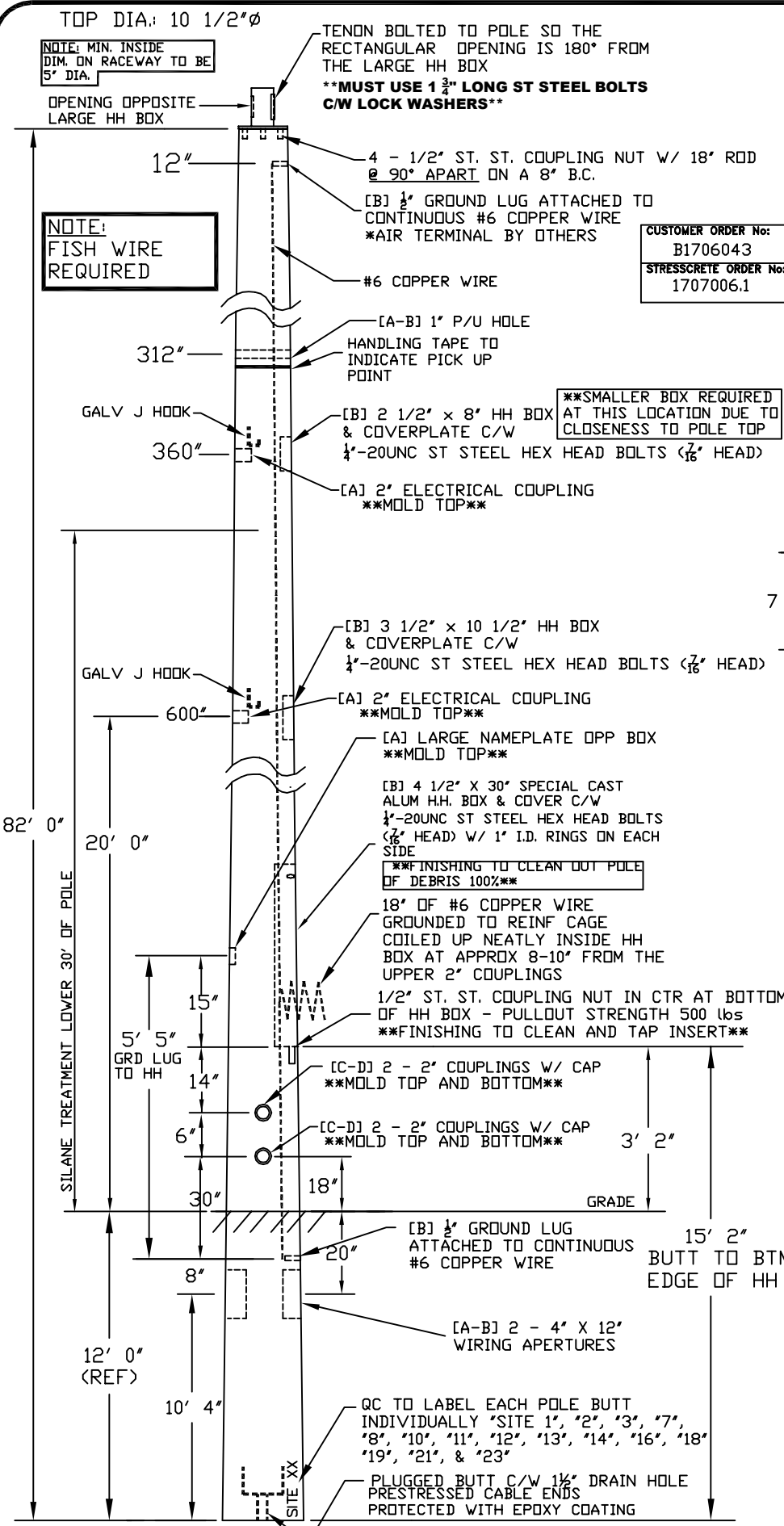
Northport, Alabama 1-800-435-6563

Atchison, Kansas 1-800-837-1024

Jefferson, Ohio 1-800-268-7809

**PROJECT/CUSTOMER:** OHIO DOT - OH STATE WIDE ITS 171037  
SITES 1,2,3,7,8,10,11,12,13,14,16,18,19,21 & 23  
70'AG CAMERA LOWERING POLE - 12' EMBEDMENT

DRAWN BY: RF	AT: SC3	CHECKED BY:	DATE: 7-10-17	REVISION: A
DRAWING TYPE: APPROVAL / MFG DWG			DESIGN NUMBER: 1707006.1	



**NOTE:** MIN. INSIDE DIM. ON RACEWAY TO BE 5" DIA.

**NOTE:** FISH WIRE REQUIRED

**NOTE:** \*\*SMALLER BOX REQUIRED AT THIS LOCATION DUE TO CLOSENESS TO POLE TOP

**NOTE:** \*\*FINISHING TO CLEAN OUT POLE OF DEBRIS 100%\*\*

**NOTE:** \*\*FINISHING TO CLEAN AND TAP INSERT\*\*

**NOTE:** STRESSCRETE MAKES NO CLAIMS THAT THE REFERENCE EMBEDMENT DEPTH SHOWN IS SUITABLE FOR SUPPORTING THIS STRUCTURE. IT IS RECOMMENDED THAT A COMPETENT PROFESSIONAL EVALUATE THE SOILS PRESENT ON SITE, CONFIRMING REQUIRED EMBEDMENT DEPTH, HOLE DIAMETER AND BACKFILL MATERIAL TO BE USED.

REV.	ALTERATION	DATE	BY

**SPECIFICATIONS:**

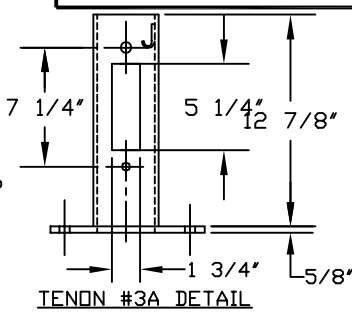
CAT. NO.: E-780-KPR-G-CAM  
-SPECIAL TENON

POLE TOP: 10 1/2"φ  
POLE BUTT: 24.54φ  
POLE TAPER: 0.18"  
POLE LENGTH: 78' 0"  
POLE WEIGHT: 13,408 lbs.  
QUANTITY: 1  
POLE REINFORCING: 12 - 1/2" 270KSI  
PRESTRESS STRAND  
DOMESTIC  
4-#5 REBAR x 30'

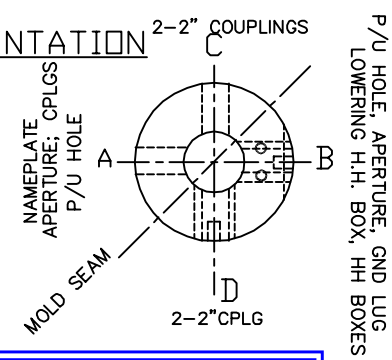
CONCRETE COMP STR: 8,000 PSI MIN  
@ 28 DAY

COATINGS: WEATHERPROOF  
SILANE COATING  
BOTTOM 30'

DEFLECTION AT 30 MPH: LESS THAN 1.0"



**ORIENTATION**



Project Name: ODOT 171037

**US Utility**  
Contractors Co., Inc.  
Equal Opportunity Employer

APPROVED     REVISE     REJECTED

BY BSupple    DATE 2/19/2018

SUBMITTAL#    SPEC

This review is only for general conformance of the project and general compliance. Corrections or comments made on these drawings during this review do not relieve Contractor/Subcontractor from compliance with the requirements of the plans and specifications. Contractor is responsible for all dimensions and fabrication to be confirmed and correlated at the job site.

**CUSTOMER APPROVAL & DATE:**

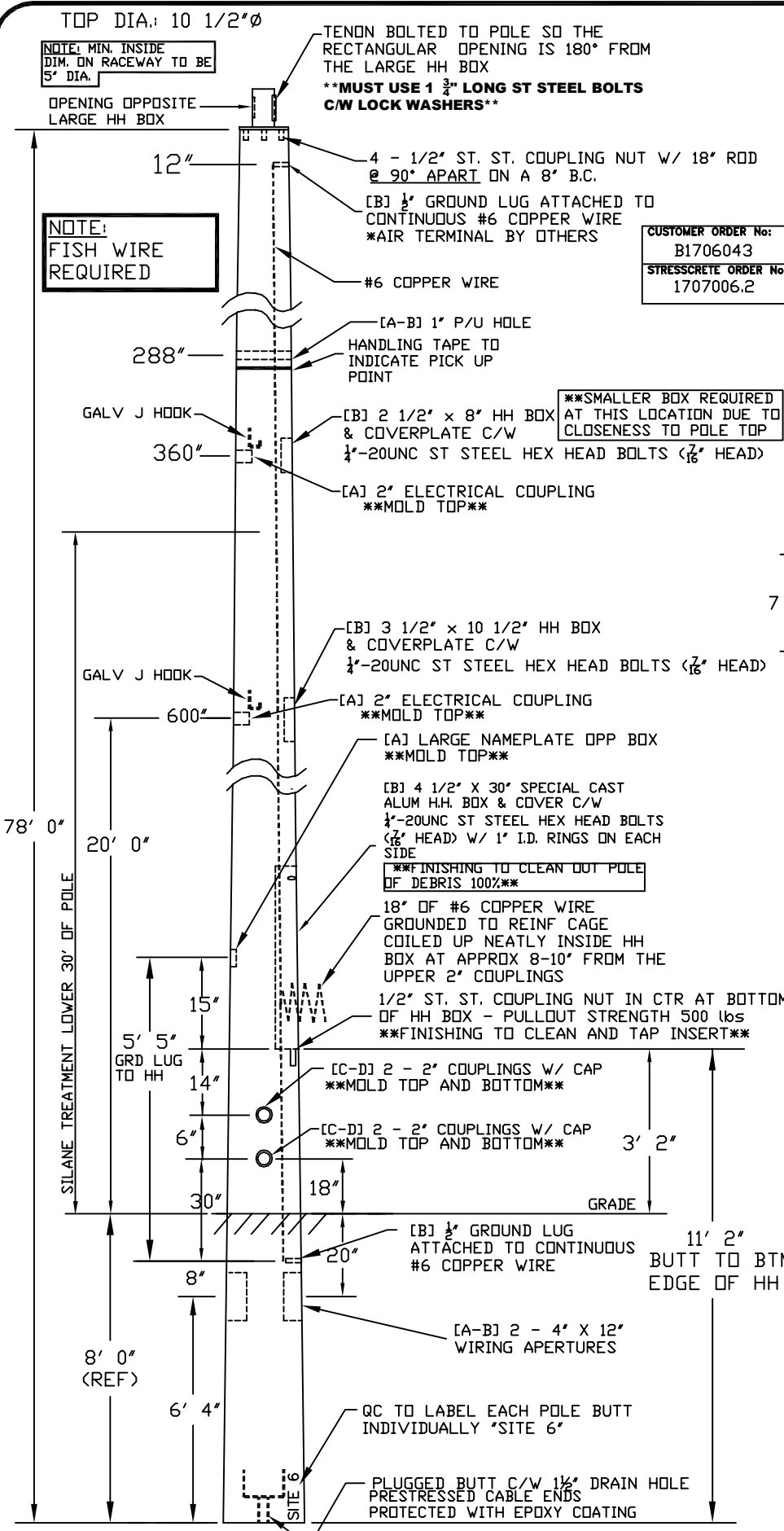
CUSTOMER AFFIXES ITS AUTHORIZED SIGNATURE ABOVE, ACKNOWLEDGING THAT THIS DRAWING IS IN CONFORMANCE WITH THE SPECIFICATIONS OF THE CUSTOMER.

**Manufacturing Locations:**  
Burlington, Ontario 1-800-268-7809  
Northport, Alabama 1-800-435-6563  
Atchison, Kansas 1-800-837-1024  
Jefferson, Ohio 1-800-268-7809

**STRESSCRETE GROUP**  
King Luminaire - StressCrete - Est. 1953

PROJECT/CUSTOMER: OHIO DOT - OH STATE WIDE ITS 171037  
SITE 6  
70'AG CAMERA LOWERING POLE - 8' EMBEDMENT

DRAWN BY: RF	AT: SC3	CHECKED BY:	DATE: 1-10-18	REVISION:
DRAWING TYPE: APPROVAL / MFG DWG			DESIGN NUMBER: 1707006.2	

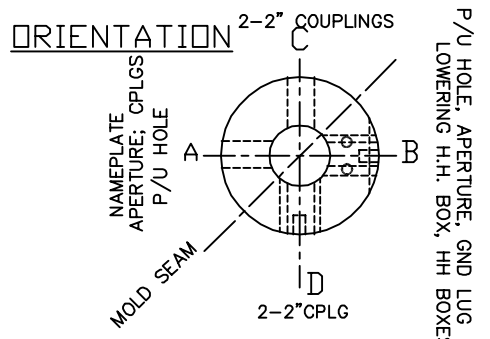
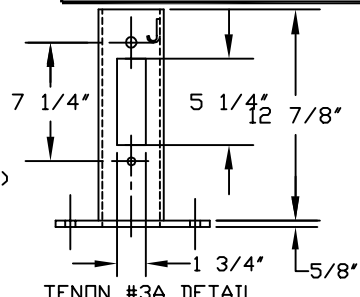
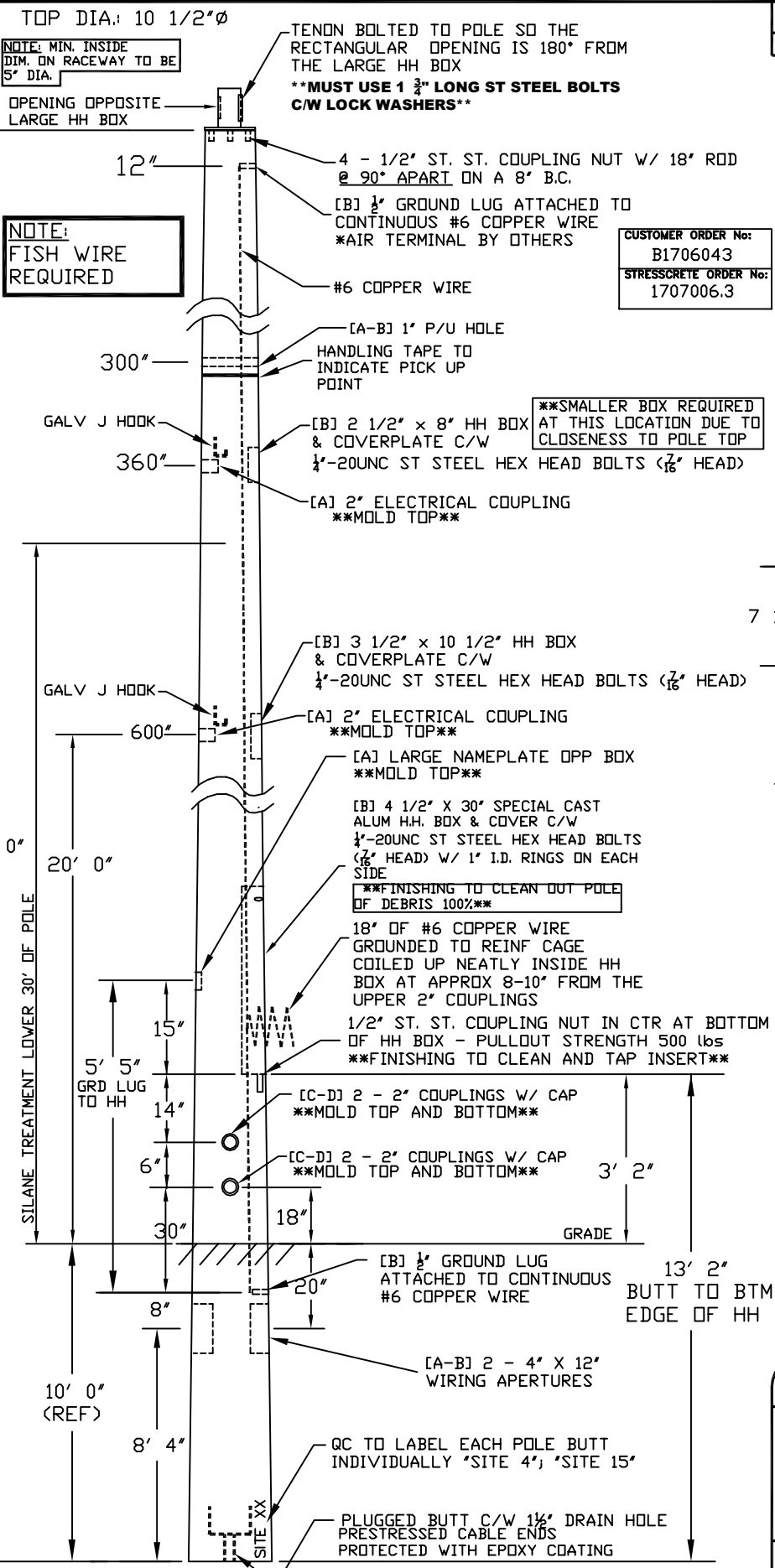


**\*NOTE\*:**  
STRESSCRETE MAKES NO CLAIMS THAT THE REFERENCE EMBEDMENT DEPTH SHOWN IS SUITABLE FOR SUPPORTING THIS STRUCTURE. IT IS RECOMMENDED THAT A COMPETENT PROFESSIONAL EVALUATE THE SOILS PRESENT ON SITE, CONFIRMING REQUIRED EMBEDMENT DEPTH, HOLE DIAMETER AND BACKFILL MATERIAL TO BE USED.

REV.	ALTERATION	DATE	BY

**SPECIFICATIONS:**

CAT. NO.:	E-800-KPR-G-CAM-SPECIAL TENDON
POLE TOP:	10 1/2"φ
POLE BUTT:	24.90"φ
POLE TAPER:	0.18"
POLE LENGTH:	80' 0"
POLE WEIGHT:	13,925 lbs.
QUANTITY:	2
POLE REINFORCING:	12 - 1/2" 270KSI PRESTRESS STRAND DOMESTIC 4-#5 REBAR x 31'
CONCRETE COMP STR:	DOMESTIC 8,000 PSI MIN @ 28 DAY
COATINGS:	WEATHERPROOF SILANE COATING BOTTOM 30'
DEFLECTION AT 30 MPH:	LESS THAN 1.0"



Project Name: ODOT 171037

APPROVED   
 REVISE   
 REJECTED

BY BSupplee    DATE 2/19/2018

SUBMITTAL#    SPEC

This review is only for general conformance of the project and general compliance. Corrections or comments made on these drawings during this review do not relieve Contractor/Subcontractor from compliance with the requirements of the plans and specifications. Contractor is responsible for all dimensions and fabrication to be confirmed and correlated at the job site.

**CUSTOMER APPROVAL & DATE:**

CUSTOMER AFFIXES ITS AUTHORIZED SIGNATURE ABOVE, ACKNOWLEDGING THAT THIS DRAWING IS IN CONFORMANCE WITH THE SPECIFICATIONS OF THE CUSTOMER.

<p>King Luminaire - StressCrete - Est. 1953</p> <p><b>STRESSCRETE GROUP</b></p>	<p><u>Manufacturing Locations:</u></p> <p>Burlington, Ontario 1-800-268-7809</p> <p>Northport, Alabama 1-800-435-6563</p> <p>Atchison, Kansas 1-800-837-1024</p> <p>Jefferson, Ohio 1-800-268-7809</p>
	<p>PROJECT/CUSTOMER: OHIO DOT - OH STATE WIDE ITS 171037 SITES 4 AND 15 70'AG CAMERA LOWERING POLE - 10' EMBEDMENT</p>
<p>DRAWN BY: RF    AT: SC3    CHECKED BY:    DATE: 1-10-18    REVISION:</p>	<p>DRAWING TYPE: APPROVAL / MFG DWG    DESIGN NUMBER: 1707006.3</p>

**\*NOTE:\***  
STRESSCRETE MAKES NO CLAIMS THAT THE REFERENCE EMBEDMENT DEPTH SHOWN IS SUITABLE FOR SUPPORTING THIS STRUCTURE. IT IS RECOMMENDED THAT A COMPETENT PROFESSIONAL EVALUATE THE SOILS PRESENT ON SITE, CONFIRMING REQUIRED EMBEDMENT DEPTH, HOLE DIAMETER AND BACKFILL MATERIAL TO BE USED.

REV.	ALTERATION	DATE	BY

**SPECIFICATIONS:**

CAT. NO.:	E-850-KPR-G-CAM-SPECIAL TENON
POLE TOP:	10 1/2"φ
POLE BUTT:	25.80"φ
POLE TAPER:	0.18"
POLE LENGTH:	85' 0"
POLE WEIGHT:	15,255 lbs.
QUANTITY:	3
POLE REINFORCING:	12 - 1/2" 270KSI PRESTRESS STRAND DOMESTIC 4-#5 REBAR x 37'
CONCRETE COMP STR:	8,000 PSI MIN @ 28 DAY
COATINGS:	WEATHERPROOF SILANE COATING BOTTOM 30'
DEFLECTION AT 30 MPH:	LESS THAN 1.0"

TOP DIA: 10 1/2"φ

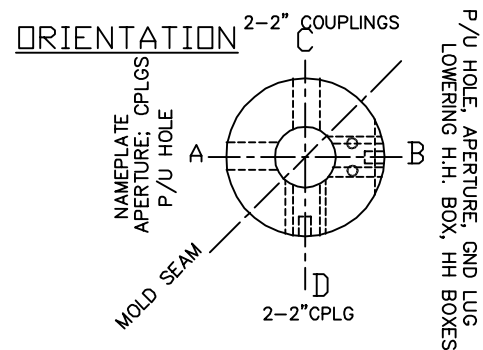
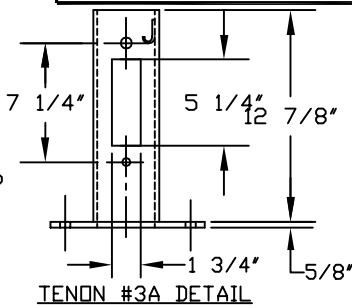
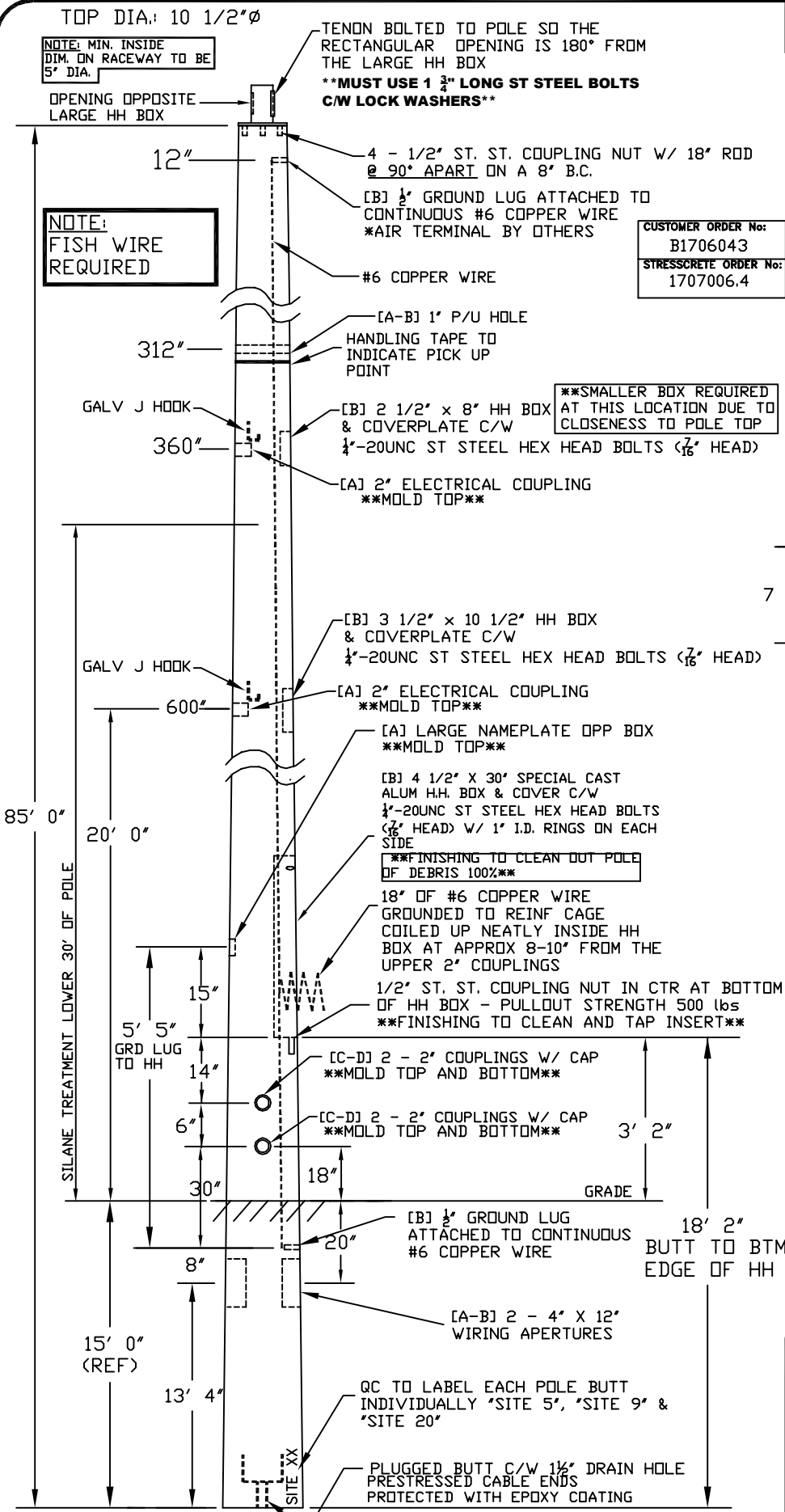
NOTE: MIN. INSIDE DIM. ON RACEWAY TO BE 5" DIA.

OPENING OPPOSITE LARGE HH BOX

TENON BOLTED TO POLE SO THE RECTANGULAR OPENING IS 180° FROM THE LARGE HH BOX  
**\*\*MUST USE 1 3/4" LONG ST STEEL BOLTS C/W LOCK WASHERS\*\***

NOTE: FISH WIRE REQUIRED

CUSTOMER ORDER No: B1706043  
 STRESSCRETE ORDER No: 1707006.4



Project Name: ODOT 171037

APPROVED  REVISE  REJECTED

BY BSupplee DATE 2/19/2018

SUBMITTAL# SPEC

This review is only for general conformance of the project and general compliance. Corrections or comments made on these drawings during this review do not relieve Contractor/Subcontractor from compliance with the requirements of the plans and specifications. Contractor is responsible for all dimensions and fabrication to be confirmed and correlated at the job site.

**CUSTOMER APPROVAL & DATE:**

CUSTOMER AFFIXES ITS AUTHORIZED SIGNATURE ABOVE, ACKNOWLEDGING THAT THIS DRAWING IS IN CONFORMANCE WITH THE SPECIFICATIONS OF THE CUSTOMER.

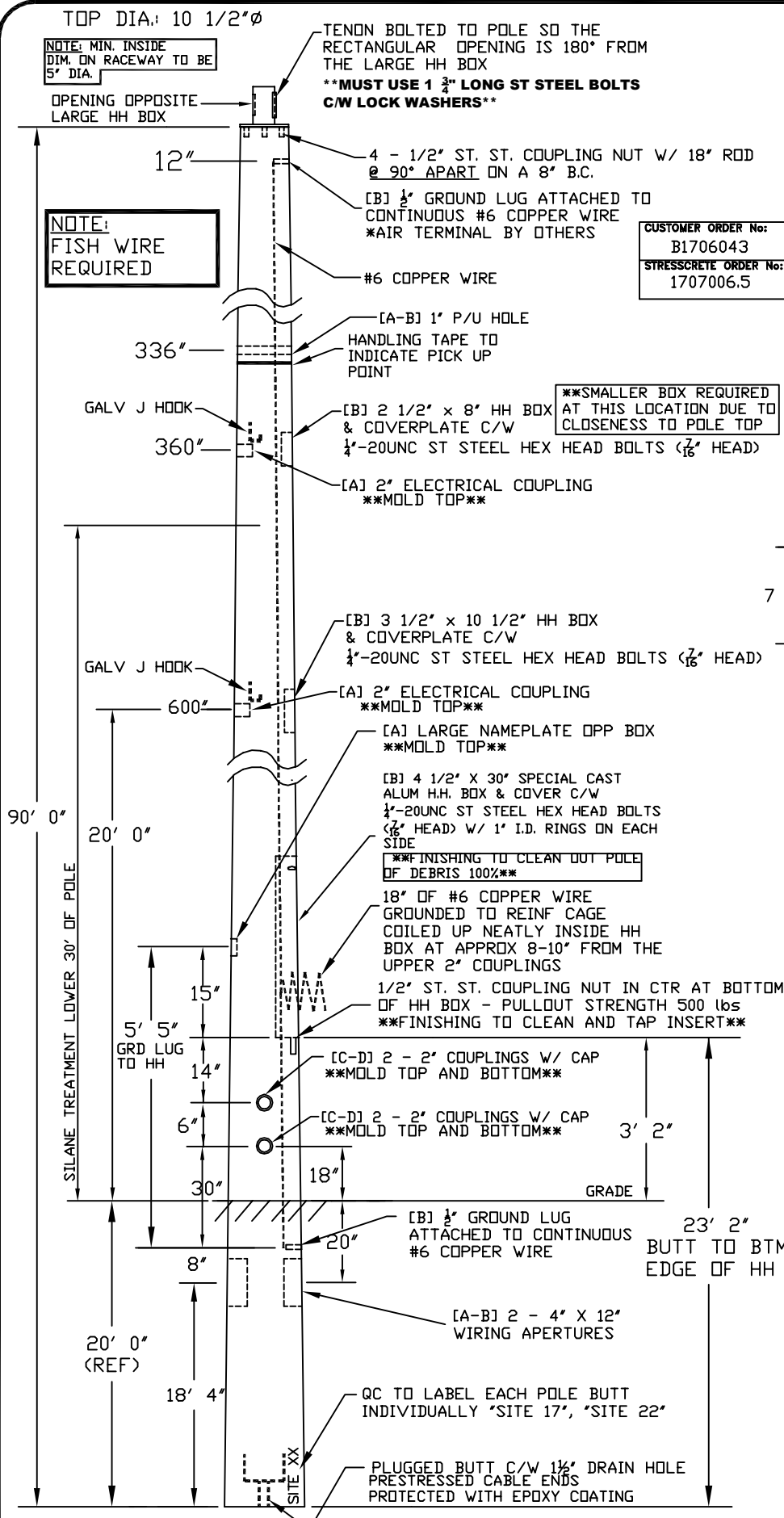
  King Luminaire • StressCrete • Est. 1953 <b>STRESSCRETE GROUP</b>	<b>Manufacturing Locations:</b> Burlington, Ontario 1-800-268-7809 Northport, Alabama 1-800-435-6563 Atchison, Kansas 1-800-837-1024 Jefferson, Ohio 1-800-268-7809
	PROJECT/CUSTOMER: OHIO DOT - OH STATE WIDE ITS 171037 SITES 5, 9 AND 20 70'AG CAMERA LOWERING POLE - 15' EMBEDMENT
DRAWN BY: RF AT: SC3 CHECKED BY: DATE: 1-10-18 REVISIONS:	DRAWING TYPE: APPROVAL / MFG DWG DESIGN NUMBER: 1707006.4

NOTE: STRESSCRETE MAKES NO CLAIMS THAT THE REFERENCE EMBEDMENT DEPTH SHOWN IS SUITABLE FOR SUPPORTING THIS STRUCTURE. IT IS RECOMMENDED THAT A COMPETENT PROFESSIONAL EVALUATE THE SOILS PRESENT ON SITE, CONFIRMING REQUIRED EMBEDMENT DEPTH, HOLE DIAMETER AND BACKFILL MATERIAL TO BE USED.

REV.	ALTERATION	DATE	BY

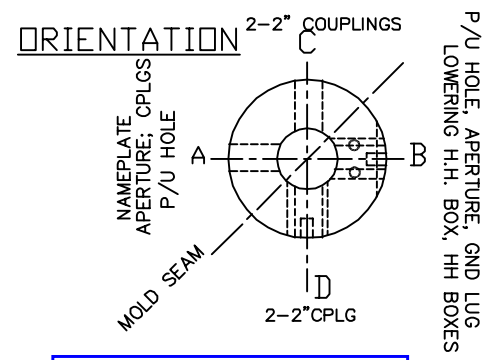
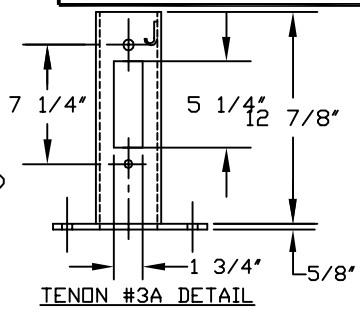
**SPECIFICATIONS:**

CAT. NO.:	E-900-KPR-G-CAM -SPECIAL TENDON
POLE TOP:	10 1/2"φ
POLE BUTT:	26.70"φ
POLE TAPER:	0.18"
POLE LENGTH:	90' 0"
POLE WEIGHT:	16,638 lbs.
QUANTITY:	2
POLE REINFORCING:	12 - 1/2" 270KSI PRESTRESS STRAND DOMESTIC 4-#5 REBAR x 43'
CONCRETE COMP STR:	DOMESTIC 8,000 PSI MIN @ 28 DAY
COATINGS:	WEATHERPROOF SILANE COATING BOTTOM 30'
DEFLECTION AT 30 MPH:	LESS THAN 1.0"



CUSTOMER ORDER No:  
B1706043  
STRESSCRETE ORDER No:  
1707006.5

\*\*\*SMALLER BOX REQUIRED AT THIS LOCATION DUE TO CLOSENESS TO POLE TOP



Project Name: **ODOT 171037**

**UTILITY**  
Specialty P.C. & S.C.  
Equal Opportunity Employer

APPROVED     REVISE     REJECTED

BY: BSupplee    DATE: 2/19/2018

SUBMITTAL#    SPEC

This review is only for general conformance of the project and general compliance. Corrections or comments made on these drawings during this review do not relieve Contractor/Subcontractor from compliance with the requirements of the plans and specifications. Contractor is responsible for all dimensions and fabrication to be confirmed and correlated at the job site.

**CUSTOMER APPROVAL & DATE:**

CUSTOMER AFFIXES ITS AUTHORIZED SIGNATURE ABOVE, ACKNOWLEDGING THAT THIS DRAWING IS IN CONFORMANCE WITH THE SPECIFICATIONS OF THE CUSTOMER.

  <b>STRESSCRETE GROUP</b> King Luminaire - Stresscrete - Est. 1953	<b>Manufacturing Locations:</b> Burlington, Ontario 1-800-268-7809 Northport, Alabama 1-800-435-6563 Atchison, Kansas 1-800-837-1024 Jefferson, Ohio 1-800-268-7809
	PROJECT/CUSTOMER: OHIO DOT - OH STATE WIDE ITS 171037 SITES 17 and 22 70'AG CAMERA LOWERING POLE - 20' EMBEDMENT
DRAWN BY: RF    AT: SC3    CHECKED BY:    DATE: 1-10-18    REVISION:	DRAWING TYPE: APPROVAL / MFG DWG    DESIGN NUMBER: 1707006.5

**\*NOTE:\***  
STRESSCRETE MAKES NO CLAIMS THAT THE REFERENCE EMBEDMENT DEPTH SHOWN IS SUITABLE FOR SUPPORTING THIS STRUCTURE. IT IS RECOMMENDED THAT A COMPETENT PROFESSIONAL EVALUATE THE SOILS PRESENT ON SITE, CONFIRMING REQUIRED EMBEDMENT DEPTH, HOLE DIAMETER AND BACKFILL MATERIAL TO BE USED.