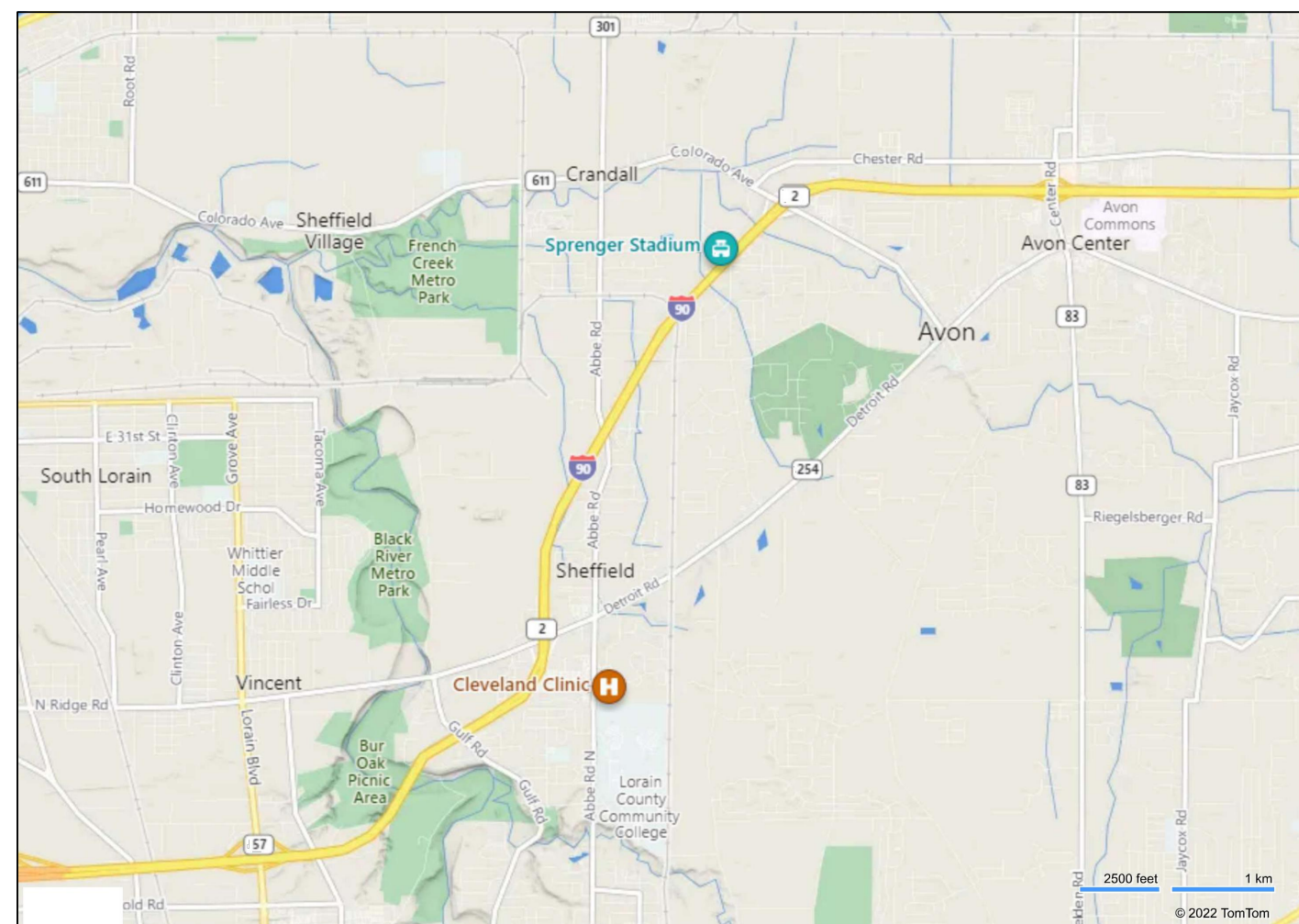


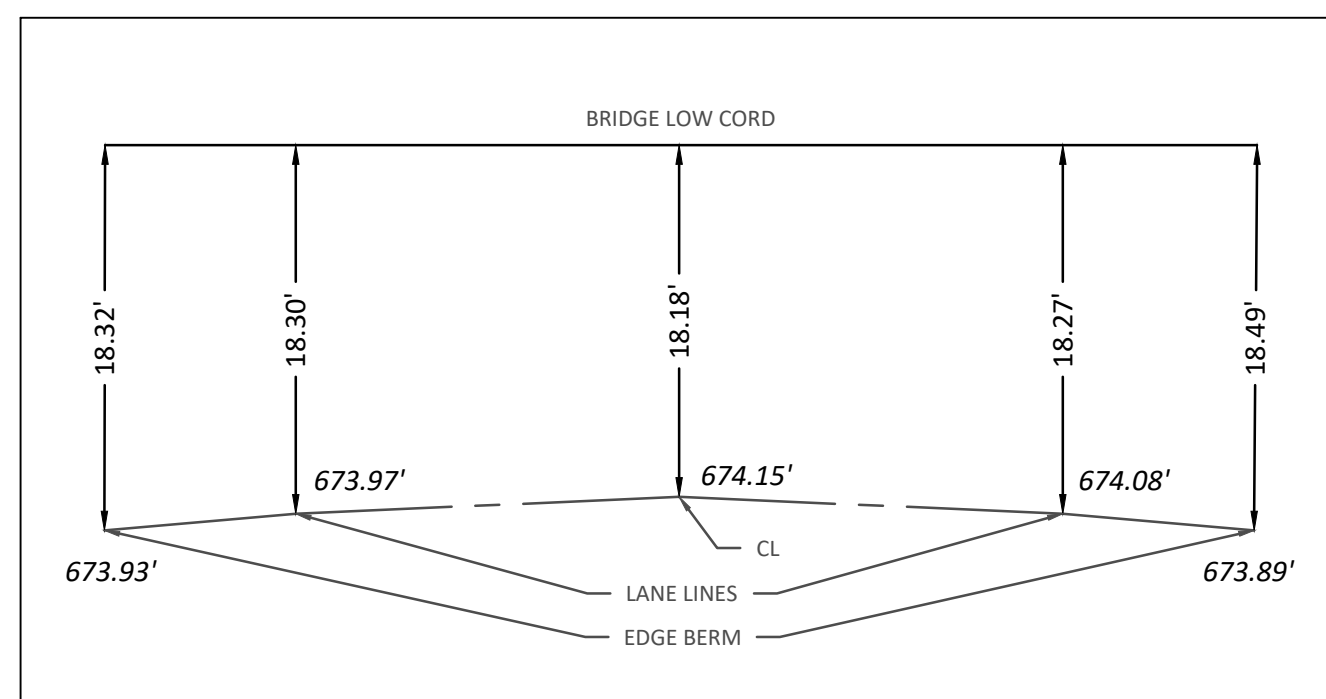
# LOR-90-10.76 BRIDGE CLEARANCE SURVEY

STATE OF OHIO, COUNTY OF LORAIN, CITY OF ELYRIA & SHEFFIELD VILLAGE, TOWNSHIP 6 NORTH, RANGE 16 WEST

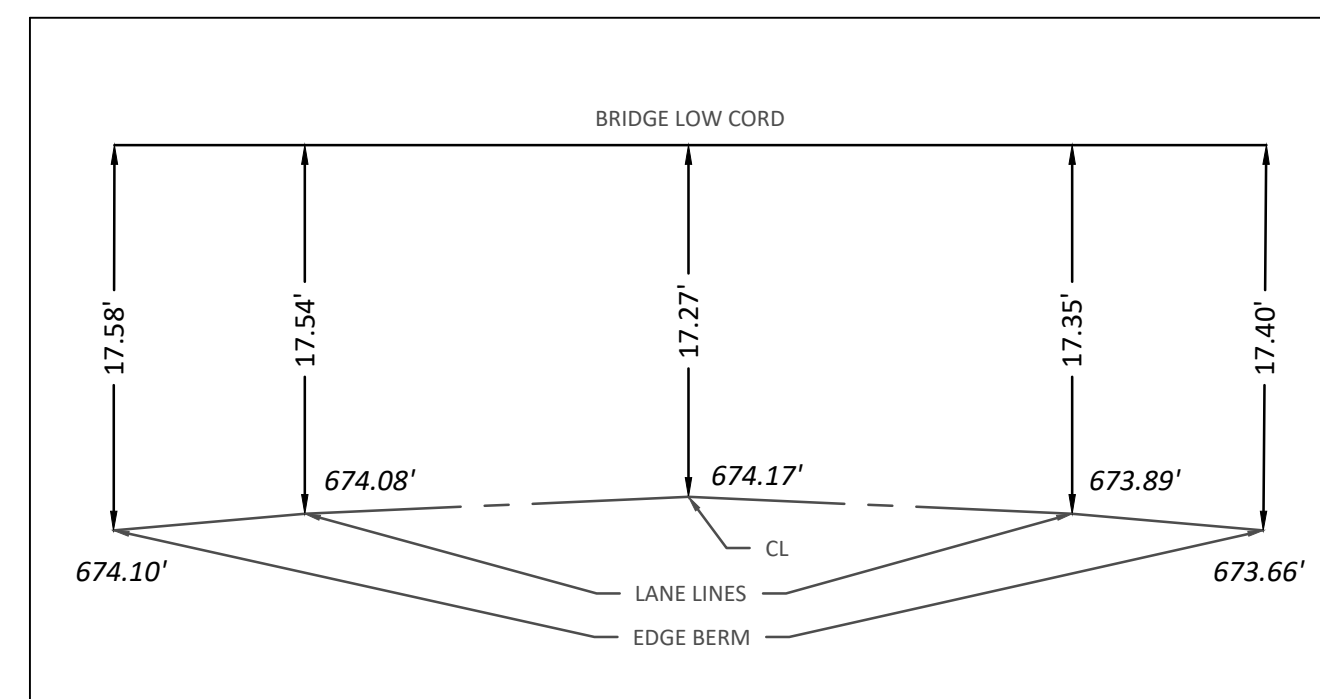


VICINITY MAP  
1" = 5,500'

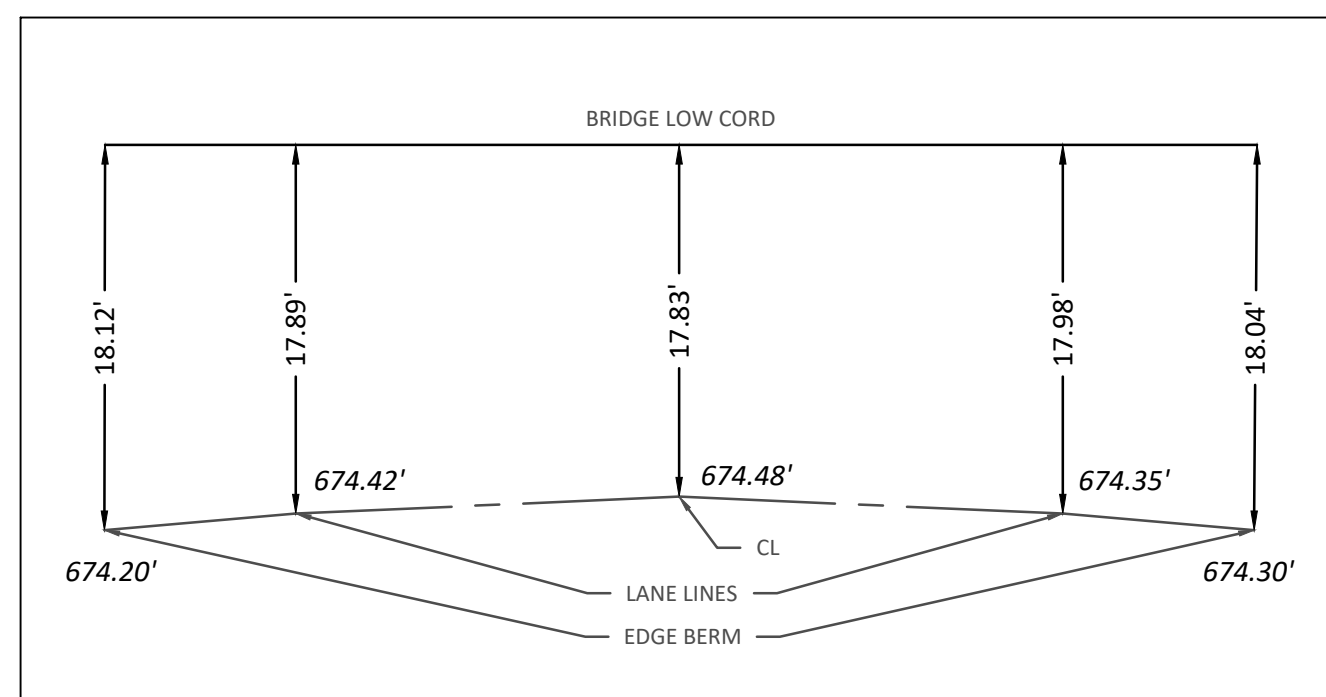
## BRIDGE 1 - GULF ROAD:



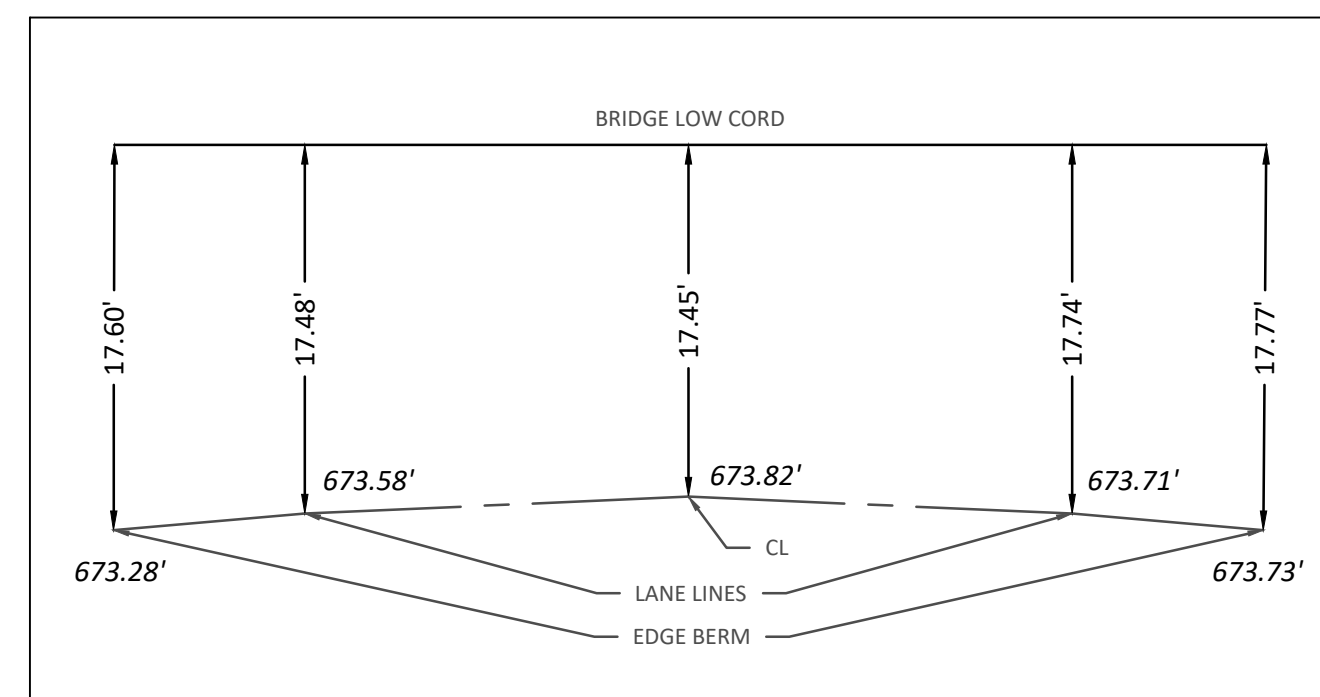
EAST BOUND-IN



WEST BOUND-IN

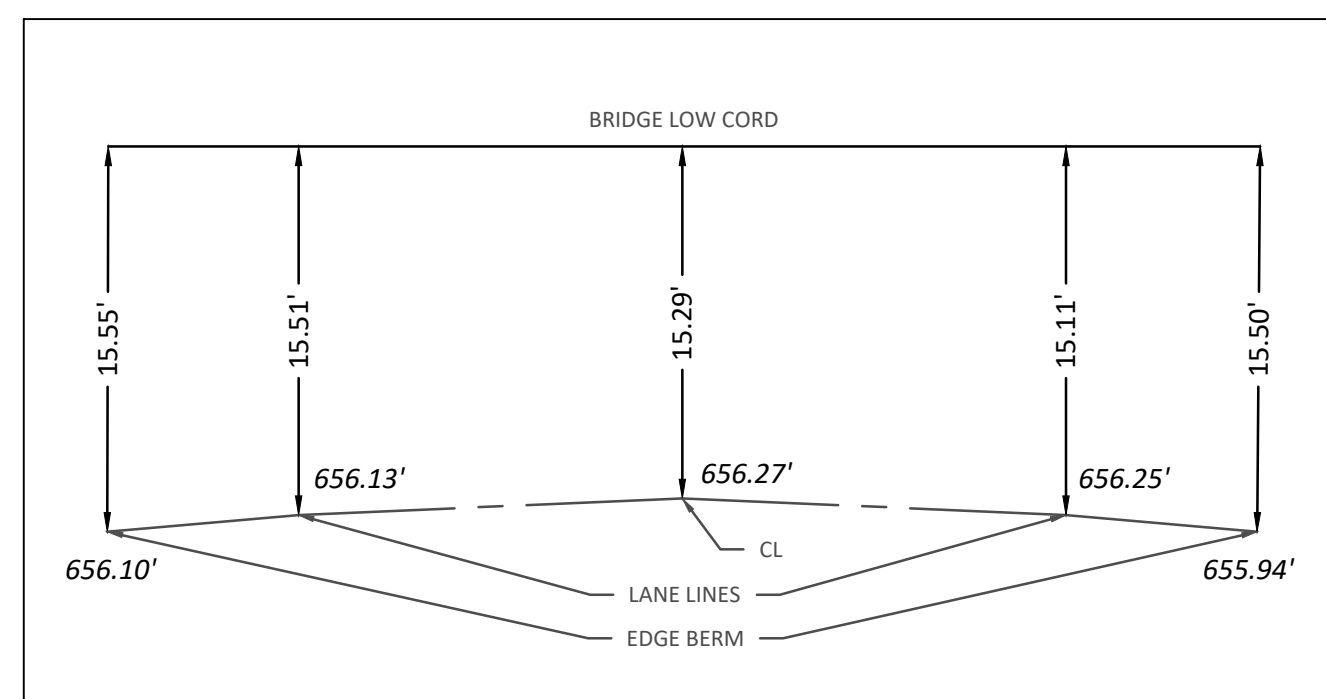


EAST BOUND-OUT

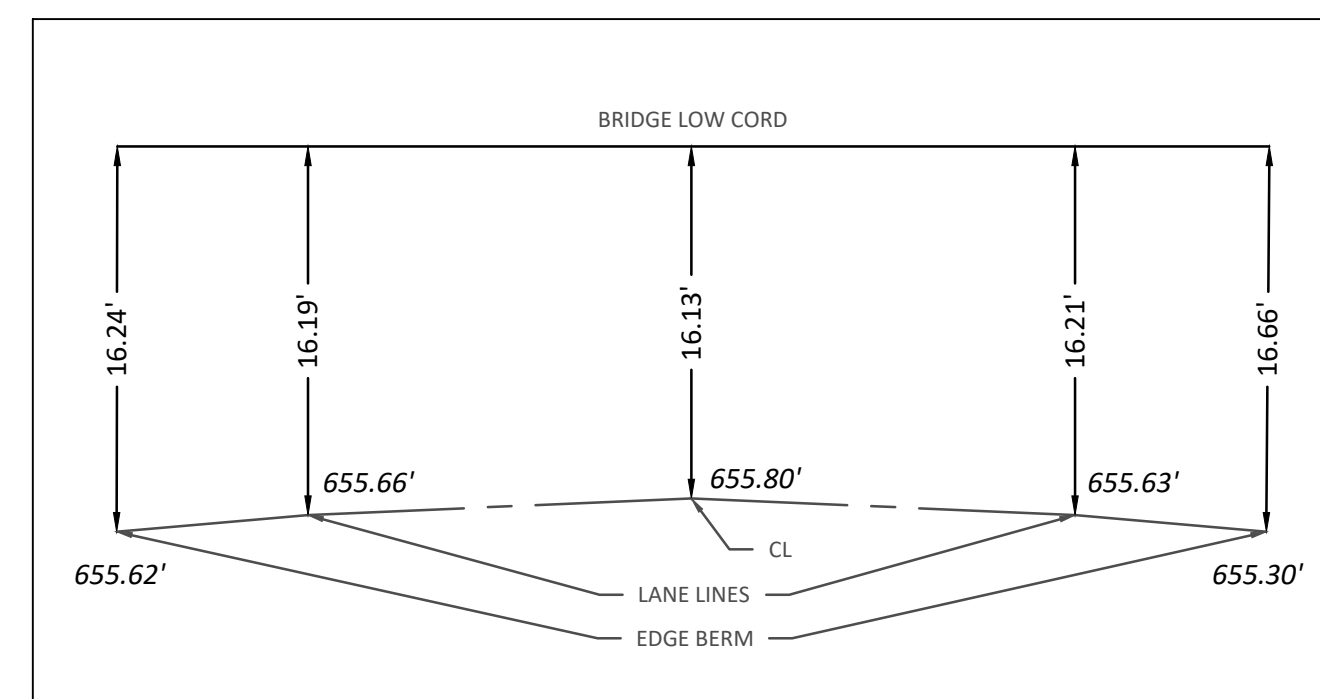


WEST BOUND-OUT

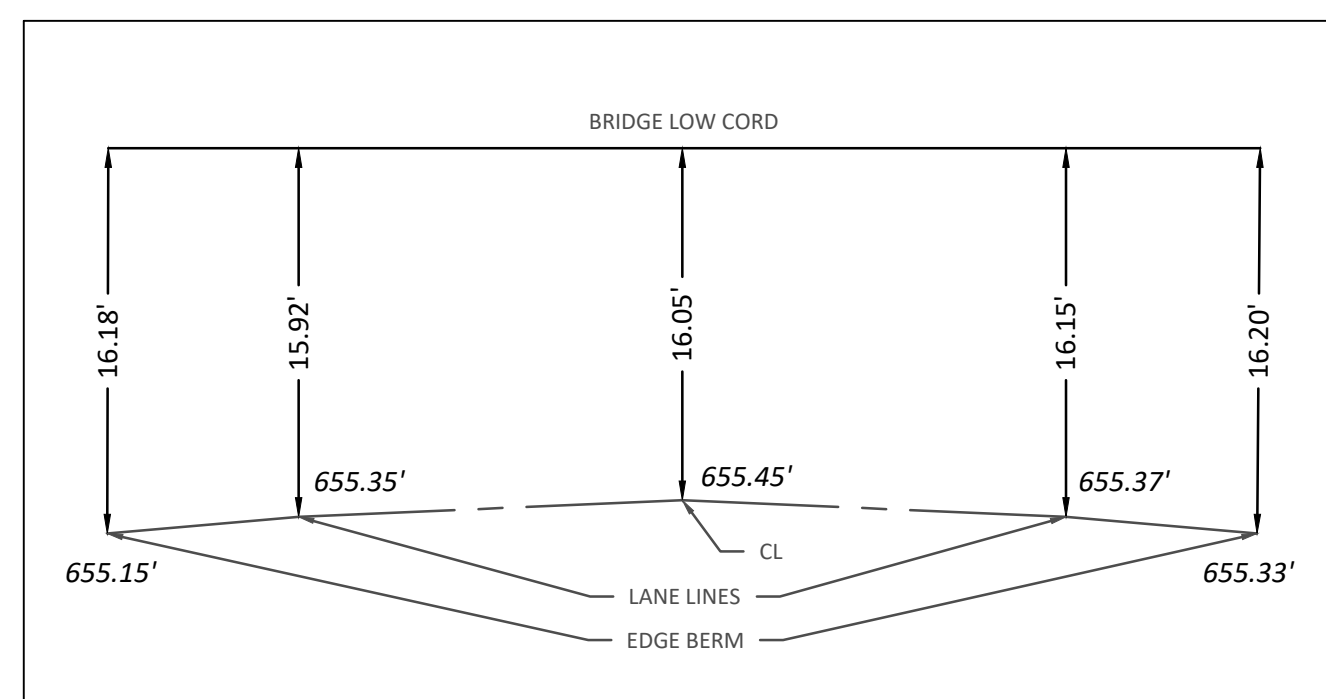
## BRIDGE 2 - SR254:



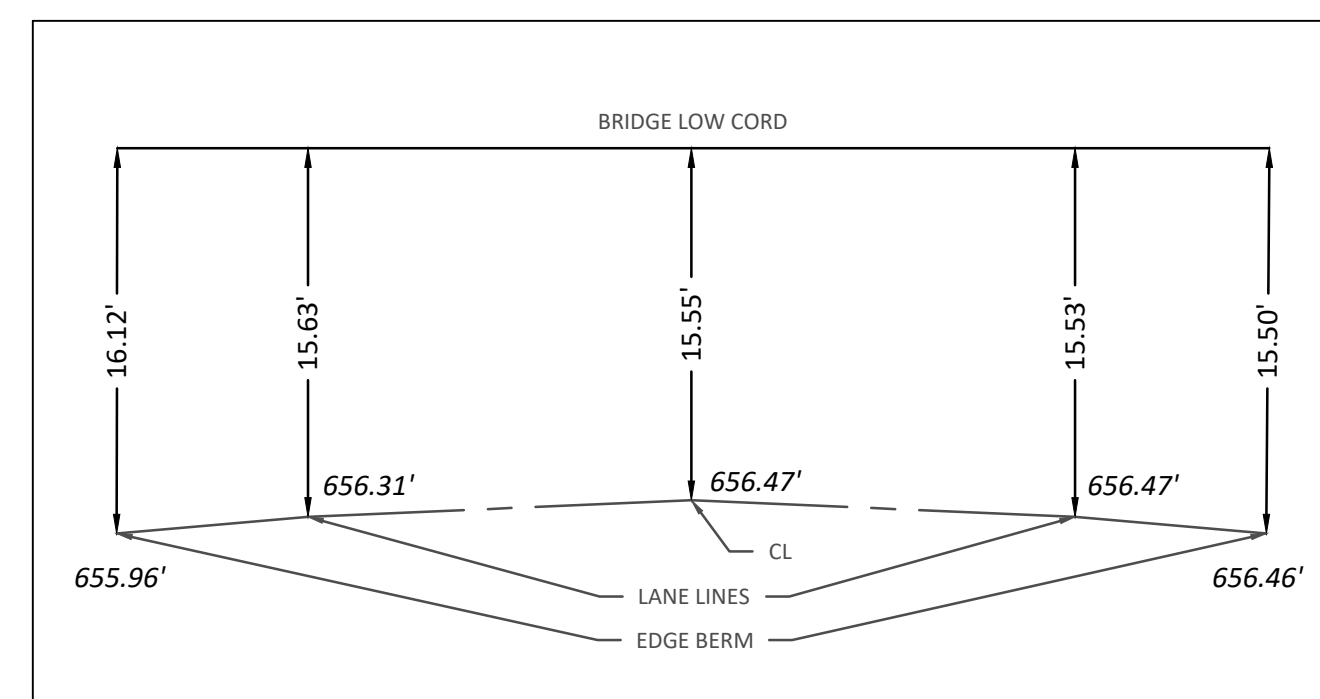
EAST BOUND-IN



WEST BOUND-IN



EAST BOUND-OUT



WEST BOUND-OUT

### SURVEYORS NOTES:

- CROSS SECTIONS SHOWN HEREON ARE FOR GRAPHICAL PURPOSES TO DISPLAY THE RESULTS OF A BRIDGE CLEARANCE SURVEY. EXISTING ROADWAY SLOPES MAY VARY FROM THOSE DEPICTED. CROSS SECTION DETAILS ARE NOT TO SCALE.
- MEASUREMENTS ARE DERIVED FROM FIELD THREE-DIMENSIONAL TERRESTRIAL SCANNING USING A TRIMBLE SX10, AND OFFICE INTERPRETATION OF SCAN POINT CLOUD DATA.
- AT THE TIME OF THE SURVEY, TEMPORARY LANE LINES WERE OBSERVED FOR THE FRENCH CREEK ROAD BRIDGE SURVEY. AS ONGOING CONSTRUCTION IS COMPLETED, AND NEW LANE LINES ARE PAINTED, THESE MEASUREMENTS BECOME IRRELEVANT.
- FIELD WORK WAS PERFORMED AUGUST 10TH 2022.

### BENCHMARKS:

BENCHMARKS FOR ALL FOUR BRIDGE SURVEYS ARE LOCATED NORTH AND ADJACENT TO THE I-90 WEST BOUND TRAVEL LANE, EAST OR NORTH (DEPENDING ON THE ORIENTATION OF I-90) OF THEIR RESPECTIVE BRIDGE CROSSING, BEING CHISELED SQUARES IN THE TOP OF A FOUR FOOT TALL CONCRETE WALL.

BENCHMARK ELEVATIONS WERE DERIVED USING DIFFERENTIAL LEVELING TECHNIQUES AND THE RECORD ELEVATION OF MV5 OF THE LOR-90-10.76 CENTERLINE PLAT.

BENCHMARK #1 - GULF ROAD  
ELEV.= 676.35'

BENCHMARK #2 - SR 254  
ELEV.= 657.98'

BENCHMARK #3 - ABBE ROAD NORTH  
ELEV.= 640.80'

BENCHMARK #4 - FRENCH CREEK ROAD  
ELEV.= 636.58'

### SURVEYORS CERTIFICATION:

I HEREBY CERTIFY THAT THE MEASUREMENTS SHOWN HEREON ARE ACTUAL FIELD MEASUREMENTS PERFORMED BY OR UNDER MY DIRECT SUPERVISION AND TO THE BEST OF MY KNOWLEDGE REPRESENT THE TRUE & EXISTING RELATIONSHIP BETWEEN ASPHALT AND EXISTING BRIDGE OVERPASS CLEARANCES.

R.J. LUMBREZER, P.S.  
OHIO PROFESSIONAL SURVEYOR NO. 8029

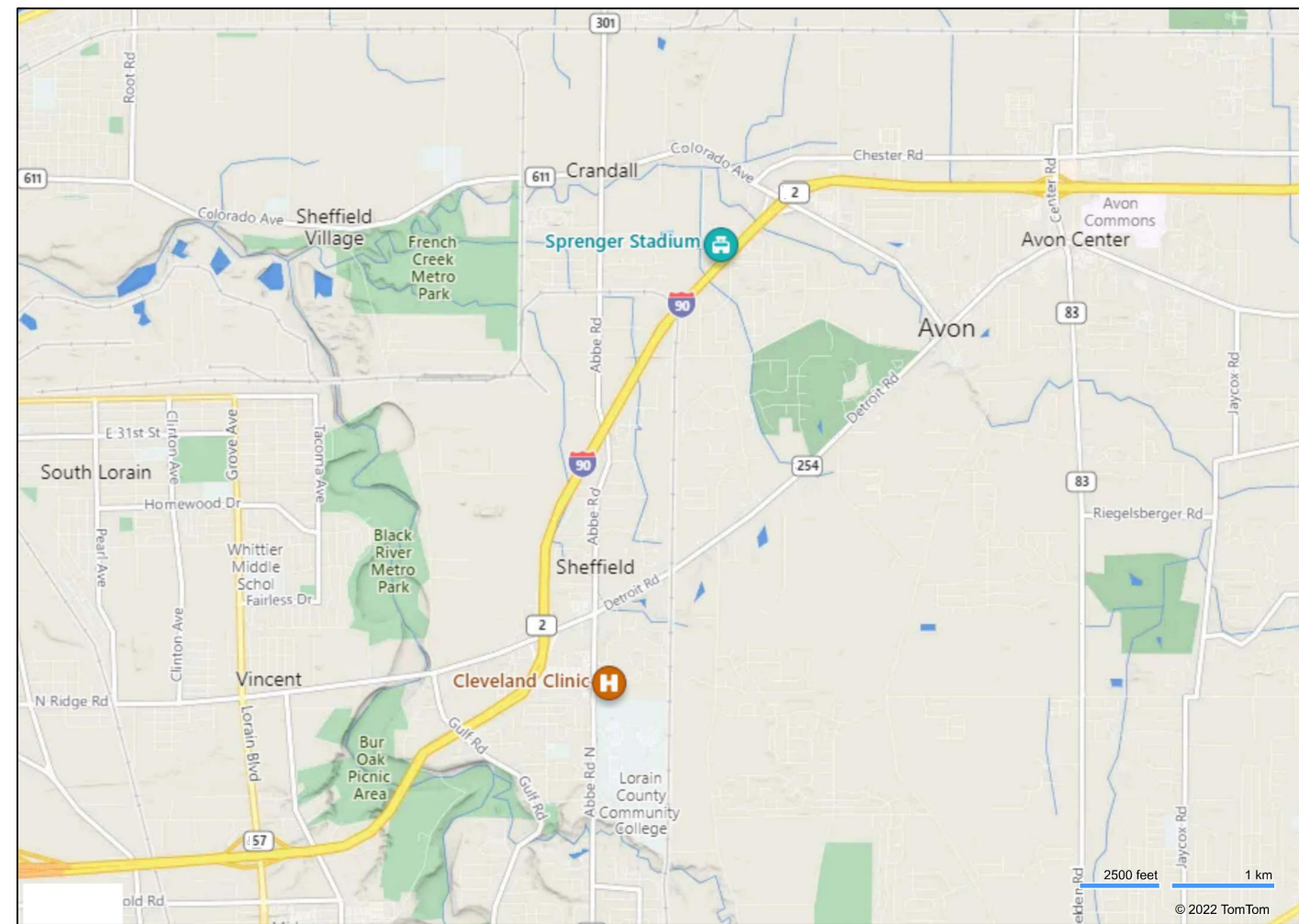
NO	REVISION	DATE
9		
8		
7		
6		
5		
4		
3		
2		
1		

DGL CONSULTING ENGINEERS, LLC  
3455 BRIARFIELD BLVD, SUITE E  
MAUMEE, OHIO 43537  
PHONE: 614.535.1015 www.dgl-tld.com

LOR-90-10.76 BRIDGE CLEARANCE SURVEY  
STATE OF OHIO, COUNTY OF LORAIN, CITY OF ELYRIA & SHEFFIELD VILLAGE, TOWNSHIP 6 NORTH, RANGE 16 WEST

107714-Bridge-Clearances.dwg  
JOB NO.: 22016  
DRAWN BY: JWC  
ISSUED: 08/28/2022

PLOTTED: Aug 29, 2022 - 10:43am  
DRAWING: M:\2016 (0001) - LOR-090-10.76 Surveying Services (PID 107714, Agreement No. 36745)\107714\300-Survey\Basemaps\107714-Bridge-Clearances.dwg: 22x34 Clearance

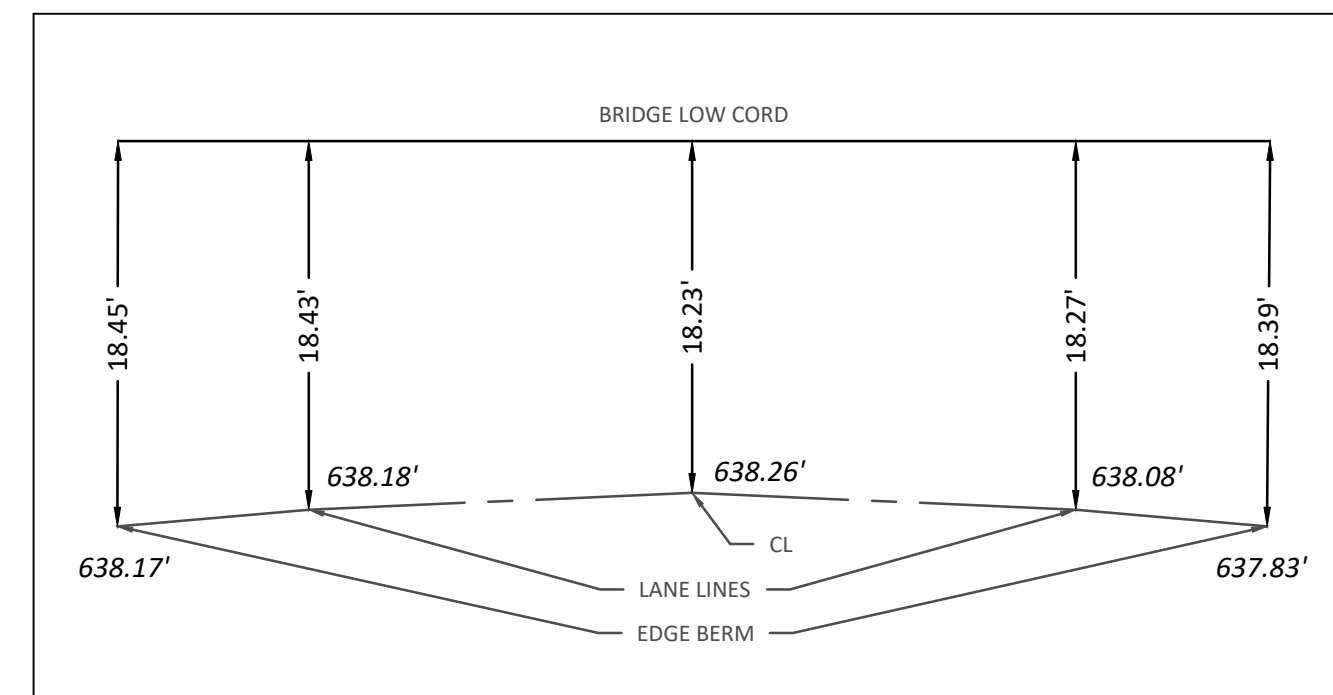


VICINITY MAP  
1" = 5,500'

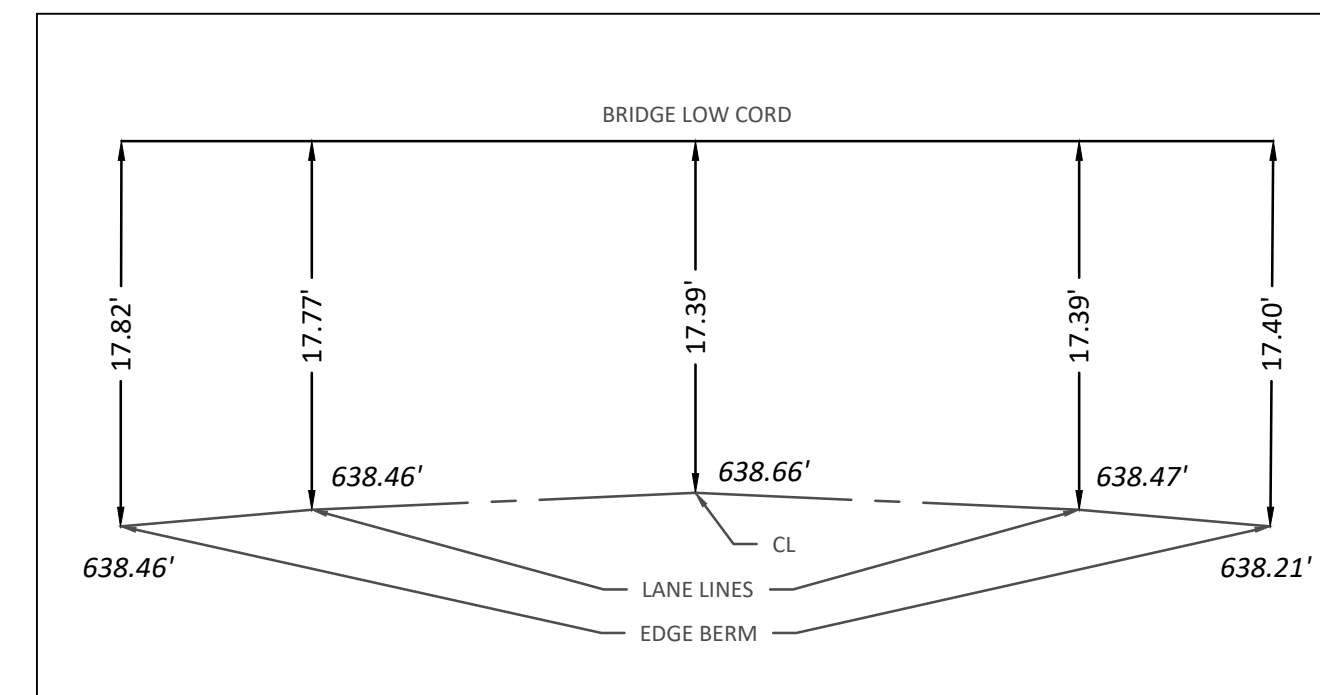
# LOR-90-10.76 BRIDGE CLEARANCE SURVEY

STATE OF OHIO, COUNTY OF LORAIN, CITY OF ELYRIA & SHEFFIELD VILLAGE, TOWNSHIP 6 NORTH, RANGE 16 WEST

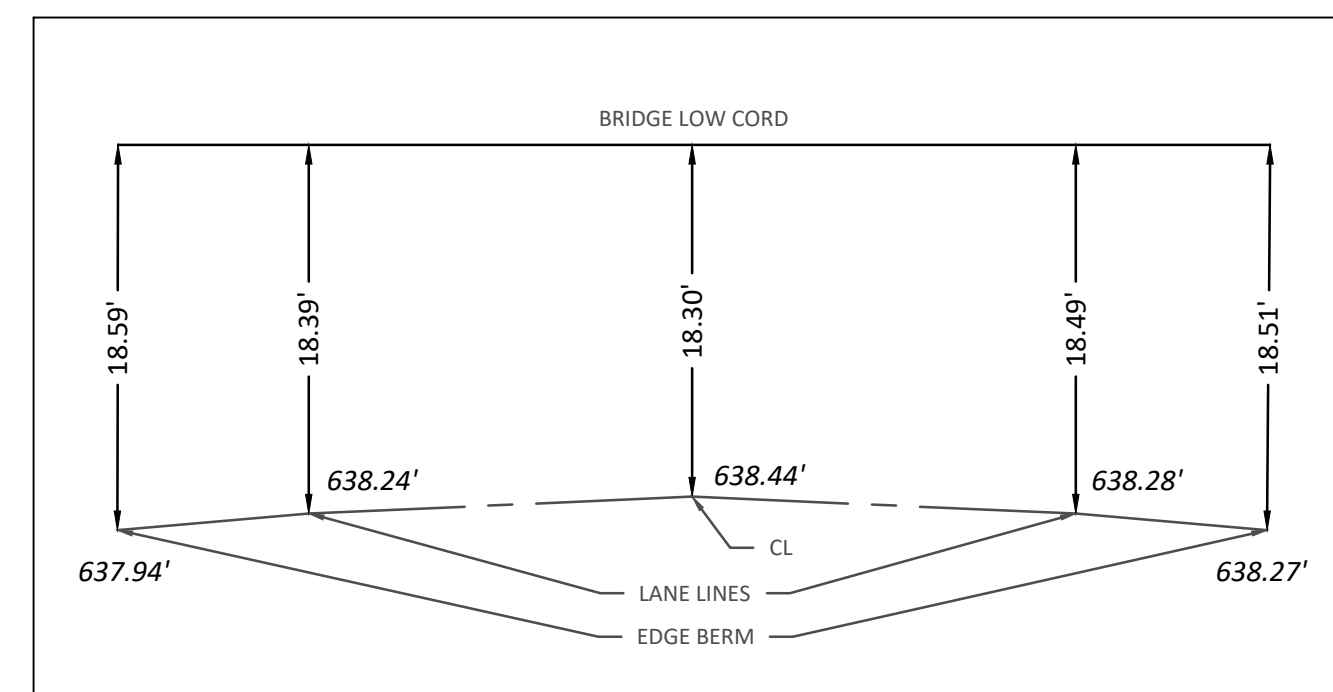
## BRIDGE 3 - ABBE RD N:



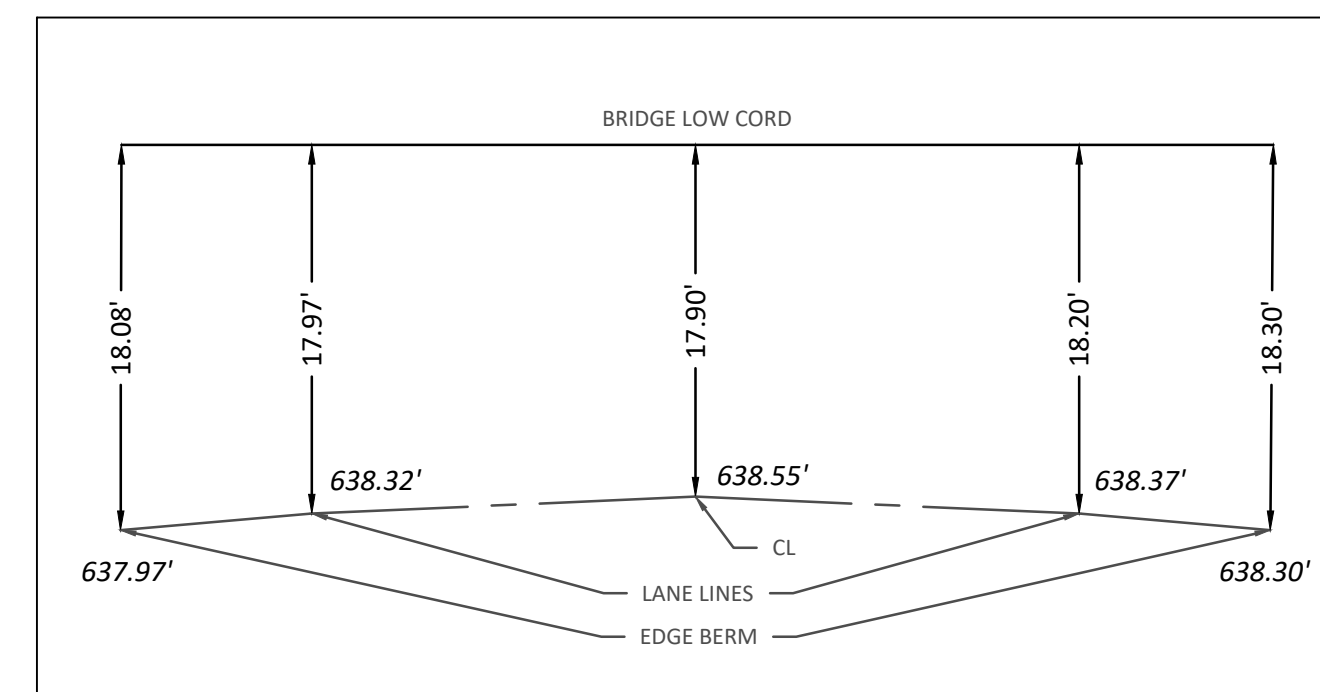
EAST BOUND-IN



WEST BOUND-IN

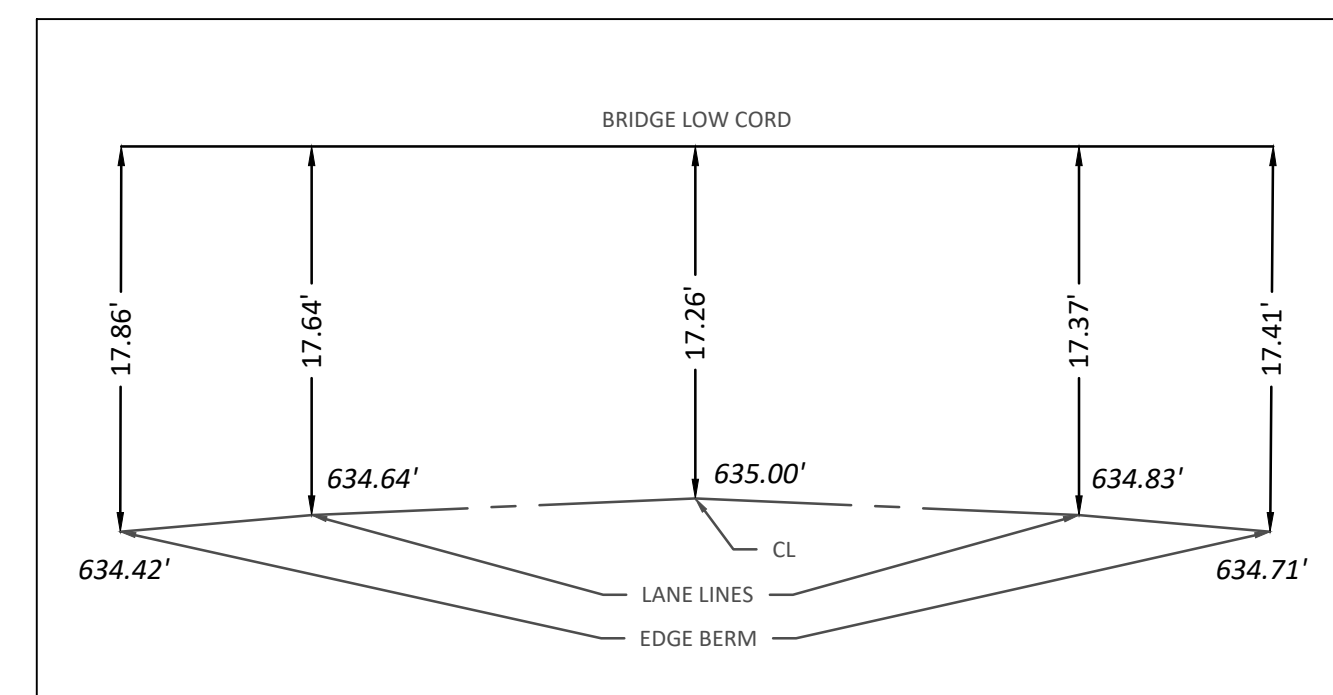


EAST BOUND-OUT

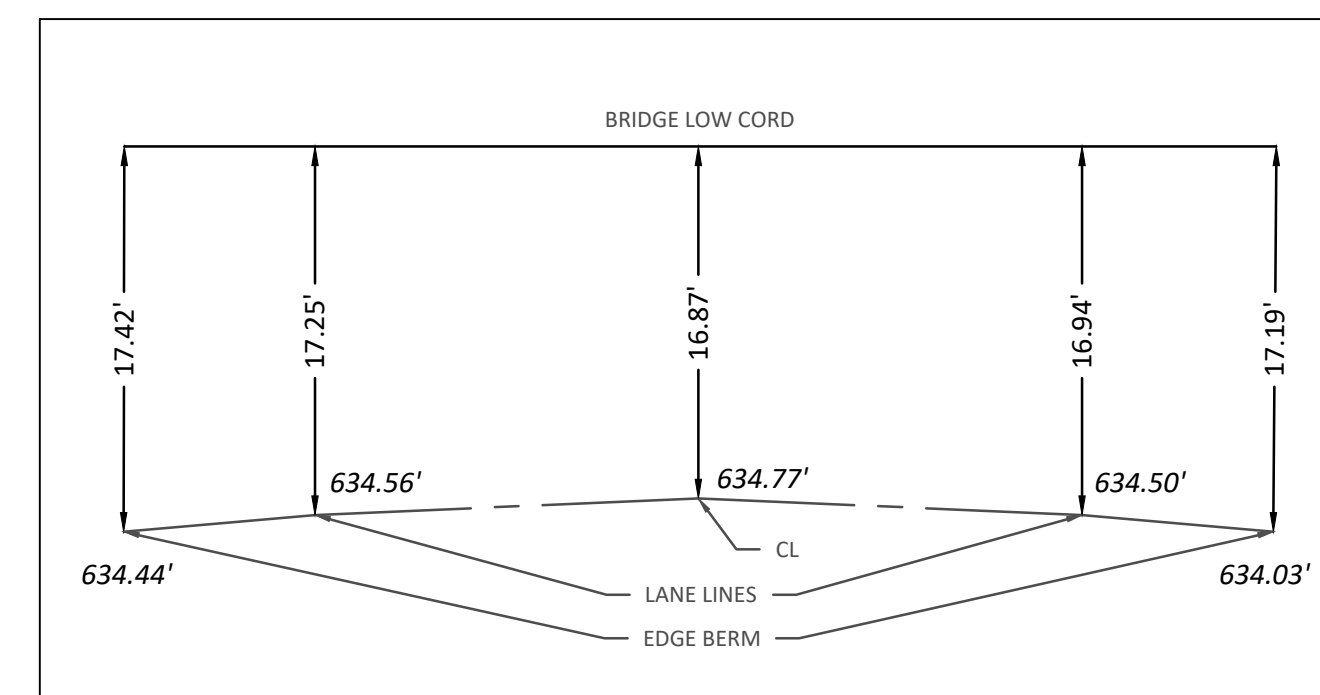


WEST BOUND-OUT

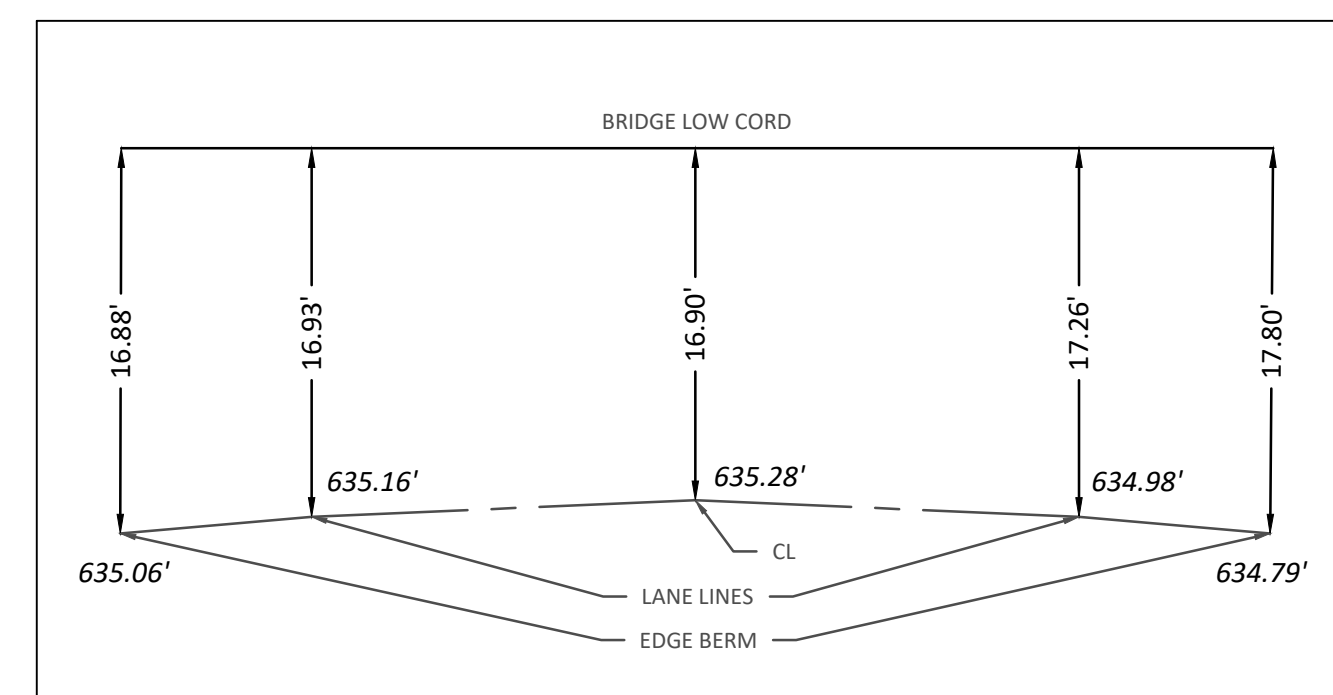
## BRIDGE 4 - FRENCHCREEK ROAD:



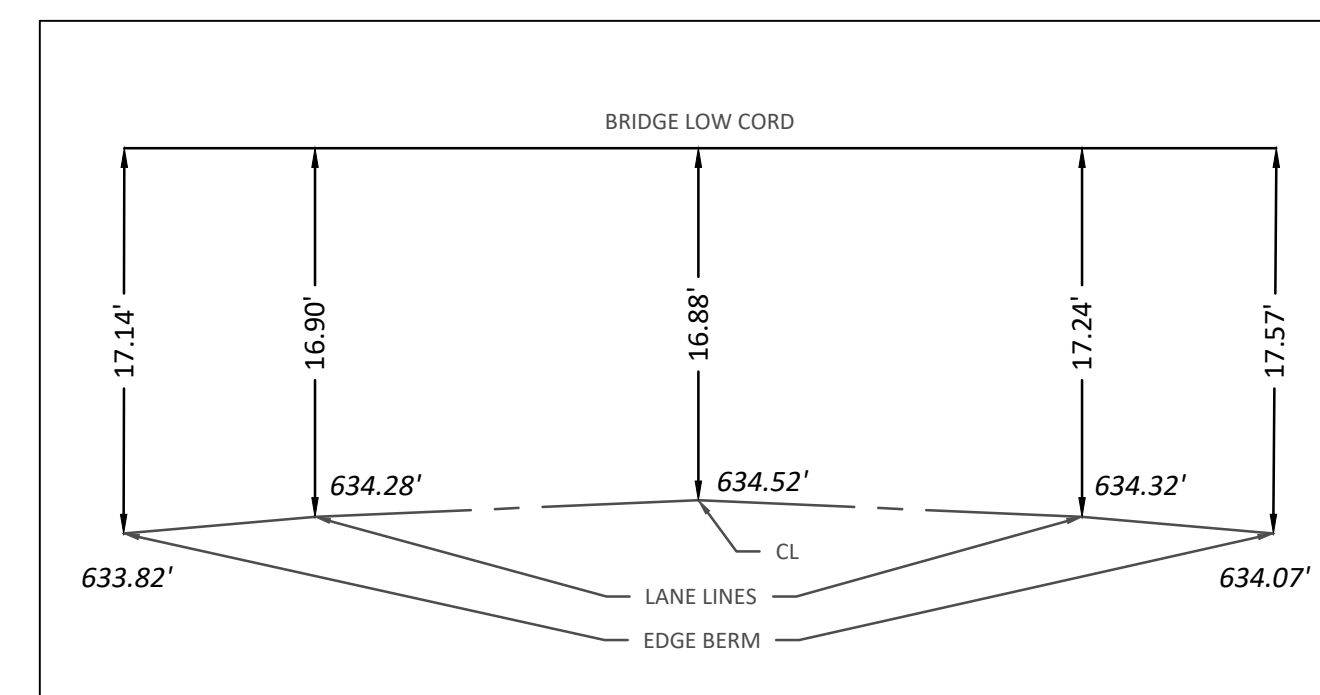
EAST BOUND-IN



WEST BOUND-IN



EAST BOUND-OUT



WEST BOUND-OUT

### SURVEYORS NOTES:

- CROSS SECTIONS SHOWN HEREON ARE FOR GRAPHICAL PURPOSES TO DISPLAY THE RESULTS OF A BRIDGE CLEARANCE SURVEY. EXISTING ROADWAY SLOPES MAY VARY FROM THOSE DEPICTED. CROSS SECTION DETAILS ARE NOT TO SCALE.
- MEASUREMENTS ARE DERIVED FROM FIELD THREE-DIMENSIONAL TERRESTRIAL SCANNING USING A TRIMBLE SX10, AND OFFICE INTERPRETATION OF SCAN POINT CLOUD DATA.
- AT THE TIME OF THE SURVEY, TEMPORARY LANE LINES WERE OBSERVED FOR THE FRENCH CREEK ROAD BRIDGE SURVEY. AS ONGOING CONSTRUCTION IS COMPLETED, AND NEW LANE LINES ARE PAINTED, THESE MEASUREMENTS BECOME IRRELEVANT.
- FIELD WORK WAS PERFORMED AUGUST 10TH 2022.

### BENCHMARKS:

BENCHMARKS FOR ALL FOUR BRIDGE SURVEYS ARE LOCATED NORTH AND ADJACENT TO THE I-90 WEST BOUND TRAVEL LANE, EAST OR NORTH (DEPENDING ON THE ORIENTATION OF I-90) OF THEIR RESPECTIVE BRIDGE CROSSING, BEING CHISELED SQUARES IN THE TOP OF A FOUR FOOT TALL CONCRETE WALL.

BENCHMARK ELEVATIONS WERE DERIVED USING DIFFERENTIAL LEVELING TECHNIQUES AND THE RECORD ELEVATION OF MV5 OF THE LOR-90-10.76 CENTERLINE PLAT.

BENCHMARK #1 - GULF ROAD  
ELEV.= 676.35'

BENCHMARK #2 - SR 254  
ELEV.= 657.98'

BENCHMARK #3 - ABBE ROAD NORTH  
ELEV.= 640.80'

BENCHMARK #4 - FRENCH CREEK ROAD  
ELEV.= 636.58'

PLOTTED: Aug 29, 2022 - 10:43am  
DRAWING: M:\20216 (0001) - LOR-090-10.76 Surveying Services (PID 107714, Agreement No. 36745)\107714\300-Survey\Clearances\107714-Bridge-Clearances.dwg: 22x34 Clearance (2)

NO	REVISION	DATE
9		
8		
7		
6		
5		
4		
3		
2		
1		

DGL CONSULTING ENGINEERS, LLC  
3455 BRIARFIELD BLVD, SUITE E  
MAUMEE, OHIO 43537  
PHONE: 614.535.1015 www.dgl-tld.com

LOR-90-10.76 BRIDGE CLEARANCE SURVEY

STATE OF OHIO, COUNTY OF LORAIN, CITY OF ELYRIA & SHEFFIELD VILLAGE, TOWNSHIP 6 NORTH, RANGE 16 WEST

107714-Bridge-Clearances.dwg  
JOB NO.: 22016  
DRAWN BY: JWC  
ISSUED: 08/28/2022