
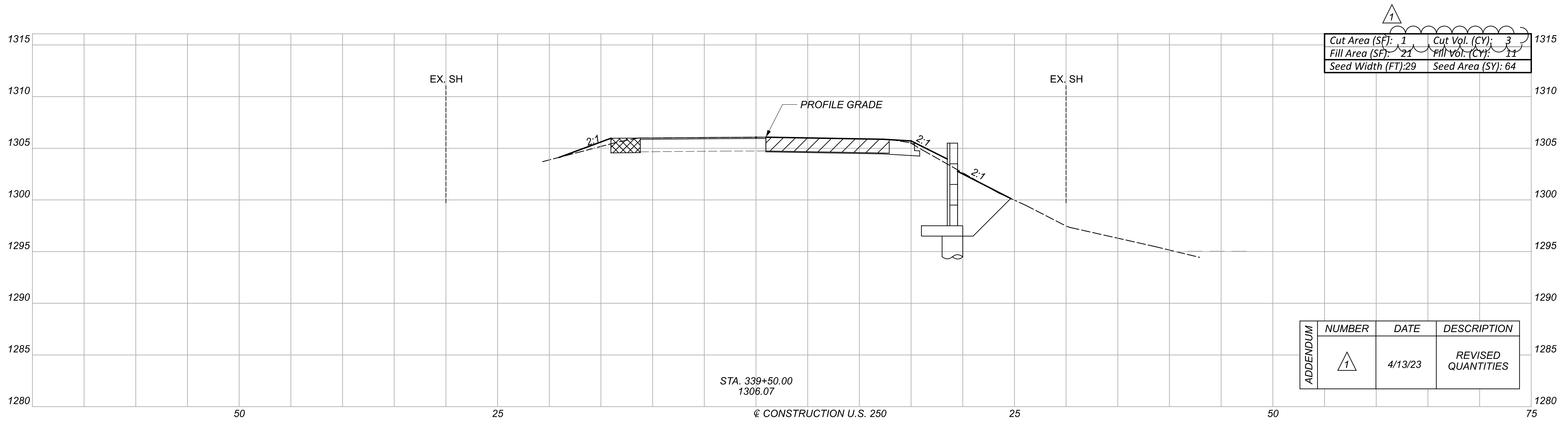
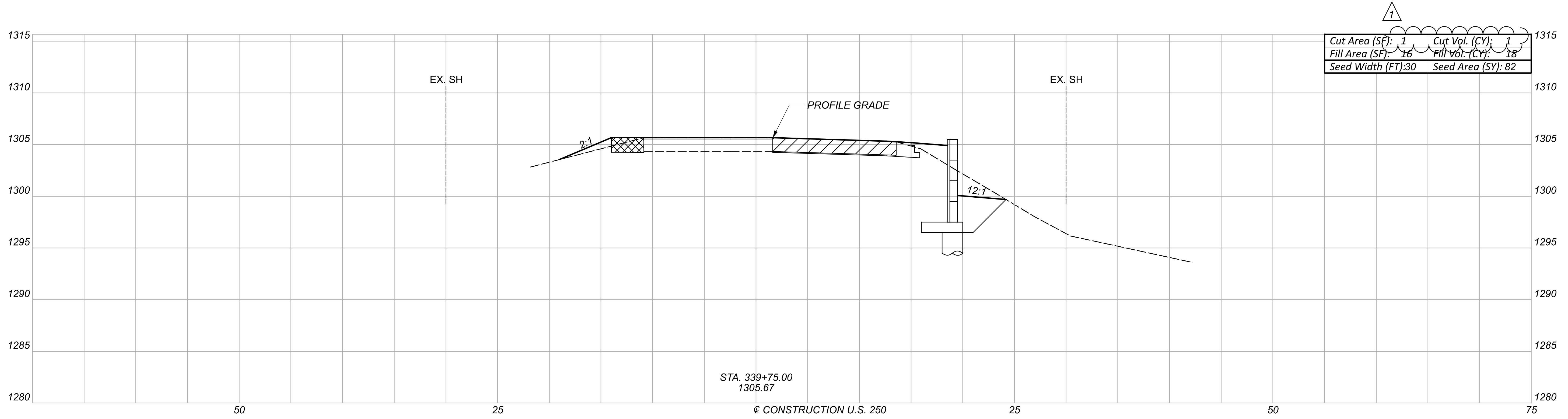

 ITEM 615, PAVEMENT FOR MAINTAINING TRAFFIC, CLASS B AS PER PLAN
 ITEM 202 - PAVEMENT REMOVED





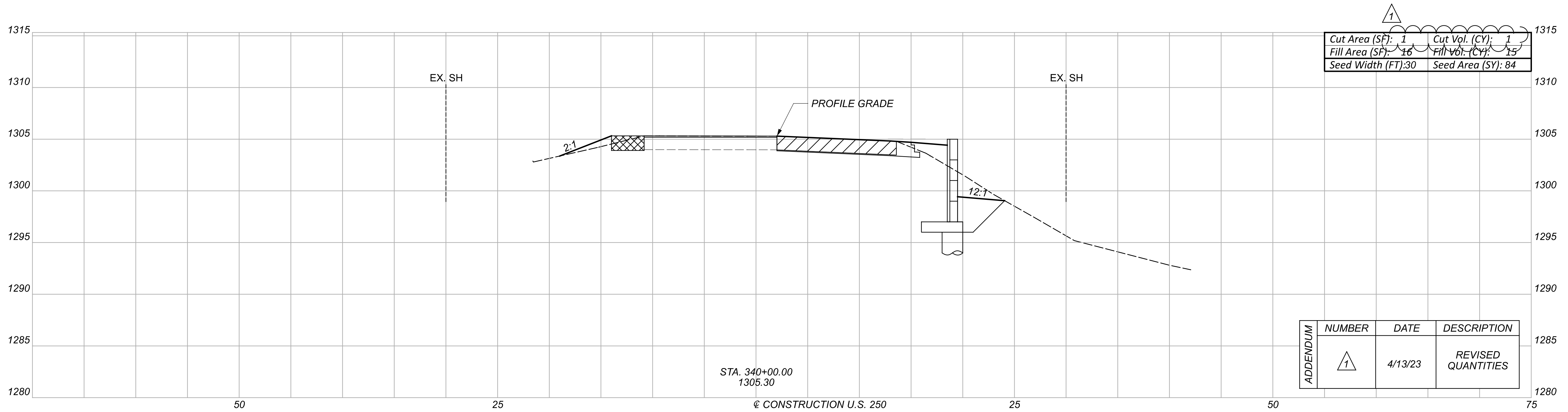
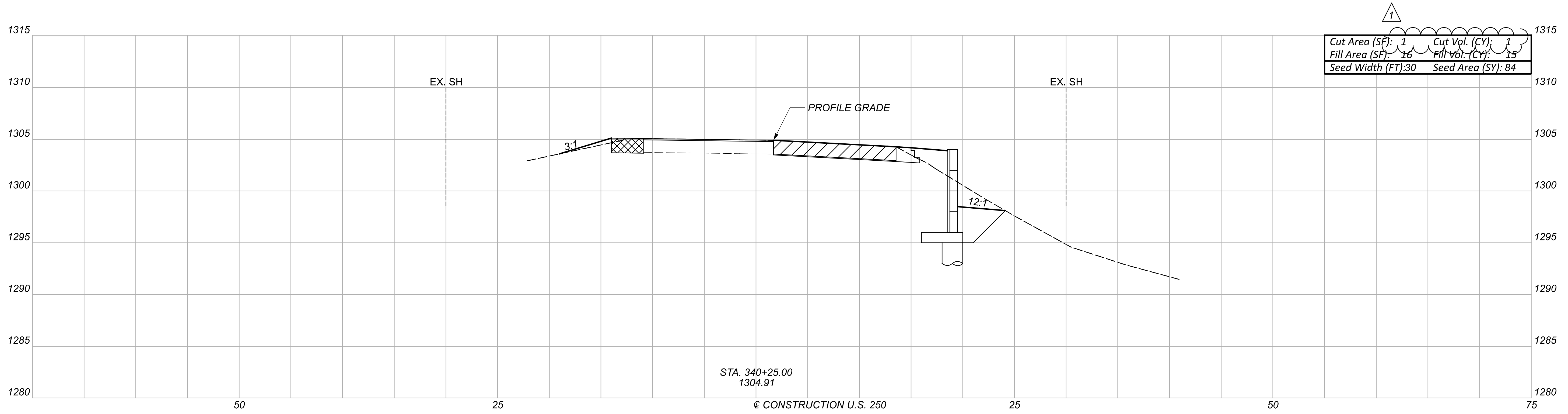
ADDENDUM	NUMBER	DATE	DESCRIPTION
	1	4/13/23	REVISED QUANTITIES

Sheet Totals			111508
Seeding	Cut	Fill	SHEET TOTAL
146	4	29	15 33

CROSS SECTIONS
 STA. 339+50 TO STA. 339+75

DESIGN AGENCY

 DESIGNER
 JLL
 REVIEWER
 TWG 11-02-22
 PROJECT ID
 111508


 ITEM 615, PAVEMENT FOR MAINTAINING TRAFFIC, CLASS B AS PER PLAN
 ITEM 202 - PAVEMENT REMOVED





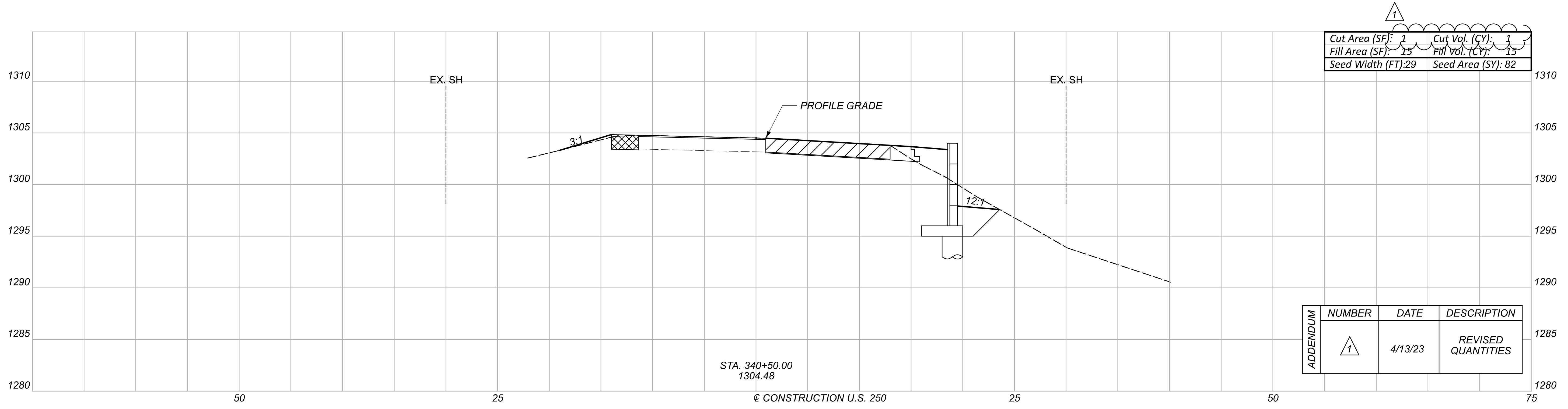
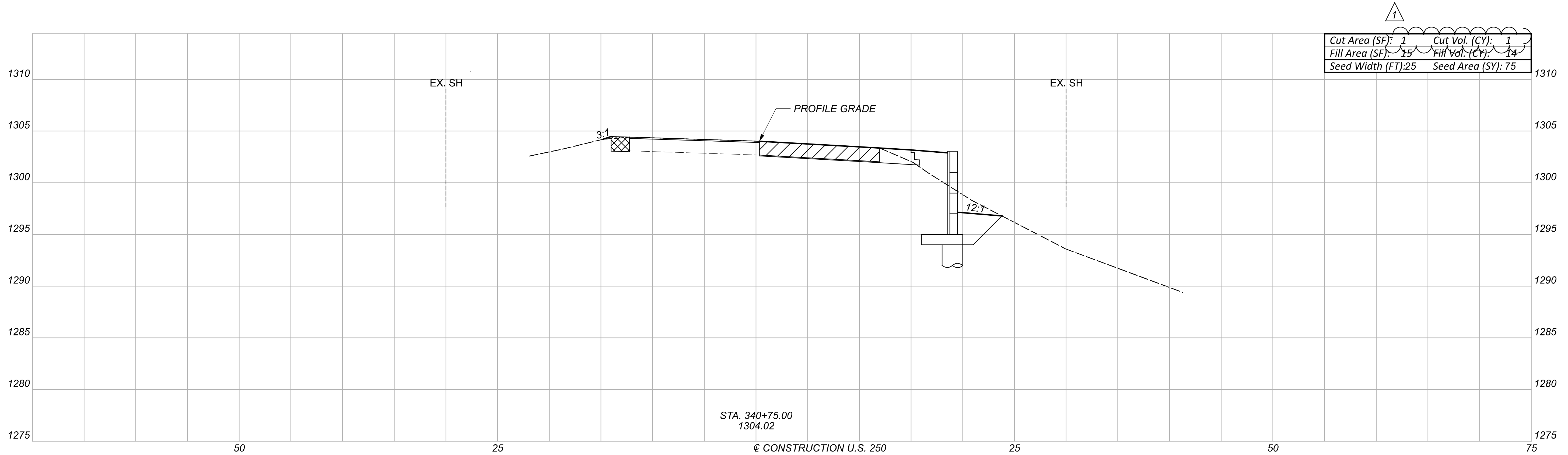
ADDENDUM	NUMBER	DATE	DESCRIPTION
1	1	4/13/23	REVISED QUANTITIES

Sheet Totals			111508	
Seeding	Cut	Fill	SHEET	TOTAL
168	2	30	16	33

CROSS SECTIONS
 STA. 340+00 TO STA. 340+25

DESIGN AGENCY

 DESIGNER
 JLL
 REVIEWER
 TWG 11-02-22
 PROJECT ID
 111508


 ITEM 615, PAVEMENT FOR MAINTAINING TRAFFIC, CLASS B AS PER PLAN
 ITEM 202 - PAVEMENT REMOVED

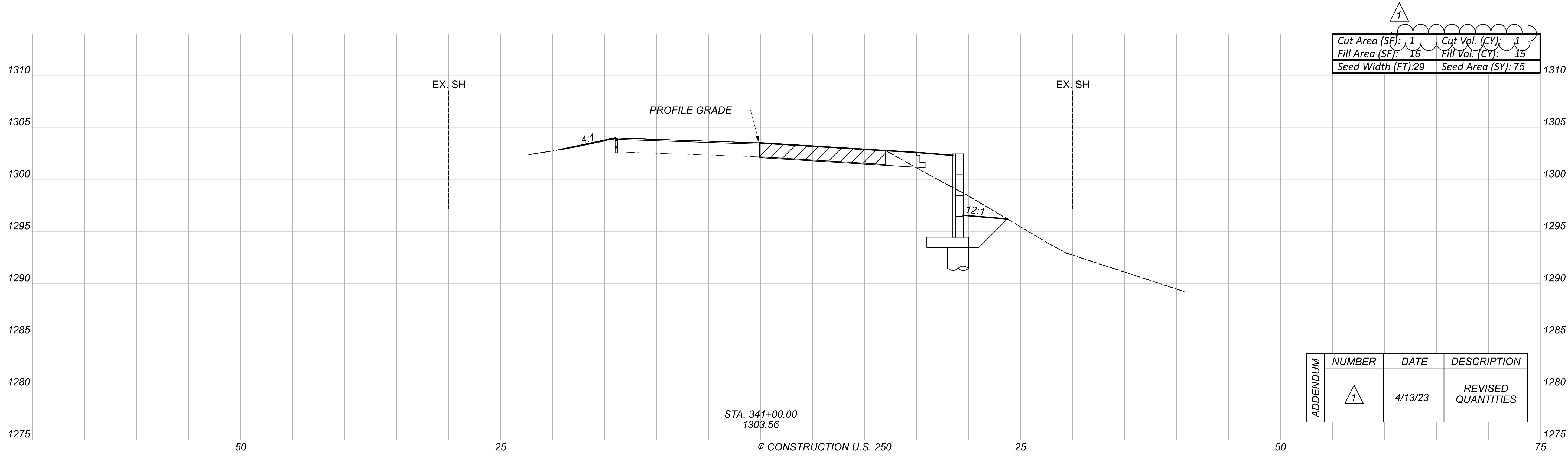
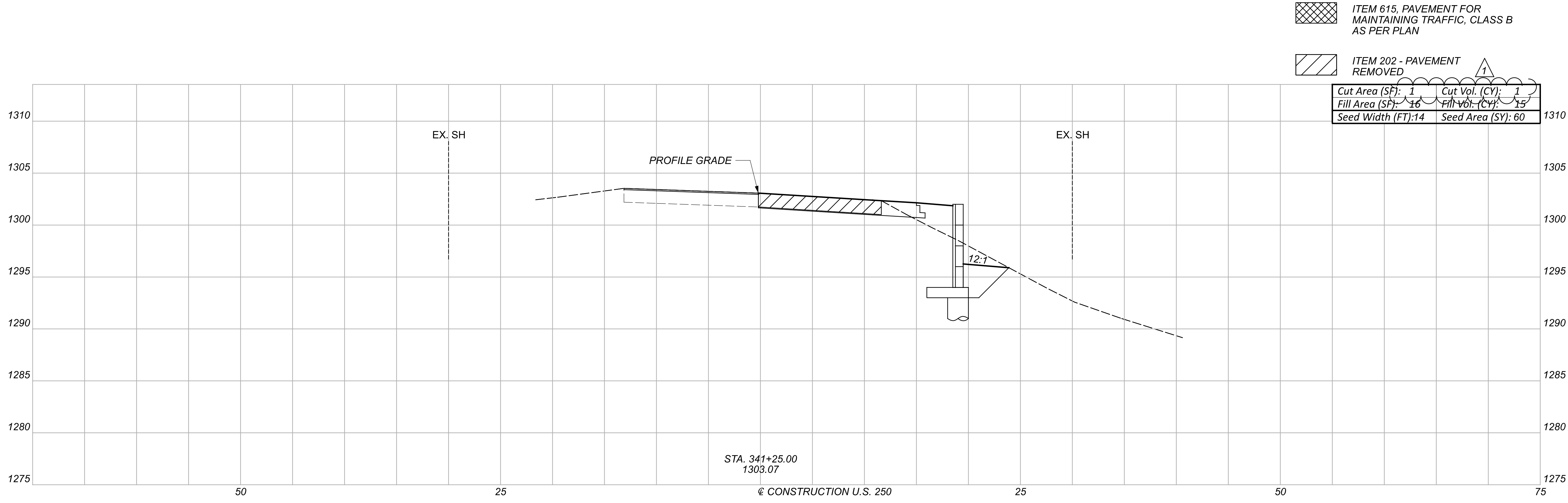


ADDENDUM	NUMBER	DATE	DESCRIPTION
	1	4/13/23	REVISED QUANTITIES

Sheet Totals			111508
Seeding	Cut	Fill	SHEET TOTAL
157	2	29	17 33

CROSS SECTIONS
 STA. 340+50 TO STA. 340+75

DESIGN AGENCY

 DESIGNER
 JLL
 REVIEWER
 TWG 11-02-22
 PROJECT ID
 111508

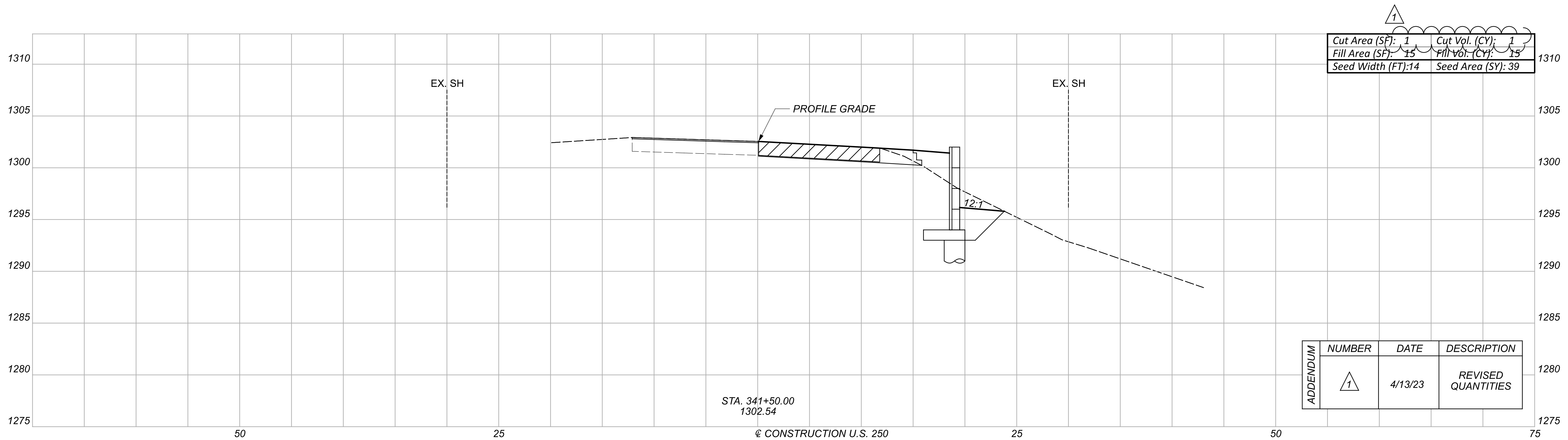
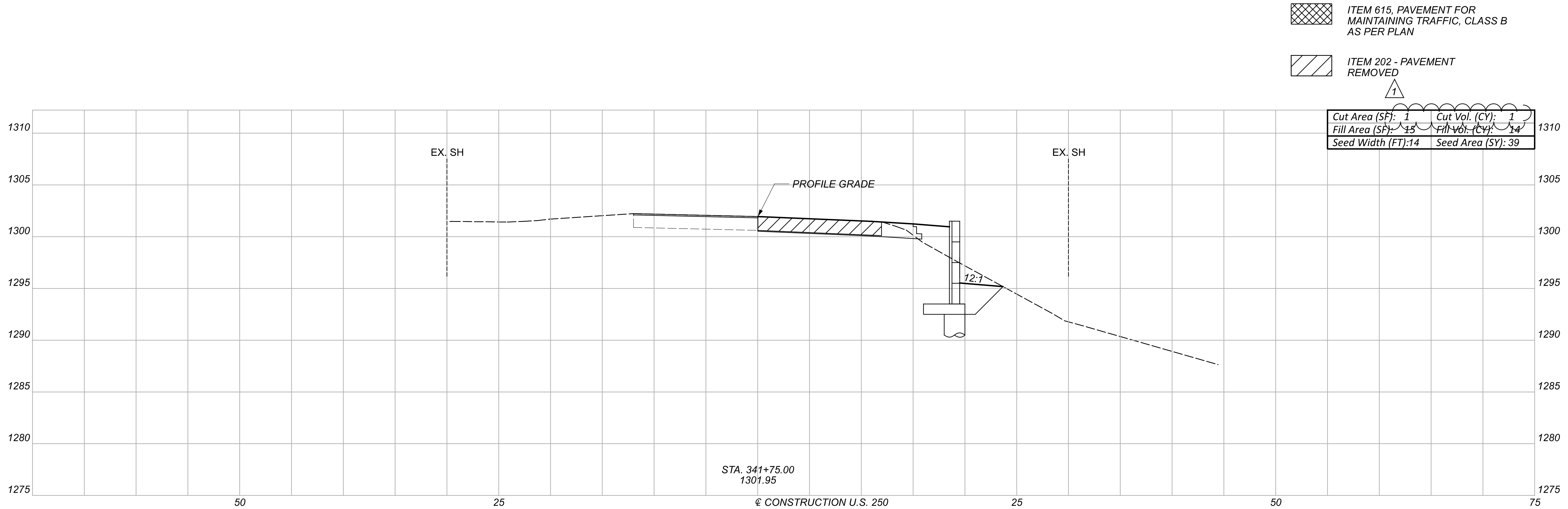


ADDENDUM	NUMBER	DATE	DESCRIPTION
	1	4/13/23	REVISED QUANTITIES

Sheet Totals			111508
Seeding	Cut	Fill	SHEET TOTAL
135	2	30	18 33

CROSS SECTIONS
 STA. 341+00 TO STA. 341+25

DESIGN AGENCY
 CARPENTER MARTY
 DESIGNER
 JLL
 REVIEWER
 TWG 11-02-22
 PROJECT ID
 111508





ADDENDUM	NUMBER	DATE	DESCRIPTION
1	4/13/23	REVISED QUANTITIES	

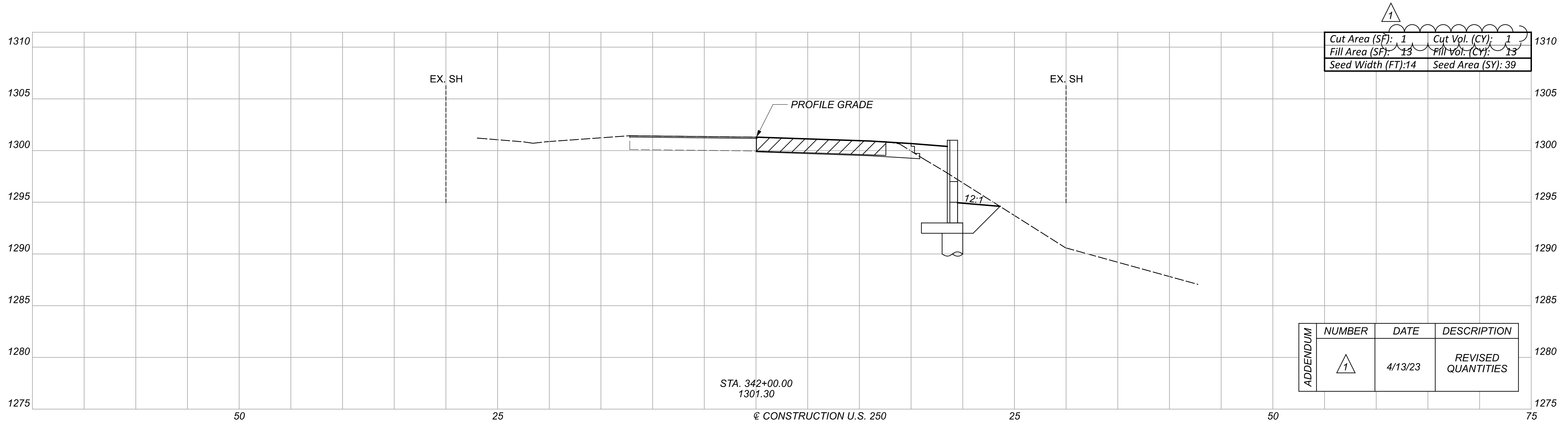
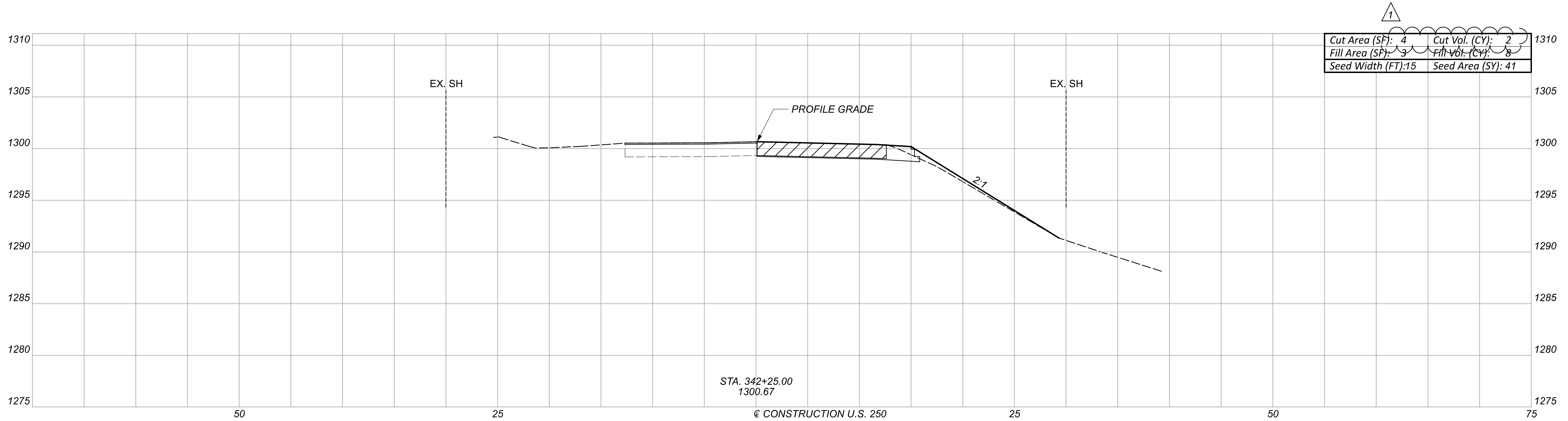
Sheet Totals			111508
Seeding	Cut	Fill	SHEET TOTAL
78	2	29	19 33

CROSS SECTIONS
 STA. 341+50 TO STA. 341+75

DESIGN AGENCY

 DESIGNER
 JLL
 REVIEWER
 TWG 11-02-22
 PROJECT ID
 111508


 ITEM 615, PAVEMENT FOR MAINTAINING TRAFFIC, CLASS B AS PER PLAN
 ITEM 202 - PAVEMENT REMOVED



ADDENDUM	NUMBER	DATE	DESCRIPTION
	1	4/13/23	REVISED QUANTITIES

Sheet Totals			111508	
Seeding	Cut	Fill	SHEET	TOTAL
80	3	21	20	33



CROSS SECTIONS
 STA. 342+00 TO STA. 342+25

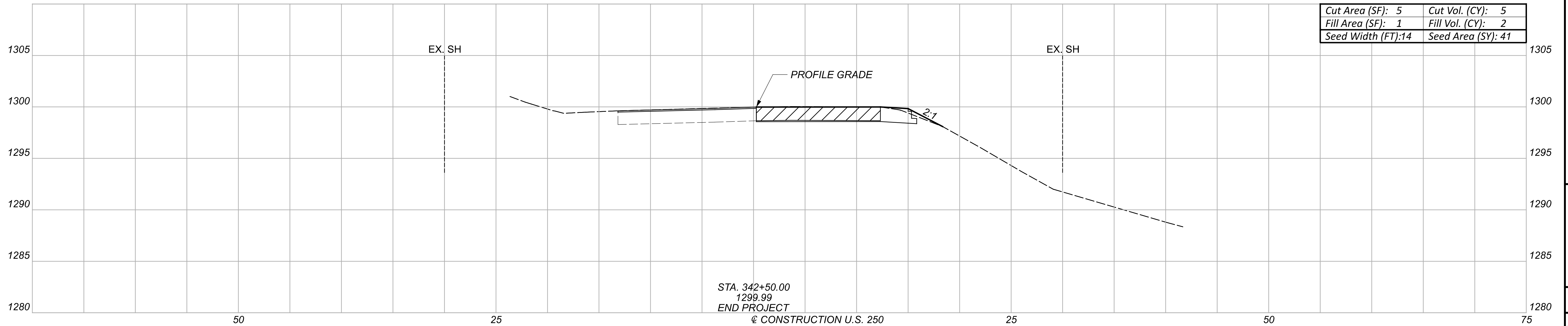
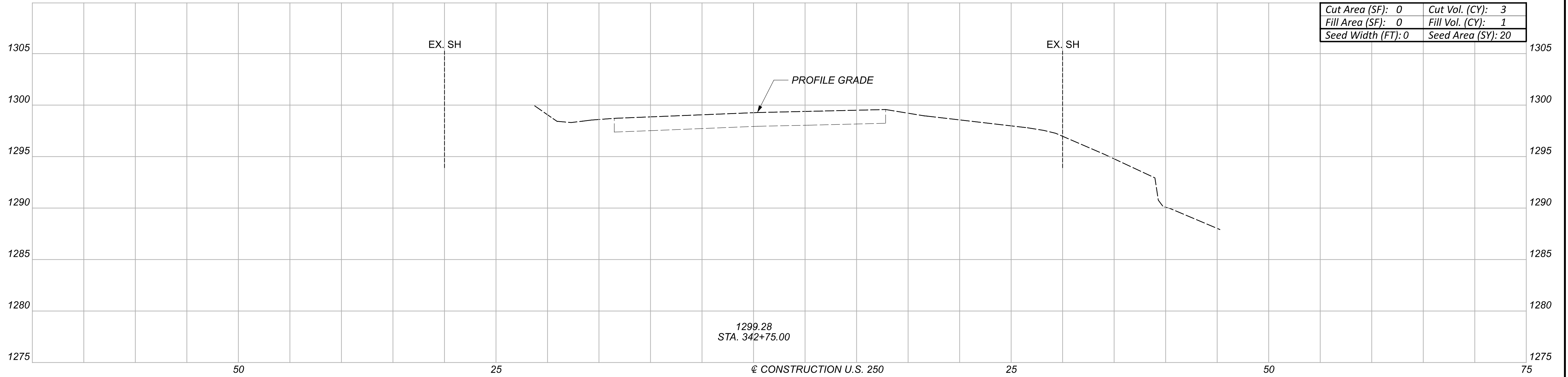
DESIGN AGENCY

 DESIGNER
 JLL
 REVIEWER
 TWG 11-02-22
 PROJECT ID
 111508

EARTHWORK QUANTITY SUBSUMMARY			
SHEET	203		659
	EXCAVATION CY	EMBANKMENT CY	SEEDING AND MULCHING SY
14	3	2	24
15	4	29	146
16	2	30	168
17	2	29	157
18	2	30	135
19	2	29	78
20	3	21	80
21	8	3	61
CARRIED TO GENERAL SUMMARY	26	173	849


1

ADDENDUM	NUMBER	DATE	DESCRIPTION
	1	4/13/23	REVISED QUANTITIES

-  ITEM 615. PAVEMENT FOR MAINTAINING TRAFFIC, CLASS B AS PER PLAN
-  ITEM 202 - PAVEMENT REMOVED



CROSS SECTIONS
STA. 342+50 TO STA. 342+75

DESIGN AGENCY

 DESIGNER
 JLL
 REVIEWER
 TWG 11-02-22
 PROJECT ID
 111508

Sheet Totals			SHEET TOTAL	
Seeding	Cut	Fill	SHEET	TOTAL
61	8	3	21	33