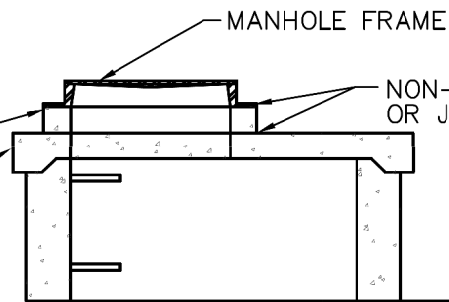
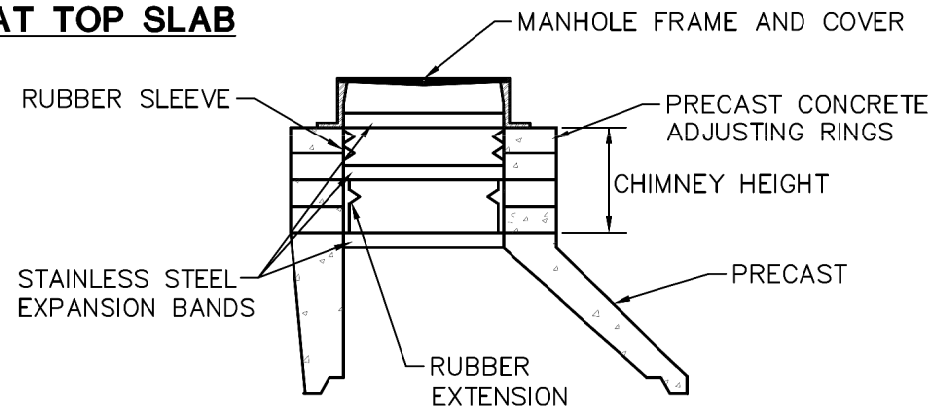


pw:\aecom-na-pw.bentley.com\AECOM\_DS20\_NA\_2019\Documents\60584726-000T\_D7GES\900-Task\_Orders\Task\_71\CHP-36\_29-15.05\_21.07\04893\Design\Drainage\Sheet\DD001.dgn Sheet 11/4/2020 4:15:44

MANHOLE FRAME & LID  
 NON-SHRINK GROUT OR JOINT SEALER  
 PRECAST ADJUSTING RING (MIN. ADJUSTMENT 2") (MAX. ADJUSTMENT 12")  
 PRECAST FLAT-SLAB TOP O-RING

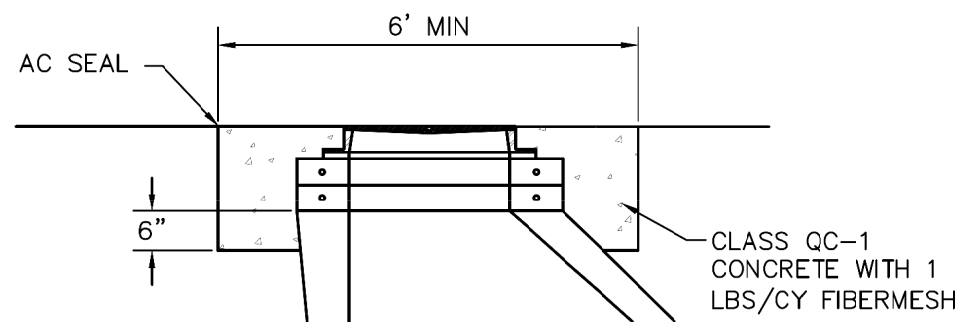


**FLAT TOP SLAB**



**INTERNAL MANHOLE CHIMNEY SEAL**

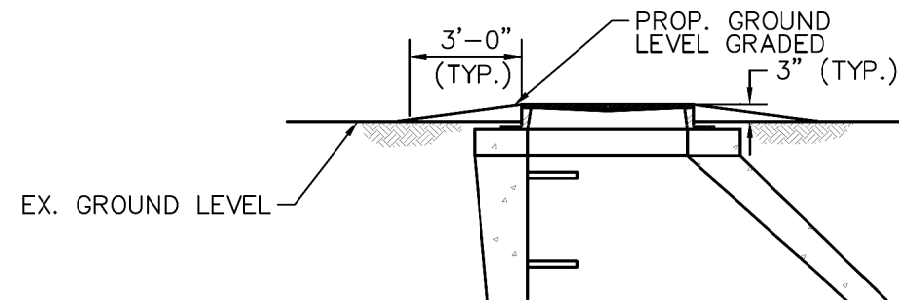
(REQUIRED BY ALL SANITARY APPLICATIONS)



**MANHOLE REPAIR CASTING CONSTRUCTION**

**NOTES:**

1. PRECAST CONCRETE ADJUSTING RINGS- ENCASE WITH CONCRETE 6" DOWN FROM BARRELL TOP AND UP TO FLUSH WITH SURFACE. METAL ADJUSTING RINGS WILL NOT BE ALLOWED.
2. SET MANHOLE, PRECAST CONCRETE ADJUSTING RINGS AND CASTING AND PAVE OVER MANHOLE. THEN DIG OUT, ENCASE COLLARS AND CASTING AS PER DETAIL WITH CONCRETE TO THE SURFACE.



**TYPICAL OFF STREET MANHOLE GRADING**

**NOTES**

- A. MANHOLE STEPS SHALL BE SECURLY INSTALLED INTO EACH MANHOLE SECTION, BY THE MANUFACTURER, PRIOR TO DELIVERY TO THE JOB SITE.
- B. MANHOLE STEPS SHALL BE PFS-1 STEP BY M.A. INDUSTRIES OR EQUIVILENT.

**CITY OF URBANA**

**MISCELLANEOUS SANITARY MANHOLE DETAILS**

REVISIONS:  
 12-20-12  
 04-10-19

DATE APPROVED:  
 01-13-06

PAGE No.

1167.84

CALCULATED  
 CAL  
 CHECKED  
 NSP

**MANHOLE DETAILS**

CHP - 36 - 15.05  
 CHP - 29 - 21.07