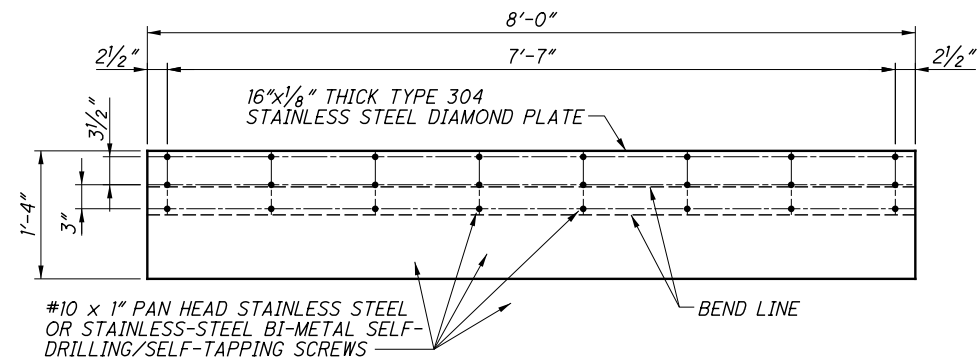
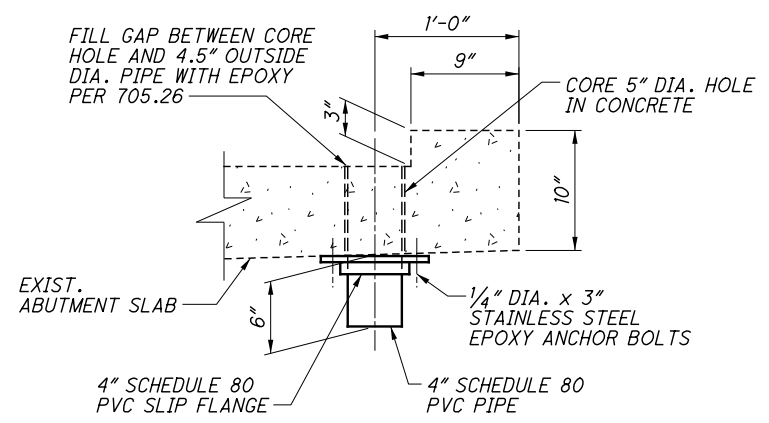


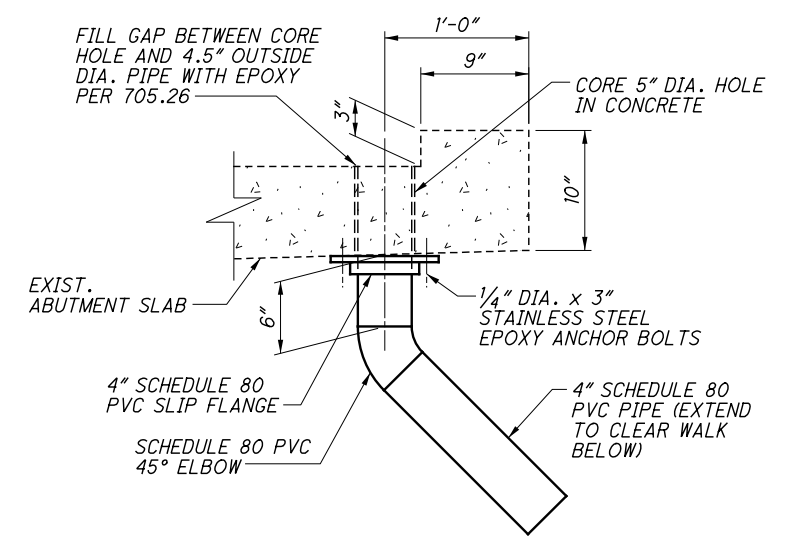
F:\2016\16041 D12 Bridge Rehab\12-BH-FY2021 Group 5\ProjectData\103162\Design\Structures\CUY480\_0126\Sheets\480\_0126AD003.dgn 4/7/2021 2:20:06 PM smorr



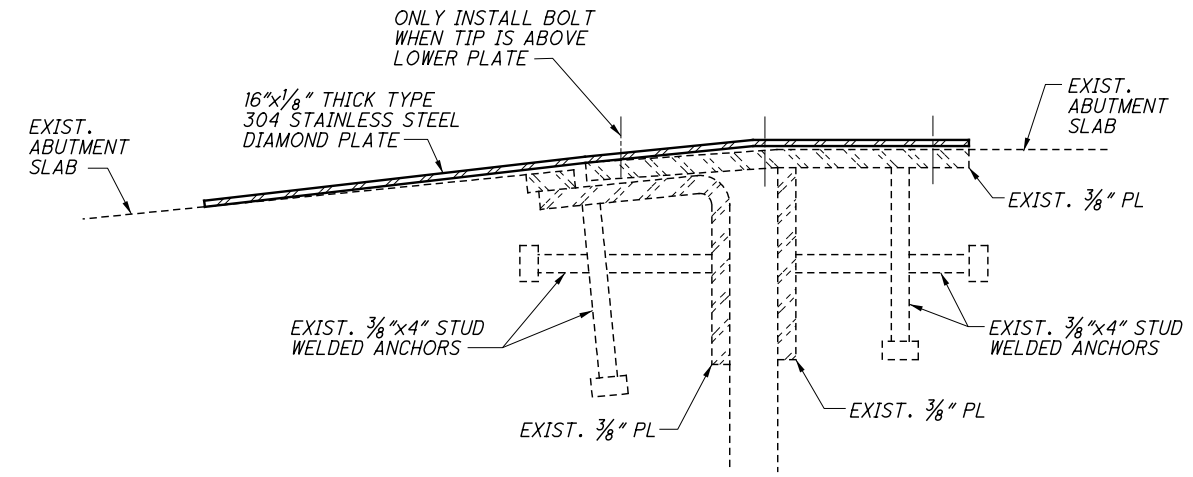
**DIAMOND PLATE DETAIL**



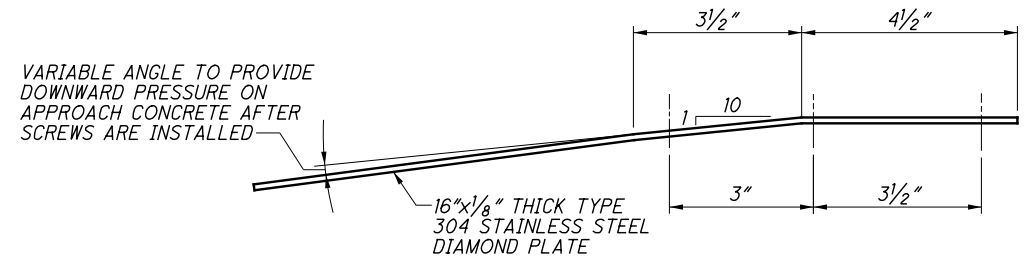
**NEW SCUPPER DETAIL**



**NEW SCUPPER & DOWNSPOUT DETAIL**



**JOINT SECTION**



**PLATE DETAIL**

**EXPANSION JOINT REPAIR DETAILS**

PAYMENT FOR THIS ITEM SHALL BE PER EACH. PAYMENT SHALL BE MADE UNDER ITEM 516 - STRUCTURAL JOINT OR JOINT SEALER, MISC.: ADDING DIAMOND PLATE COVER TO JOINT.

**ABUTMENT SLAB DRAINAGE DETAILS**

PAYMENT FOR THIS ITEM SHALL BE PER EACH. PAYMENT SHALL BE MADE UNDER ITEM 518 - SCUPPER, MISC.: CORING AND INSTALLING PVC DOWNSPOUT.



**NORTH ABUTMENT FENCE REPAIR**

PAYMENT FOR THIS ITEM SHALL BE PER EACH. PAYMENT SHALL BE MADE UNDER ITEM 607 - FENCE, MISC.: REPAIR DAMAGED FENCE ON NORTH ABUTMENT LANDING.

**NOTES:**

1. DETAILS ON THIS SHEET ARE TAKEN FROM EXISTING PLANS AND SHOULD BE USED FOR INFORMATION PURPOSES ONLY.
2. PERFORM THE PROPOSED WORK INDICATED ON THIS SHEET. MATERIALS SHOWN ARE NEW UNLESS OTHERWISE NOTED.
3. FOR ESTIMATED QUANTITIES SEE SHEET 2/6.

RICHLAND ENGINEERING LIMITED 29 NORTH PARK STREET MANSFIELD, OHIO 44902	
DATE	8/2020
REVIEWED	DLR
DESIGNED	BLN
DRAWN	JLS
CHECKED	dnt
STRUCTURE FILE NUMBER	1814028
ABUTMENT REPAIR DETAILS - LOCATION 5	
BRIDGE NO. CUY-480-0126	
CHRISTMAN DRIVE PEDESTRIAN BRIDGE OVER IR 480	
D12-BH-FY2021(A) MISC	PID No. 103162
5	6
62	96