

GENERAL

CONSTRUCTION INTERIM COMPLETION DATE:

CONSTRUCTION OF THIS PROJECT (EXCEPT STEEL PAINTING) SHALL BE COMPLETED AND THE BRIDGE SHALL BE FULLY OPEN TO TRAFFIC BY 10/31/2022. CONSTRUCTION OF THE STEEL PAINTING SHALL BE COMPLETED BY 6/30/2023.

UTILITIES

LISTED BELOW ARE ALL UTILITIES LOCATED WITHIN THE PROJECT CONSTRUCTION LIMITS TOGETHER WITH THEIR RESPECTIVE OWNERS:

SEWERS: CITY OF INDEPENDENCE
6800 BRECKSVILLE ROAD
INDEPENDENCE, OHIO 44131
ATTN.: DONALD RAMM
PHONE: (216) 524-1374
rammdo@independenceohio.org

WATER: CITY OF CLEVELAND DIVISION OF WATER
1201 LAKESIDE AVENUE
CLEVELAND, OHIO 44114
ATTN.: FRED ROBERTS
PHONE: (216) 664-2444 x75590
fred.roberts@clevelandwater.com

TELEPHONE: AT&T LOCAL
13630 LORAIN AVENUE - 2ND FLOOR
CLEVELAND, OHIO 44111
ATTN.: JAMES JANIS
PHONE: (216) 476-6142
FAX: (216) 476-6013
pj8191@att.com

AT&T TRANSMISSION/LONG LINES
755 EAST PLEASANT VALLEY ROAD, SUITE 140
INDEPENDENCE, OHIO 44131
ATTN.: MIKE DIEDERICH
PHONE: (216) 750-0135
md4145@att.com

AT&T LNS/METRO
THAYER POWER AND COMMUNICATION, LLC
12345 WORTHINGTON ROAD NW
PATASKALA, OHIO 43062
ATTN.: CHRIS MCCLOSKEY
PHONE: (614) 379-6419
ChrisMcCloskey@thayerpc.com

CENTURYLINK
400 CHESTER AVENUE
CLEVELAND, OHIO 44103
ATTN.: DOUG HOLLOWAY
PHONE: (440) 906-6284
doug.holloway@centurylink.com

CHARTER COMMUNICATIONS
7 SEVERENCE CIRCLE
CLEVELAND HEIGHTS, OHIO 44118
ATTN.: PAT SANTOITEMMO
PHONE: (216) 575-8016 EXT. 12165554202
FAX: (216) 581-3262
Pat.Santoiemmo@charter.com

CROWN CASTLE
15565 NEO PKWY
GARFIELD HEIGHTS, OHIO 44128
ATTN.: JON TARNOWSKI
PHONE: (585) 445-5813
Jon.Tarnowski@crowncastle.com

WINDSTREAM
ATTN.: LEON TAYLOR
50 EXECUTIVE PKWY
HUDSON, OHIO 44236
PHONE: (330) 650-7663
Leon.Taylor@windstream.com

MARK MILLS
102 EAST SHAFER STREET
FORSYTH, ILLINOIS 62535
PHONE: (217) 460-0002
Mark.Mills@windstream.com

WOWI CABLE
105 BLAZE INDUSTRIAL PARKWAY
BEREA, OHIO 44017
ATTN.: JOSEPH AULT
PHONE: (216) 904-6476
joseph.ault@wowinc.com

ZAYO FIBER SOLUTIONS
4199 KINROSS LAKES PARKWAY
RICHFIELD, OHIO 44286
ATTN.: COLTON WOODRUFF
PHONE: (419) 631-1303
colton.woodruff@zayo.com

ELECTRIC: CEI FIRST ENERGY
6896 MILLER ROAD, SUITE 101
BRECKSVILLE, OHIO 44141
ATTN.: JOHN ZASSICK
PHONE: (440) 546-8706
jmzassick@firstenergycorp.com

GAS: DOMINION ENERGY OHIO
320 SPRINGSIDE DRIVE, SUITE 320
AKRON, OHIO 44333
ATTN.: AARON CONANT
PHONE: (330) 664-2451
k.aaron.conant@dominionenergy.com

ODOT LIGHTING: ODOT DISTRICT 12
25609 EMERY ROAD
WARRENSVILLE HEIGHTS, OHIO 44128
ATTN.: DAVID NIMRICHTER SR.
PHONE: (216) 584-2296
david.nimrichter@dot.ohio.gov

THE LOCATION OF THE UNDERGROUND UTILITIES SHOWN ON THE PLANS ARE AS OBTAINED FROM THE OWNERS AS REQUIRED BY SECTION 153.64 O.R.C.

FOR COORDINATION REGARDING THE TORNADO WARNING SIREN LOCATED AT THE SOUTHWEST BRIDGE CORNER, CONTACT:

CITY OF INDEPENDENCE
6800 BRECKSVILLE ROAD
INDEPENDENCE, OHIO 44131
ATTN.: DONALD RAMM
PHONE: (216) 524-1374
rammdo@independenceohio.org

DOMINION EAST OHIO GAS FACILITIES

IT IS THE CONTRACTOR'S RESPONSIBILITY TO MAINTAIN THE LATERAL AND SUBJACENT SUPPORT OF DOMINION ENERGY'S PIPELINE(S), IN COMPLIANCE TO 29 CFR, PART 1926, SUBPART P, (SAFE EXCAVATION & SHORING). ONE-FOOT MINIMUM VERTICAL AND HORIZONTAL CLEARANCE MUST BE MAINTAINED BETWEEN DOMINION ENERGY OHIO'S (DEO) EXISTING PIPELINE(S) AND ALL OTHER IMPROVEMENTS. EXTREME CARE SHOULD BE TAKEN NOT TO HARM ANY DEO FACILITY (PIPELINES, ETC.) OR APPURTENANCE (PIPE COATING, TRACER WIRE, CATHODIC PROTECTION TEST STATION WIRES & DEVICES, VALVE BOXES, ETC.). DEO FACILITIES MUST BE PROTECTED WITH A TARP DURING BRIDGE CONSTRUCTION. THE CONTRACTOR WILL BE RESPONSIBLE AND LIABLE FOR ENSURING THAT ALL DEO EXISTING FACILITIES, ABOVE AND BELOW GROUND, REMAIN UNDAMAGED, ACCESSIBLE, AND IN WORKING ORDER. THE CROSSING OF DEO'S PIPELINE WITH ANOTHER STEEL FACILITY MAY CREATE A POTENTIAL CORROSION ISSUE FOR THE PROPOSED FACILITY AND THE EXISTING DEO FACILITY. PLEASE CONTACT DOMINION EAST OHIO'S CORROSION DEPARTMENT: DAVE CUTLIP (330-266-2121), RICK MCDONALD (330-266-2122), OR AL HUMRICHOUER (330-478-3757).

COORDINATION WITH OTHER CONTRACTORS

IN ADDITION TO THE REQUIREMENTS OF C&MS 105.08, THE FOLLOWING PROJECTS ARE KNOWN TO BE WORKING CONCURRENTLY:

"BRECKSVILLE ROAD IMPROVEMENTS" PROJECT FOR THE CITY OF INDEPENDENCE.

THE ODOT PROJECT CUY-480-18.42 (PID 90591), I.R. 480 BRIDGE OVER THE CUYAHOGA RIVER VALLEY, INCLUDING APPROACH ROADWAY WORK ON THE MAINLINE AND I.R. 77 INTERCHANGE RAMPS.

ODOT PROJECT CUY-21-8.22 (PID 89257), RESURFACING OF BRECKSVILLE ROAD FROM ROCKSIDE ROAD TO GRANGER ROAD.

GREATER CLEVELAND REGIONAL TRANSIT AUTHORITY (GCRTA)

THE CONTRACTOR SHALL NOTIFY GCRTA FIVE (5) DAYS PRIOR TO THE IMPLEMENTATION OF MAINTENANCE OF TRAFFIC OPERATIONS.

CONSTRUCTION NOISE

ACTIVITIES AND LAND USE ADJACENT TO THIS PROJECT MAY BE AFFECTED BY CONSTRUCTION NOISE. A NOISE WAIVER HAS BEEN GRANTED BY THE CITY OF INDEPENDENCE FOR DEMOLITION AND DECK POURING ACTIVITIES ONLY. CONDUCT ALL OPERATIONS TO MINIMIZE THE NOISE AND COMPLY WITH SPECIFICATION 107.

SURVEYING PARAMETERS

PRIMARY PROJECT CONTROL MONUMENTS GOVERN ALL POSITIONING ON ODOT PROJECTS. SEE THIS SHEET FOR A TABLE CONTAINING PROJECT CONTROL INFORMATION.

USE THE FOLLOWING PROJECT CONTROL, VERTICAL POSITIONING, AND HORIZONTAL POSITIONING PARAMETERS FOR ALL SURVEYING:

PROJECT CONTROL

POSITIONING METHOD: RTK GPS
MONUMENT TYPE: B

VERTICAL POSITIONING
ORTHOMETRIC HEIGHT DATUM: NAVD88
GEOID: ~~SE@1111~~ 12@NE (3401)

HORIZONTAL POSITIONING
REFERENCE FRAME: NAD83(2011)
ELLIPSOID: GRS80
MAP PROJECTION: LAMBERT CONFORMAL CONIC
COORDINATE SYSTEM: OHIO STATE PLANE

COMBINED SCALE FACTOR: 0.99923526889
ORIGIN OF COORDINATE SYSTEM: X=0, Y=0

USE THE POSITIONING METHODS AND MONUMENT TYPE USED IN THE ORIGINAL SURVEY TO RESTORE ALL MONUMENTS RELATED TO PRIMARY PROJECT CONTROL THAT ARE DAMAGED OR DESTROYED BY CONSTRUCTION ACTIVITIES. RESTORE THE DAMAGED OR DESTROYED MONUMENTS IN ACCORDANCE WITH CMS 623.

UNITS ARE IN U.S. SURVEY FEET.

PRIMARY PROJECT CONTROL INFORMATION

POINT	NORTHING	EASTING	ELEV.	FEATURE
2	635144.314	2204572.204	726.82	CMONS
202	635632.070	2204454.412	715.90	CNPT-IPINS

WORK LIMITS

THE WORK LIMITS SHOWN ON THESE PLANS ARE FOR PHYSICAL CONSTRUCTION ONLY. PROVIDE THE INSTALLATION AND OPERATION OF ALL WORK ZONE TRAFFIC CONTROL AND WORK ZONE TRAFFIC CONTROL DEVICES REQUIRED BY THESE PLANS WHETHER INSIDE OR OUTSIDE THESE WORK LIMITS.

PROJECT PARTICIPATION SPLITS

THE FOLLOWING PARTICIPATION SPLITS ARE PRESENT WITHIN THIS PROJECT:

01/BRO/BR	PROJECT
02/NFP/BR	CITY OF INDEPENDENCE
03/NFP/BR	CROWN CASTLE
04/NFP/BR	CENTURYLINK
05/NFP/BR	WINDSTREAM
06/NFP/BR	CHARTER COMMUNICATIONS

ITEM 202 - PAVEMENT REMOVED, AS PER PLAN

PAVEMENT REMOVAL SHALL INCLUDE THE REMOVAL OF CONCRETE BASE, WEARING COURSE AND INTEGRAL CONCRETE CURB. ALL OTHER REQUIREMENTS OF C&MS 202 SHALL STILL APPLY.

CLEARING AND GRUBBING

ALTHOUGH THERE ARE NO TREES OR STUMPS SPECIFICALLY MARKED FOR REMOVAL WITHIN THE LIMITS OF THE PROJECT, A LUMP SUM QUANTITY IS INCLUDED IN THE GENERAL SUMMARY FOR ITEM 201, CLEARING AND GRUBBING. ALL PROVISIONS AS SET FORTH IN THE SPECIFICATIONS UNDER THIS ITEM ARE INCLUDED IN THE LUMP SUM PRICE BID FOR ITEM 201, CLEARING AND GRUBBING.

ROADWAY

ITEM 606 - ANCHOR ASSEMBLY, MGS TYPE E (MASH 2016)

THIS ITEM SHALL CONSIST OF FURNISHING AND INSTALLING ANY OF THE GUARDRAIL END TERMINALS FOR TYPE MGS GUARDRAIL AS LISTED ON ROADWAY ENGINEERING'S WEB PAGE UNDER ROADSIDE SAFETY DEVICES FOR APPROVED GUARDRAIL END TREATMENTS. INSTALLATION SHALL BE AT THE LOCATIONS SPECIFIED IN THE PLANS, IN ACCORDANCE WITH THE MANUFACTURER'S SPECIFICATIONS.

THE FACE OF THE TYPE E IMPACT HEAD SHALL BE COVERED WITH A SHEET OF TYPE G REFLECTIVE SHEETING, PER CMS 730.19.

REFER TO THE MANUFACTURER'S INSTRUCTIONS REGARDING THE INSTALLATION OF, AND THE GRADING AROUND THE FOUNDATION TUBES AND GROUND STRUT. THE TOP OF ANY FOUNDATION TUBE SHOULD BE LESS THAN 4 INCHES ABOVE THE GROUND. THE PLACEMENT OF THE FOUNDATION TUBES SHOULD BE AN APPROPRIATE DEPTH BELOW THE LEVEL LINE IN ORDER TO MAINTAIN THE FINISHED GUARDRAIL HEIGHT OF 31 INCHES FROM THE EDGE OF THE SHOULDER.

ON-SITE GRADING IS REQUIRED IF THE TOP OF THE FOUNDATION TUBES OR TOP OF THE GROUND STRUT DOES PROJECT MORE THAN 4 INCHES ABOVE THE GROUND LINE.

PAYMENT FOR THE ABOVE WORK SHALL BE MADE AT THE UNIT PRICE BID FOR ITEM 606, ANCHOR ASSEMBLY, MGS TYPE E (MASH 2016), EACH, AND SHALL INCLUDE ALL LABOR, TOOLS, EQUIPMENT AND MATERIALS NECESSARY TO CONSTRUCT A COMPLETE AND FUNCTIONAL ANCHOR ASSEMBLY SYSTEM, INCLUDING ALL RELATED TRANSITIONS, REFLECTIVE SHEETING, HARDWARE, GRADING, EMBANKMENT AND EXCAVATION NOT SEPARATELY SPECIFIED, AS REQUIRED BY THE MANUFACTURER.

CALCULATED
DRP
CHECKED
MEP

GENERAL NOTES

CUY - 021 - 09 . 09

P:\000T\20170709.000 Distric12 - CUY-021-09-09\CUY\104000\Design\Roadway\Sheets\104000_GN001.dgn Sheet 10/18/2021 9:51:10 AM ewellman

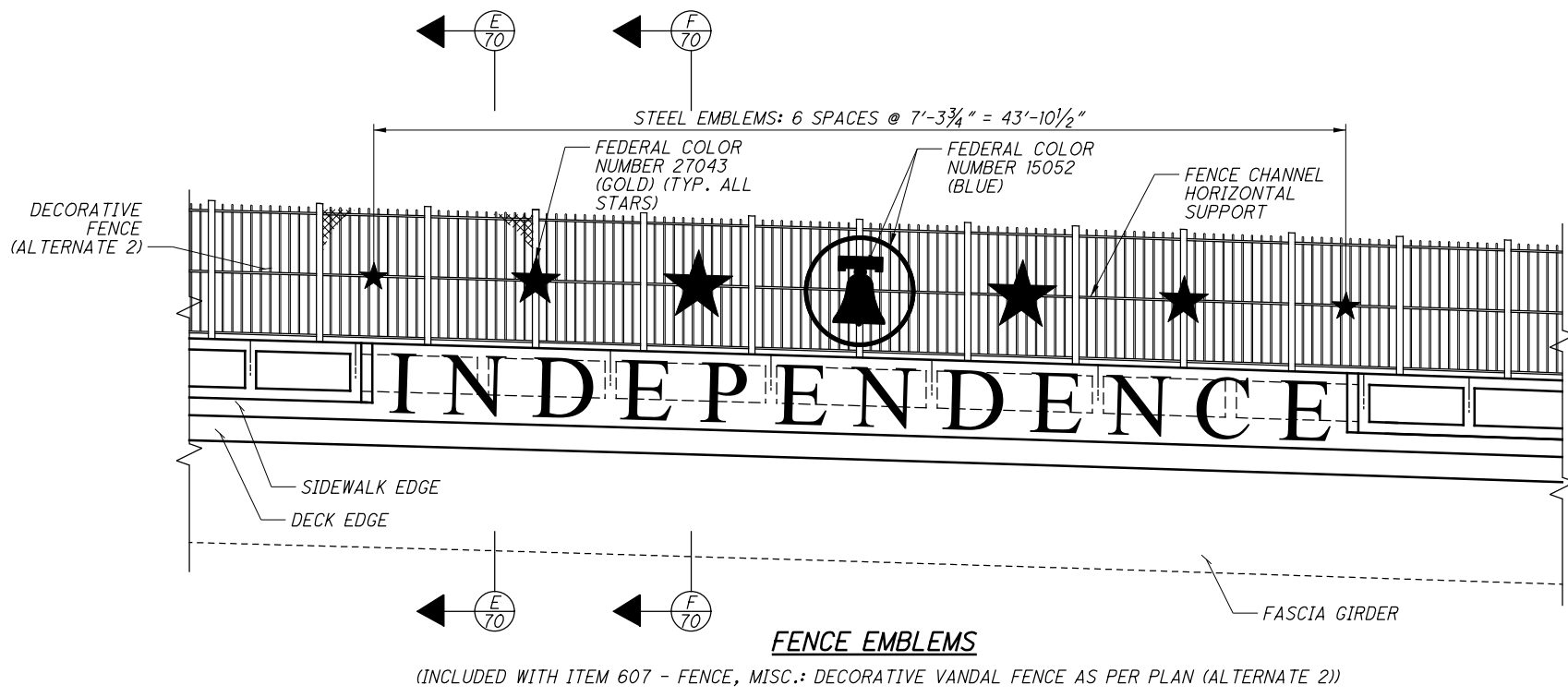
P:\000T\20170709_000 District 12 - CUY-021-09.09\CUY\04000\Design\Roadway\Sheets\04000_GG003.dgn Sheet 10/19/2021 8:45:44 AM ewelman

SHEET NUM.								PART.						ITEM	ITEM EXT	GRAND TOTAL	UNIT	DESCRIPTION	SEE SHEET NO.
OFFICE CALCS	3 & 4	5 & 6	21	25	26	27	31	01/BRO/BR	02/NFP/BR	03/NFP/BR	04/NFP/BR	05/NFP/BR	06/NFP/BR						
					6			6						626	00102	6	EACH	BARRIER REFLECTOR, TYPE 1 (ONE-WAY)	
					7			7						626	00110	7	EACH	BARRIER REFLECTOR, TYPE 2 (ONE-WAY)	
								0.55	0.55					644	00204	0.55	MILE	LANE LINE, 6"	
								0.2	0.2					644	00300	0.2	MILE	CENTER LINE	
								45	45					644	00500	45	FT	STOP LINE	
								93	93					644	00620	93	FT	CROSSWALK LINE, 12"	
								0.18	0.18					646	10110	0.18	MILE	LANE LINE, 6"	
								0.09	0.09					646	10200	0.09	MILE	CENTER LINE	
								4	4					646	20650	4	EACH	SHARED LANE MARKING	
																		STRUCTURE OVER 20 FOOT SPAN (CUY-021-0909 - SFN 1813234)	43
																		MAINTENANCE OF TRAFFIC	
		40						40						614	11110	40	hour	LAW ENFORCEMENT OFFICER WITH PATROL CAR FOR ASSISTANCE	6
			2					2						614	12380	2	EACH	WORK ZONE IMPACT ATTENUATOR, 24" WIDE HAZARDS, (UNIDIRECTIONAL)	5
			4					4						614	12384	4	EACH	WORK ZONE IMPACT ATTENUATOR, 24" WIDE HAZARDS, (BIDIRECTIONAL)	5
		5						5						614	12500	5	EACH	REPLACEMENT SIGN	5
			16					16						614	13310	16	EACH	BARRIER REFLECTOR, TYPE 1 (ONE-WAY)	
			27					27						614	13310	27	EACH	BARRIER REFLECTOR, TYPE 1 (BIDIRECTIONAL)	
			14					14						614	13350	14	EACH	OBJECT MARKER, ONE WAY	
			24					24						614	13360	24	EACH	OBJECT MARKER, TWO WAY	
			0.12					0.12						614	20200	0.12	MILE	WORK ZONE LANE LINE, CLASS I, 4", 740.06, TYPE I	
			0.44					0.44						614	21200	0.44	MILE	WORK ZONE CENTER LINE, CLASS I, 740.06, TYPE I	
			0.86					0.86						614	22200	0.86	MILE	WORK ZONE EDGE LINE, CLASS I, 4", 740.06, TYPE I	
			44					44						614	26400	44	FT	WORK ZONE STOP LINE, CLASS I, 740.06, TYPE I	
			46					46						614	27080	46	FT	WORK ZONE CROSSWALK LINE, CLASS I, 24", 740.06, TYPE I	
			970					970						622	41100	970	FT	PORTABLE BARRIER, UNANCHORED	
			860					860						622	41111	860	FT	PORTABLE BARRIER, ANCHORED, AS PER PLAN	5
																		INCIDENTALS	
		LS						LS						614	11000	LS		MAINTAINING TRAFFIC	5
								LS						623	10001	LS		CONSTRUCTION LAYOUT STAKES AND SURVEYING, AS PER PLAN	4
								LS						624	10000	LS		MOBILIZATION	

GENERAL SUMMARY

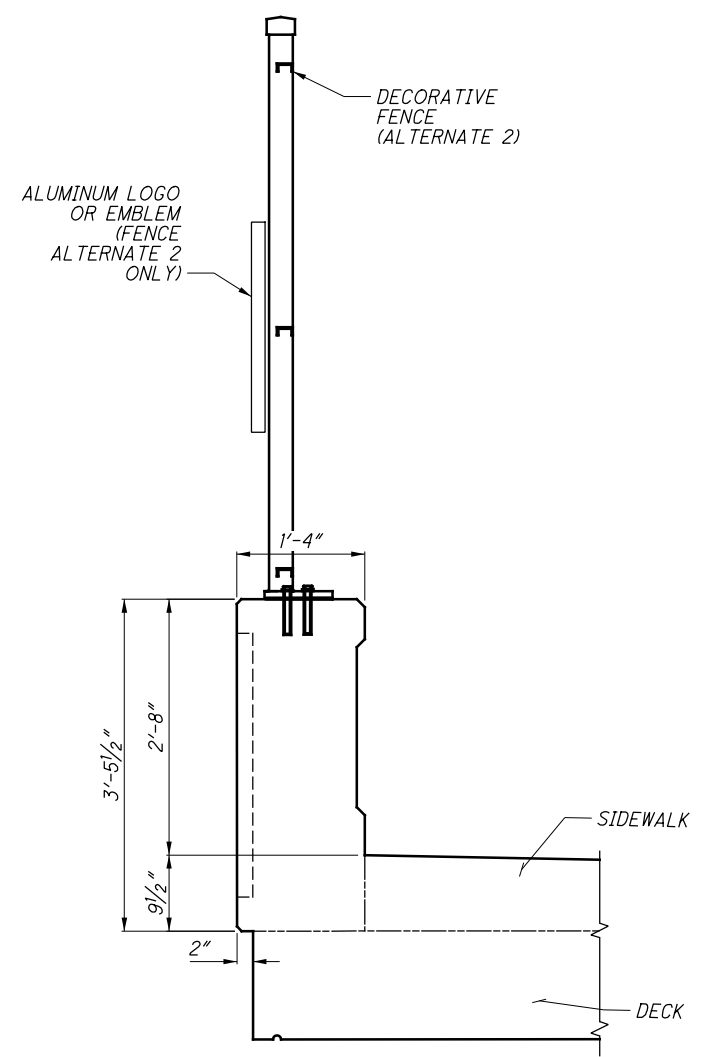
CUY - 021 - 09 . 09

P:\000T\20170709_000 District 12 - CUY-021-09\09\Design\104000\Design\Structures\CUY021-0909C_Sheets\02L0909C_SMO01.dgn Sheet4 10/13/2021 8:46:29 AM ewelman

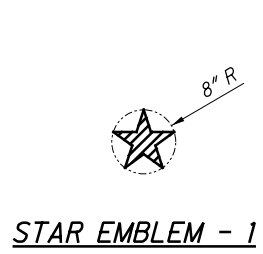


NOTES

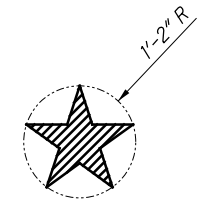
1. FENCE ALTERNATE 2 IS SHOWN IN ALL DETAILS ON THIS SHEET. FENCE ALTERNATE 2 INCLUDES LOGOS AND EMBLEMS AND IS PAID WITH ITEM 607 - FENCE, MISC.: DECORATIVE VANDAL PROTECTION FENCE, AS PER PLAN (ALTERNATE 2). FENCE ALTERNATE 1 INCLUDES THE STANDARD 6' STRAIGHT VANDAL PROTECTION FENCE PER VPF-1-90 WITHOUT LOGOS OR EMBLEMS PAID WITH ITEM 607 - VANDAL PROTECTION FENCE, 6' STRAIGHT, COATED FABRIC (ALTERNATE 1).
2. NO FIELD WELDING OR FIELD DRILLING OF HOLES WILL BE PERMITTED.
3. THE CITY OF INDEPENDENCE LOGO AND EMBLEMS SHALL BE ALUMINUM AND POWDER COATED PER THE GENERAL NOTES.
4. ALL LOGOS, EMBLEMS, AND SPACERS AND ATTACHMENTS FOR LOGO AND EMBLEMS TO BE INCLUDED WITH ITEM 607 - FENCE MISC.: DECORATIVE VANDAL PROTECTION FENCE AS PER PLAN (ALTERNATE 2) FOR PAYMENT.
5. SEE SHEET 34/40 FOR FENCE PANEL DETAILS.
6. THE EMBLEMS AND LOGOS SHALL BE FURNISHED BY THE FENCE FABRICATOR OR A FABRICATOR APPROVED BY THE ENGINEER.
7. EMBLEMS SHALL BE SUFFICIENTLY BOLTED AT MULTIPLE LOCATIONS TO RESIST DEFORMATION DUE TO WIND LOADS.



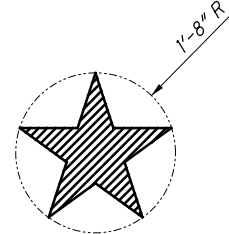
E 70 STD. PARAPET SECTION



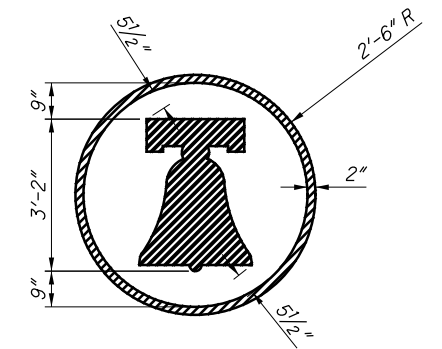
STAR EMBLEM - 1



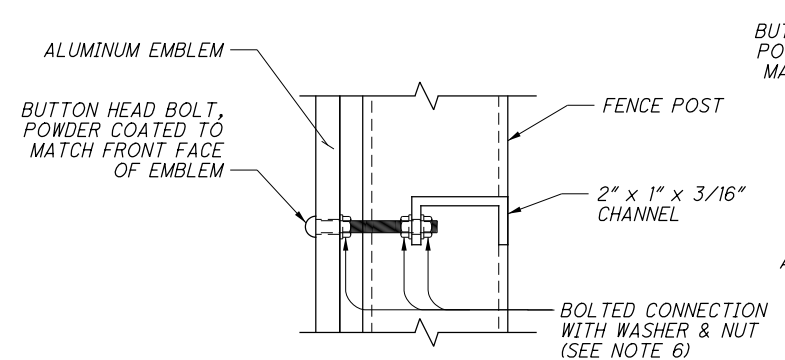
STAR EMBLEM - 2



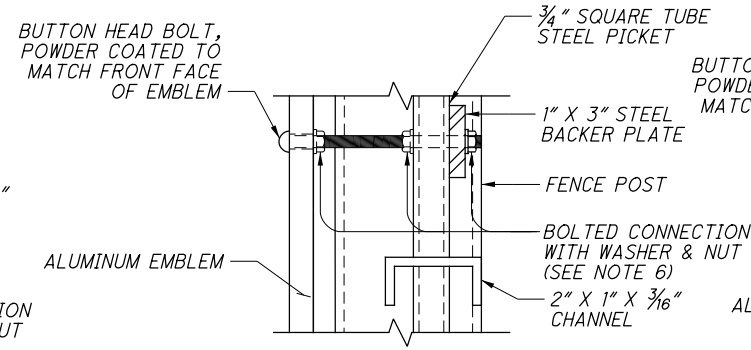
STAR EMBLEM - 3



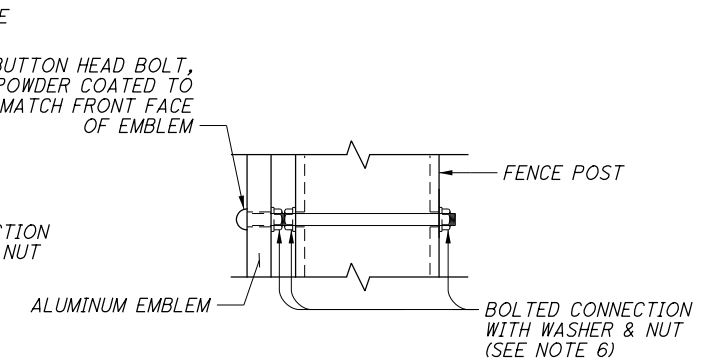
CITY OF INDEPENDENCE LOGO



F 70 EMBLEM-TO-CHANNEL CONNECTION



F 70 EMBLEM-TO-PICKET CONNECTION



E 70 EMBLEM-TO-POST CONNECTION

DESIGNED	MJD	CHECKED	PJW
DRAWN	MJD	REVISED	-
REVIEWED	SMK	STRUCTURE FILE NUMBER	1813234
DATE	10/28/19	DESIGN AGENCY	OSBORN ENGINEERING CLEVELAND, OHIO
DECORATIVE FENCE (ALTERNATE 2) DETAILS - 1			
BRIDGE NO. CUY-021-0909			
S.R. 21 (BRECKSVILLE ROAD) OVER I-480			
CUY-021-09.09			
PID No. 104000			
33/40			
70			
77			