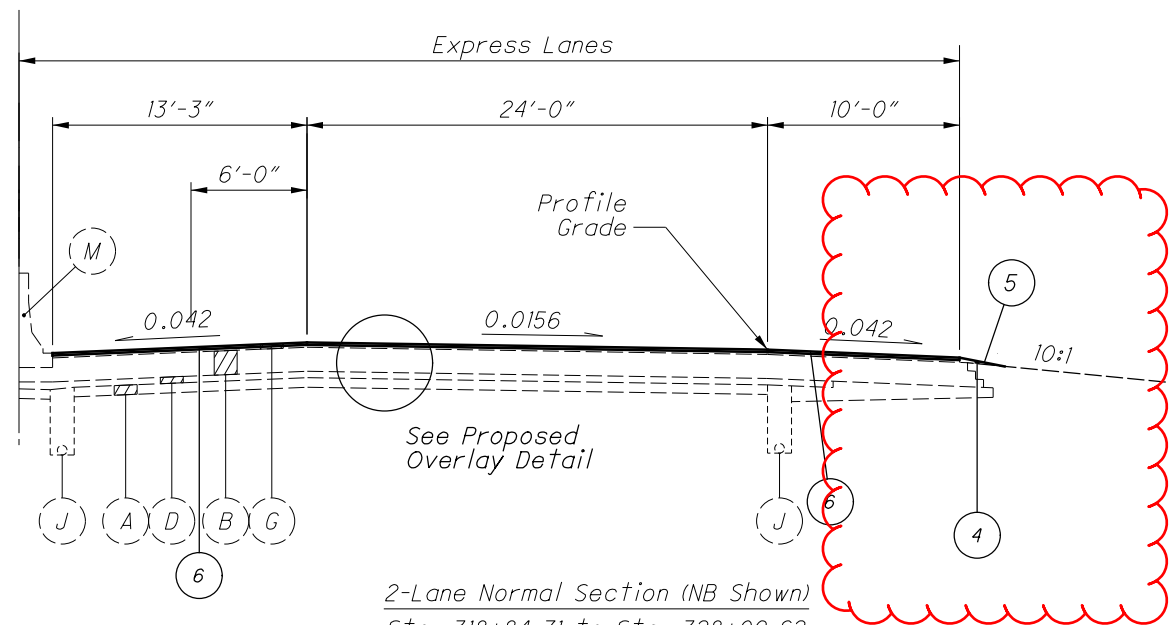
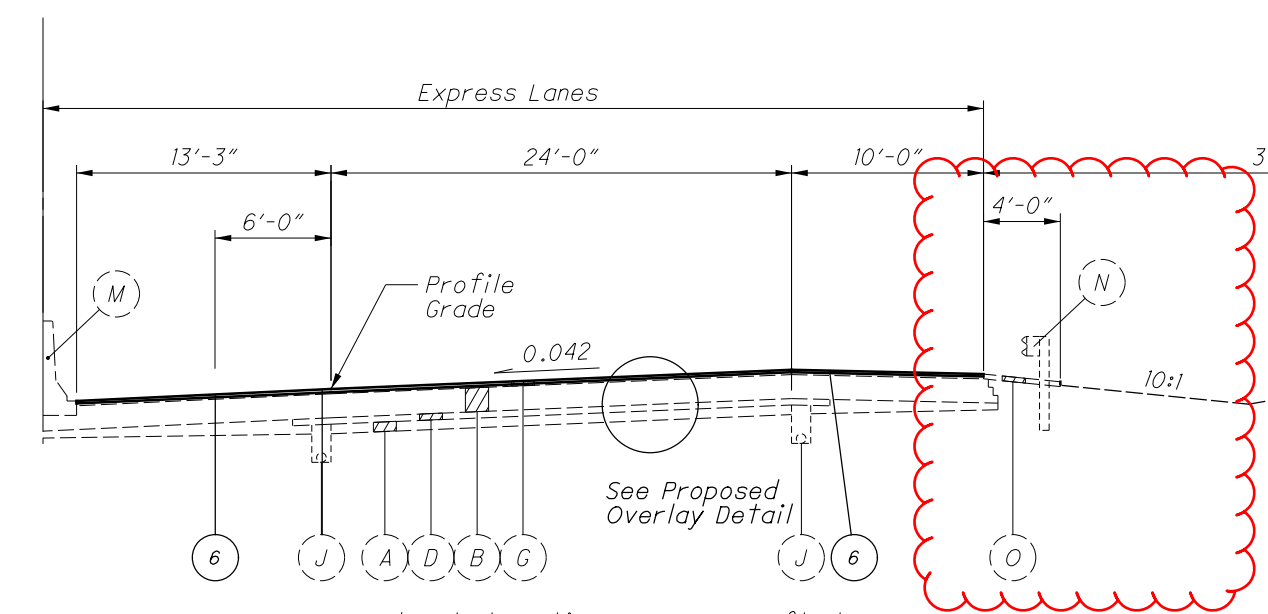


CONSTRUCTION IR-271



2-Lane Normal Section (NB Shown)
 Sta. 318+84.71 to Sta. 328+09.62
 Sta. 366+36.79 to Sta. 518+22.65
 Sta. 547+93.25 to Sta. 610+37.36
 Sta. 624+85.90 to Sta. 673+77.67
 Sta. 359+00.37 to Sta. 420+30.09

CONSTRUCTION IR-271

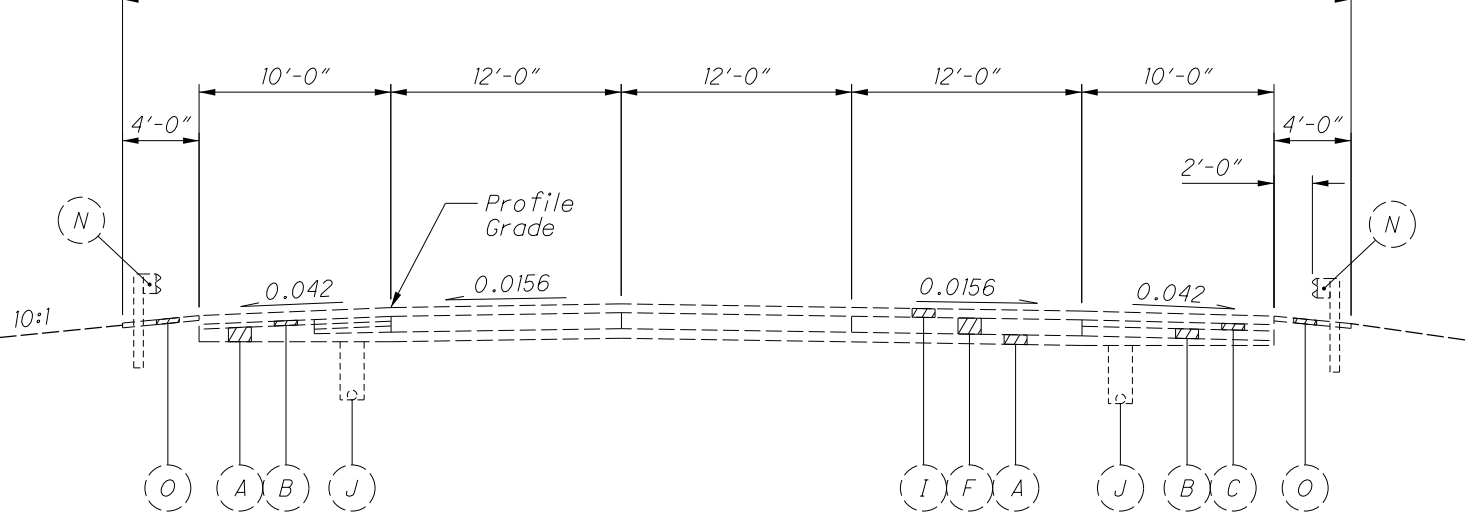


2-Lane Superelevated Section (NB, Curve Left Shown)
 Sta. 359+00.37 to Sta. 420+30.09 (Curve Right)
 Sta. 545+81.86 to Sta. 609+77.17 BK= (Curve Right)
 Sta. 605+95.91 AH to Sta. 608+70.91 (Curve Right)
 Sta. 673+77.67 to Sta. 733+15.55 (Curve Left)

Existing Legend

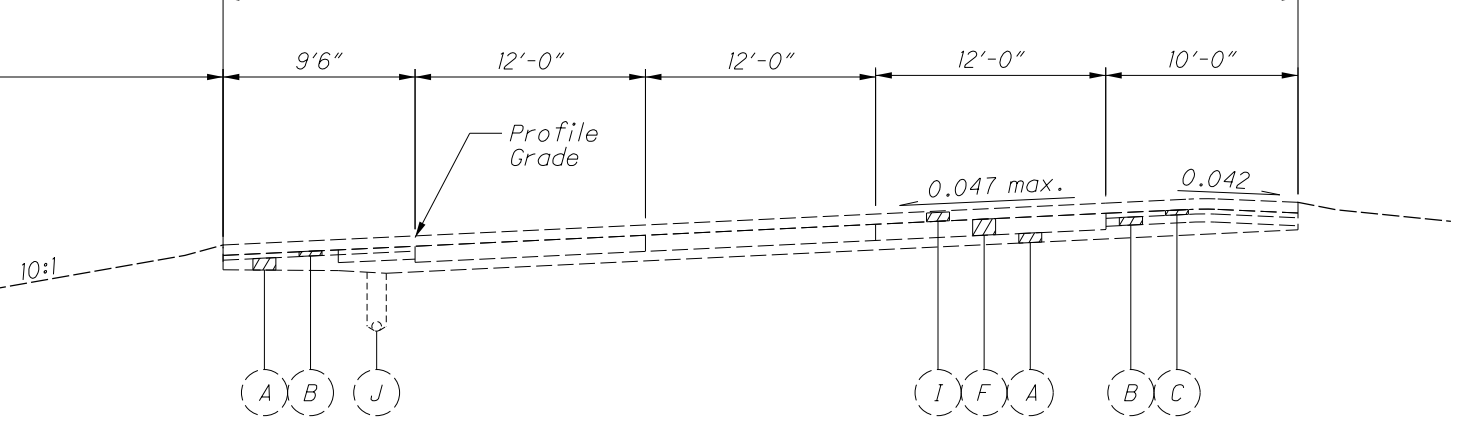
- | | |
|--------------------------------------|---|
| (A) Subbase | (I) 5-1/2"± Asphalt Overlay |
| (B) Bituminous Aggregate Base | (J) Underdrain |
| (C) Waterproof Aggregate Base | (K) Trench Drain (Concrete Encased, Do Not Disturb) |
| (D) Free Draining Base | (M) Concrete Barrier |
| (F) 10" Reinforced Concrete Pavement | (N) Guardrail |
| (G) 3"± Asphalt Overlay | (O) Asphalt Under Guardrail |
| (H) 4-1/4"± Asphalt Overlay | |

Local Lanes - No Work



3-Lane Normal Section (NB Shown) - NO WORK

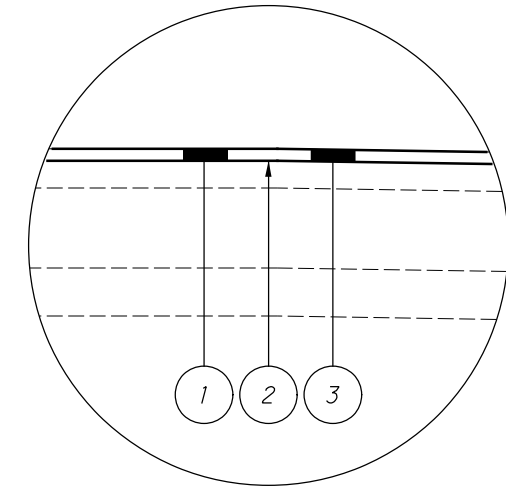
Local Lanes - No Work



3-Lane Superelevated Section (NB, Curve Left Shown) - NO WORK

Proposed Legend

- | |
|---|
| (1) Item 254 - Pavement Planing, Asphalt Concrete, As Per Plan 1.5" |
| (2) Item 407 - Non-tracking Tack Coat |
| (3) Item 442 - Asphalt Concrete Surface Course, 12.5MM, Type A (447), As Per Plan, PG76-22M, 1.5" |
| (4) Item 209 - Linear Grading, As Per Plan |
| (5) Item 617 - Compacted Aggregate, As Per Plan |
| (6) Item 618 - Rumble Strips, Shoulder (Asphalt Concrete), As Per Plan |



Proposed Overlay Detail

Typical Section

CUY-271X-5.81

MODEL: Sheet PAPER: 17x11 (in.) DATE: 12/28/2021 TIME: 11:40:36 AM USER: jrb/rfg1 p:\v\hobbs\pww\hobbs\pww-102\Documents\01 Active Projects\Distrid 12\Oyaha\99540\40-Engineering\Roadway\Sheets\99540_GY001.dgn

| | |
|---------------|--------------|
| DESIGN AGENCY | |
| DESIGNER | JDA |
| REVIEWER | EJK 10/01/21 |
| PROJECT ID | 99540 |
| SHEET | TOTAL |
| 6 | 38 |