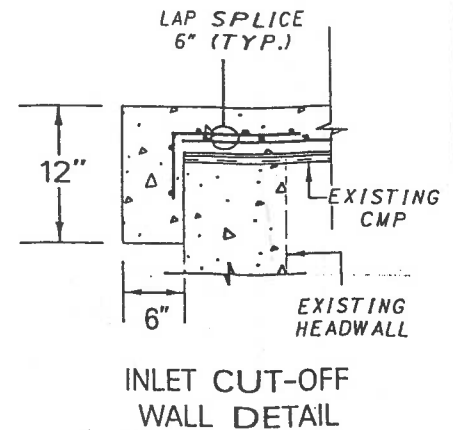
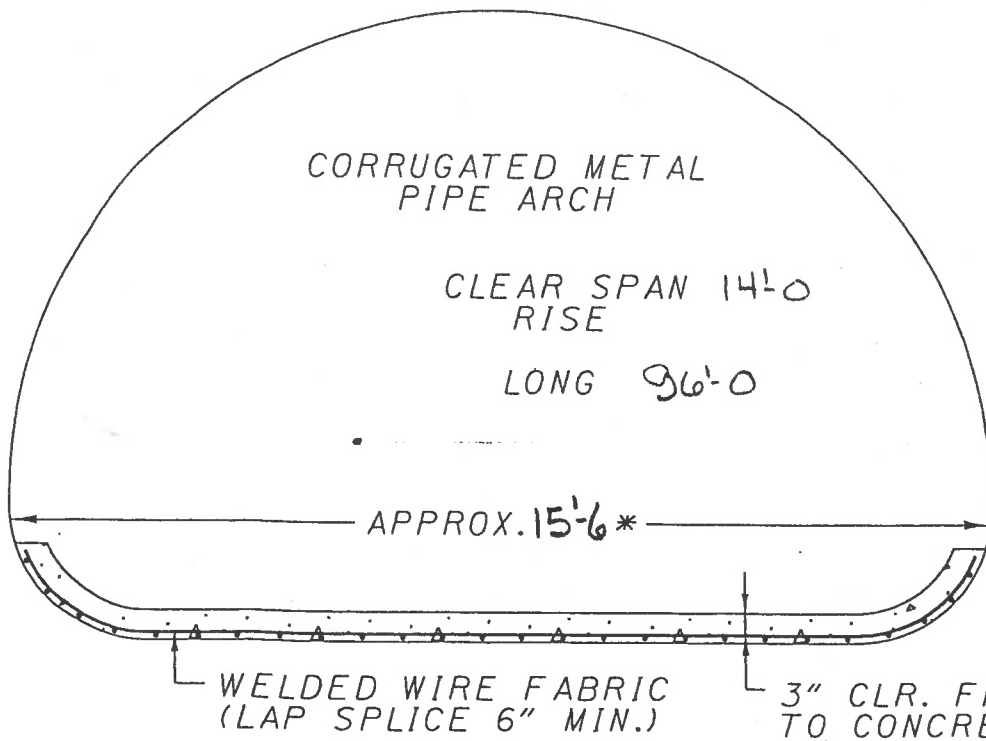


ASD 250 - 20.44

SFN: 0305103

2/2
2-18-00



AREA TO BE PAVED SHALL BE CLEANED TO REMOVE ALL DEBRIS AND SEDIMENT.

PAVE PIPE WITH CLASS C PORTLAND CEMENT CONCRETE REINFORCED WITH 2x2-12x12 GALVANIZED WELDED WIRE FABRIC OR COMPARABLE. THE WIRE FABRIC MESH SHALL HAVE A WIDTH OF 4 INCHES LESS THAN THE FINISHED PAVING AND SHALL BE SECURELY FASTENED (TACK WELD) TO THE CONDUIT NEAR EACH EDGE AND AT THE CENTER OF THE MESH AT POINTS NOT MORE THAN 4 FEET APART ALONG THE FLOWLINE OF THE PIPE.

THE CONCRETE PAVING SHALL BE 3 INCHES THICK MEASURED FROM THE TOP OF THE CORRUGATIONS OF THE CONDUIT AND OVER THE TOP OF WELDED WIRE FABRIC.

*CONCRETE INVERT SHOULD RISE TO 3" ABOVE THE EXISTING RUST LINE INSIDE PIPE.

ESTIMATED QUANTITIES:

- (22) CU. YD. CLASS C CONCRETE
- (2) (5' x 150') ROLL - APPROXIMATELY