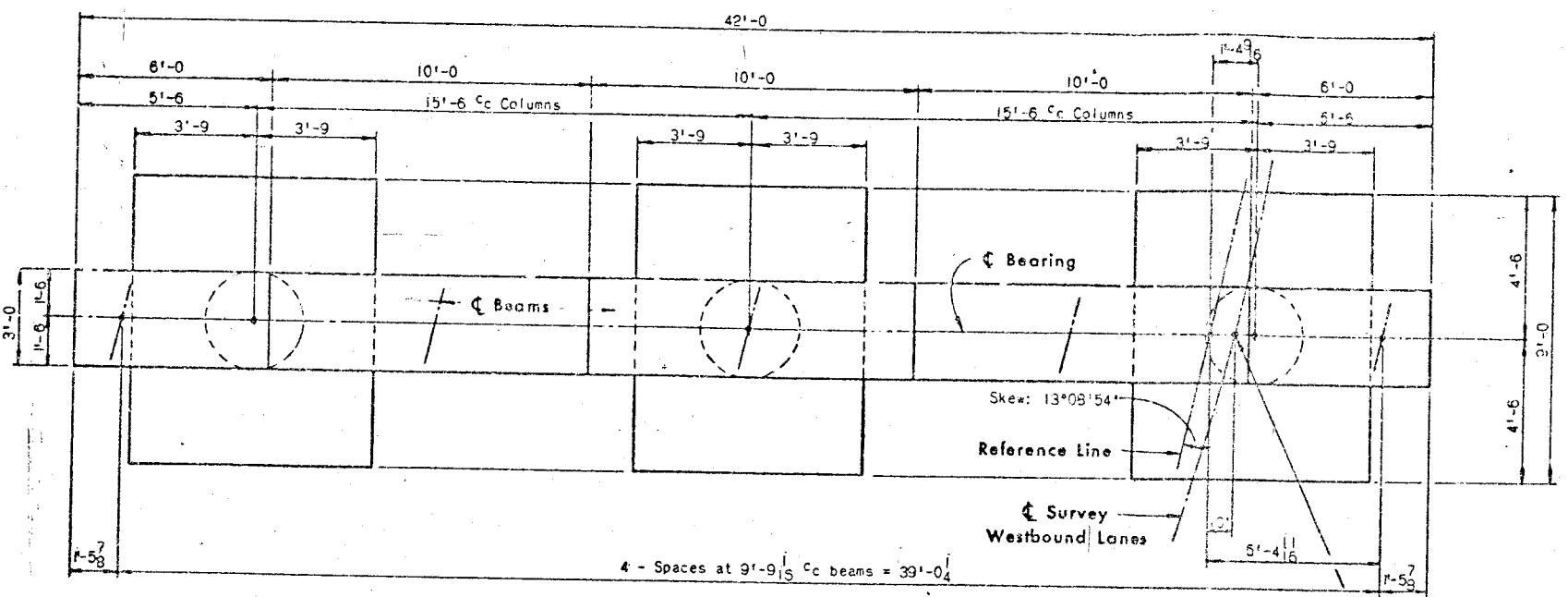
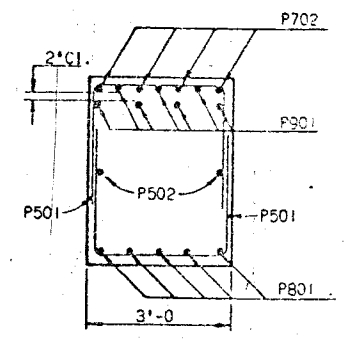
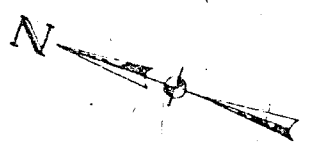


FED. RD. DIVISION	STATE	PROJECT
2	OHIO	

STA-30-12.47

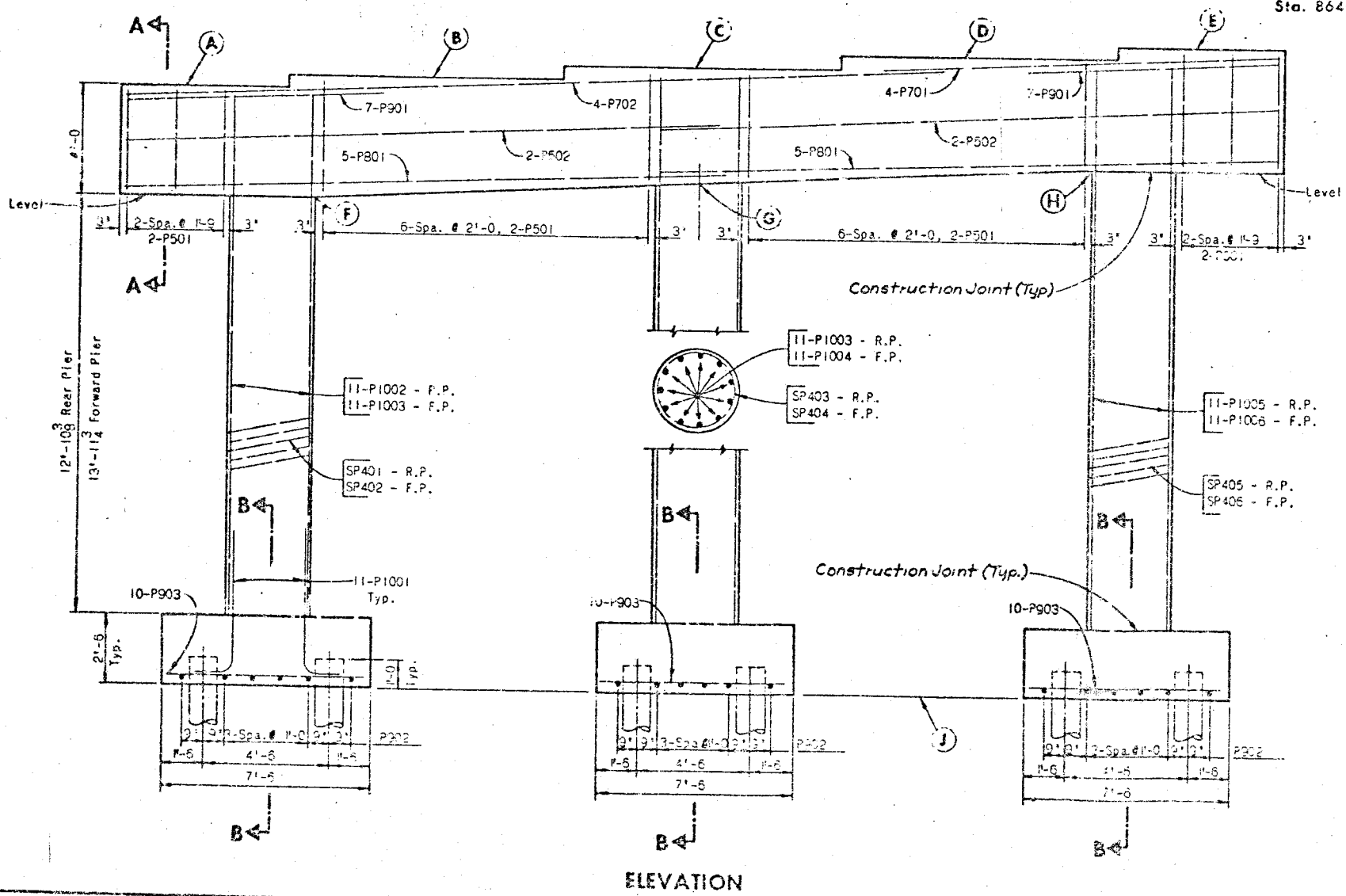


PLAN

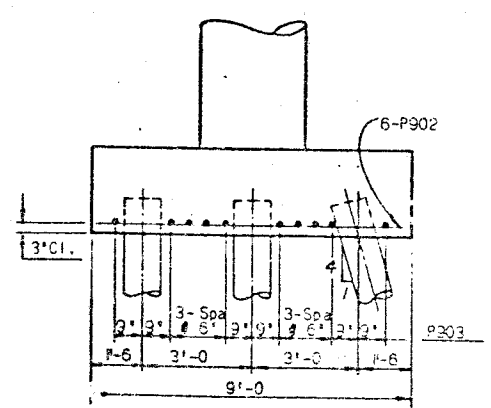


SECTION A-A

ELEVATIONS		
PT.	R. PIER	F. PIER
A	1097.74	1099.66
B	1098.20	1099.31
C	1098.68	1099.79
D	1099.16	1100.27
E	1099.64	1100.75
F	1093.74	1034.66
G	1094.45	1035.57
H	1095.16	1036.27
J	1073.38	1073.35



ELEVATION



SECTION B-B

Section B-B typical for Rear Pier. Forward Pier identical, except opposite hand.

BEARING ANCHORS: At the option of the contractor, bearing anchors (or to be located and supported) may be cast in place.

W. E. QUICKSALL AND ASSOC.  
CONSULTING ENGINEERS • NEW P.

**PIER DETAIL**  
BRIDGE NO. STA-30  
U.S.R. 30 over RELOCATED G.

STARK COUNTY

DESIGNED	CHK'D	INCHG'D	DATE
wda	wda	cc	2/24