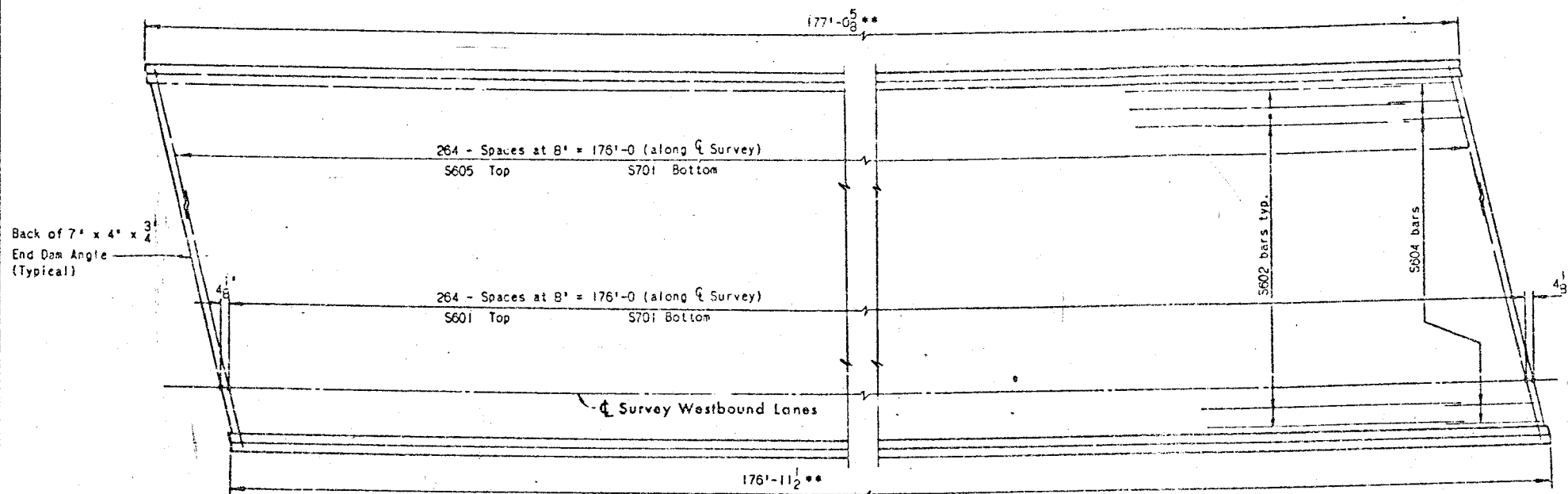


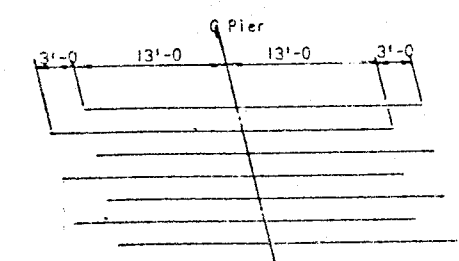
FED. RD. DIVISION	STATE	PROJECT
2	OHIO	

STA-30-12.47

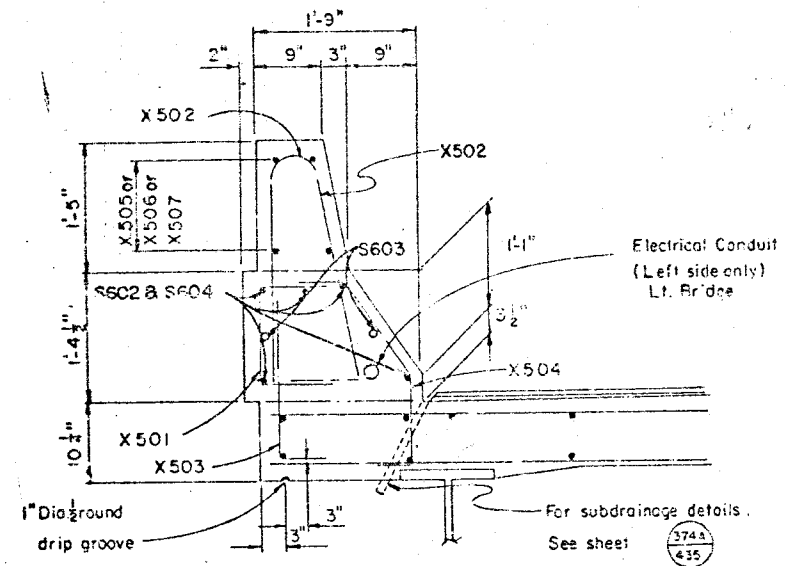
** Measured along inside face of parapet



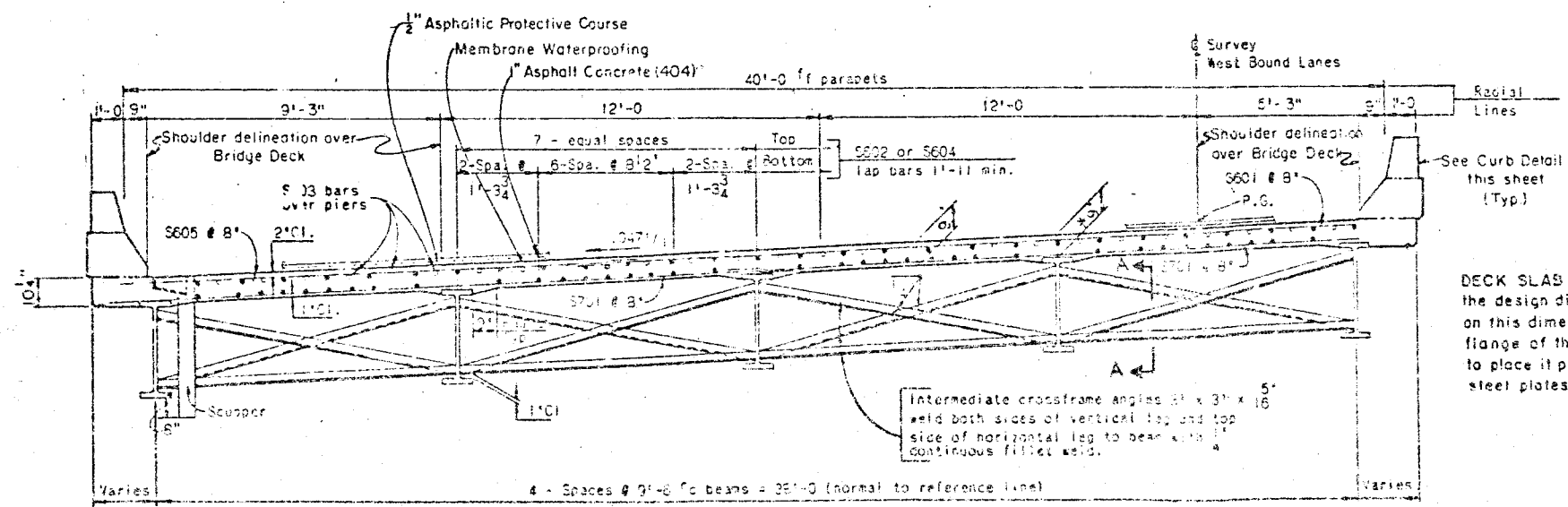
PLAN OF DECK REINFORCING STEEL



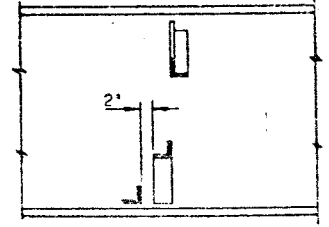
ALTERNATE STAGGER SYSTEM OF S603 BARS OVER PIERS



CURB DETAILS



TRANSVERSE SECTION



SECTION A-A

A HAUNCH WIDTH of 9" shall be used for computing quantity of concrete. However, the haunch width may vary between 6" and 12" (provided that the slope shall be not more than 1:4 for a haunch less than 9" in width.)

DECK SLAB DEPTH: The distance shown from top of deck slab to top of steel beam is the design dimension. The quantity of deck concrete to be paid for shall be based on this dimension, even though deviation from it may be necessary because the top flange of the beam may not have the exact camber or conformation required to place it parallel to the finished grade. Deduction shall be made for volume of encased steel plates as per 511.19

For additional details and notes, see sheet 11 and 23.

W.E.Q. SHEET
 W. E. QUICKSALL AND ASSC
 CONSULTING ENGINEERS - NEW
 SUPERSTRUCTURE
 BRIDGE NO. STA-3
 U.S.R. 30 over RELOCATED G
 STARK COUNTY
 DESIGNED BY: [] DRAWN BY: [] CHECKED BY: [] DATE: []