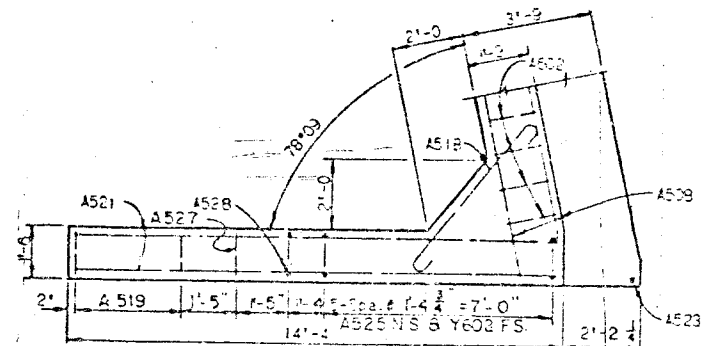
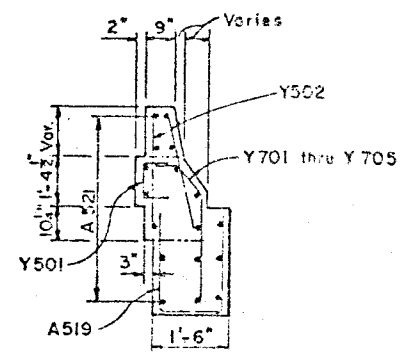


PROJECT NO.	STATE	PROJECT
2	OHIO	

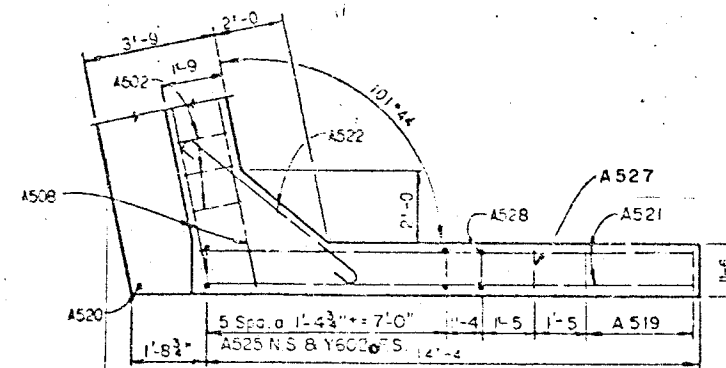
STA-30-12.47



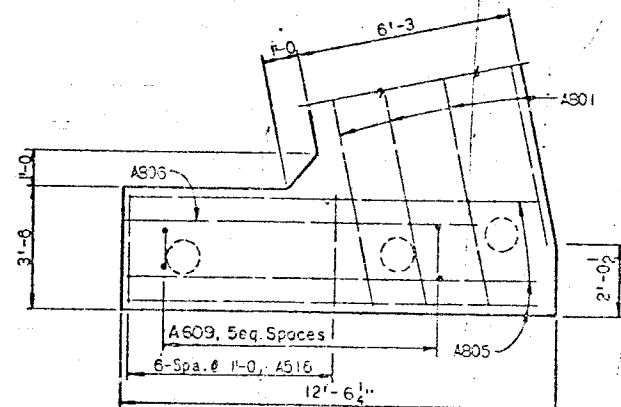
SECTION J-J



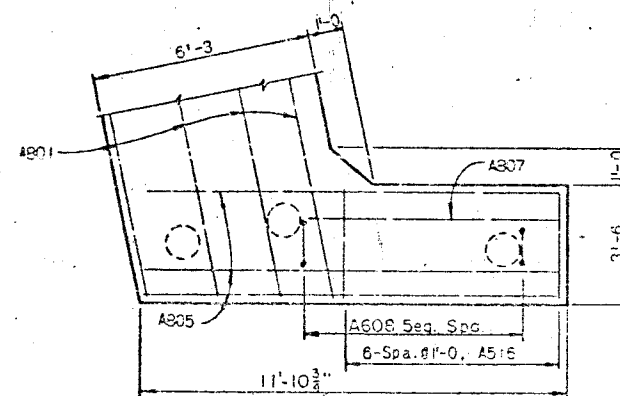
SECTION L-L



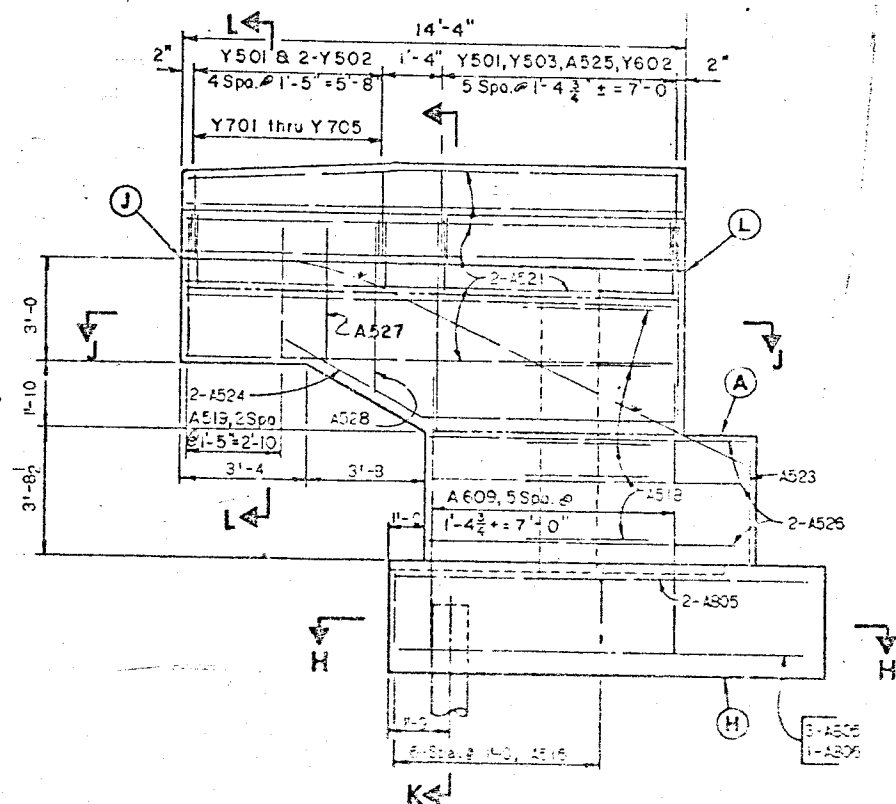
SECTION N-N



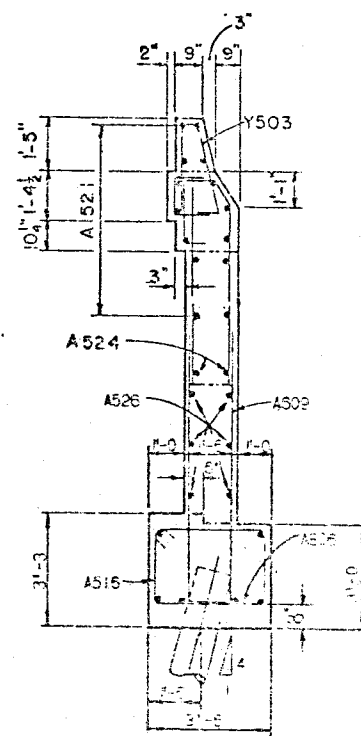
SECTION H-H



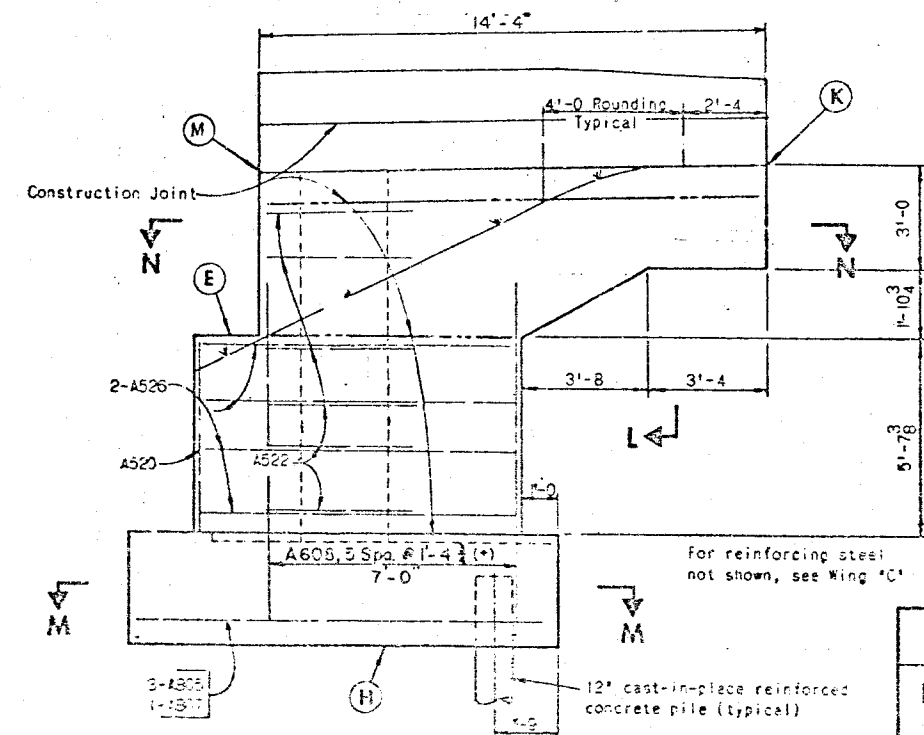
SECTION M-M



ELEVATION - WING C



SECTION K-K



ELEVATION - WING D

ELEVATION	ELEVATION
A	1100.
E	1102.
L	1104.
M	1105.
H	1093.
J	1105.
K	1107.

For reinforcing steel not shown, see Wing 'C'

For additional details see Sheet B.

W.E. SHEE
W. E. QUICKSALL AND ASSOCIATES
CONSULTING ENGINEERS • NEW

FORWARD ABUTMENT
BRIDGE NO. STA-
U.S.R. 30 OVER RELOCATED

STARK COUNTY			
DESIGNED	DRAWN	CHECKED	DATE
WSE	WDR	SO	