

LEGEND

- EX-NO WORK
- EX-REMOVE
- EX-REPLACE
- NEW / ADD
- PROPOSED GUARDRAIL
- * YELLOW GREEN

FOR INTERCHANGE SIGNS
SEE SHEET 35

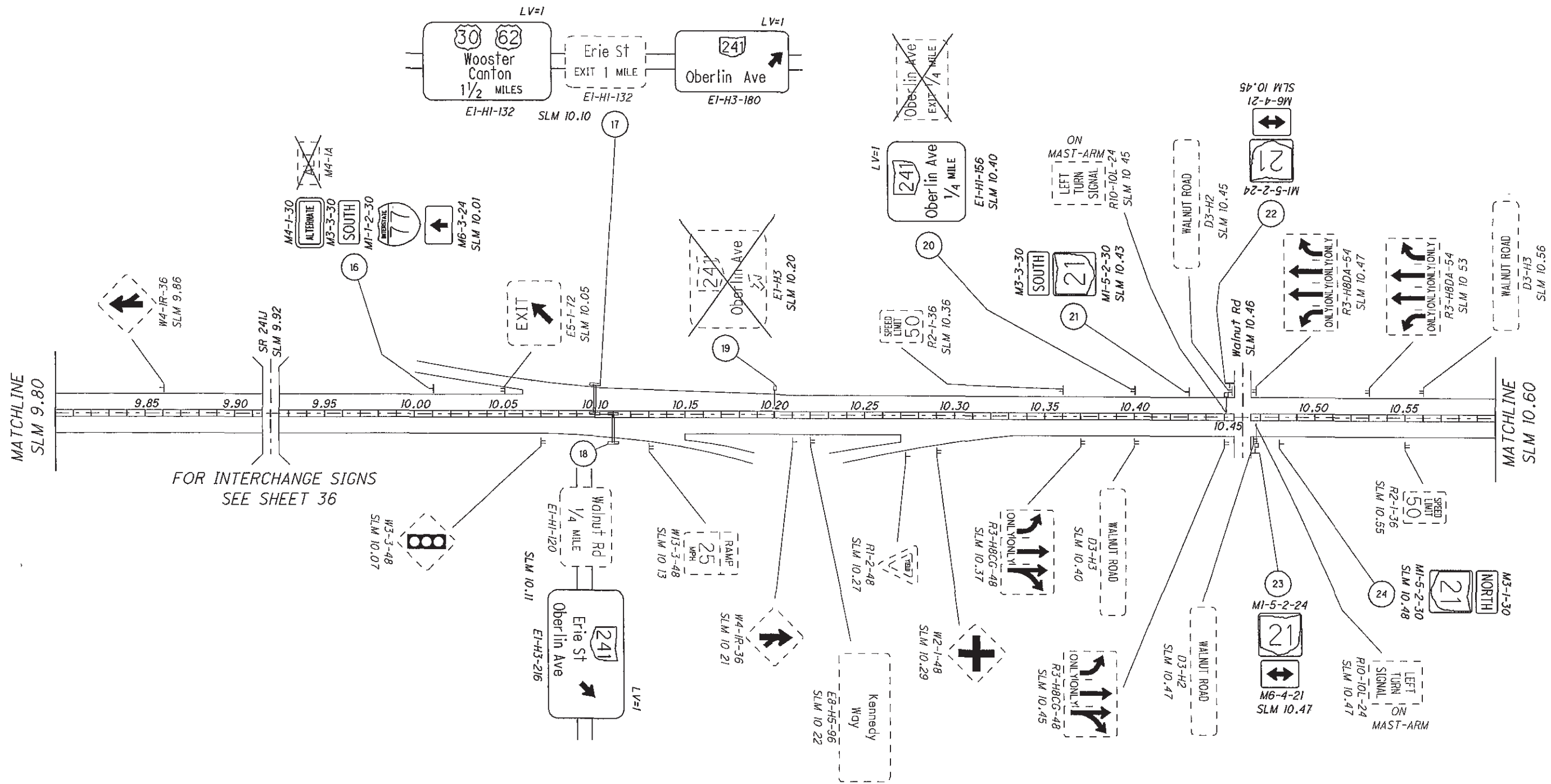
FOR INTERCHANGE
SIGNS
SEE SHEET 34

0 0.03 0.05 0.06
HORIZONTAL SCALE IN FEET

CALCULATED CX CHECKED KPW

SIGNING PLAN

STA-21-8.25



FOR INTERCHANGE SIGNS
SEE SHEET 36

LEGEND

- EX-NO WORK
- EX-REMOVE
- EX-REPLACE
- NEW / ADD
- PROPOSED GUARDRAIL
- * YELLOW GREEN

0 0.03 0.06 0.09
HORIZONTAL SCALE IN FEET

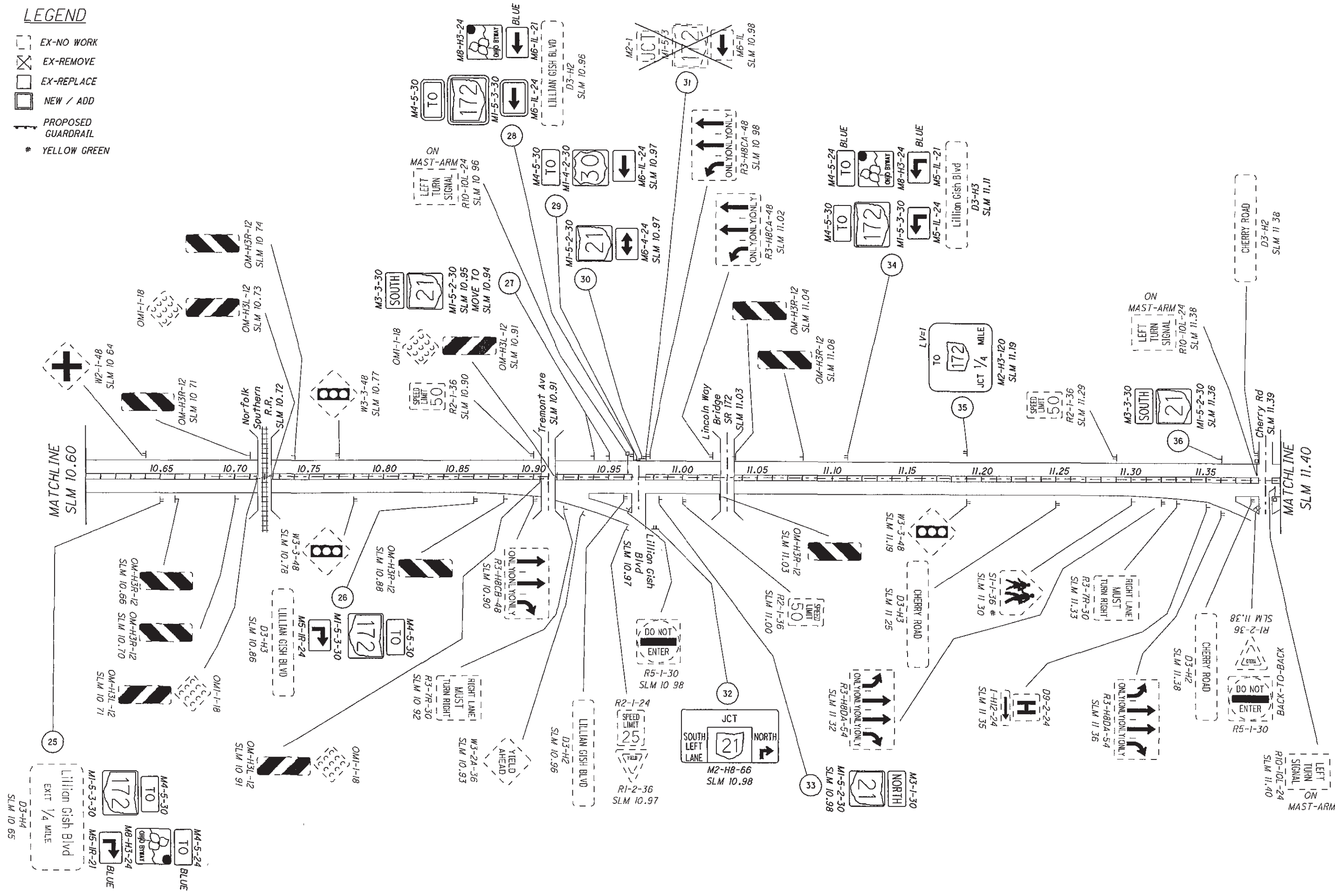
CALCULATED
CX
CREATED
KPW

SIGNING PLAN

STA-21-8.25

LEGEND

- EX-NO WORK
- EX-REMOVE
- EX-REPLACE
- NEW / ADD
- PROPOSED GUARDRAIL
- * YELLOW GREEN

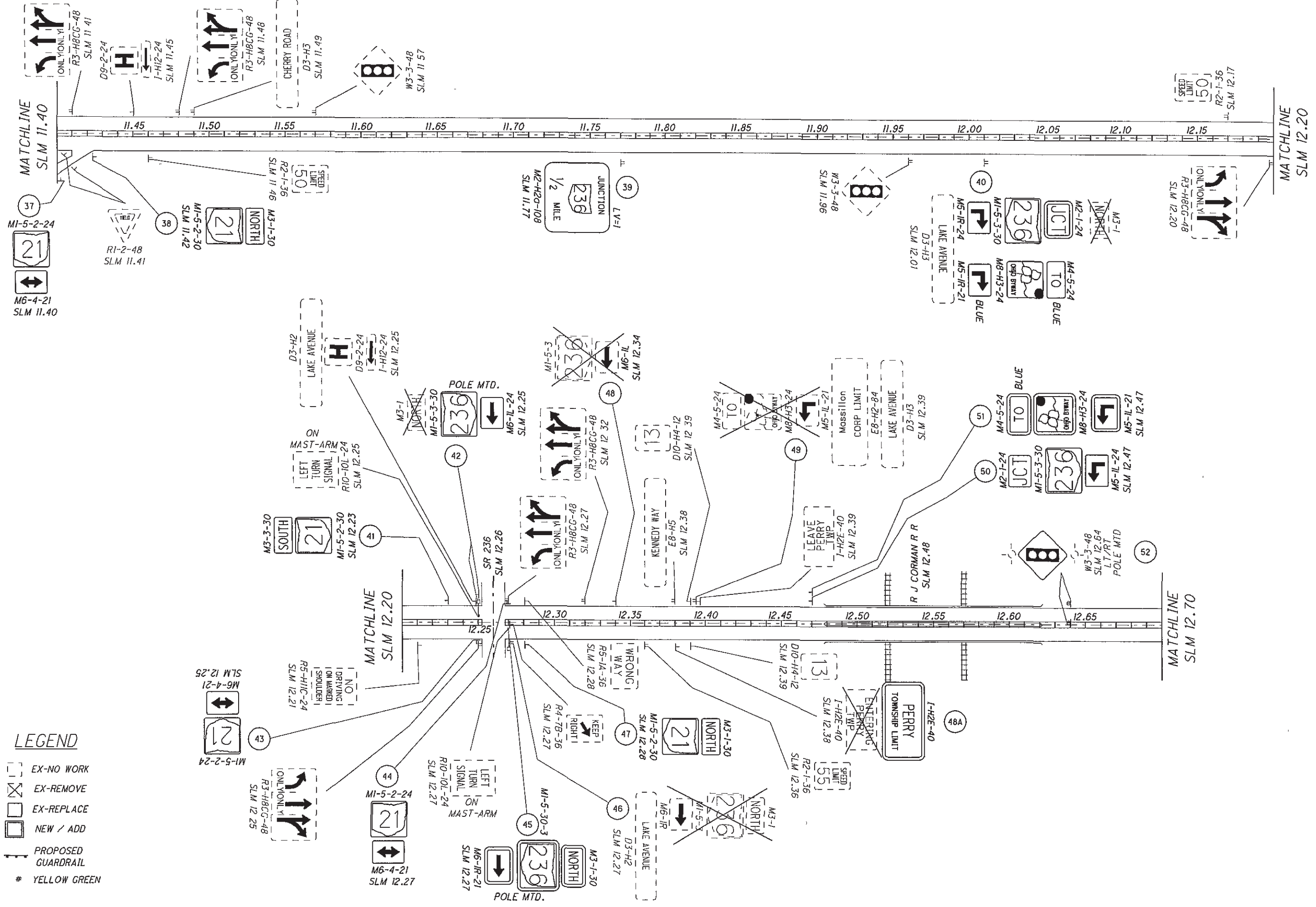


0 0.03 0.06 0.09
HORIZONTAL SCALE IN FEET

CALCULATED CX
CHECKED KPW

SIGNING PLAN

STA-21-8.25



- LEGEND**
- EX-NO WORK
 - EX-REMOVE
 - EX-REPLACE
 - NEW / ADD
 - PROPOSED GUARDRAIL
 - # YELLOW GREEN

0 0.03 0.06 0.09
 HORIZONTAL SCALE IN FEET

0 10 20 30 40 50
 SPEED LIMIT

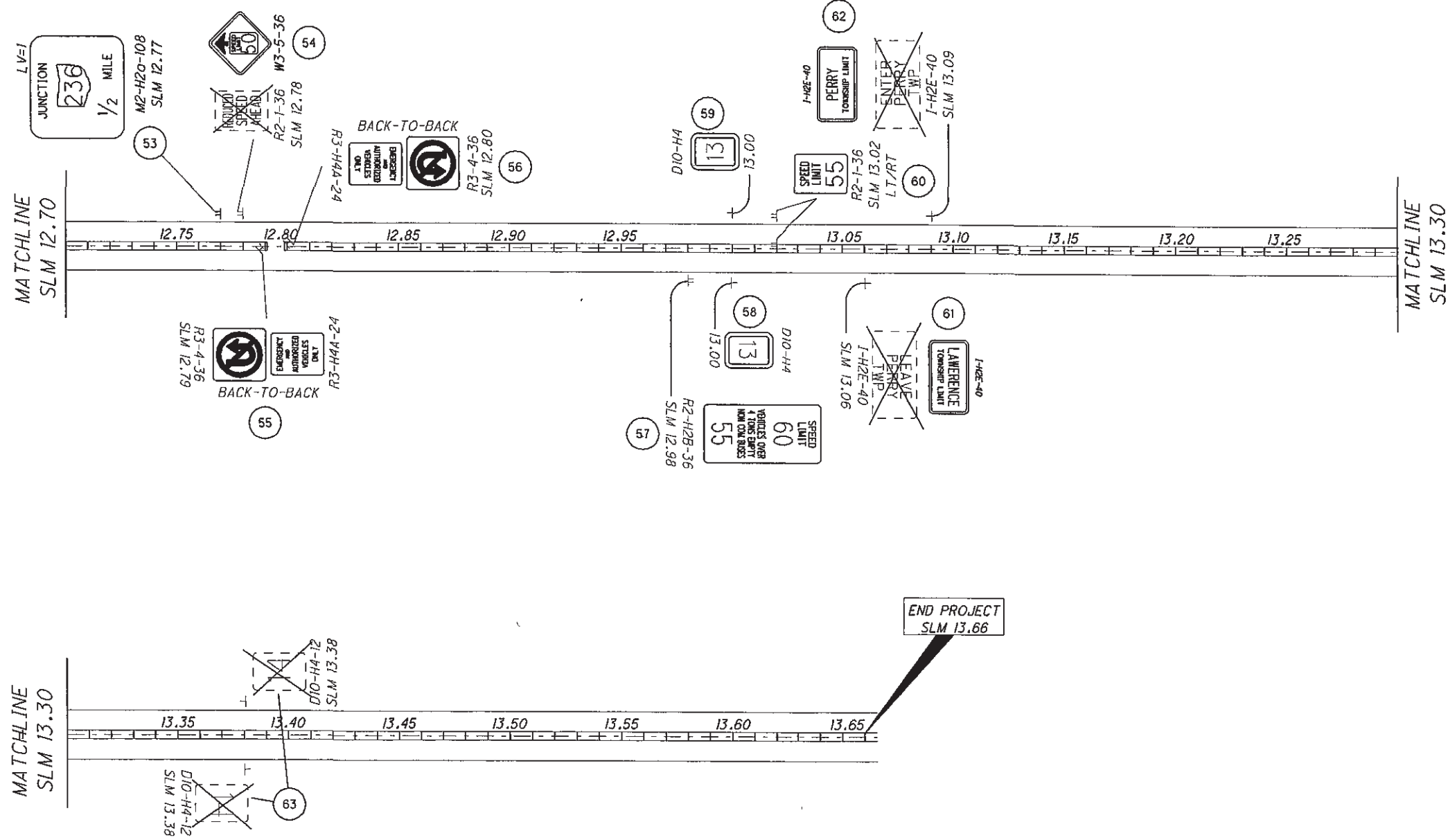
0 10 20 30 40 50
 HORIZONTAL SCALE IN FEET

0 10 20 30 40 50
 SPEED LIMIT

CALCULATED	CX	CHECKED	KPW
------------	----	---------	-----

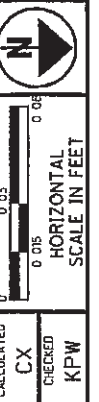
STA-21-8.25

32
40



LEGEND

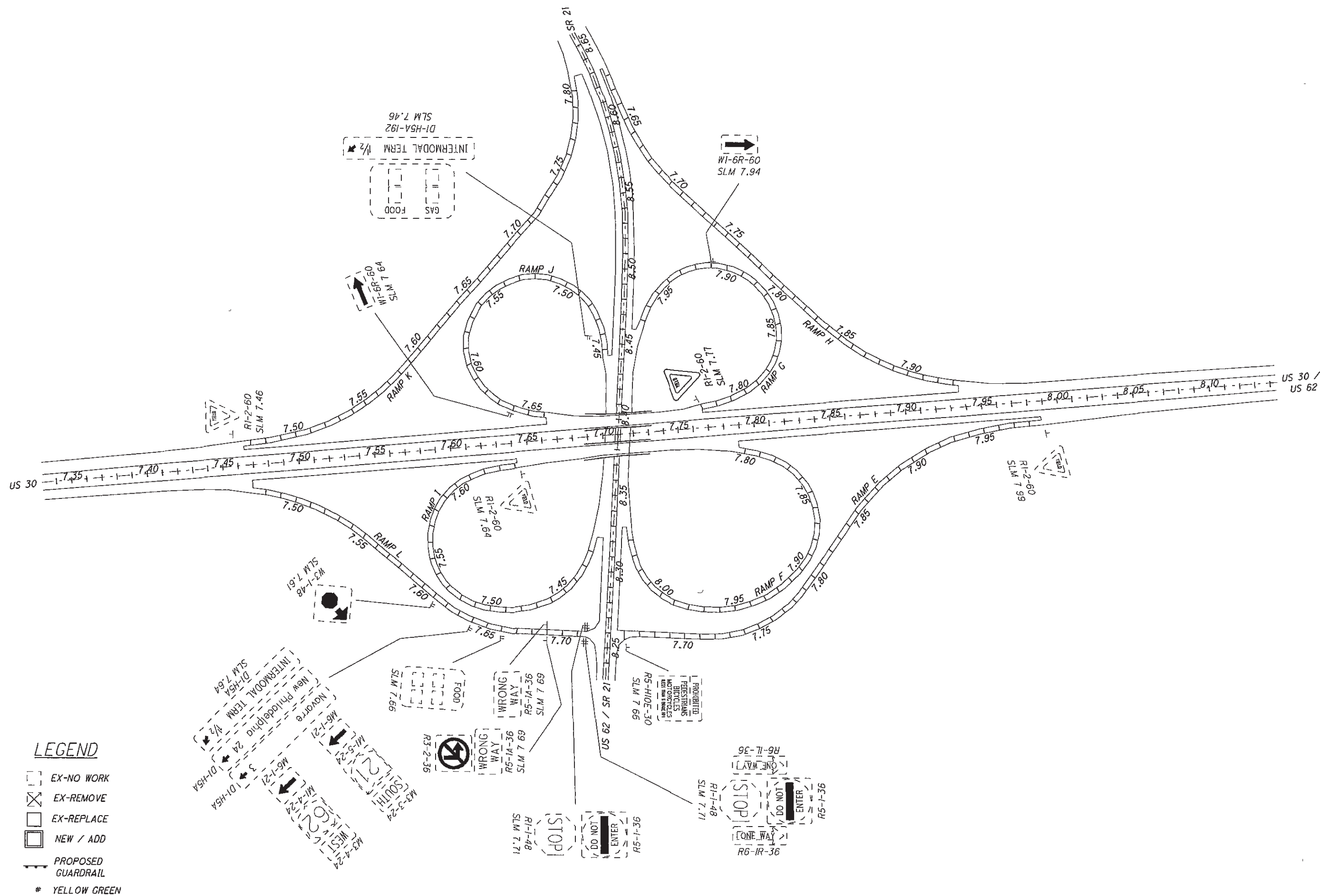
- EX-NO WORK
- EX-REMOVE
- EX-REPLACE
- NEW / ADD
- PROPOSED GUARDRAIL
- * YELLOW GREEN



CALCULATED
CX
CHECKED
KFW

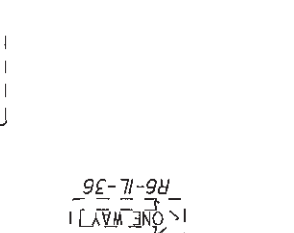
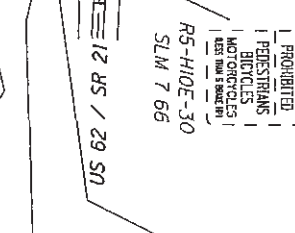
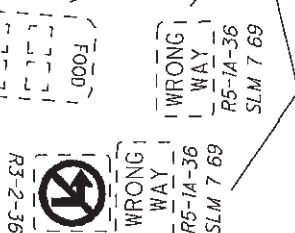
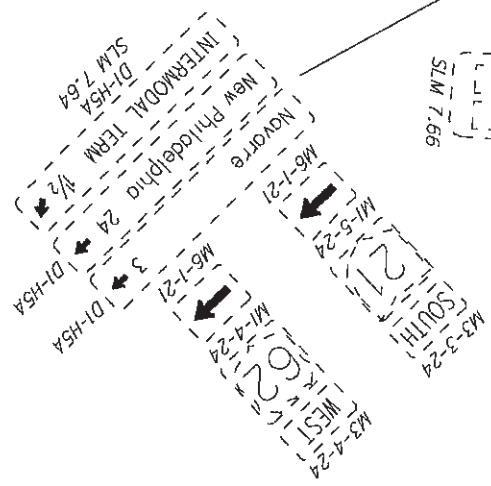
SIGNING PLAN

STA-21-8.25



LEGEND

- EX-NO WORK
- EX-REMOVE
- EX-REPLACE
- NEW / ADD
- PROPOSED GUARDRAIL
- * YELLOW GREEN



0 0.03 0.05 0.06
 HORIZONTAL SCALE IN FEET

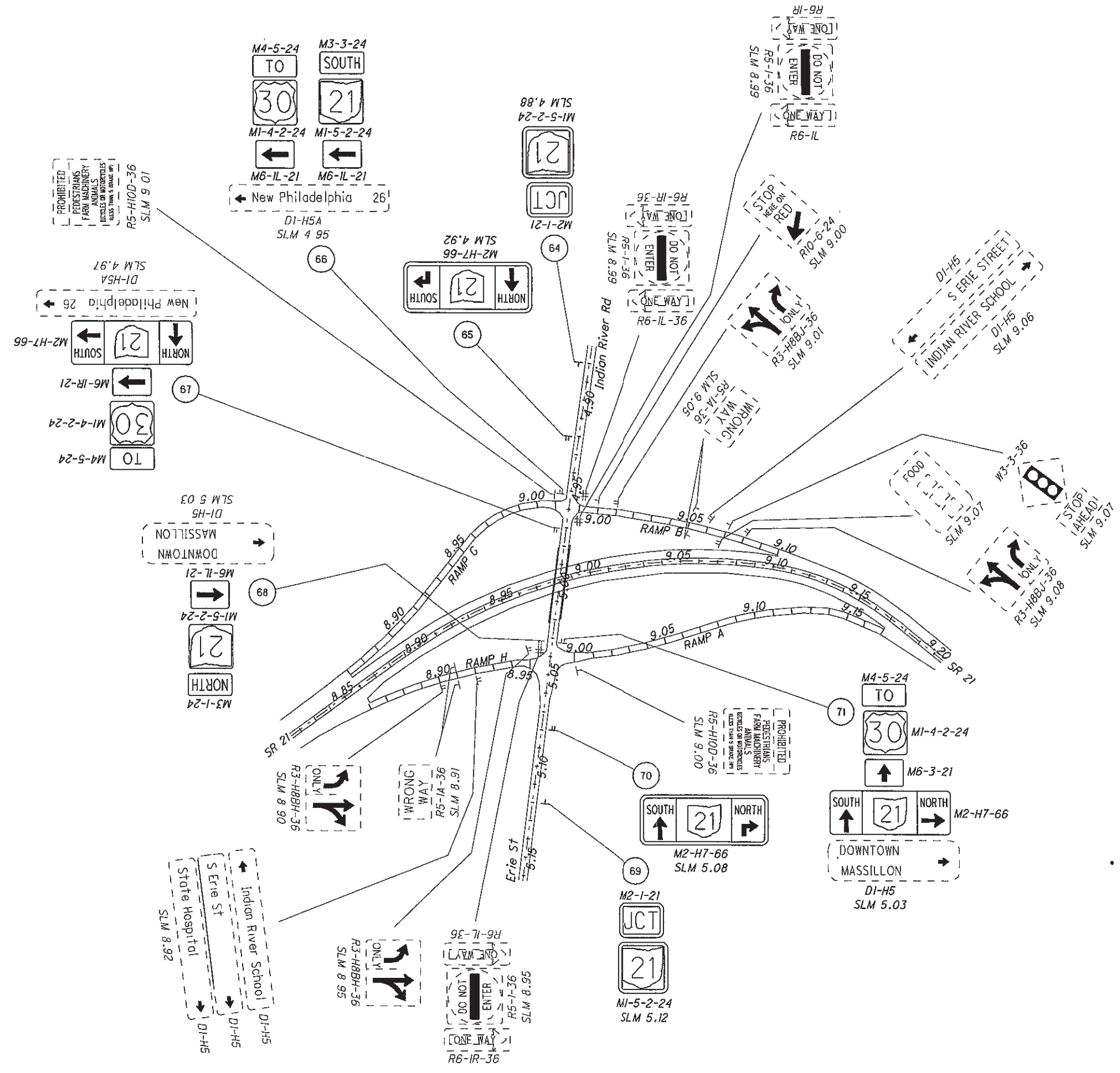
CALCULATED CX
 CHECKED KPW

SIGNING PLAN

STA-21-8.25

LEGEND

- EX-NO WORK
- EX-REMOVE
- EX-REPLACE
- NEW / ADD
- PROPOSED GUARDRAIL
- * YELLOW GREEN



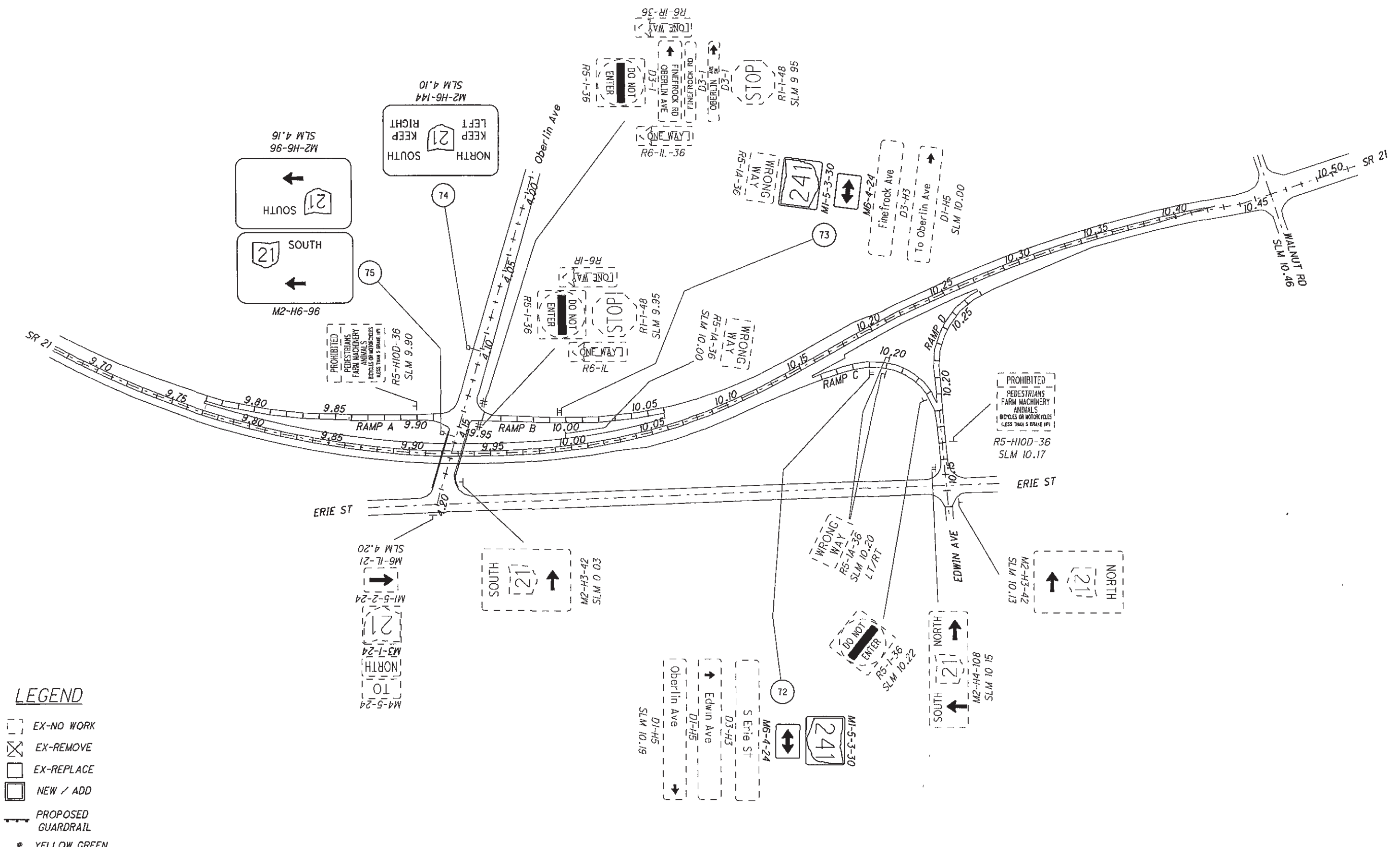
0 0.03 0.06 0.09

 HORIZONTAL SCALE IN FEET

 CALCULATED CX CHECKED KPW

SIGNING PLAN

STA-21-8.25

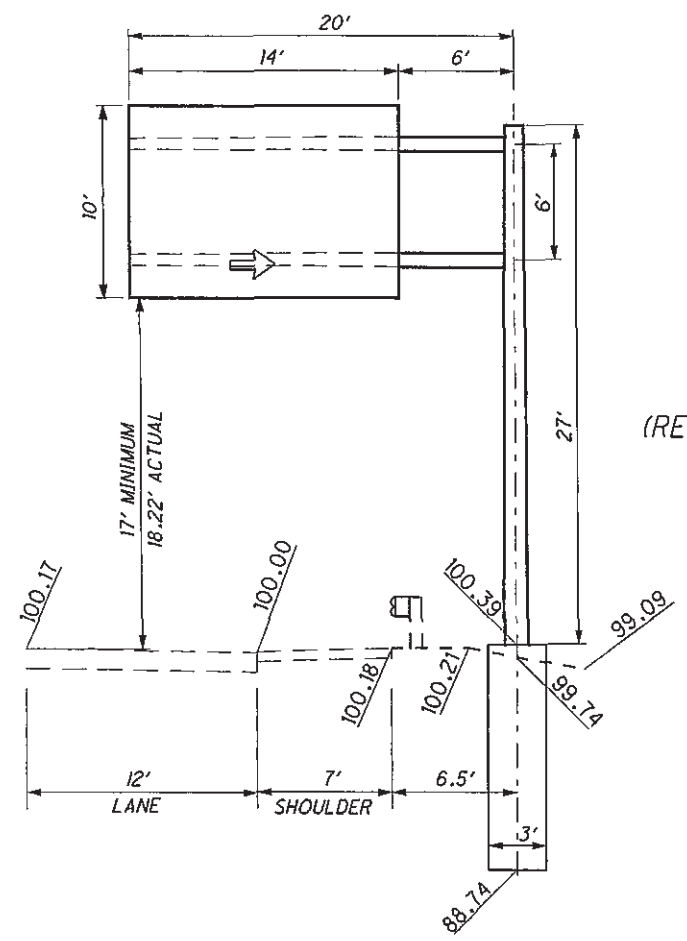


LEGEND

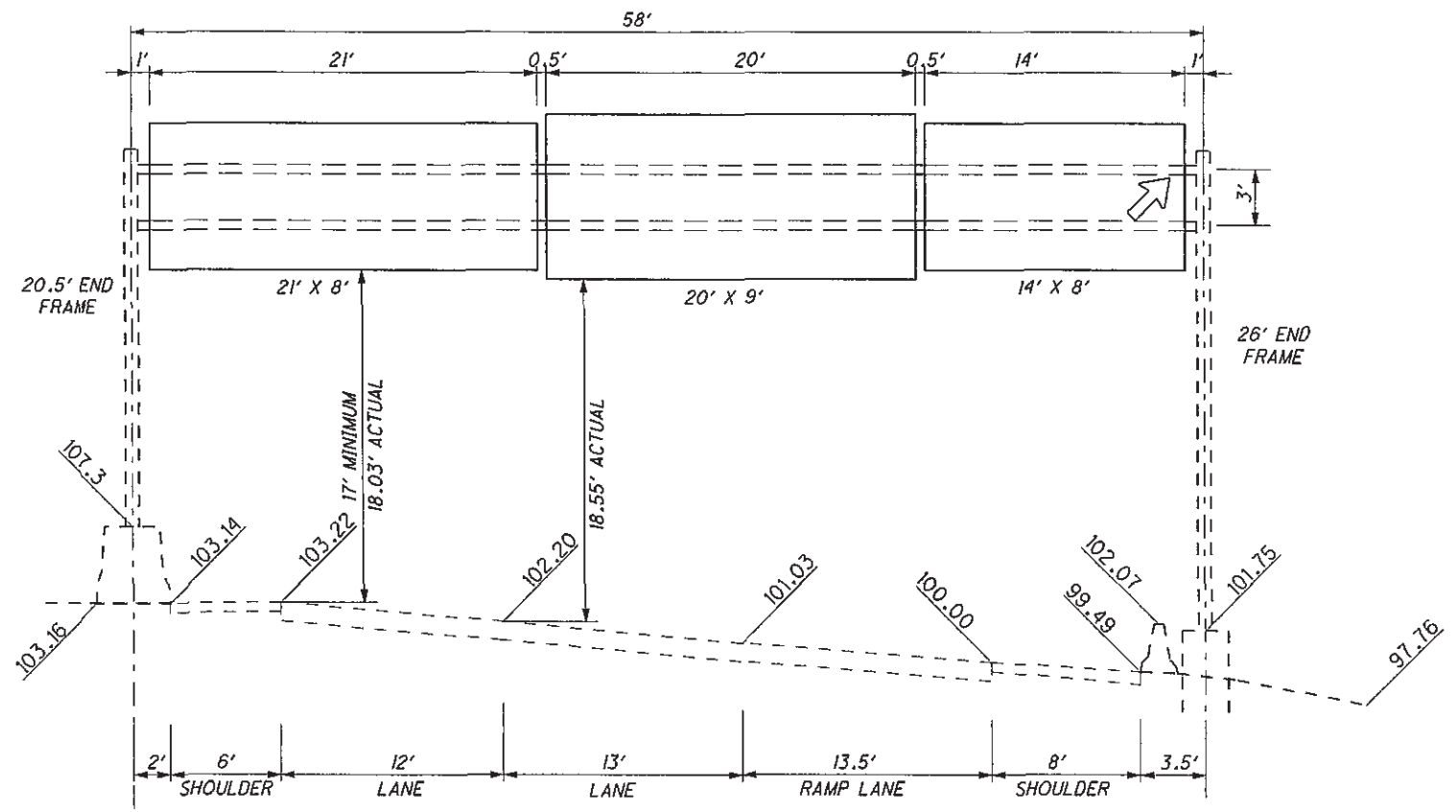
- EX-NO WORK
- EX-REMOVE
- EX-REPLACE
- NEW / ADD
- PROPOSED GUARDRAIL
- # YELLOW GREEN

0 0.03 0.06 0.09
 HORIZONTAL SCALE IN FEET
 CALCULATED CX CHECKED KPW

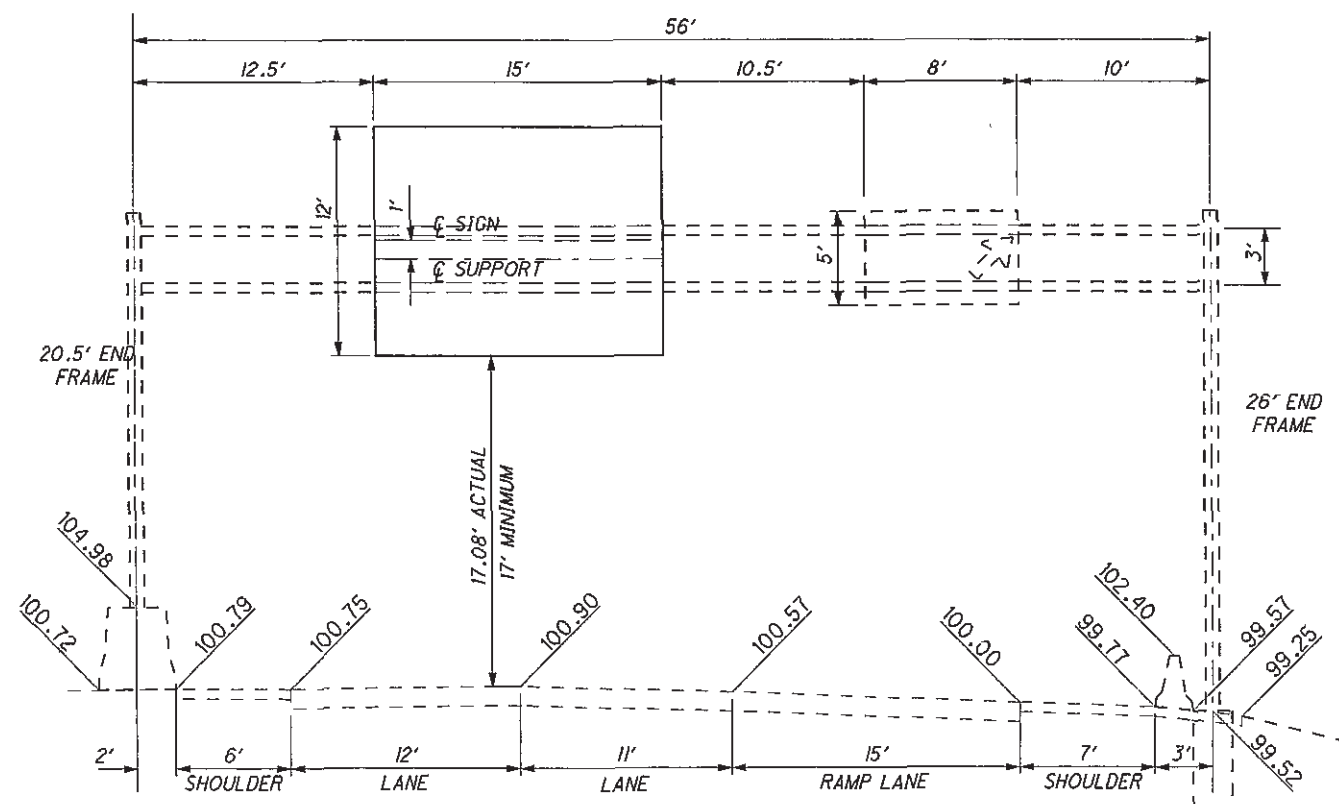
SIGNING PLAN



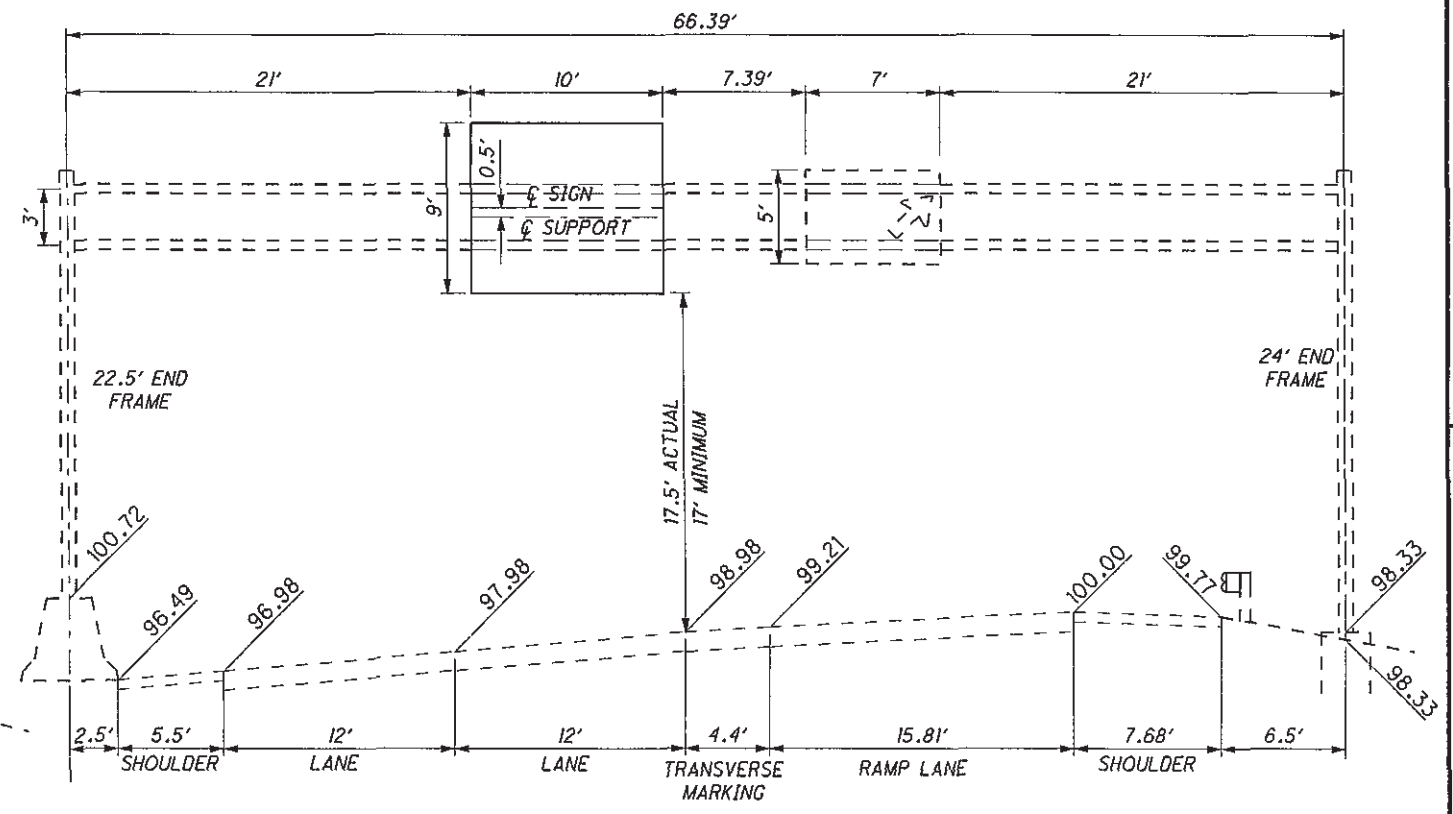
SIGN No. 3
SLM 8.25, SR 21 NB
TC-12.30, DESIGN 5
POLE = 27'
ARM = 20'
(REPLACE EXISTING SIGN SUPPORT)



SIGN No. 6
SLM 8.67, SR 21 SB & RAMP "K"
EXISTING TC-7.65, DESIGN 6



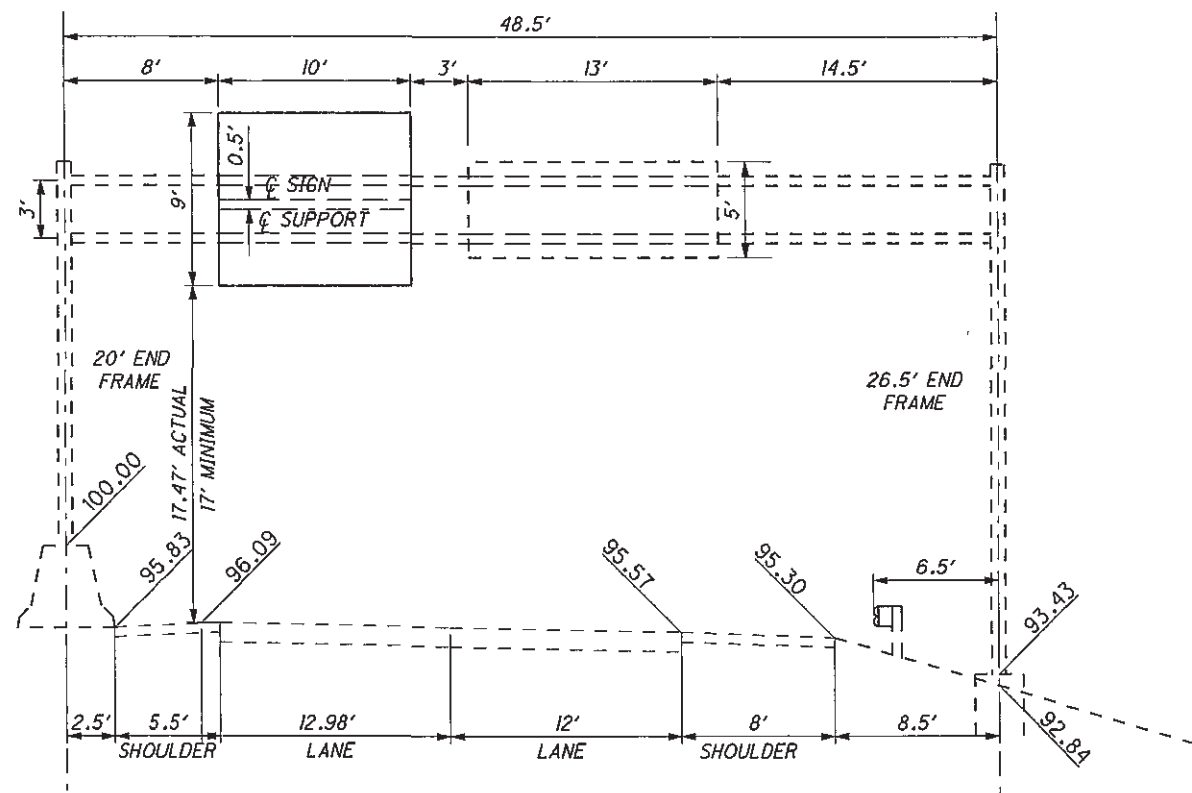
SIGN No. 8
SLM 8.83, US 21 NB & RAMP "H"
EXISTING TC-7.65, DESIGN 6



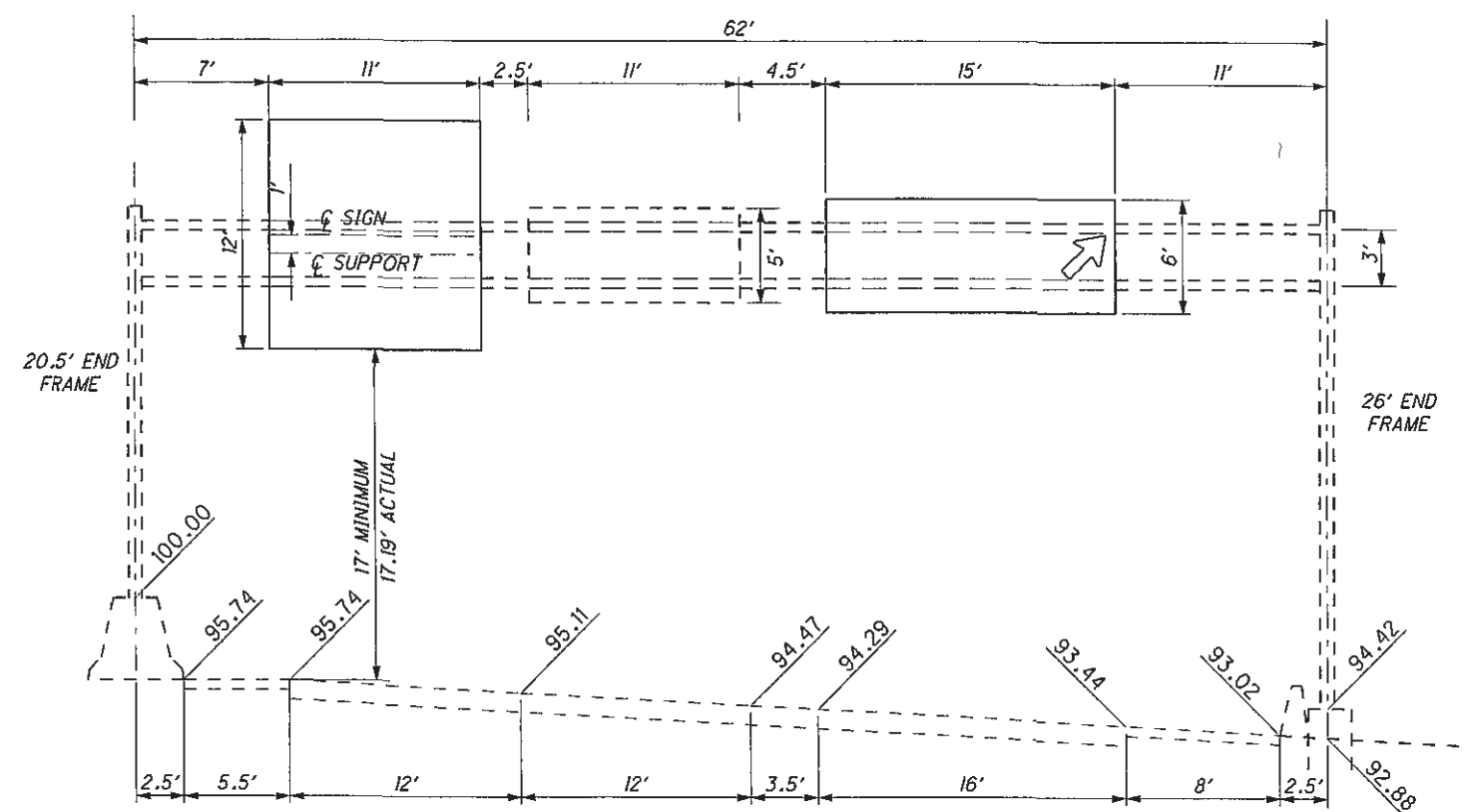
SIGN No. 11
SLM 9.13, US 21 SB & RAMP "B"
EXISTING TC-7.65, DESIGN 6

\Projects\STA\254333\roadway\sheet\signs\254333gk001.dgn 28-FEB-2007 8:47AM bboughma

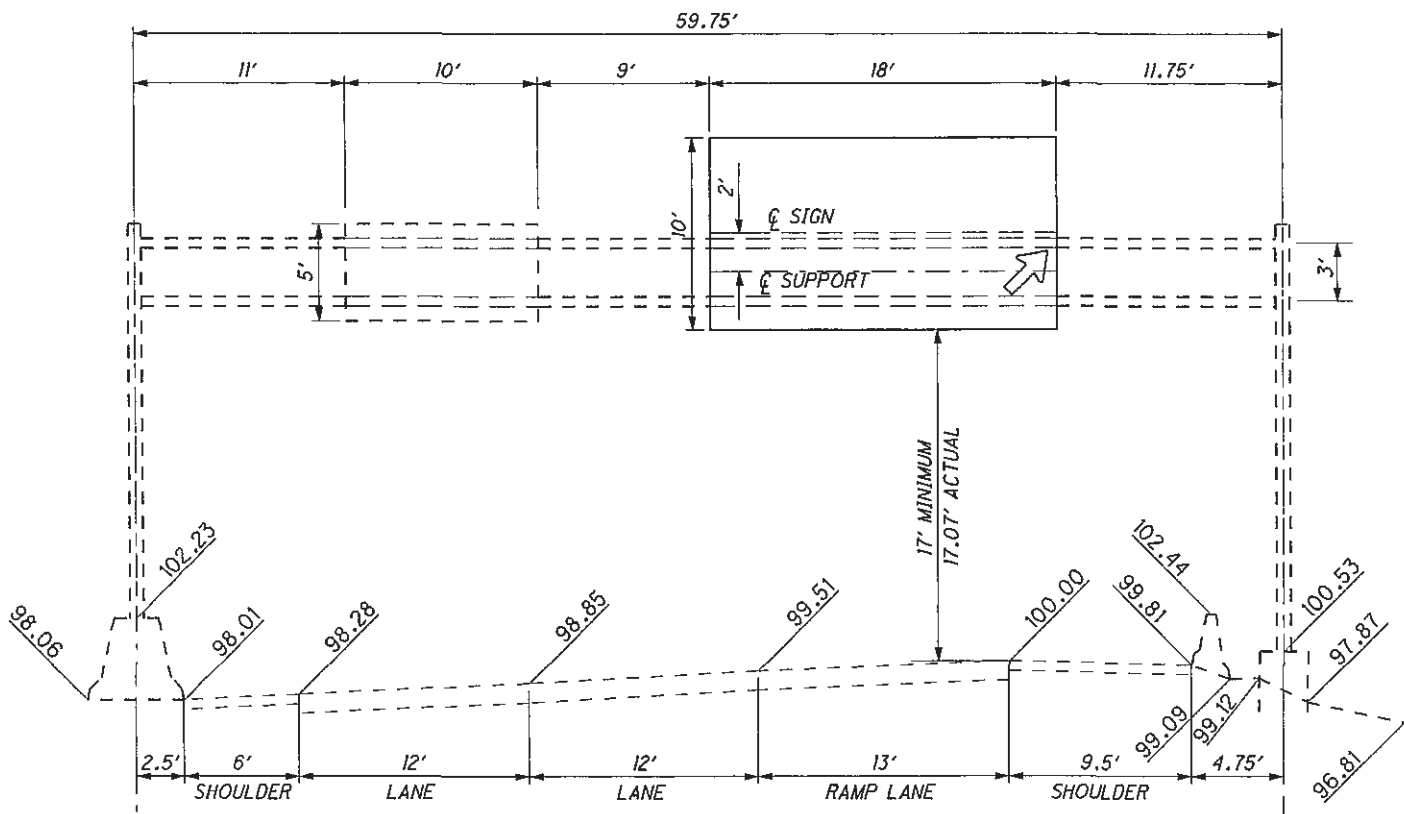
I:\Projects\STA_25433\roadway\sheet\signs\25433g\001.dgn 28-FEB-2007 8:47AM bbaughma



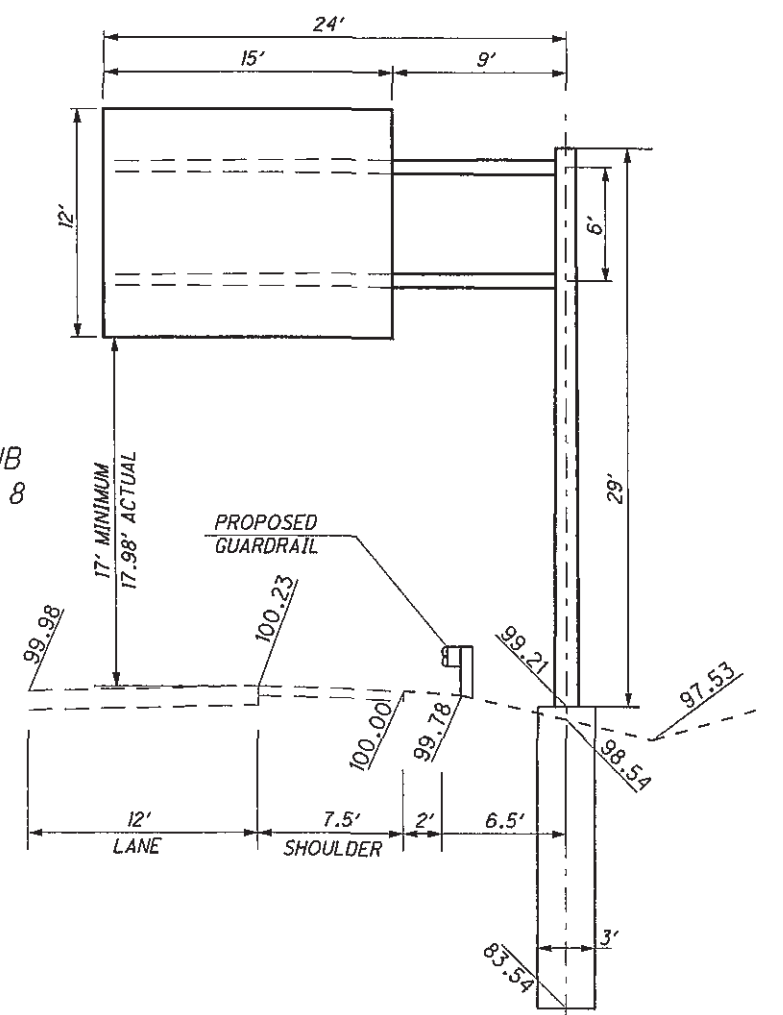
SIGN No. 14
SLM 9.55, US 21 SB
EXISTING TC-7.65, DESIGN 6



SIGN No. 17
SLM 10.10, US 21 SB
EXISTING TC-7.65, DESIGN 6



SIGN No. 18
SLM 10.11, US 21 NB
TC-7.65, DESIGN 6

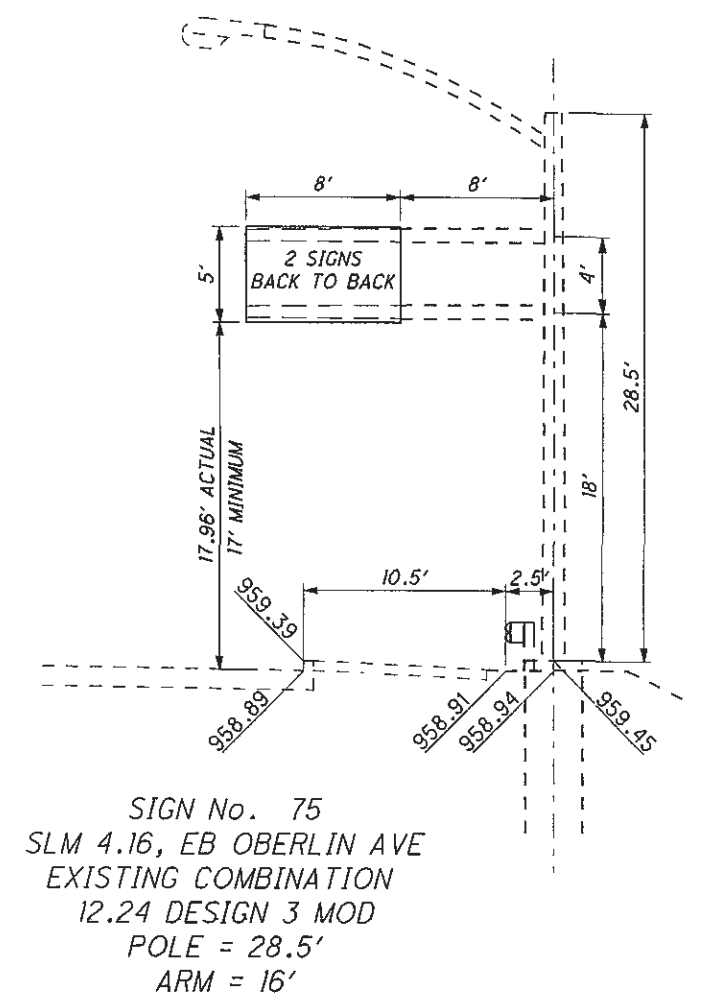
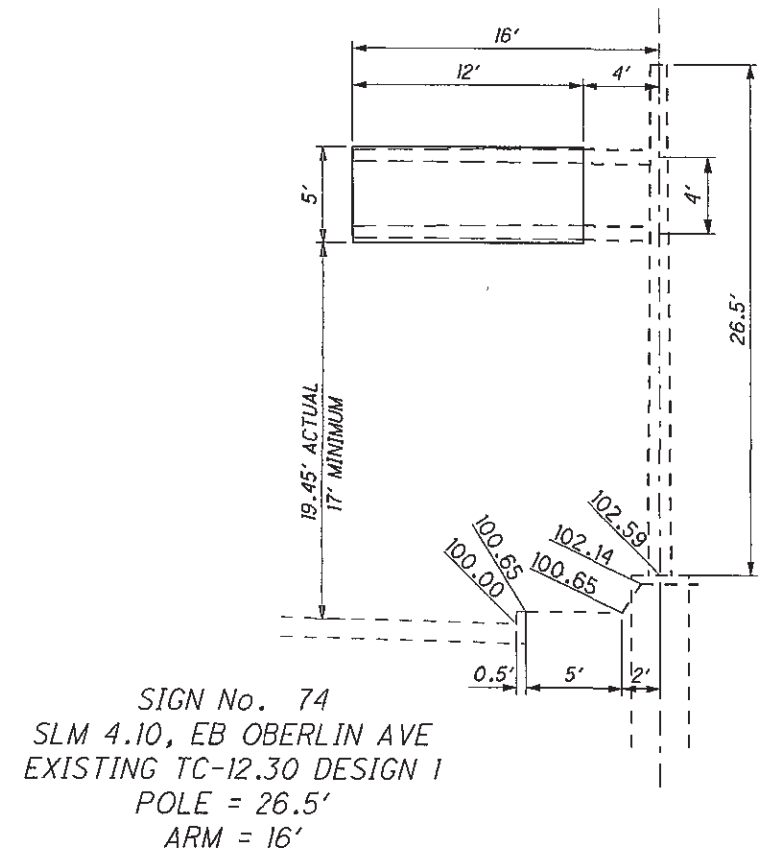
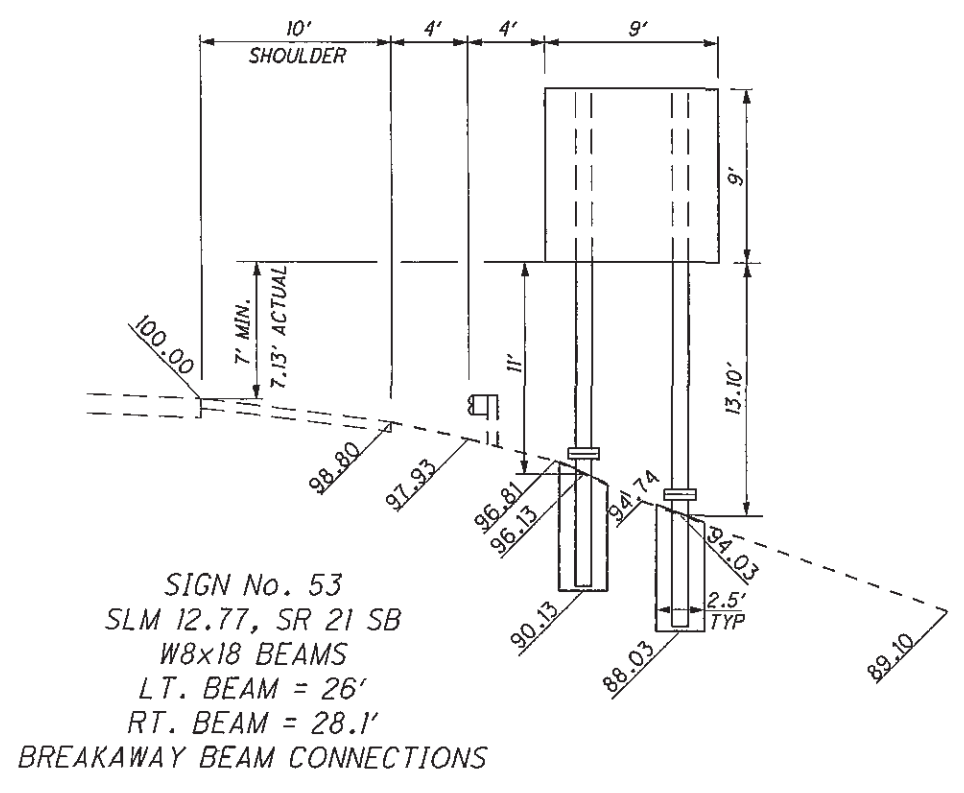
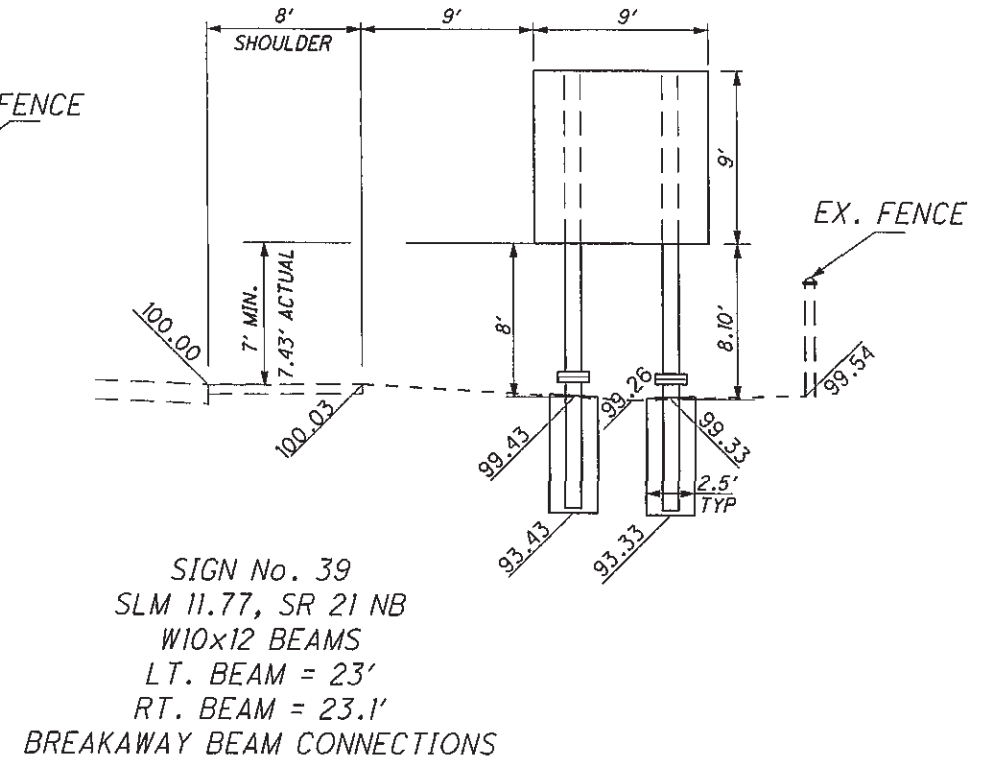
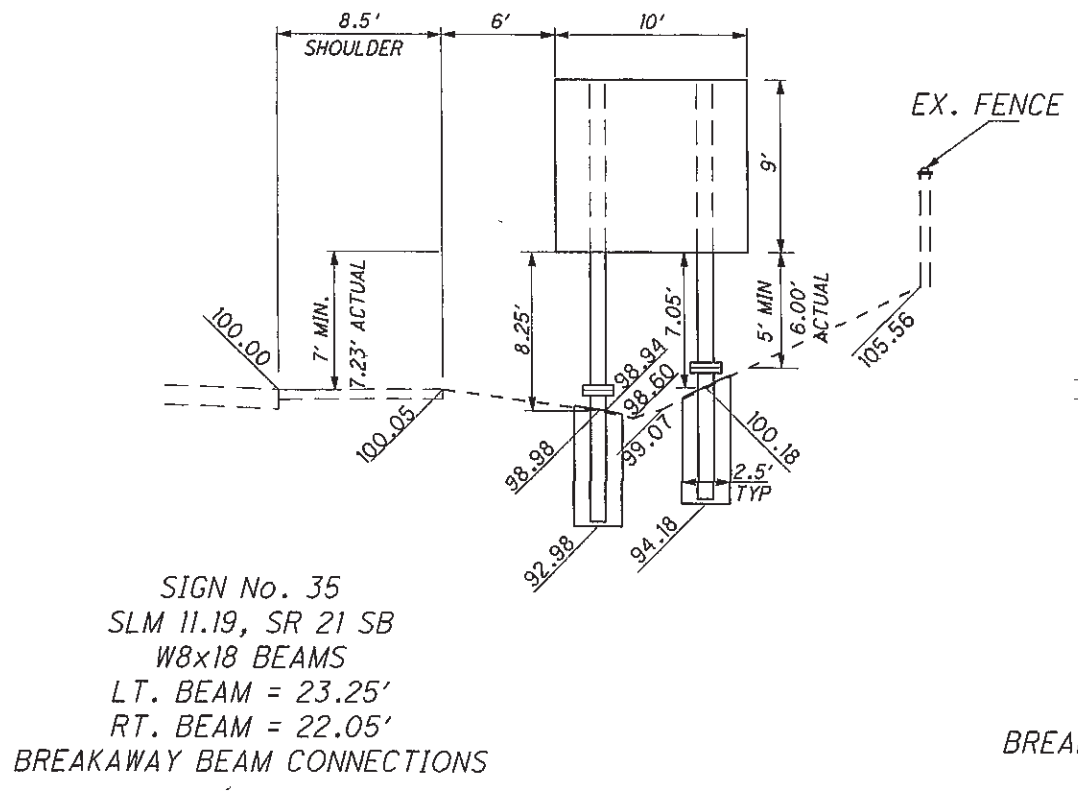
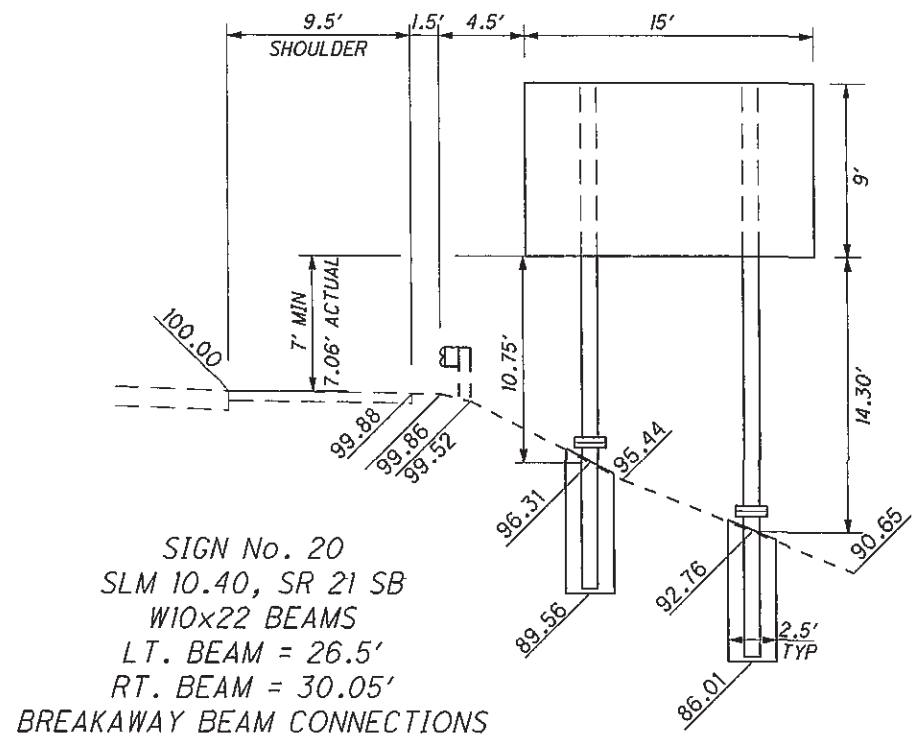


SIGN No. 15
SLM 9.61, SR 21 NB
TC-12.30, DESIGN 8
POLE = 29'
ARM = 24'

CALCULATED
CX
CHECKED
KPW

ELEVATION VIEWS

STA-21-8.25



\Projects\STA\25433\roadway\sheets\signs\25433g001.dgn 28-FEB-2007 8:47AM bboughma