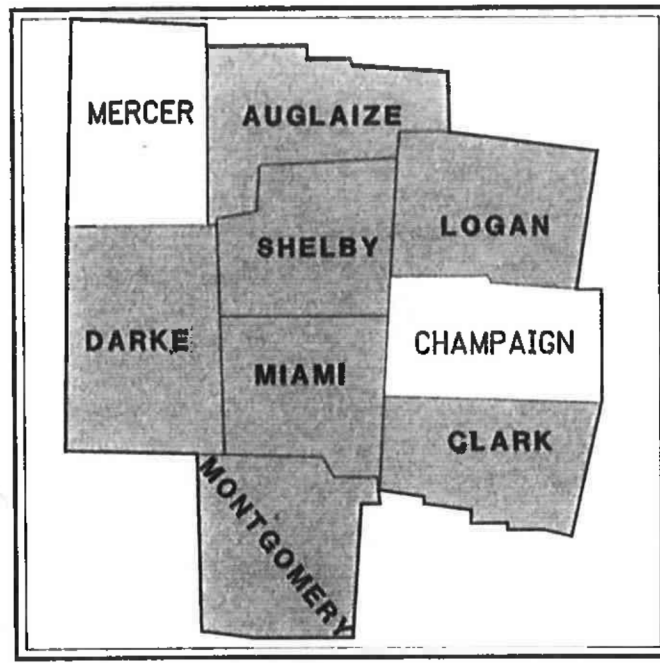


STATE OF OHIO  
DEPARTMENT OF TRANSPORTATION  
**D07-SIGN-FY20**  
DISTRICT 7



LOCATION MAP

LATITUDE: 40°17'49" N LONGITUDE: 84°09'40" W



DESIGN DESIGNATION

BENCHWOOD RD	MAJOR COLLECTOR
3rd ST	MINOR ARTERIAL
COUNTY LINE RD	MAJOR COLLECTOR
GETTYSBURG AVE	MINOR ARTERIAL
HARSHMAN RD	PRINCIPAL ARTERIAL
JAMES H MCGEE BLVD	MINOR ARTERIAL
KEOWEE ST	MINOR ARTERIAL
STANLEY AVE	MINOR ARTERIAL
WEBSTER ST	MAJOR COLLECTOR
CR 315	MINOR ARTERIAL
SR 369	MAJOR COLLECTOR
SR 4	FREEWAY/EXPRESSWAY/PRINCIPAL ARTERIAL
SR 41	MINOR ARTERIAL/MAJOR COLLECTOR
ST 444	PRINCIPAL ARTERIAL
SR 49	PRINCIPAL ARTERIAL
SR 54	MAJOR COLLECTOR
SR 55	MINOR ARTERIAL
US 35	FREEWAY/EXPRESSWAY/PRINCIPAL ARTERIAL
US 40	PRINCIPAL ARTERIAL/MINOR ARTERIAL
US 68	FREEWAY/EXPRESSWAY
I-70	INTERSTATE
I-75	INTERSTATE
I-675	INTERSTATE

DESIGN EXCEPTIONS

NONE



PLANS PREPARED BY:

**CMT**  
CRAWFORD, MURPHY & TILLY, INC.  
84 REMICK BOULEVARD  
SPRINGBORO, OHIO 45066  
PH (937)701-2193  
www.cmtengr.com

INDEX OF SHEETS:

TITLE SHEET	1
LOCATION MAPS	2 - 4
GENERAL NOTES	5 - 6
MAINTENANCE OF TRAFFIC	7 - 60, 60A
GENERAL SUMMARY	61
GENERAL SUBSUMMARY	62 - 67
SIGNING ESTIMATED QUANTITIES	68 - 76
ELEVATION PLANS	77 - 85, 84A, 86A
WRONG WAY TRAFFIC CONTROL	87 - 152

STANDARD CONSTRUCTION DRAWINGS						SUPPLEMENTAL SPECIFICATIONS	SPECIAL PROVISIONS
MGS-1.1	1/19/18	MT-98.30	7/19/19	TC-41.20	10/18/13	800	01/17/2020
MGS-2.1	1/19/18	MT-99.60	7/15/16	TC-41.30	10/18/13	808	1/18/19
MGS-4.2	7/19/13	MT-101.60	1/20/17	TC-41.40	10/18/13	821	4/20/12
MGS-5.3	7/15/16	MT-102.20	4/19/19	TC-41.41	7/19/19	832	10/19/18
		MT-105.10	7/19/13	TC-41.50	10/18/13	921	4/20/12
MT-95.30	7/19/19			TC-42.10	10/18/13		
MT-95.31	7/19/19	TC-7.65	7/20/18	TC-42.20	10/18/13		
MT-95.32	4/19/19	TC-9.10	1/19/18	TC-51.11	1/15/16		
MT-95.45	4/19/19	TC-9.30	1/19/18	TC-52.10	10/18/13		
MT-95.50	7/21/17	TC-12.30	1/19/18	TC-52.20	7/20/18		
MT-95.61	4/19/19	TC-15.115	7/20/18	TC-61.30	7/19/19		
MT-97.10	4/19/19	TC-21.10	7/19/19	TC-73.20	7/21/17		
MT-98.20	4/19/19	TC-21.20	7/20/18				
MT-98.22	1/20/17	TC-22.10	10/18/13				
MT-98.28	1/20/17	TC-22.20	1/17/14				
MT-98.29	7/19/19	TC-41.10	7/19/13				

ENGINEERS SEAL:



SIGNED: *Shelby R. Ingle*  
DATE: 12/16/2019

PROJECT DESCRIPTION

DISTRICT-WIDE SIGN REPLACEMENT CONTRACT FOR FY20. REMOVAL AND REPLACEMENT OF DEFICIENT GUIDE SIGNS AND SUPPORTS AND PLACE "WRONG WAY" SIGNS, WITHIN DISTRICT 7.

PROJECT EARTH DISTURBED AREA: N/A ACRES \*  
ESTIMATED CONTRACTOR EARTH DISTURBED AREA: N/A ACRES \*  
NOTICE OF INTENT EARTH DISTURBED AREA: N/A ACRES \*  
\* MAINTENANCE PROJECT

LIMITED ACCESS

THIS IMPROVEMENT IS ESPECIALLY DESIGNED FOR THROUGH TRAFFIC AND HAS BEEN DECLARED A LIMITED ACCESS HIGHWAY OR FREEWAY BY ACTION OF THE DIRECTOR IN ACCORDANCE WITH THE PROVISIONS OF SECTION 5511.02 OF THE OHIO REVISED CODE.

2019 SPECIFICATIONS

THE STANDARD SPECIFICATIONS OF THE STATE OF OHIO, DEPARTMENT OF TRANSPORTATION, INCLUDING CHANGES AND SUPPLEMENTAL SPECIFICATIONS LISTED IN THE PROPOSAL SHALL GOVERN THIS IMPROVEMENT.

I HEREBY APPROVE THESE PLANS AND DECLARE THAT THE MAKING OF THIS IMPROVEMENT WILL NOT REQUIRE THE CLOSING TO TRAFFIC OF THE HIGHWAY EXCEPT AS NOTED ON SHEETS 11-31, AND THAT PROVISIONS FOR THE MAINTENANCE AND SAFETY OF TRAFFIC WILL BE AS SET FORTH ON THE PLANS AND ESTIMATES.

APPROVED: *[Signature]* DISTRICT DEPUTY DIRECTOR  
DATE: 12-31-19

APPROVED: *[Signature]* DIRECTOR, DEPARTMENT OF TRANSPORTATION  
DATE: 1/2/20

FEDERAL PROJECT NO. E180436

PID NO. 108054

CONSTRUCTION PROJECT NO.

RAILROAD INVOLVEMENT NONE

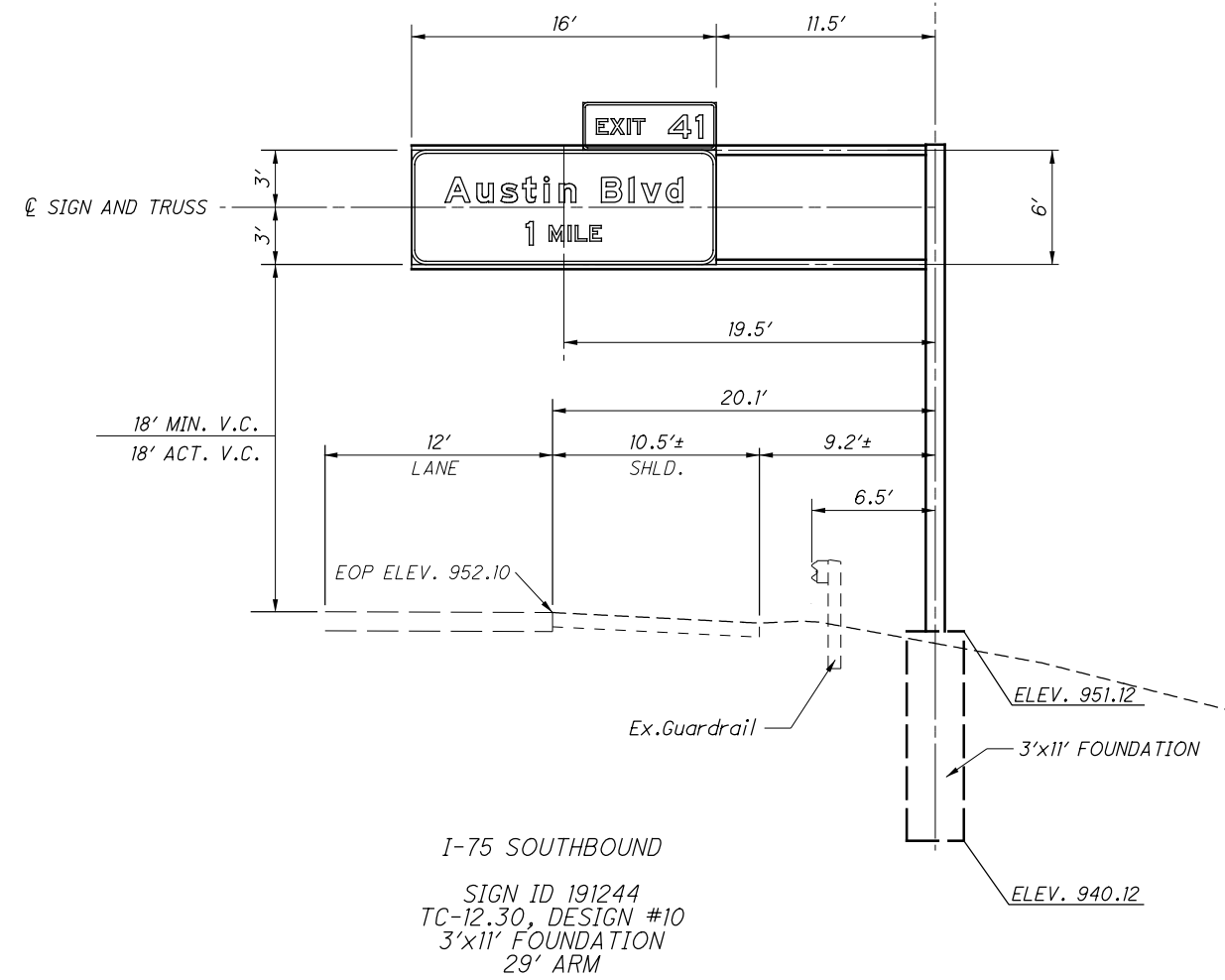
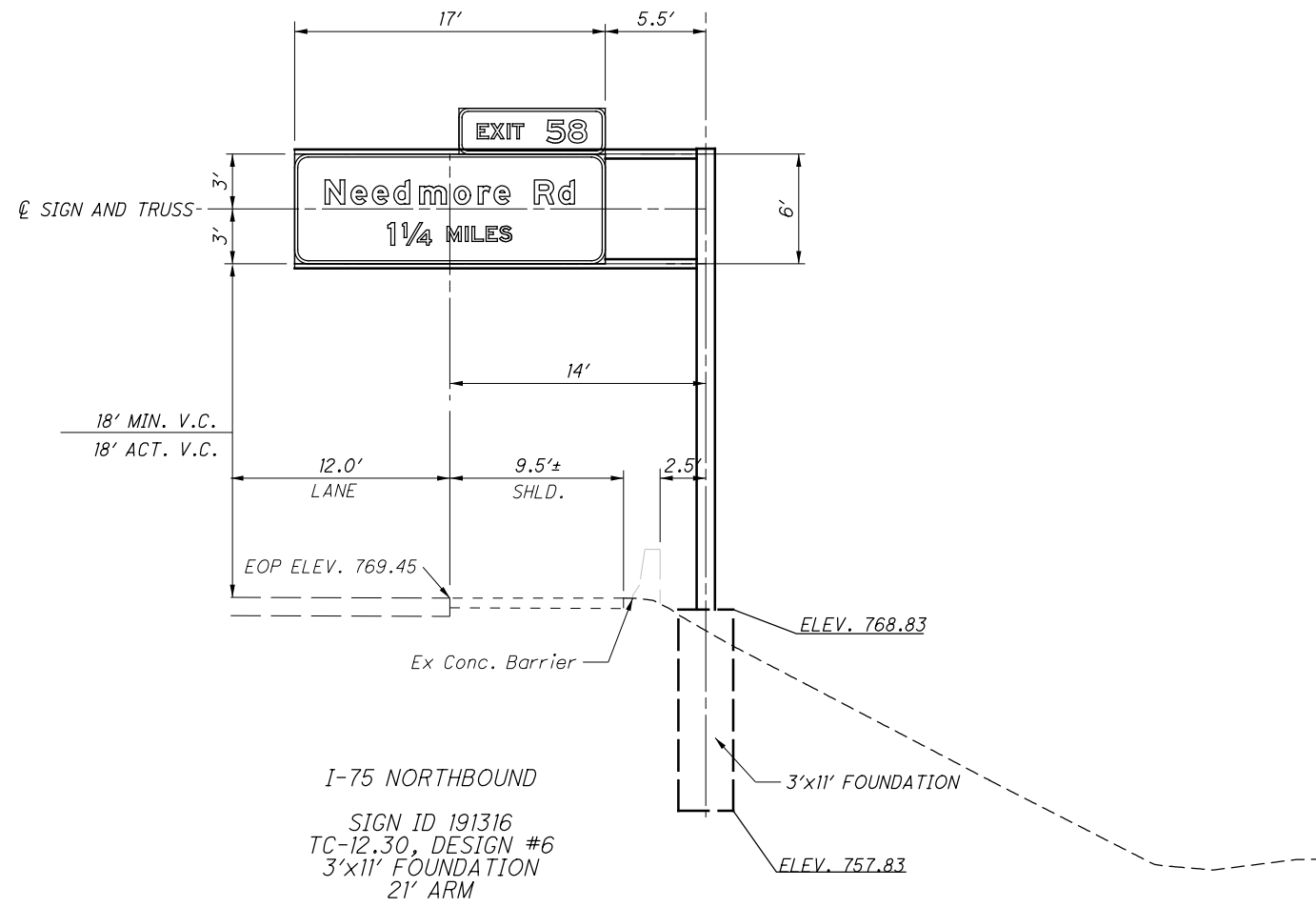
D07-SIGN-FY20

D07 - Sign FY20  
200230 PID - 108054  
Dist 7 4/23/2020

Contract Proposal Available @  
www.contracts.dot.state.oh.us/home

L:\A0001\18068307-00\_VAR-D07Sign\log\odes\108054\Roadway\Sheets

L:\ODOT\18068307-00\_VAR-D07SignUpgrades\108054\Roadway\Sheets\108054\TE002.dgn 4/7/2020 11:22:40 AM lwilson



CALCULATED	LDW
CHECKED	SRI

CANTILEVER SIGN ELEVATIONS

D07 - SIGN - FY 20