

LDENNIS@D07CD109 - note.m - Monday October 23 2000 10:11:58 AM EDT

PROPOSED WORK

REPAIR LOG-117-0671 BY PLACING MICRO-SILICA MODIFIED CONCRETE OVERLAY AND REFACING THE PARAPETS.

EXISTING STRUCTURE VERIFICATION

DETAILS AND DIMENSIONS SHOWN IN THESE PLANS PERTAINING TO THE EXISTING STRUCTURE HAVE BEEN OBTAINED FROM PLANS OF EXISTING DRAWINGS AND FROM FIELD OBSERVATION AND MEASUREMENTS. CONSEQUENTLY, THEY ARE INDICATIVE OF THE PROPOSED WORK BUT THEY SHALL BE CONSIDERED TENTATIVE AND APPROXIMATE. THE CONTRACTOR IS REFERRED TO THE CMS SECTIONS 102.05 AND 105.02.

CONTRACT BID PRICES SHALL BE BASED UPON A RECOGNITION OF THE UNCERTAINTIES DESCRIBED ABOVE AND UPON A PRE-BID EXAMINATION OF THE EXISTING STRUCTURE BY THE CONTRACTOR. HOWEVER, ALL PROJECT WORK SHALL BE BASED UPON ACTUAL DETAILS AND DIMENSIONS, WHICH HAVE BEEN VERIFIED IN THE FIELD.

NOTIFICATION

THE CONTRACTOR SHALL NOTIFY THE OHIO DEPARTMENT OF TRANSPORTATION DISTRICT SEVEN CONSTRUCTION ENGINEER TWO WEEKS PRIOR TO BEGINNING WORK ON THIS STRUCTURE. PHONE (937) 492-1141

UTILITIES

THERE ARE NO KNOWN UNDERGROUND OR OVERHEAD UTILITIES WITHIN THE PROJECT CONSTRUCTION LIMITS.

CONVERSION OF METRIC STANDARD DRAWINGS

THE METRIC STANDARD DRAWINGS REFERENCED IN THIS PLAN SHALL BE CONVERTED TO ENGLISH UNITS USING THE SI (METRIC) TO ENGLISH CONVERSION FACTORS PROVIDED IN SECTION 109.011 OF THE 1997 CONSTRUCTION AND MATERIALS SPECIFICATIONS. THE APPENDIX OF THE ASTM E 380 SHALL BE UTILIZED FOR ANY ADDITIONAL CONVERSION FACTORS REQUIRED. CONVERSIONS WILL BE APPROPRIATELY PRECISE AND WILL REFLECT STANDARD INDUSTRY ENGLISH VALUES WHERE SUITABLE.

ITEM 848 - MICRO SILICA MODIFIED CONCRETE USING HYDRODEMOLITION (2"), AS PER PLAN

THIS ITEM OF WORK SHALL CONSIST OF FURNISHING ALL THE NECESSARY LABOR, MATERIALS, AND EQUIPMENT TO REPAIR AND OVERLAY THE CONCRETE BRIDGE DECK IN ACCORDANCE WITH THESE SPECIFICATIONS AND AS PER SS848. THIS WORK INCLUDES THE REMOVAL OF ALL LOOSE AND UNSOUND CONCRETE BY HYDRODEMOLITION AND PREPARATION OF THE SOUND CONCRETE SURFACE. THIS WORK ALSO INCLUDES FURNISHING, PLACING, FINISHING, TEXTURING AND CURING OF A MICRO SILICA MODIFIED CONCRETE OVERLAY AS SPECIFIED AND ALL OTHER OPERATIONS NECESSARY TO COMPLETE THIS WORK ACCORDING TO THESE SPECIFICATIONS, SS848, AND THE ENGINEER.

REMOVAL AND SATISFACTORY DISPOSAL OF WASTE MATERIALS SHALL CONFORM TO THE PROVISIONS OF C.M.S. 202 BUT ARE INCIDENTAL TO THIS ITEM OF WORK.

ALL LABOR, TOOLS, EQUIPMENT, MATERIALS AND INCIDENTALS NECESSARY TO COMPLETE THIS WORK ARE INCLUDED UNDER ITEM 848 - MICRO SILICA MODIFIED CONCRETE USING HYDRODEMOLITION (2"), AS PER PLAN

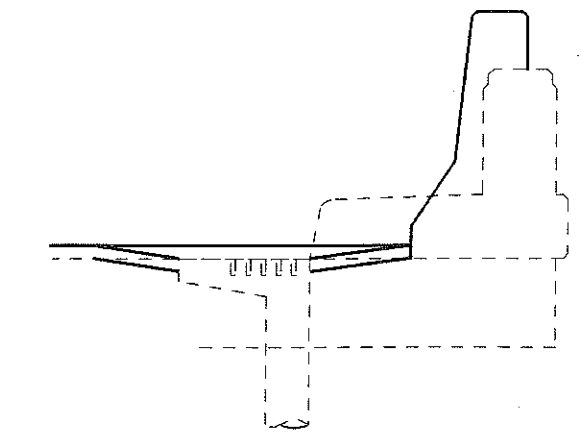
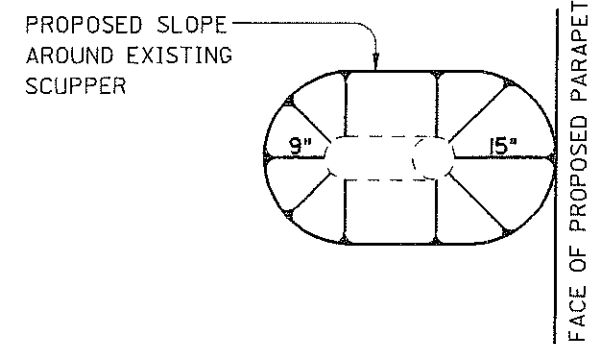
ITEM SPECIAL - SEALING OF CONCRETE SURFACES (EPOXY) (SEE PROPOSAL NOTE)

THIS ITEM WILL BE USED TO SEAL ALL SURFACES OF THE BRIDGE RAILING AS SHOWN ON THE DETAIL SHEET.

PRIOR TO APPLICATION OF THE SEALER, THE ENGINEER WILL INSURE THAT ALL FOREIGN MATERIAL, INCLUDING GRAFFITI, HAS BEEN REMOVED BY THE SURFACE PREPARATION PROCESS.

ITEM SPECIAL - HAND CHIPPING

DURING THE HAND CHIPPING OPERATION, A 1" SQUARE DRAINAGE TUBE MAY BE ENCOUNTERED. THE TUBE SHALL BE REMOVED AND INCLUDED FOR PAYMENT WITH ITEM SPECIAL, HAND CHIPPING.



SCUPPER DETAILS

GENERAL NOTES

LOGAN COUNTY
LOG-117-06.71

DATE	REVISION
DRAWN	CHECKED
LEE	08-18-00