

Vehicle Tracking Vehicle Details

Ref:

Vehicle Name: Farm Tractor Pulling Auger
Type: Articulated vehicle
Category: Autodesk
Classification: Autodesk

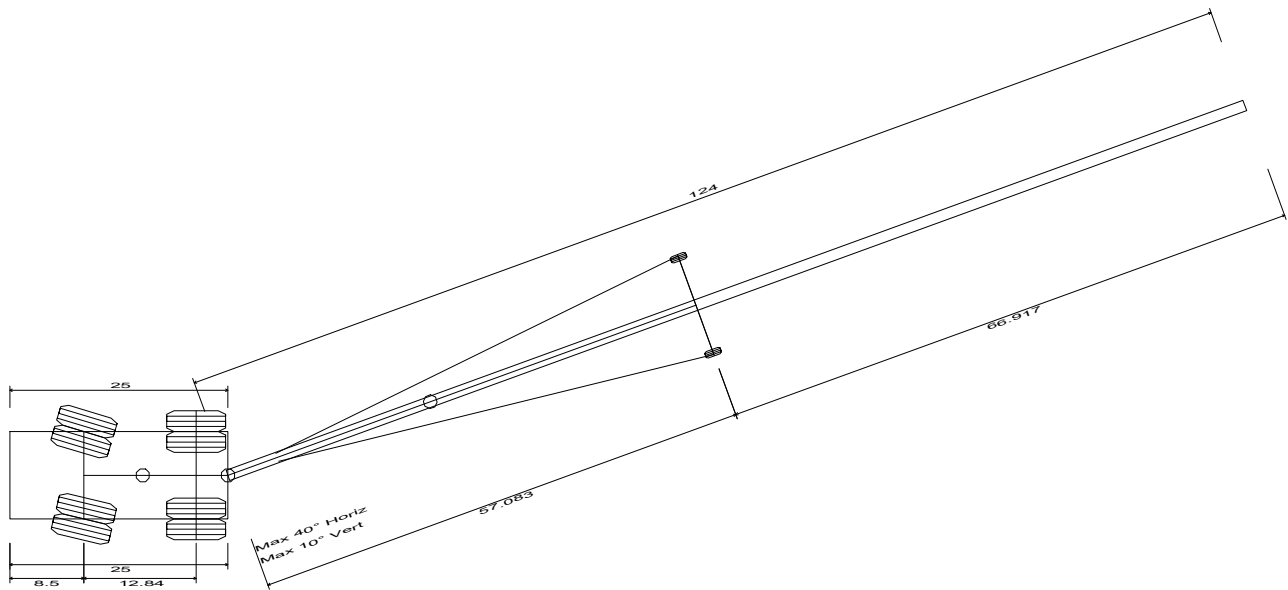
Source:

Description:

Notes: No data

Unit 1 Name: Farm Tractor

Unit 2 Name: Auger



Farm Tractor Pulling Auger	
Overall Length	149.000ft
Overall Width	12.000ft
Overall Body Height	11.370ft
Min Body Ground Clearance	3.042ft
Max Track Width	14.750ft
Lock-to-lock time	6.00s
Curb to Curb Turning Radius	20.700ft

Vehicle Tracking Vehicle Details

Ref:

Unit Name:	Farm Tractor
Type:	Tractor (with driver controlled steering)
Body style:	Farm Tractor
Classification	(Unspecified)
Source:	No data
Description:	No data
Notes:	No data
Datum:	Front Primary Axle
Front Axle(s):	1 Ackerman (axles fixed, wheels turn)
Primary Front Axle Offset:	0.000ft
Effective Front Axle Offset:	0.000ft (Auto Calculated)
Maximum Wheel Angle:	Unlimited
Linkage:	Front axles linked to rear axles
Basis	Angle of rear wheels
Rule 1:	Forward and reverse from 0.00deg, 0.00 based upon Tangents
Status:	Active Non Self-Steered
Track Width:	14.750ft
Total Wheels:	4 (positioned at the ends of the axle)
Tire Width:	2.375ft
Tire Diameter:	6.740ft
Rear Axle(s):	1 Fixed
Primary Rear Axle Offset:	12.840ft (Innermost Axle behind Front Primary Axle)
Effective Rear Axle Offset:	12.840ft (Auto Calculated)
Maximum Wheel Angle:	Unlimited
Status:	Active Non Self-Steered
Track Width:	14.750ft
Total Wheels:	4 (positioned at the ends of the axle)
Tire Width:	2.375ft
Tire Diameter:	6.740ft
Steering:	Front Axle(s):
Min. Curb / Curb Turning Radius:	20.700ft (based upon active axles only)
Calculated Maximum Wheel Angle:	76.500deg
Lock-to-Lock Time (Fwd/Rev):	6.0sec / 6.0sec
Driver / Pilot	
Driver Offset Longitudinally:	-3.579ft (in front of Front Primary Axle)
Driver / Pilot Offset Laterally:	-1.969ft (Right of Centerline)
Driver Height:	6.496ft (Above ground level)
Front Coupling:	Generic
Coupling Offset:	-6.740ft (in front of Front Primary Axle)
Coupling Height:	3.370ft (Auto Calculated - proportion of Tire Diameter)
Capability:	Can Tow or be Towed
Max. Horizontal Articulation Angle:	42.000deg
Max. Vertical Articulation Angle:	10.000deg
Rear Coupling:	Generic
Coupling Offset:	16.500ft (behind Front Primary Axle)
Coupling Height:	3.370ft (Auto Calculated - proportion of Tire Diameter)

Vehicle Tracking Vehicle Details
(continued...)

Ref:

Capability:	Can Tow or be Towed
Max. Horizontal Articulation Angle:	40.000deg
Max. Vertical Articulation Angle:	10.000deg

Body outline (plan):	
Outline Type:	Rectangle
Offset (X,Y):	-8.500ft, 0.000ft
Length / Width:	25.000ft / 10.000ft

Vehicle Tracking Vehicle Details

Ref:

Unit Name:	Auger
Type:	Trailer (no driver-controlled steering)
Body style:	Flatbed Semi-Trailer
Classification	(Unspecified)
Source:	No data
Description:	No data
Notes:	No data
Datum:	Front Coupling
Maximum Articulation Angle:	40deg (to previous unit)
Front Axle(s):	None
Rear Axle(s):	1 Fixed
Primary Rear Axle Offset:	57.083ft (Innermost Axle behind Front Coupling)
Effective Rear Axle Offset:	57.083ft (Auto Calculated)
Maximum Wheel Angle:	Unlimited
Rear Axle 1	
Status:	Active Non Self-Steered
Track Width:	12.330ft
Total Wheels:	2 (positioned at the ends of the axle)
Tire Width:	0.750ft
Tire Diameter:	1.875ft
Front Coupling:	Generic
Coupling Offset:	0.000ft (in front of Front Coupling)
Coupling Height:	0.938ft (Auto Calculated - proportion of Tire Diameter)
Capability:	Can Tow or be Towed
Max. Horizontal Articulation Angle:	40.000deg
Max. Vertical Articulation Angle:	10.000deg
Rear Coupling:	Generic
Coupling Offset:	24.660ft (behind Front Coupling)
Coupling Height:	1.875ft (Auto Calculated - proportion of Tire Diameter)
Capability:	Can Tow or be Towed
Max. Horizontal Articulation Angle:	90.000deg
Max. Vertical Articulation Angle:	10.000deg
Body outline (plan):	
Outline Type:	Rectangle
Offset (X,Y):	0.000ft, 0.000ft
Length / Width:	124.000ft / 1.250ft
Outline Type:	Line
Offset (X,Y):	0.000ft, 0.000ft
Vertices...	
1	6.000, 0.500
2	57.083, 6.000
3	57.083, -6.000
4	6.000, -0.500