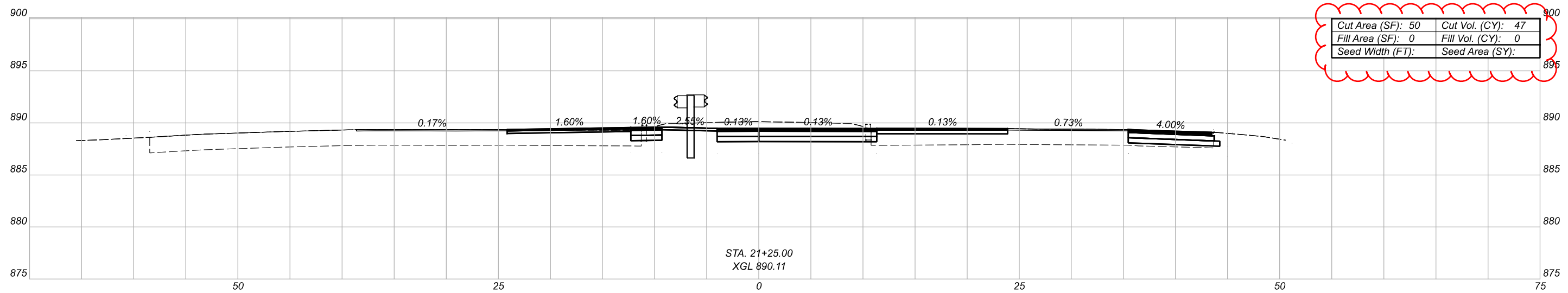
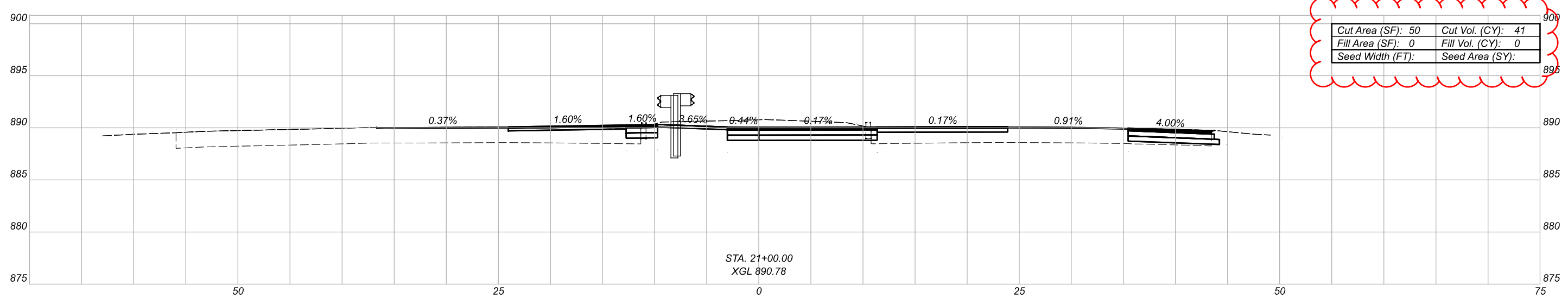


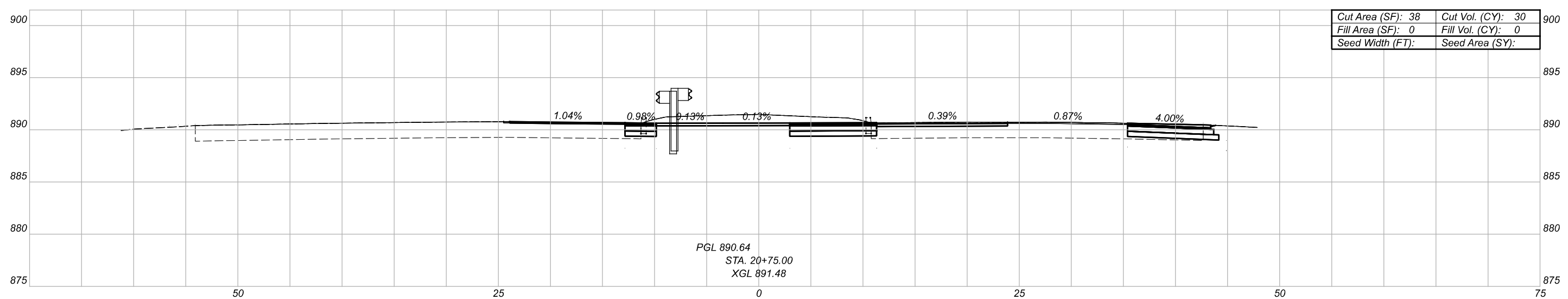
MODEL: CLCON270 - 20+75.00 [Sheet] PAPERSIZE: 17x11 (in.) DATE: 4/20/2022 TIME: 12:48:26 PM USER: nbrickner
 L:\ODOT\20068303-00_VAR-STW_Safety\Design\2020-6.01_FRA-270\13655\400-Engineering\Roadway\Sheets\13655_XS001.dgn



STA. 21+25.00
XGL 890.11




STA. 21+00.00
XGL 890.78



PGL 890.64
STA. 20+75.00
XGL 891.48

CROSS SECTIONS
STA 20+75 TO STA 21+25

DESIGN AGENCY

 CRAWFORD, MURPHY & TILLY, INC.
 8 SOUTH ST. SUITE 100
 COLUMBUS, OH 43205
 www.cmtinc.com

DESIGNER
LDW

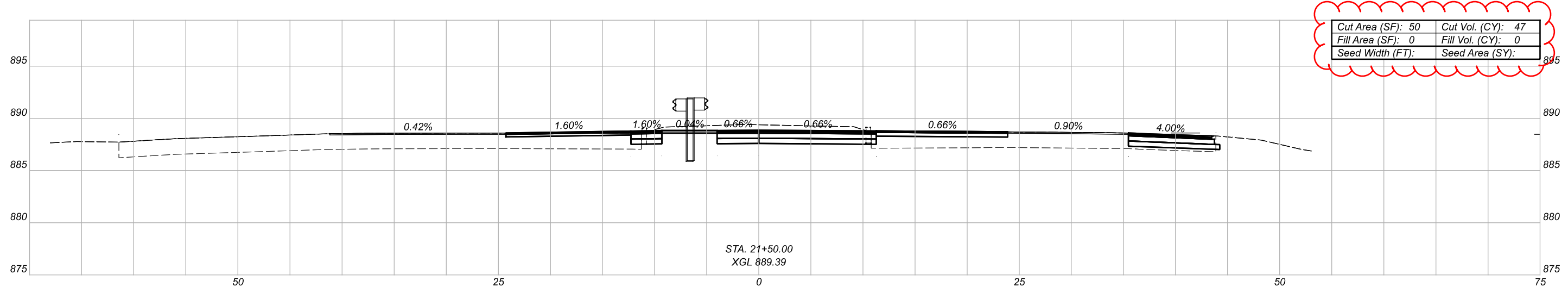
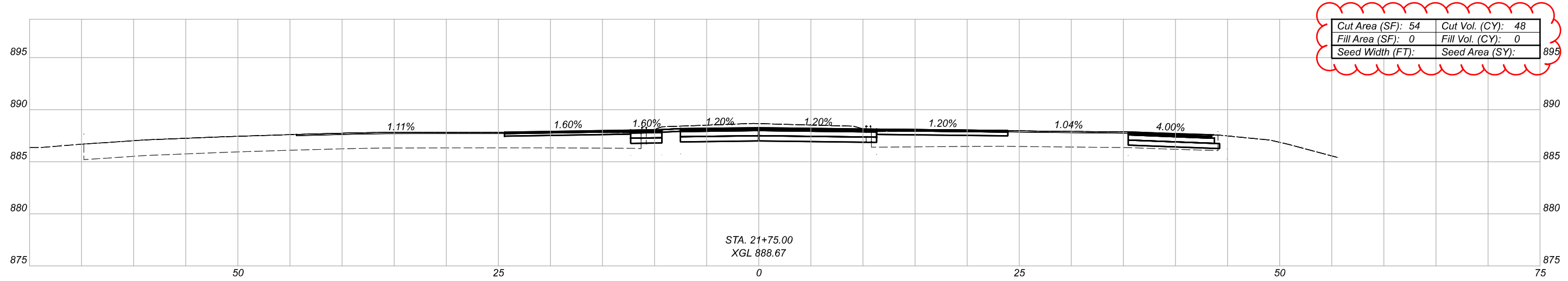
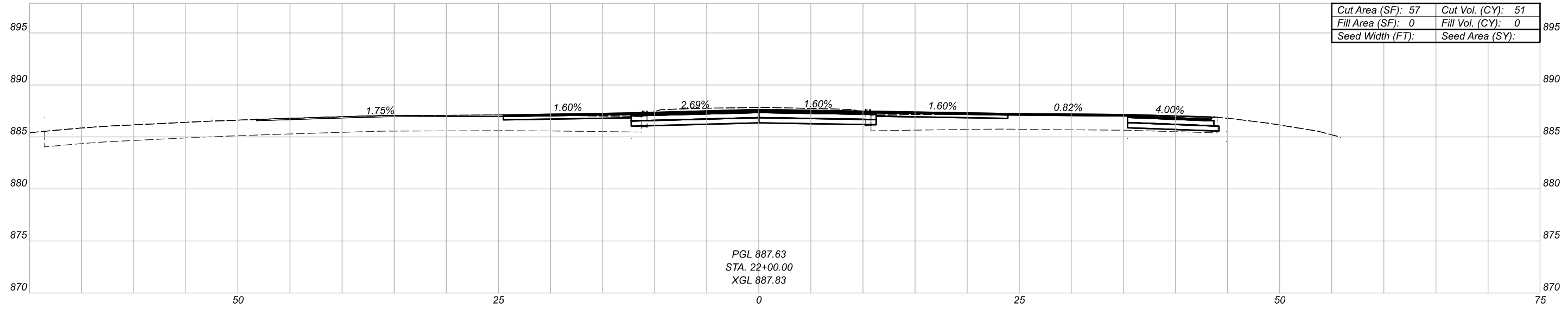
REVIEWER
JWL 06/03/21

PROJECT ID
113655


| Sheet Totals | | |
|--------------|-----|------|
| Seeding | Cut | Fill |
| . | . | . |

| SHEET | TOTAL |
|-------|-------|
| 39 | 66 |

MODEL: CLCON270 - 21+50.00 [Sheet] PAPER SIZE: 17x11 (in.) DATE: 4/20/2022 TIME: 12:48:34 PM USER: nbr:ckner
 L:\ODOT\20068303-00_VAR-STW_SafetyDesign2020-6\01_FRA-270\13655\400-Engineering_Roadway\Sheets\13655_XS001.dgn



CROSS SECTIONS
STA 21+50 TO STA 22+00

DESIGN AGENCY

 CRAWFORD, MURPHY & TILLY, INC.
 8100 WOODBURN STREET, SUITE 100
 COLUMBUS, OHIO 43235
 WWW.CMTINC.COM

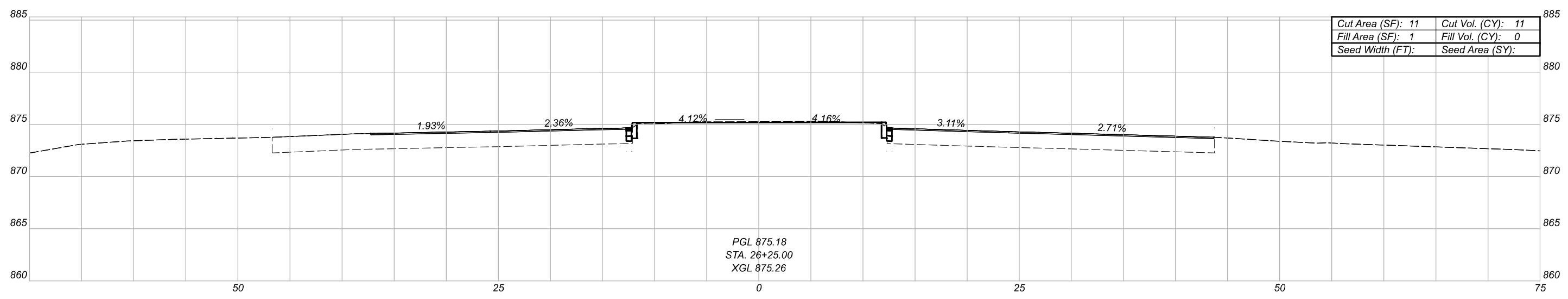
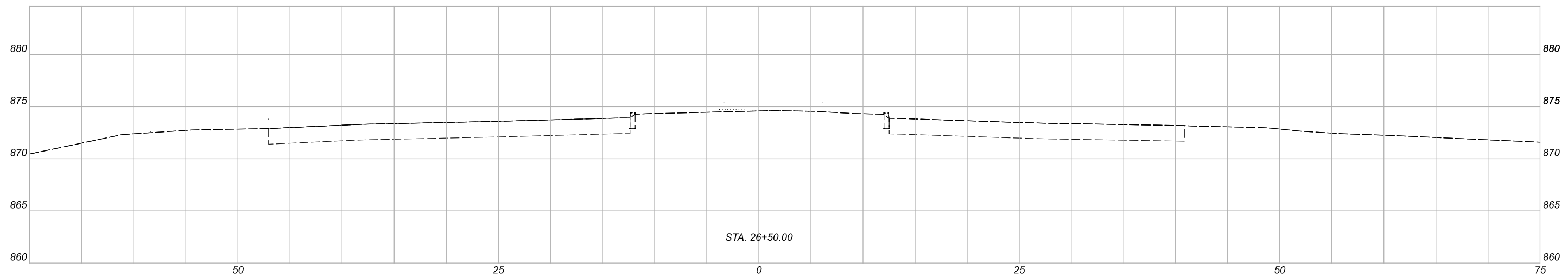
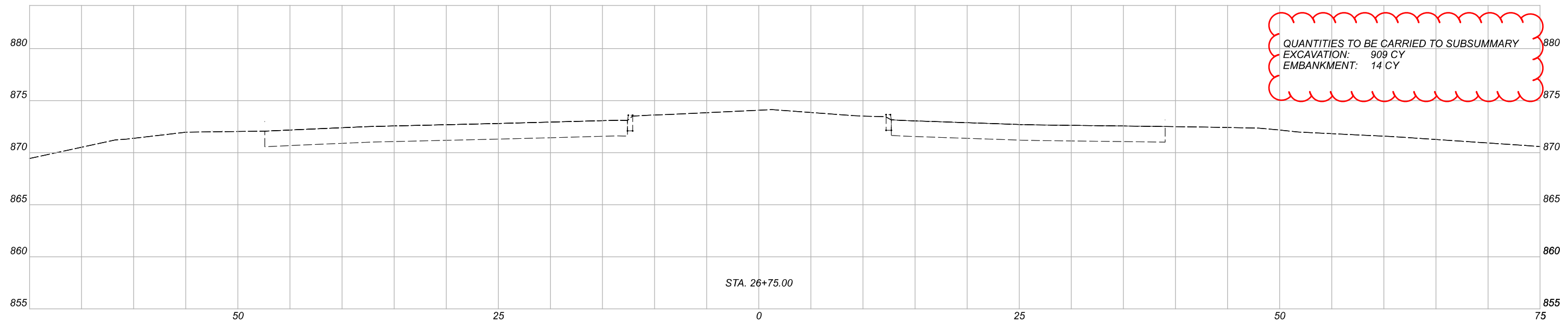
DESIGNER
LDW

REVIEWER
JWL 06/03/21

PROJECT ID
113655

| Sheet Totals | | | SHEET | TOTAL |
|--------------|-----|------|-------|-------|
| Seeding | Cut | Fill | | |
| . | . | . | 40 | 66 |

MODEL: CLCON270 - 26+25.00 [Sheet] PAPERSIZE: 11x17 (in.) DATE: 4/20/2022 TIME: 12:49:23 PM USER: nbrickner
 L:\00DOT\20068303-00_VAR-STW_SafetyDesign2020-6\01_FRA-270\13655\400-Engineering\Roadway\Sheets\13655_XS001.dgn



PGL 875.18
 STA. 26+25.00
 XGL 875.26

CROSS SECTIONS
 STA 26+25 TO STA 26+75

DESIGN AGENCY
CMT
 CRAWFORD, MURPHY &
 TILLY, INC.
 8 FOURTH STREET
 SUITE 100
 COLUMBUS, OH 43215
 WWW.CMTINC.COM

DESIGNER
 LDW

REVIEWER
 JWVL 06/03/21

PROJECT ID
 113655

| Sheet Totals | | | SHEET TOTAL | |
|--------------|-----|------|-------------|----|
| Seeding | Cut | Fill | 47 | 66 |
| . | . | . | | |