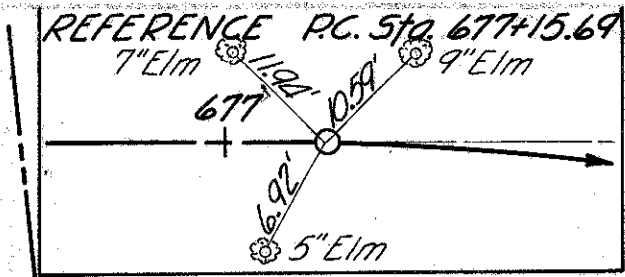
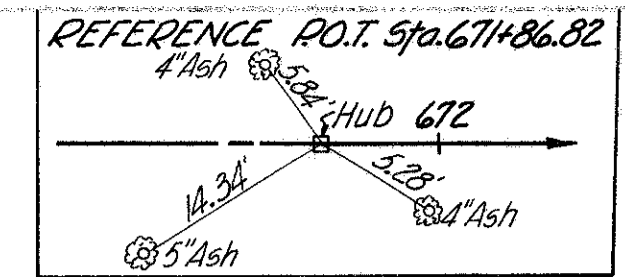
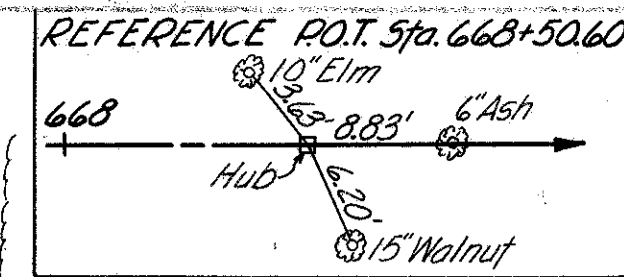


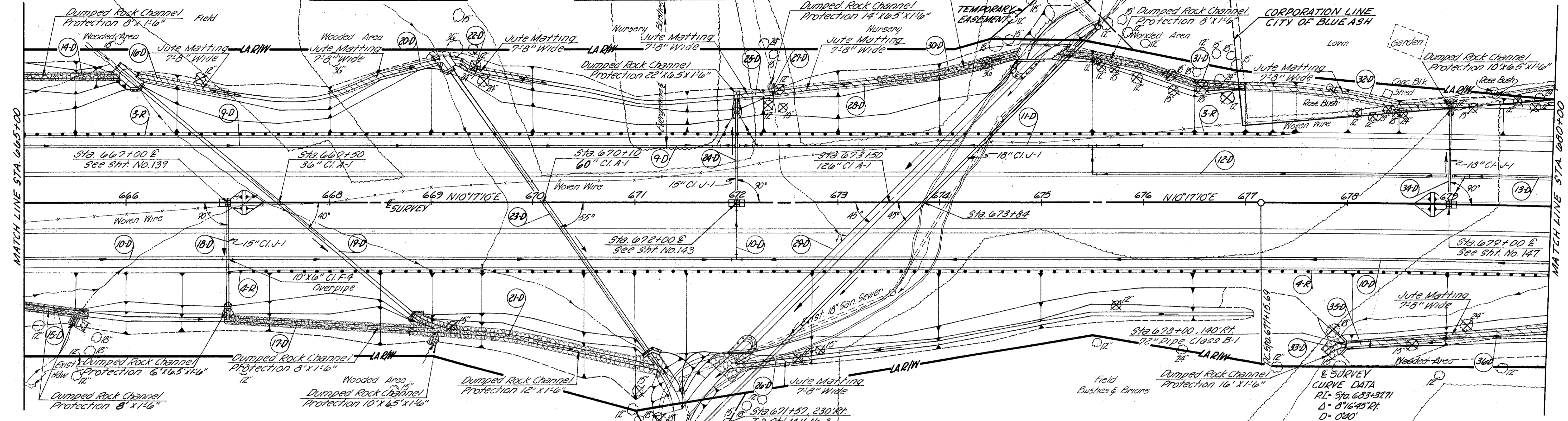
HUBS NOT REFERENCED
Sta. 674+38.62 Sta. 674+00
Sta. 676+46.56 Sta. 680+00
Sta. 678+00



FED. RD. DIVISION	STATE	PROJECT
2	OHIO	

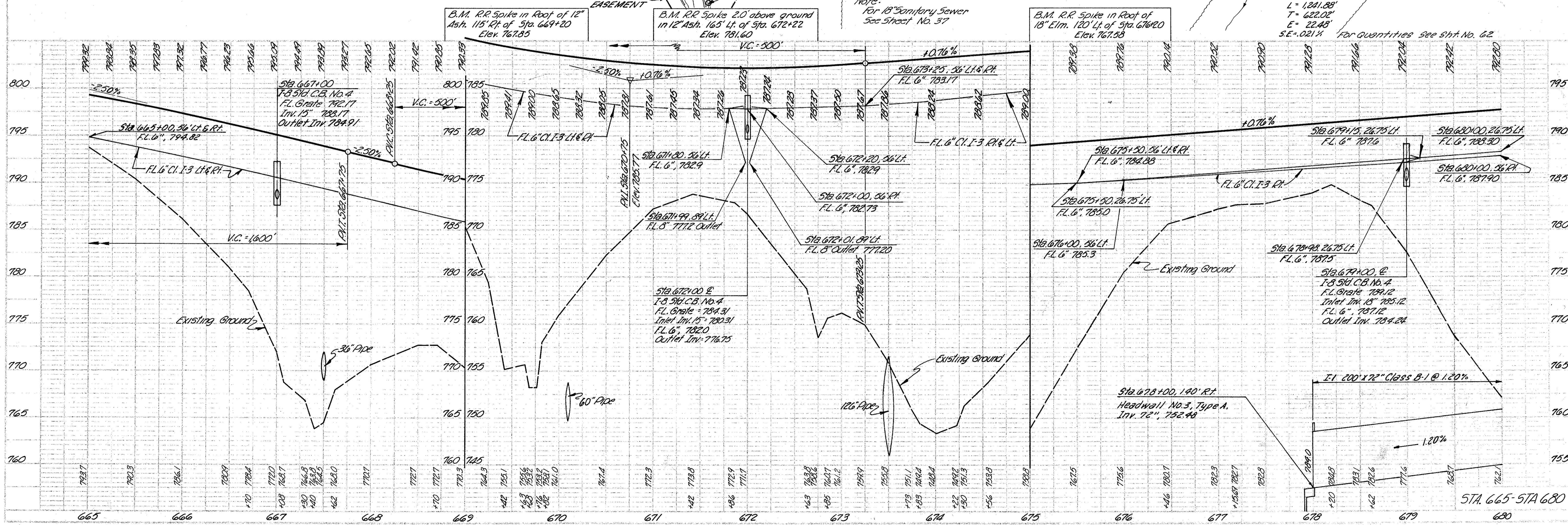
HAMILTON COUNTY
HAM 71-13.05

60
445

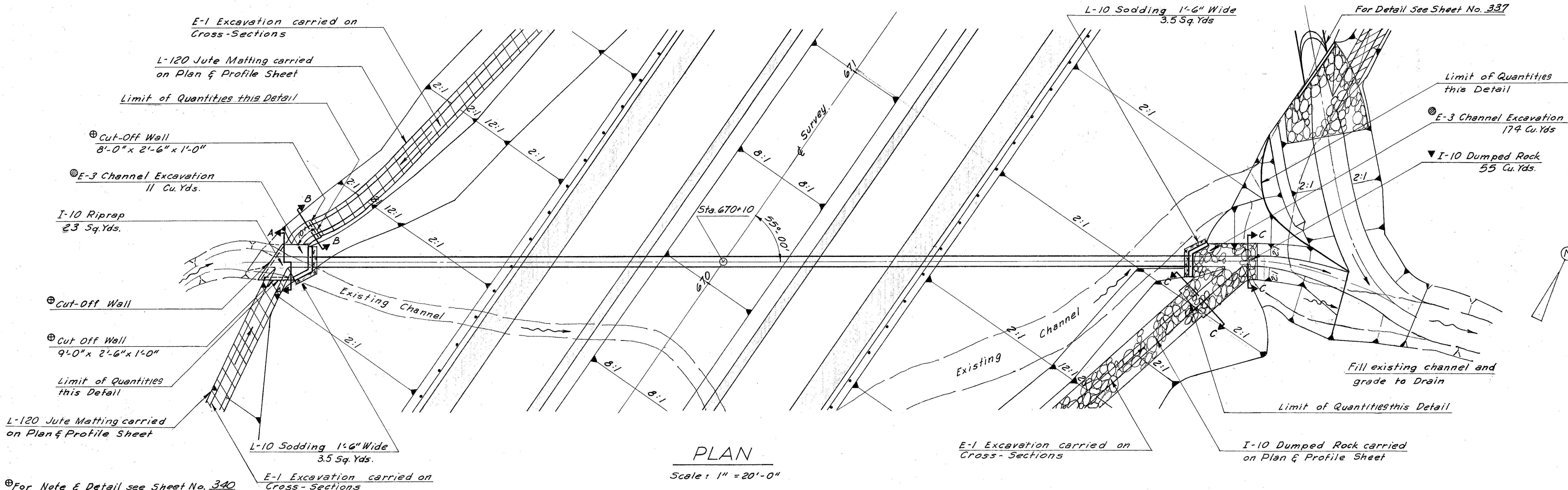


E SURVEY
CURVE DATA
PI = Sta. 673+31.71
Δ = 8° 16' 45" RT
D = 0.040'
R = 8,574.37'
L = 1,241.88'
T = 622.02'
E = 22.48'
S.E. = 0.21%
For Quantities See Sht. No. 62

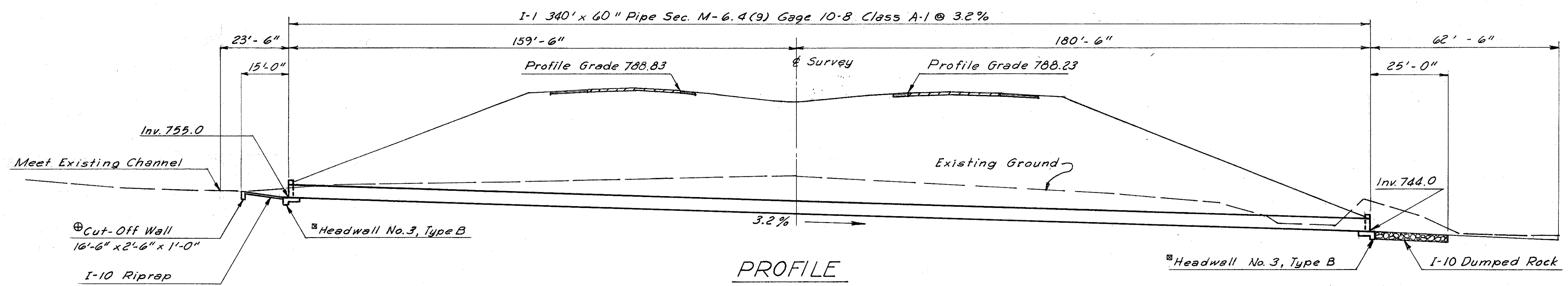
Note:
For 18" Sanitary Sewer
See Sheet No. 37



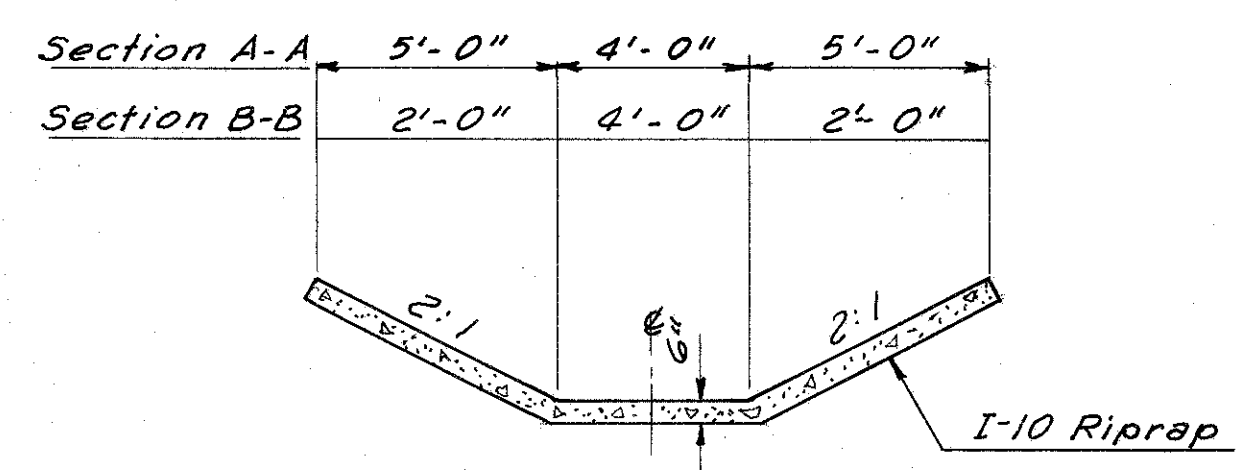
STA. 665-STA 680



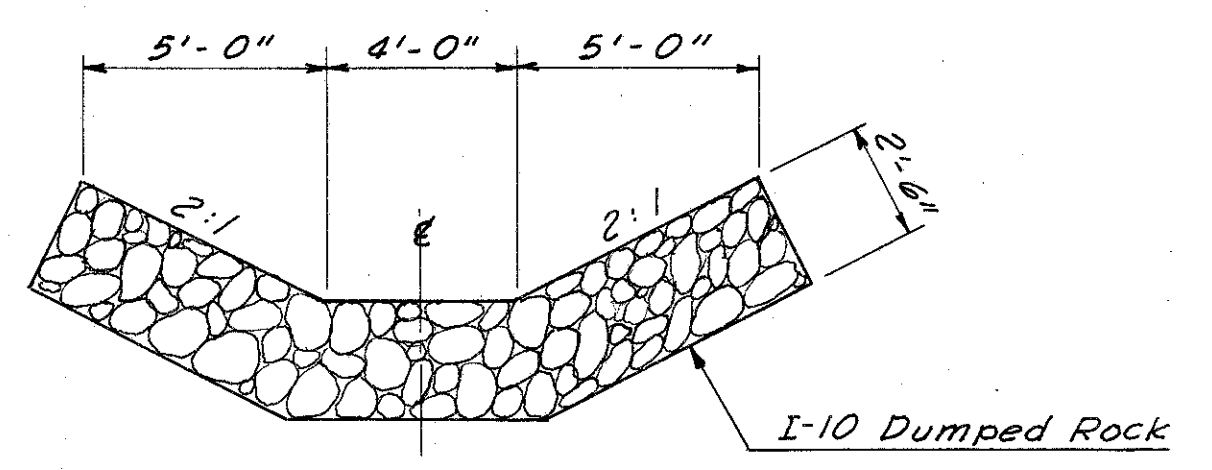
PLAN
Scale: 1" = 20'-0"



PROFILE
Scale: 1" = 20'-0"



SECTIONS A-A, B-B



SECTION C-C
Scale: 1/4" = 1'-0"

ESTIMATED QUANTITIES			
ITEM	DESCRIPTION	QUANTITY	UNIT
I-1	60" Pipe Sec. M-6.4(9) Gage 10-8 Class A-1	340	Lin. Ft.
I-2	Masonry	25.4	Cu. Yds.
I-10	Riprap (Using 6" Rein. Conc. Slabs per Plan)	23	Sq. Yds.
I-10	Dumped Rock Channel Protection	55	Cu. Yds.
L-10	Sodding	7	Sq. Yds.
E-3	Channel Excavation	185	Cu. Yds.

Note: Use Standard Headwall No. 3, Type B, 30° Skew

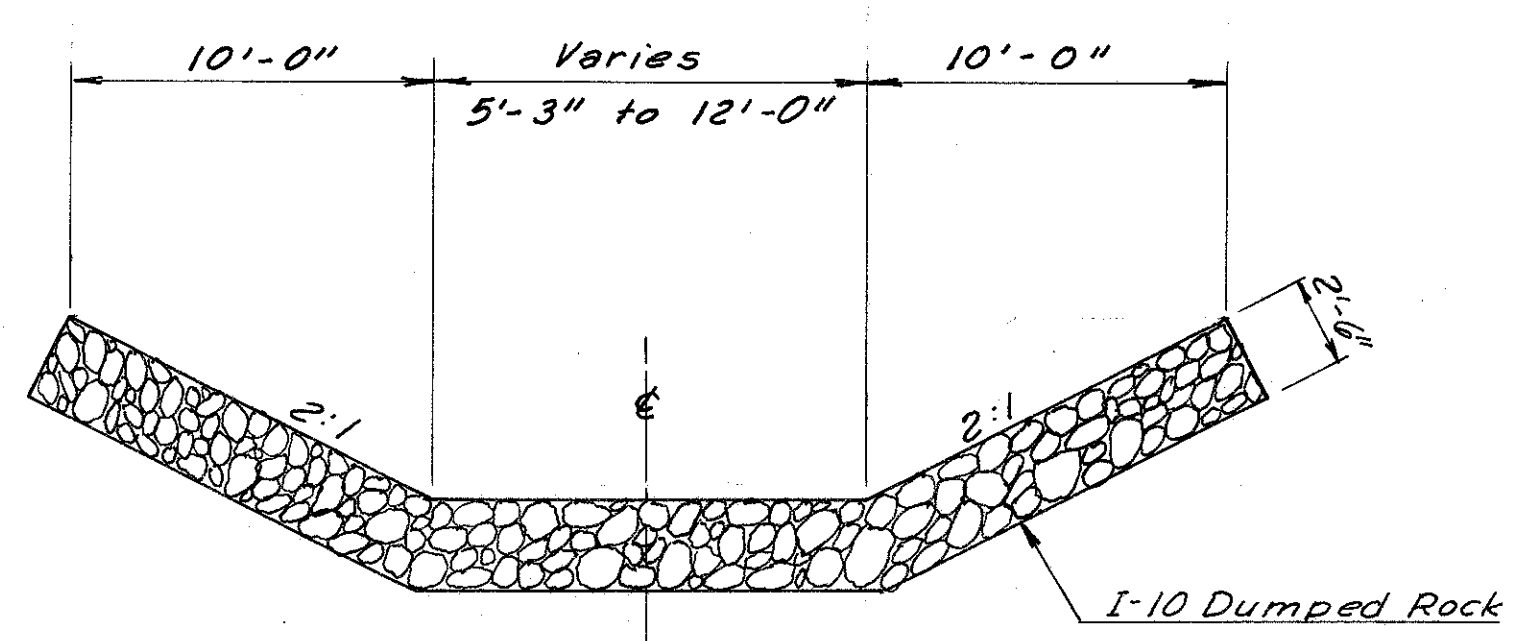
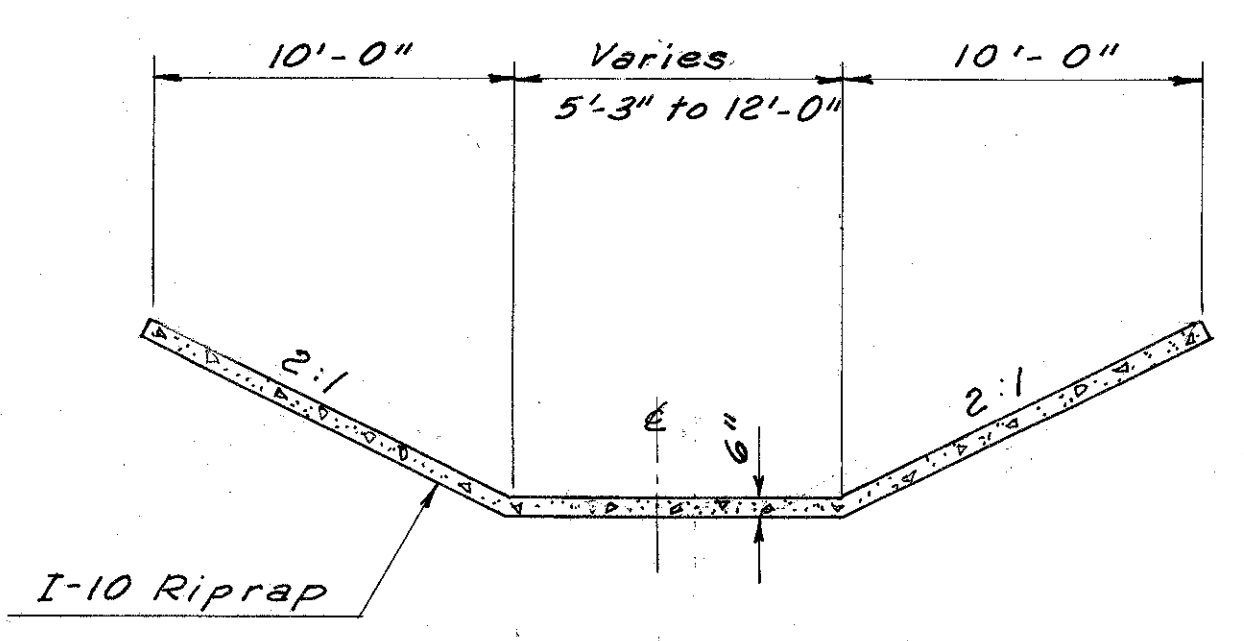
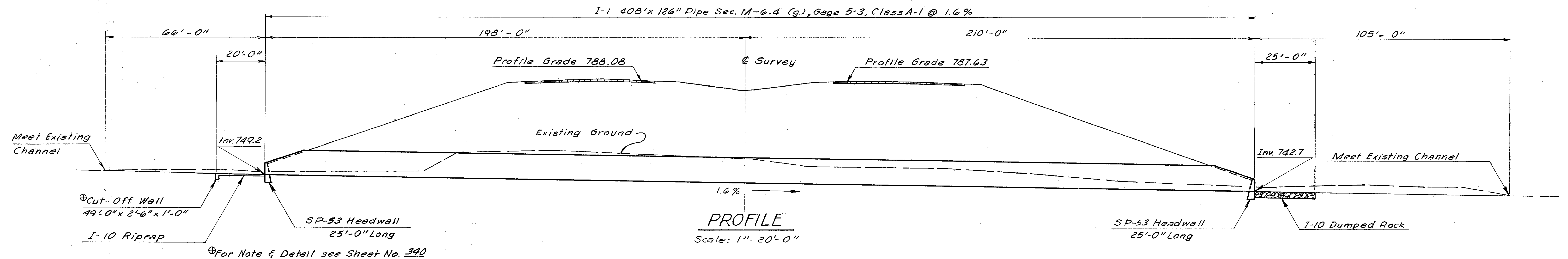
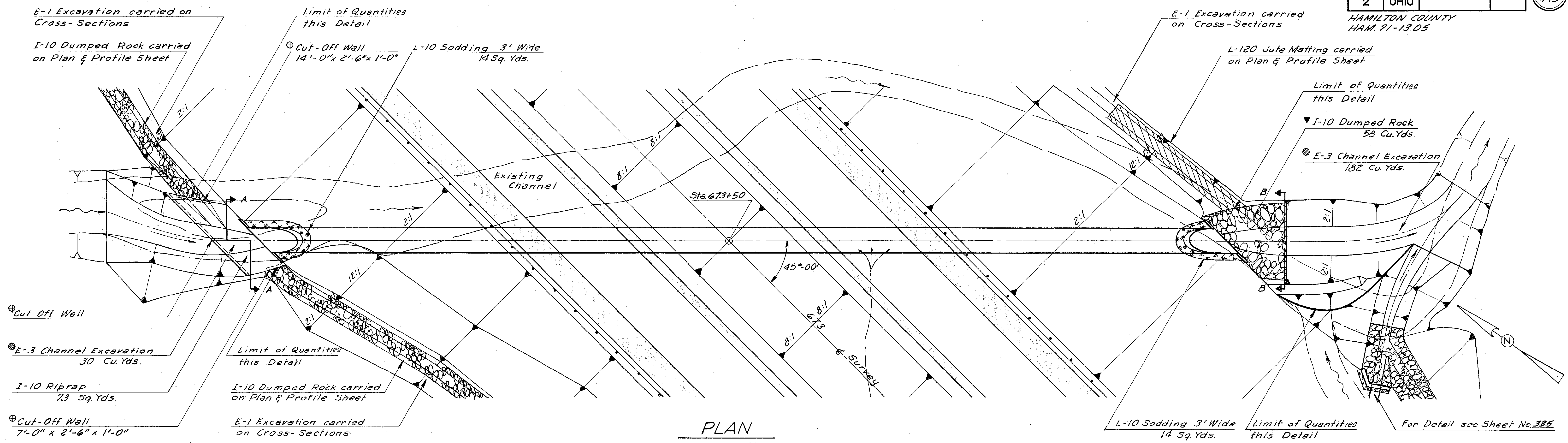
Note: All Dumped Rock Channel Protection Item I-10, used at the Outlet of Culvert shall be uniformly placed so that at least 50 percent of the pieces will weigh at least 75 pounds.

Note: For Channel Cross-Sections see Sht. No. 336

Drainage Area = 78 Acres
Q 50 = 190 c.f.s.

DRAINAGE STRUCTURE STA. 670+10

HAMILTON COUNTY
HAM. 91-13.05



ESTIMATED QUANTITIES			
ITEM	DESCRIPTION	QUANTITY	UNIT
I-1	126" Pipe Sec. M-6.4 (g), Gage 5-3, Class A-1	408	Lin. Ft.
I-2	Masonry	21.6	Cu. Yds.
I-10	Riprap (Using 6" Rien. Conc. Slab as per Plan)	73	Sq. Yds.
I-10	Dumped Rock Channel Protection	58	Cu. Yds.
L-10	Sodding	28	Sq. Yds.
E-3	Channel Excavation	212	Cu. Yds.

Note:
 For Channel Cross-Sections see Sheet No. 338

Note:
 All Dumped Rock Channel Protection, Item I-10, used at the outlet of Culvert shall be uniformly placed so that at least 50 percent of the pieces will weigh at least 75 pounds.

Drainage Area = 750 Acres
 Q 50 = 840 c.f.s.