

**STATE OF OHIO
DEPARTMENT OF TRANSPORTATION**

**HAM-CR614-1.39
NORTHLAND BLVD**

CITY OF SPRINGDALE

HAMILTON COUNTY

FEDERAL PROJECT NUMBER

E220(117)

RAILROAD INVOLVEMENT

NONE

PROJECT DESCRIPTION

REPLACE DETERIORATED CONCRETE PAVEMENT,
REPLACE MAST ARM SIGNAL AT TRI-COUNTY PARKWAY,
ADD SIDEWALKS TO FILL IN EXISTING GAPS, IMPROVE ROADWAY
DRAINAGE, AND ACCESS MANAGEMENT IMPROVEMENTS.

EARTH DISTURBED AREAS

PROJECT EARTH DISTURBED AREA: 11.62 ACRES
ESTIMATED CONTRACTOR EARTH DISTURBED AREA: 0.25 ACRES
NOTICE OF INTENT EARTH DISTURBED AREA: 11.87 ACRES



LOCATION MAP

LATITUDE: 39°16'59.1" N LONGITUDE: 84°28'40.0" W



PORTION TO BE IMPROVED	-----
INTERSTATE HIGHWAY	=====
FEDERAL ROUTES	=====
STATE ROUTES	=====
COUNTY & TOWNSHIP ROADS	=====
OTHER ROADS	-----

DESIGN DESIGNATION

CURRENT ADT (2024)	15,056
DESIGN YEAR ADT (2044)	21,078
DESIGN HOURLY VOLUME (2044)	2,108
DIRECTIONAL DISTRIBUTION	50%
TRUCKS (24 HOUR B&C)	5%
DESIGN SPEED	35 MPH
LEGAL SPEED	35 MPH
DESIGN FUNCTIONAL CLASSIFICATION:	
URBAN MAJOR COLLECTOR	
NHS PROJECT	NO

DESIGN EXCEPTIONS

NONE

ADA DESIGN WAIVERS

NONE

UNDERGROUND UTILITIES
Contact Two Working Days
Before You Dig

OHIO811.org
Before You Dig

OHIO 811, 8-1-1, or 1-800-362-2764
(Non members must be called directly)

PLAN PREPARED BY:

your trusted advisor
consultants → engineers
architects
planners

CT CONSULTANTS, INC.
4420 Cooper Rd Suite 200
Cincinnati, OH 45242

INDEX OF SHEETS:

TITLE SHEET	1
SCHEMATIC PLAN	2
TYPICAL SECTIONS	3-7
GENERAL NOTES	8, 8A, 9
MAINTENANCE OF TRAFFIC	10, 10A, 11-87
GENERAL SUMMARY	88-91, 91A
SUBSUMMARIES	92-104
PROJECT SITE PLAN	105
PLAN AND PROFILE - NORTHLAND BLVD	106-125
PLAN AND PROFILE - OLDE GATE DR. / LANDAN LN.	126
PLAN AND PROFILE - W. KEMPER ROAD	127
CROSS SECTIONS - NORTHLAND BLVD.	128-165
CROSS SECTIONS - LANDAN LANE	166-168
CROSS SECTIONS - W. KEMPER RD	169-172
SUPERELEVATION TABLES	173-174
INTERSECTION DETAILS	175-186
DRIVE DETAILS	187-195
STORM SEWER PROFILES	196-201
DRAINAGE DETAILS	202-203
MEDIAN LANDSCAPING AND GRADING PLANS	204-214
TRAFFIC CONTROL	215-228
TRAFFIC SIGNALS	229-234
GEOTECHNICAL PROFILE - ROADWAY	235-240
WATER WORKS PLANS	241-249
RIGHT OF WAY PLANS	

ENGINEER'S SEAL
TRAFFIC SIGNALS

ENGINEER'S SEAL
ROADWAY

STANDARD CONSTRUCTION DRAWINGS						SUPPLEMENTAL SPECIFICATIONS	SPECIAL PROVISIONS
BP-3.1	1/19/24	RM-1.1	1/20/23	TC-42.20	10/18/13	800-2023	1/19/24
BP-4.1	7/19/13			TC-52.10	10/18/13	809	1/19/24
BP-5.1	7/15/22	MT-95.30	7/19/19	TC-52.20	1/15/21	813	7/21/23
BP-7.1	7/21/23	MT-95.31	7/19/19	TC-65.10	1/17/14	832	7/21/23
		MT-95.32	4/19/19	TC-65.11	1/19/24	839	7/16/21
CB-3	7/16/21	MT-95.70	1/17/20	TC-71.10	4/21/23		
CB-3A	7/16/21	MT-99.20	4/19/19	TC-74.10	7/21/23	904	7/15/22
CB-6	1/21/22	MT-101.60	1/17/20	TC-81.22	7/21/23	909	1/19/24
		MT-105.10	1/17/20	TC-83.10	1/17/20	913	4/16/21
DM-1.1	7/17/20	MT-110.10	7/19/13	TC-83.20	1/19/24		
DM-1.2	7/16/21			TC-85.10	1/19/24	1120	7/15/22
DM-4.4	1/15/16	TC-21.21	1/20/23	TC-85.20	4/21/23		
		TC-41.20	10/18/13				
LA-1.2	1/16/09	TC-41.30	4/21/23	WQ-1.2	1/15/16		
		TC-41.40	10/18/13				
MH-3	1/19/24	TC-41.50	10/18/13				

2023 SPECIFICATIONS

THE STANDARD SPECIFICATIONS OF THE STATE OF OHIO, DEPARTMENT OF TRANSPORTATION, INCLUDING SUPPLEMENTAL SPECIFICATIONS LISTED IN THE PLANS AND CHANGES LISTED IN THE PROPOSAL SHALL GOVERN THIS IMPROVEMENT.

I HEARBY APPROVE THESE PLANS AND DECLARE THAT THE MAKING OF THIS IMPROVEMENT WILL NOT REQUIRE THE CLOSING OF TRAFFIC OF THE HIGHWAY, EXCEPT FOR THE SIDE ROADS AS DESCRIBED ON SHEETS 12-14 AND THAT PROVISIONS FOR THE MAINTENANCE OF TRAFFIC AND SAFETY OF TRAFFIC WILL BE AS SET FORTH ON THE PLANS AND ESTIMATES.

Tammy K. Campbell
Tammy K. Campbell, P.E.
08

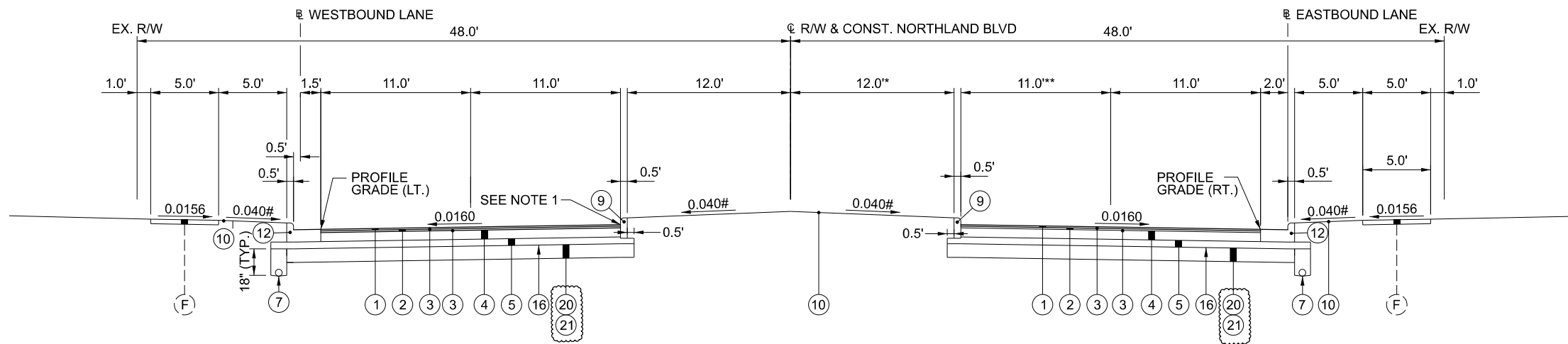
Jack Marchbanks
Jack Marchbanks, PhD
Director, Department of Transportation

TITLE SHEET

DESIGN AGENCY	
DESIGNER	EJT
REVIEWER	BF 12/08/23
PROJECT ID	114475
SHEET	TOTAL
1	249

HAM-CR614-1.39

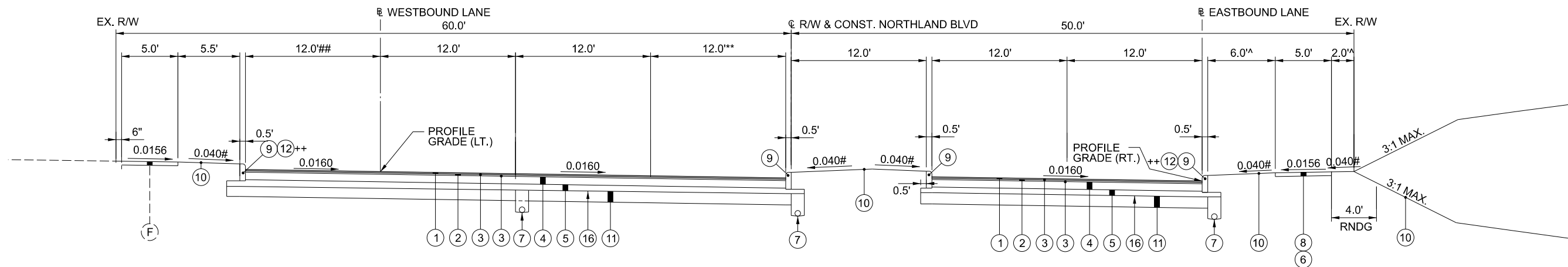
MODEL: Sheet: PAPERSIZE: 17x11 (in.) DATE: 5/6/2024 TIME: 2:59:15 PM USER: troyer
H:\2020\00679\114475\400-Engineering\Roadway\Sheets\114475_GT001.dgn



PROPOSED NORMAL SECTION
 STA. 78+37.12 TO STA. 80+34.56 LT
 STA. 78+40.00 TO STA. 80+34.56 RT

* VARIES 12.0' TO 0.0' FROM STA. 78+40 TO STA. 78+90.
 0.0' FROM STA. 78+90 TO STA. 80+34.56

** VARIES 11.0' TO 23.0' FROM STA. 78+40 TO STA. 78+90.
 23.0' FROM STA. 78+90 TO STA. 80+34.56



PROPOSED NORMAL SECTION
 STA. 81+16.89 TO STA. 84+50.00

** 12.0' FROM STA. 81+16.89 TO STA. 83+00
 VARIES FROM 12.0' TO 0.0' FROM STA. 83+00 TO STA. 83+50

12.0' FROM STA. 81+16.89 TO STA. 84+00
 VARIES FROM 12.0' TO 0.0' FROM STA. 84+00 TO STA. 84+50

++ CONC. CURB AND GUTTER FROM STA. 81+16.89 TO STA. 81+52.00 LT
 (ALIGNED WITH FACE OF CURB)

^ TYPICAL AND VARIES
 # VARIES, SEE CROSS SECTIONS

++ CONC. CURB AND GUTTER FROM STA. 81+16.89 TO STA. 81+60.00 RT
 (ALIGNED WITH FACE OF CURB)

LEGEND

- | | |
|---|---|
| ① ITEM 441 - 1.25" ASPHALT CONCRETE SURFACE, TYPE 1, (448), PG64-22 | ⑫ ITEM 609 - COMBINATION CURB AND GUTTER, TYPE 2 (T=10.75") |
| ② ITEM 441 - 1.5" ASPHALT CONCRETE INTERMEDIATE COURSE, TYPE 2, (448) | ⑬ ITEM 441 - 3.25" ASPHALT CONCRETE INTERMEDIATE COURSE, TYPE 2 |
| ③ ITEM 407 - NON-TRACKING TACK COAT | ⑭ ITEM 609 - CURB, TYPE 2A, AS PER PLAN |
| ④ ITEM 301 - 8" ASPHALT CONCRETE BASE, (449), PG64-22 (2 - 4" LIFTS) | ⑮ ITEM 452 - NON-REINFORCED CONCRETE PAVEMENT, MISC.: 11" THICK, CLASS QC |
| ⑤ ITEM 304 - 6" AGGREGATE BASE (2 - 3" LIFTS) | ⑯ ITEM 204 - PROOF ROLLING |
| ⑥ ITEM 204 - SUBGRADE COMPACTION | ⑰ ITEM 452 - NON-REINFORCED CONCRETE PAVEMENT, MISC., 9" THICK, CLASS QC |
| ⑦ ITEM 605 - 6" BASE PIPE UNDERDRAIN | ⑱ ITEM 609 - CURB, TYPE 10 |
| ⑧ ITEM 608 - 5" CONCRETE WALK | ⑲ ITEM 203 - EXCAVATION AND EMBANKMENT |
| ⑨ ITEM 609 - CURB, TYPE 6 | ⑳ ITEM 204 - EXCAVATION SUBGRADE (T=12") |
| ⑩ ITEM 659 - SEEDING AND MULCHING | ㉑ ITEM 204 - GRANULAR EMBANKMENT TYPE C (T=12") |
| ⑪ ITEM 206 - CEMENT STABILIZED SUBGRADE (T=12") | |

NOTES

- PAVEMENT ROTATED ABOUT OUTSIDE EDGE OF PAVEMENT
- SEAL ALL EDGES OF PAVEMENT PER CITY OF SPRINGDALE STANDARDS (TYP.)
- ITEM 407 - NON-TRACKING TACK COAT IS TO BE PLACED BETWEEN LIFTS OF ITEM 301



ITEM 204 SUBGRADE COMPACTION AND PROOF ROLLING

CONSTRUCT THE SUBGRADE AS FOLLOWS AND IN THE FOLLOWING SEQUENCE:

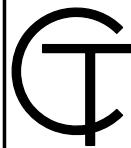
1. SHAPE THE SUBGRADE TO WITHIN 0.2 FEET OF THE PLAN SUBGRADE ELEVATION.
2. EXCAVATE AND REPLACE UNSUITABLE SUBGRADE BEFORE PROOF ROLLING. THE EXCAVATION LIMITS ARE SHOWN AND LABELED ON THE CROSS SECTIONS AS UNSUITABLE SUBGRADE. UNSUITABLE SUBGRADE INCLUDES UNSUITABLE SOIL (A-4B, A-2-5, A-5, A-7-5, AND SOIL WITH A LIQUID LIMIT GREATER THAN 65) AND ANY COAL, SHALE, OR ROCK WHICH NEEDS TO BE REMOVED ACCORDING TO SECTION 204.05 OF THE CONSTRUCTION AND MATERIAL SPECIFICATIONS (C&MS).

IF THERE IS UNSUITABLE SUBGRADE IN A SHALLOW FILL LOCATION, EXCAVATE AND REPLACE THE UNSUITABLE SUBGRADE BEFORE CONSTRUCTING THE SHALLOW FILL AND SHAPING THE SUBGRADE.
3. COMPACT THE SUBGRADE ACCORDING TO C&MS 204.03.
4. APPROXIMATE LIMITS FOR EXCAVATION OF UNSTABLE SUBGRADE ARE SHOWN AND LABELED ON THE CROSS SECTIONS AS UNSTABLE SUBGRADE. THE ENGINEER WILL IDENTIFY THE ACTUAL LIMITS OF EXCAVATION FOR UNSTABLE SUBGRADE BASED ON THE PROOF ROLLING RESULTS AND VISUAL OBSERVATIONS.

PROOF ROLL THE COMPACTED SUBGRADE ACCORDING TO C&MS 204.06.
5. EXCAVATE UNSTABLE SUBGRADE AS DIRECTED BY THE ENGINEER AND STABILIZE BY REPLACING WITH THE SPECIFIED MATERIALS ACCORDING TO C&MS 204.07. EXCAVATIONS WILL EXTEND 18 INCHES BEYOND THE EDGE OF THE SURFACE OF THE PAVEMENT, PAVED SHOULDERS, OR PAVED MEDIANS.
6. PROOF ROLL THE STABILIZED AREAS ACCORDING TO C&MS 204.06 TO VERIFY STABILITY.
7. FINE GRADE THE SUBGRADE TO THE SPECIFIED GRADE. THE QUANTITIES FOR EXCAVATING THE UNSUITABLE SUBGRADE AND UNSTABLE SUBGRADE ARE BOTH PAID UNDER ITEM 204, EXCAVATION OF SUBGRADE.

GENERAL NOTES

DESIGN AGENCY



DESIGNER
EJT

REVIEWER
BF 12/08/23

PROJECT ID
114475

SHEET TOTAL
8A 249

WORK ZONE MARKINGS AND SIGNS

THE FOLLOWING ESTIMATED QUANTITIES HAVE BEEN CARRIED TO THE GENERAL SUMMARY FOR USE AT LOCATIONS IDENTIFIED BY THE ENGINEER FOR WORK ZONE PAVEMENT MARKINGS PER THE REQUIREMENTS OF C&MS 614.11. MARKINGS SHALL BE APPLIED AFTER PLACEMENT OF THE SURFACE COURSE PRIOR TO THE FINAL PAVEMENT MARKINGS BEING APPLIED:

ITEM 614, WORK ZONE LANE LINE, CLASS III, 4", 642 PAINT	1.66 MILE
ITEM 614, WORK ZONE CENTER LINE, CLASS III, 642 PAINT	0.01 MILE
ITEM 614, WORK ZONE CHANNELIZING LINE, CLASS III, 8", 642 PAINT	1,865 FT
ITEM 614, WORK ZONE STOP LINE, CLASS III, 642 PAINT	361 FT
ITEM 614, WORK ZONE DOTTED LINE, CLASS III, 4", 642 PAINT	110 FT
ITEM 614, WORK ZONE DOTTED LINE, CLASS III, 8", 642 PAINT	257 FT
ITEM 614, WORK ZONE CROSSWALK LINE, CLASS III, 12", 642 PAINT	1,460 FT
ITEM 614, WORK ZONE ARROW, CLASS III, 642 PAINT	31 EACH

ITEM 615 PAVEMENT FOR MAINTAINING TRAFFIC, CLASS B, AS PER PLAN

IN ADDITION TO THE REQUIREMENTS OF 615, THIS ITEM SHALL INCLUDE THE REMOVAL OF EXISTING MEDIAN CURB ADJACENT TO THE TEMPORARY PAVEMENT AND ALL ITEMS WITHIN THE MEDIAN BETWEEN THE CURBS AND THE RESTORATION OF THE NORTHLAND BLVD MEDIAN BETWEEN STA. 76+87 TO STA. 78+40 TO ITS ORIGINAL CONDITION AND RESTRIPIING THE EXISTING PAVEMENT BETWEEN STA. 73+00 TO STA. 78+40 TO ITS ORIGINAL STRIPING PATTERN. THE FOLLOWING ESTIMATED QUANTITIES FOR THIS ADDITIONAL WORK ARE TO BE USED FOR INFORMATIONAL PURPOSES ONLY:

ITEM 201 CLEARING AND GRUBBING	LUMP
ITEM 202 CURB REMOVED	320 FT
ITEM 202 PULL BOX REMOVED, AS PER PLAN	1 EACH
ITEM 202 REMOVAL MISC.: DECORATIVE BRICK	140 SY
ITEM 202 REMOVAL MISC.: METER ASSEMBLY	1 EACH
ITEM 202 REMOVAL MISC.: SIGN ON METAL POLE	1 EACH
ITEM 202 REMOVAL MISC.: SIGN FOUNDATION	1 EACH
REMOVED	1 EACH
ITEM 203 EXCAVATION	250 CY
ITEM 203 EMBANKMENT	250 CY
ITEM 609 CURB, TYPE 6	320 FT
ITEM 638 WATER WORK MISC.: MANHOLE ADJUST TO GRADE	4 EACH
ITEM 642 REMOVAL OF PAVEMENT MARKING	1 EACH
ITEM 642 REMOVAL OF PAVEMENT MARKING	320 FT
ITEM 644 LANE LINE, 4"	0.21 MILE
ITEM 661 DECIDUOUS SHRUB, 2' HEIGHT	12 EACH
ITEM 662 LANDSCAPE WATERING	50 GAL

CLEARING AND GRUBBING SHALL INCLUDE ALL EXISTING SHRUBS.

THE PULL BOX SHALL BE REMOVED AND ANY ELECTRICAL WIRES LEADING INTO THE PULL BOX SHALL BE CAPPED PRIOR TO CONSTRUCTION OF THE TEMPORARY PAVEMENT. DURING RESTORATION, A NEW PULL BOX SHALL BE INSTALLED AND ALL ELECTRICAL WIRES SHALL BE RECONNECTED.

THE DECORATIVE BRICK SHALL BE CAREFULLY REMOVED AND STORED PRIOR TO CONSTRUCTION OF THE TEMPORARY PAVEMENT. DURING RESTORATION, THE DECORATIVE BRICK SHALL BE PLACED IN THE PRE-CONSTRUCTION ARRANGEMENT.

THE METER ASSEMBLY SHALL BE DISCONNECTED AND STORED PRIOR TO CONSTRUCTION OF THE TEMPORARY PAVEMENT. DURING RESTORATION, THE METER ASSEMBLY SHALL BE PLACED AND ALL CONNECTIONS RESTORED.

THE FOREST PARK SIGN ON THE METAL POLE SHALL BE CAREFULLY REMOVED AND STORED PRIOR TO CONSTRUCTION OF THE TEMPORARY PAVEMENT. AFTERWARDS, THE CONCRETE FOUNDATION SHALL BE REMOVED. DURING RESTORATION, A NEW CONCRETE FOUNDATION SHALL BE PLACED AND THE EXISTING METAL POLE SHALL BE REATTACHED TO THE NEW FOUNDATION.

THE TWO WATER MANHOLES SHALL BE ADJUSTED TO GRADE (LOWERED) PRIOR TO CONSTRUCTION OF THE TEMPORARY PAVEMENT. DURING RESTORATION, THE TWO WATER MANHOLES SHALL AGAIN BE ADJUSTED TO GRADE (RAISED).

ALL OF THE ELECTRICAL AND WATER WORK ITEMS SHALL BE RESTORED TO GOOD WORKING CONDITIONS AND MUST MEET THE APPROVAL OF THE ENGINEER.



SHEET NUM.												PART. 01/MPO/ 04/SPR	ITEM	ITEM EXT	GRAND TOTAL	UNIT	DESCRIPTION	SEE SHEET NO.	
8	92	93	94	97	98	100	101	102	103	104	105								
												LS	201	11000	LS	ROADWAY			
												LS	201	11000	LS	CLEARING AND GRUBBING			
	12,801	12,218	695	30	3,311							29,055	202	23000	29,055	SY	PAVEMENT REMOVED		
				10,825								10,825	202	30000	10,825	SF	WALK REMOVED		
	7,807	7,624	369									15,800	202	32000	15,800	FT	CURB REMOVED		
				3,334								3,334	202	35100	3,334	FT	PIPE REMOVED, 24" AND UNDER		
				13								13	202	58000	13	EACH	MANHOLE REMOVED		
				44								44	202	58300	44	EACH	CATCH BASIN OR INLET REMOVED		
				1								1	202	98100	1	EACH	REMOVAL MISC.:CONCRETE FOUNDATION	106	
				13								13	202	98100	13	EACH	REMOVAL MISC.:BOULDER	118	
				142								142	202	98200	142	FT	REMOVAL MISC.:TRENCH DRAIN	118, 120	
750												750	202	98200	750	FT	REMOVAL MISC.:ROCK EXCAVATION FOR CONDUIT INSTALLATION	8	
				91								91	202	98400	91	SF	REMOVAL MISC.:REMOVE BRICK PAVERS	106	
				476								476	202	98400	476	SF	REMOVAL MISC.:REMOVE AND REINSTALL BRICK PAVERS	106	
												21,652	203	10000	21,652	CY	EXCAVATION		
												253	203	20000	253	CY	EMBANKMENT		
				13,743	3,271							17,014	204	10000	17,014	SY	SUBGRADE COMPACTION		
	207	234										441	204	13000	441	CY	EXCAVATION OF SUBGRADE (T=12")		
	207	234										441	204	30020	441	CY	GRANULAR MATERIAL, TYPE C (T=12")		
16												16	204	45000	16	HOUR	PROOF ROLLING		
	13,701	13,228	261									27,190	206	15010	27,190	SY	CEMENT STABILIZED SUBGRADE, 12 INCHES DEEP		
												738	206	10500	738	TON	CEMENT		
												28,513	206	11000	28,513	SY	CURING COAT		
												LS	206	30000	LS		MIXTURE DESIGN FOR CHEMICALLY STABILIZED SOILS		
				24,859								24,859	608	12000	24,859	SF	5" CONCRETE WALK		
				82								82	608	15000	82	SF	8" CONCRETE WALK		
				1,342								1,342	608	52000	1,342	SF	CURB RAMP		
				121								121	608	53020	121	SF	DETECTABLE WARNING		
				30								30	609	96000	30	SY	MEDIAN, MISC.:DECORATIVE COLORED CONCRETE (5")	9	
												105	SPECIAL	69065016	105	TON	WORK INVOLVING PETROLEUM CONTAMINATED SOIL	9	
												EROSION CONTROL							
2												2	659	00100	2	EACH	SOIL ANALYSIS TEST		
14,890												14,890	659	00500	14,890	SY	SEEDING AND MULCHING, CLASS 1		
1.34												1.34	659	20000	1.34	TON	COMMERCIAL FERTILIZER		
3.08												3.08	659	31000	3.08	ACRE	LIME		
0.08												0.08	659	35000	0.08	MGAL	WATER		
												LS	832	15000	LS		STORM WATER POLLUTION PREVENTION PLAN		
												LS	832	15002	LS		STORM WATER POLLUTION PREVENTION INSPECTIONS		
												LS	832	15010	LS		STORM WATER POLLUTION PREVENTION INSPECTION SOFTWARE		
												135,000	832	30000	135,000	EACH	EROSION CONTROL		
												DRAINAGE							
												9,064	605	14020	9,064	FT	6" BASE PIPE UNDERDRAINS WITH GEOTEXTILE FABRIC		
												500	611	00510	500	FT	6" CONDUIT, TYPE F FOR UNDERDRAIN OUTLETS		
				847	503	757							2,107	611	04400	2,107	FT	12" CONDUIT, TYPE B	
				224	469	245	84						1,022	611	04600	1,022	FT	12" CONDUIT, TYPE C	
				42	120	71						233	611	05900	233	FT	15" CONDUIT, TYPE B		
				449	50	221						720	611	06100	720	FT	15" CONDUIT, TYPE C		
				36	106	218	50						410	611	07400	410	FT	18" CONDUIT, TYPE B	
					121	169	232						522	611	07600	522	FT	18" CONDUIT, TYPE C	
						45							45	611	08900	45	FT	21" CONDUIT, TYPE B	
				217	236	317							770	611	97010	770	FT	SLOTTED DRAIN, TYPE 2 (12")	
				7	4	4						15	611	98150	15	EACH	CATCH BASIN, NO. 3		
				4	3	1	1						9	611	98151	9	EACH	CATCH BASIN, NO. 3, AS PER PLAN	202
				11	12	9	3						35	611	98180	35	EACH	CATCH BASIN, NO. 3A	
				6	7	6							19	611	98181	19	EACH	CATCH BASIN, NO. 3A, AS PER PLAN	203
				1	5								6	611	98370	6	EACH	CATCH BASIN, NO. 6	
				2	2	2	1						7	611	98470	7	EACH	CATCH BASIN, NO. 2-2B	

GENERAL SUMMARY

DESIGN AGENCY

 DESIGNER
BAG
 REVIEWER
 BF 12/08/23
 PROJECT ID
 114475
 SHEET TOTAL
 88 | 249

SHEET NUM.														PART.	ITEM	ITEM	GRAND	UNIT	DESCRIPTION	SEE SHEET NO.	
10	92	93	94	97	98	99	100	101	102	103	215	216	217	218	01/MPO/04/SPR	EXT	TOTAL				
DRAINAGE (CONT.)																					
										65					65	611	99500	65	EACH	INLET, MISC.: CURB INLET	8
							5	4	7	2					18	611	99574	18	EACH	MANHOLE, NO. 3	
								1							1	611	99582	1	EACH	MANHOLE, NO. 3 WITH 90" BASE I.D. AND 8" WEIR	
										1					1	611	99586	1	EACH	MANHOLE, NO. 3 WITH 108" BASE I.D. AND 12" WEIR	
							3	2	1						6	611	99654	6	EACH	MANHOLE ADJUSTED TO GRADE	
								1	2						3	611	99660	3	EACH	MANHOLE RECONSTRUCTED TO GRADE	
							35		146						181	839	30100	181	FT	TRENCH DRAIN, TYPE B WITH PEDESTRIAN GRATE	
								1							1	895	10020	1	EACH	MANUFACTURED WATER QUALITY STRUCTURE, TYPE 2	
										1					1	895	10040	1	EACH	MANUFACTURED WATER QUALITY STRUCTURE, TYPE 4	
PAVEMENT																					
	168	316	150		1,216										1,850	252	01500	1,850	FT	FULL DEPTH PAVEMENT SAWING	
	2,877	2,779	157												5,813	301	56000	5,813	CY	ASPHALT CONCRETE BASE, PG64-22, (449), PG64-22	
	2,387	2,322	168	301	301										5,479	304	20000	5,479	CY	AGGREGATE BASE	
	1,553	1,500	85	155	81										3,374	407	20000	3,374	GAL	NON-TRACKING TACK COAT	
	449	434		64	47										994	441	50000	994	CY	ASPHALT CONCRETE SURFACE COURSE, TYPE 1, (448), PG64-22	
	540	521		164	66										1,291	441	50300	1,291	CY	ASPHALT CONCRETE INTERMEDIATE COURSE, TYPE 2, (448)	
			47												47	441	70500	47	CY	ASPHALT CONCRETE SURFACE COURSE, TYPE 1, (449), (DRIVEWAYS)	
			66												66	441	70700	66	CY	ASPHALT CONCRETE INTERMEDIATE COURSE, TYPE 2, (449), (DRIVEWAYS)	
					1,921										1,921	452	13040	1,921	SY	9" NON-REINFORCED CONCRETE PAVEMENT, CLASS QC MS	
			261												261	452	19200	261	SY	NON-REINFORCED CONCRETE PAVEMENT, MISC.: 9" THICK, CLASS QC	4, 7
	401	888													1,289	452	19200	1,289	SY	NON-REINFORCED CONCRETE PAVEMENT, MISC.: 11" THICK, CLASS QC	4, 7
	231	139													370	609	12000	370	FT	COMBINATION CURB AND GUTTER, TYPE 2	
	302	678													980	609	14001	980	FT	CURB, TYPE 2-A, AS PER PLAN	8
	7,068	6,676	386	436	44										14,610	609	26000	14,610	FT	CURB, TYPE 6	
	202	259	500												961	609	33000	961	FT	CURB, TYPE 10	
															LS	SPECIAL	90017000	LS		CONSULTANT FOR CONCRETE QUALITY CONTROL INCLUDING TESTING AND INSPECTION	9
SANITARY SEWER																					
6						14									20	611	99654	20	EACH	MANHOLE ADJUSTED TO GRADE	
ELECTRICAL																					
						50									50	625	25409	50	FT	CONDUIT, 2", 725.051, AS PER PLAN (PVC)	112
						2									2	625	31510	2	EACH	PULL BOX REMOVED	
						3									3	625	31600	3	EACH	PULL BOX, MISC.: PULLBOX ADJUSTED TO GRADE	8
OTHER UTILITIES																					
						3									3	SPECIAL	61199700	3	EACH	GAS VALVE BOX ADJUSTED TO GRADE	8
TRAFFIC CONTROL																					
											1.14	0.52			1.66	644	00200	1.66	MILE	LANE LINE, 4"	
											0.0	0.01			0.01	644	00300	0.01	MILE	CENTER LINE	
											1,019	846			1,865	644	00400	1,865	FT	CHANNELIZING LINE, 8"	
											205	156			361	644	00500	361	FT	STOP LINE	
											1,031	429			1,460	644	00620	1,460	FT	CROSSWALK LINE, 12"	
											17	14			31	644	01300	31	EACH	LANE ARROW	
												110			110	644	01500	110	FT	DOTTED LINE, 4"	
												257			257	644	01514	257	FT	DOTTED LINE, 8"	
													278	421	699	630	03100	699	FT	GROUND MOUNTED SUPPORT, NO. 3 POST	
														40	630	08520	40	FT	STREET NAME SIGN SUPPORT, NO. 3 POST		
														3	630	08600	3	EACH	SIGN POST REFLECTOR		
													89	111	200	630	80100	200	SF	SIGN, FLAT SHEET	
													5	6	11	630	80500	11	EACH	SIGN, DOUBLE FACED, STREET NAME	

GENERAL SUMMARY

DESIGN AGENCY

 DESIGNER
 BAG
 REVIEWER
 BF 12/08/23
 PROJECT ID
 114475
 SHEET TOTAL
 89 249

SHEET NUM.										PART.	ITEM	ITEM	GRAND	UNIT	DESCRIPTION	SEE SHEET NO.
10	10A	24		241						01/MPO/ 04/SPR	EXT	TOTAL				
MAINTENANCE OF TRAFFIC																
										6	611	99654	6	EACH	MANHOLE ADJUSTED TO GRADE	
										300	614	11110	300	HOUR	LAW ENFORCEMENT OFFICER WITH PATROL CAR FOR ASSISTANCE	
										100	614	13000	100	CY	ASPHALT CONCRETE FOR MAINTAINING TRAFFIC	
										24	614	18601	24	SNMT	PORTABLE CHANGEABLE MESSAGE SIGN, AS PER PLAN	10
		0.32								0.32	614	20100	0.32	MILE	WORK ZONE LANE LINE, CLASS I, 4", 642 PAINT	
	1.66									1.66	614	20550	1.66	MILE	WORK ZONE LANE LINE, CLASS III, 4", 642 PAINT	
		1.66								1.66	614	21000	1.66	MILE	WORK ZONE CENTER LINE, CLASS I	
	0.01									0.01	614	21550	0.01	MILE	WORK ZONE CENTER LINE, CLASS III, 642 PAINT	
		5.1								5.1	614	22110	5.1	MILE	WORK ZONE EDGE LINE, CLASS I, 6", 642 PAINT	
										3,613	614	23210	3,613	FT	WORK ZONE CHANNELIZING LINE, CLASS I, 12", 642 PAINT	
	1,865									1,865	614	23680	1,865	FT	WORK ZONE CHANNELIZING LINE, CLASS III, 8", 642 PAINT	
		1,494								1,494	614	24208	1,494	FT	WORK ZONE DOTTED LINE, CLASS I, 12", 642 PAINT	
	110									110	614	24610	110	FT	WORK ZONE DOTTED LINE, CLASS III, 4", 642 PAINT	
	257									257	614	24614	257	FT	WORK ZONE DOTTED LINE, CLASS III, 8", 642 PAINT	
										471	614	26200	471	FT	WORK ZONE STOP LINE, CLASS I, 642 PAINT	
	361									361	614	26610	361	FT	WORK ZONE STOP LINE, CLASS III, 642 PAINT	
		80								80	614	27050	80	FT	WORK ZONE CROSSWALK LINE, CLASS I, 12", 642 PAINT	
	1,460									1,460	614	27250	1,460	FT	WORK ZONE CROSSWALK LINE, CLASS III, 12", 642 PAINT	
										23	614	30200	23	EACH	WORK ZONE ARROW, CLASS I, 642 PAINT	
	31									31	614	30650	31	EACH	WORK ZONE ARROW, CLASS III, 642 PAINT	
										3,595	615	25001	3,595	SY	PAVEMENT FOR MAINTAINING TRAFFIC, CLASS B, AS PER PLAN	10
160										160	616	10000	160	MGAL	WATER	
WATER WORK																
				20						20	503	21101	20	CY	UNCLASSIFIED EXCAVATION, AS PER PLAN, CINCINNATI SPEC 1119 AND 1120	241
				18						18	511	71100	18	CY	CONCRETE, MISC.:CONCRETE, CLASS C, CINCINNATI SPEC 1110	241
				2,680						2,680	513	90000	2,680	LB	STRUCTURAL STEEL, MISC.:REINFORCING STEEL, CINCINNATI SPEC 509	241
				1						1	602	10000	1	CY	BRICK MASONRY, CINCINNATI SPEC 602	241
				1						1	638	98000	1	EACH	WATER WORK, MISC.:HAULING AND INSTALLING FIRE HYDRANT, CINCINNATI SPEC 1112	241
				1						1	638	98000	1	EACH	WATER WORK, MISC.:REMOVING FIRE HYDRANT, CINCINNATI SPEC 1114	241
				1						1	638	98000	1	EACH	WATER WORK, MISC.:FURNISHING AND INSTALLING FIRE HYDRANT EXTENSION, 6" LONG, CINCINNATI SPEC 1115	241
				10						10	638	98000	10	EACH	WATER WORK, MISC.:RESETTING EXISTING VALVE BOXES COMPLETE, CINCINNATI SPEC 1125	241
				5						5	638	98000	5	EACH	WATER WORK, MISC.:FURNISHING AND INSTALLING CURB AND ROADWAY BOX (RENEW), CINCINNATI SPEC 1131	241
				8						8	638	98000	8	EACH	WATER WORK, MISC.:RESETTING EXISTING CURB AND ROADWAY BOX, CINCINNATI SPEC 1132	241
				4						4	638	98000	4	EACH	WATER WORK, MISC.:ADJUST EXISTING VALVE CHAMBER TO GRADE, CINCINNATI SPEC 604	241
				1						1	638	98000	1	EACH	WATER WORK, MISC.:SHEETING AND BRACING ORDERED LEFT IN PLACE, CINCINNATI SPEC 637	241
				188						188	638	98600	188	FT	WATER WORK, MISC.:FURNISHING AND LAYING 6" DUCTILE IRON PIPE AND FITTINGS, CINCINNATI SPEC 1101	241
				175						175	638	98600	175	FT	WATER WORK, MISC.:FURNISHING AND LAYING 8" DUCTILE IRON PIPE AND FITTINGS, CINCINNATI SPEC 1101	241
				44						44	638	98600	44	FT	WATER WORK, MISC.:FURNISHING AND LAYING 12" DUCTILE IRON PIPE AND FITTINGS, CINCINNATI SPEC 1101	241
				50						50	638	98600	50	FT	WATER WORK, MISC.:CHANGING 8" AND UNDER PIPE SEWER, CINCINNATI SPEC 1123	241
				50						50	638	98600	50	FT	WATER WORK, MISC.:CHANGING 10" AND UNDER PIPE SEWER, CINCINNATI SPEC 1123	241
				100						100	638	98600	100	FT	WATER WORK, MISC.:FURNISHING AND INSTALLING 3/4" COPPER SERVICE PIPE WITH AQUASHIELD, CINCINNATI SPEC 1126	241
				96						96	638	98600	96	FT	WATER WORK, MISC.:FURNISHING AND INSTALLING 1" COPPER SERVICE PIPE WITH AQUASHIELD, CINCINNATI SPEC 1126	241
				296						296	638	98600	296	FT	WATER WORK, MISC.:FURNISHING AND INSTALLING 2" COPPER SERVICE PIPE WITH AQUASHIELD, CINCINNATI SPEC 1126	241

GENERAL SUMMARY

DESIGN AGENCY



DESIGNER

BAG

REVIEWER

BF 12/08/23

PROJECT ID

114475

SHEET

91

TOTAL

249

SHEET NUM.

PART.
01/MPO/
04/SPR

ITEM
EXT

ITEM
EXT

GRAND
TOTAL

UNIT

DESCRIPTION

SEE
SHEET
NO.

10

LS

LS

614

11000

LS

24

619

16021

24

MNTH

LS

623

10000

LS

LS

624

10000

LS

MAINTAINING TRAFFIC

FIELD OFFICE, TYPE C, AS PER PLAN

CONSTRUCTION LAYOUT STAKES AND SURVEYING

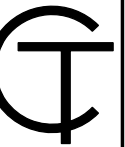
MOBILIZATION

INCIDENTALS

9

GENERAL SUMMARY

DESIGN AGENCY



DESIGNER
BAG


REVIEWER
BF 12/08/23

PROJECT ID
114475

SHEET TOTAL
91A 249

REF NO.	SHEET NO.	STATION TO STATION	SIDE	611																				839	895	895			
				12" CONDUIT, TYPE B	12" CONDUIT, TYPE C	15" CONDUIT, TYPE B	15" CONDUIT, TYPE C	18" CONDUIT, TYPE B	18" CONDUIT, TYPE C	21" CONDUIT, TYPE B	SLOTTED DRAIN, TYPE 2	CATCH BASIN, NO. 3	CATCH BASIN, NO. 3, AS PER PLAN	CATCH BASIN, NO. 3A	CATCH BASIN, NO. 3A, AS PER PLAN	CATCH BASIN, NO. 6	CATCH BASIN, NO. 2-2B	INLET, MISC.: CURB INLET	MANHOLE, NO. 3	MANHOLE, NO. 3 WITH 90" BASE I.D. AND 8" WEIR	MANHOLE, NO. 3 WITH 108" BASE I.D. AND 12" WEIR	MANHOLE ADJUSTED TO GRADE	MANHOLE RECONSTRUCTED TO GRADE	TRENCH DRAIN, TYPE B WITH PEDESTRIAN GRATE	MANUFACTURED WATER QUALITY STRUCTURE, TYPE 2	MANUFACTURED WATER QUALITY STRUCTURE, TYPE 4			
		TO		FT	FT	FT	FT	FT	FT	FT	FT	FT	FT	EACH	EACH	EACH	EACH	EACH	EACH	EACH	EACH	EACH	EACH	EACH	EACH	FT	EACH	EACH	
D310	D312	116	106+31.44										45																
D313	D312	116	106+41.77											1															
D314	D312	116	106+72.56											1															
D312	D316	116	106+74.67									72								1									
D315	D318	118	107+18.08											1															
D318	D316	118	107+55.00																										
D316	D319	118	107+46.02																										
D319	D321	118	108+13.39																										
D323	D321	118	108+64.97																										
D321	D325	118	108+64.97																										
D324	D325	118	109+50.00																										
D326	D325	118	109+76.19																										
D325	D327	118	109+64.63																										
D329	D327	118	110+42.63																										
D327	D330	118	110+33.80																										
D332	D330	118	111+00.00																										
D330	D333	118	111+00.00																										
D333	D334	118	111+70.50																										
SD9		118	107+56.76																										
SD10		118	109+77.97																										
TD2		118	109+71.42																										
TD3		118	111+40.77																										
D414A	D414	120	112+56.13																										
D414	D412	120	113+24.90																										
D413	D412	120	112+99.31																										
D415	D412	120	113+32.00																										
D412	D411	120	113+32.00																										
D-276		120	113+88.97																										
D416	D411	120	114+01.19																										
D411	D410	120	113+99.30																										
D417	D410	120	114+79.95																										
D418	D410	120	114+91.72																										
D410	D409	120	114+91.72																										
D419	D409	120	115+95.79																										
D409	D408	120	116+17.81																										
SD11		120	113+26.68																										
SD12		120	114+02.97																										
TD4		120	116+29.08																										
TOTALS CARRIED TO GENERAL SUMMARY				757	245	71	221	218	169	45	317	4	1	3	9	6	2	7	1	2	146								

DRAINAGE SUB-SUMMARY

DESIGN AGENCY

 DESIGNER: EH
 REVIEWER: BF 12/08/23
 PROJECT ID: 114475
 SHEET: 102 TOTAL: 249