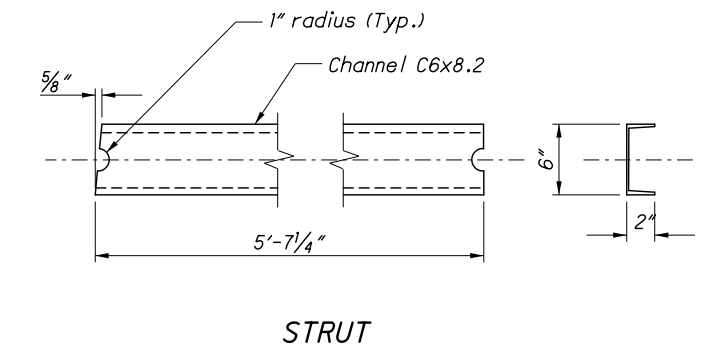
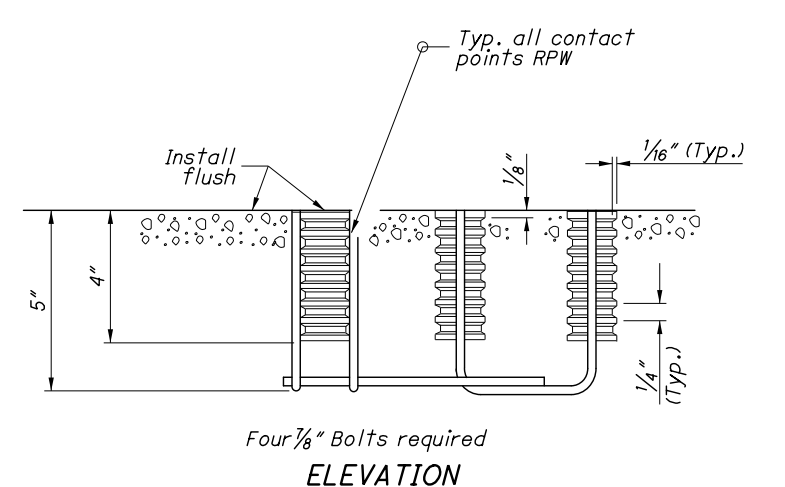
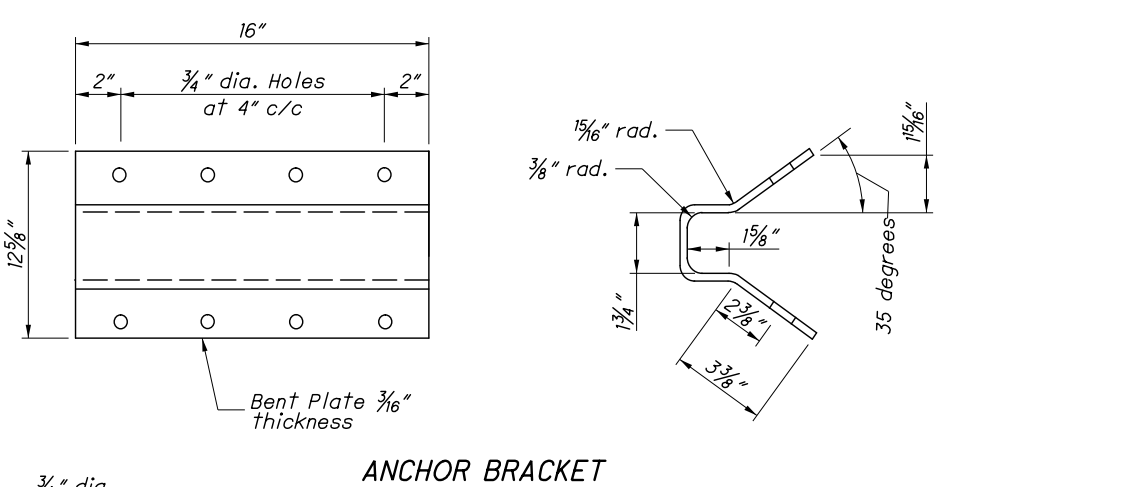
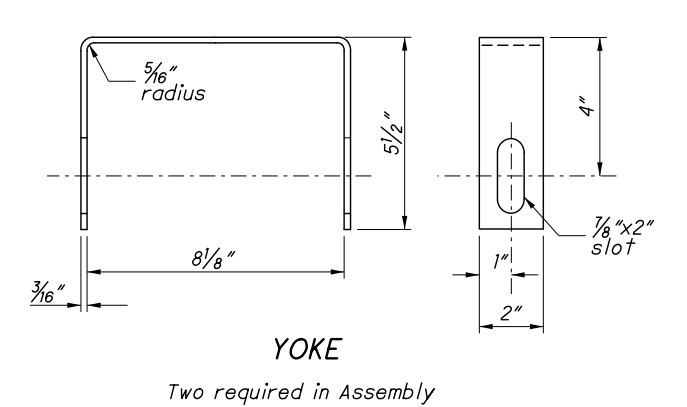
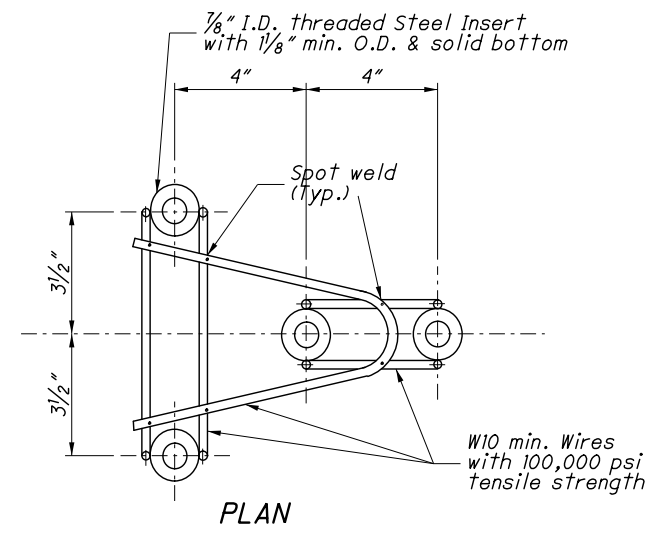
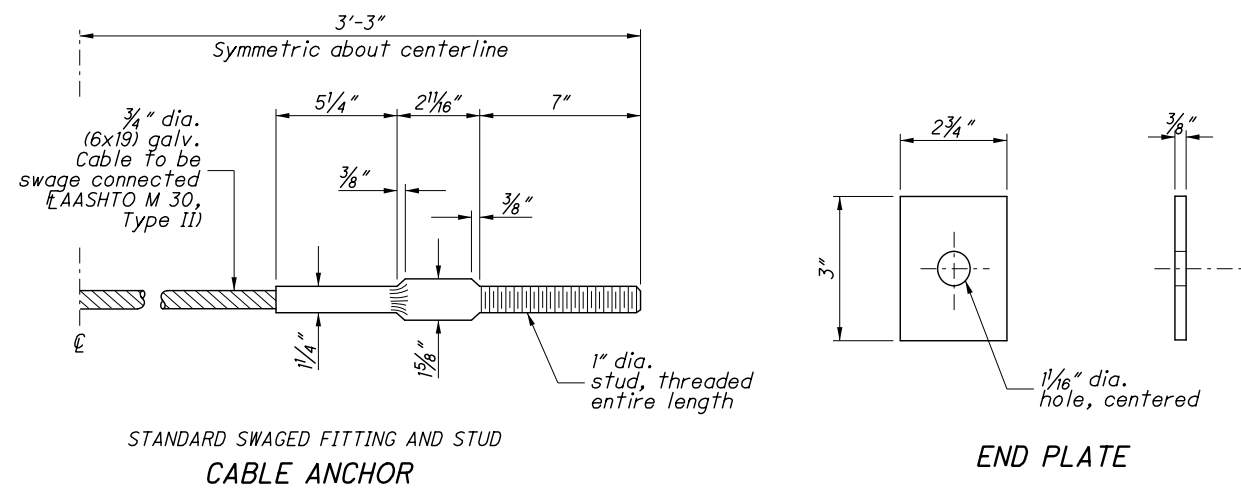


DESIGN FILE: \\projects\88767\roadway\sheet\p1s_gr-1.1.dgn
 MODELNAME: Sheet
 WORKSTATION: goodnig DATE: 8/28/2014



CONCRETE INSERT ANCHOR ASSEMBLY (W-BEAM ONLY)

See ANCHORS and PROTECTIVE COATINGS Notes on Sheet 2

