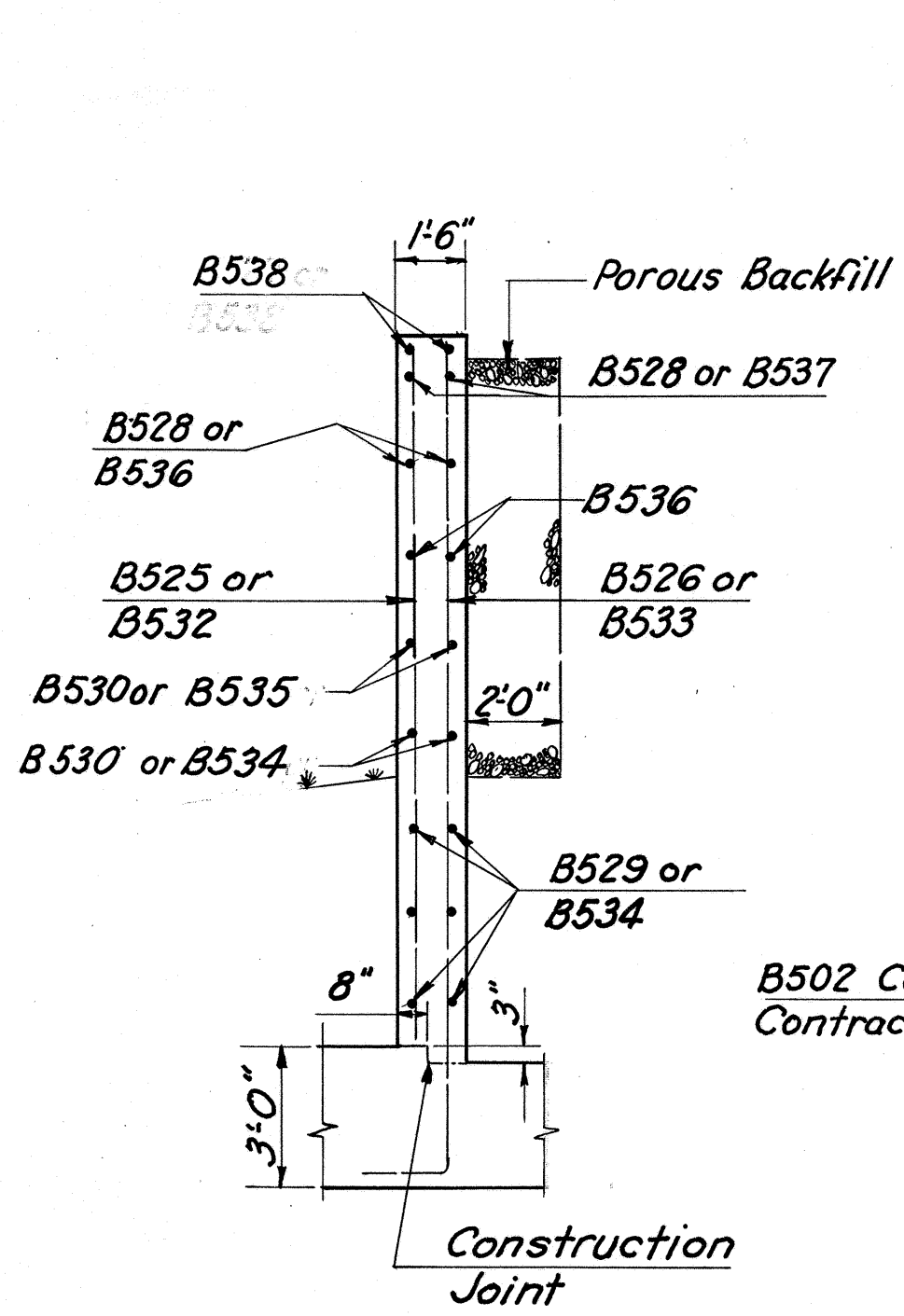
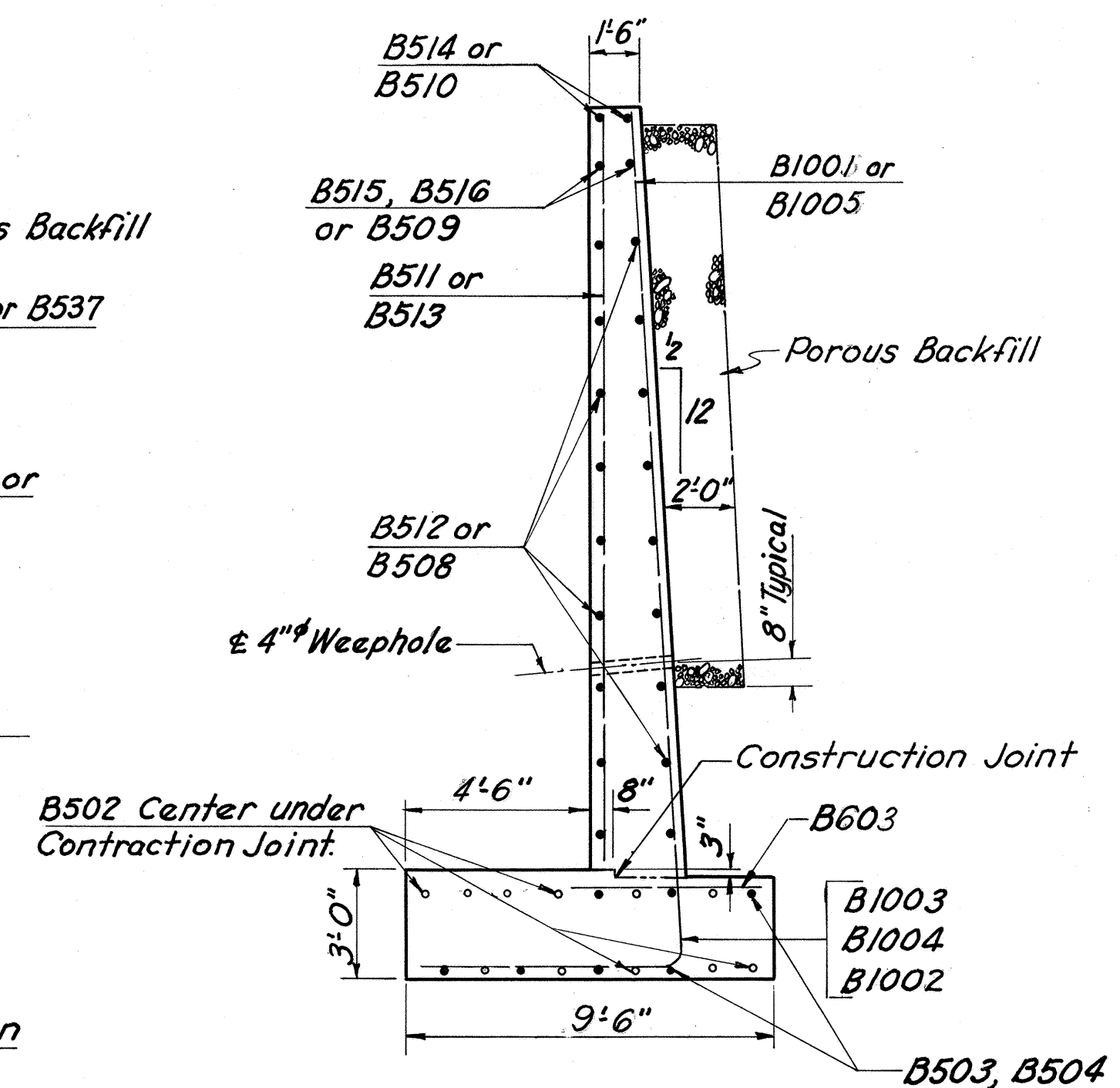


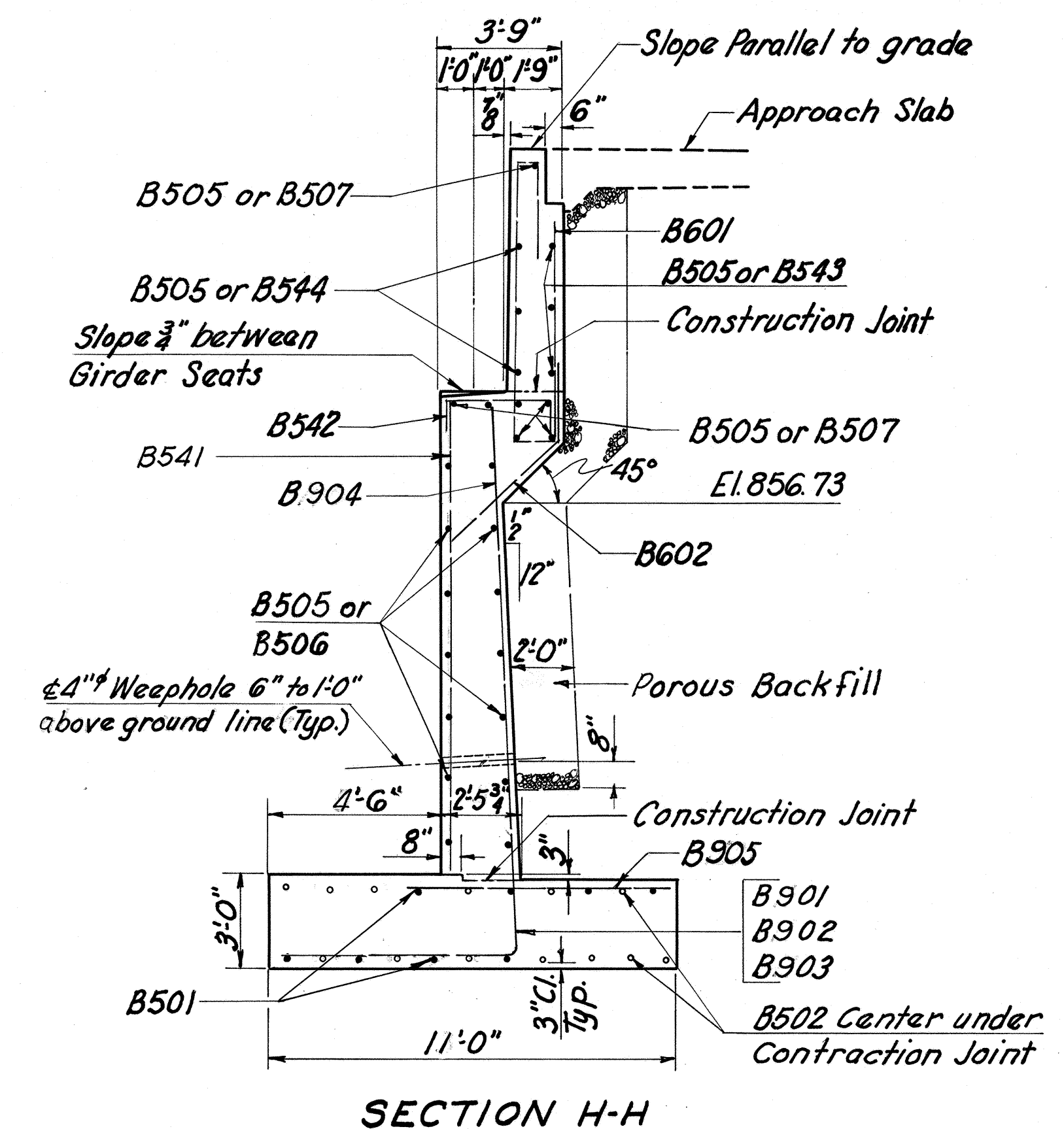
VIEW L-L



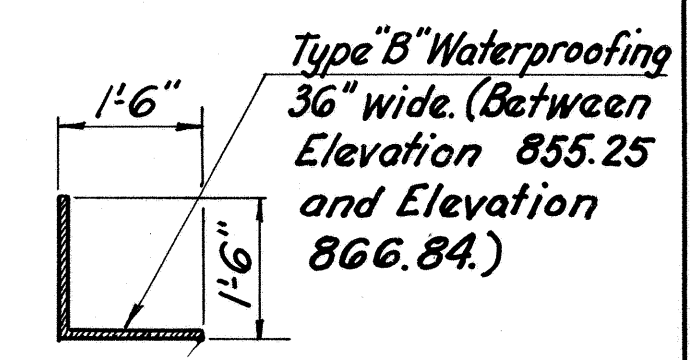
SECTION K-K



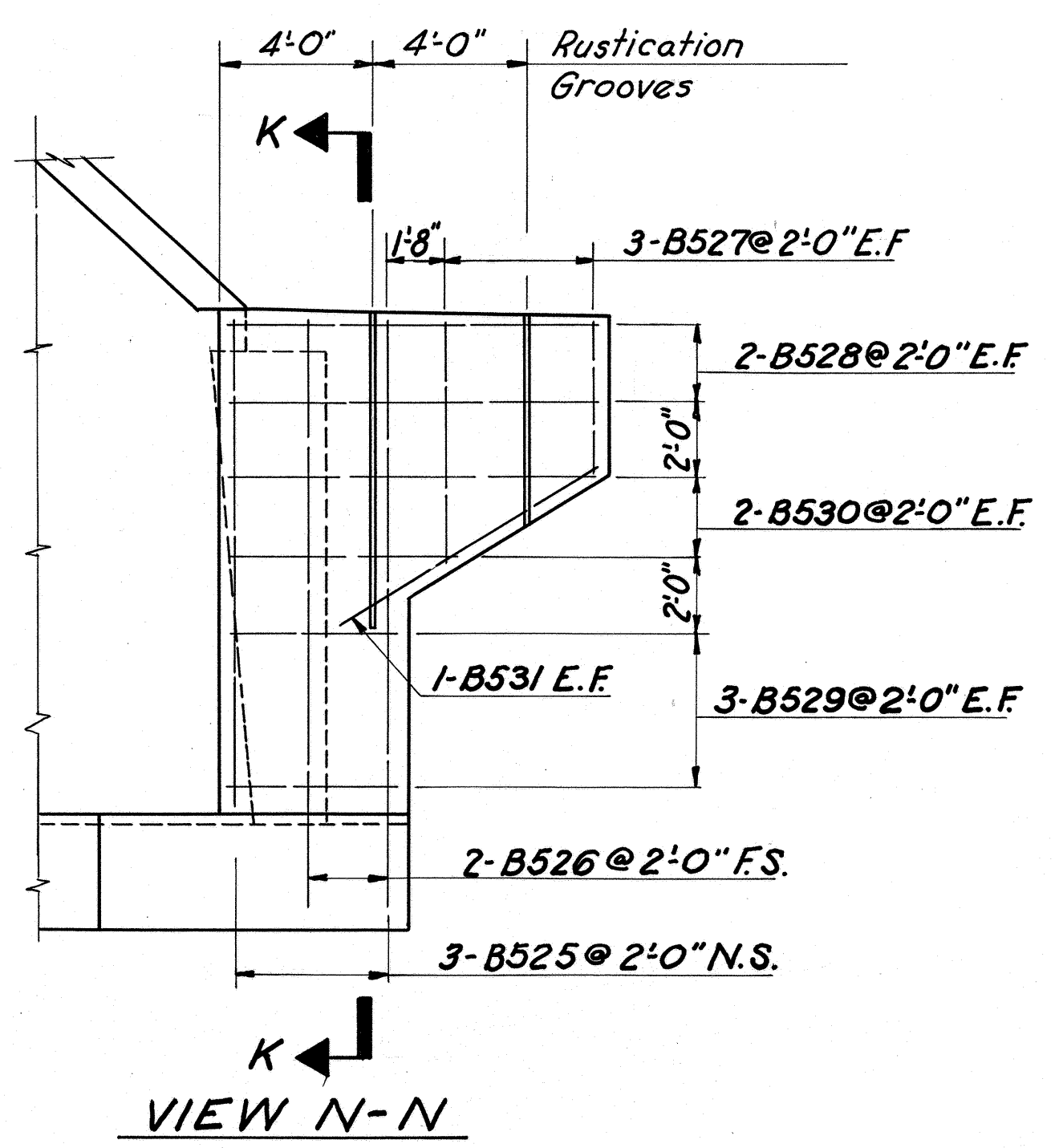
SECTION J-J



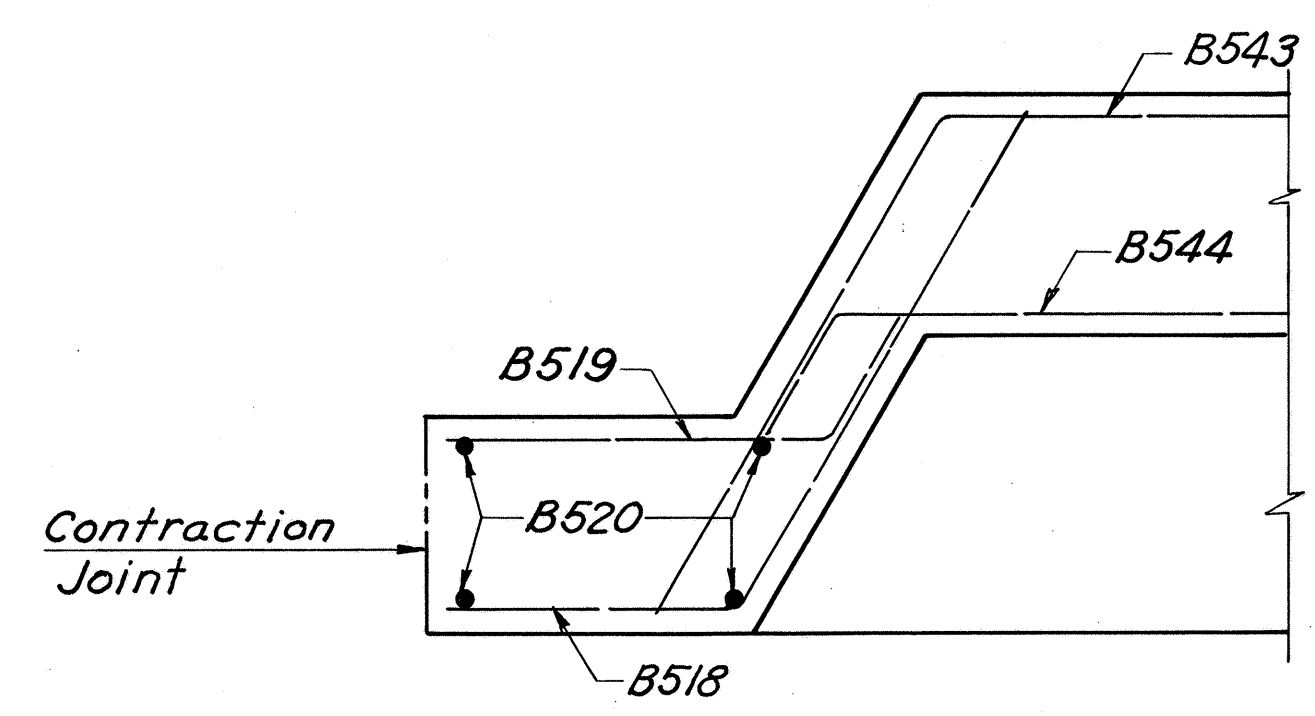
SECTION H-H



SECTION P-P



VIEW N-N



SECTION S-S

NOTES:

- All concrete shall be Class "E".
- Porous backfill 2 feet thick, full length of the abutments and wings (except as shown) shall extend up to the underside of the approach slab or to the finished ground surface.
- For details of rustication grooves and construction joints see Sheet N^o 21

LEGEND

E.F. indicates Each Face
F.S. indicates Far Side
N.S. indicates Near Side

MICHAEL BAKER, JR., CONSULTING ENGINEERS
ROCHESTER, PENNSYLVANIA

ABUTMENT "B" DETAILS
BRIDGE NO. JEF-152-0711
OVER CROSS CREEK

JEFFERSON COUNTY STA. 6+94.00
STA. 7+89.20

DESIGNED	DRAWN	TRACED	CHECKED	REVIEWED DATE	REVISED
E.F.R.	E.F.R.	R	A.A.L.	11-1-60	